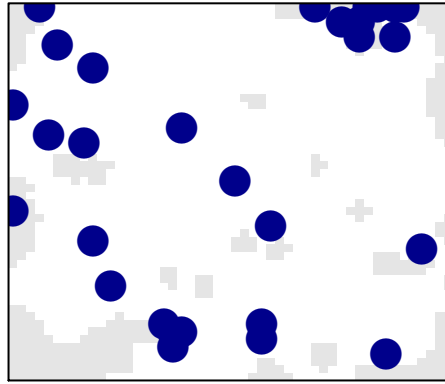
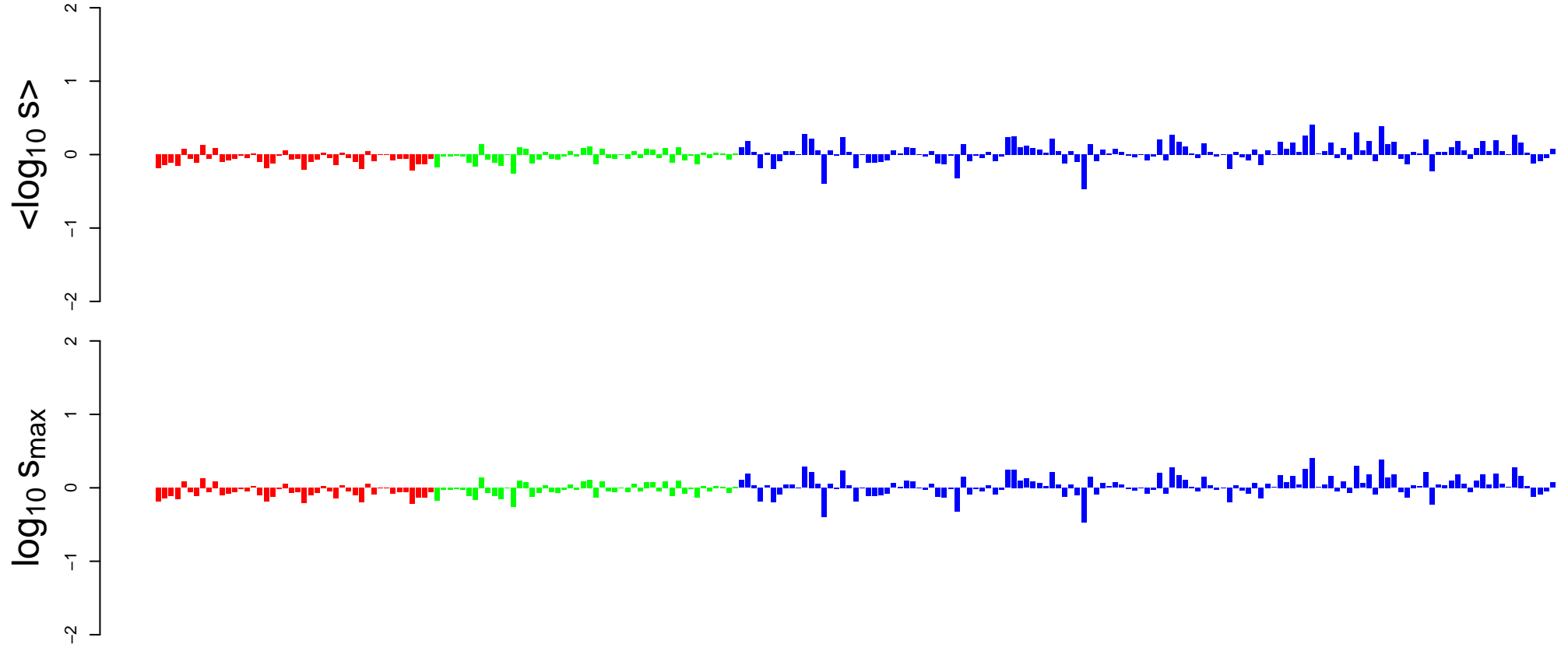


Fatty acid elongation

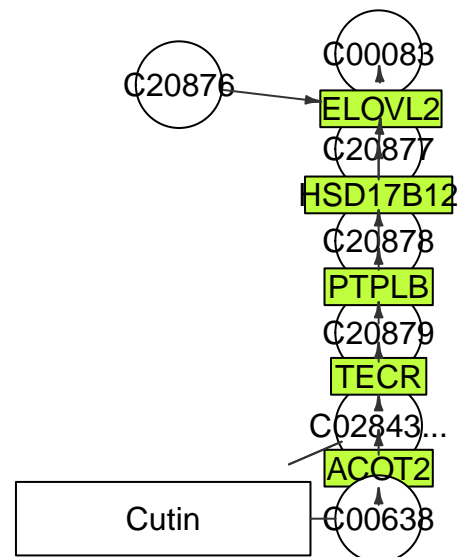
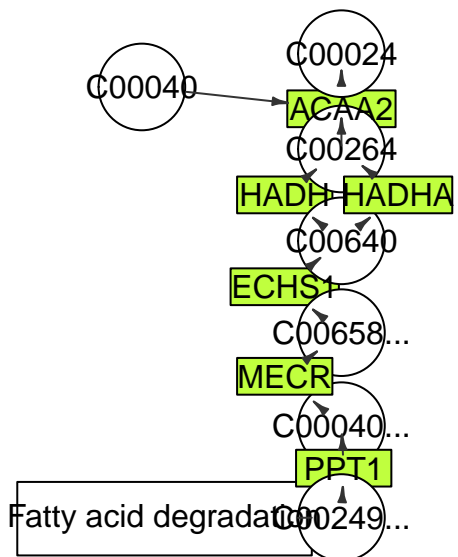
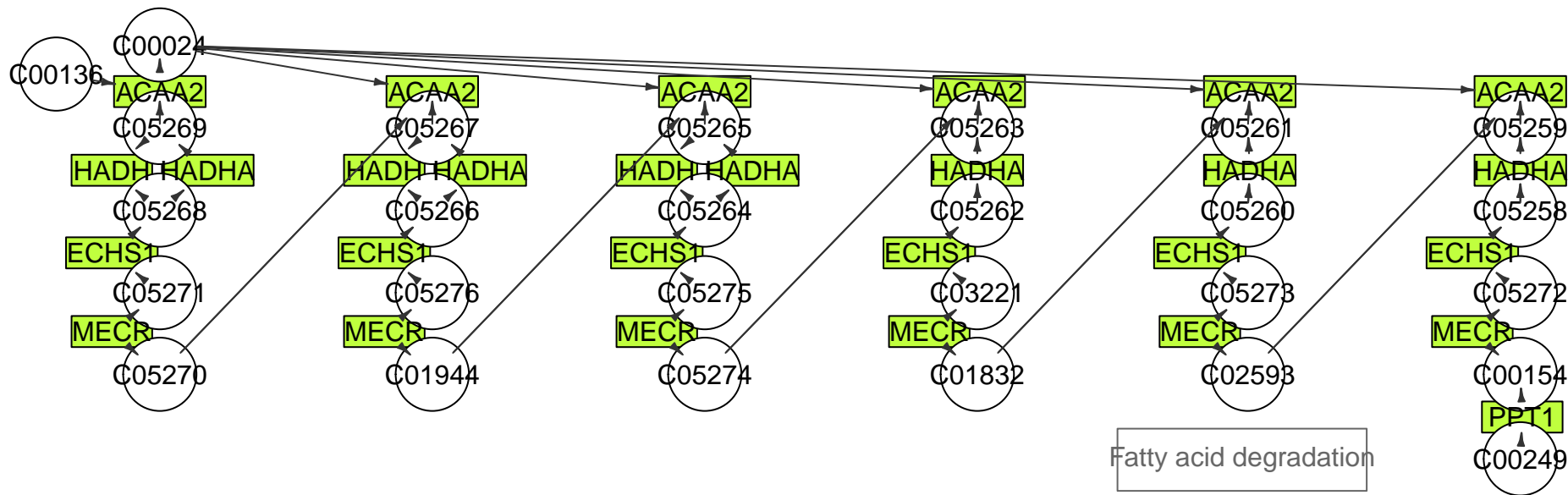
all genes

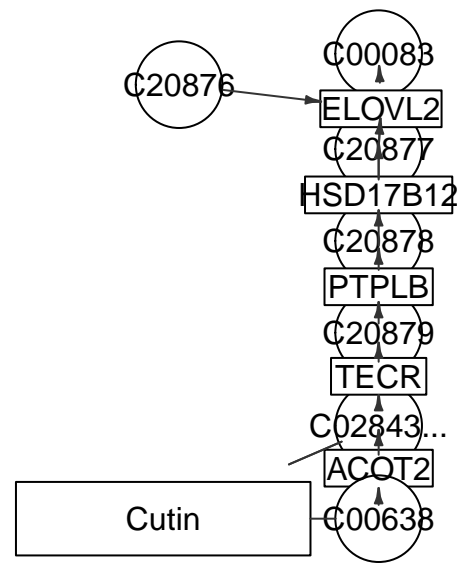
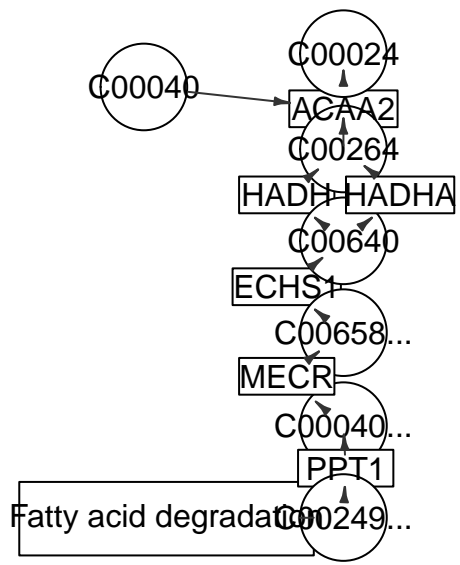
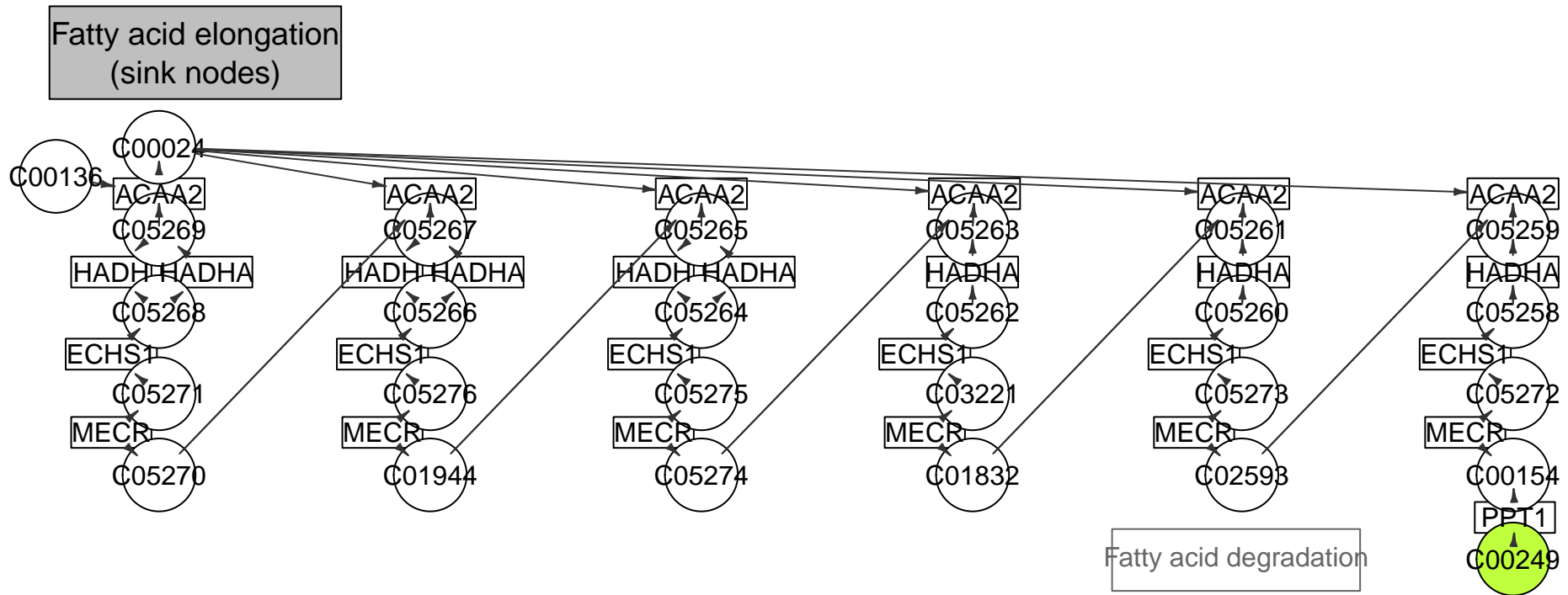


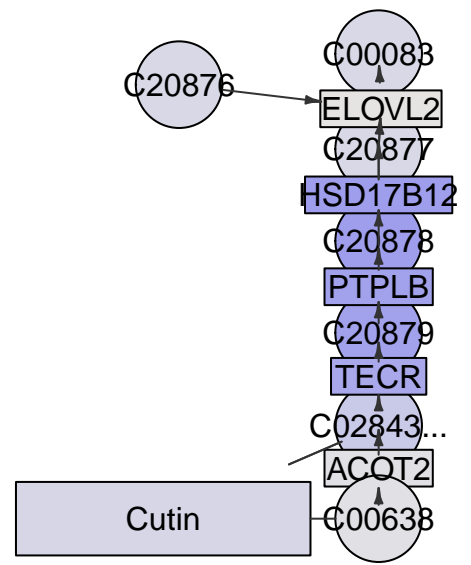
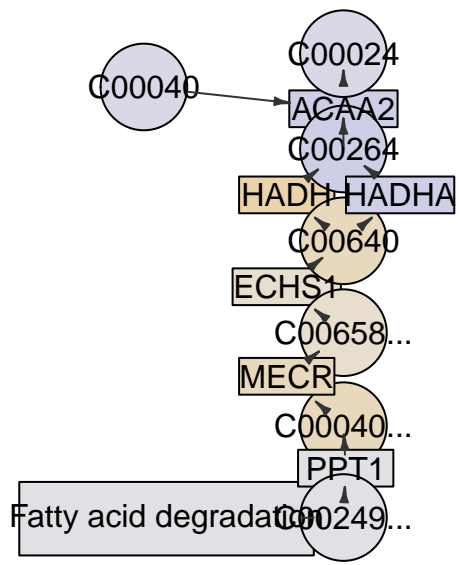
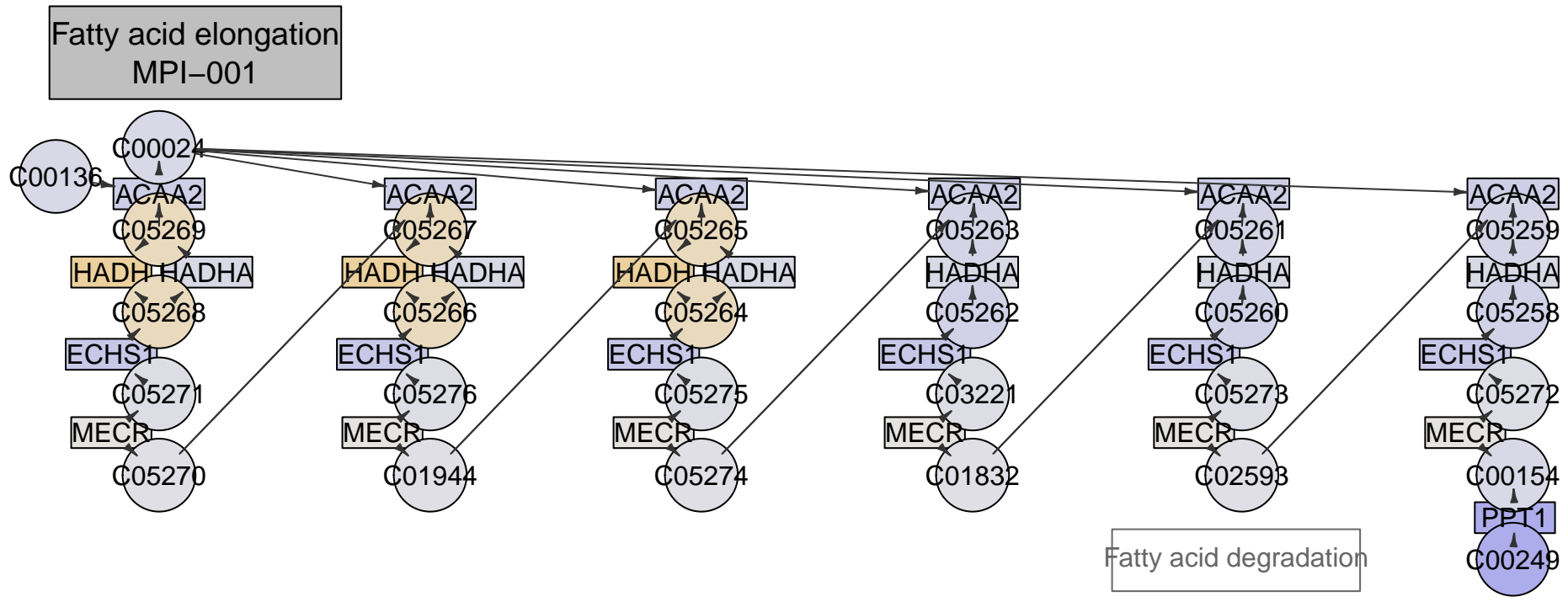
maximum = 1



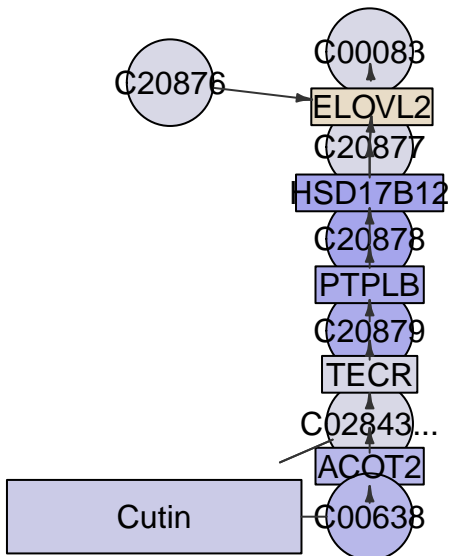
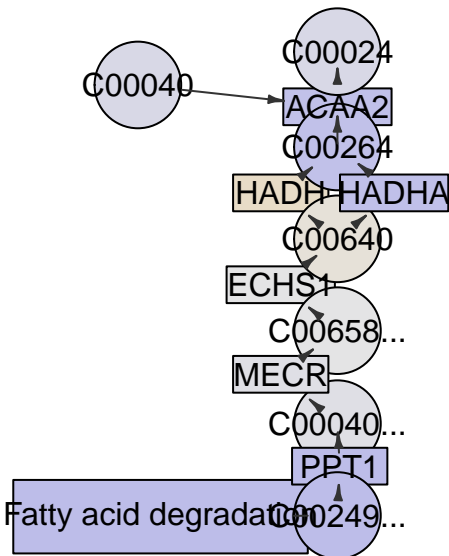
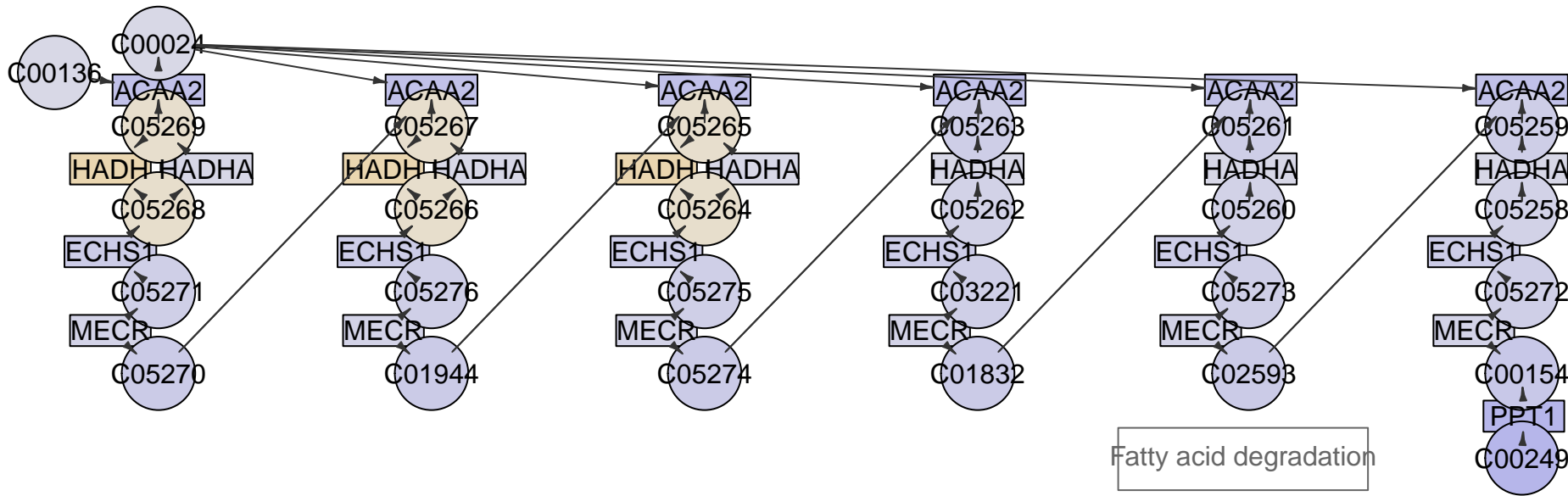
Fatty acid elongation
(genes with data)

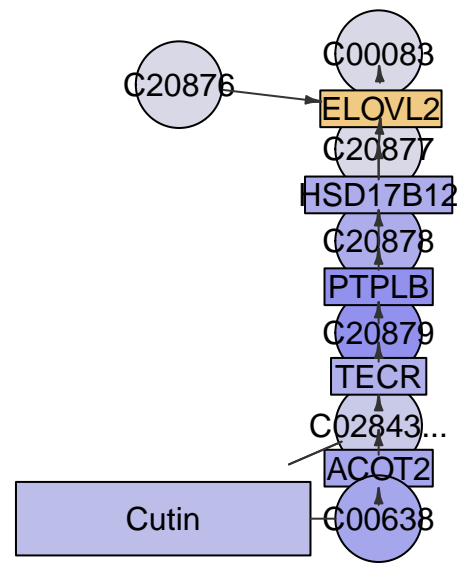
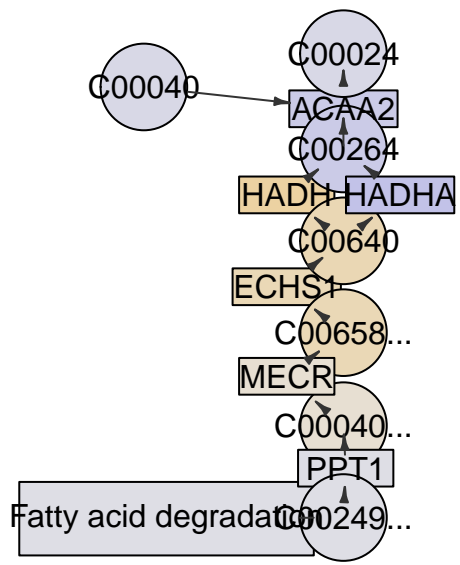
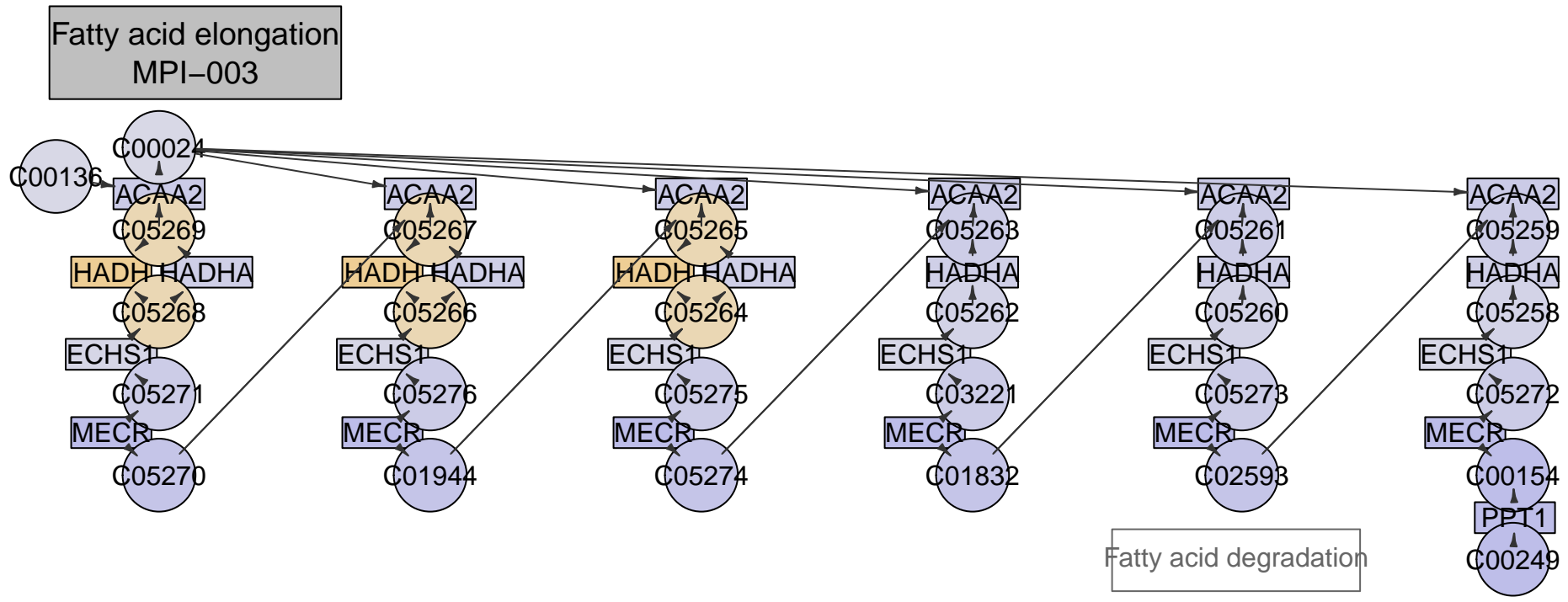


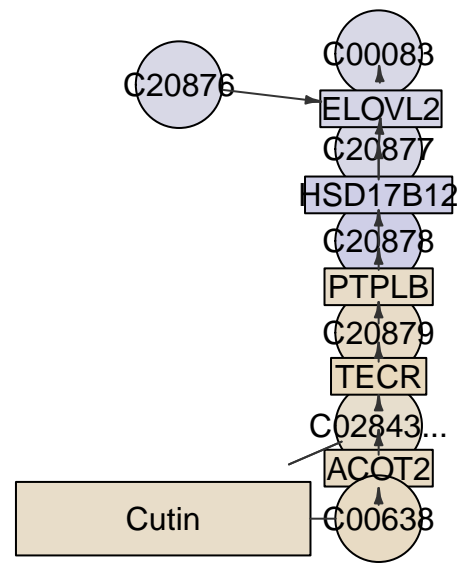
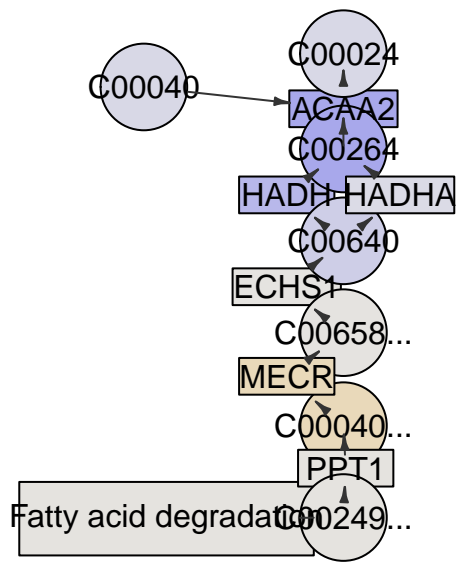
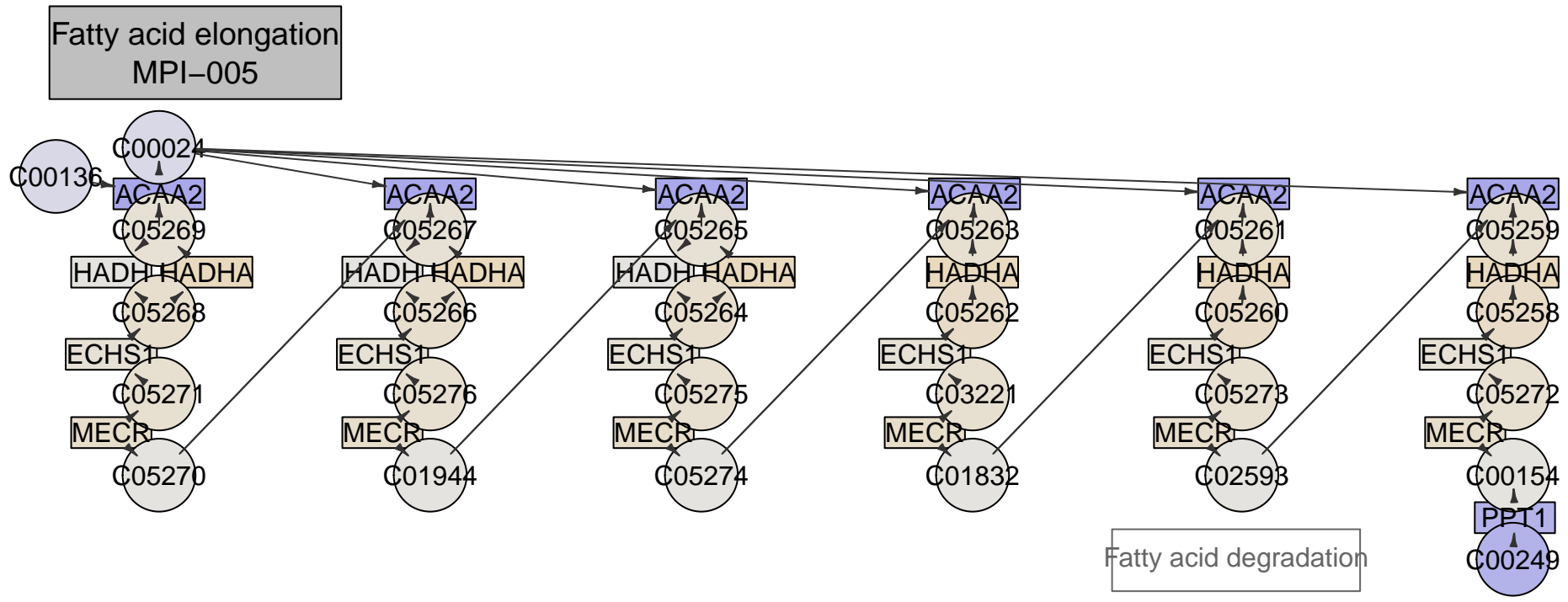


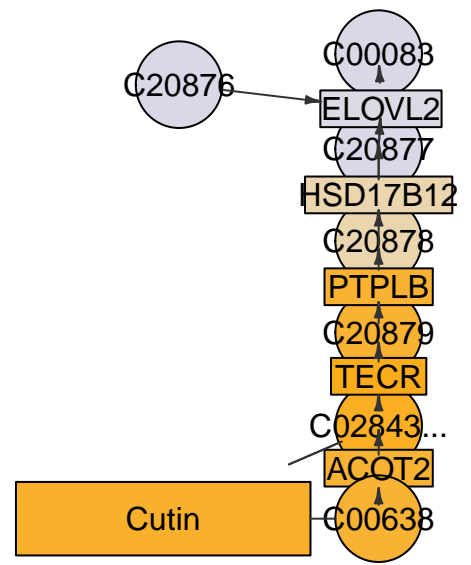
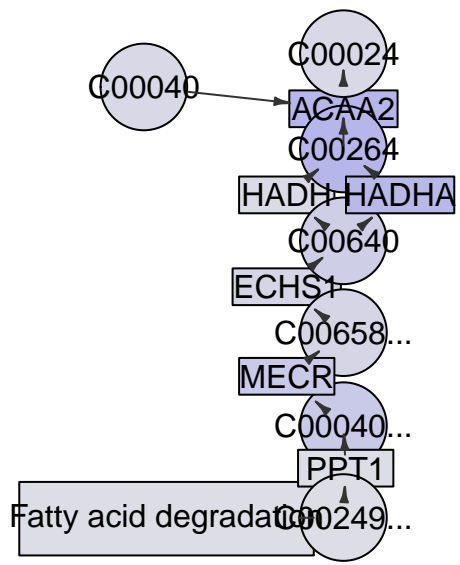
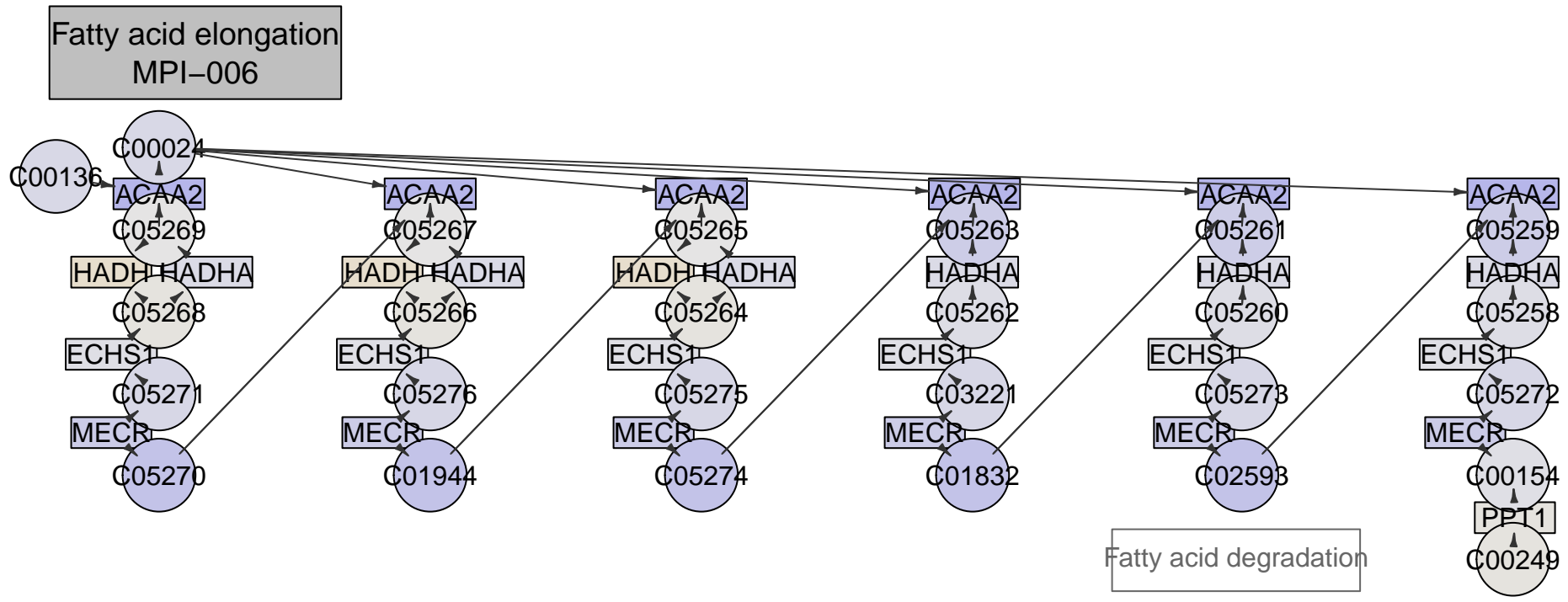


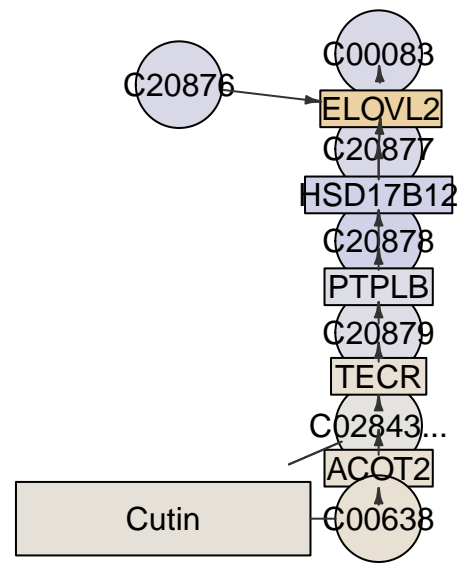
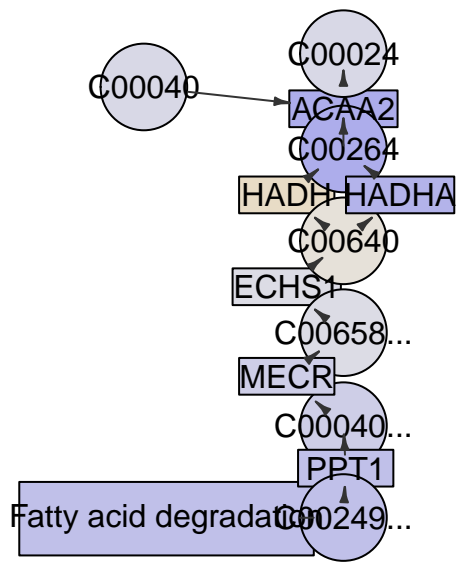
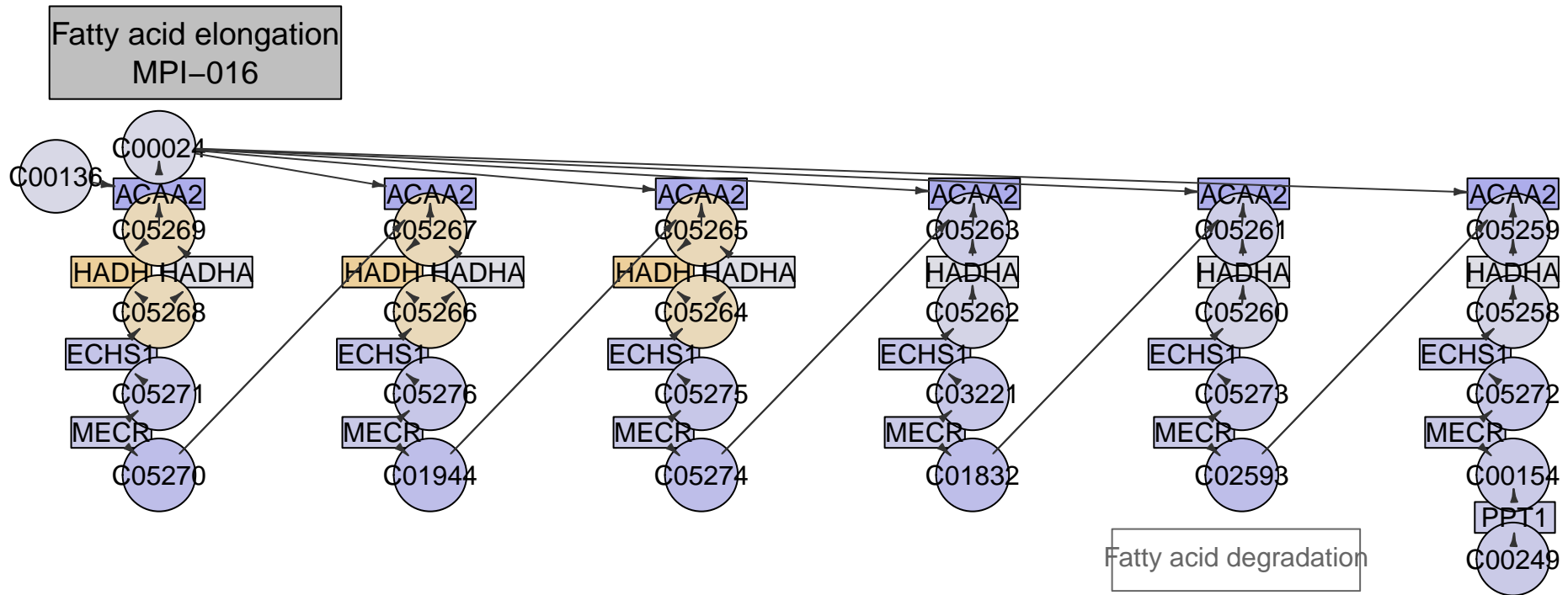
Fatty acid elongation
MPI-002

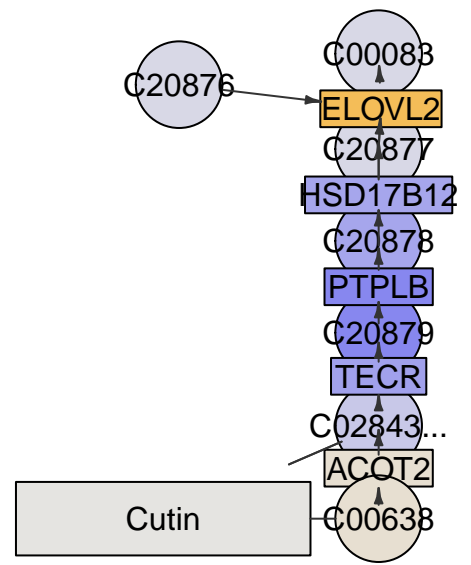
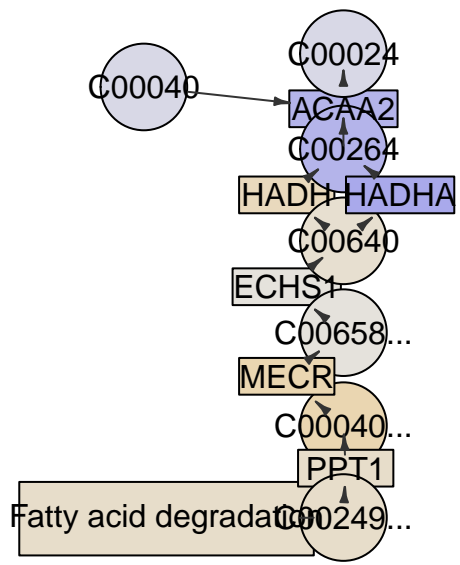
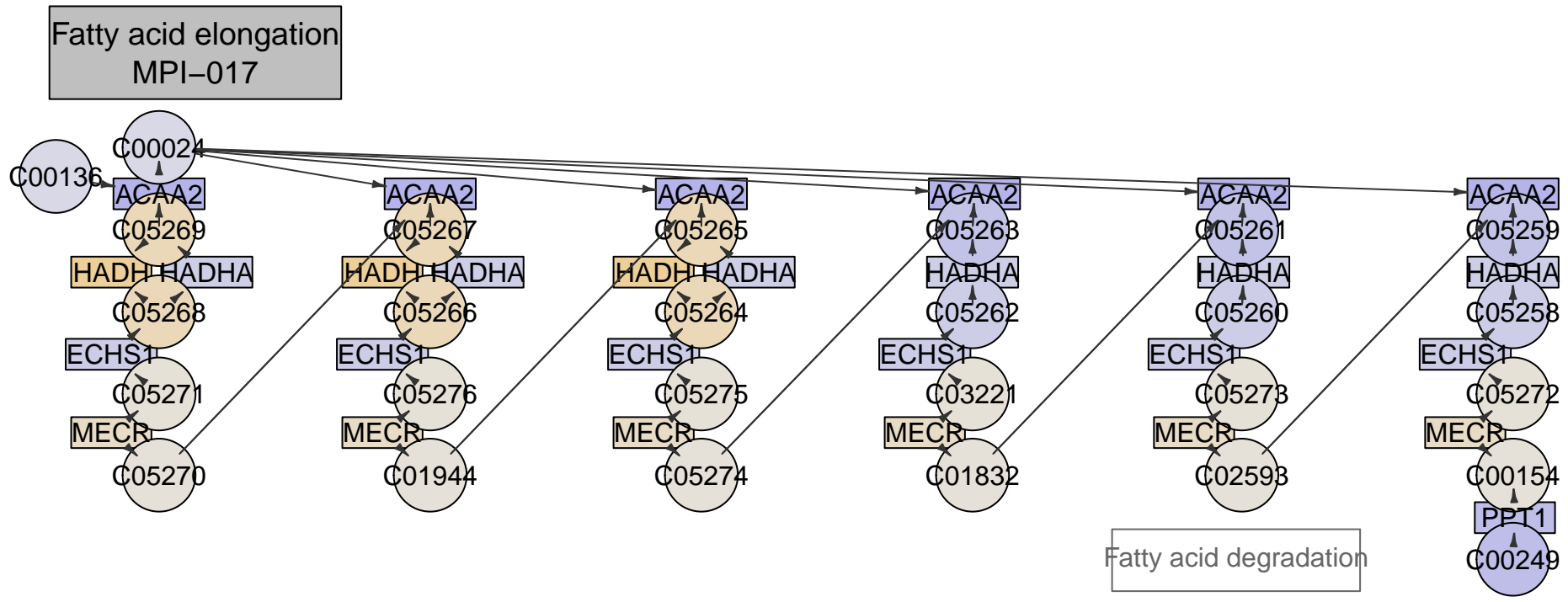


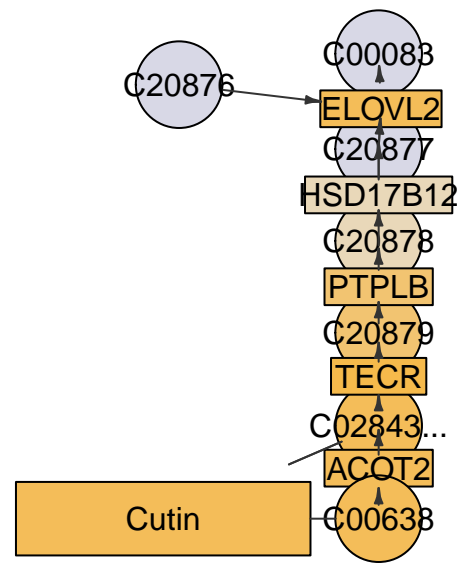
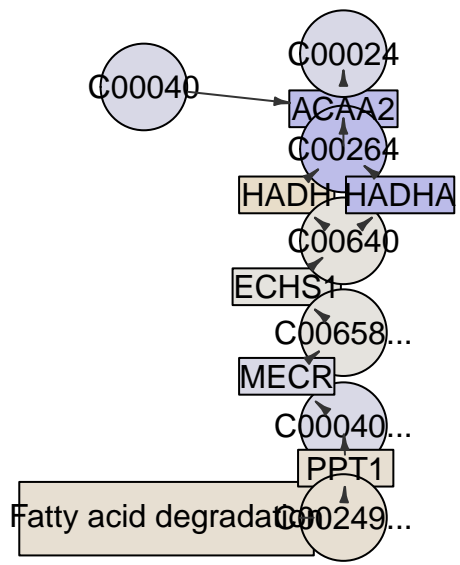
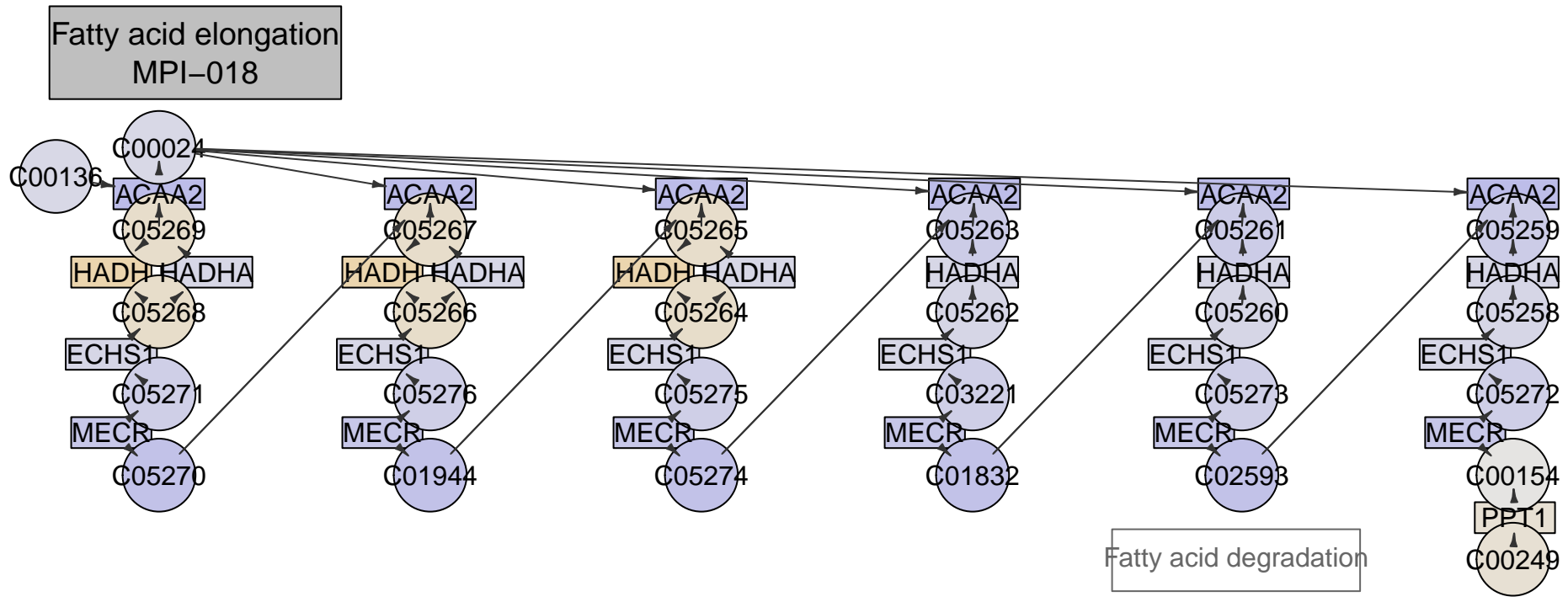


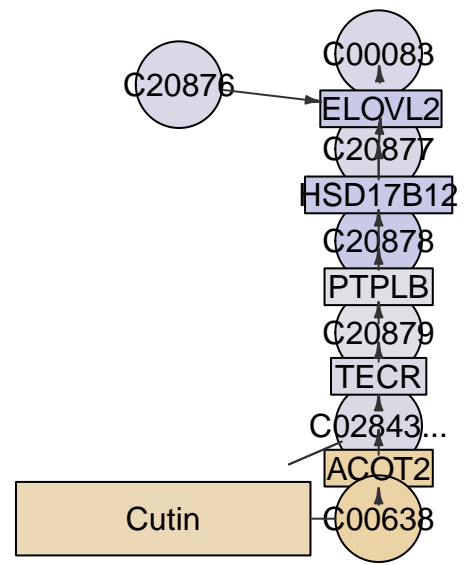
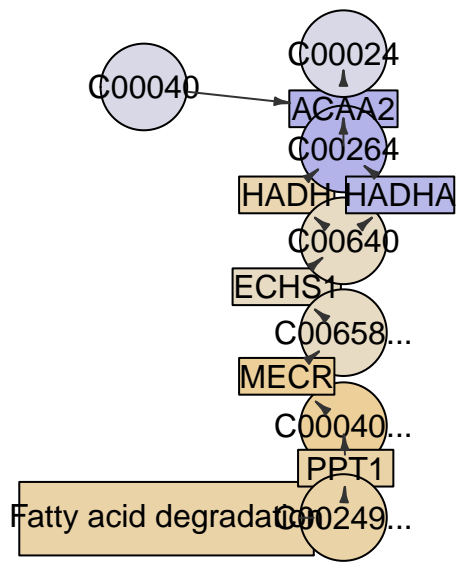
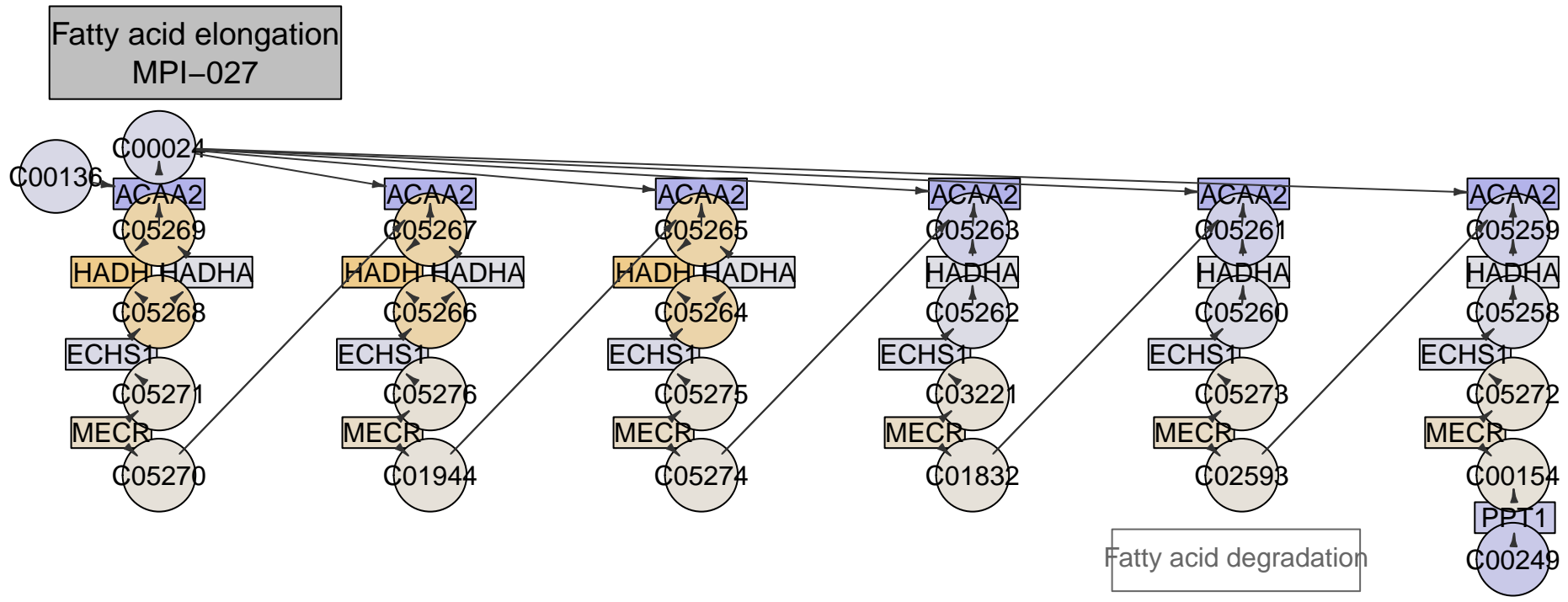


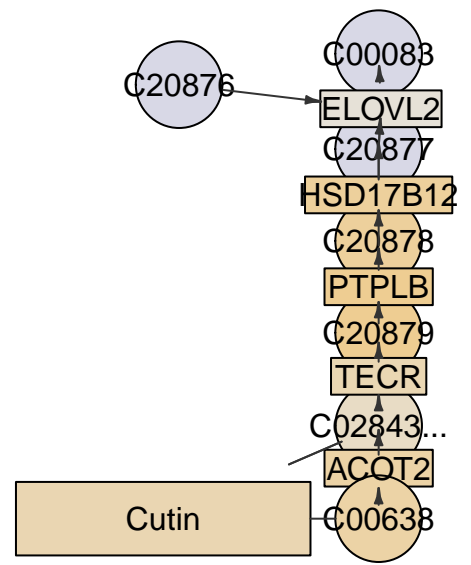
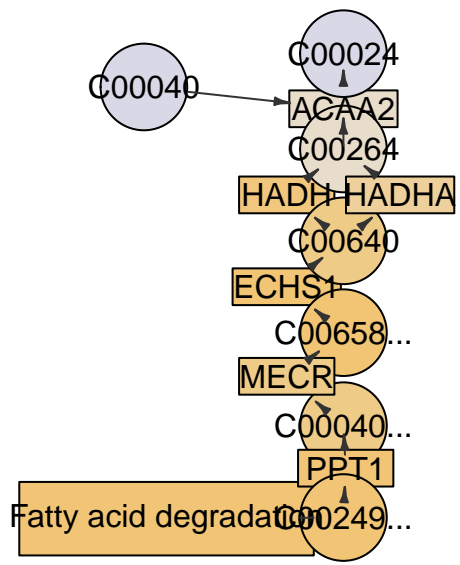
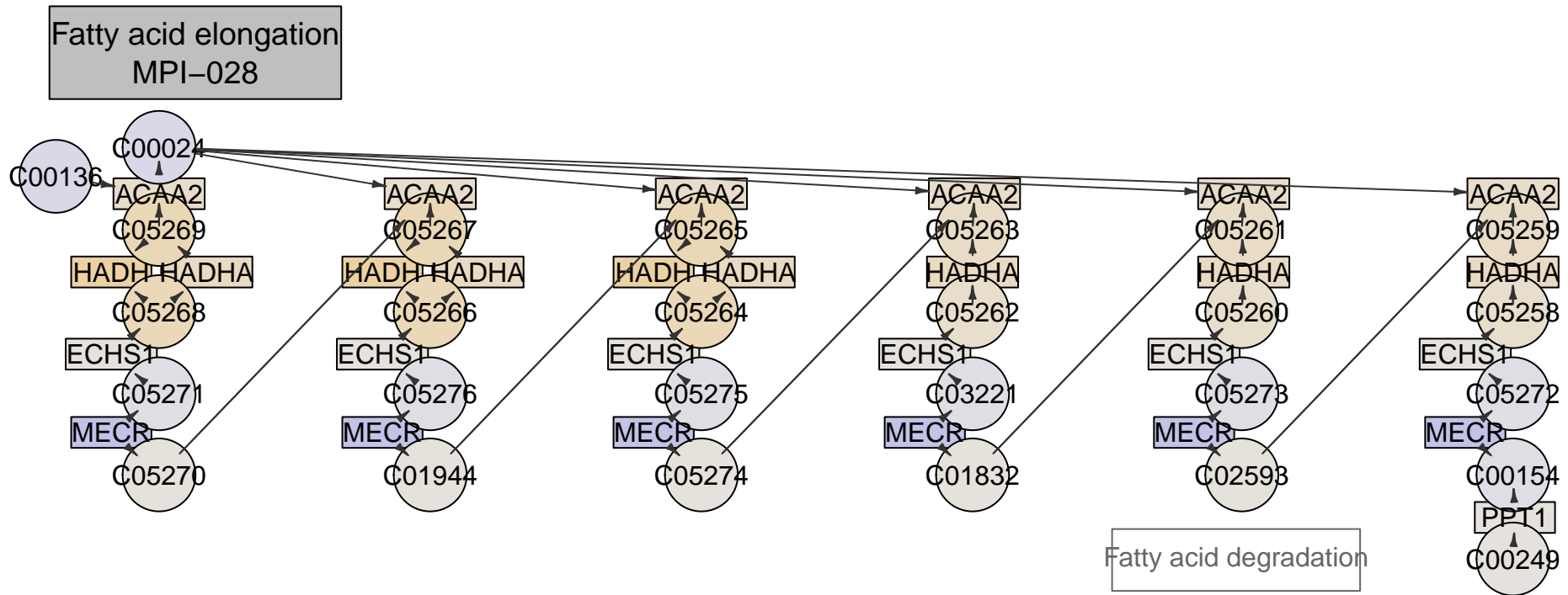


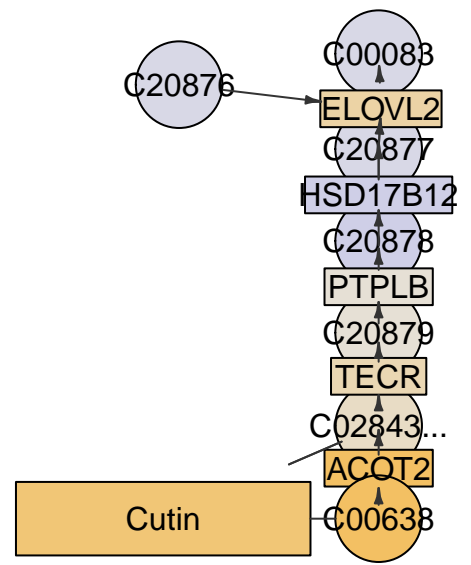
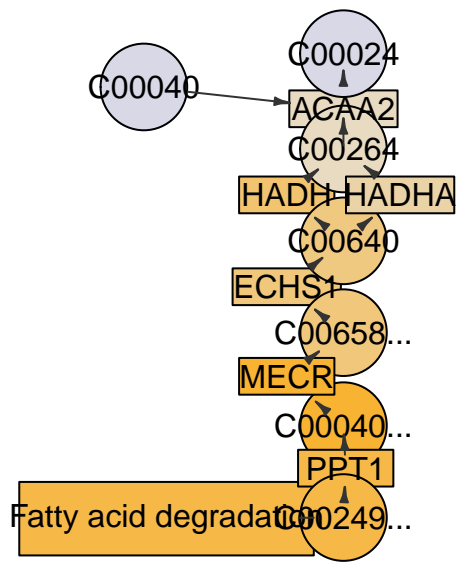
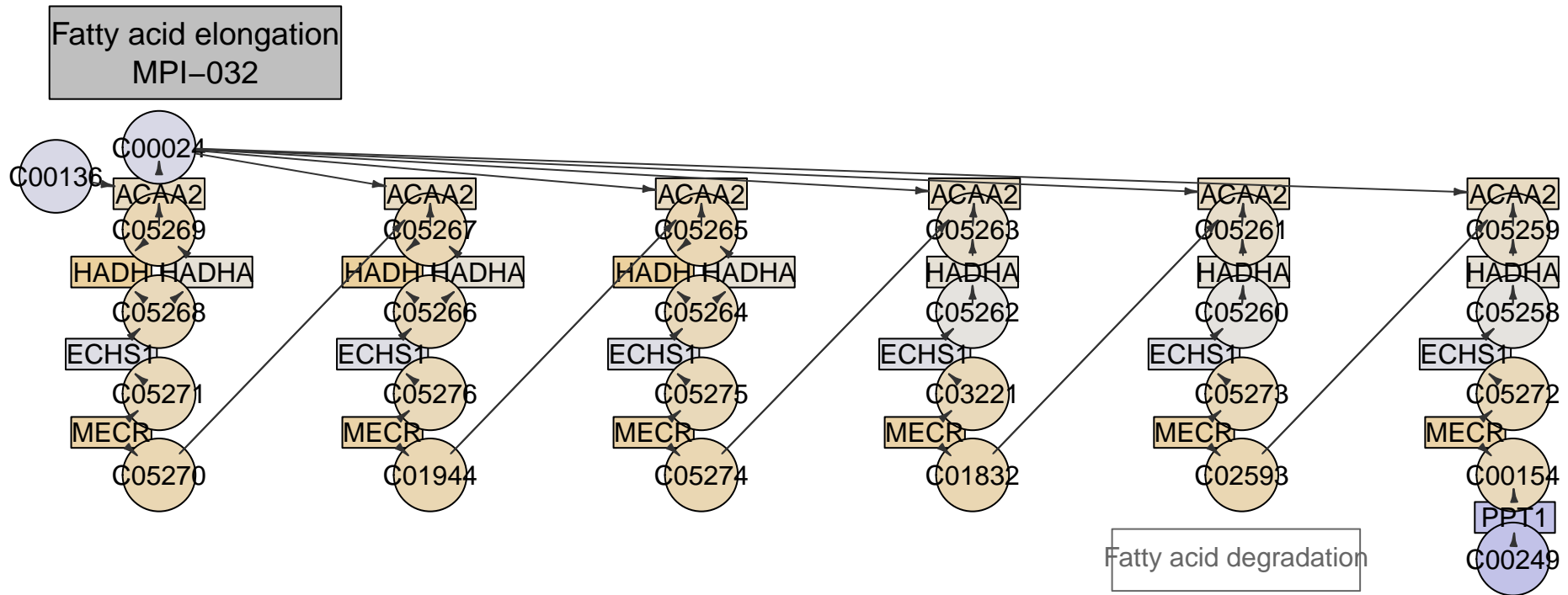


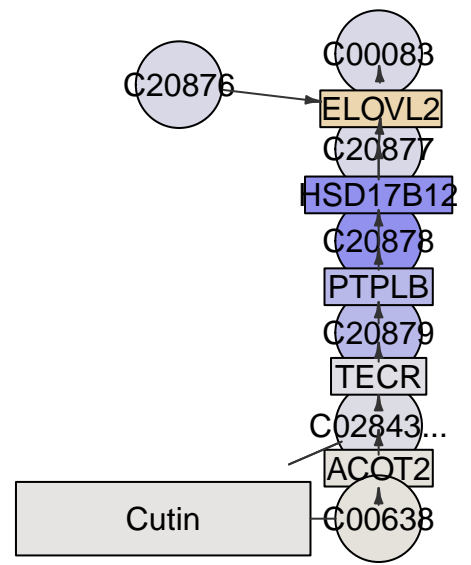
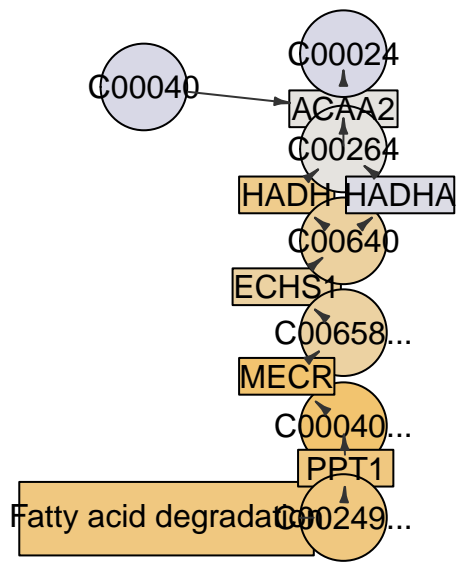
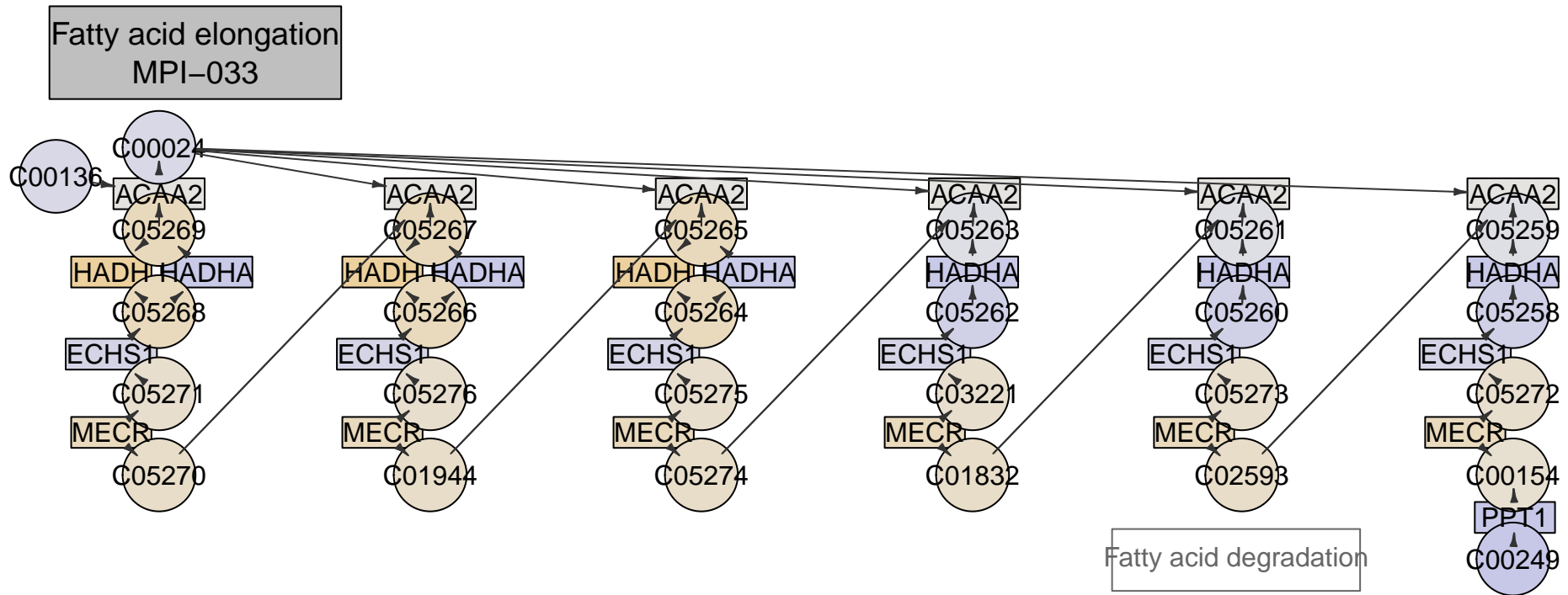




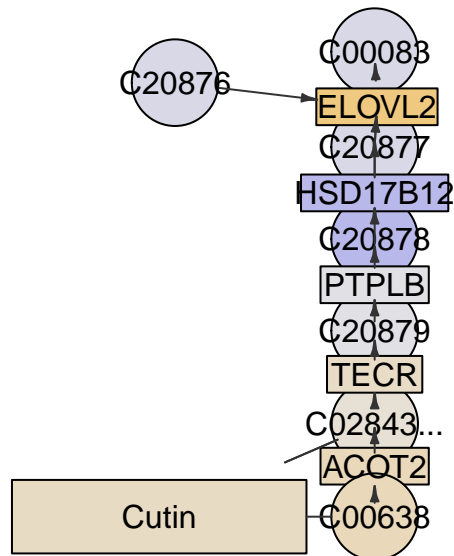
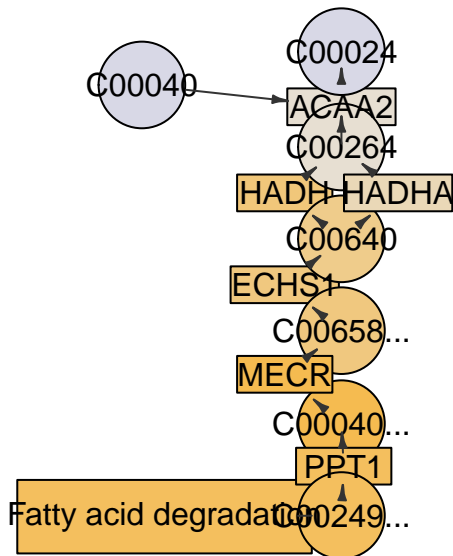
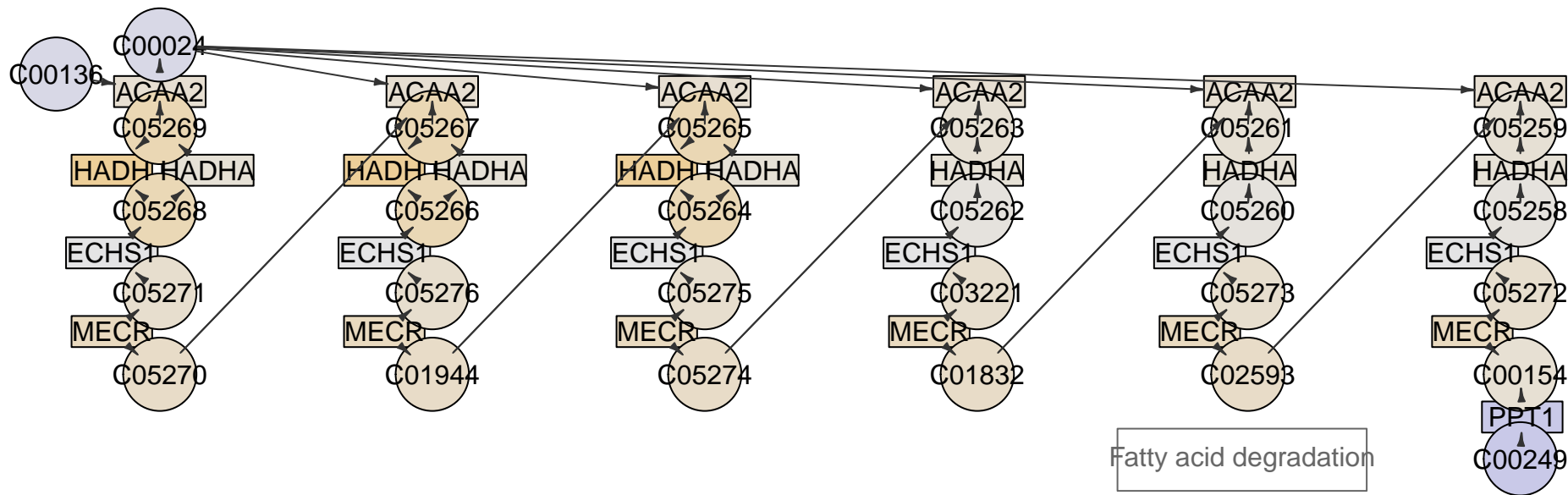


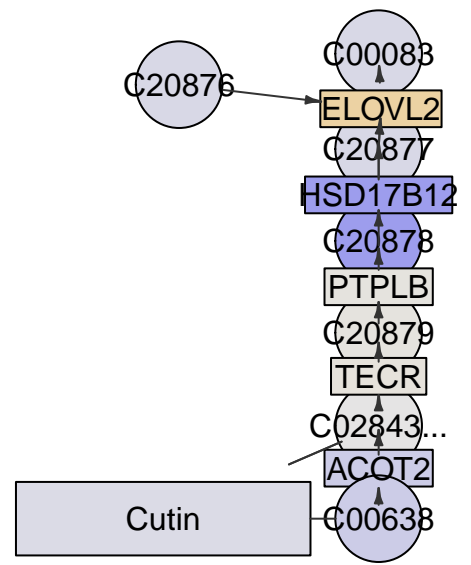
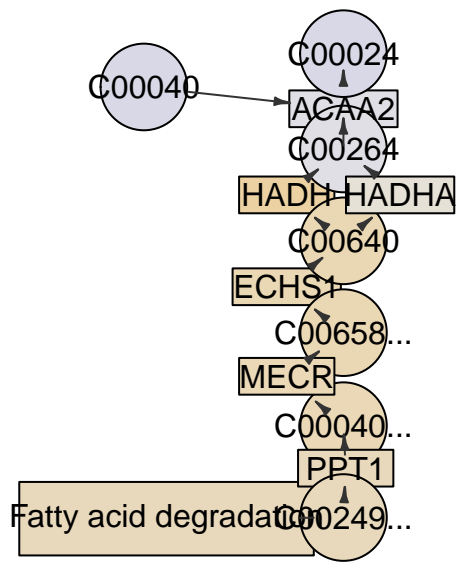
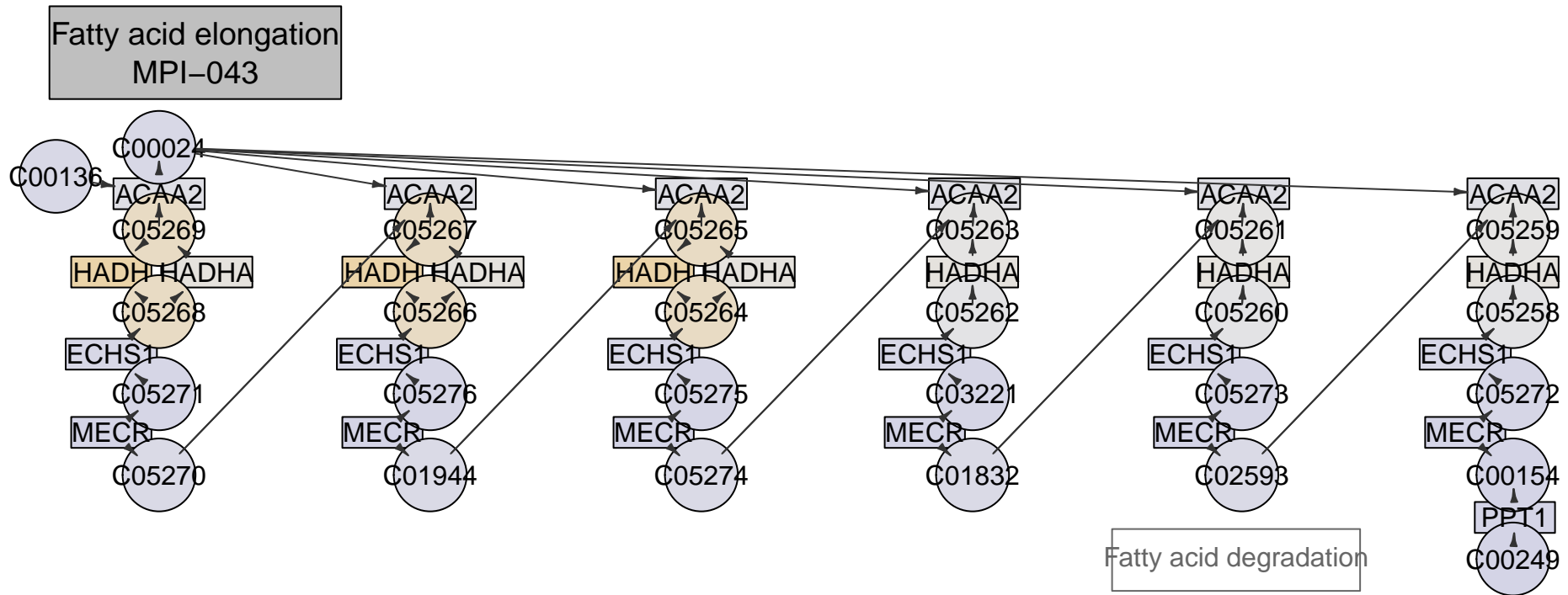


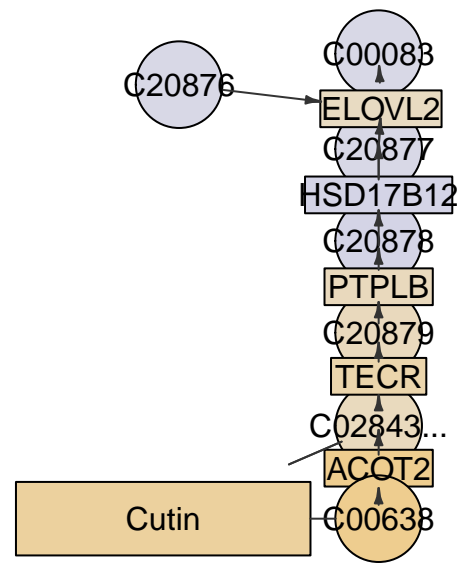
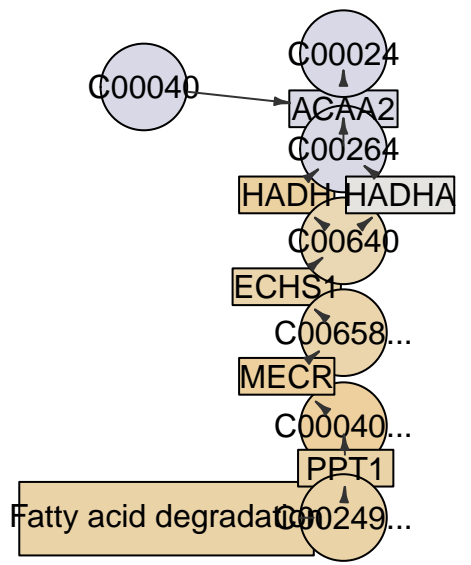
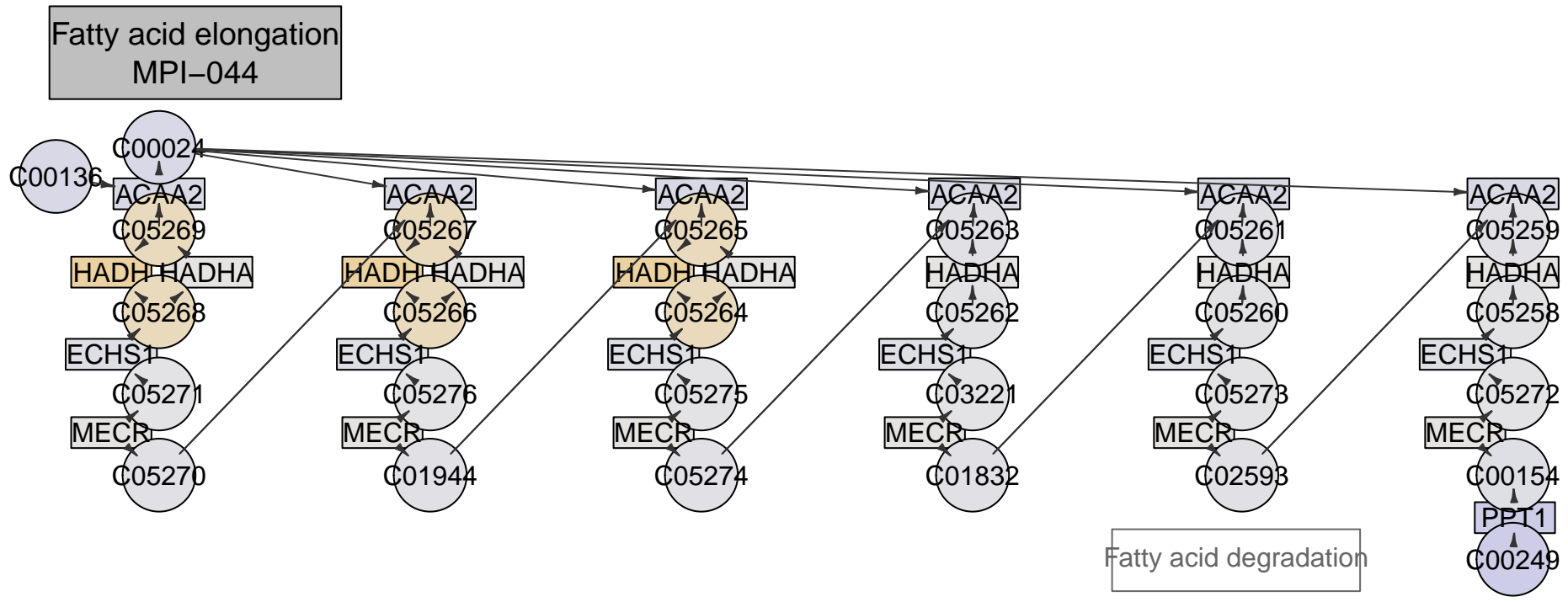


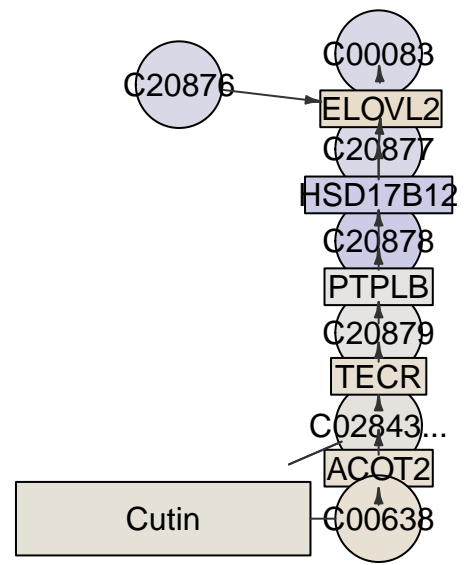
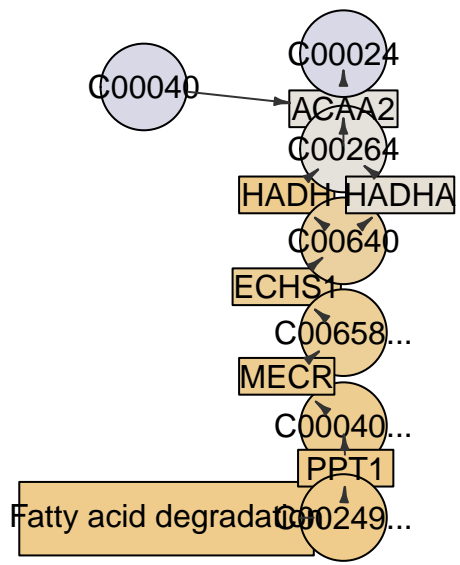
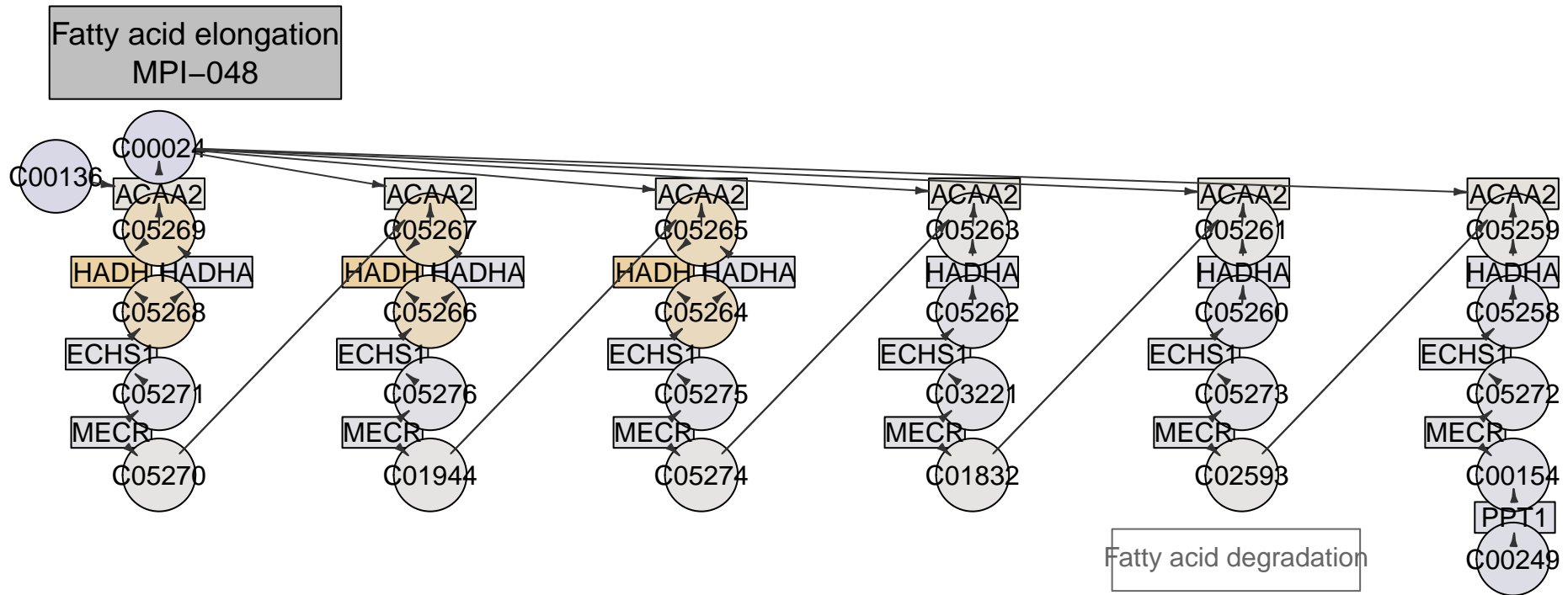


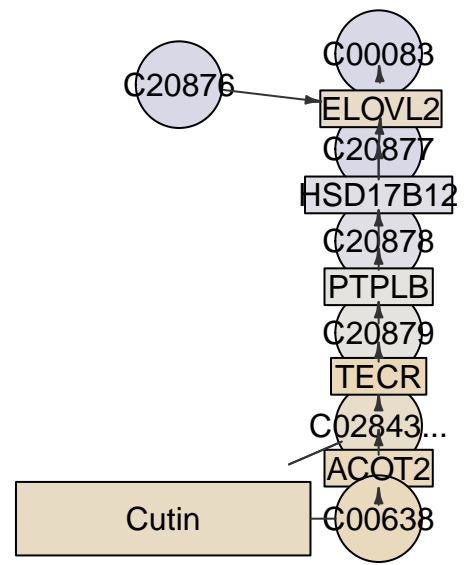
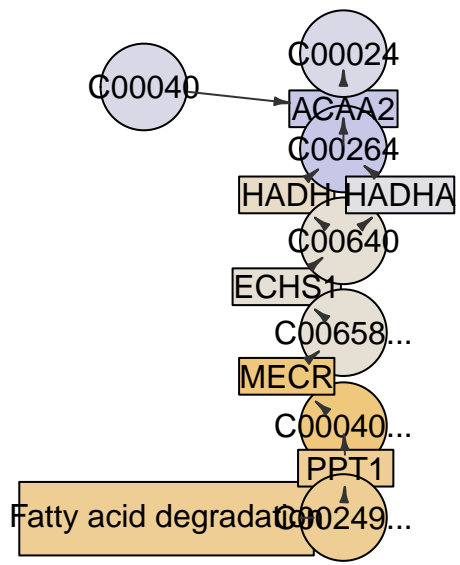
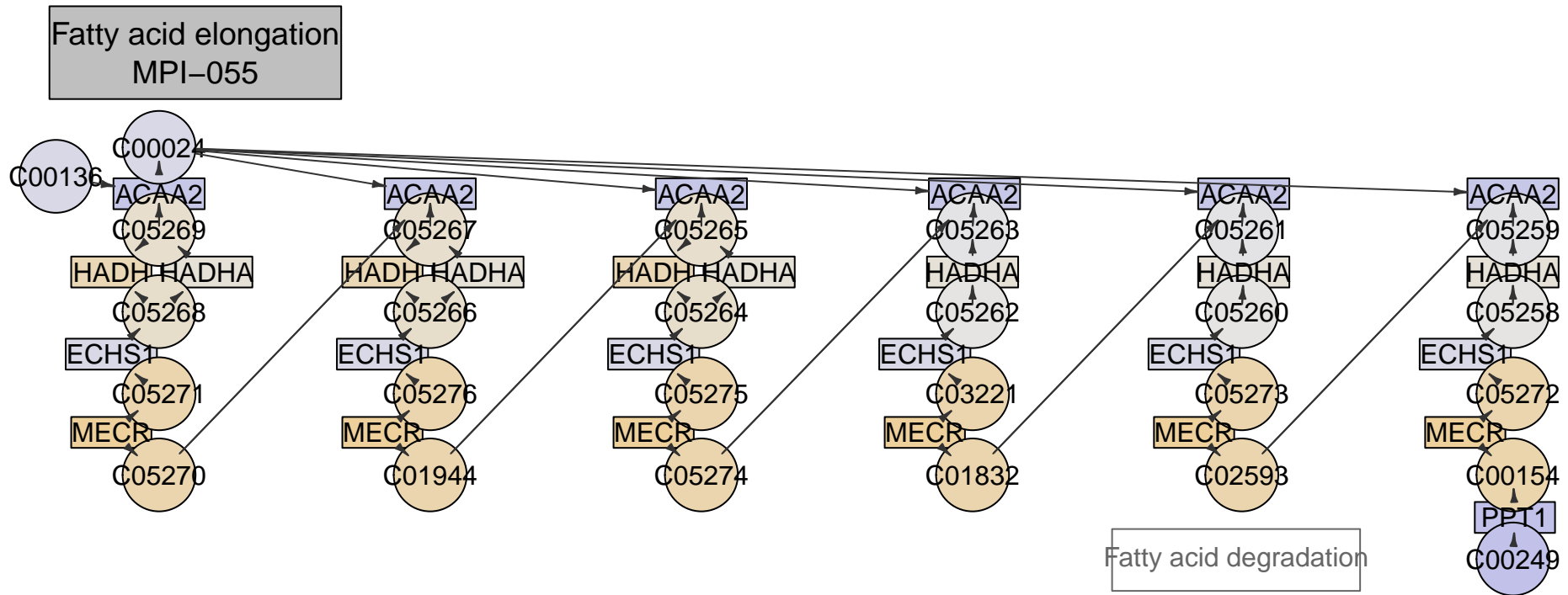
Fatty acid elongation
MPI-034



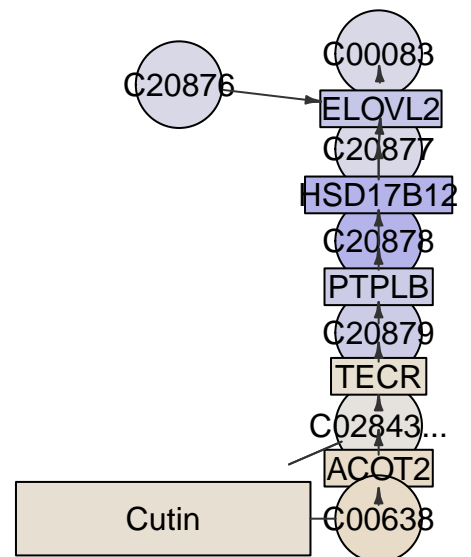
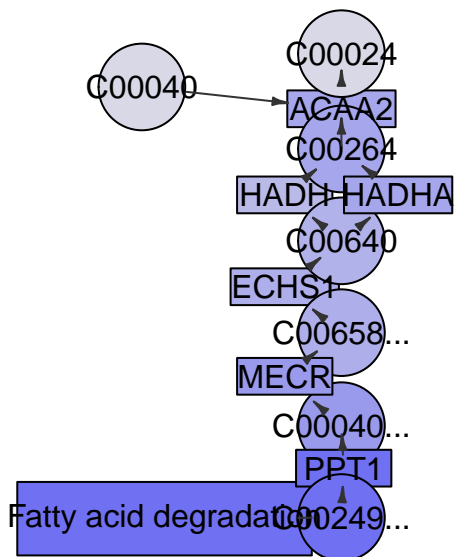
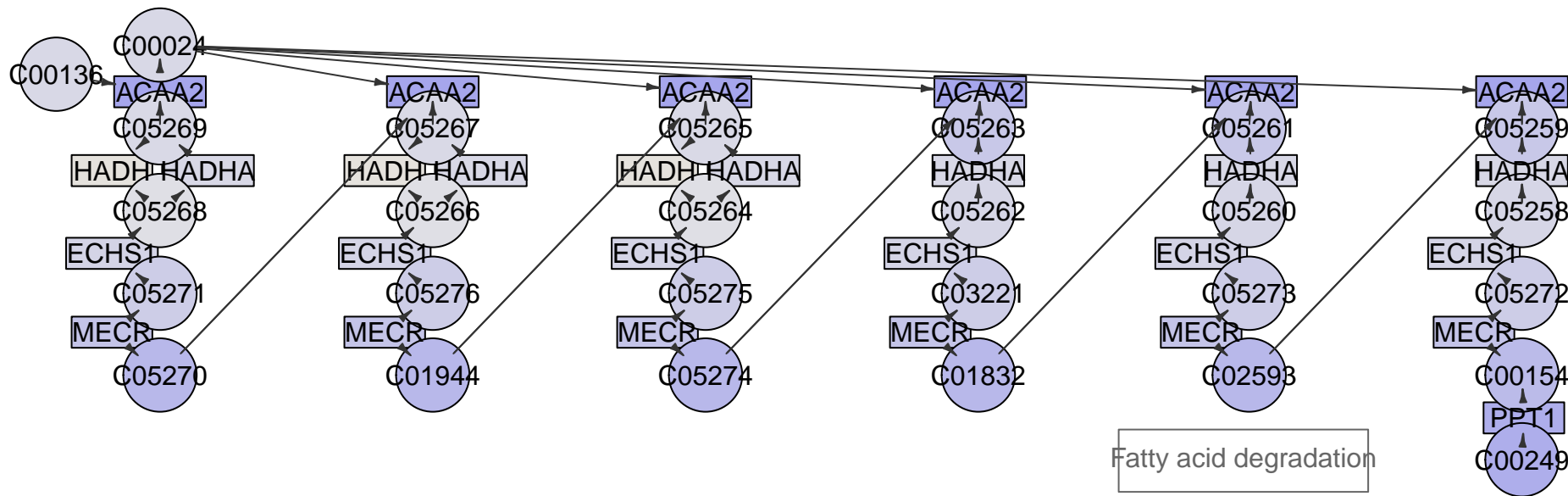




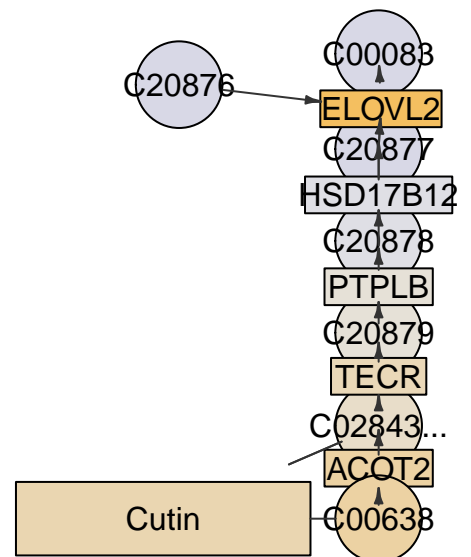
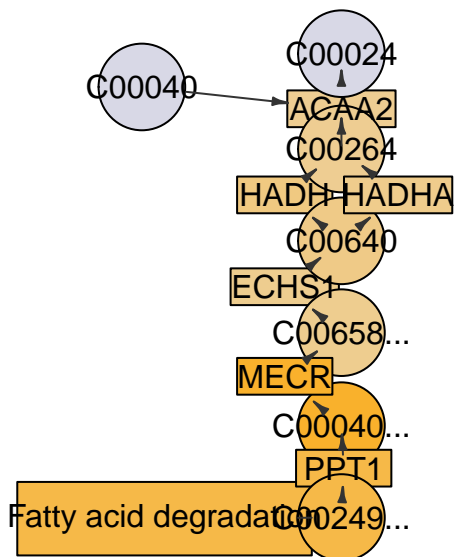
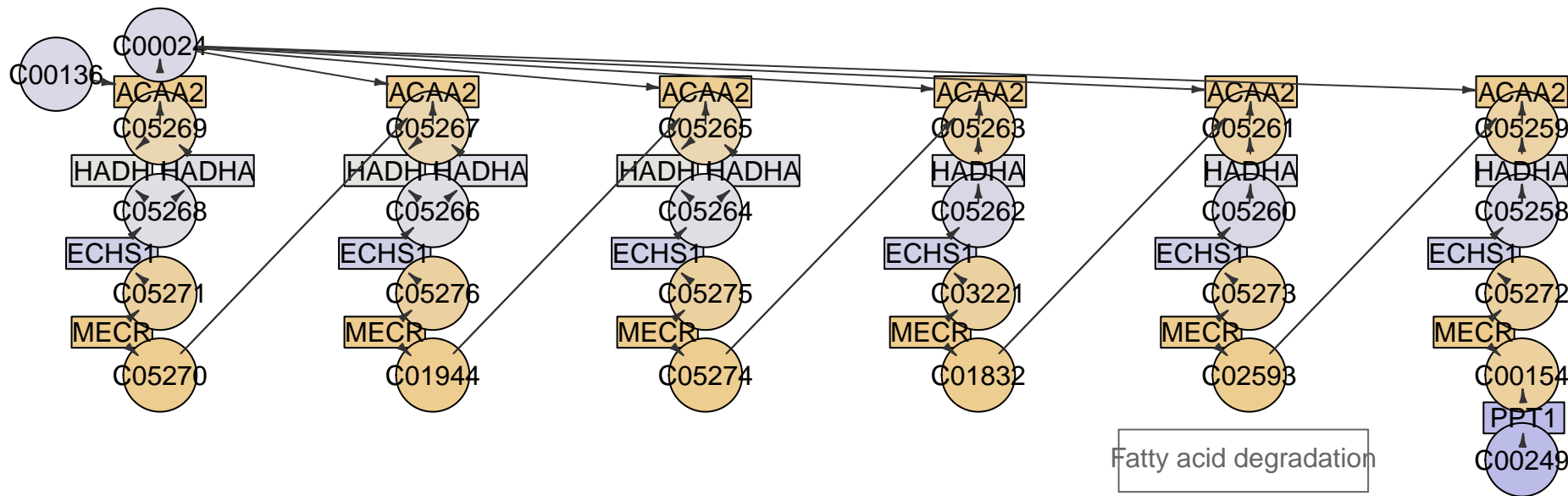


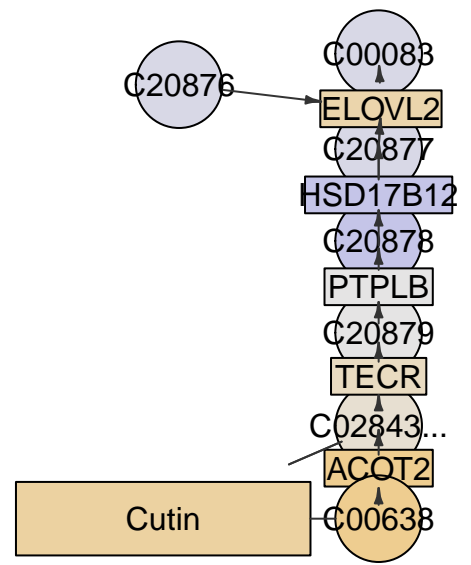
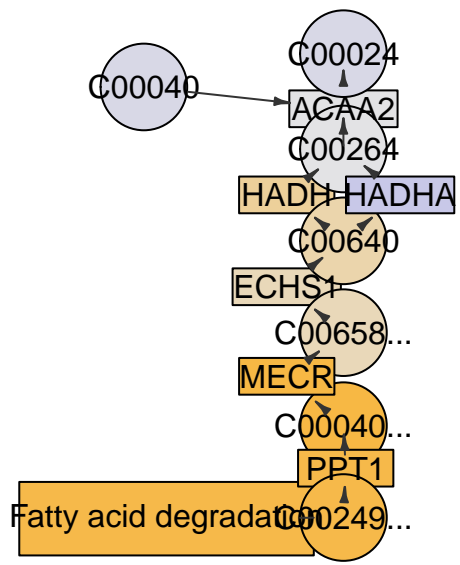
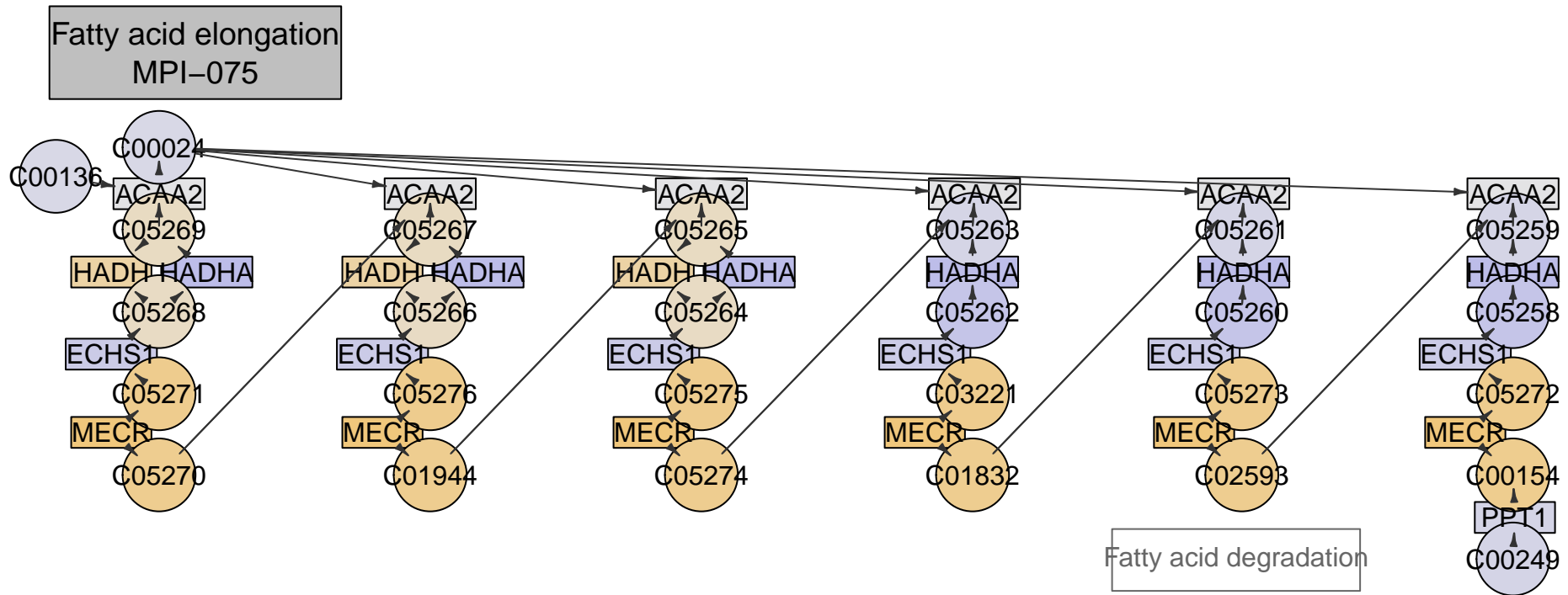


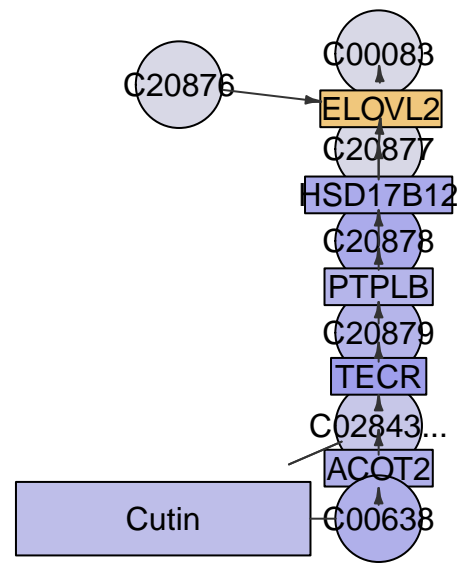
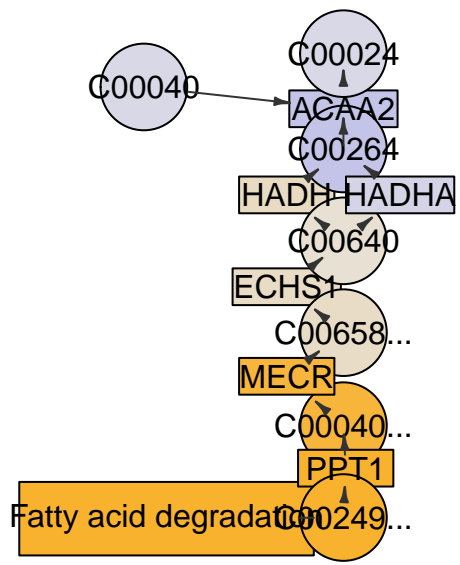
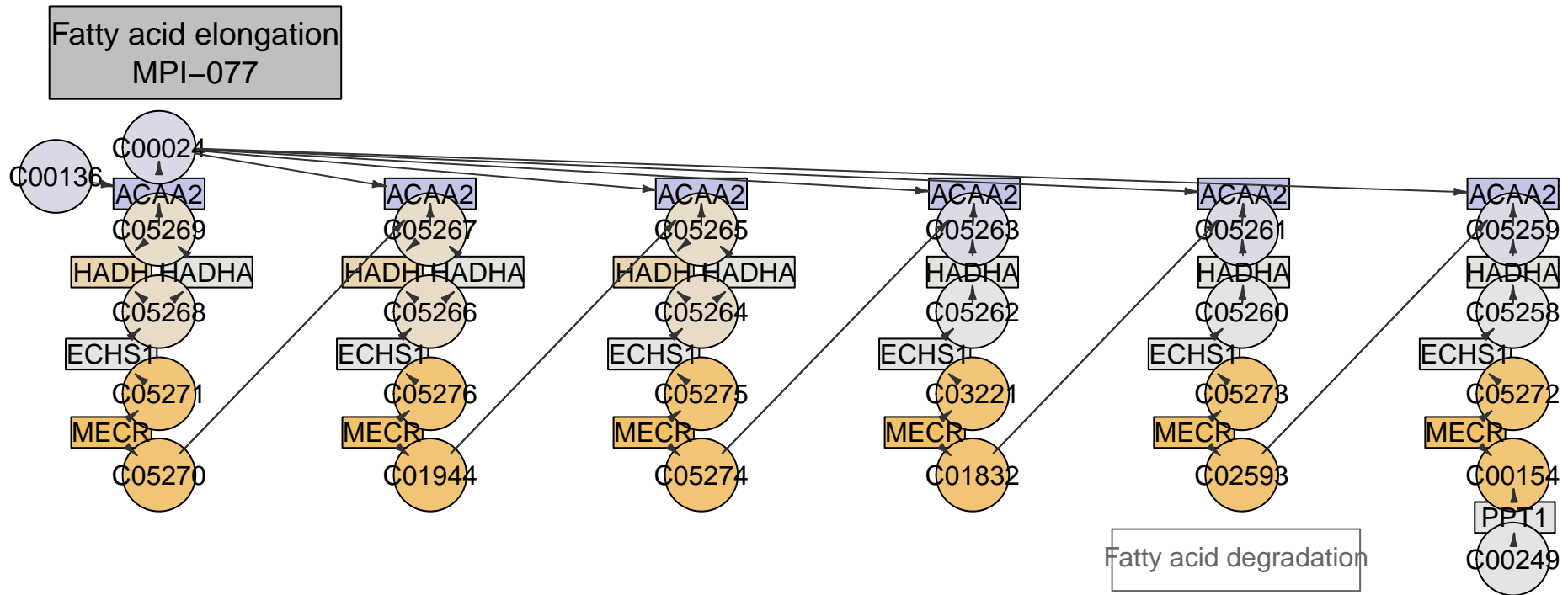
Fatty acid elongation
MPI-065

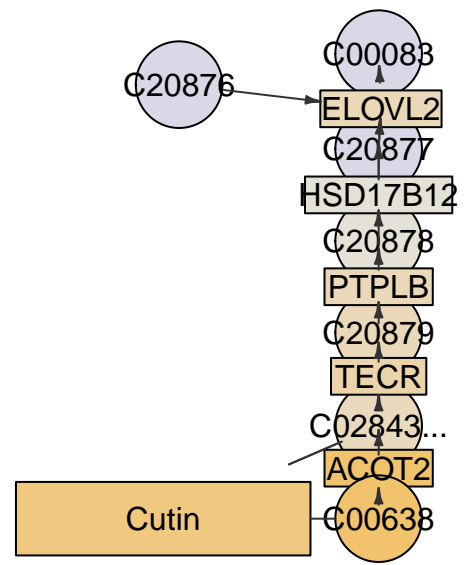
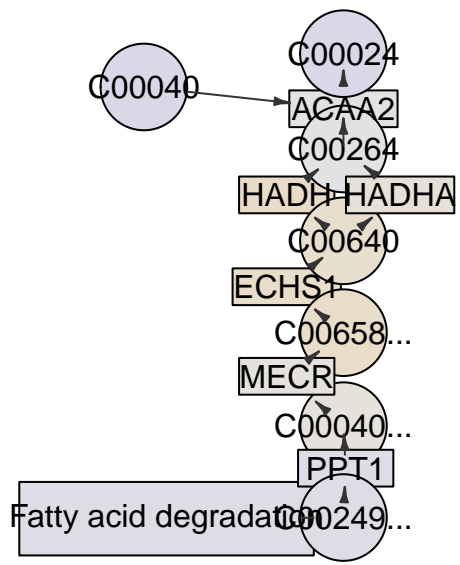
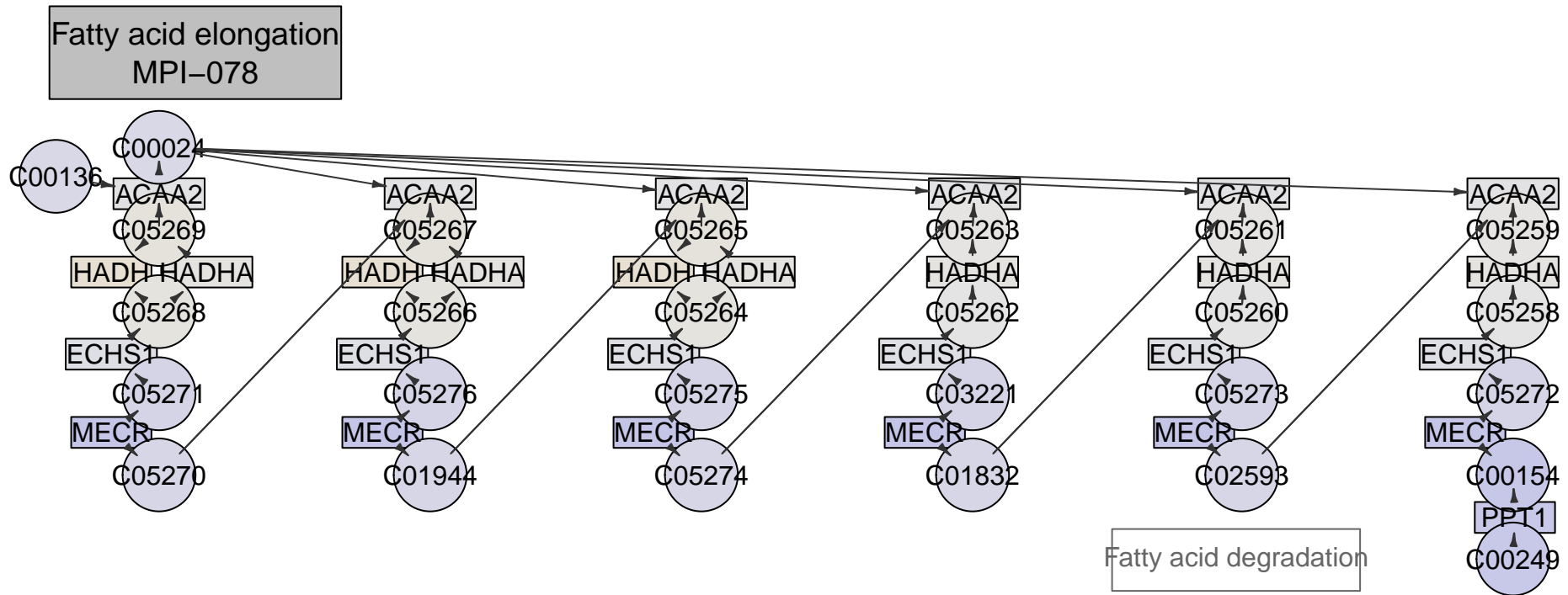


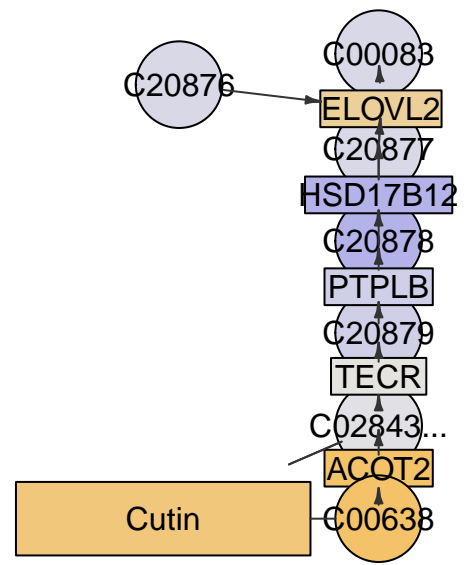
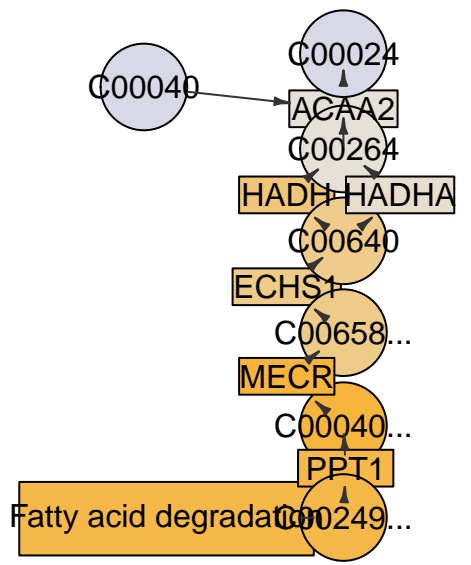
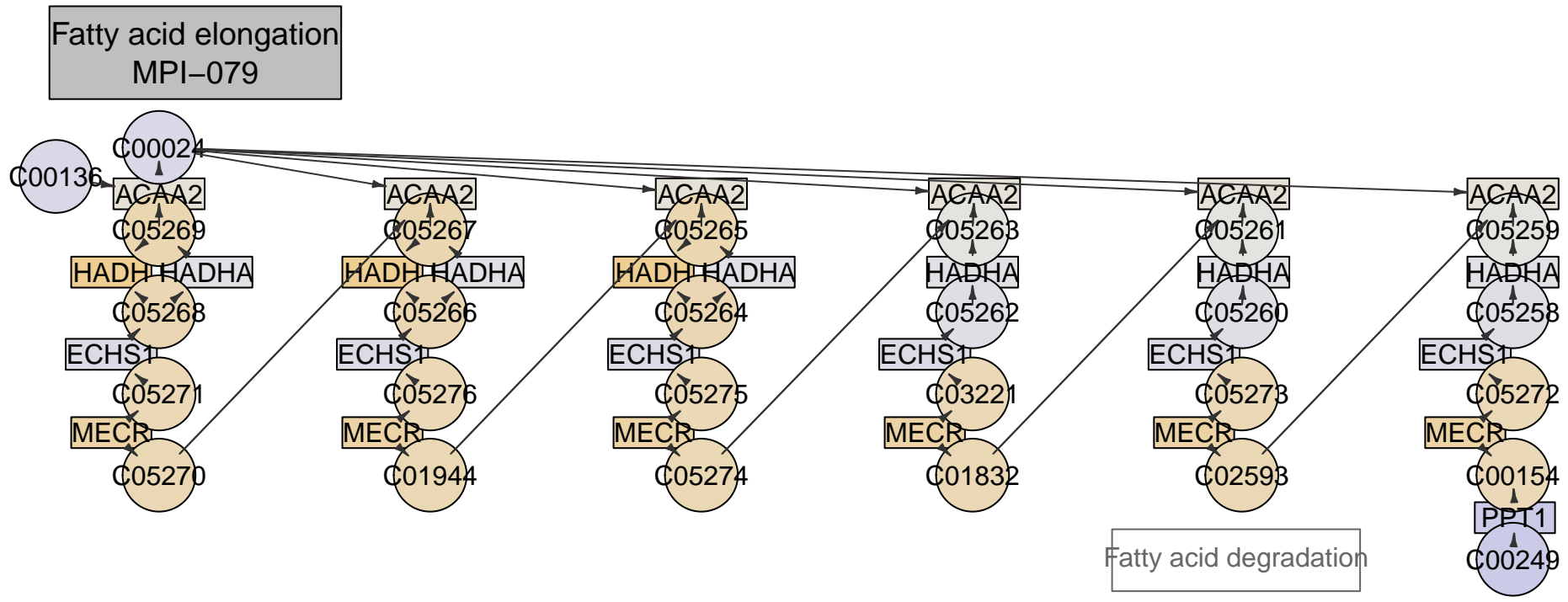
Fatty acid elongation
MPI-071

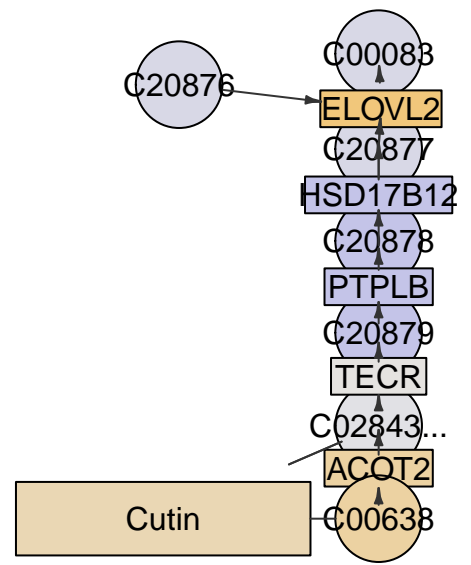
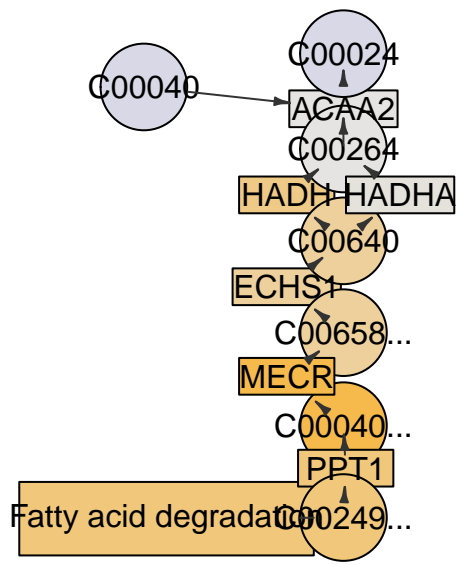
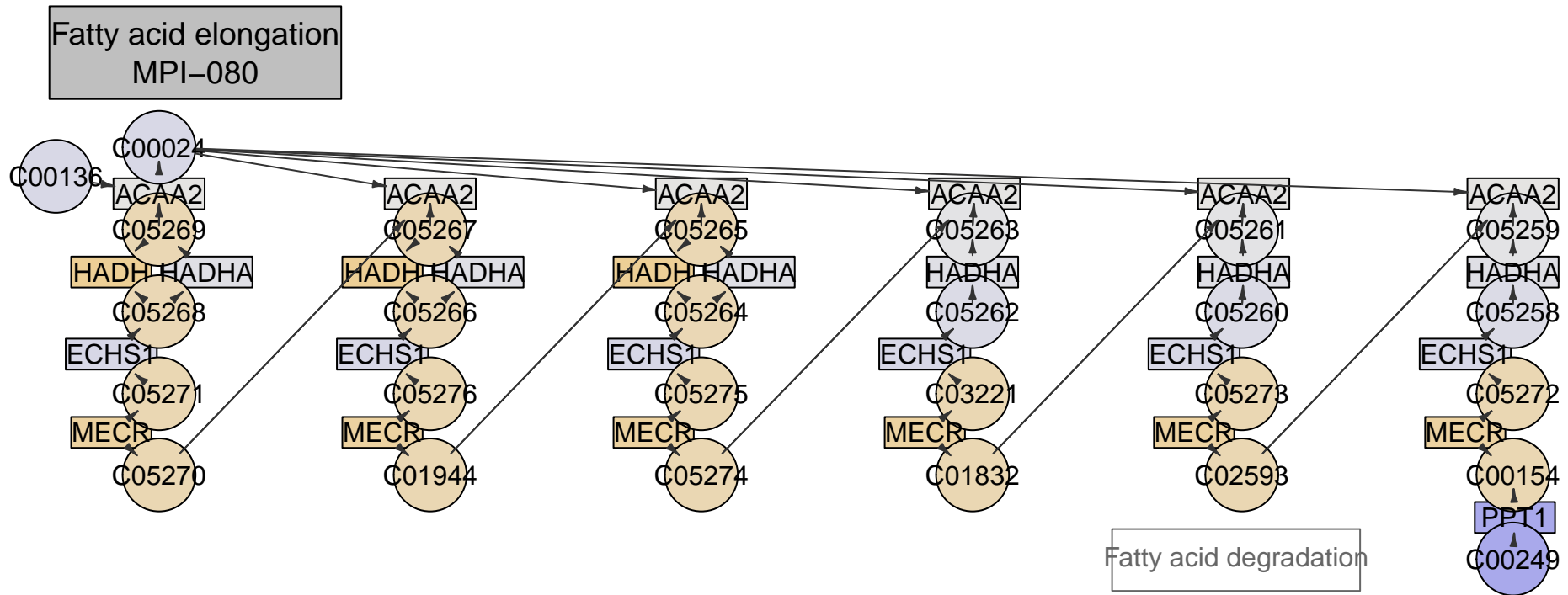




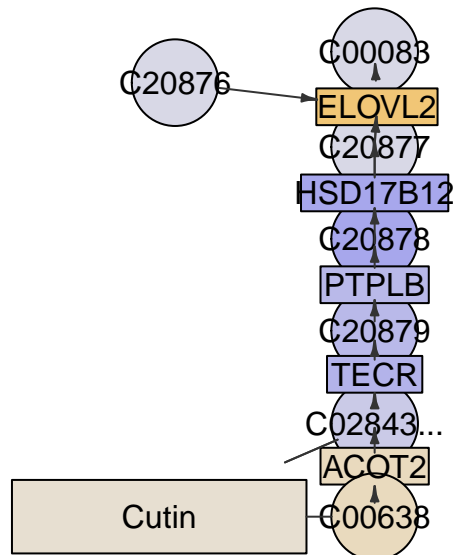
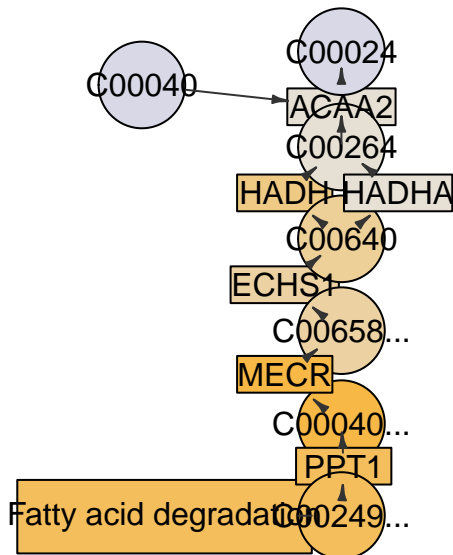
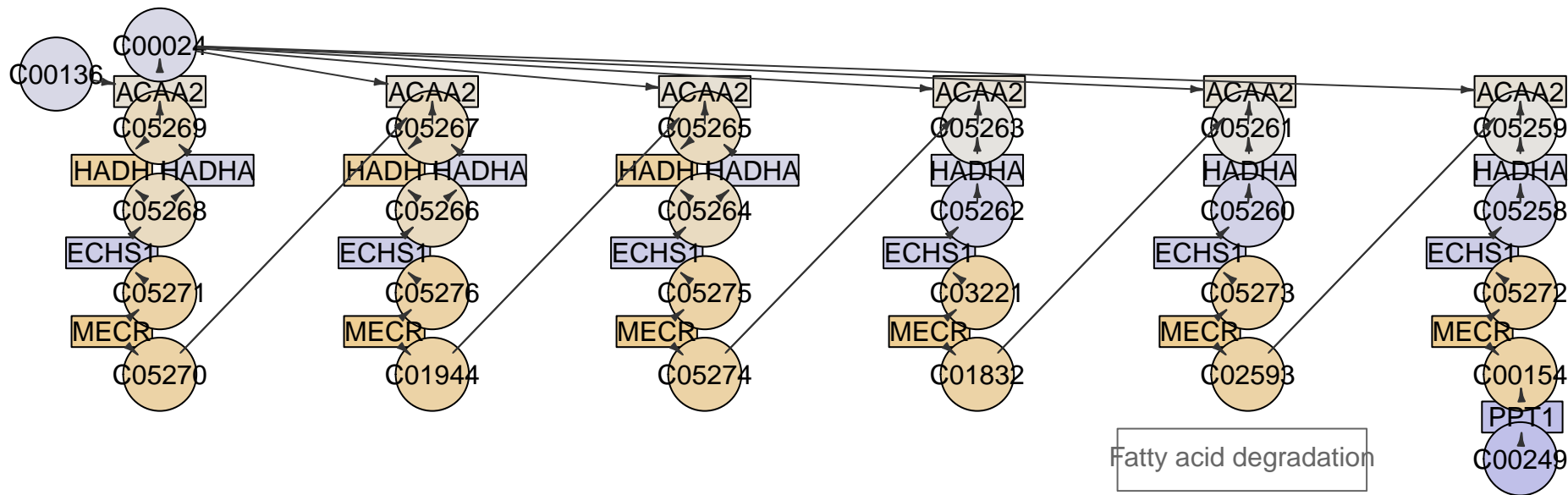




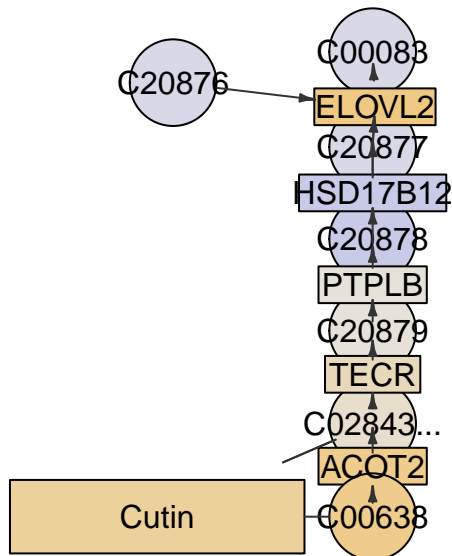
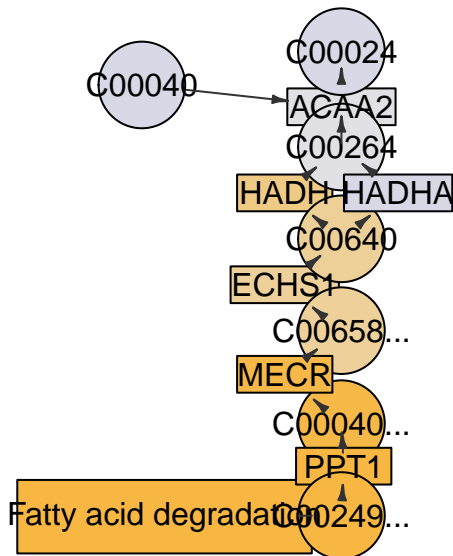
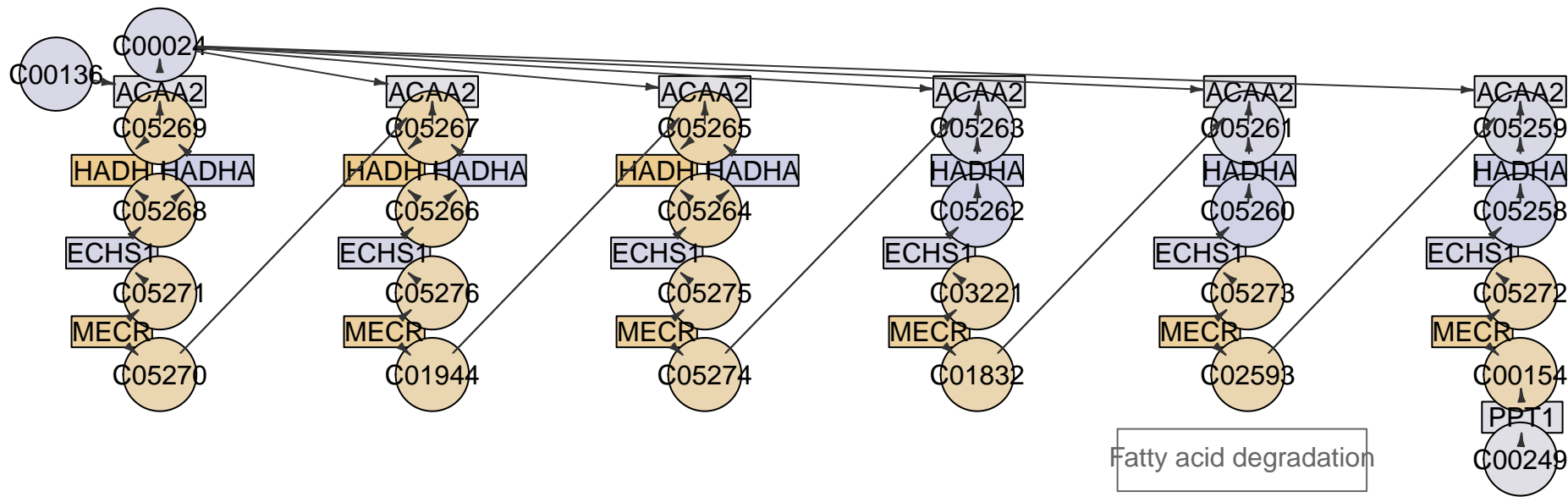


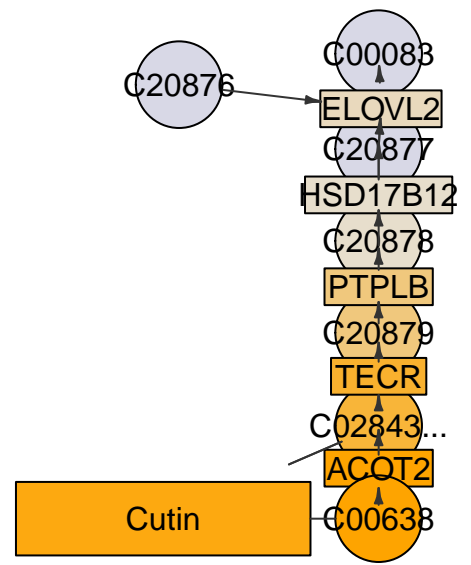
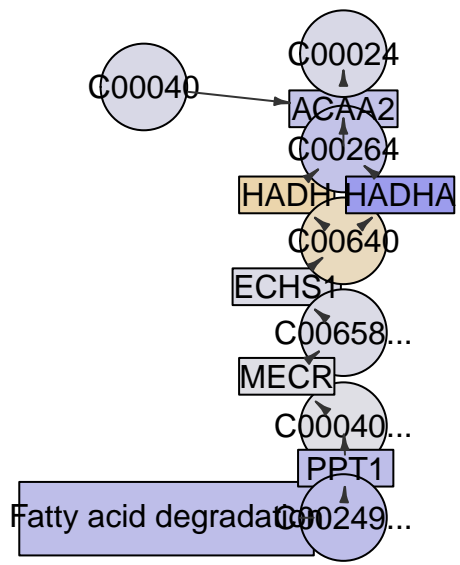
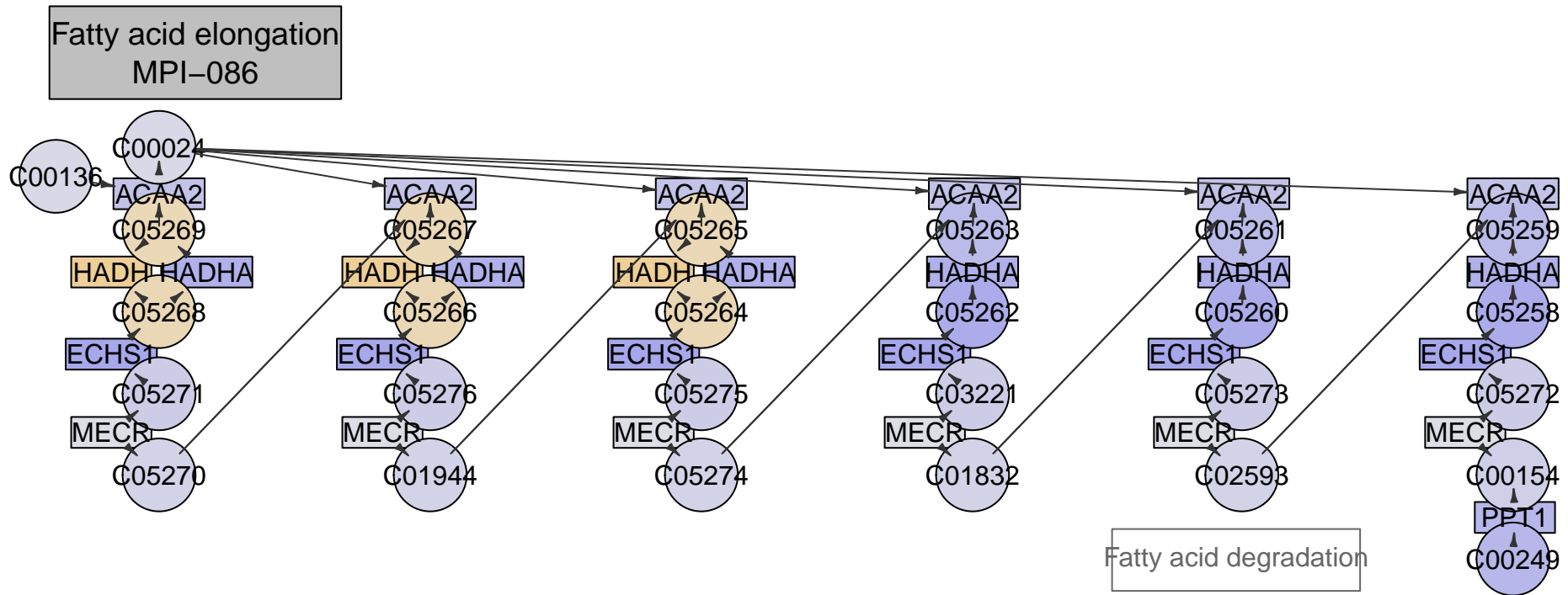


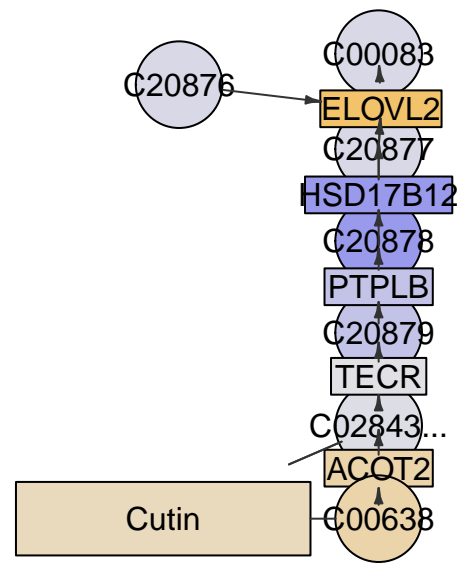
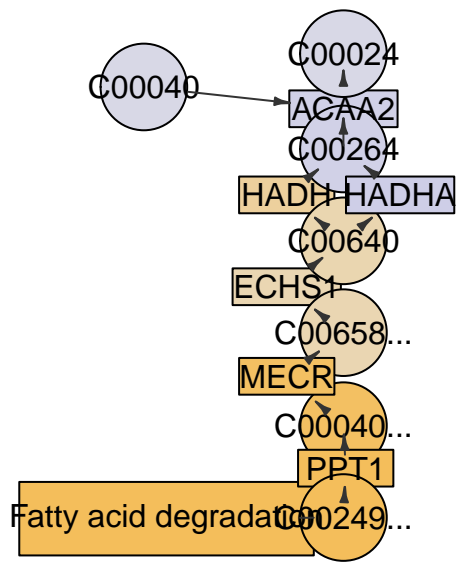
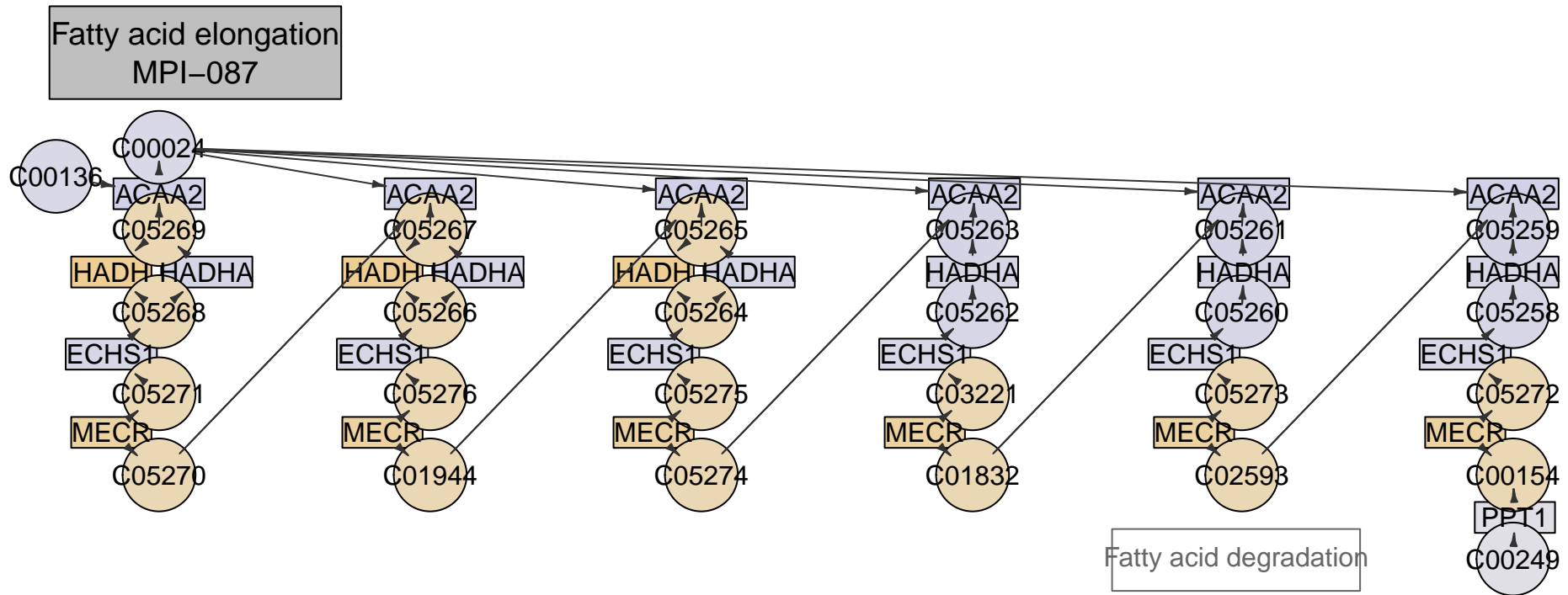
Fatty acid elongation
MPI-081

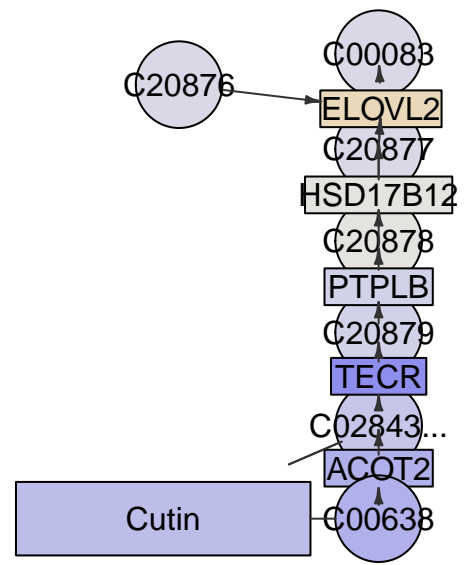
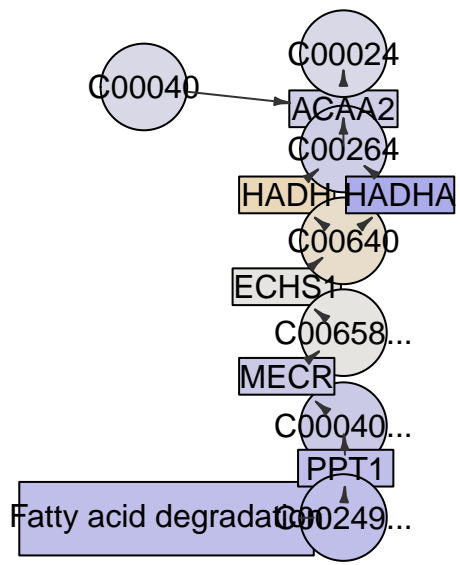
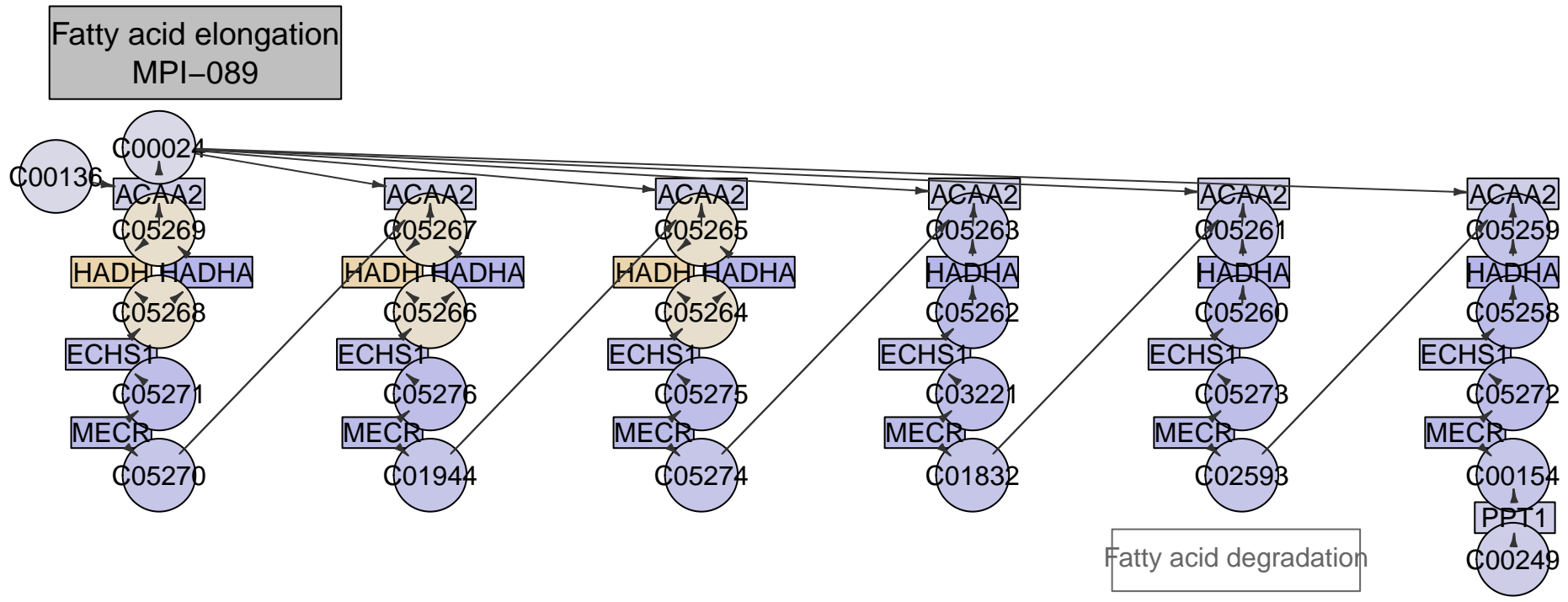


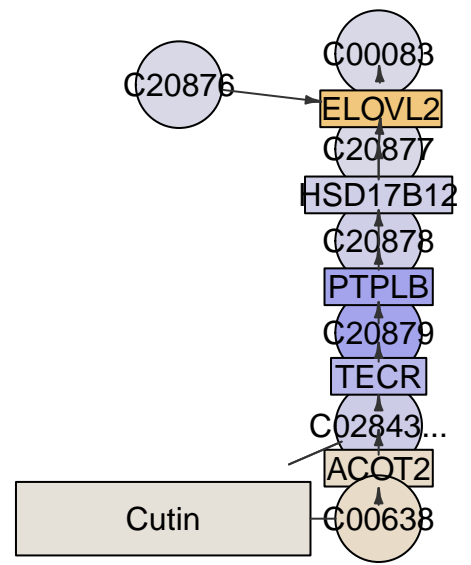
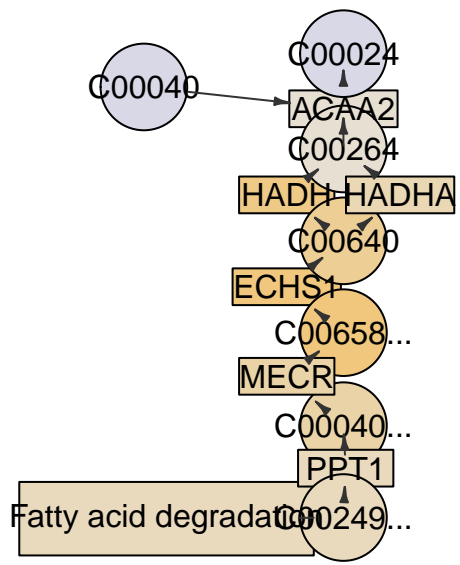
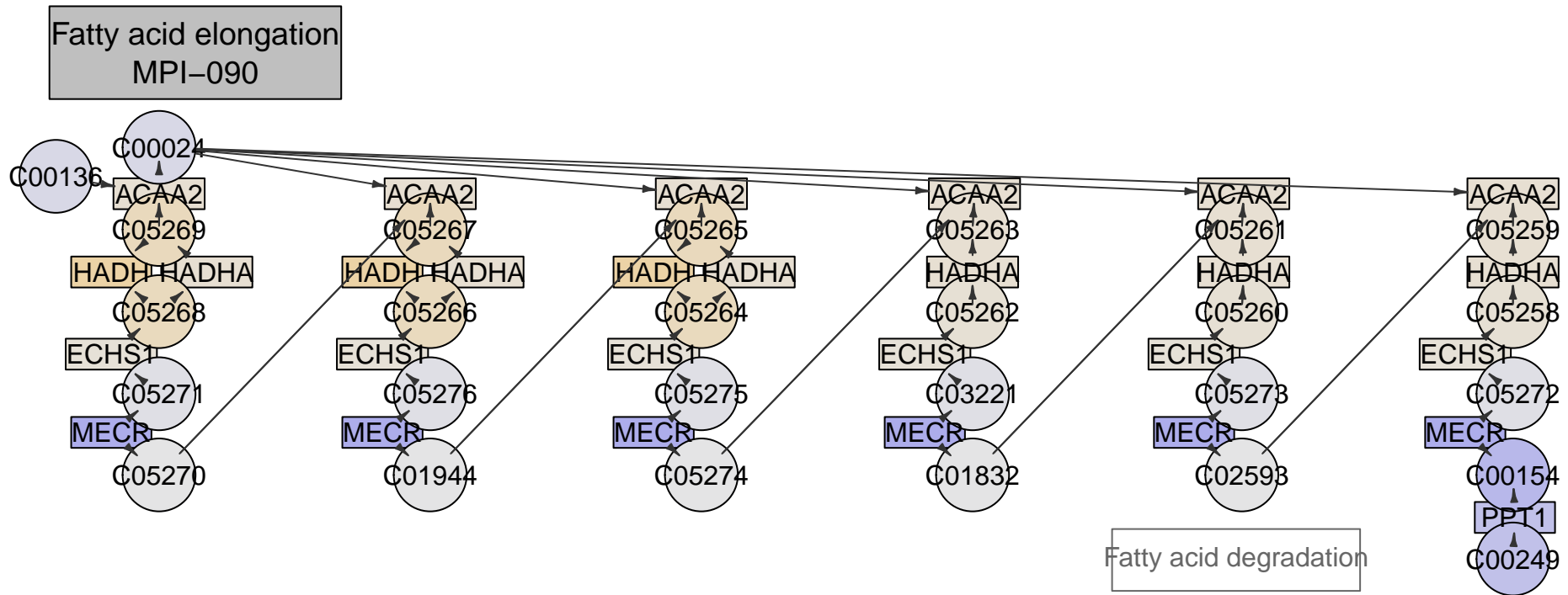
Fatty acid elongation
MPI-084

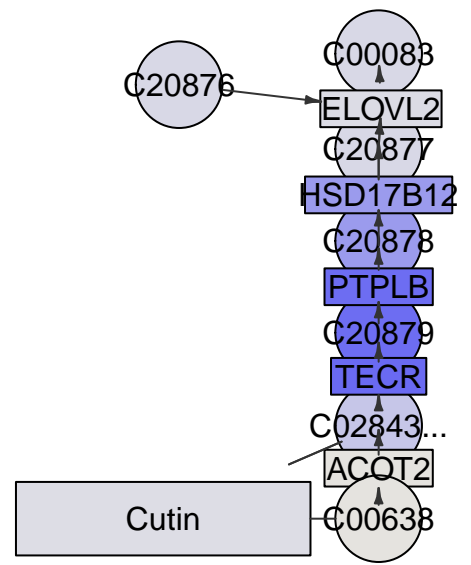
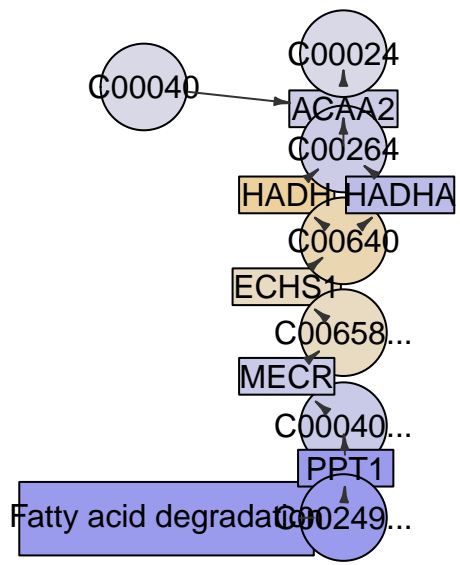
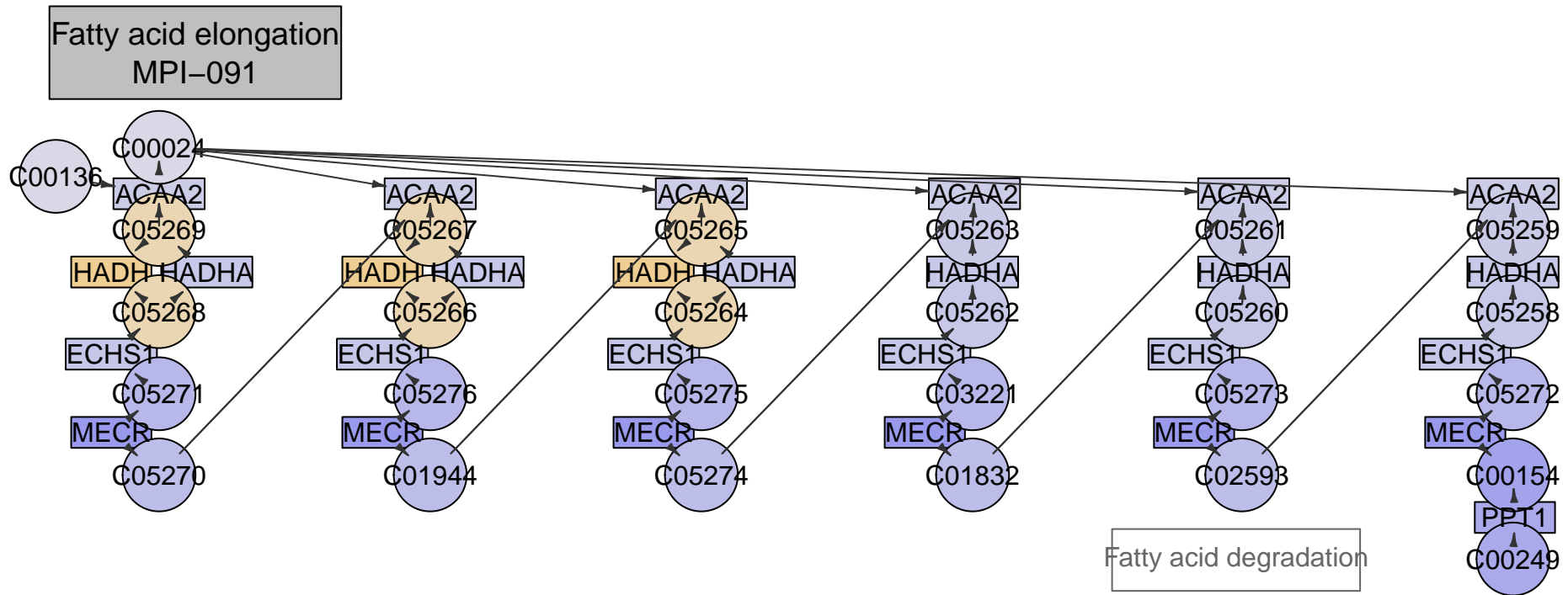


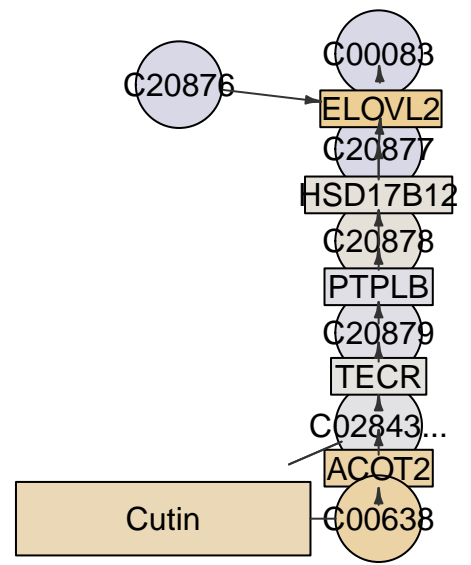
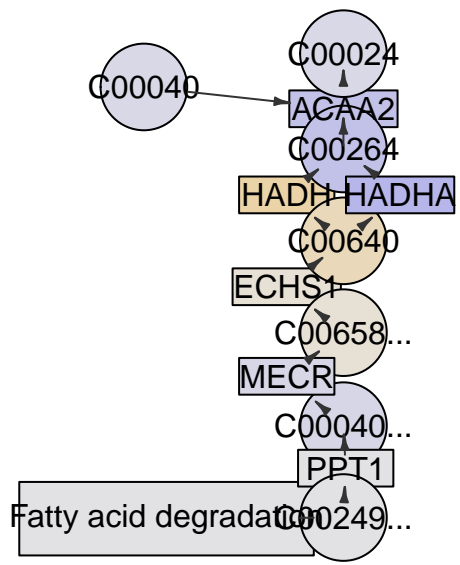
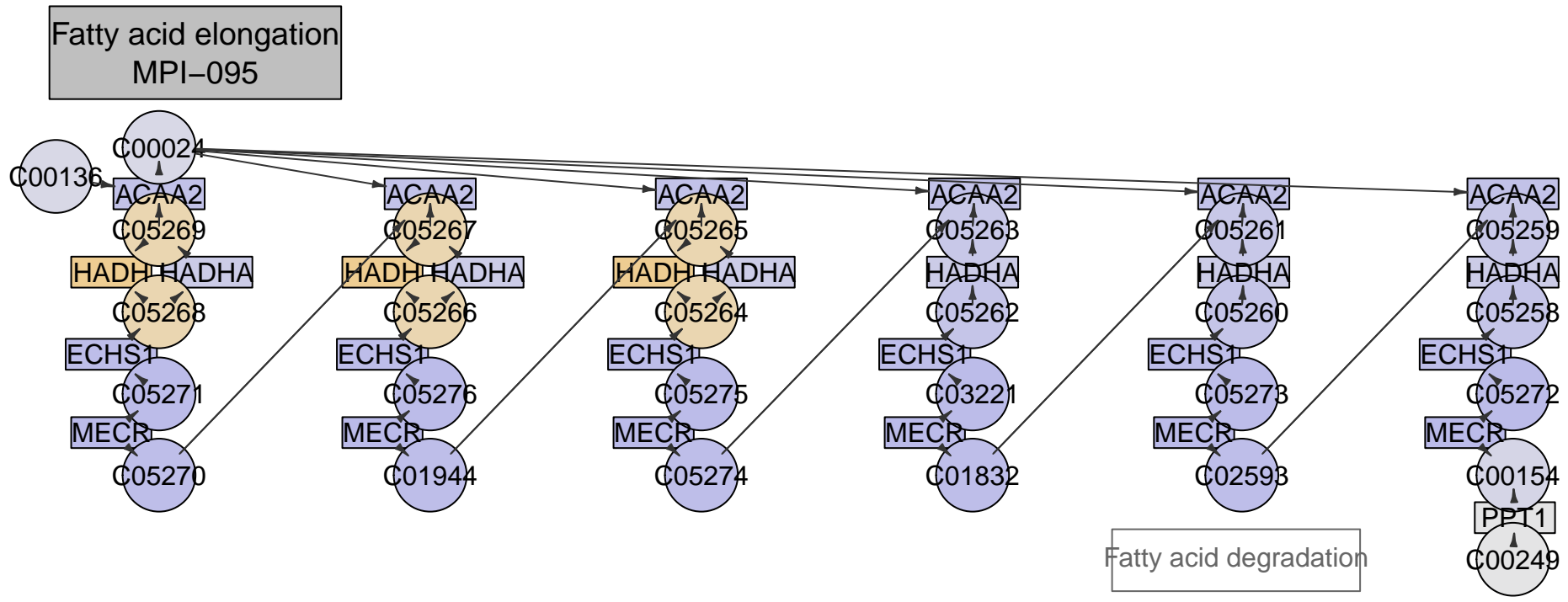




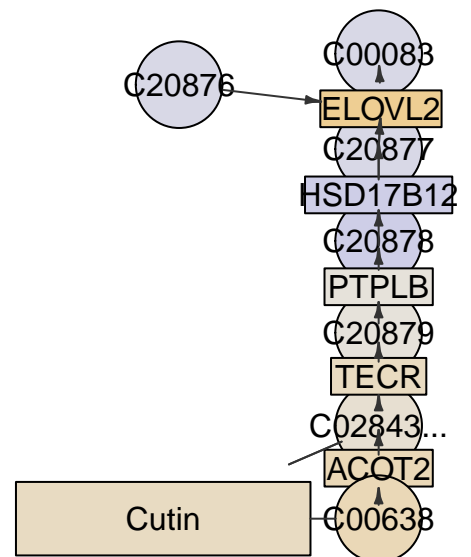
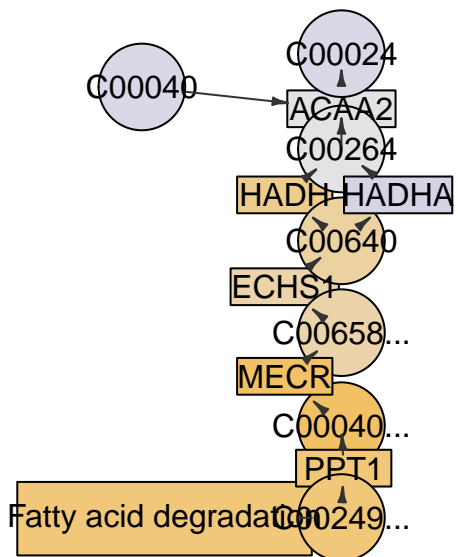
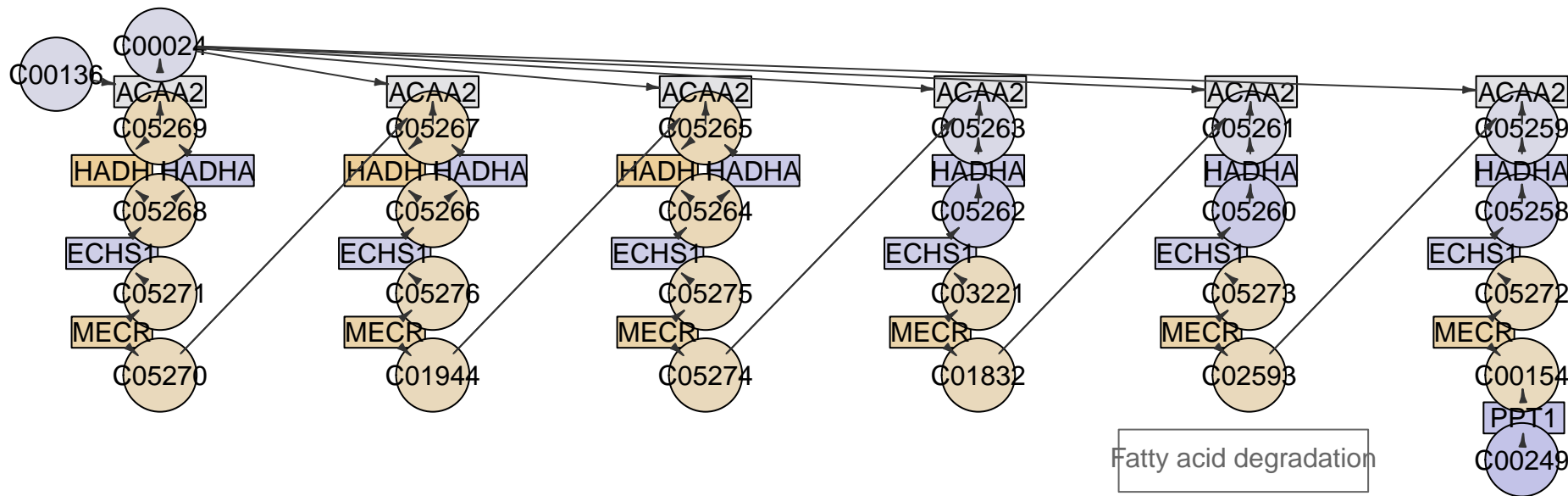


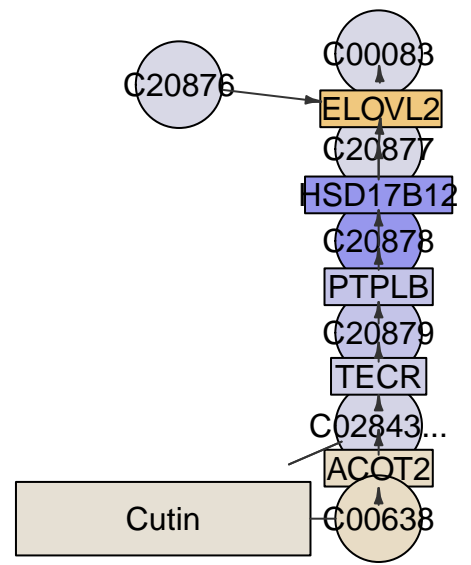
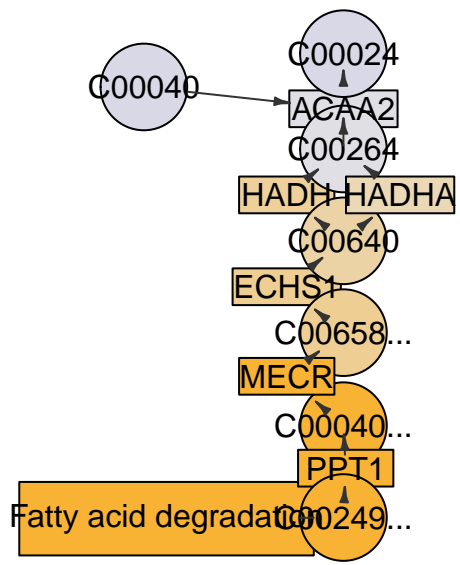
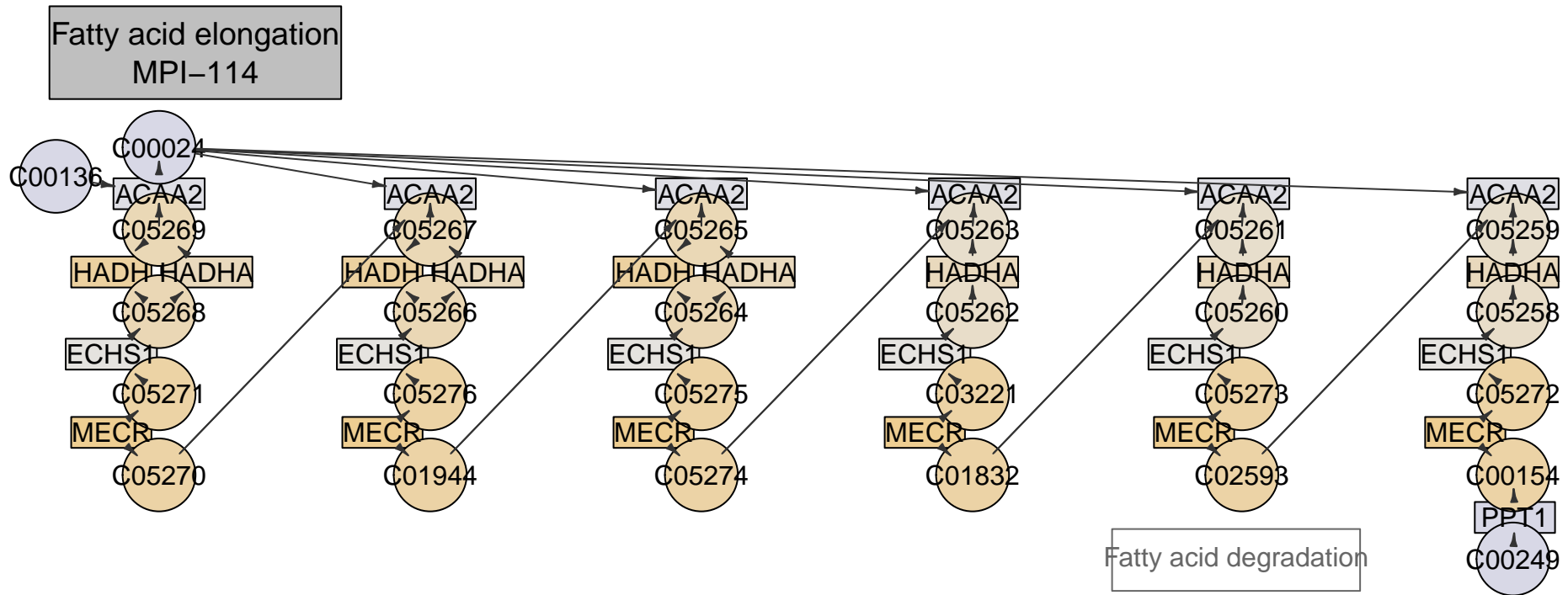


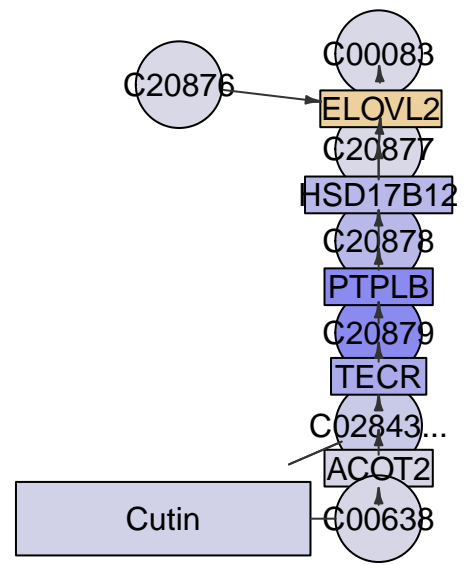
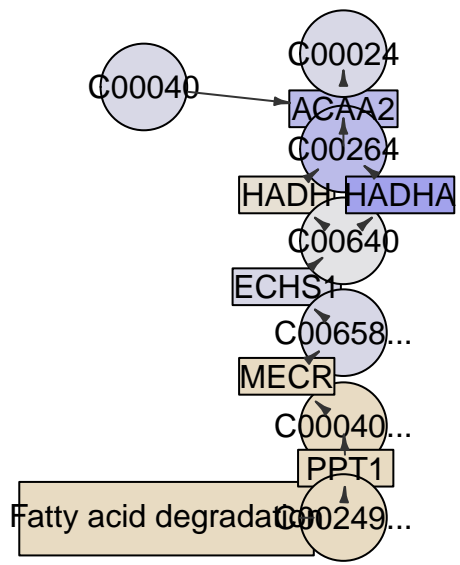
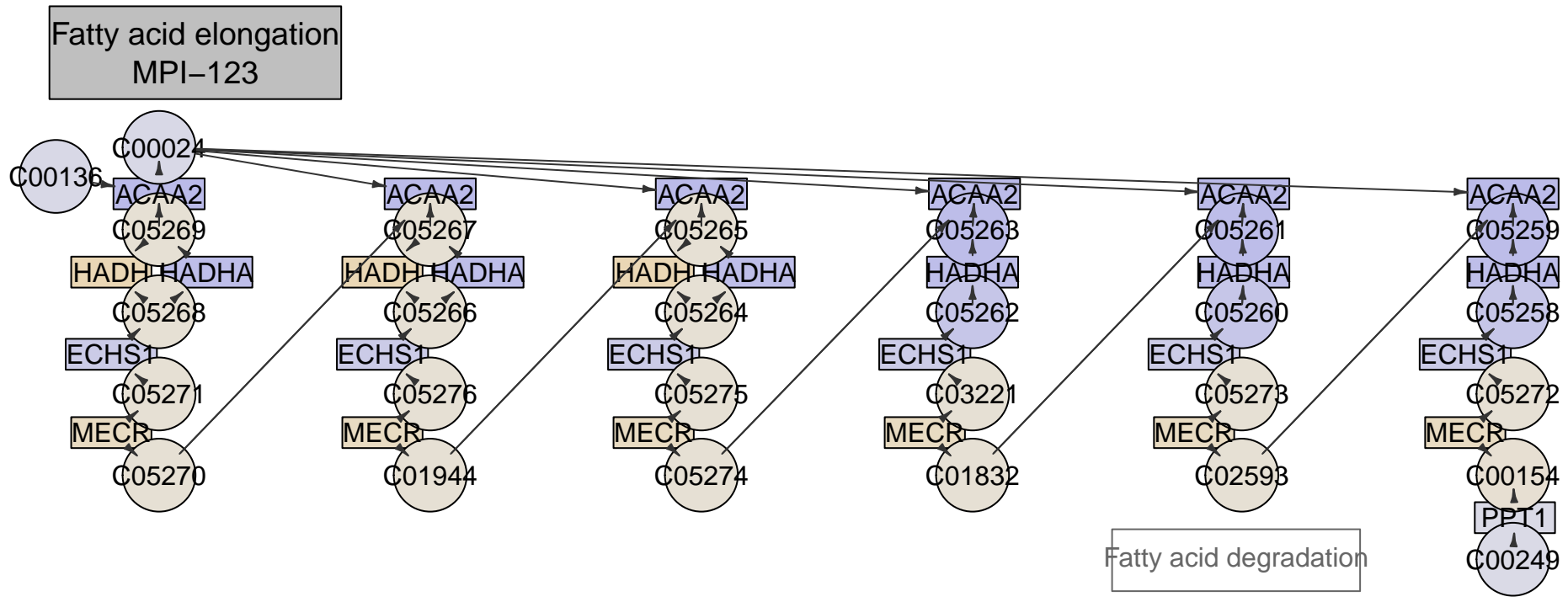


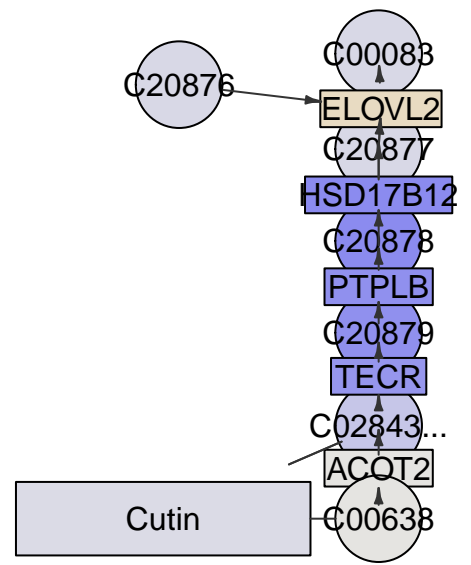
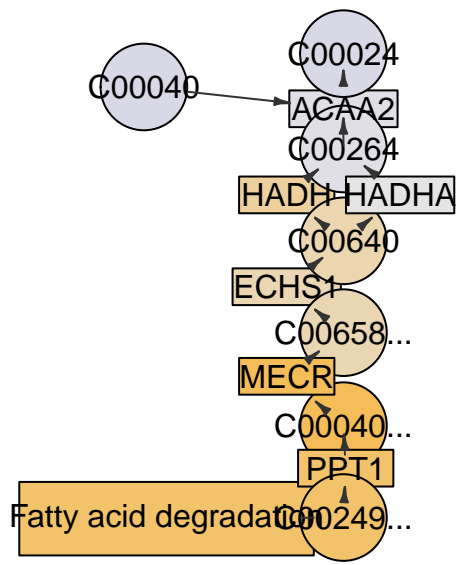
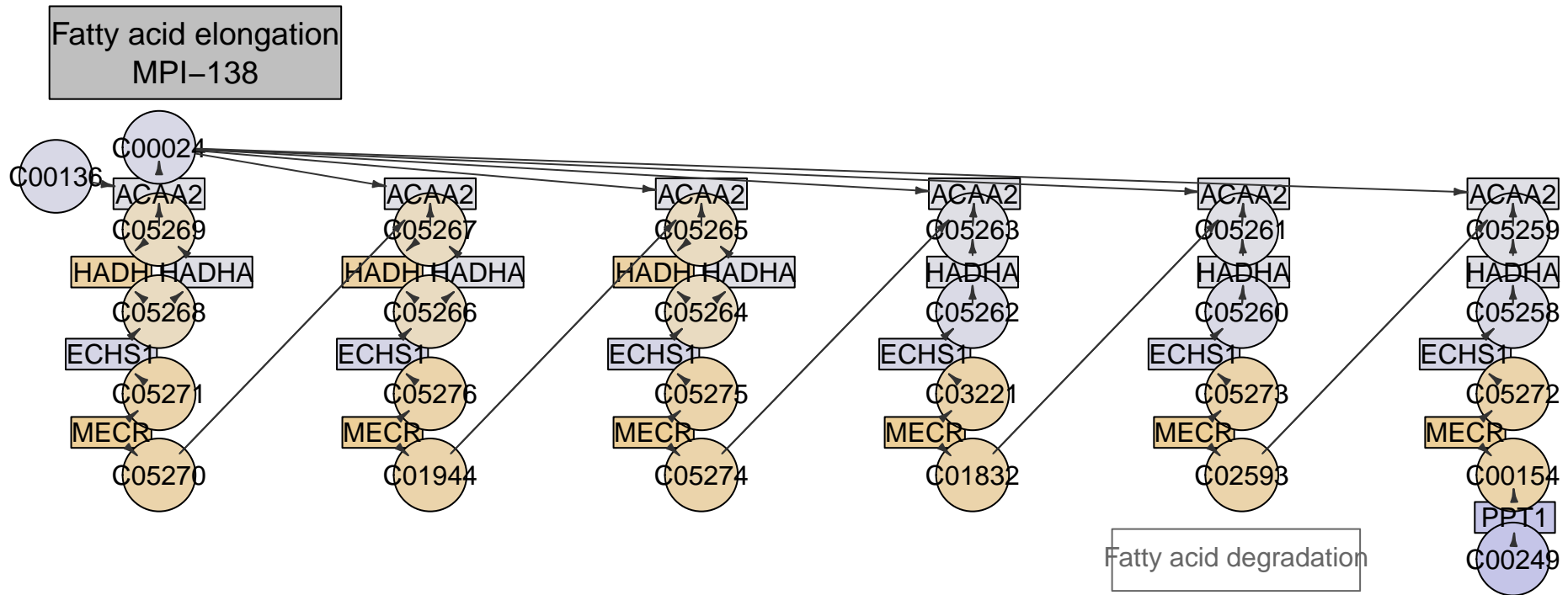


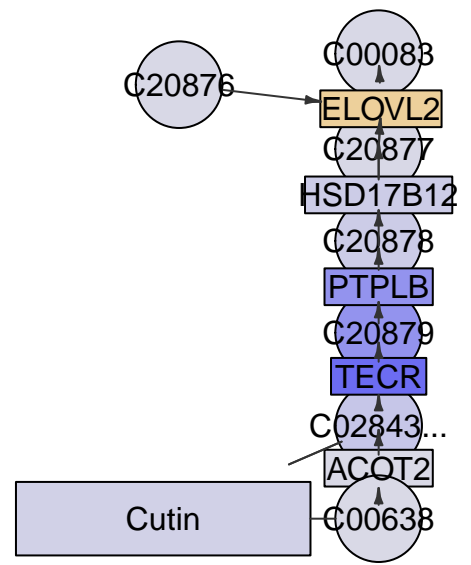
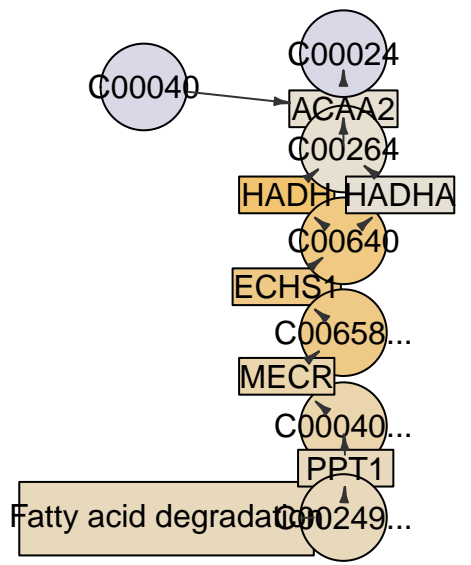
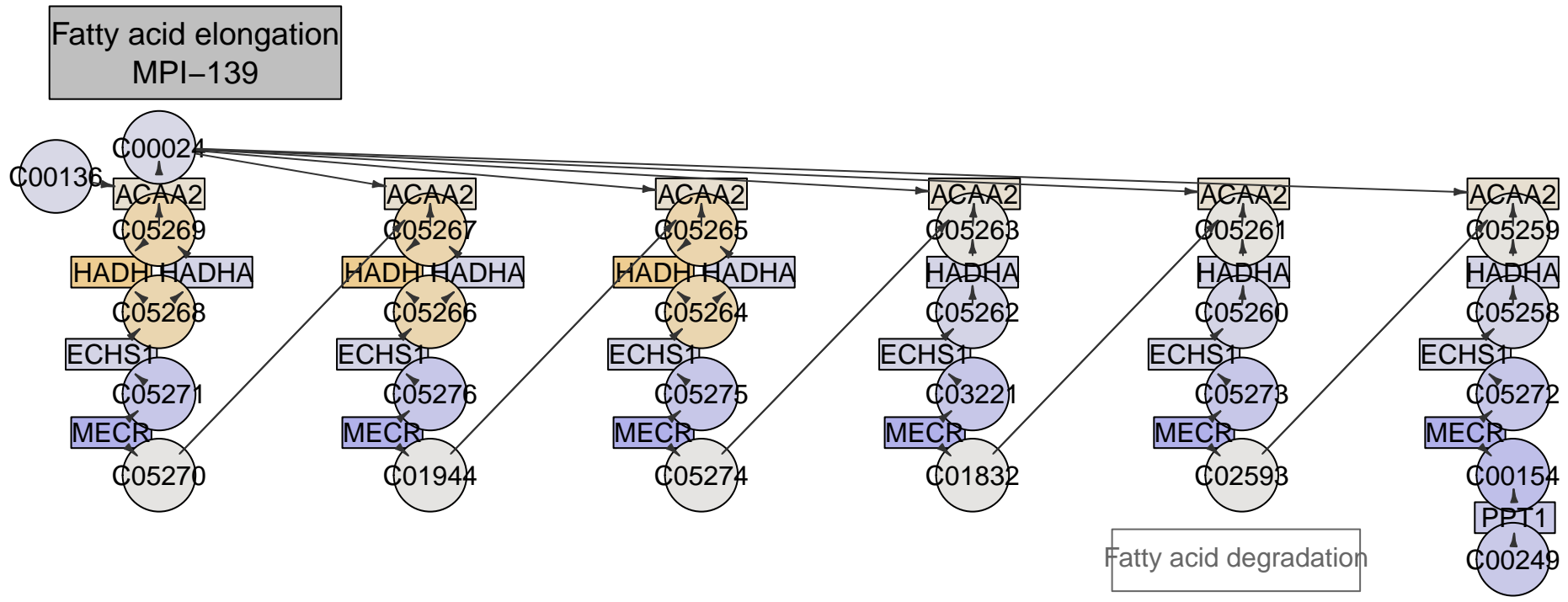
Fatty acid elongation
MPI-101

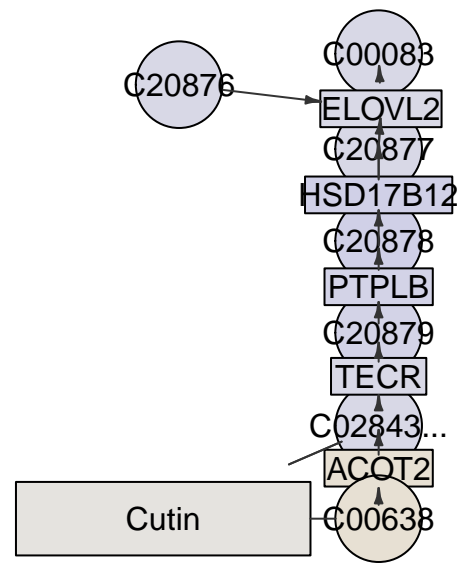
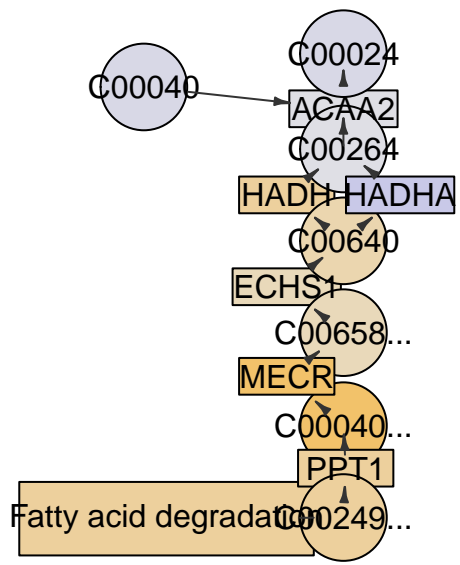
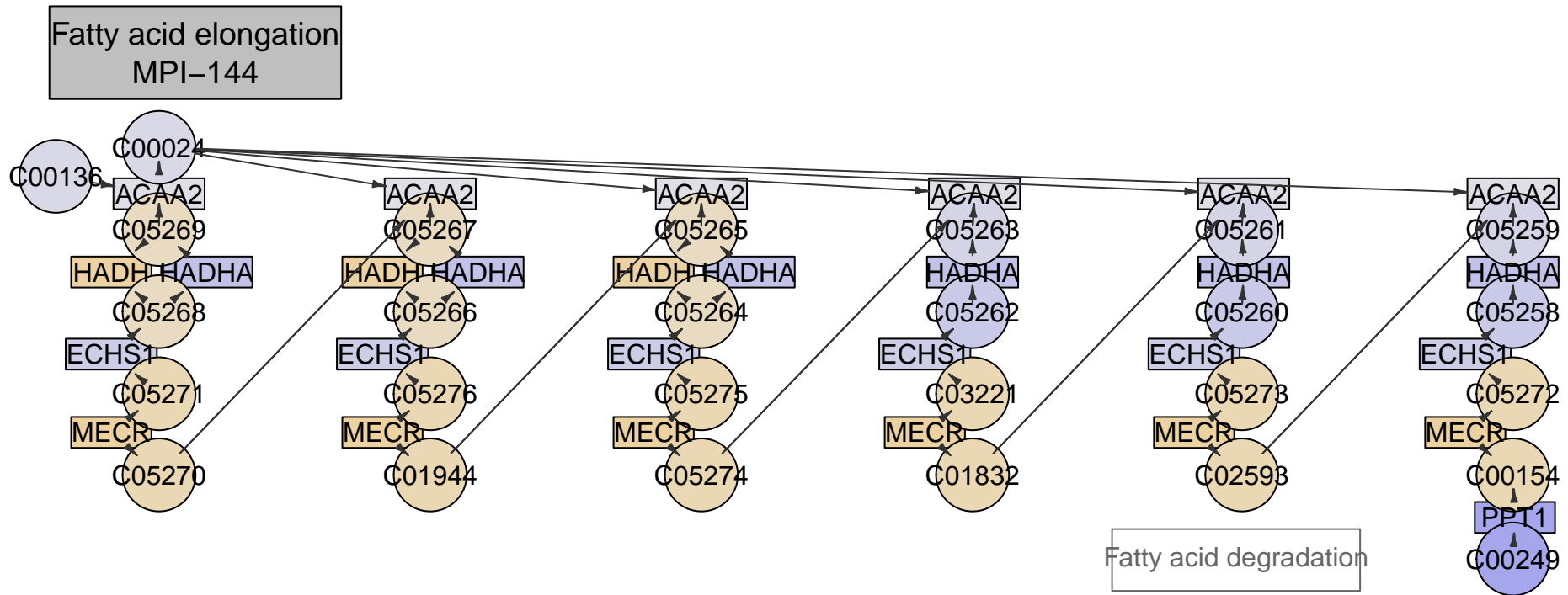


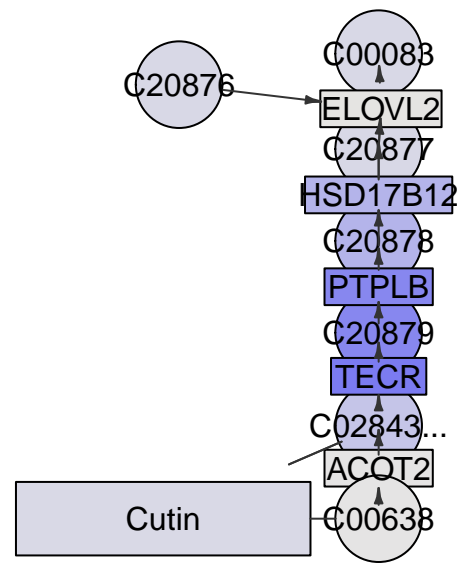
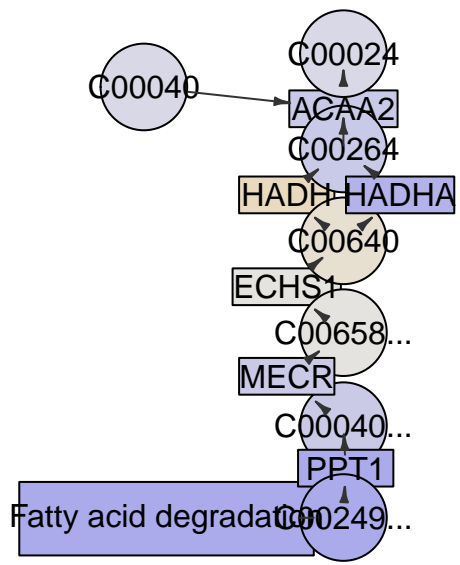
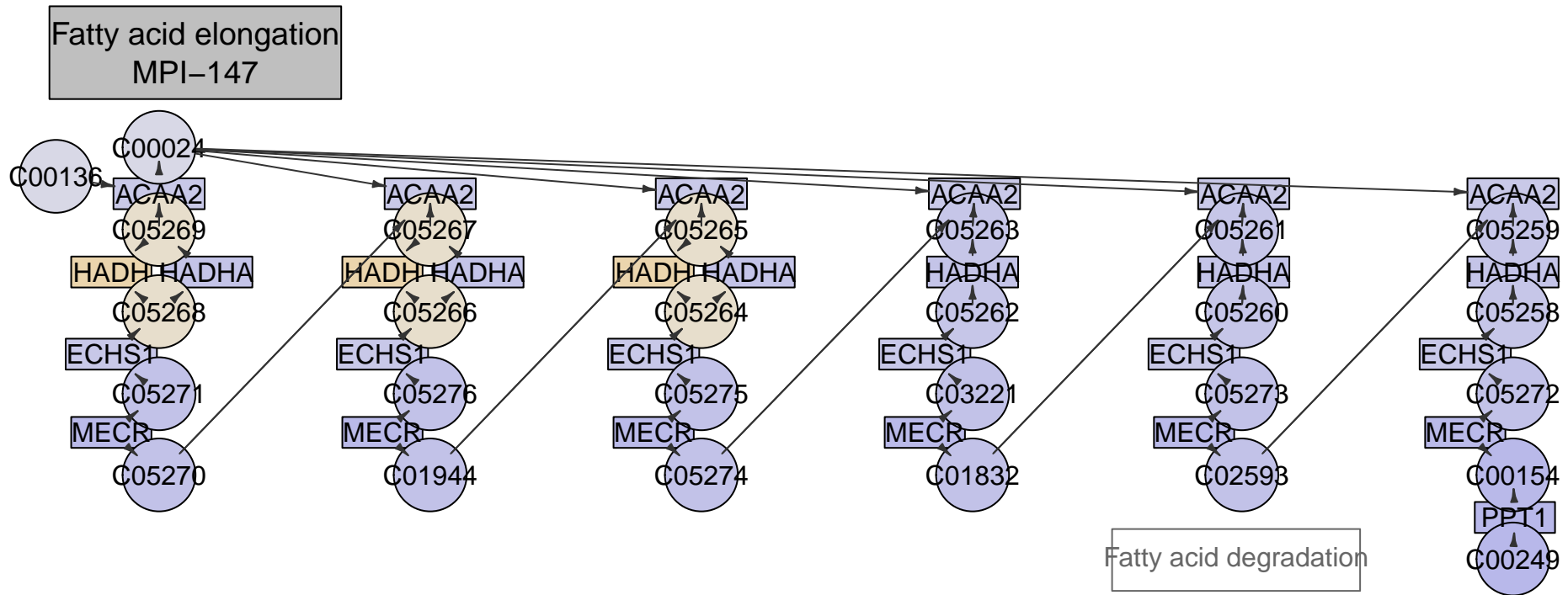




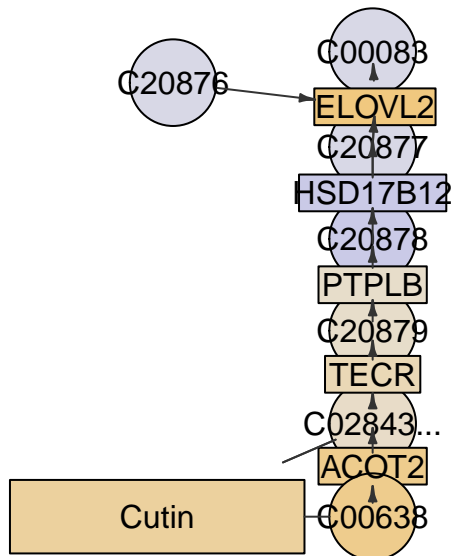
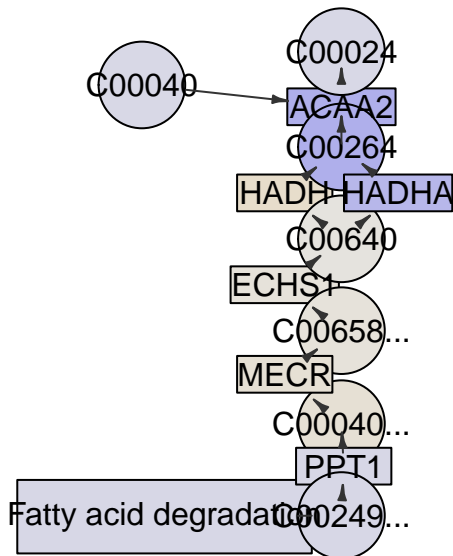
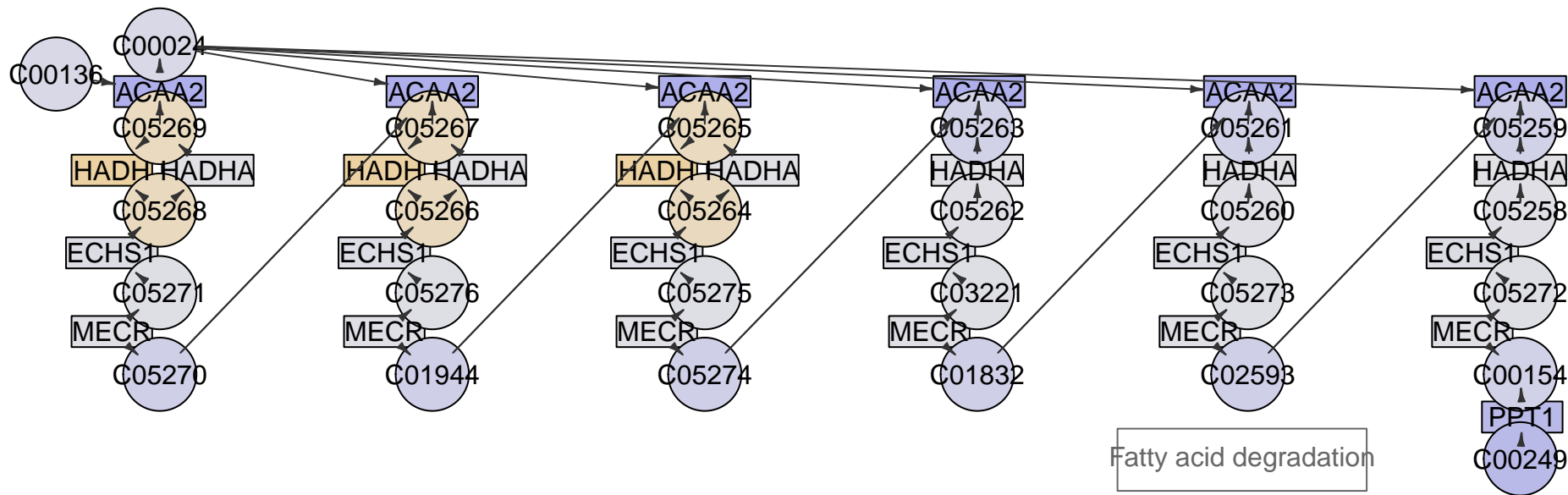




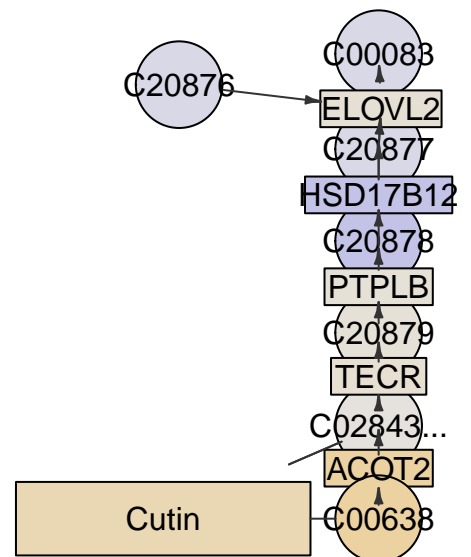
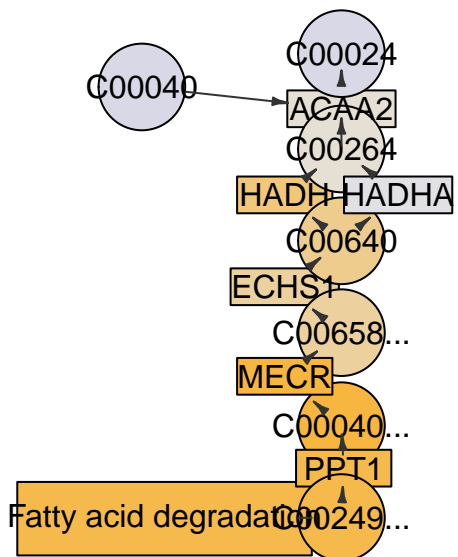
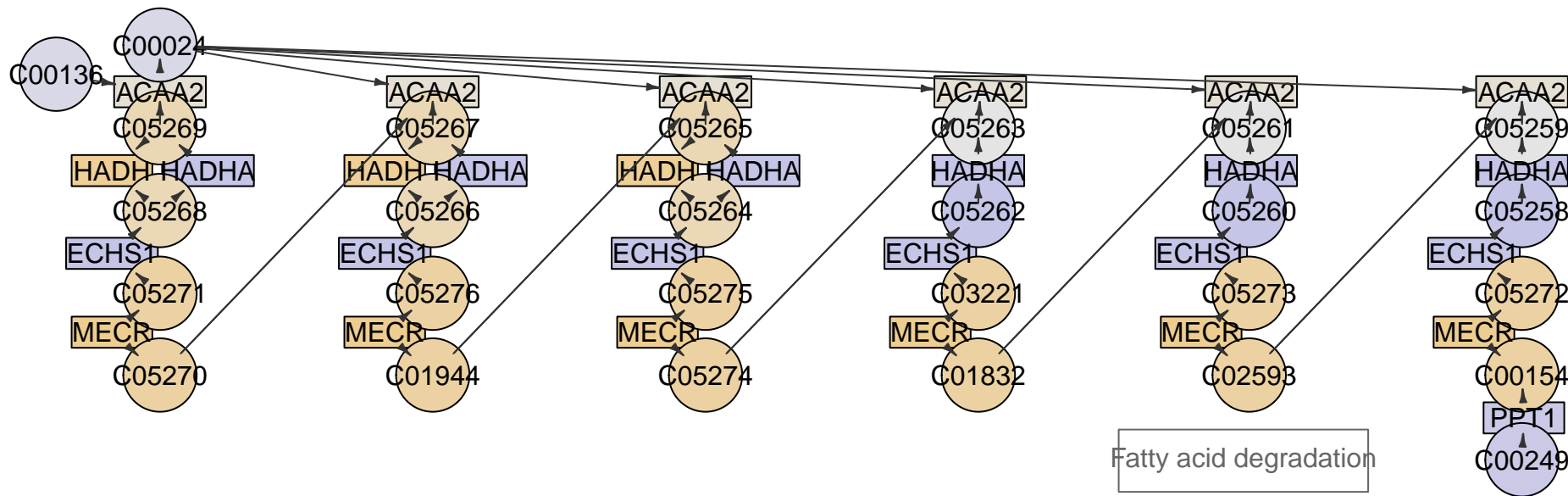




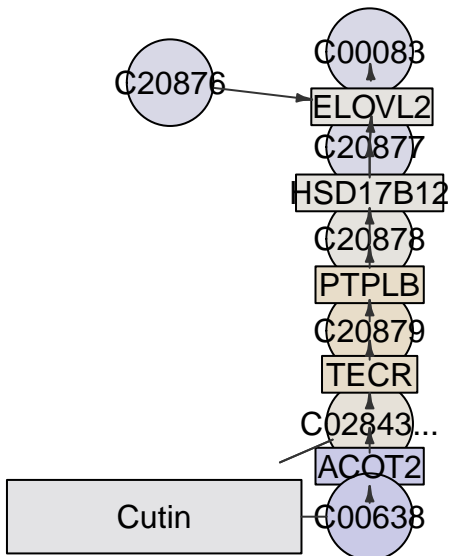
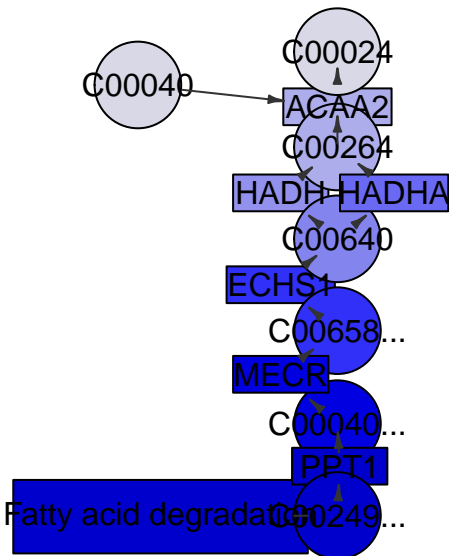
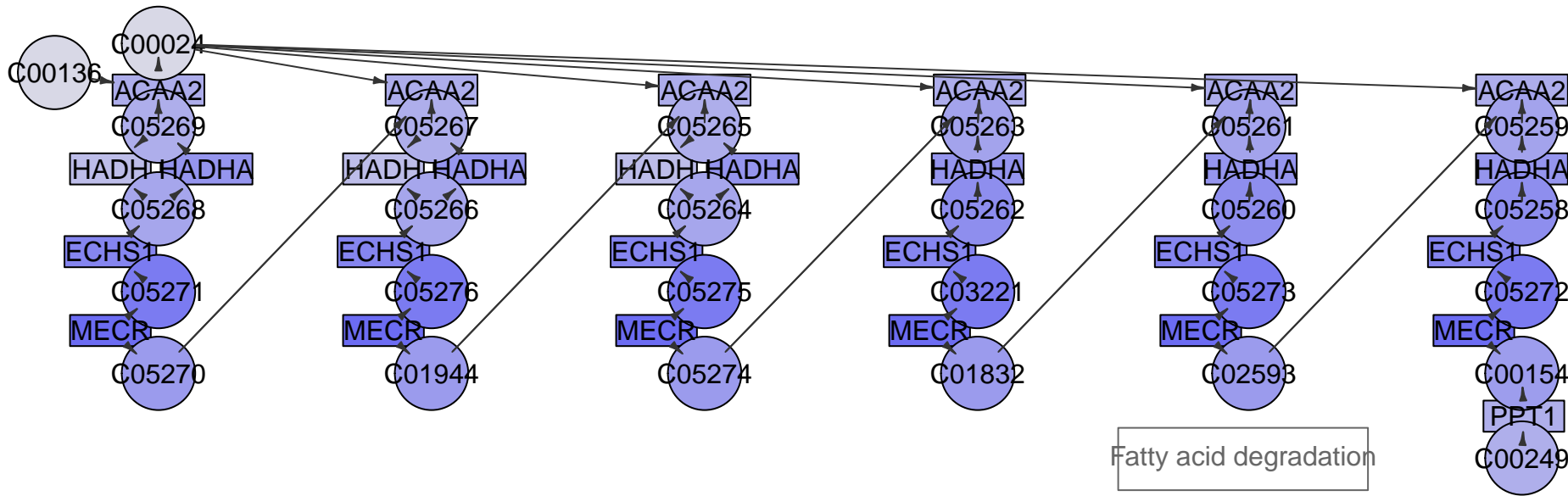
Fatty acid elongation
MPI-171

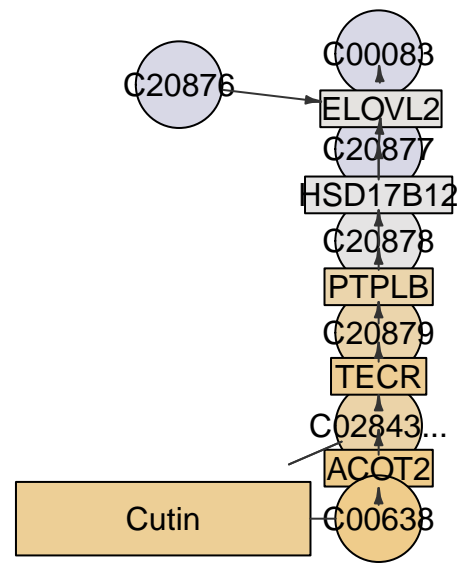
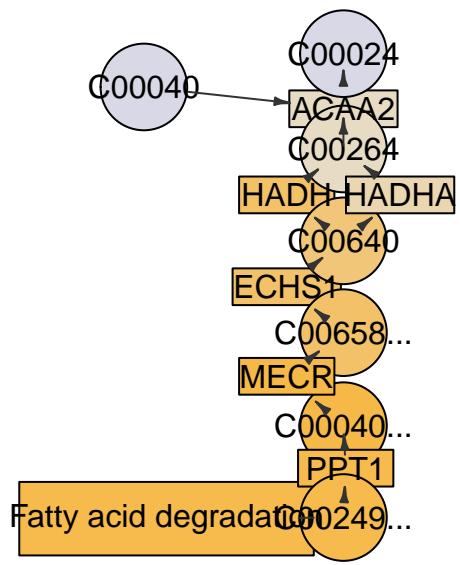
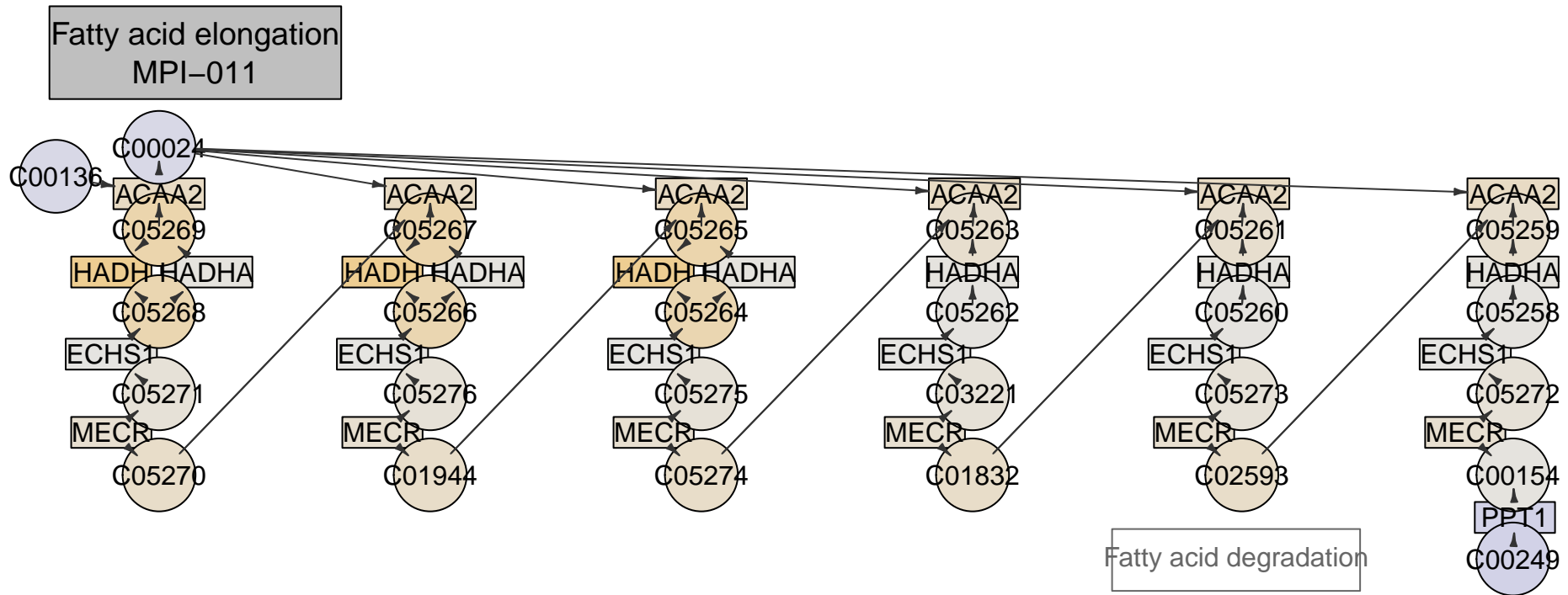


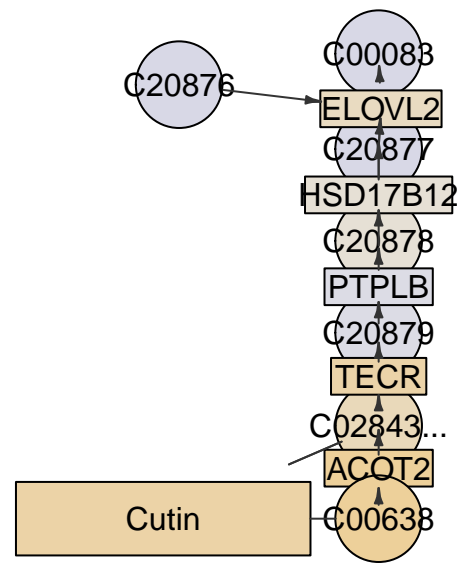
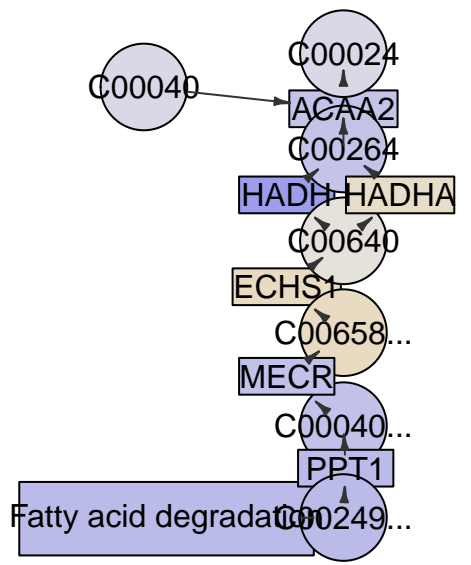
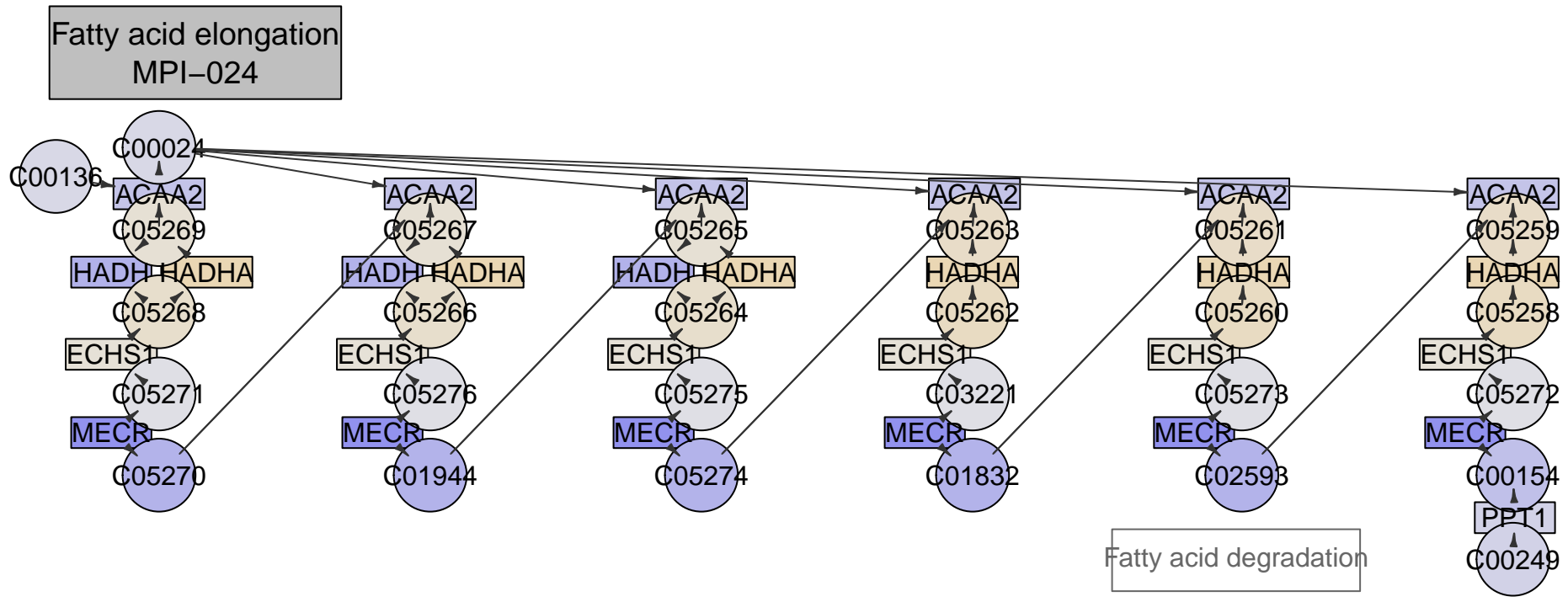
Fatty acid elongation
MPI-172

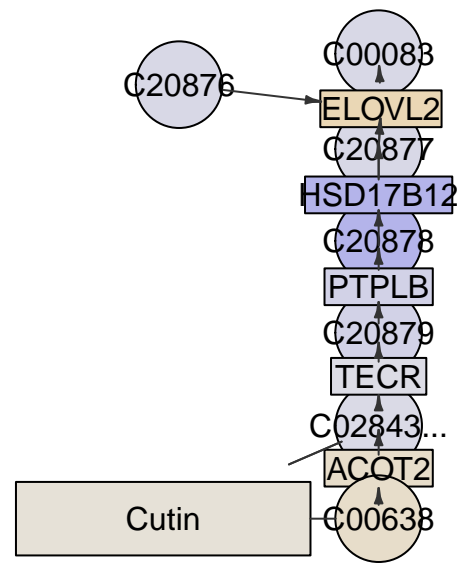
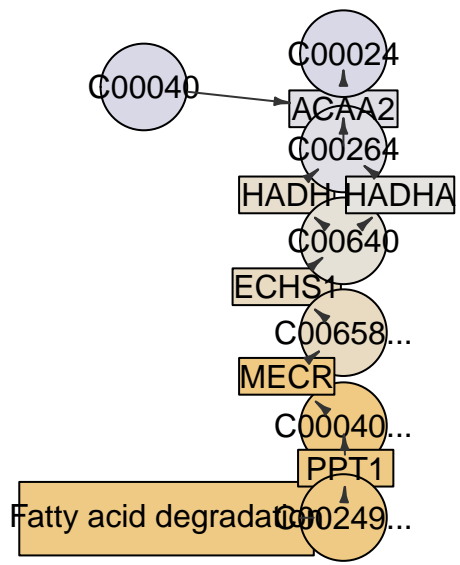
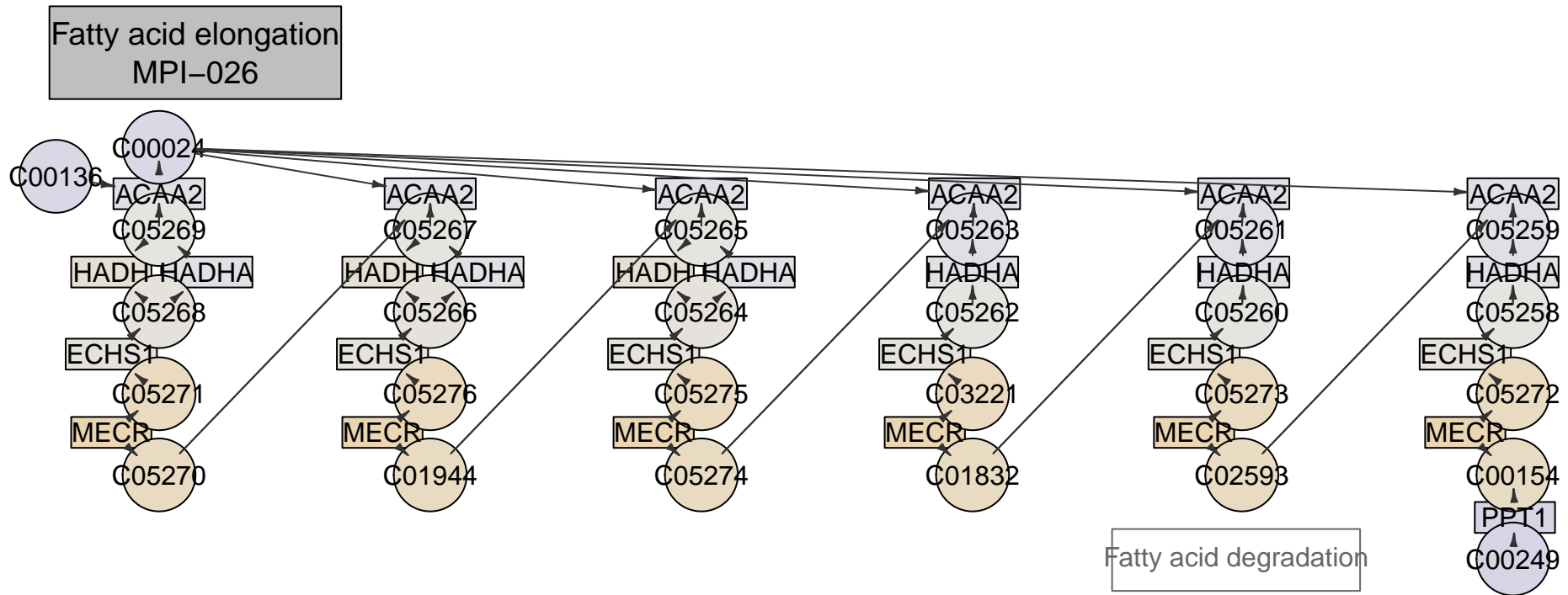


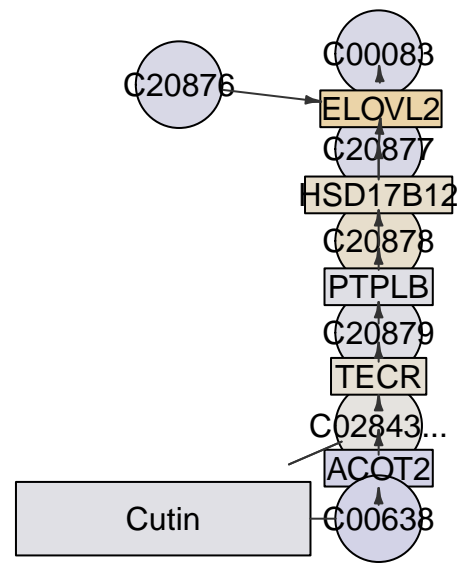
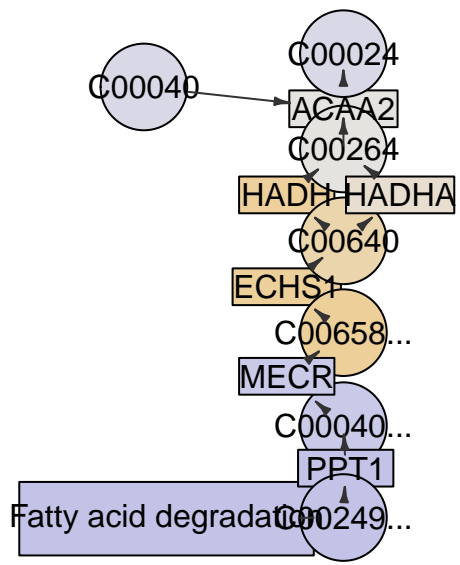
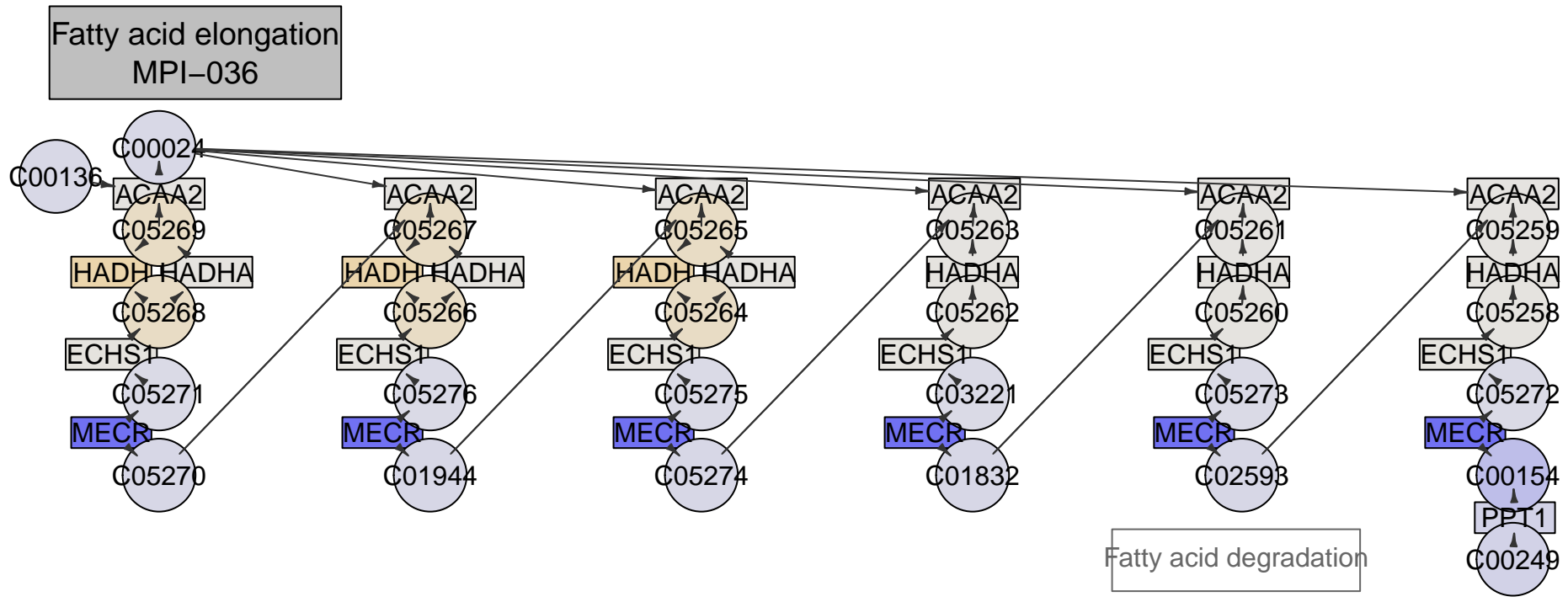
Fatty acid elongation
MPI-007



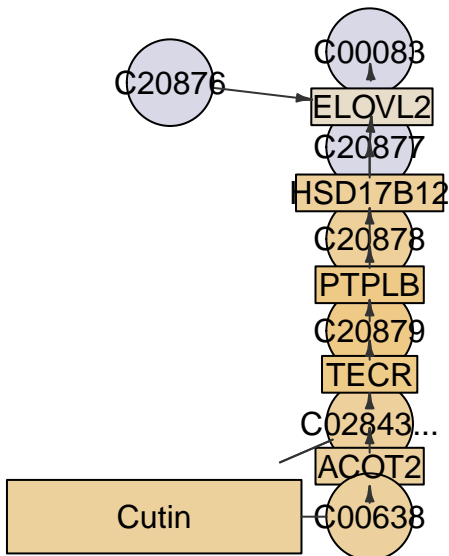
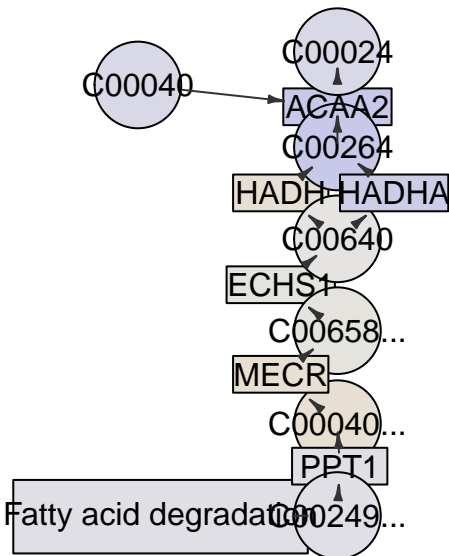
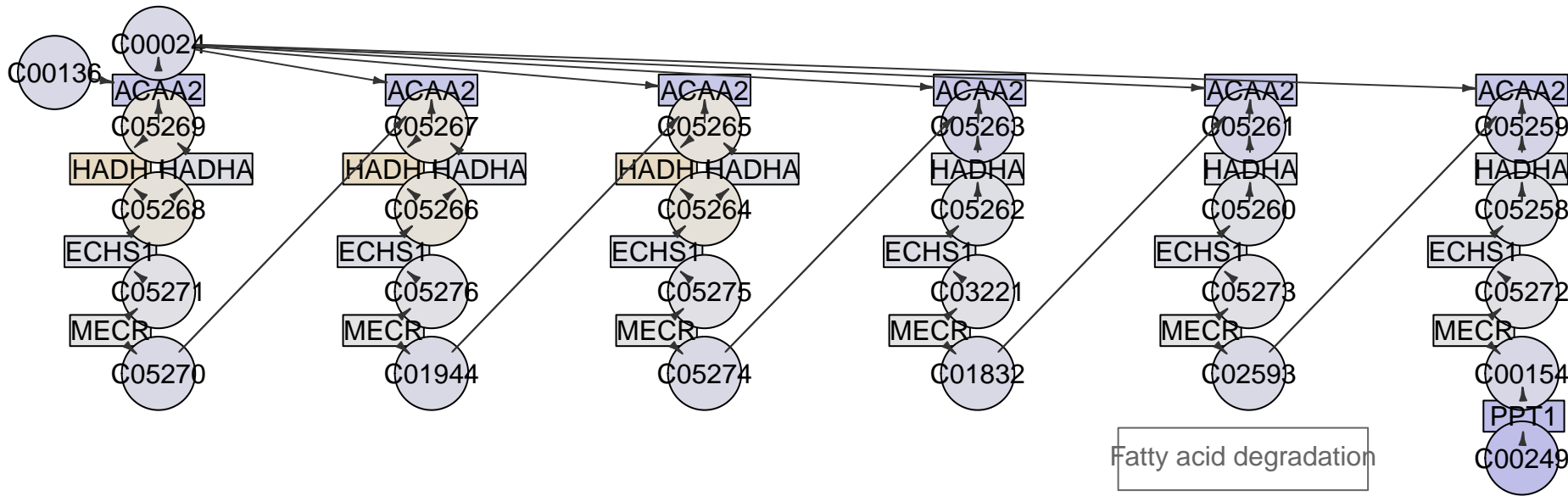


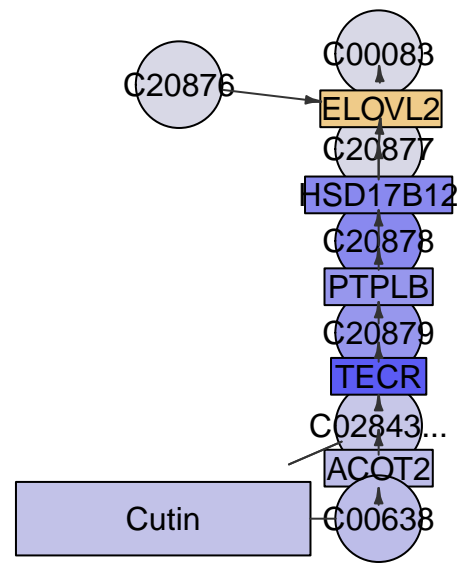
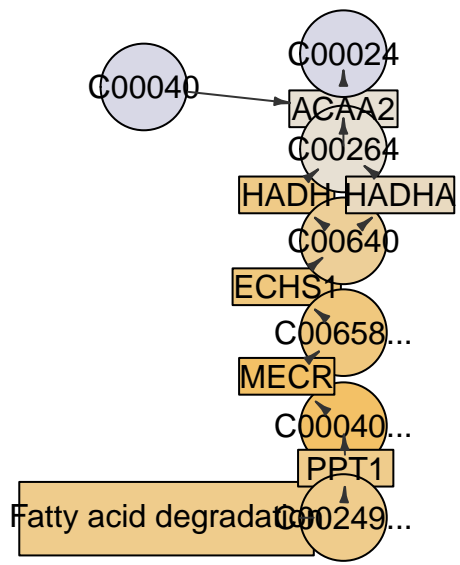
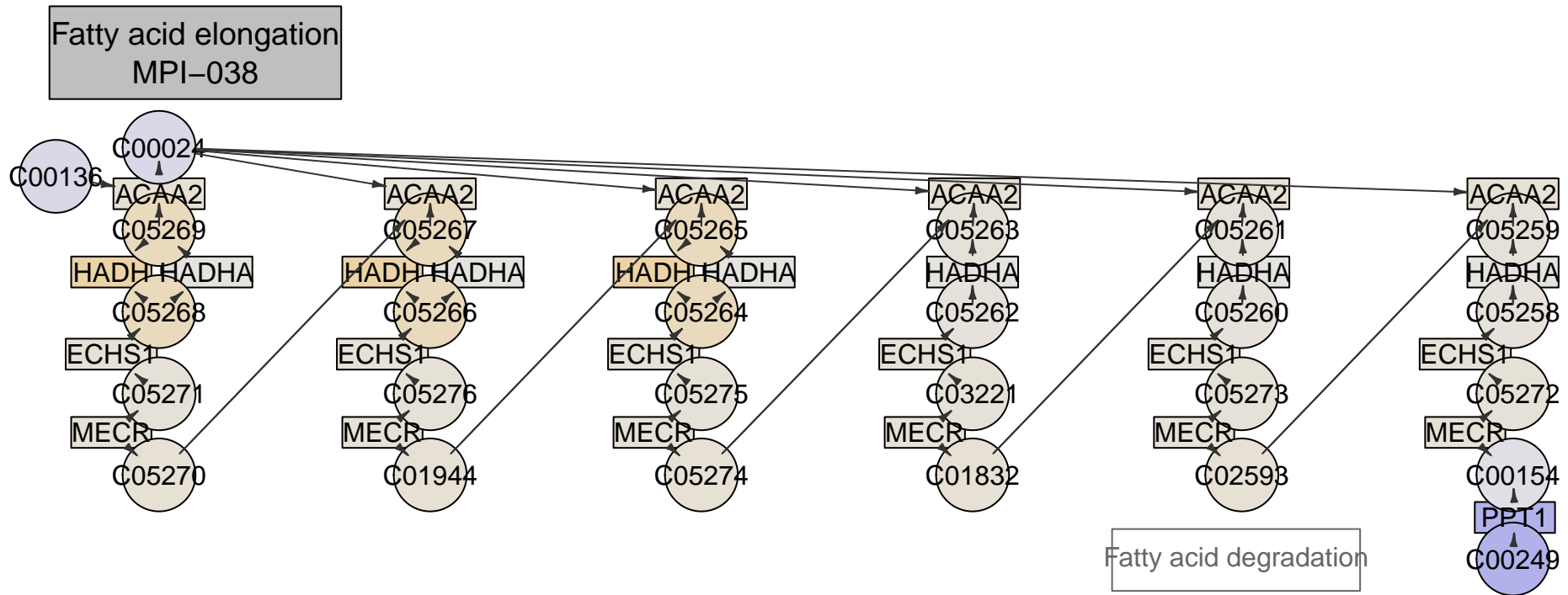


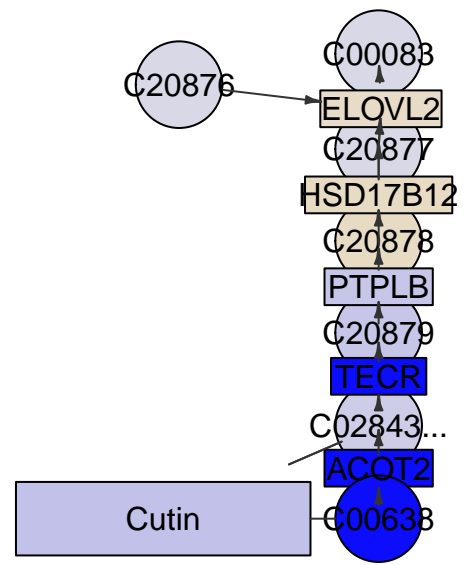
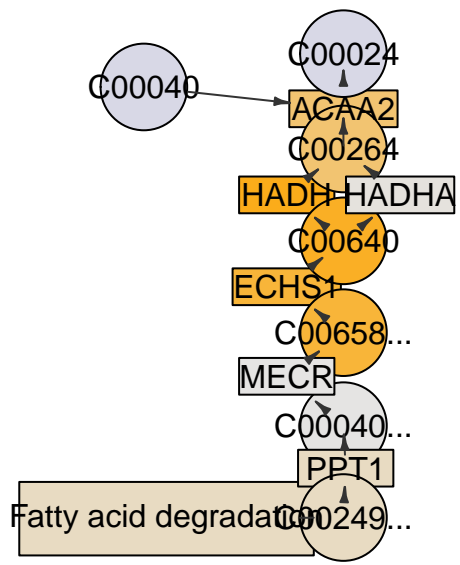
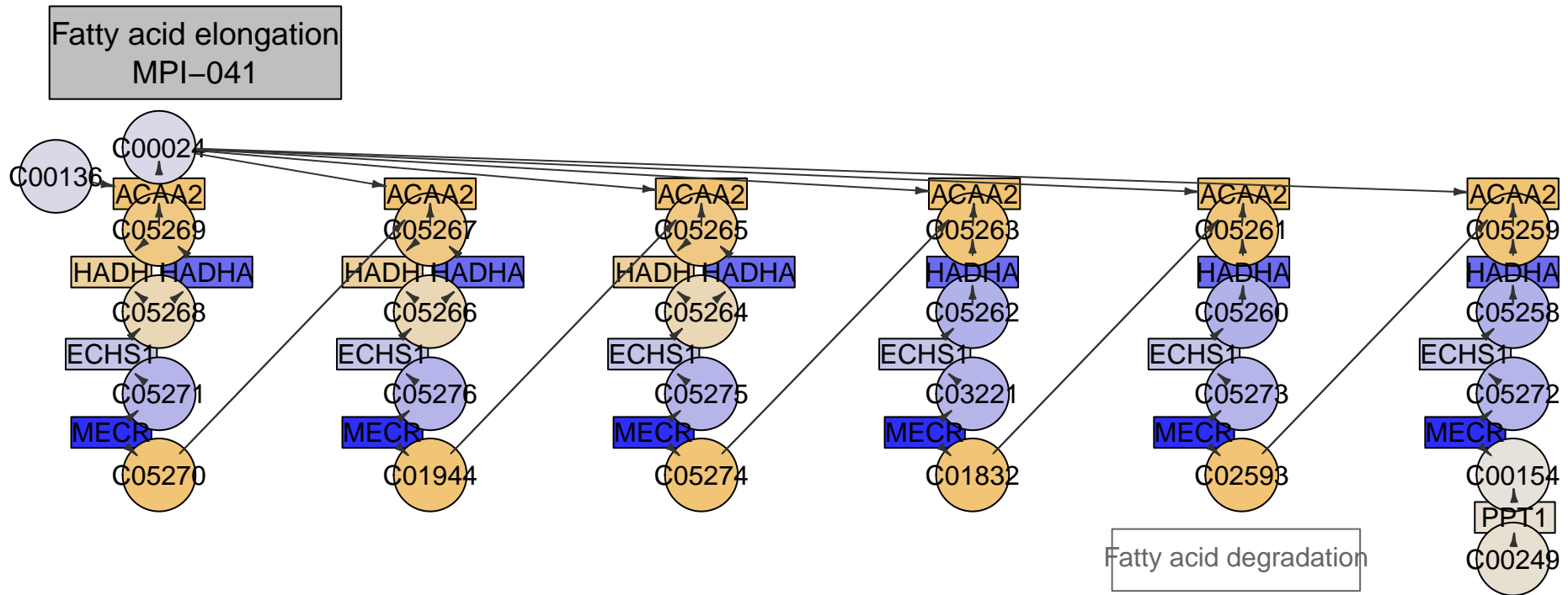


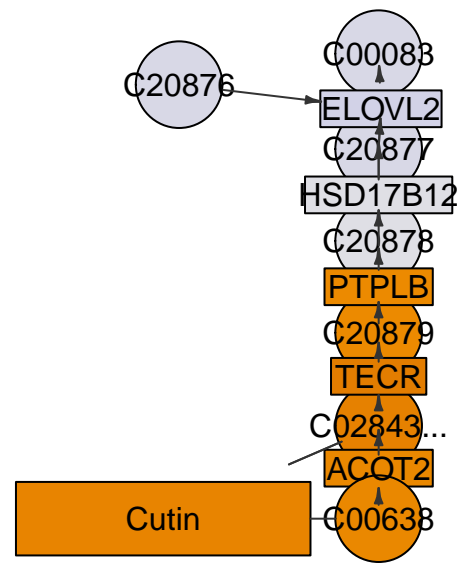
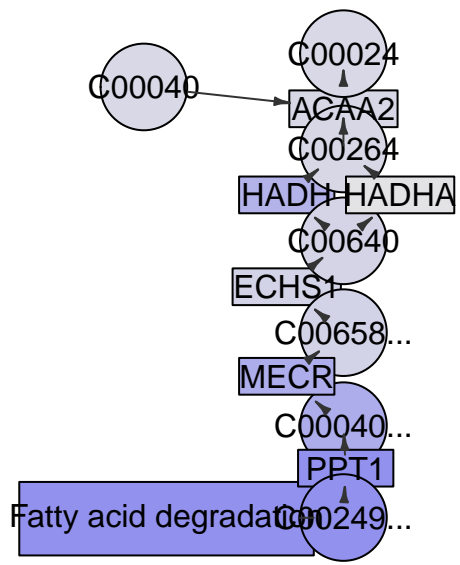
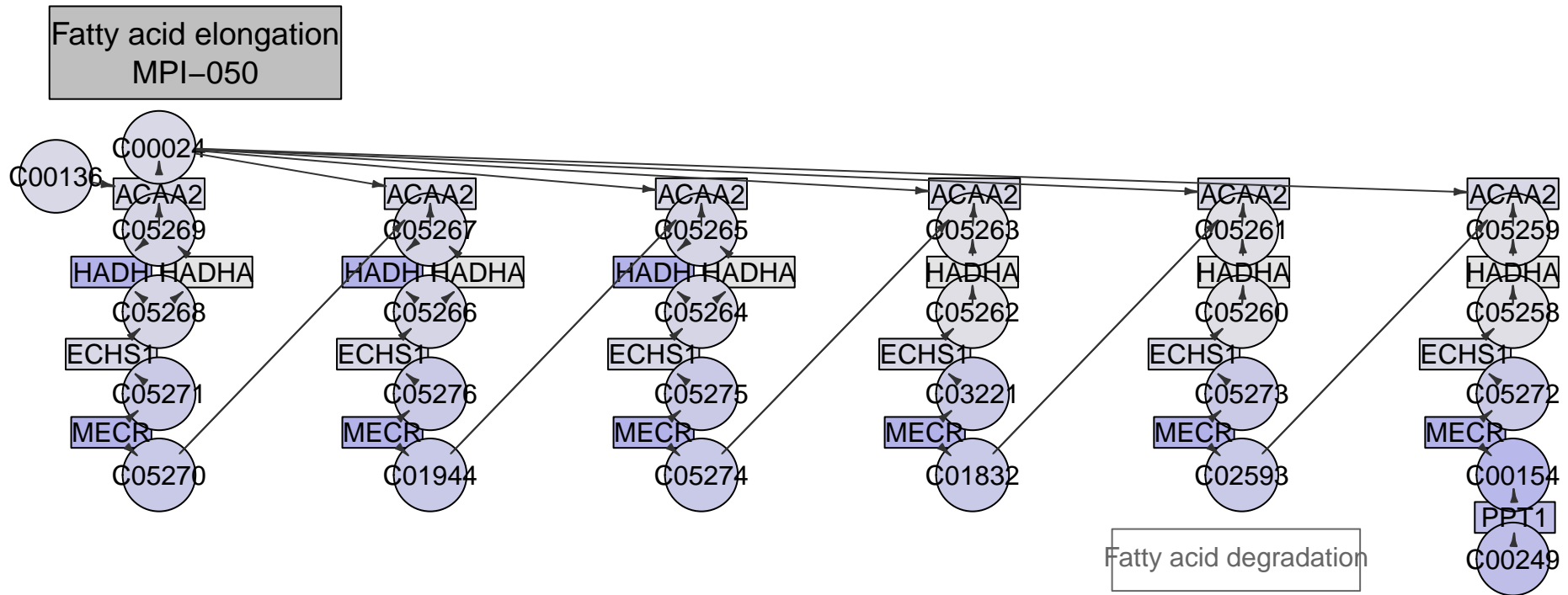


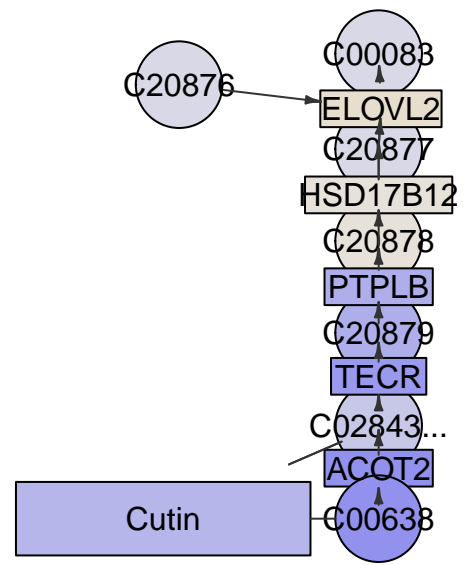
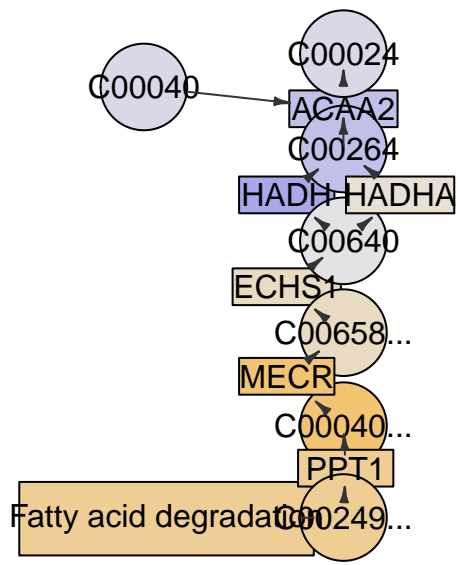
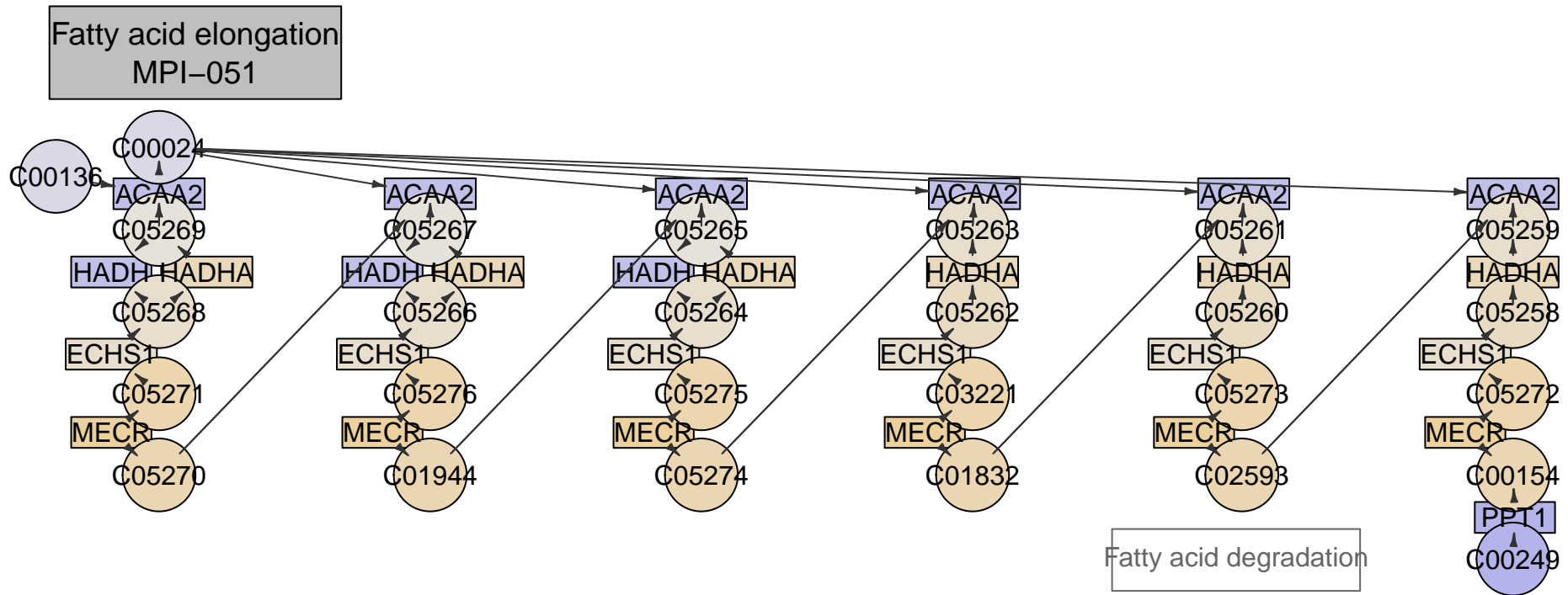
Fatty acid elongation
MPI-037

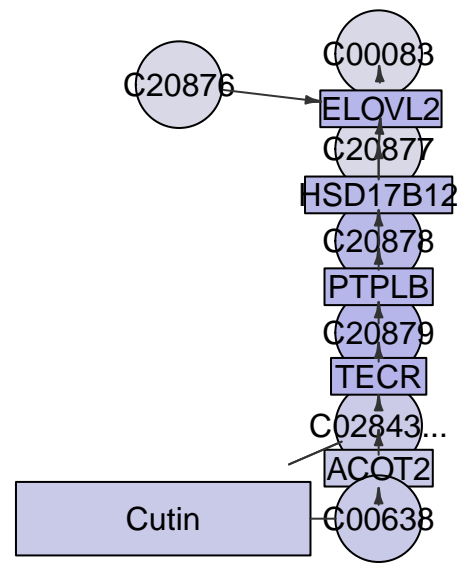
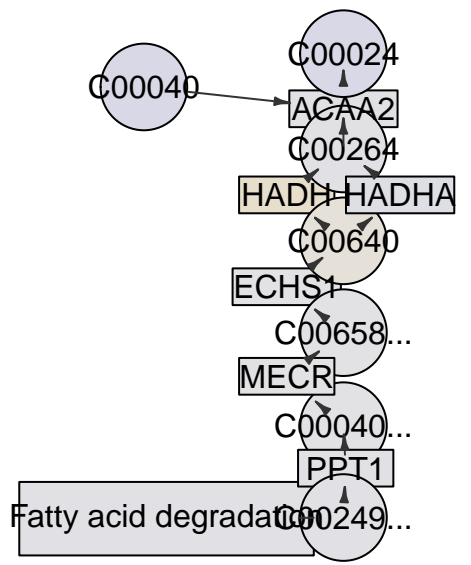
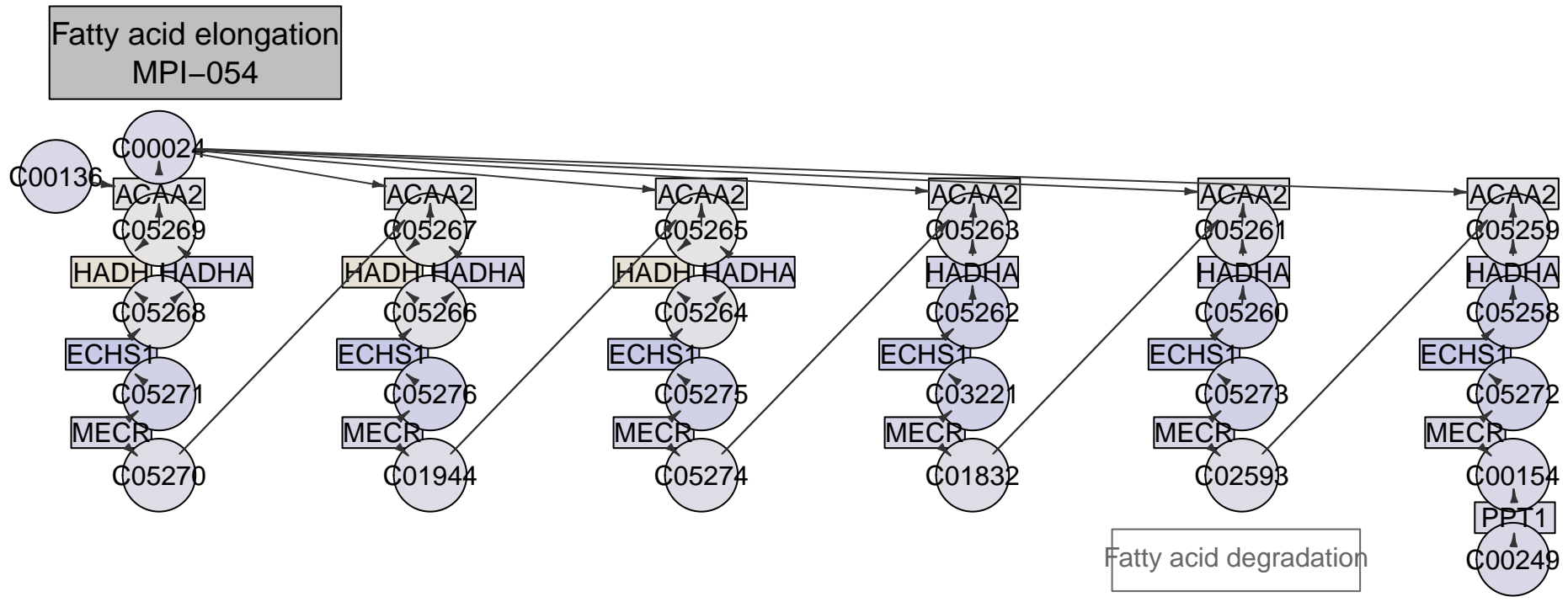


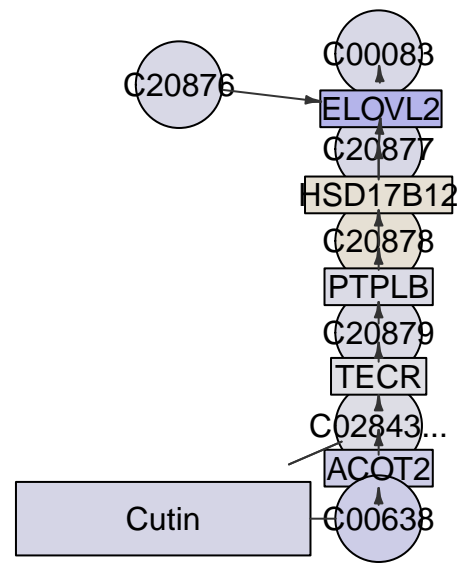
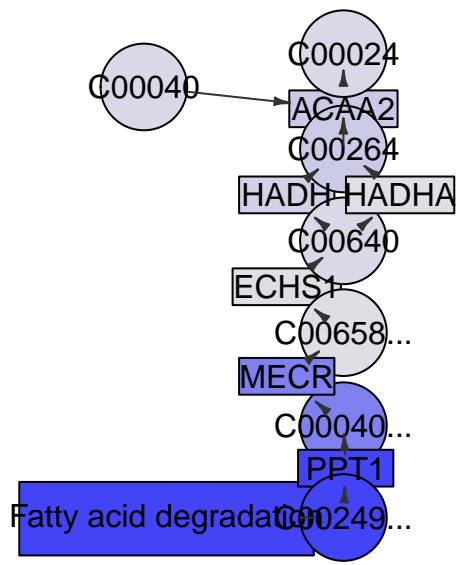
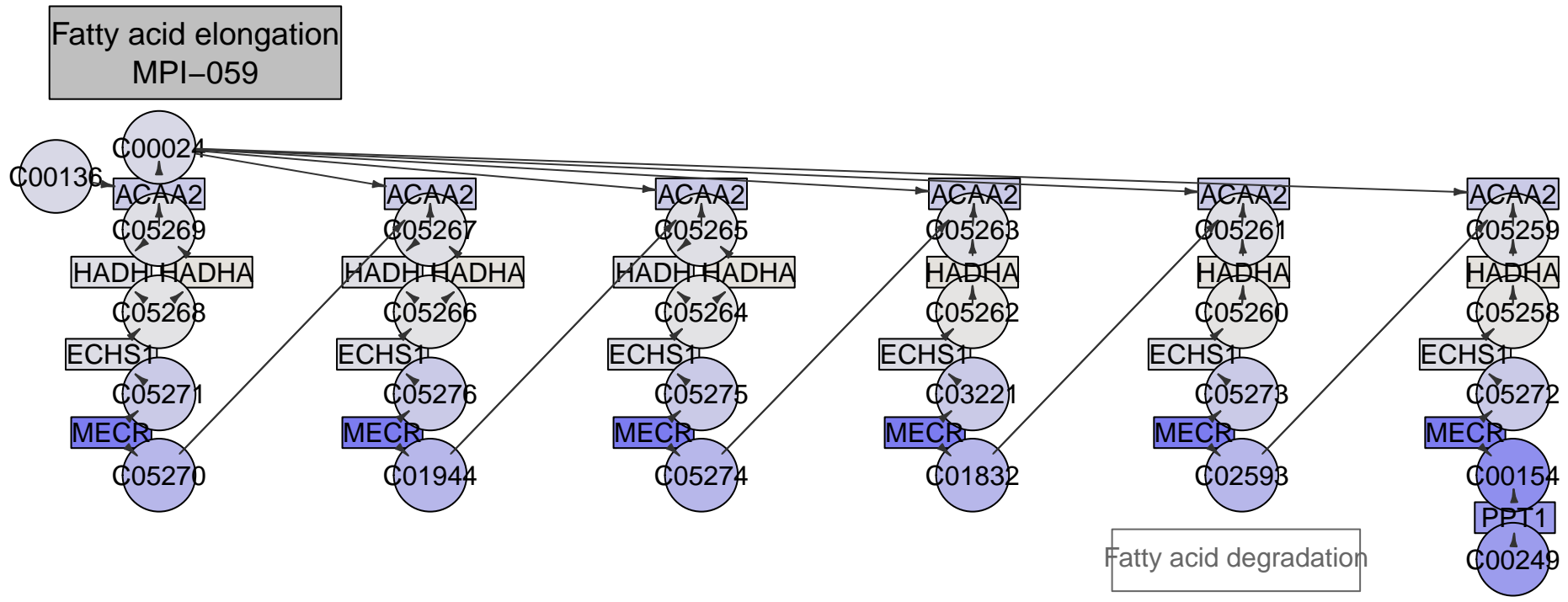


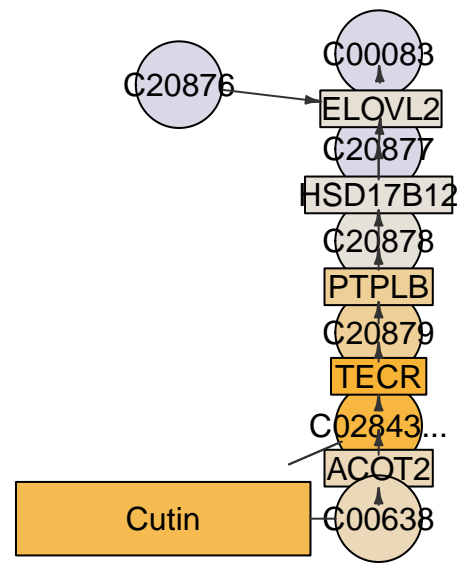
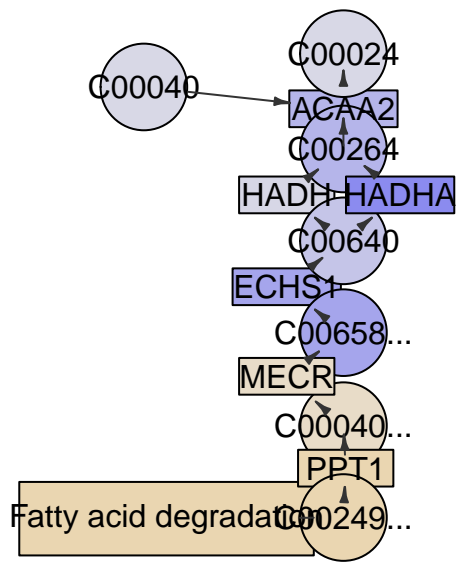
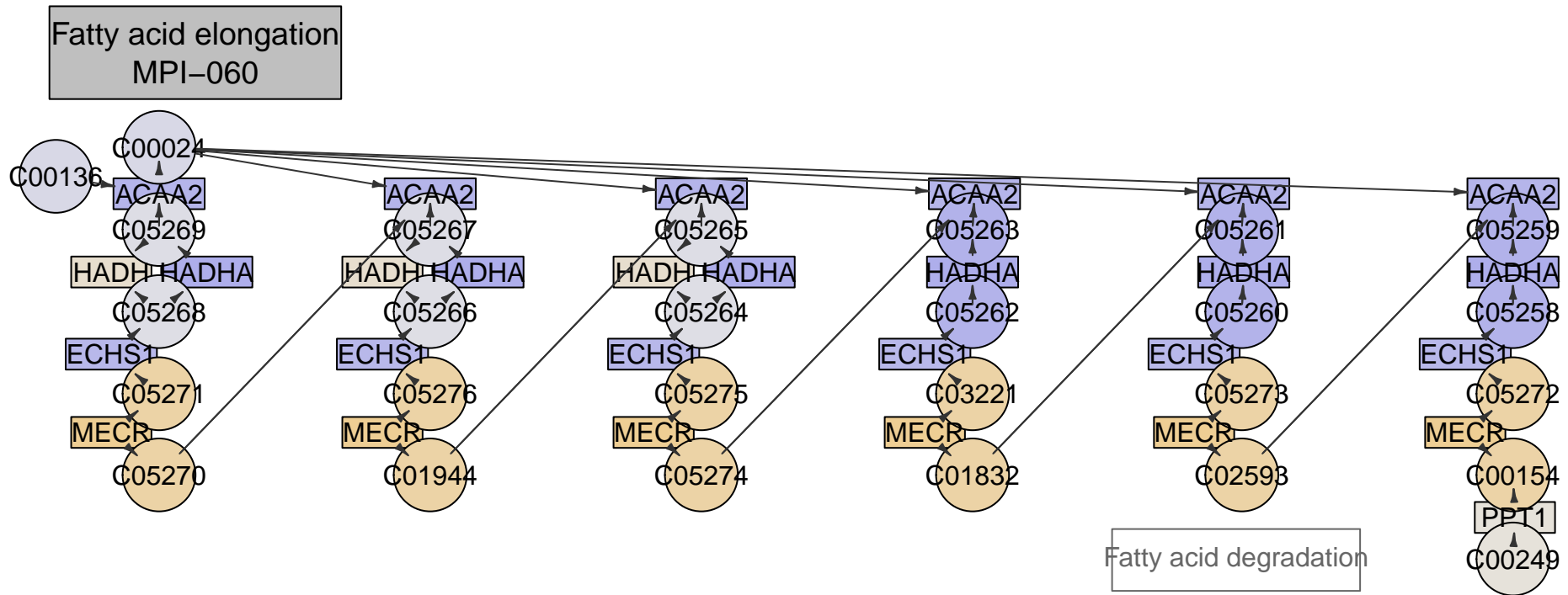


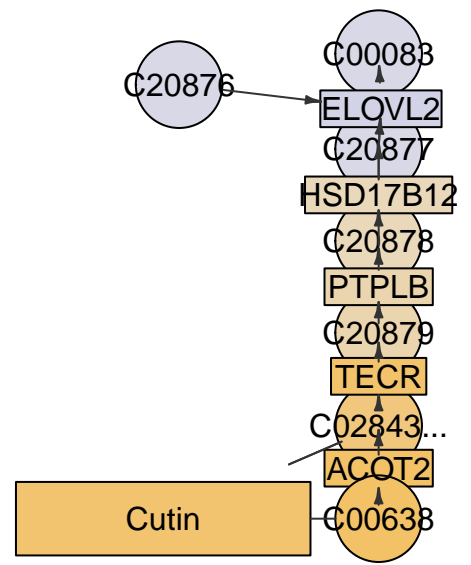
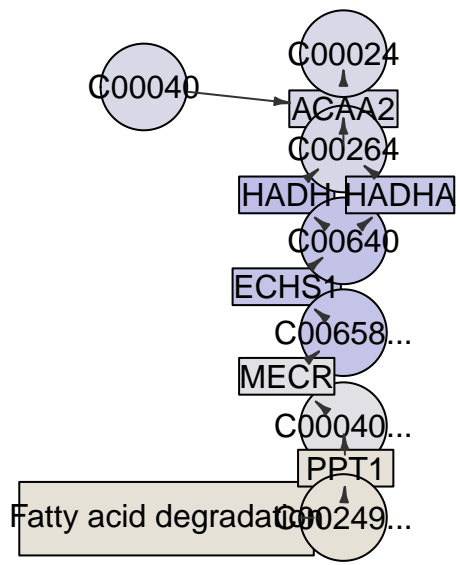
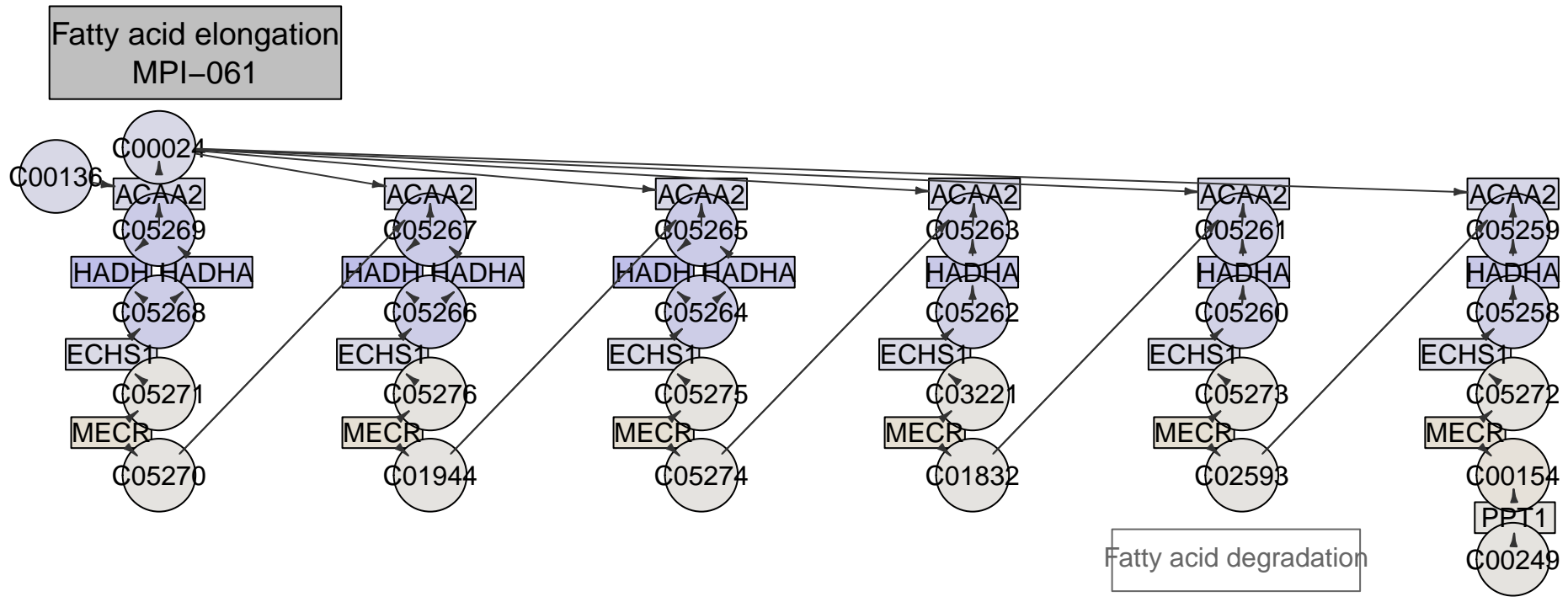


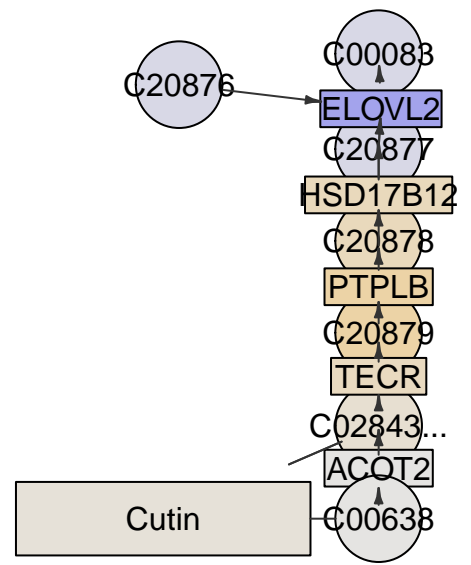
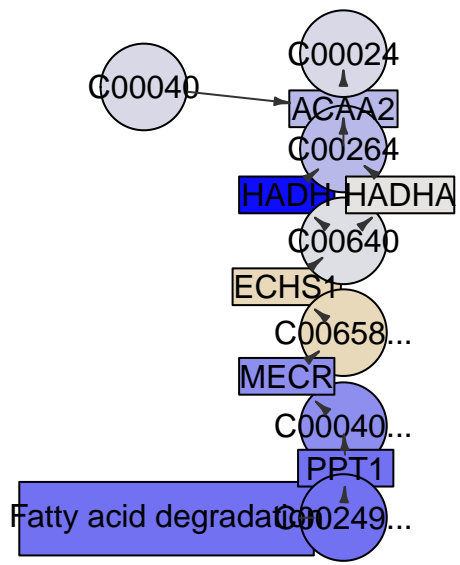
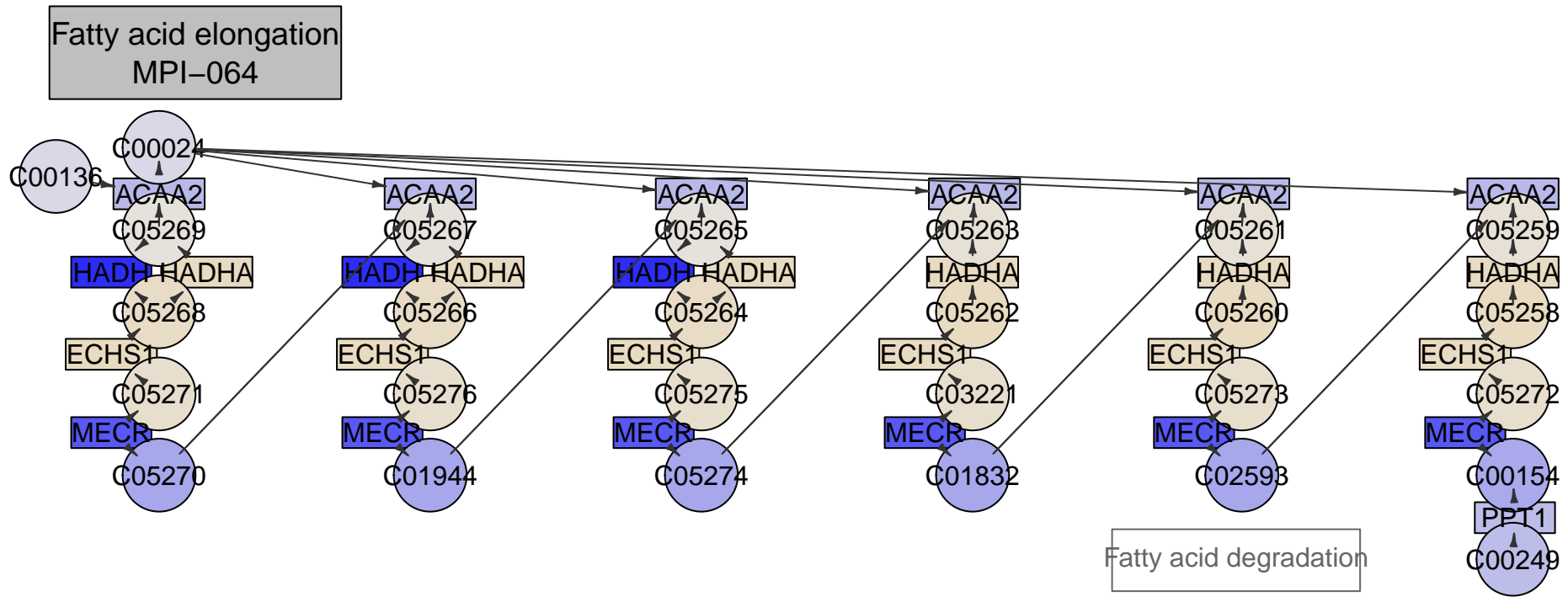


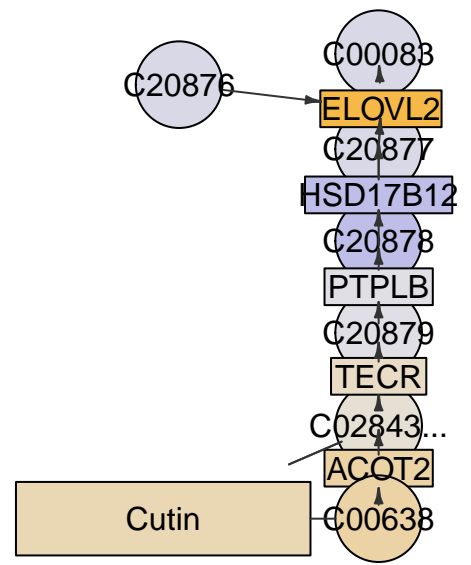
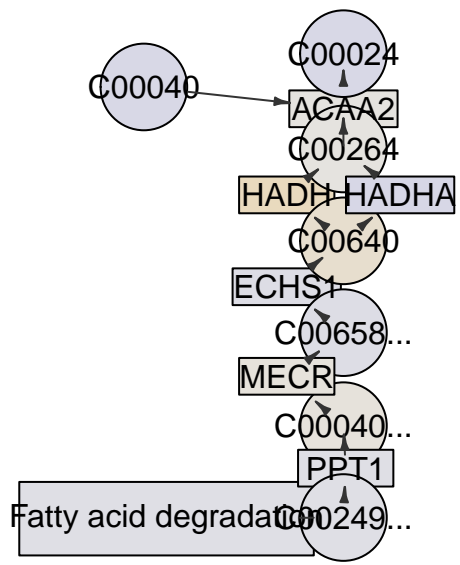
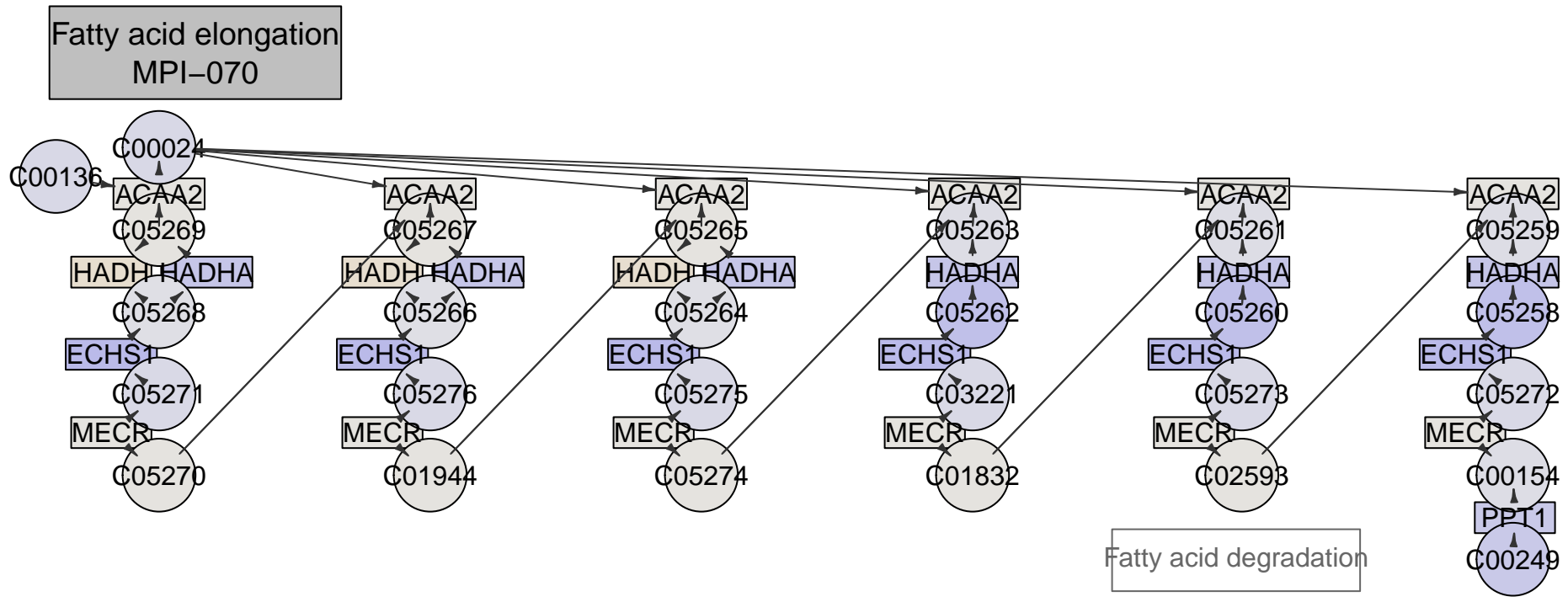


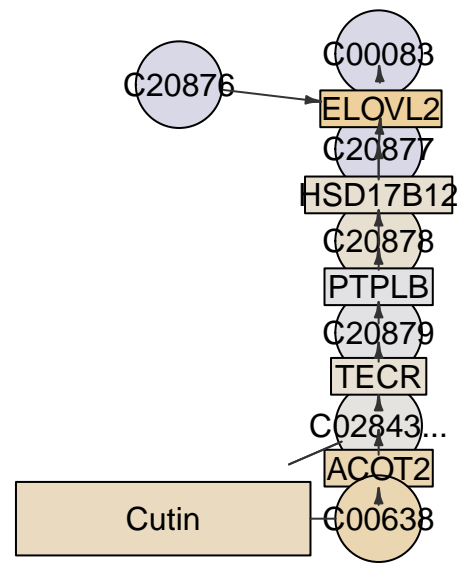
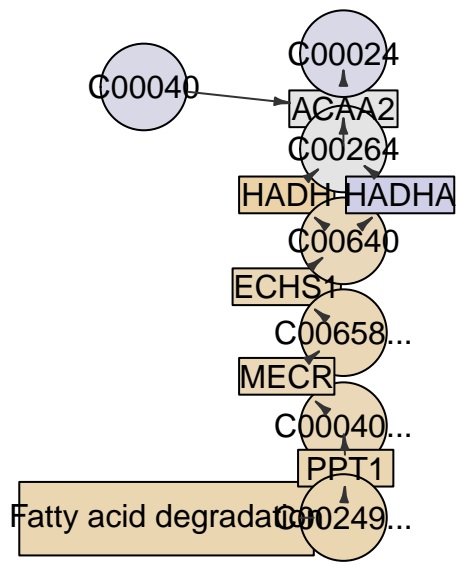
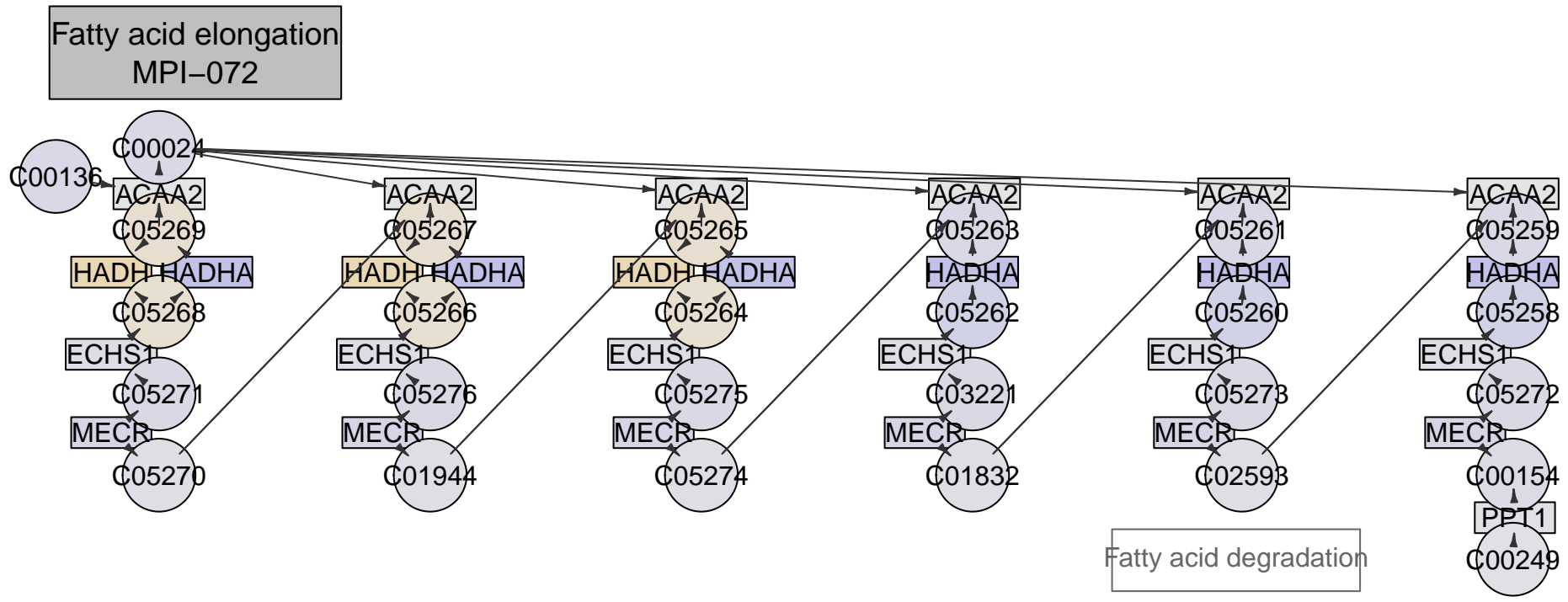




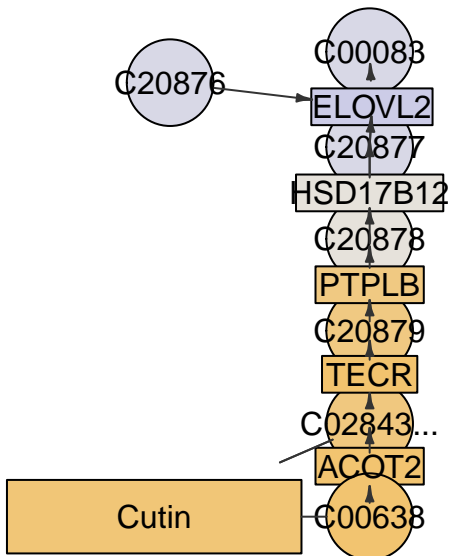
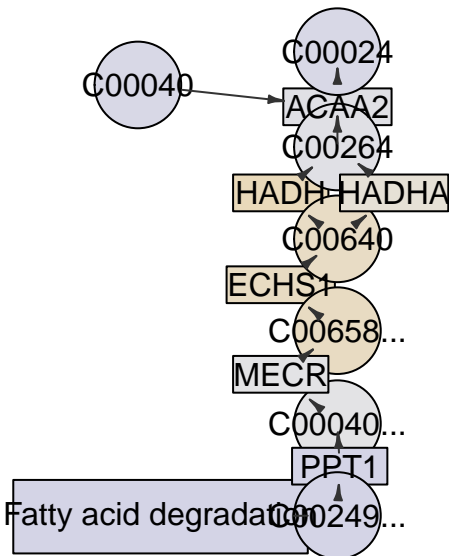
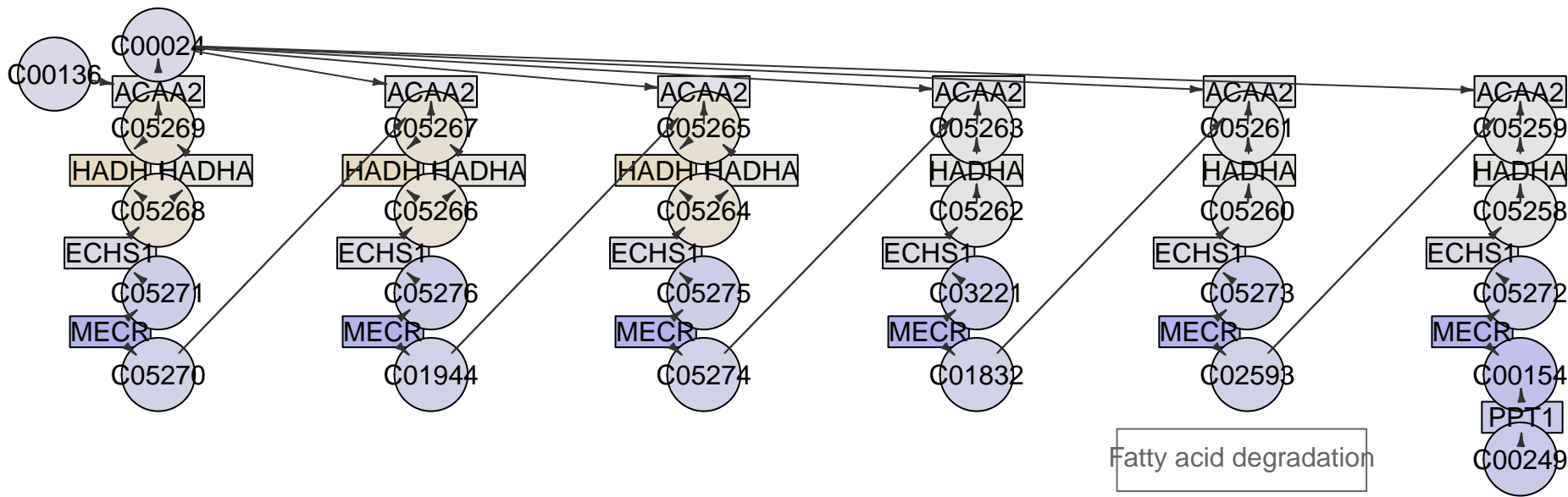


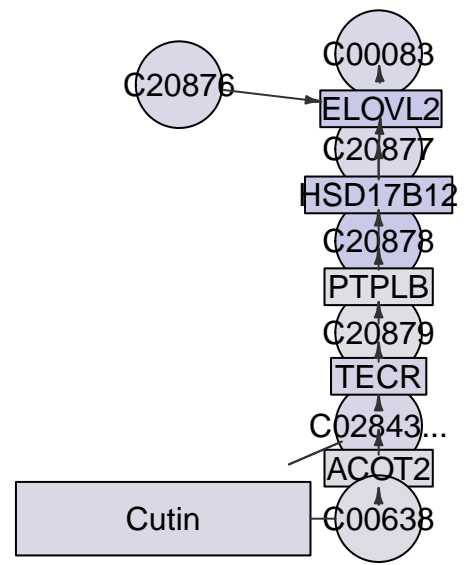
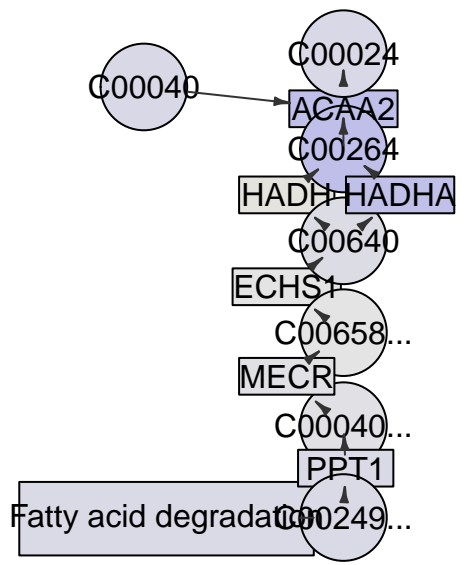
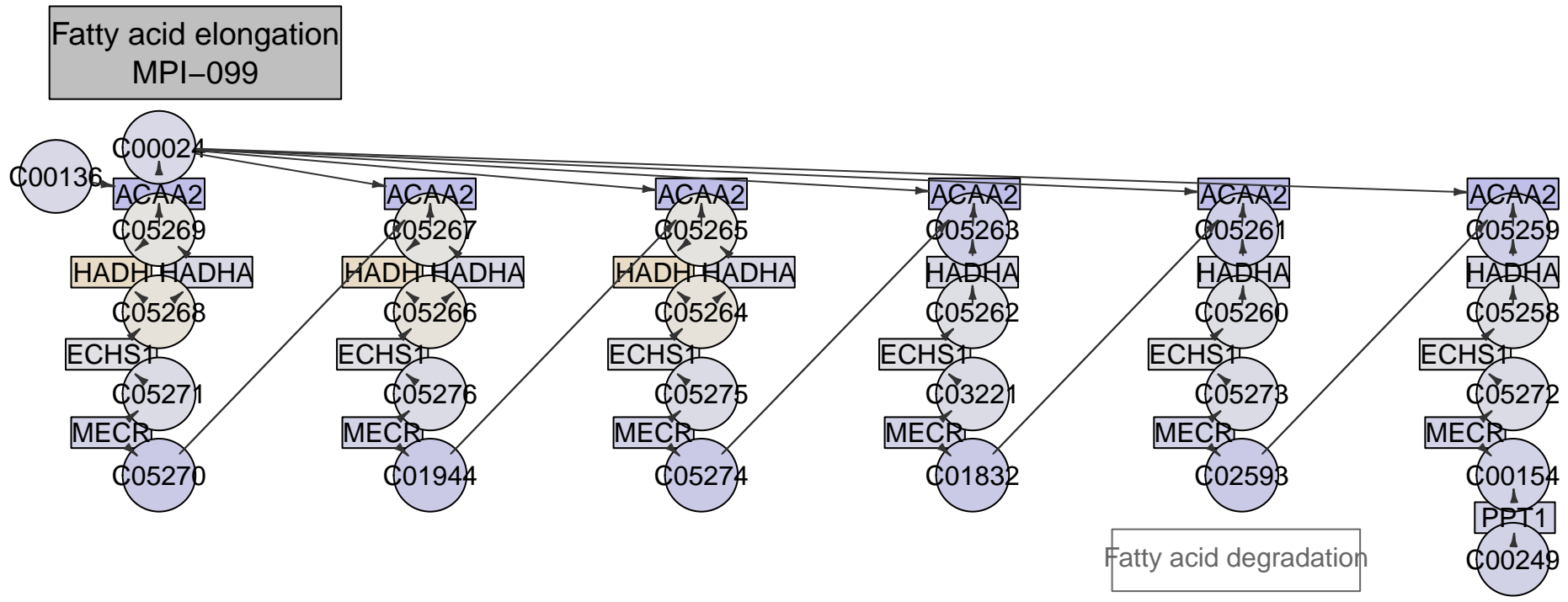


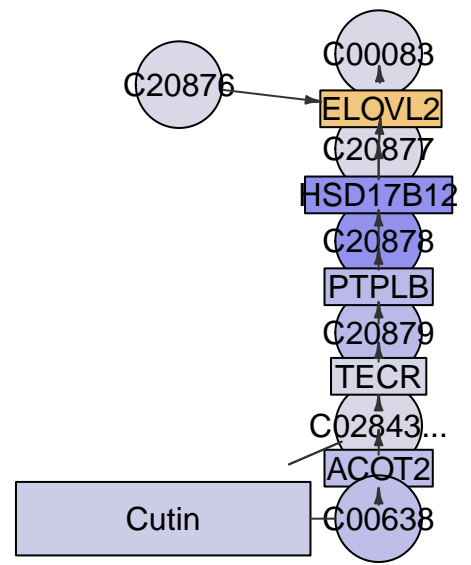
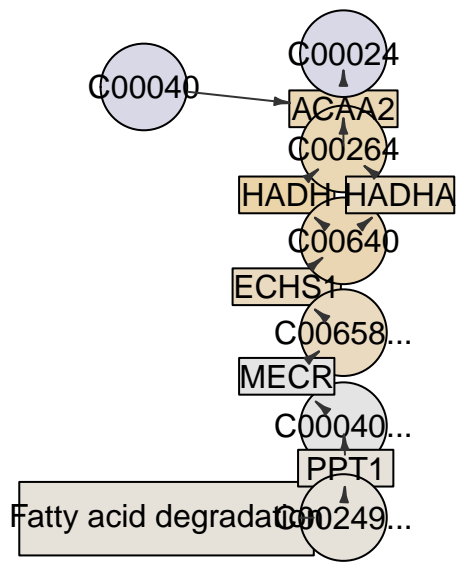
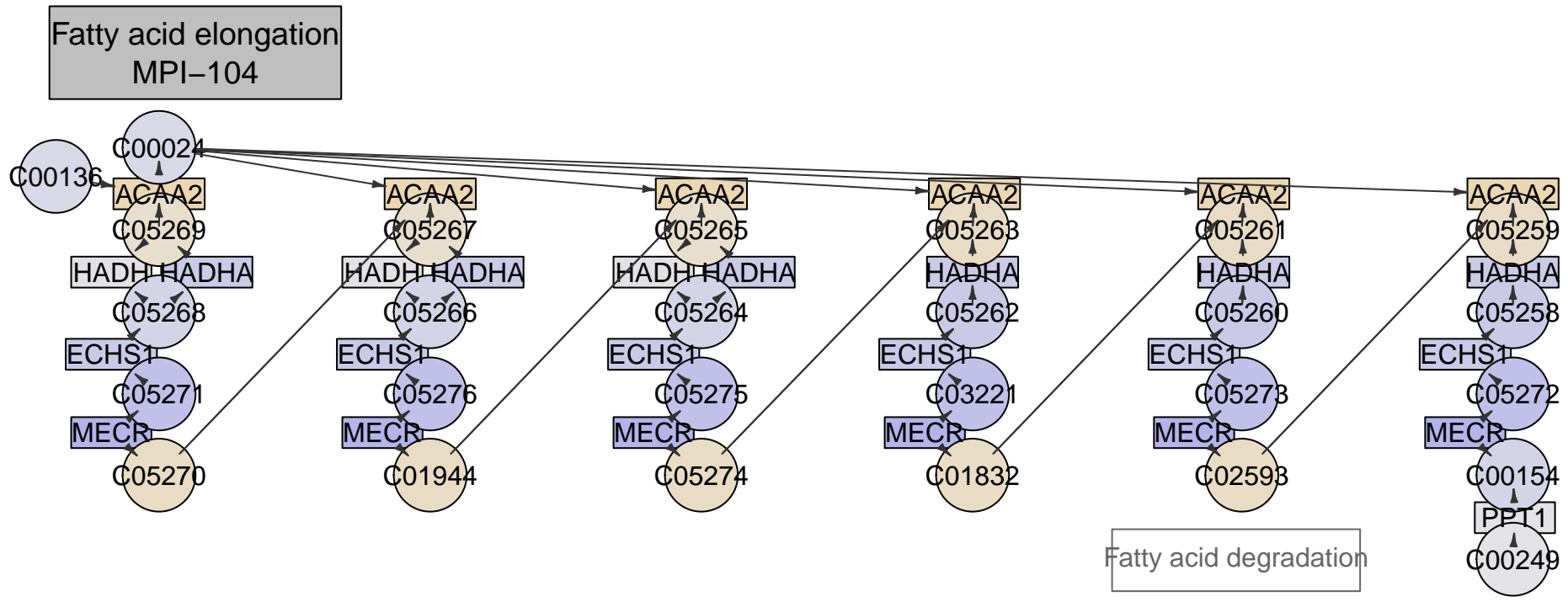


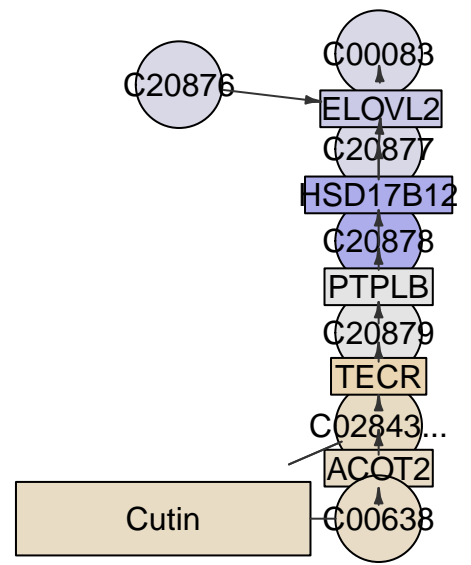
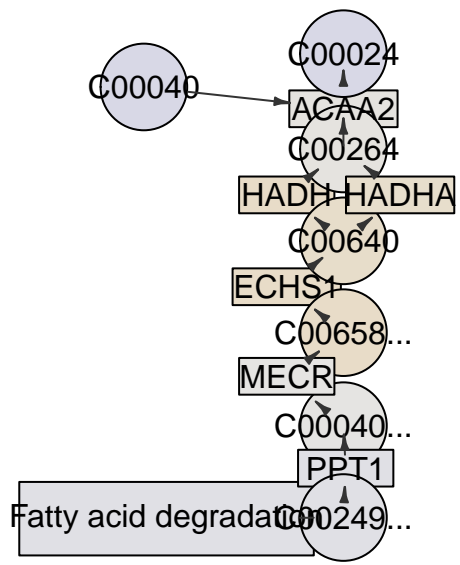
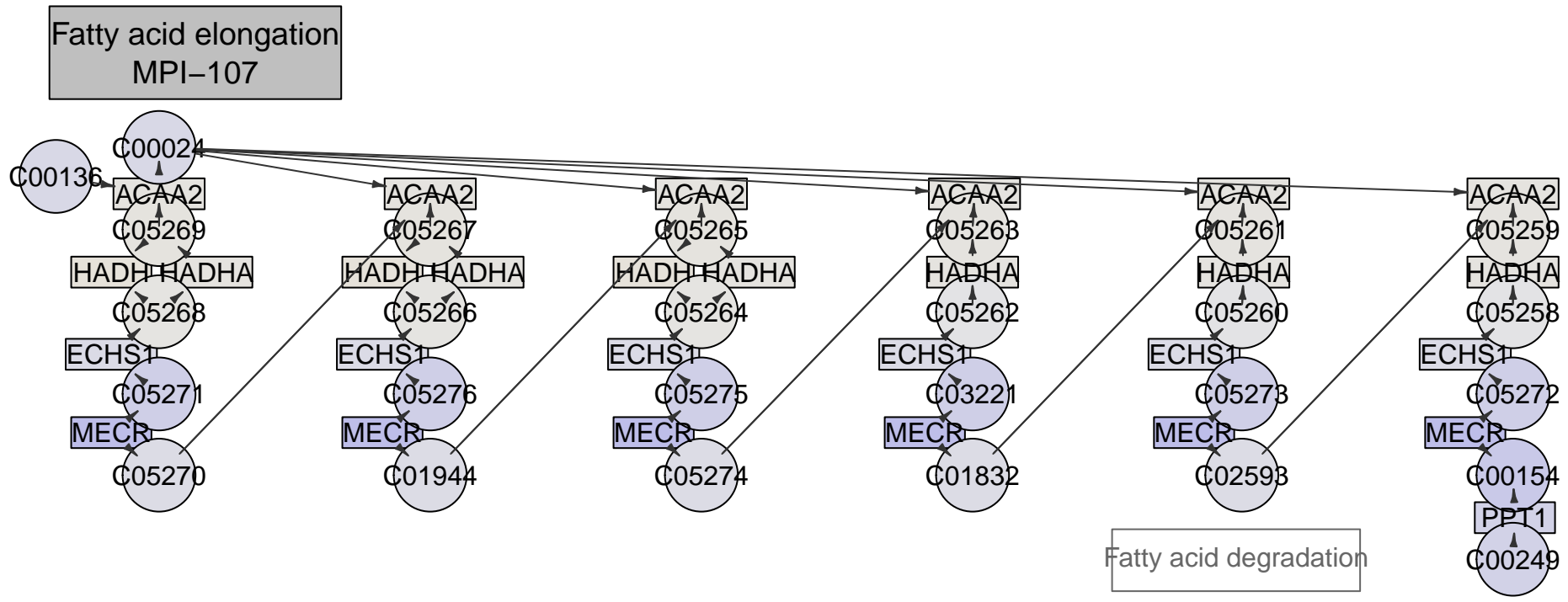


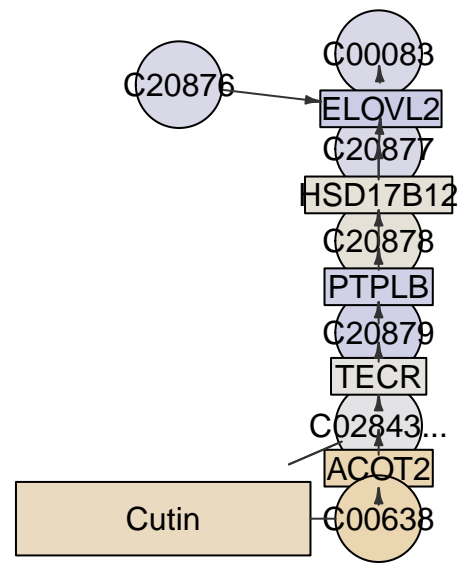
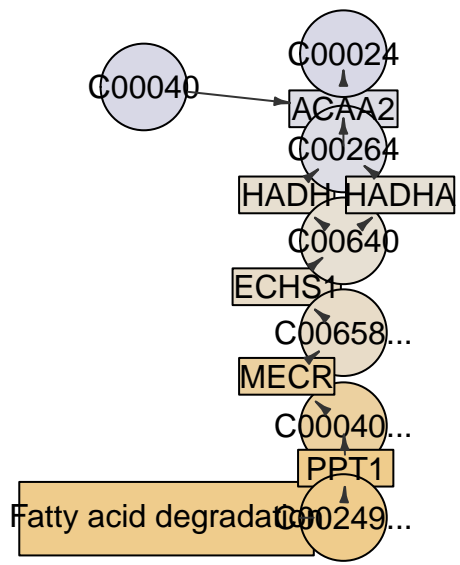
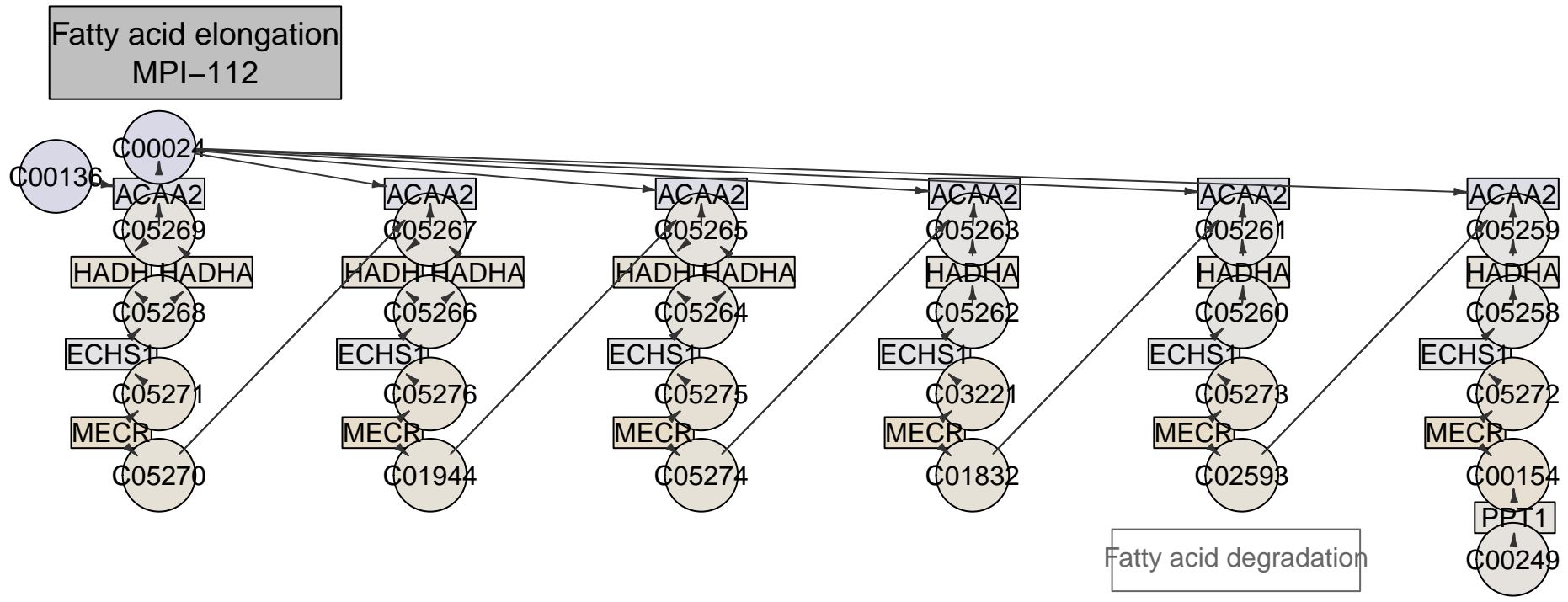
Fatty acid elongation
MPI-093



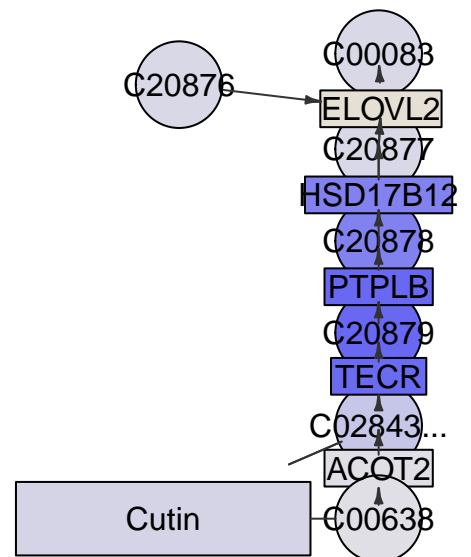
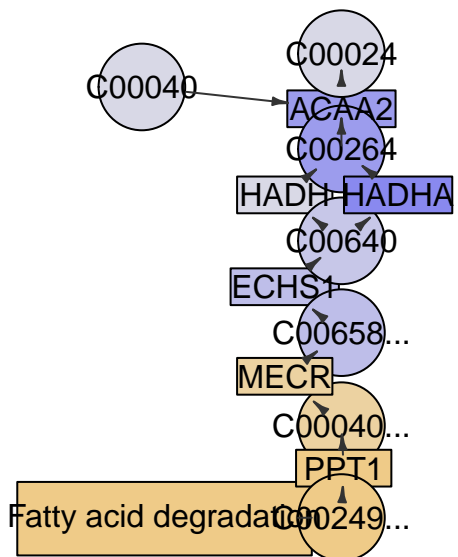
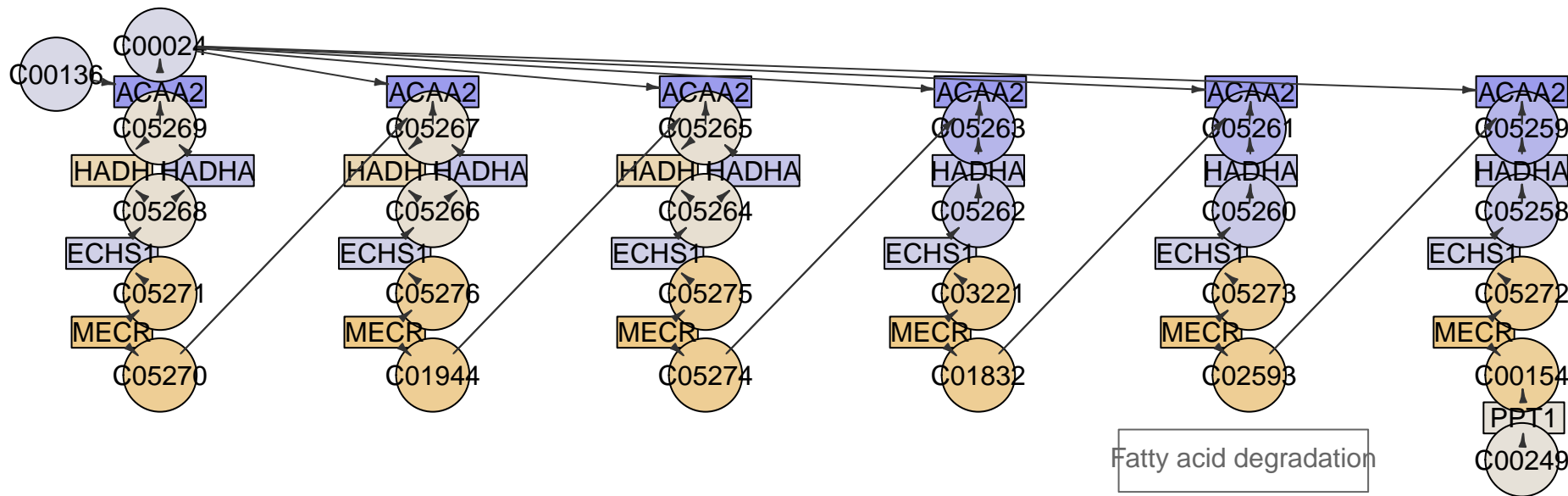


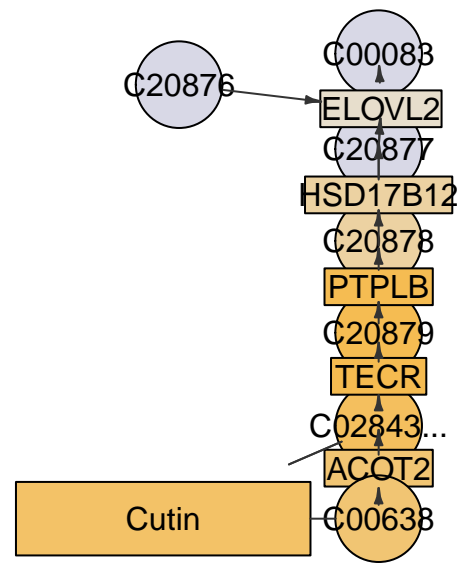
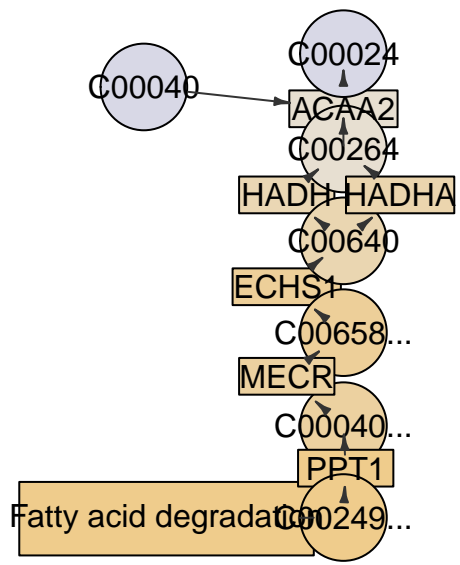
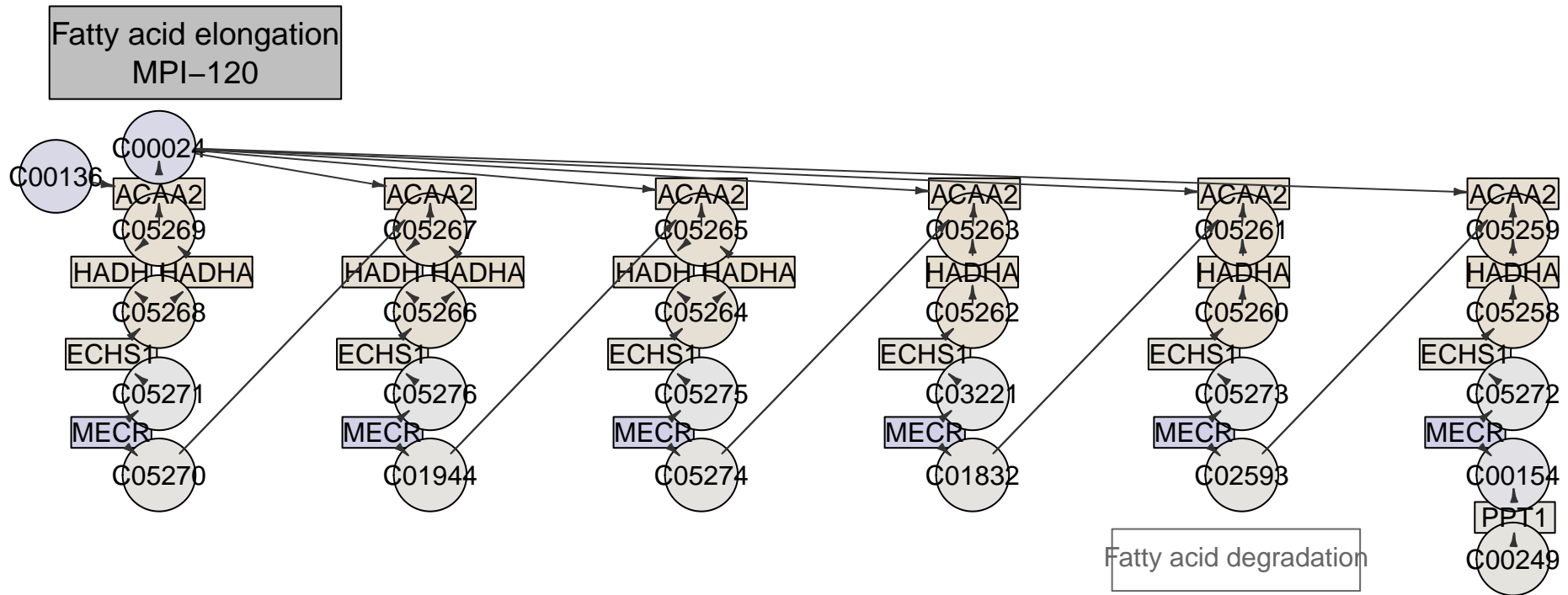


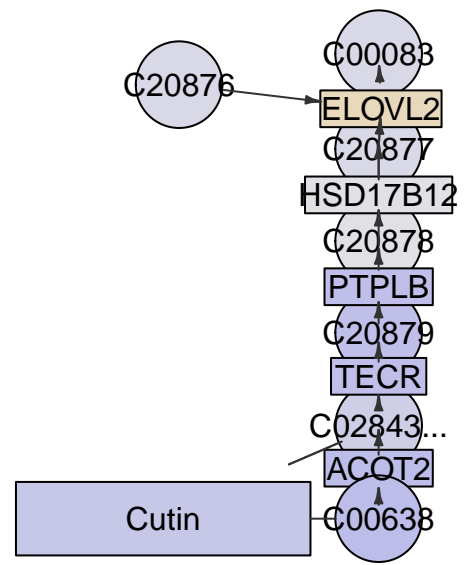
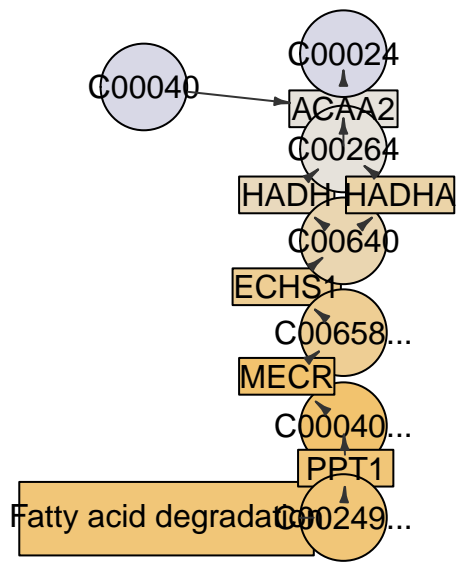
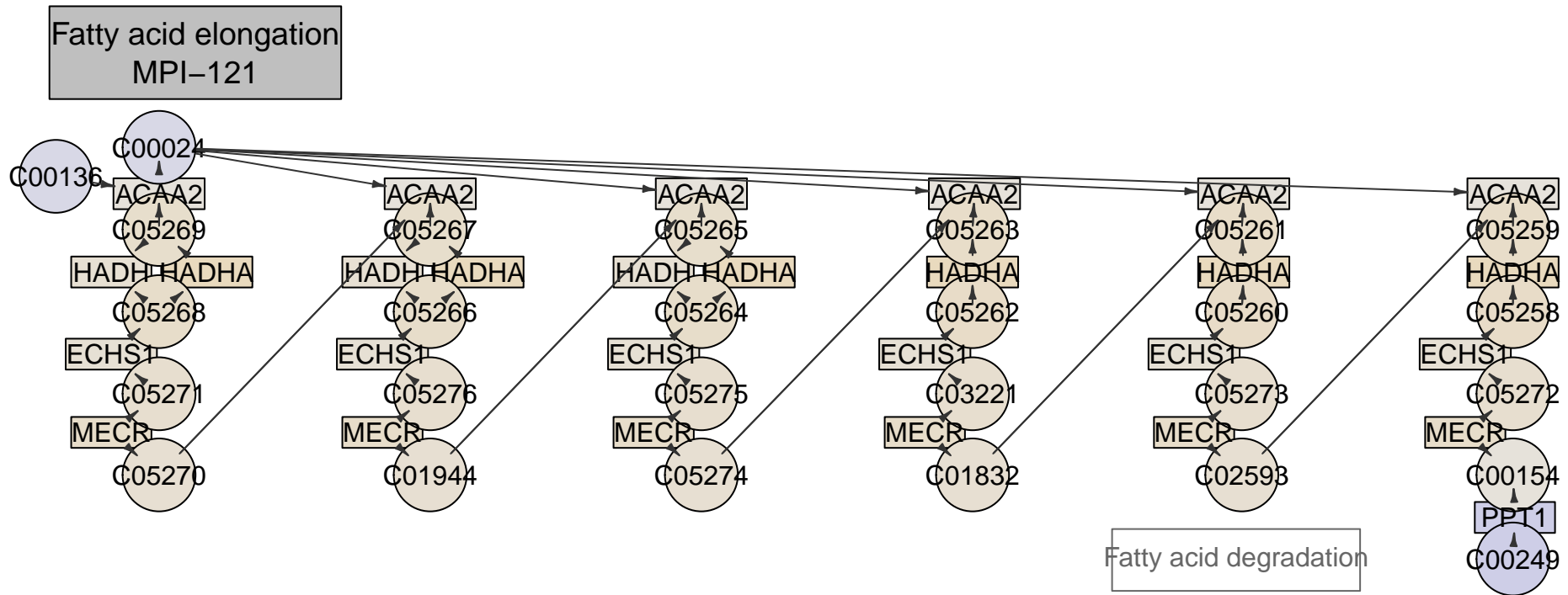


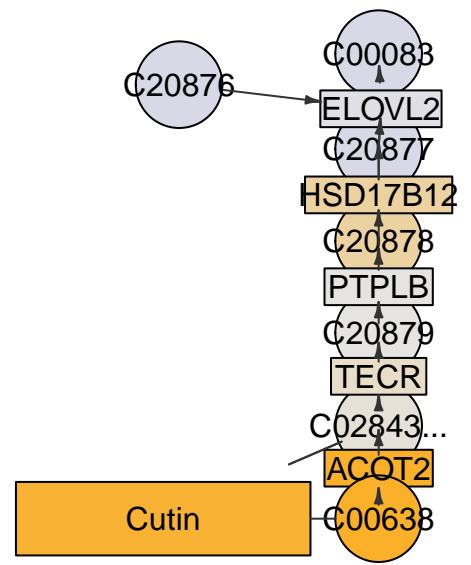
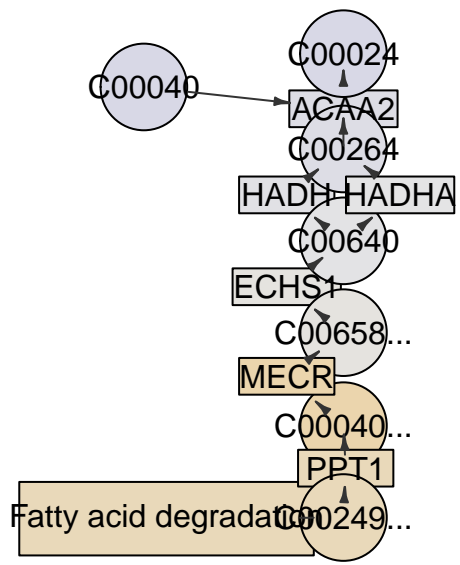
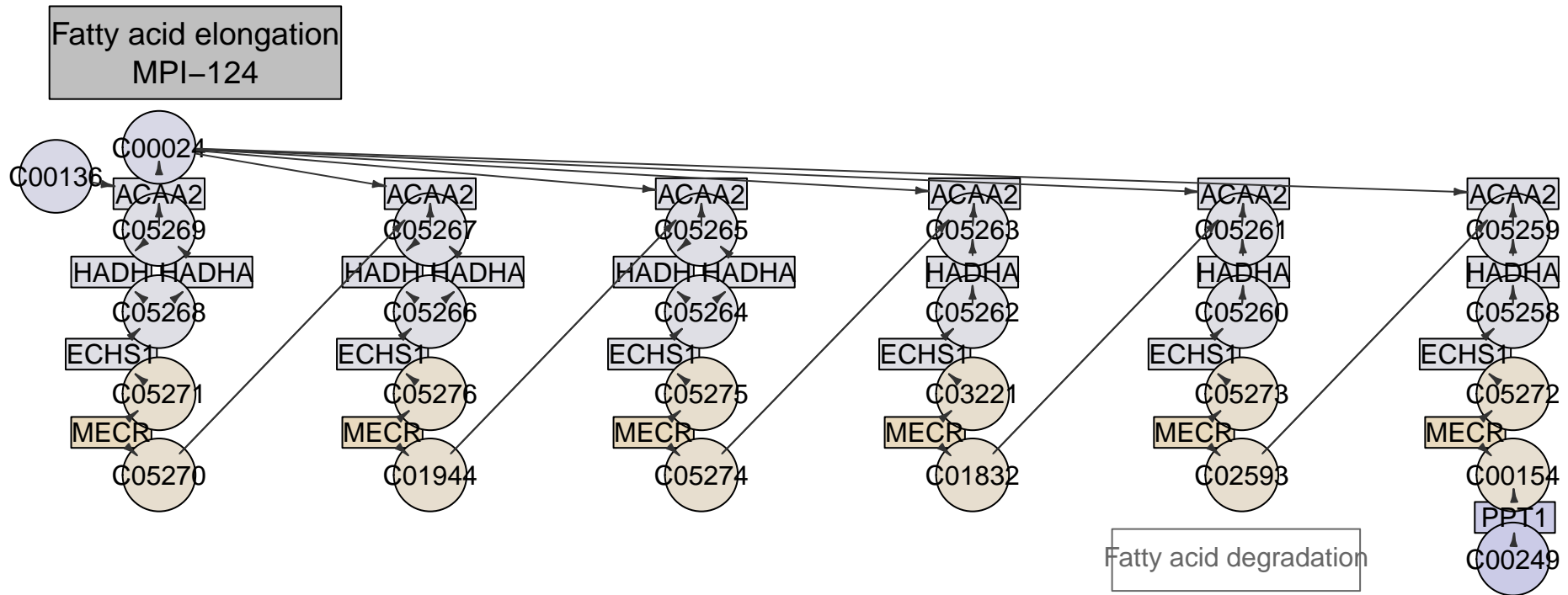


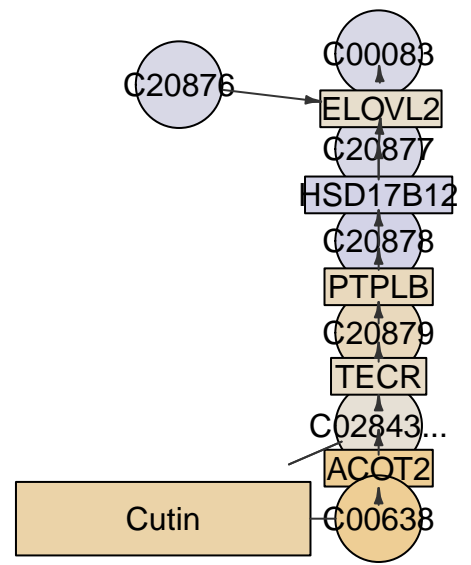
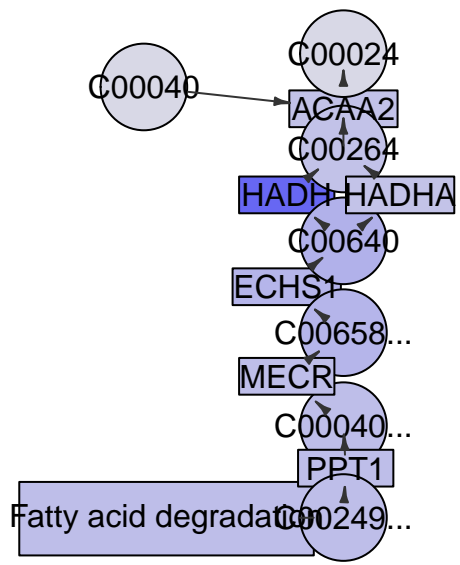
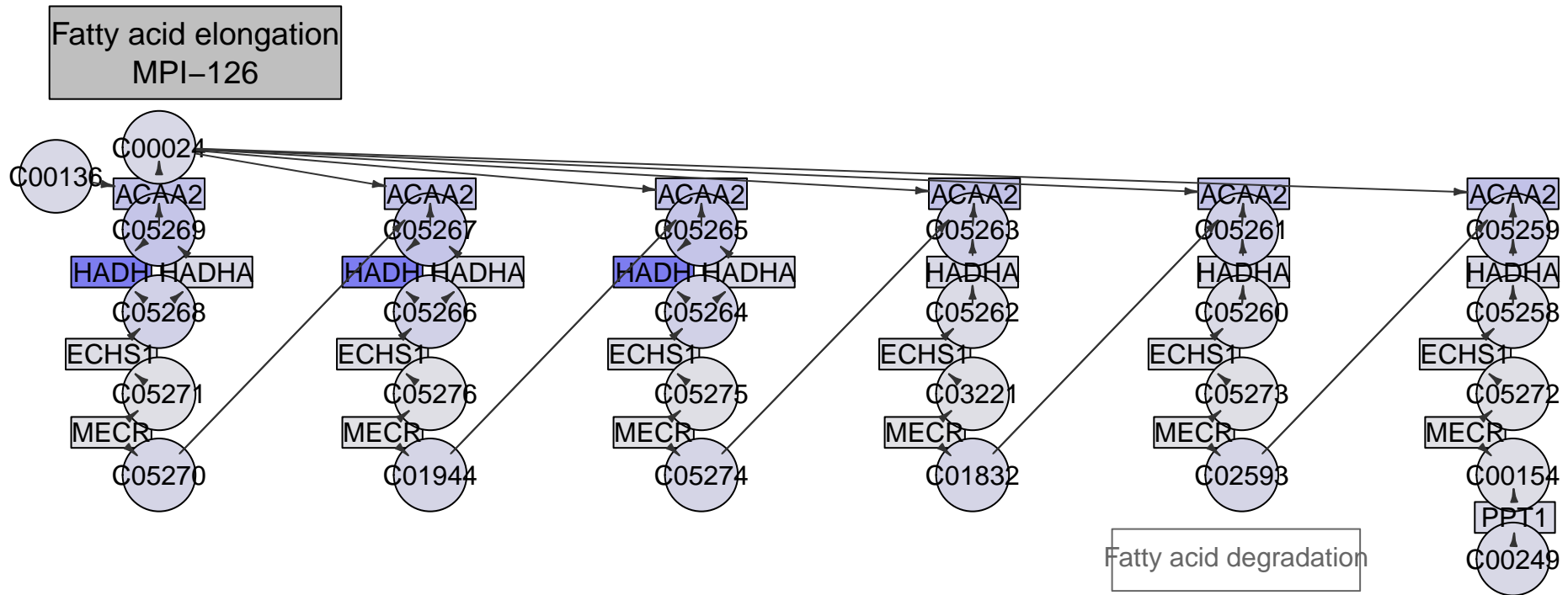
Fatty acid elongation
MPI-116

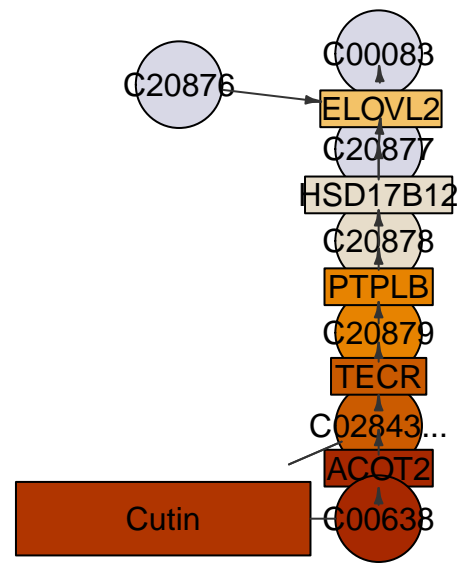
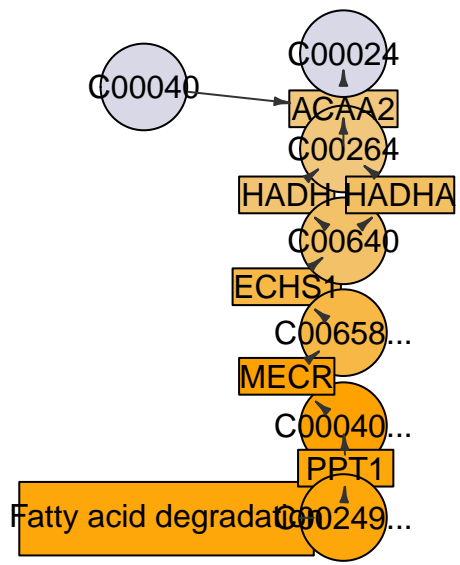
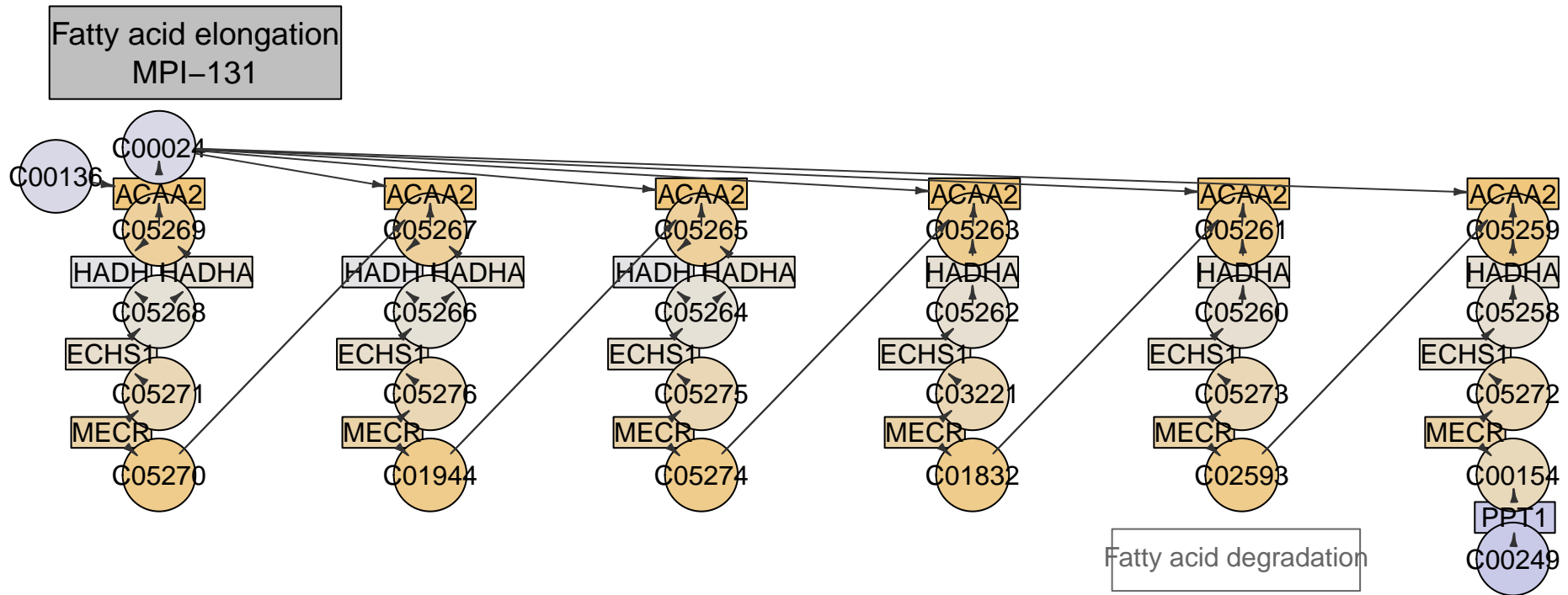


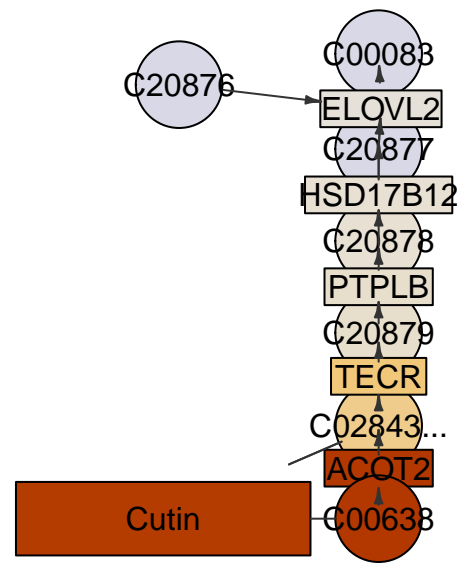
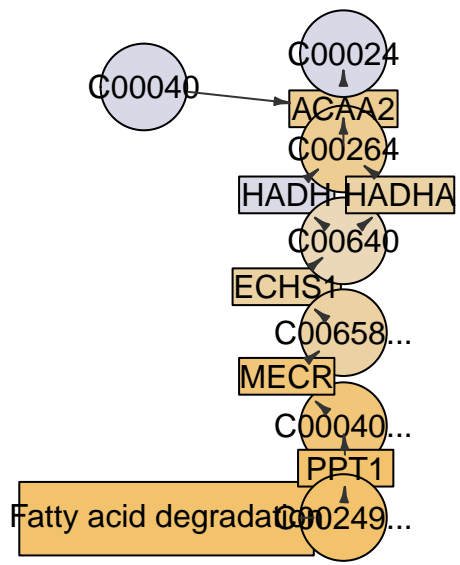
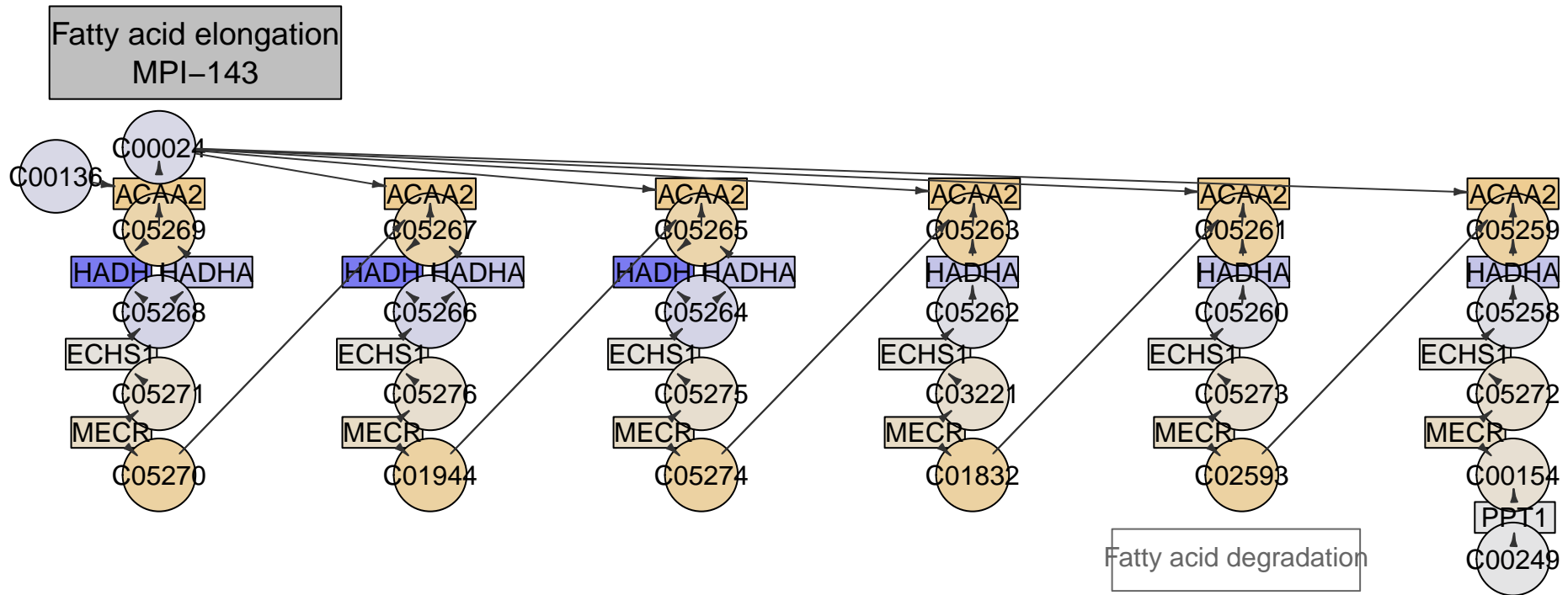




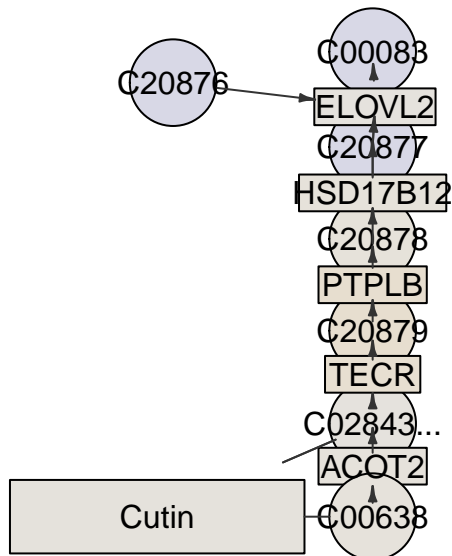
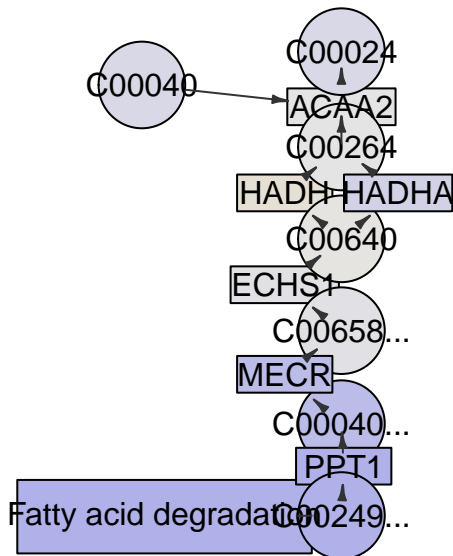
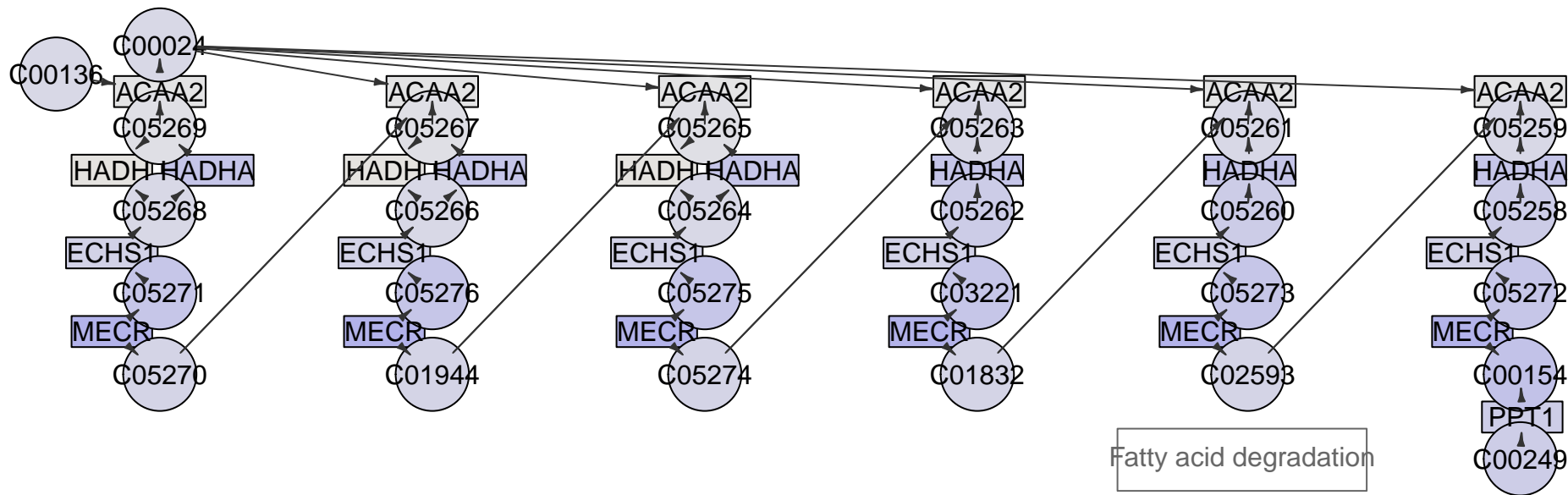


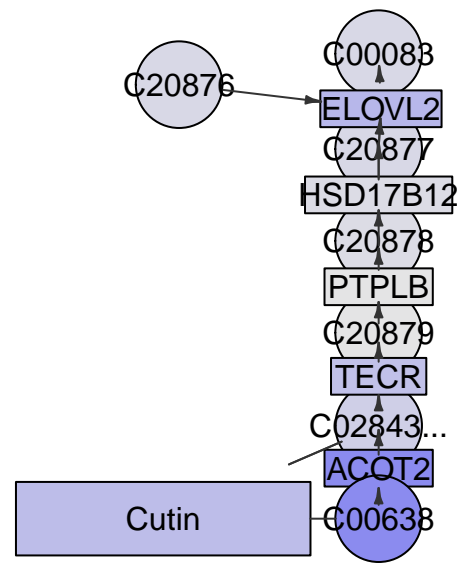
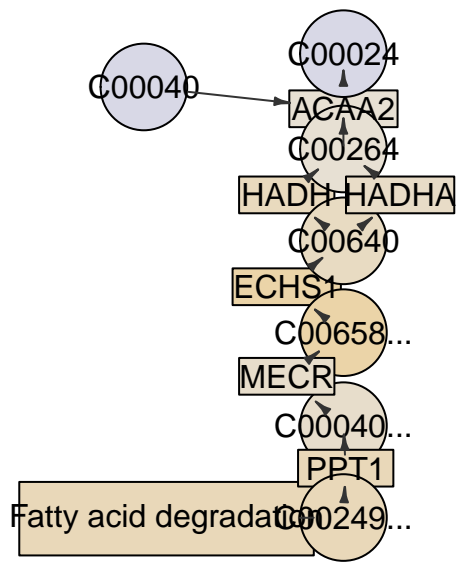
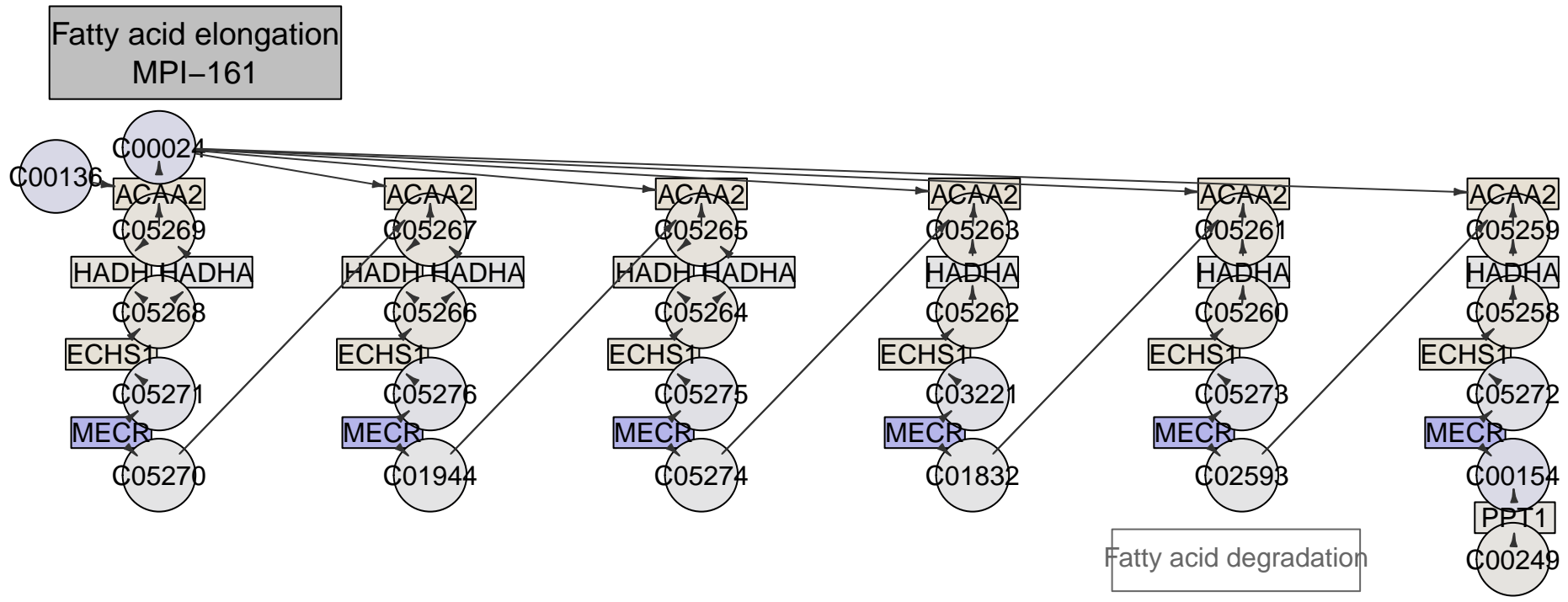


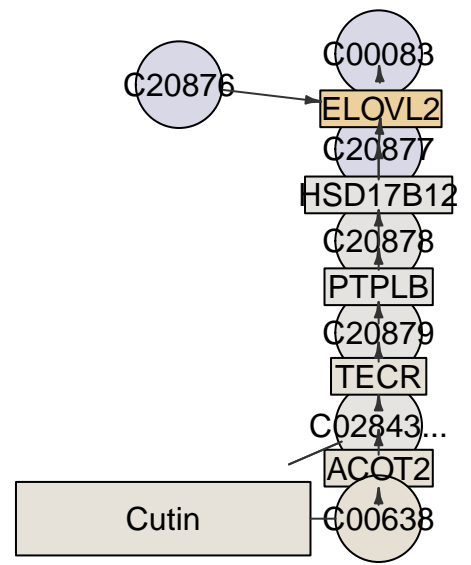
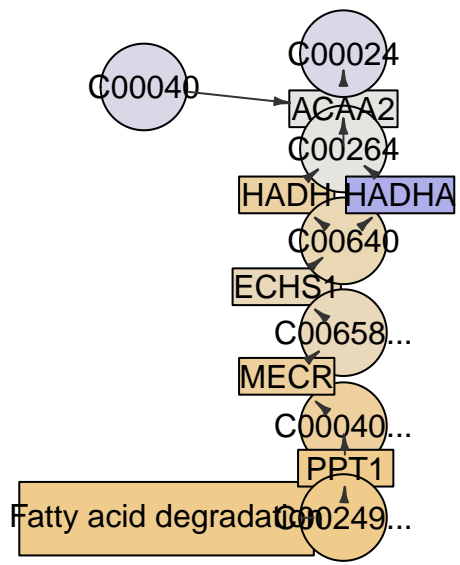
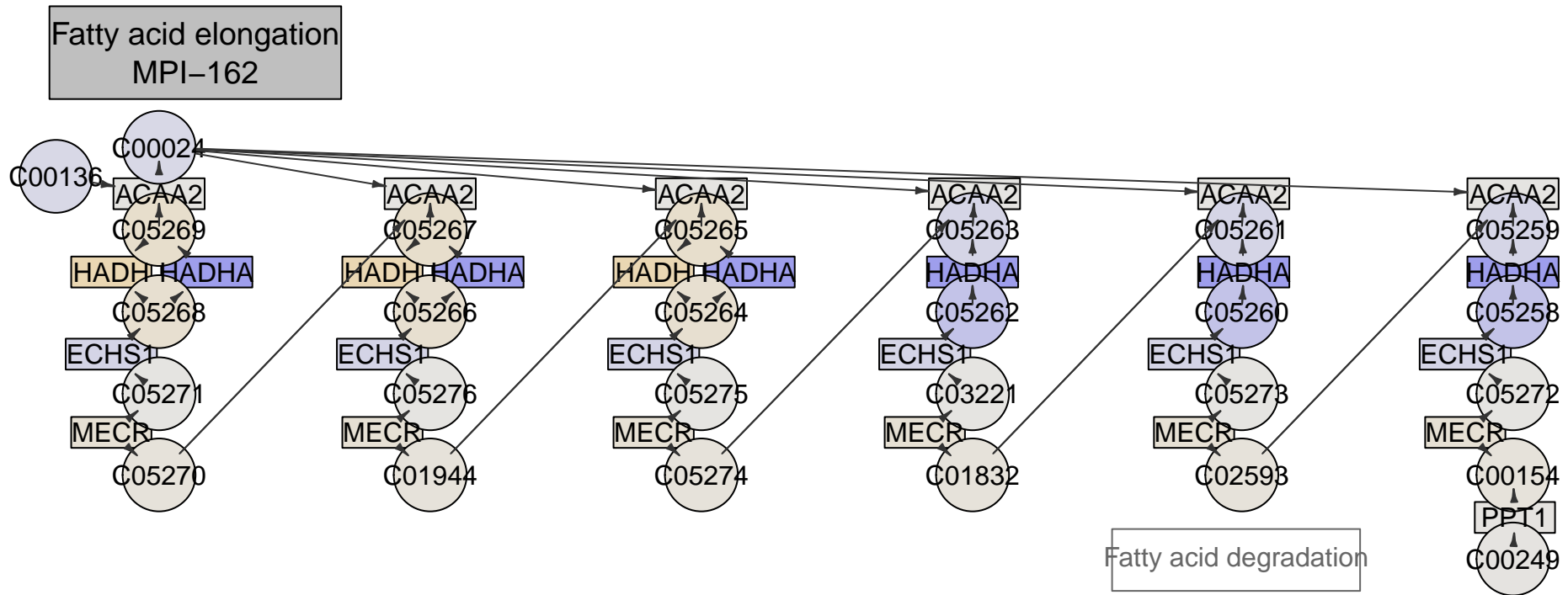


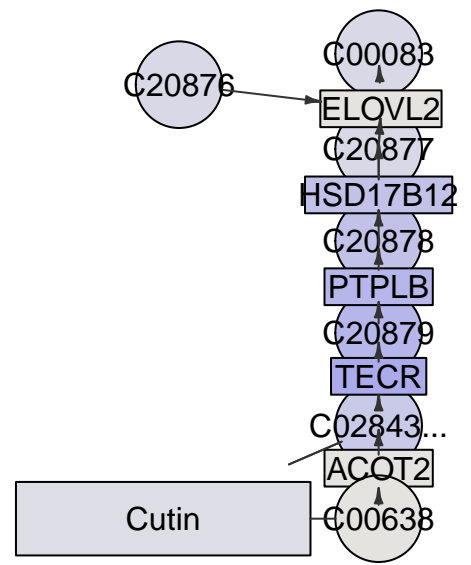
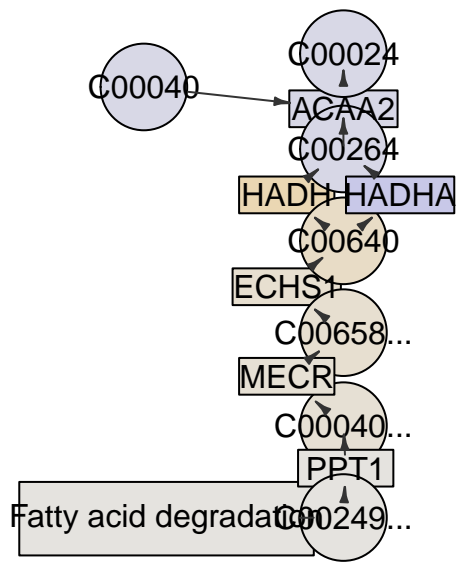
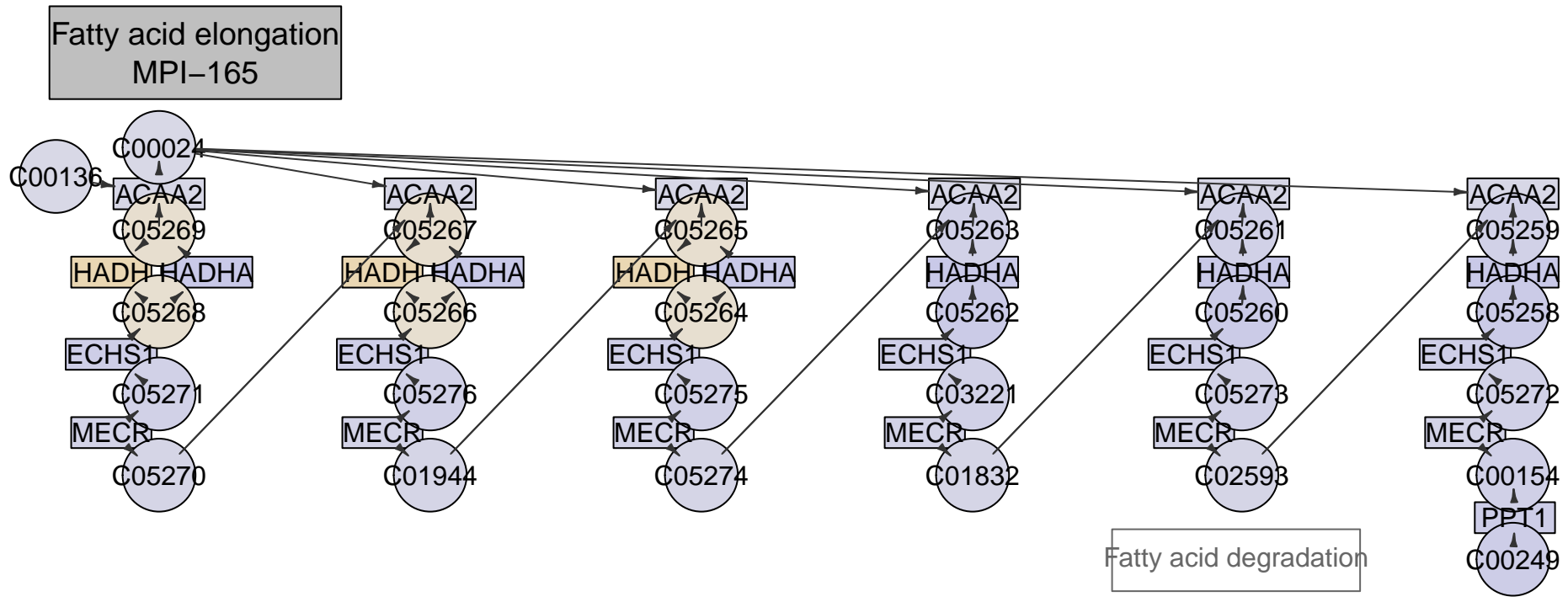


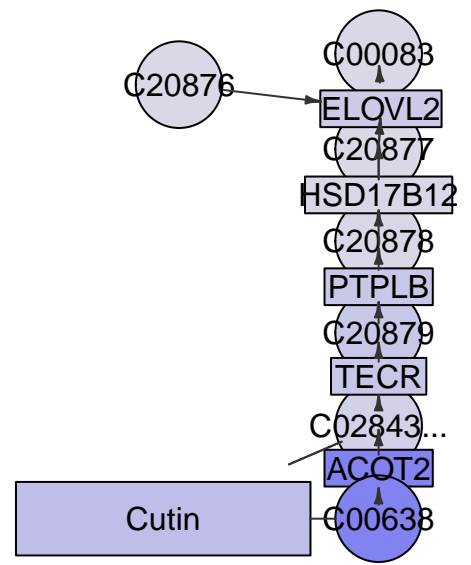
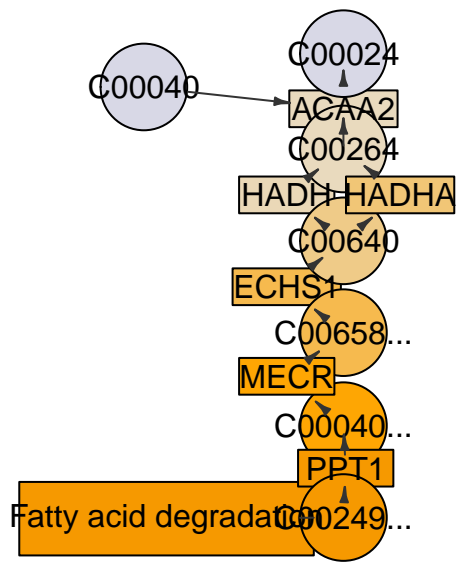
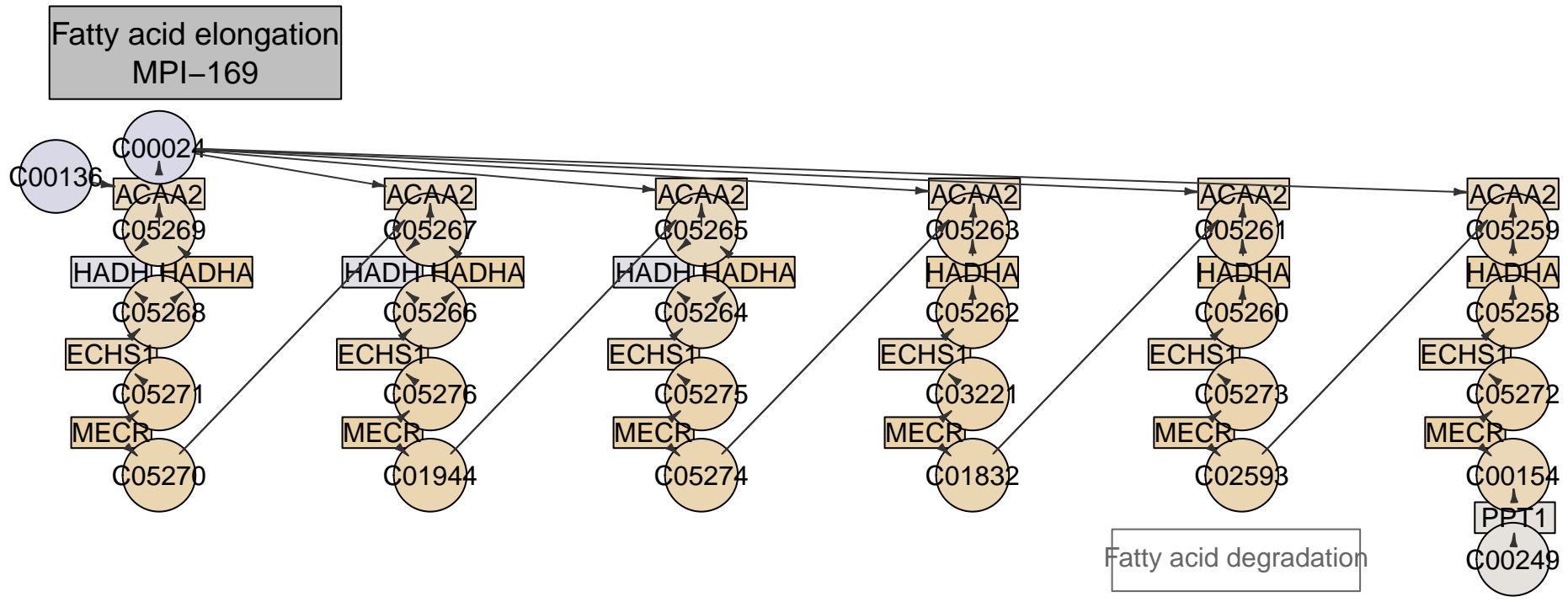
Fatty acid elongation
MPI-148



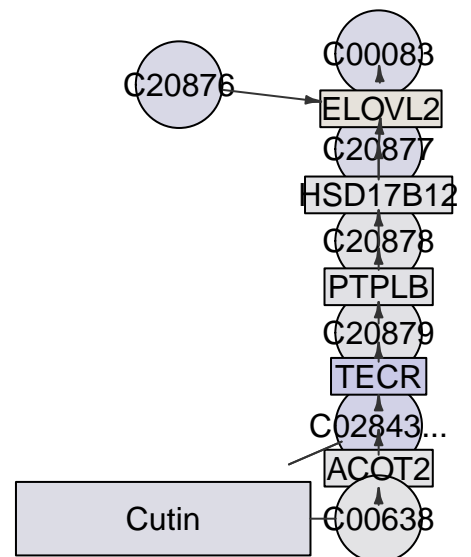
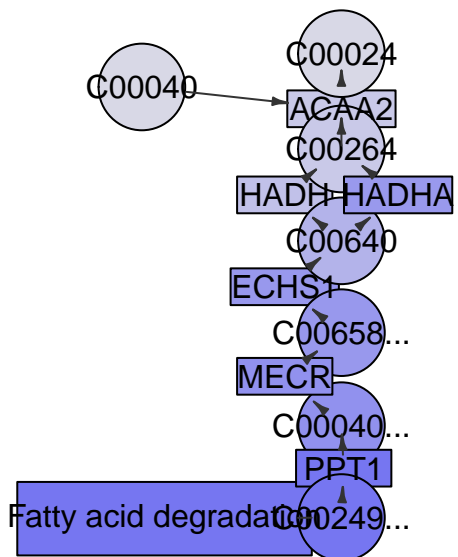
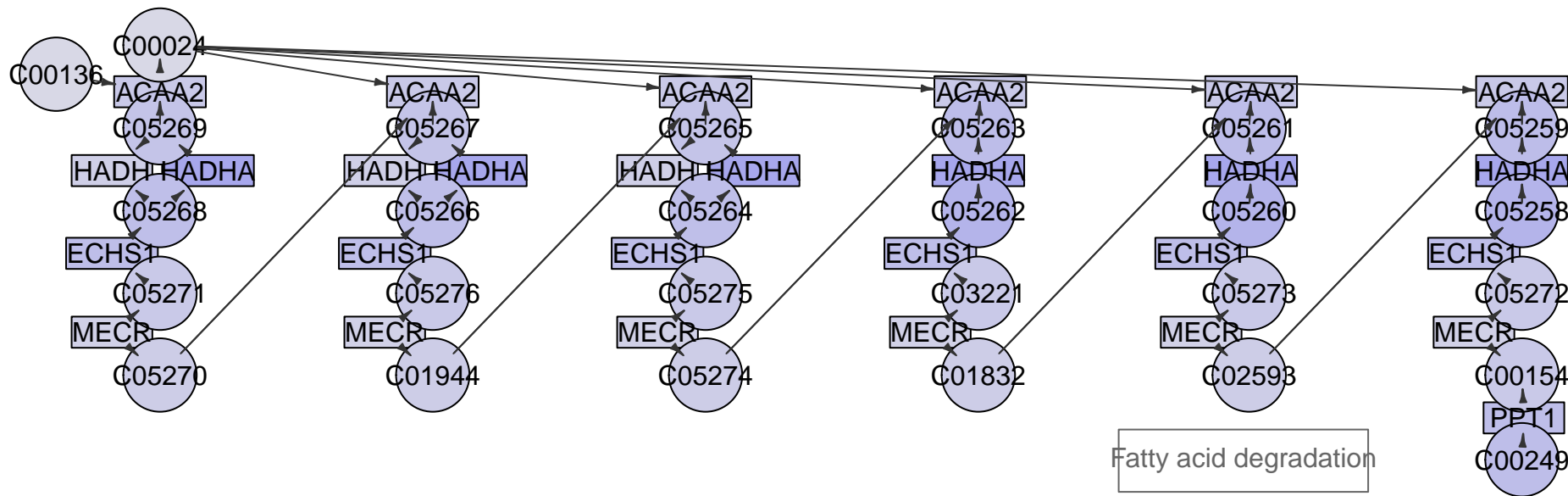


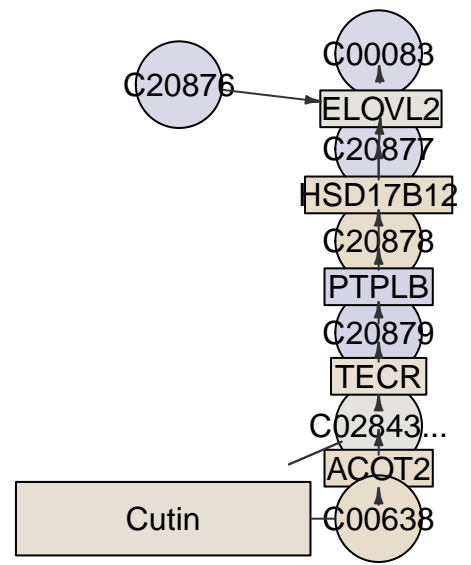
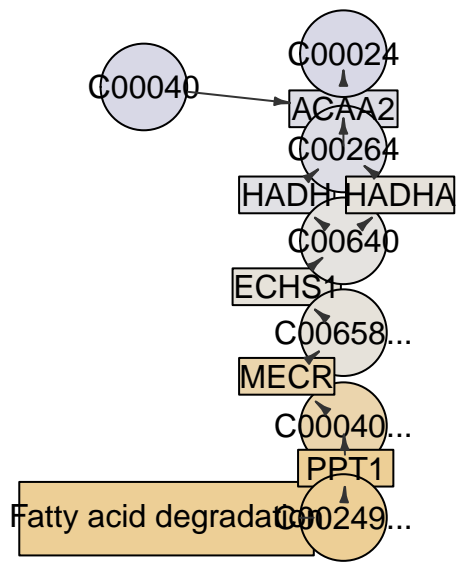
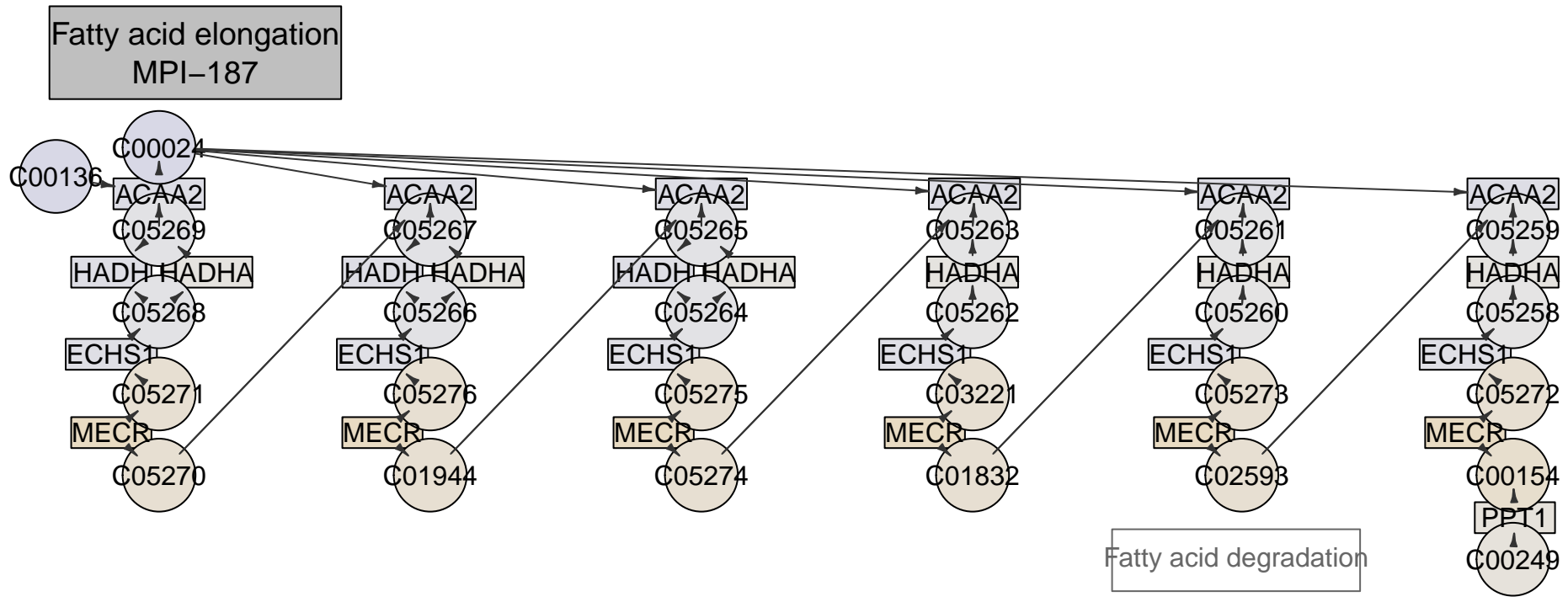


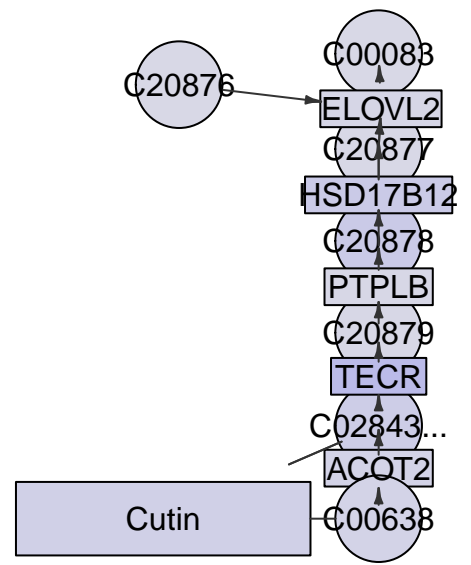
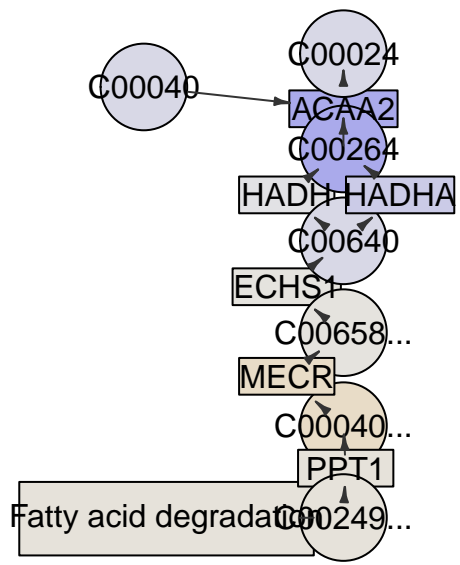
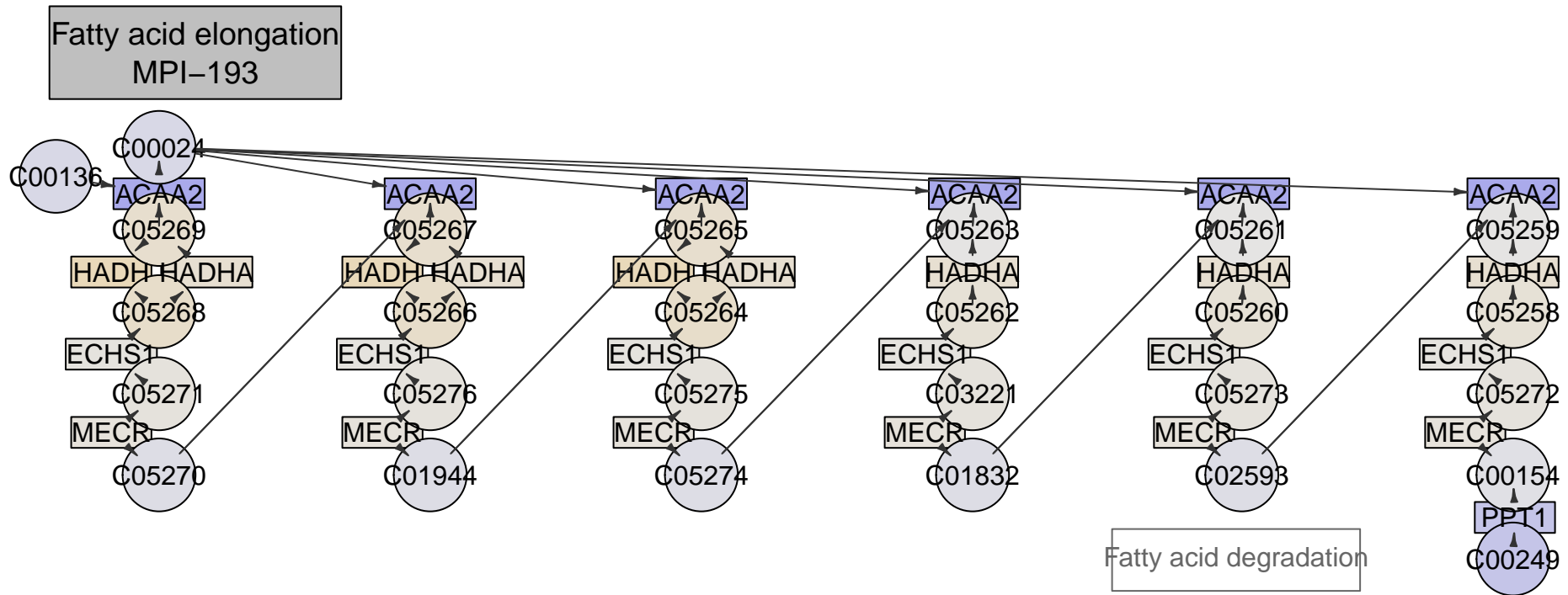


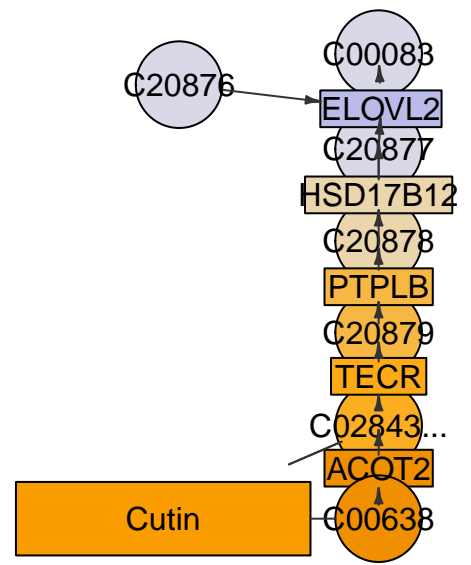
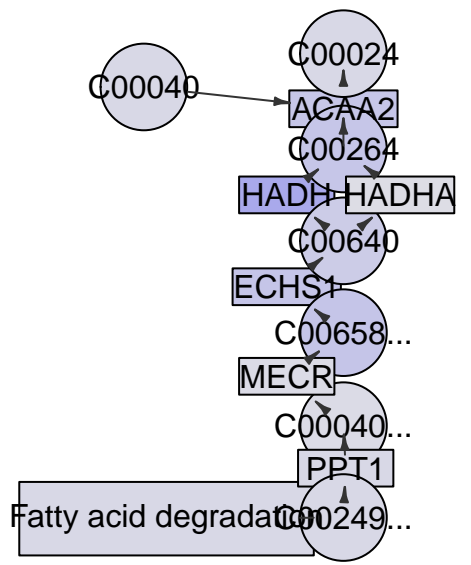
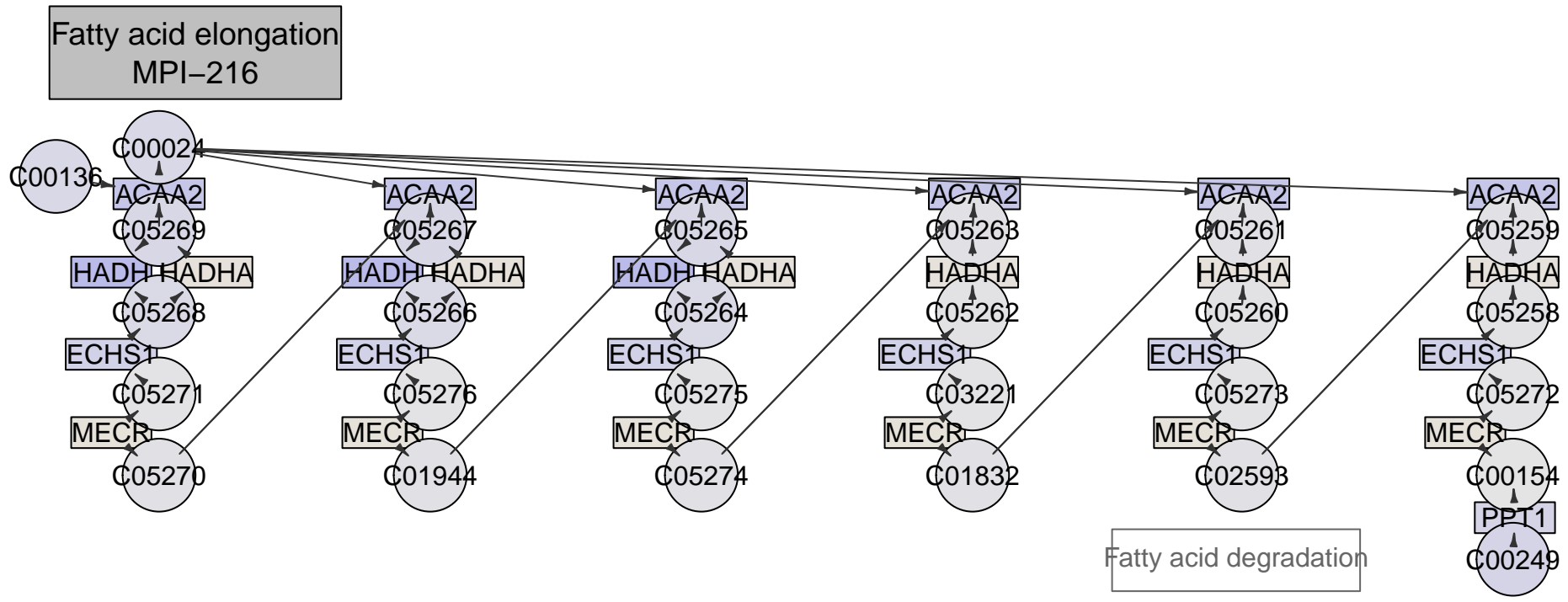


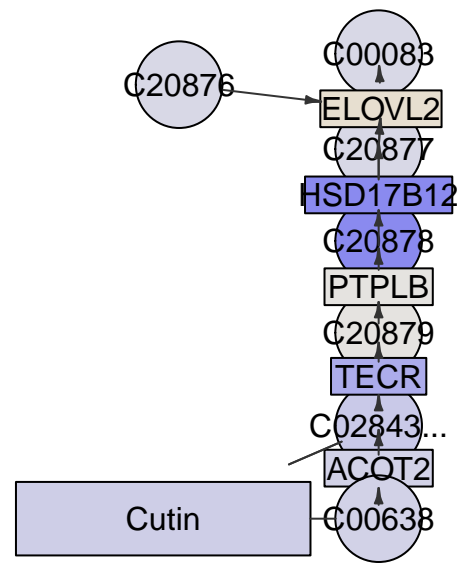
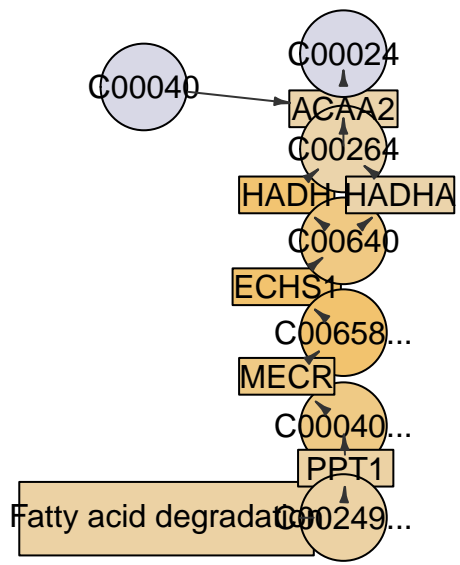
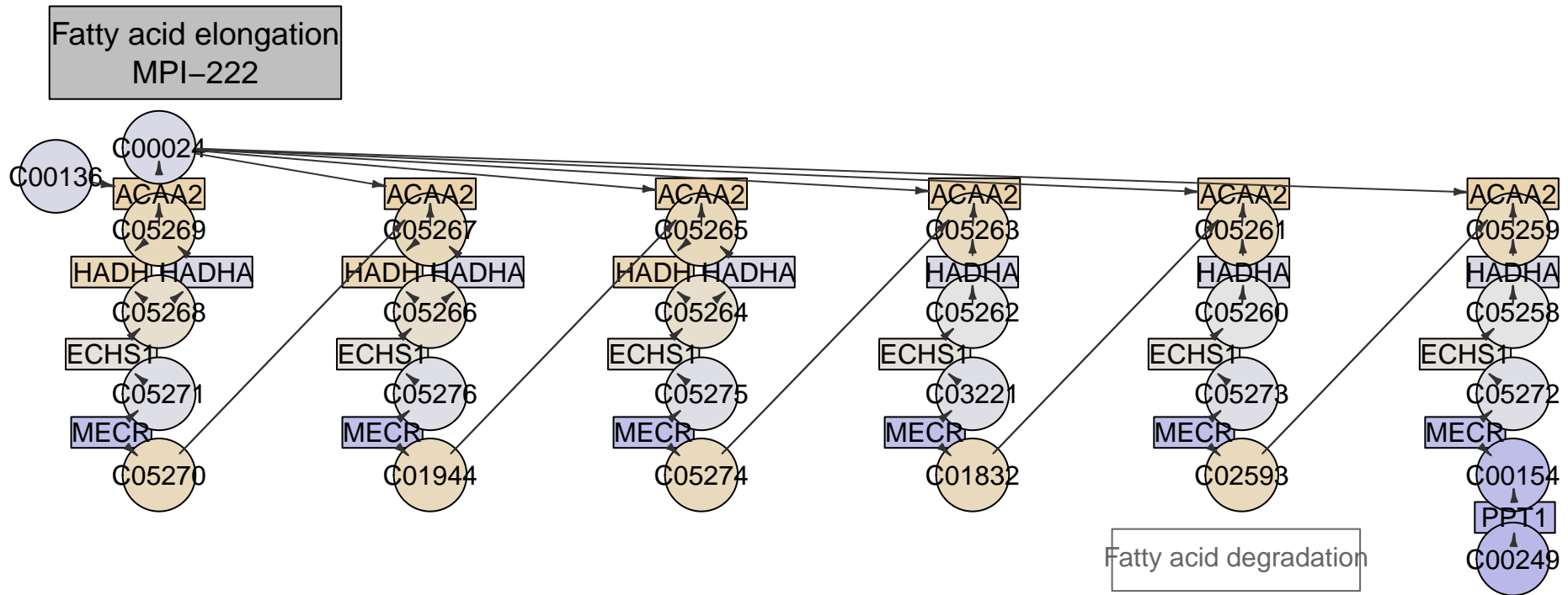
Fatty acid elongation
MPI-175

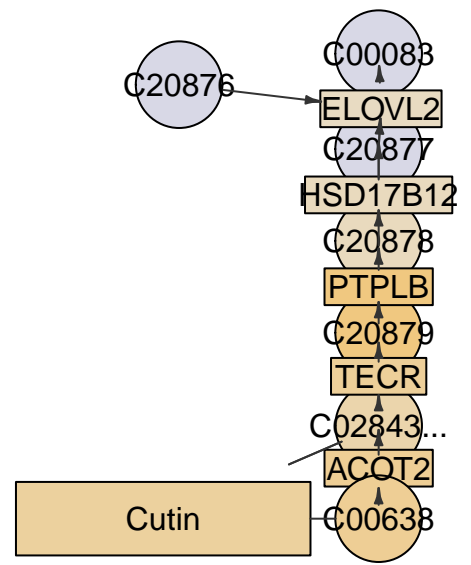
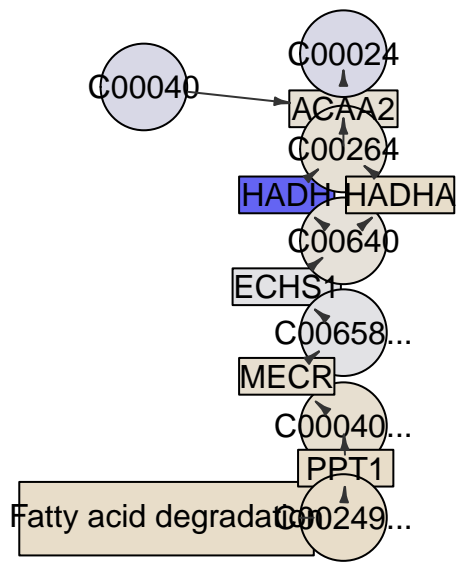
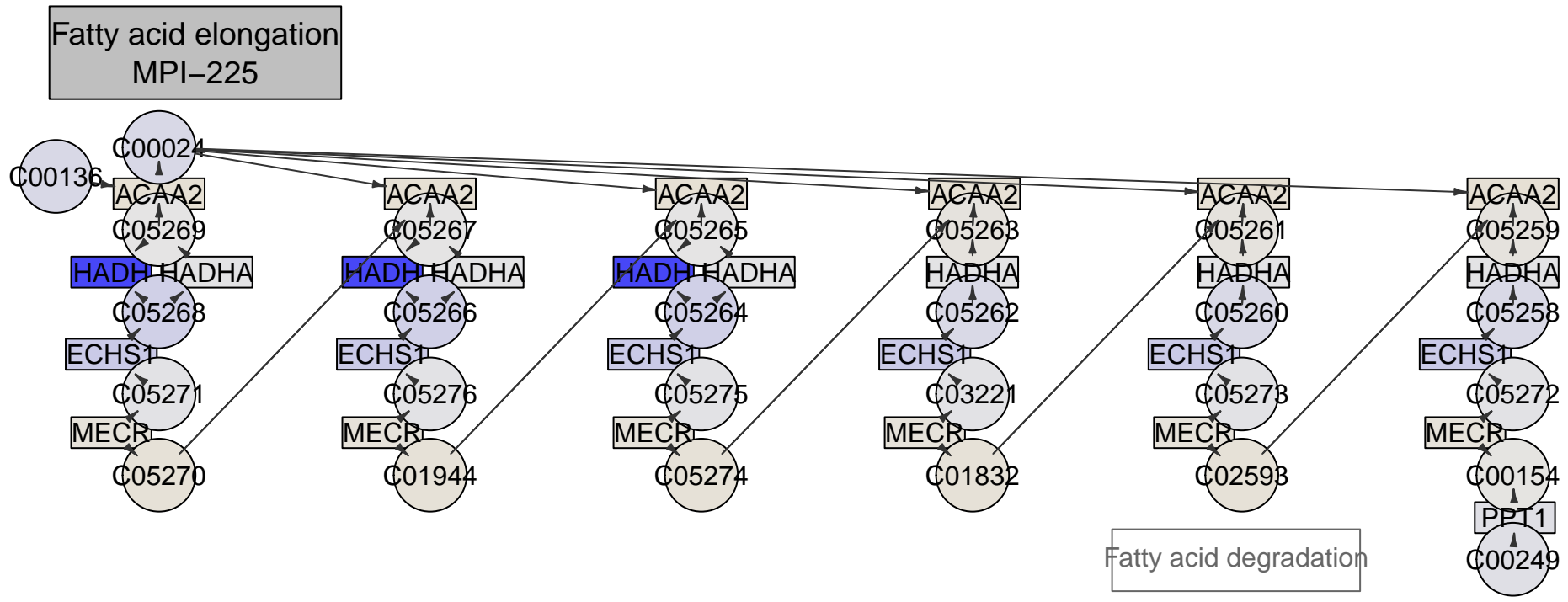


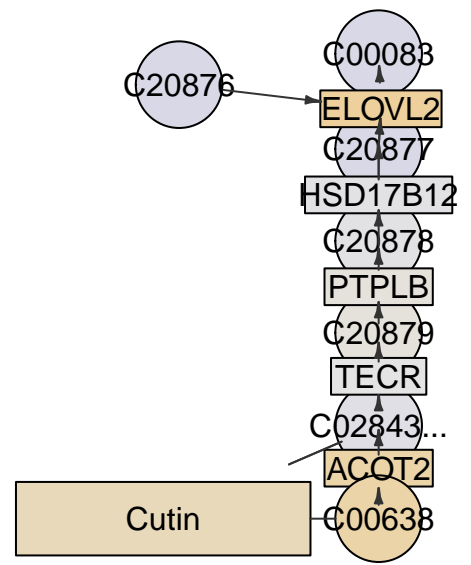
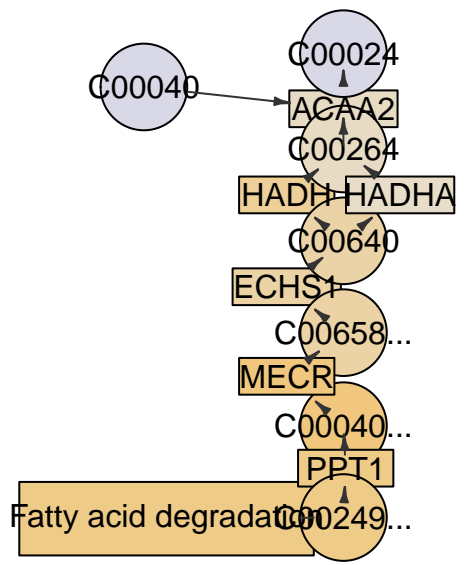
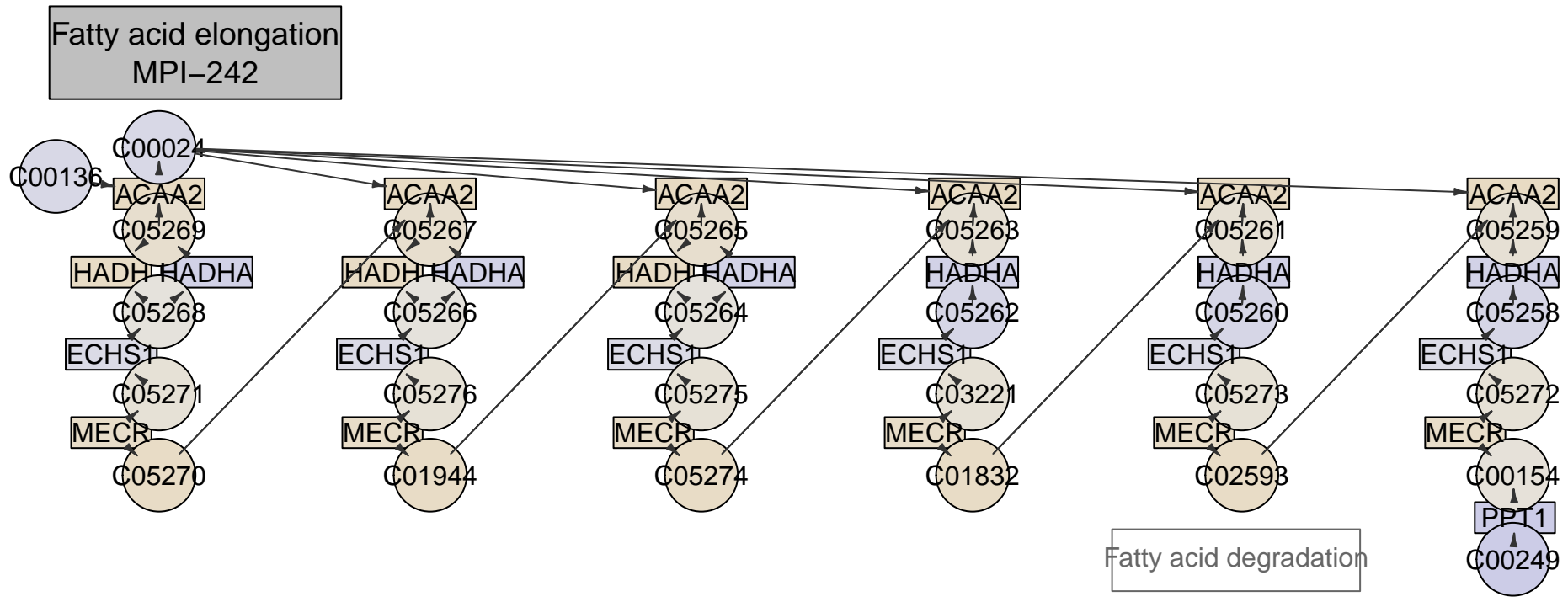


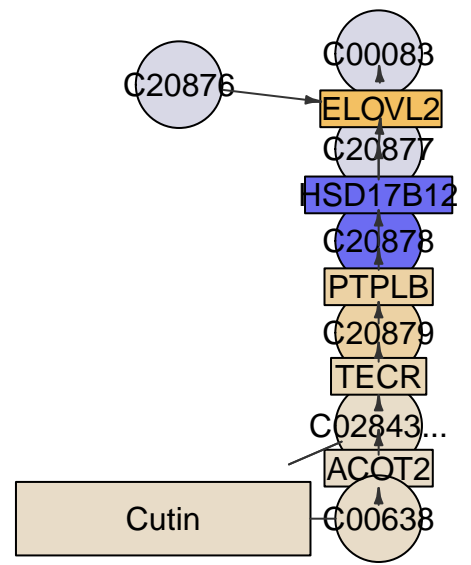
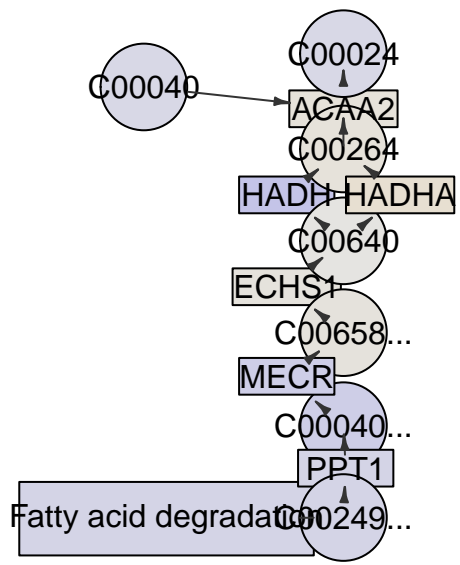
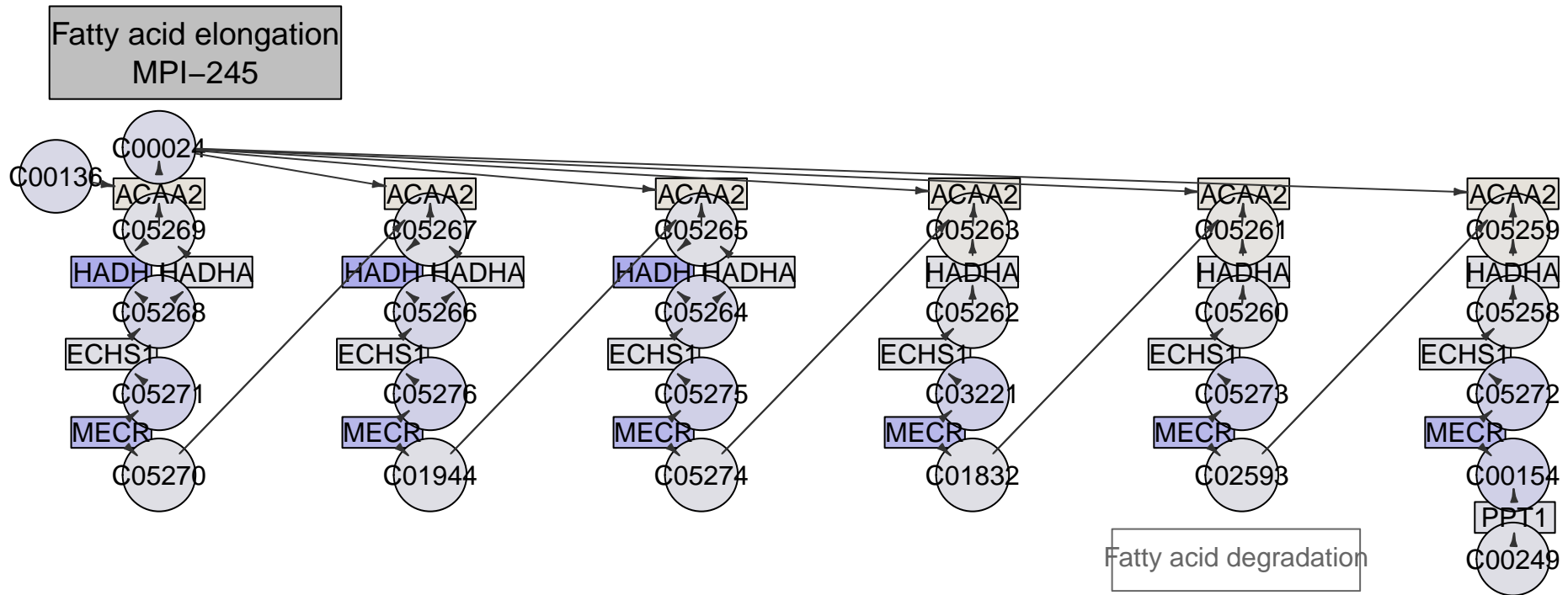


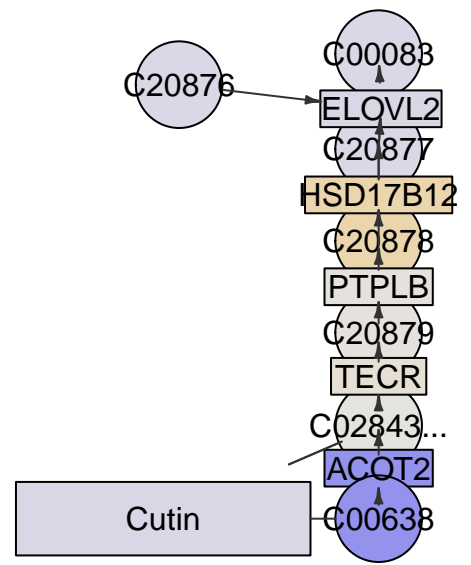
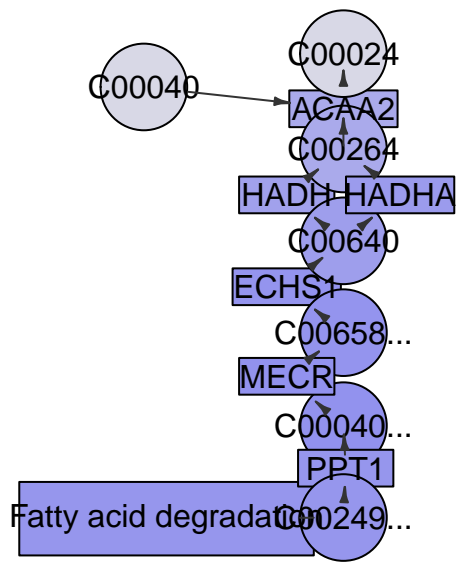
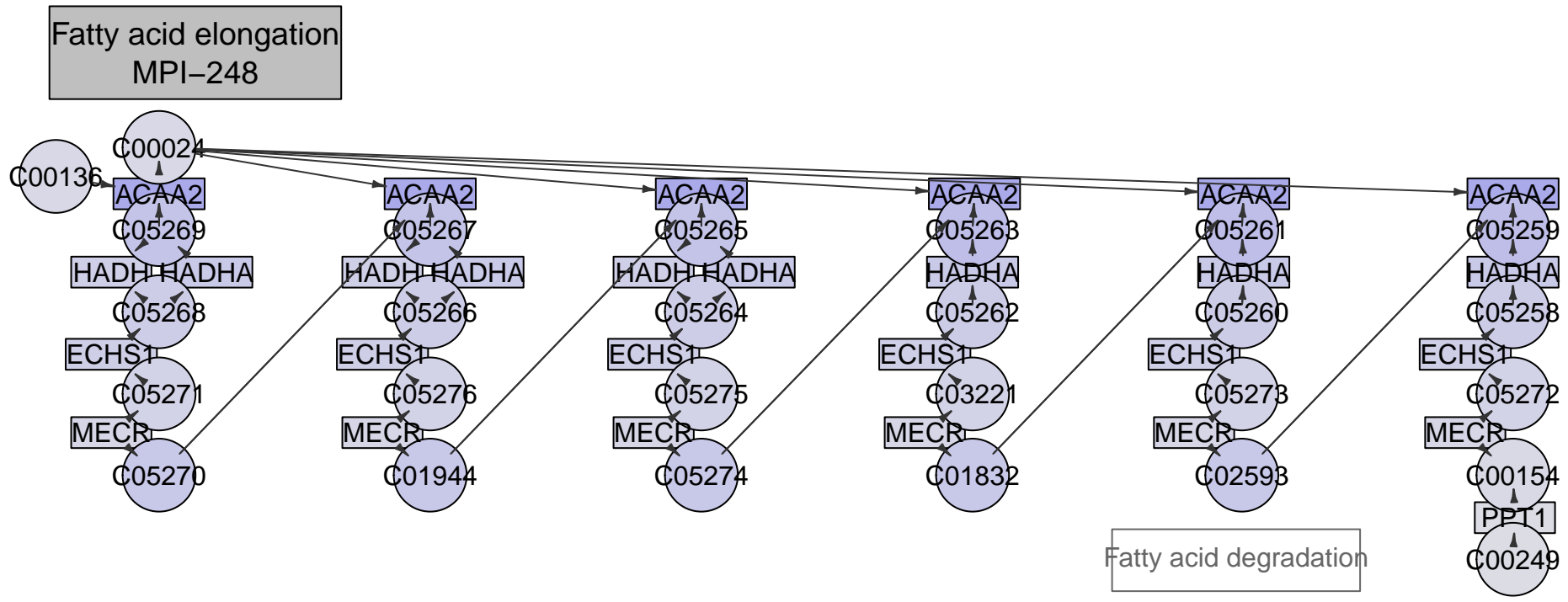


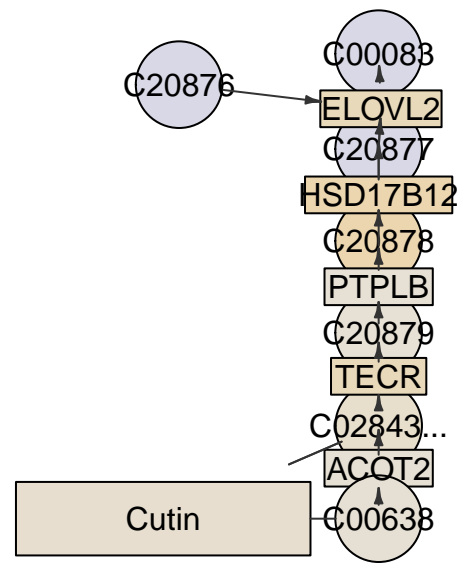
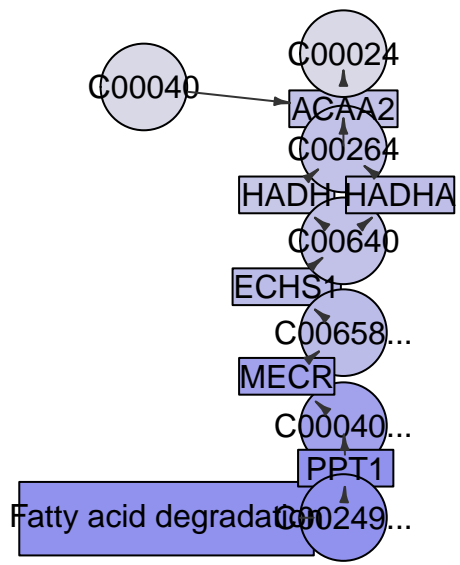
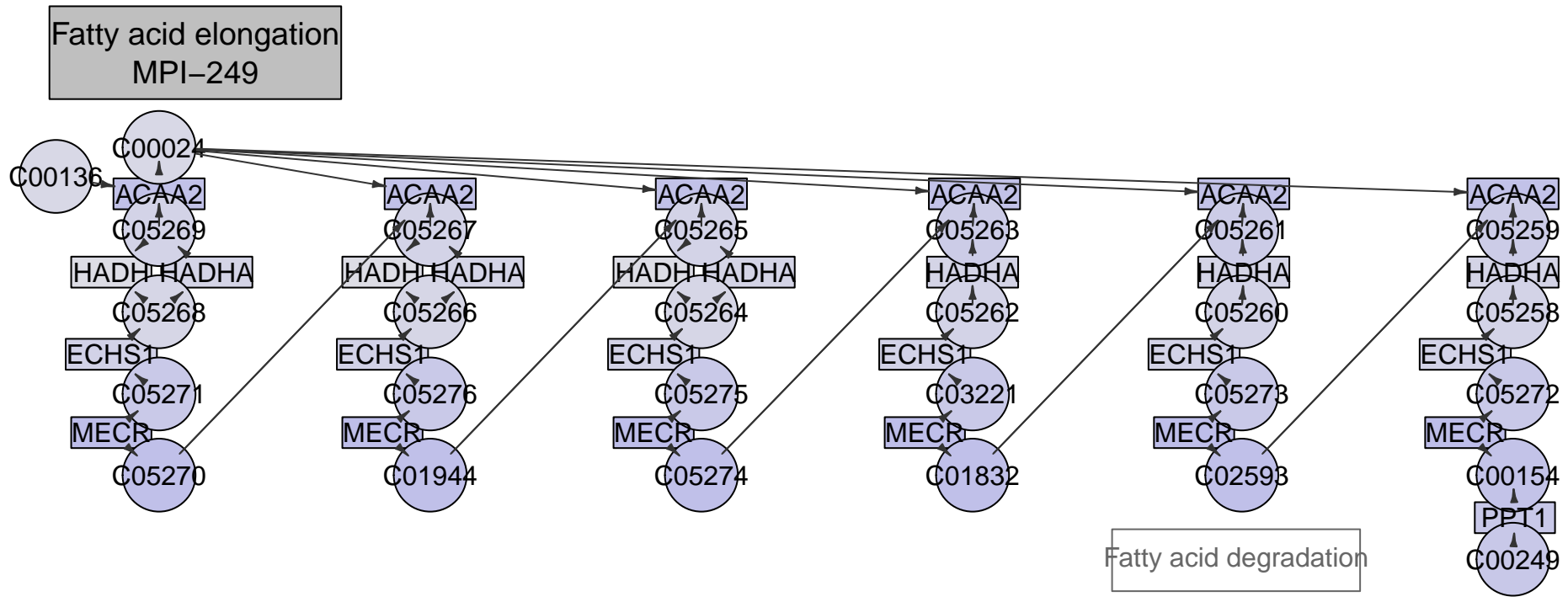


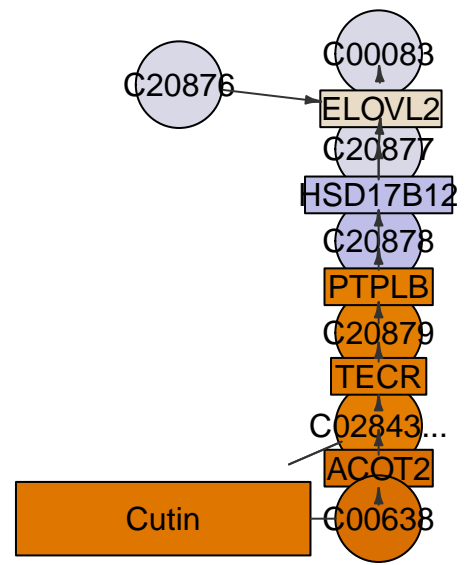
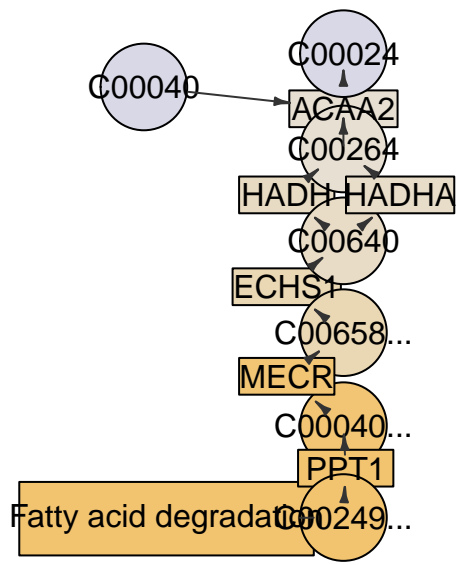
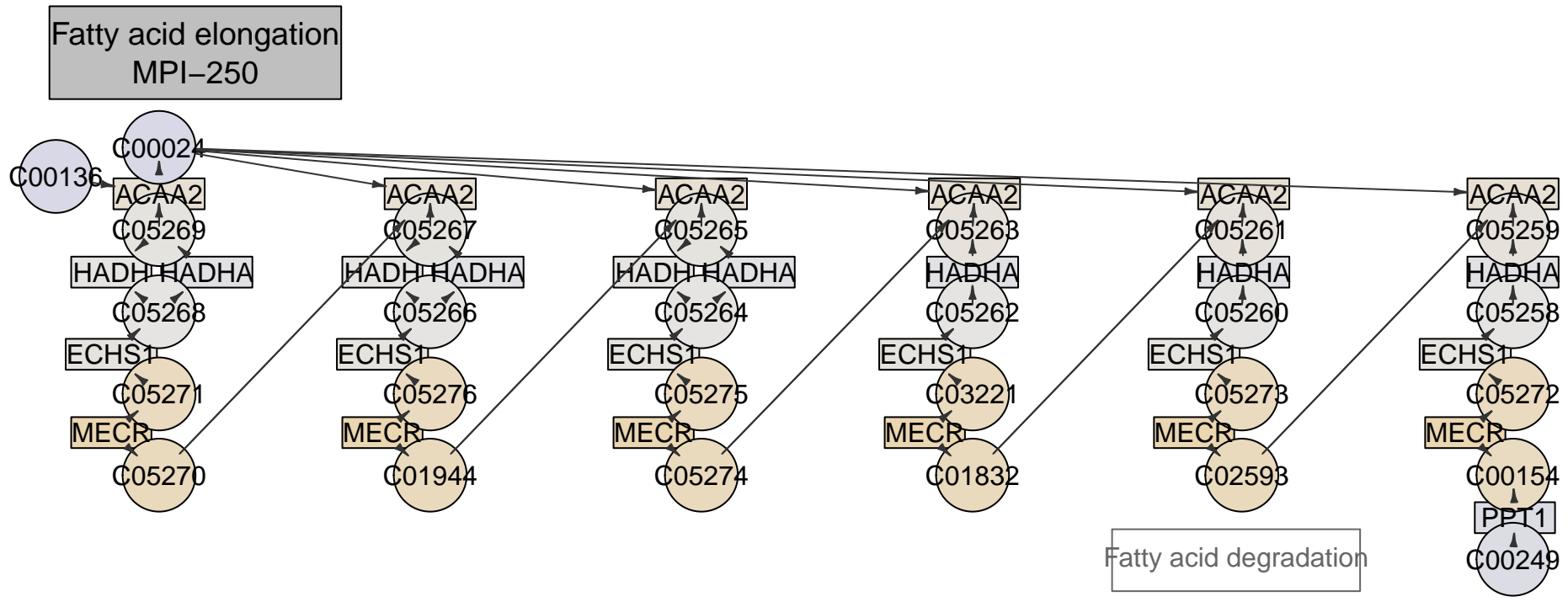


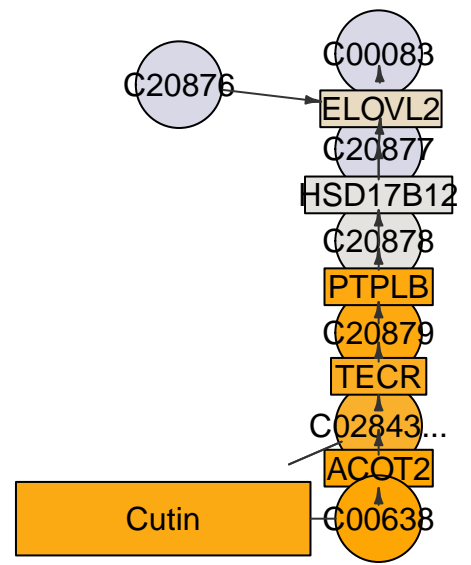
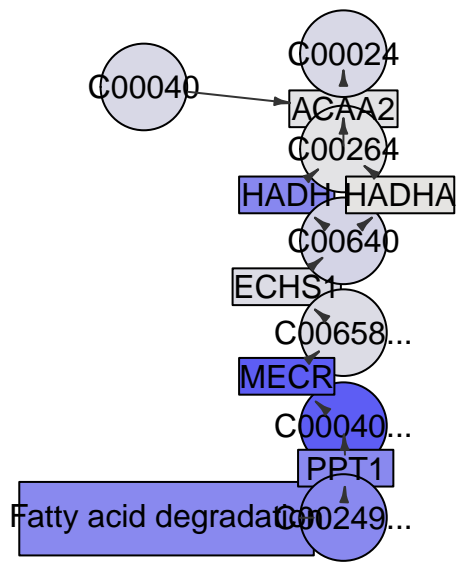
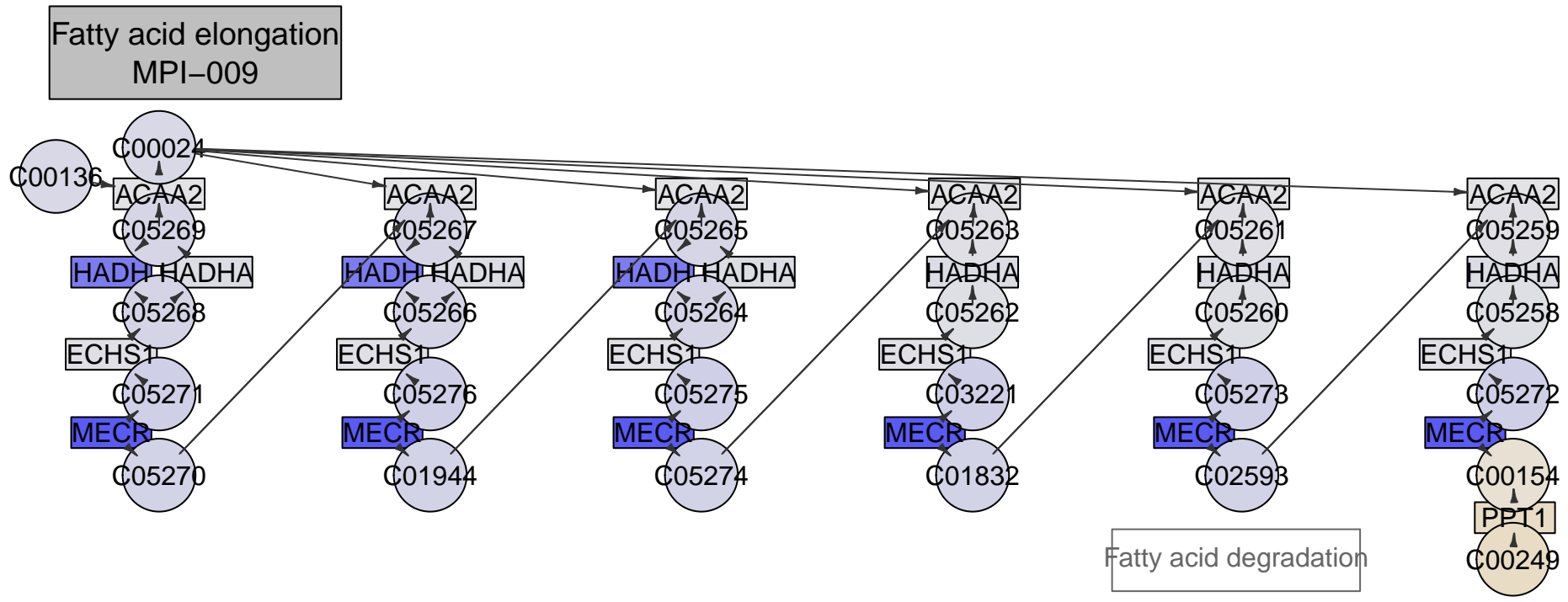


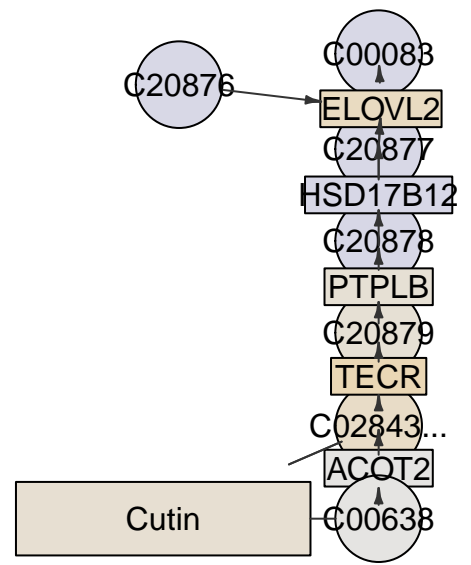
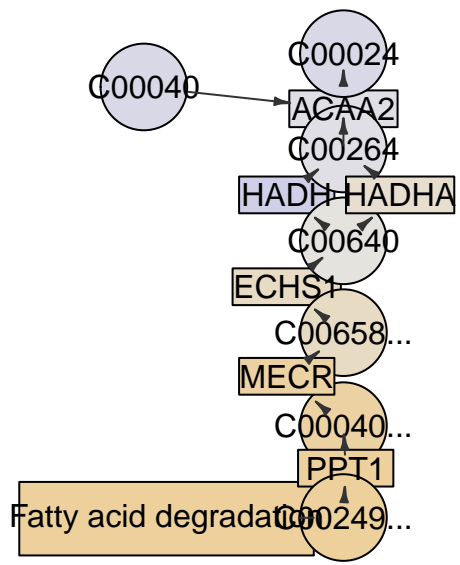
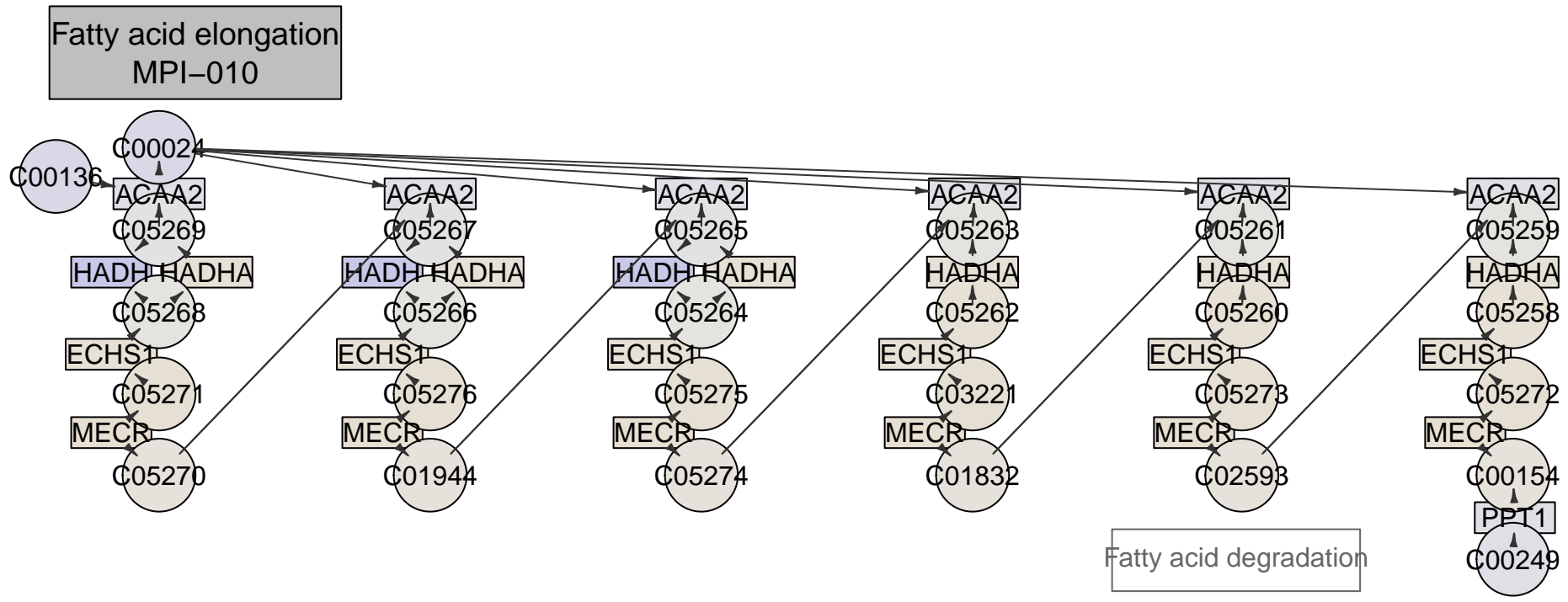




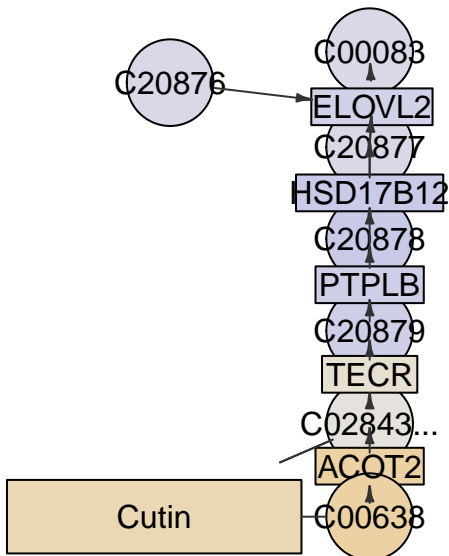
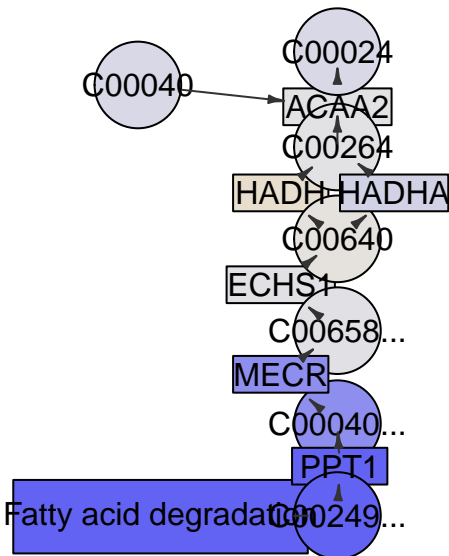
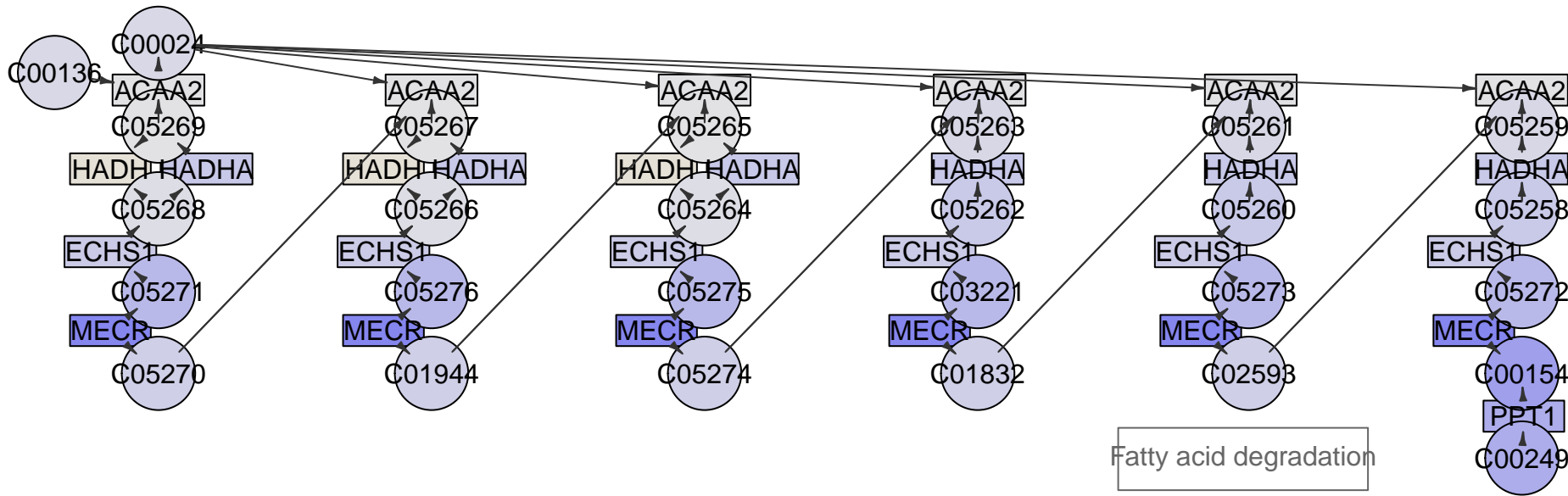




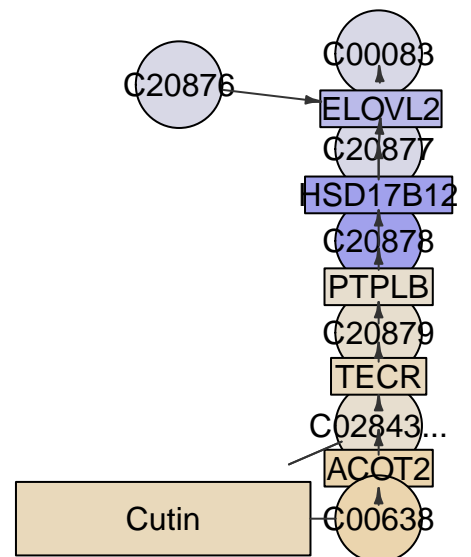
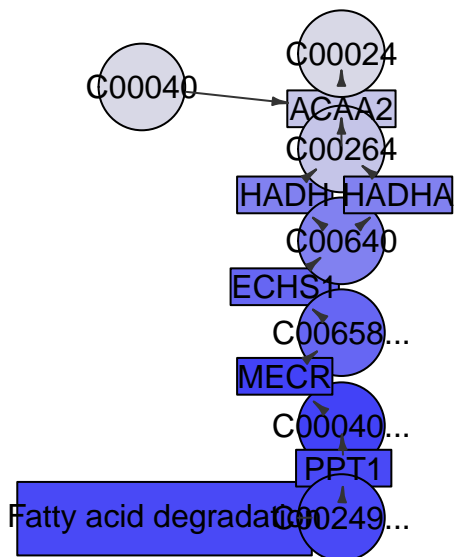
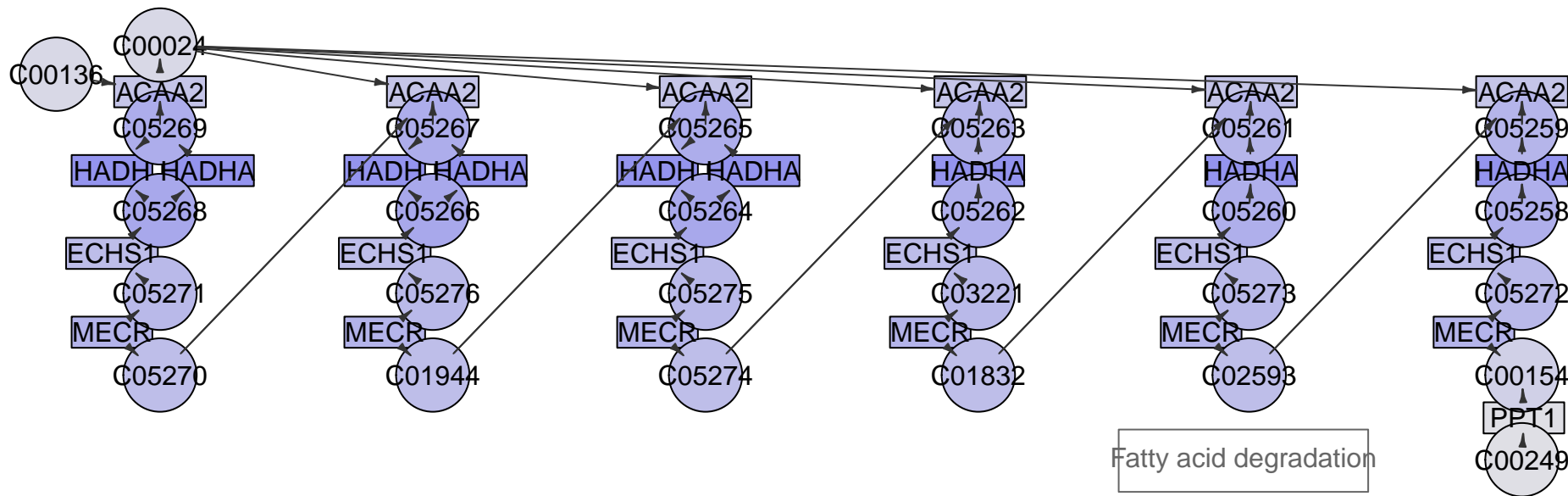


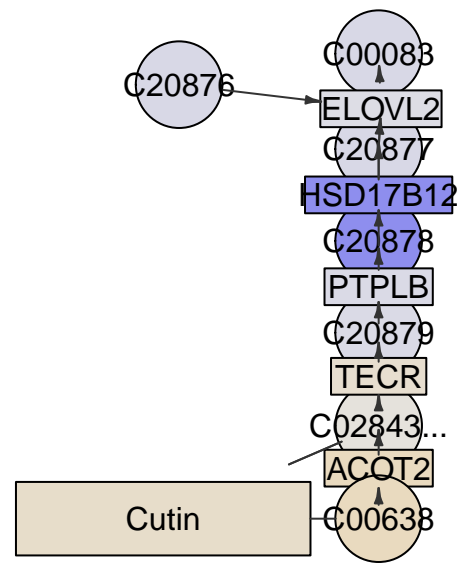
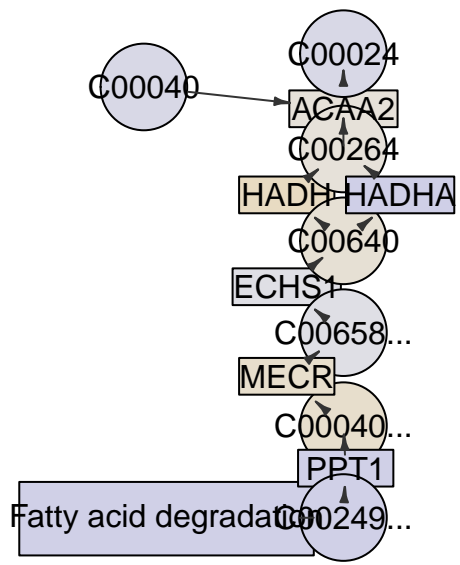
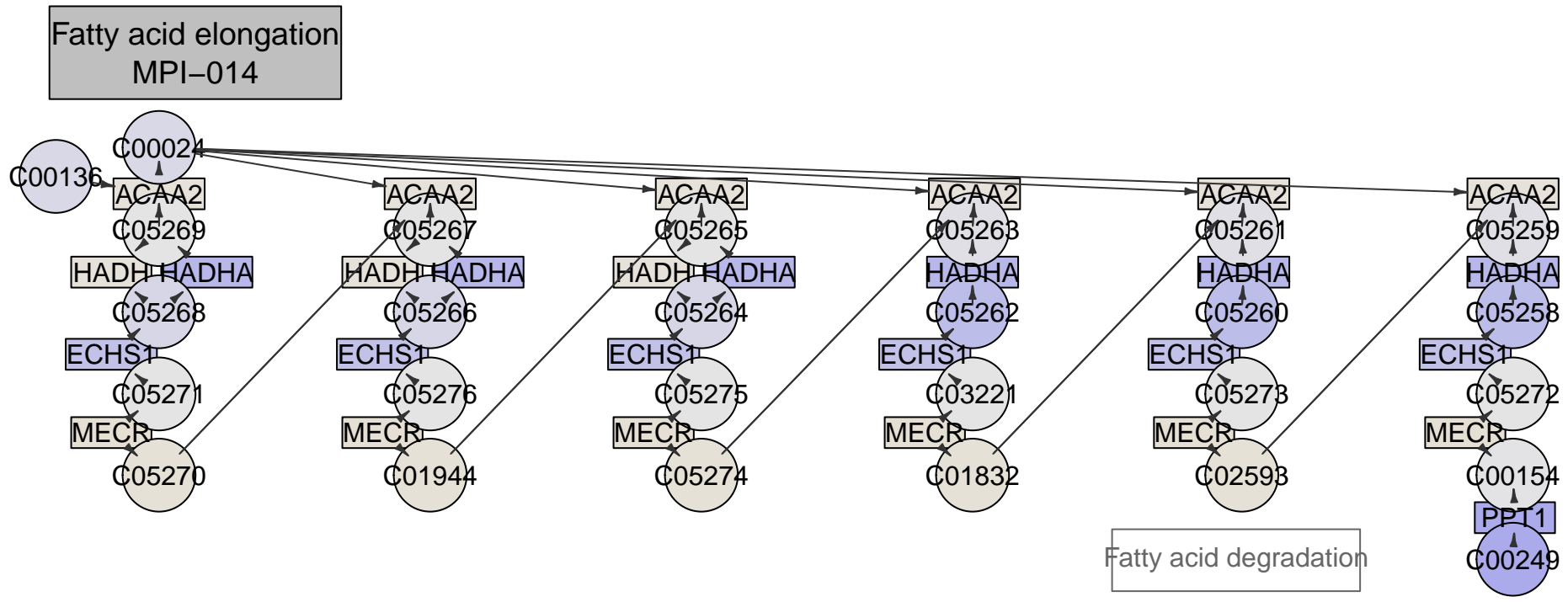


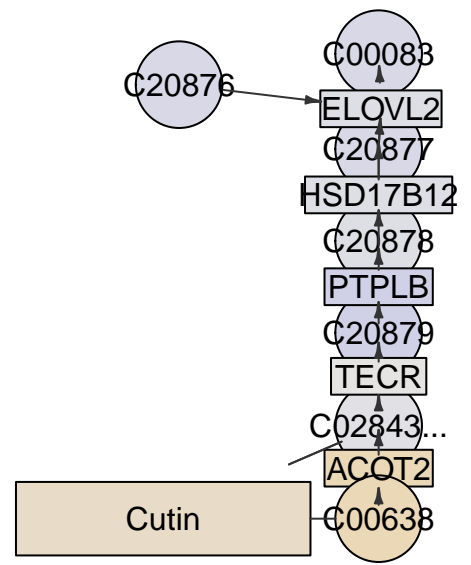
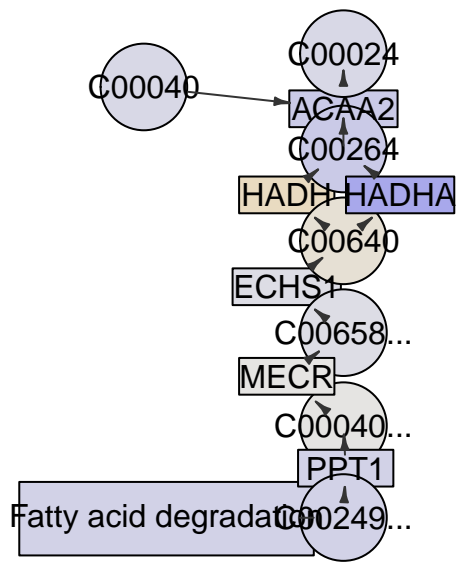
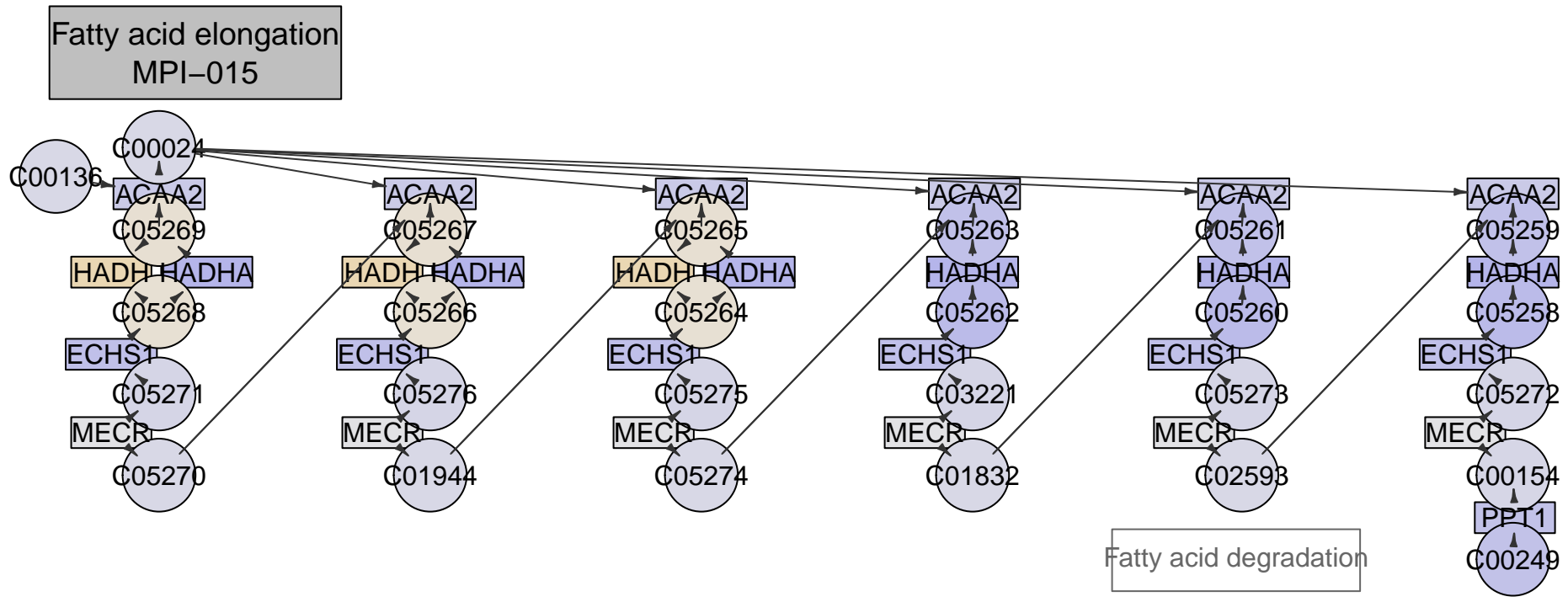
Fatty acid elongation
MPI-012



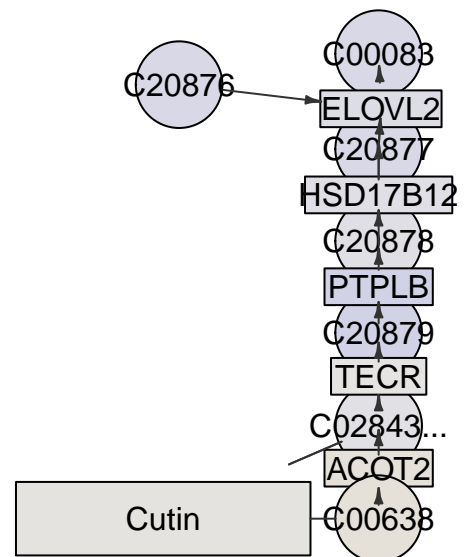
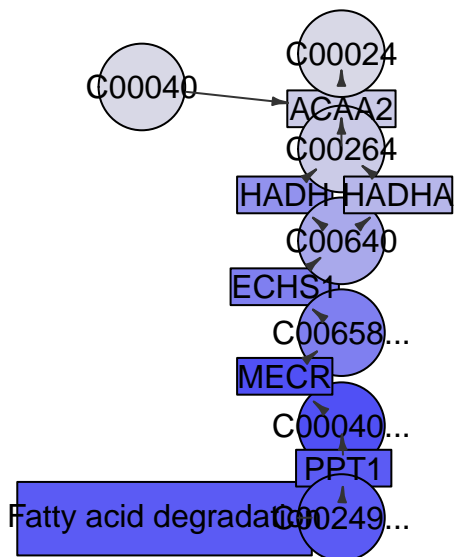
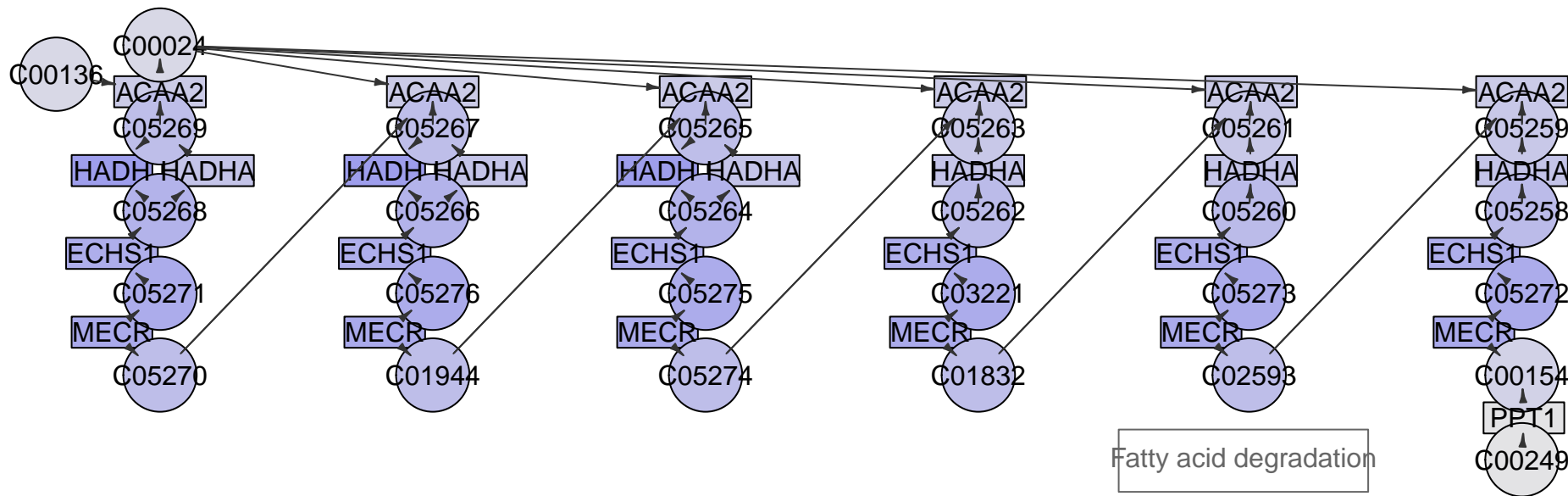
Fatty acid elongation
MPI-013

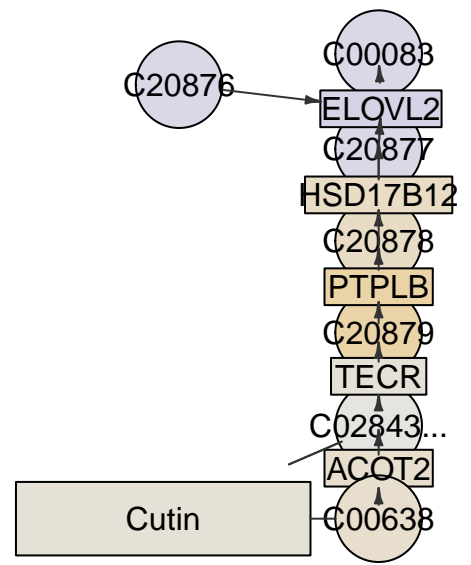
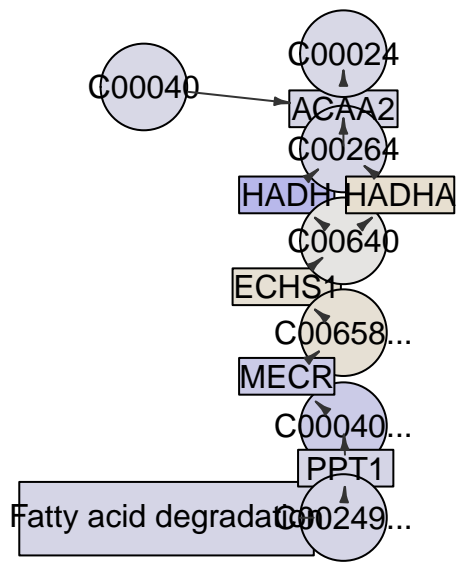
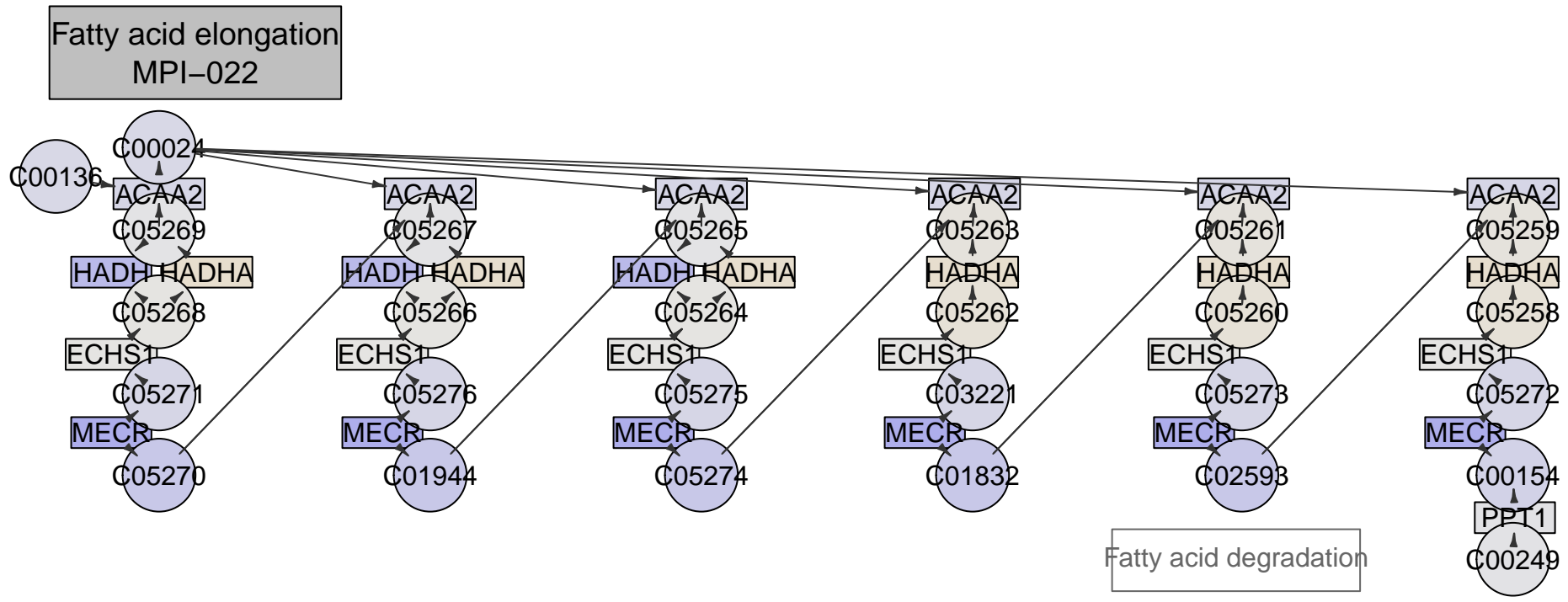


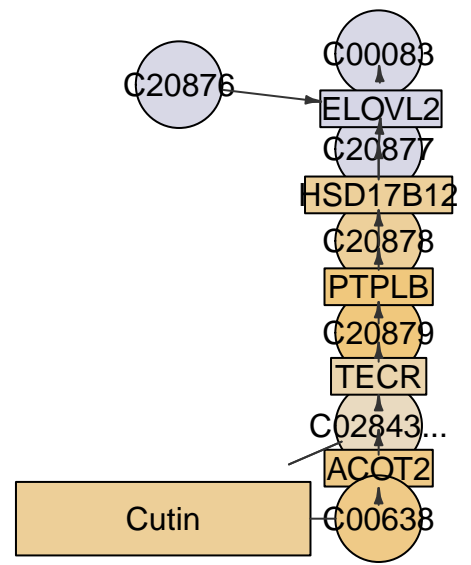
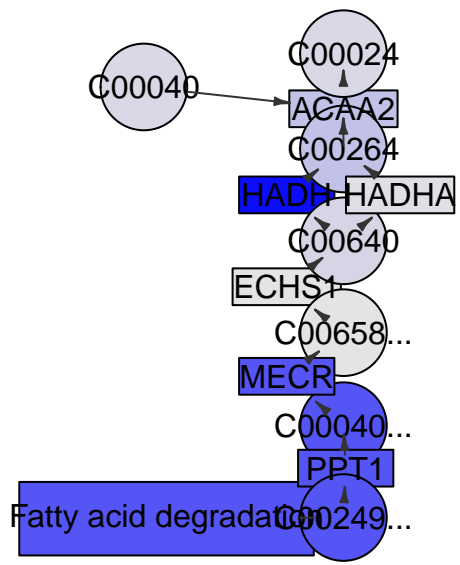
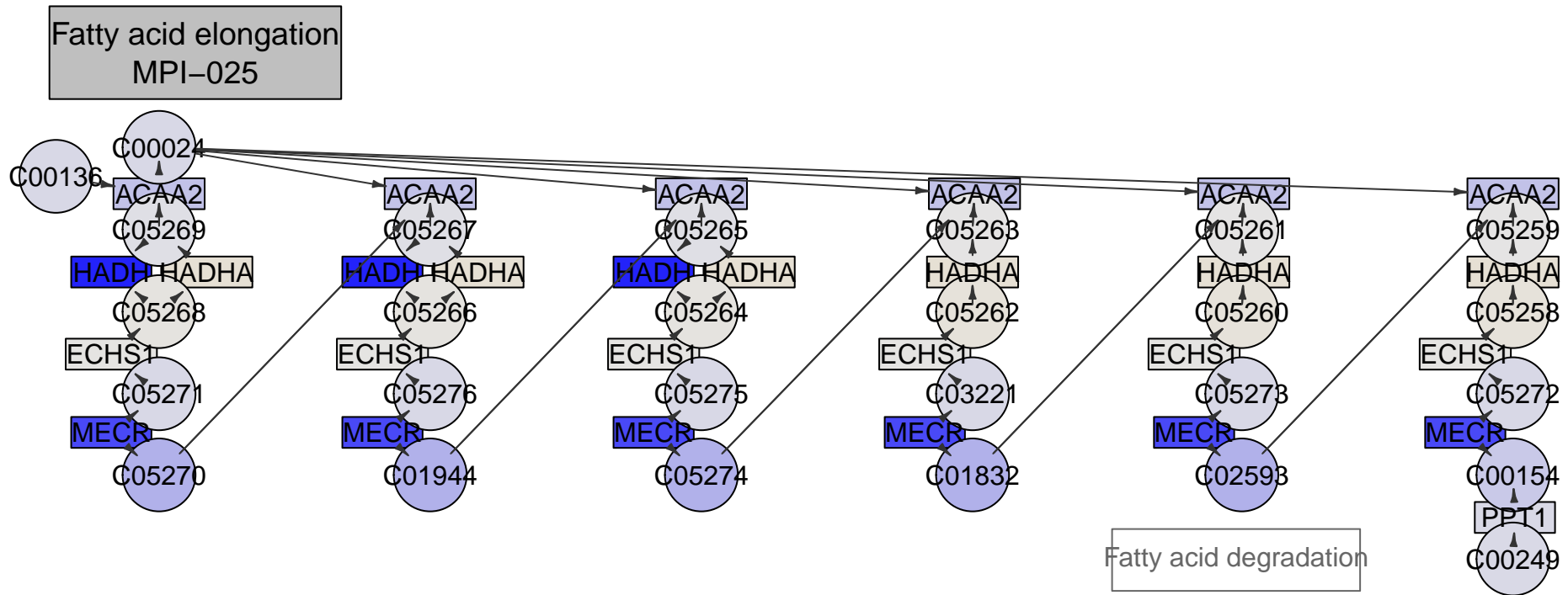


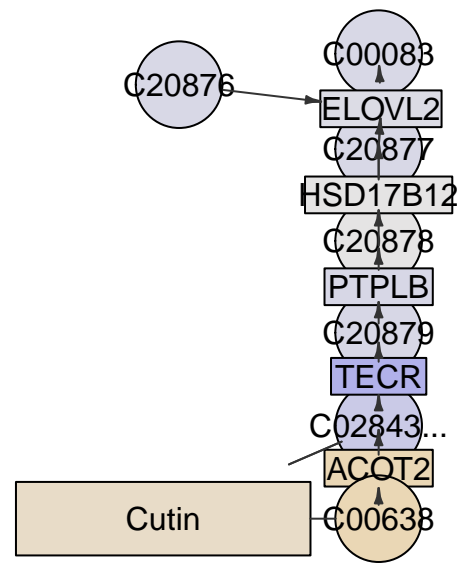
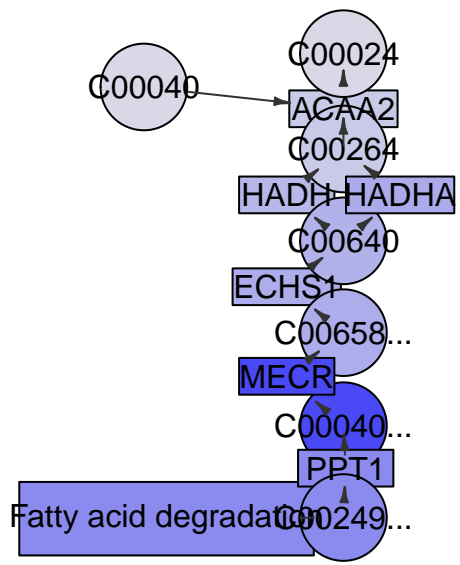
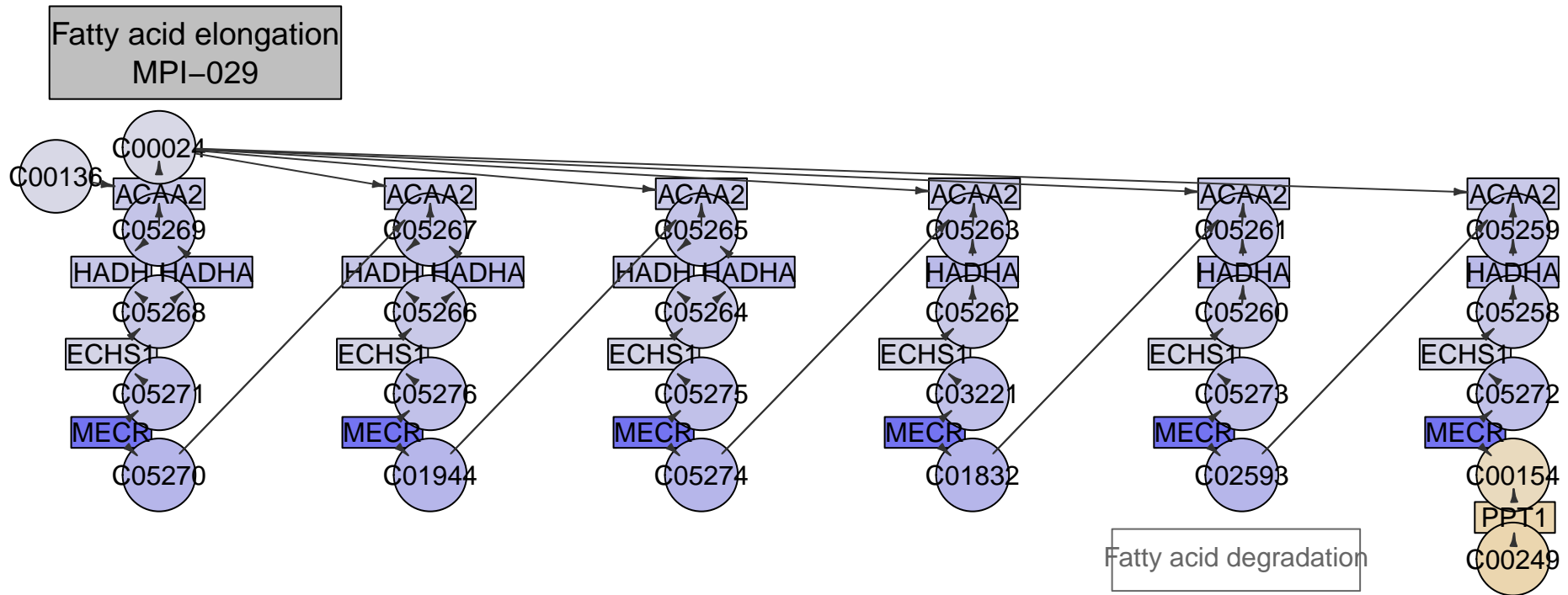


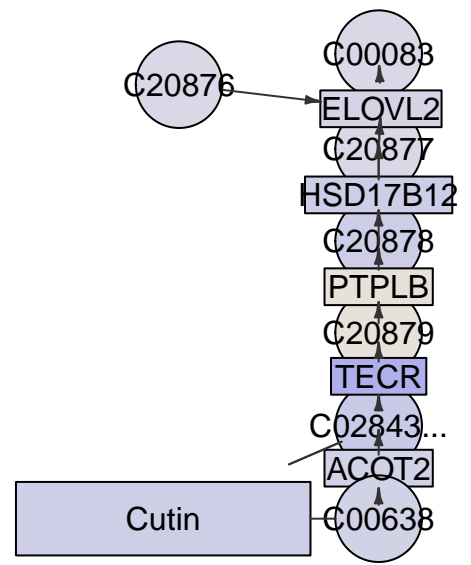
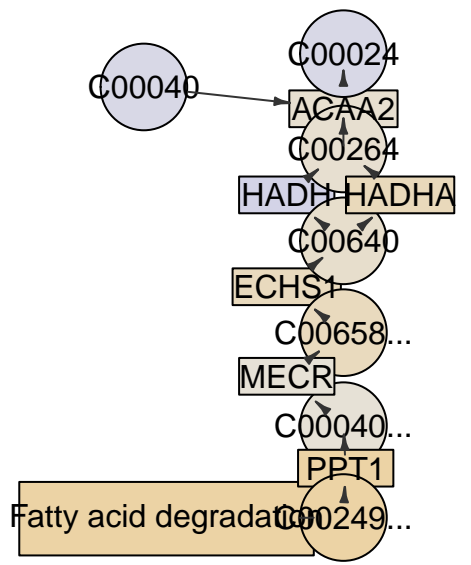
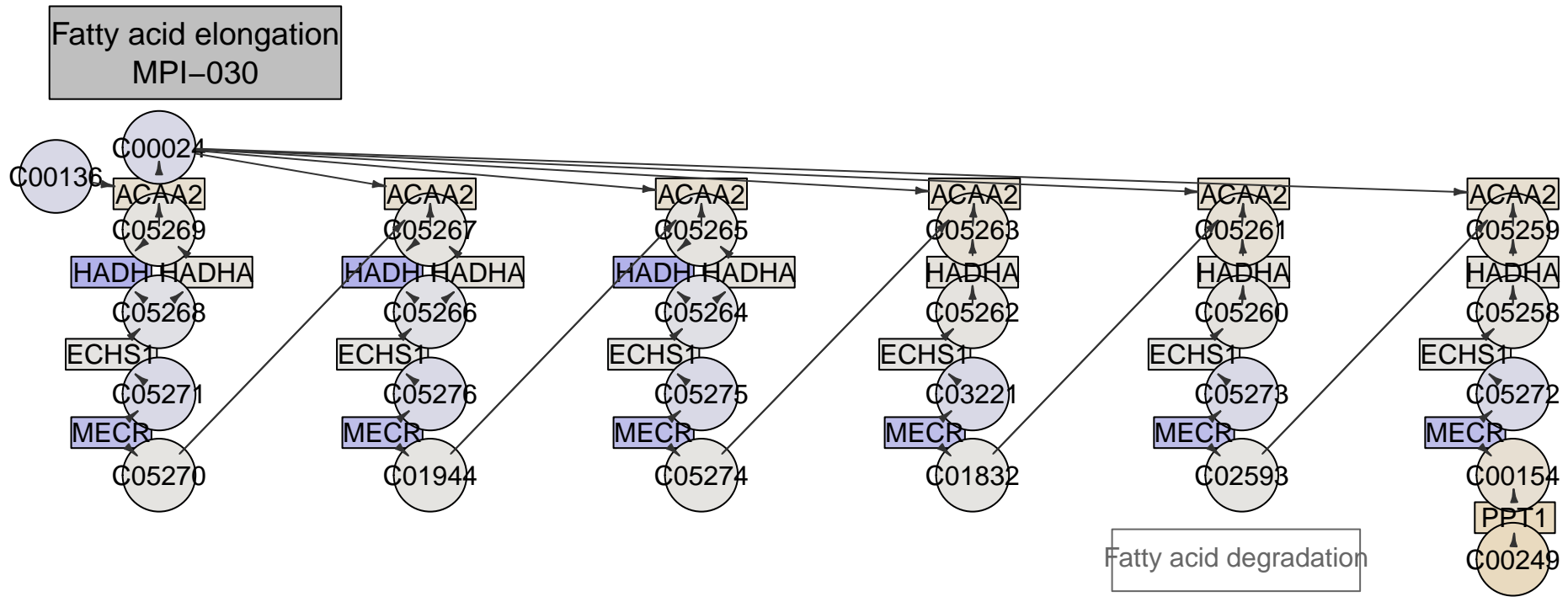
Fatty acid elongation
MPI-021

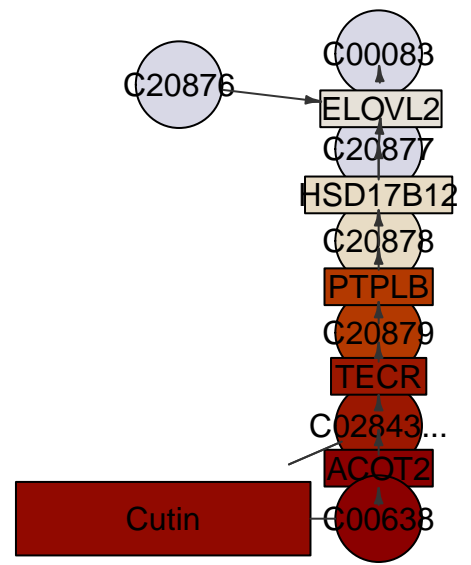
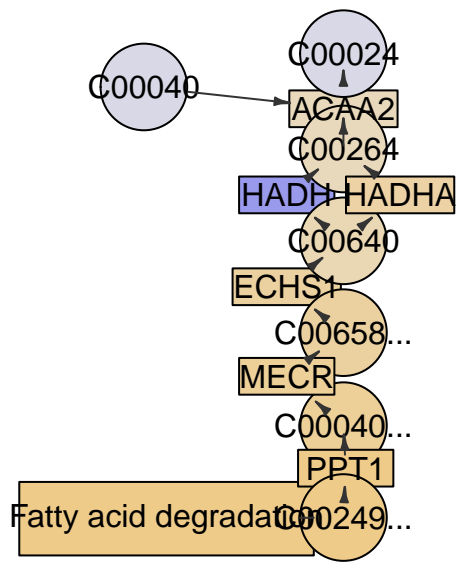
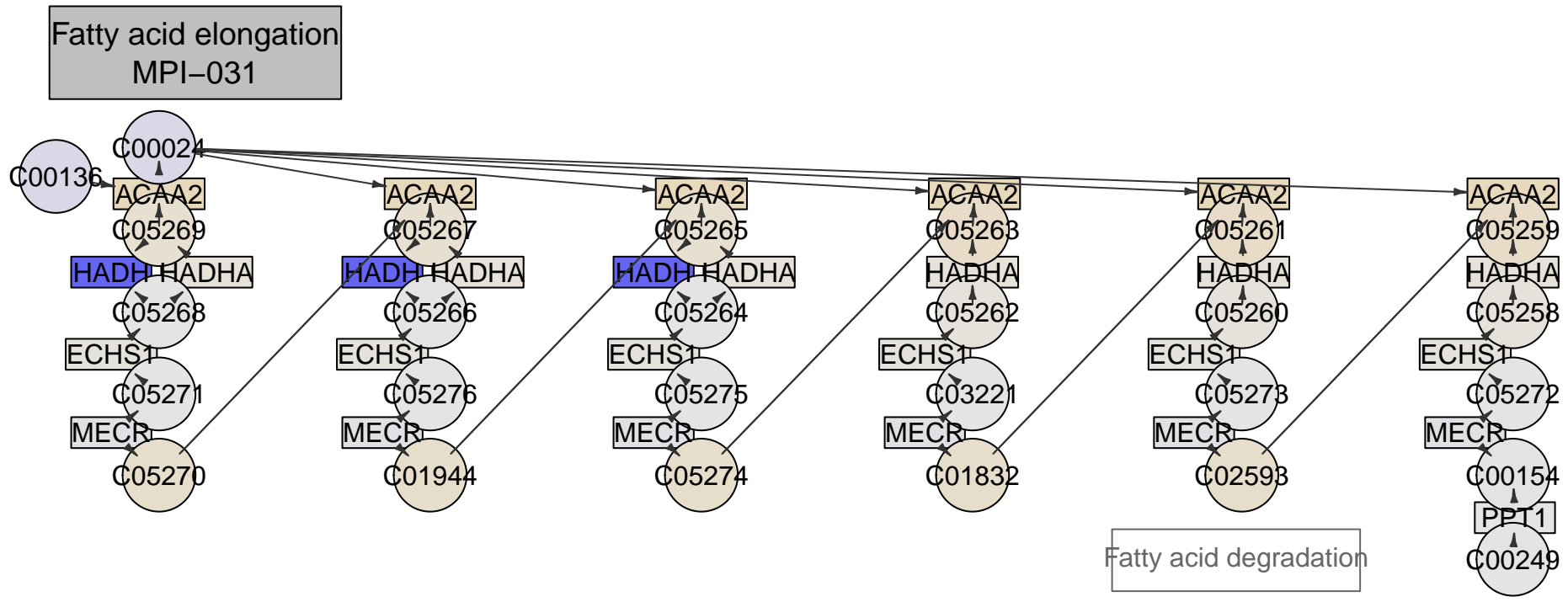




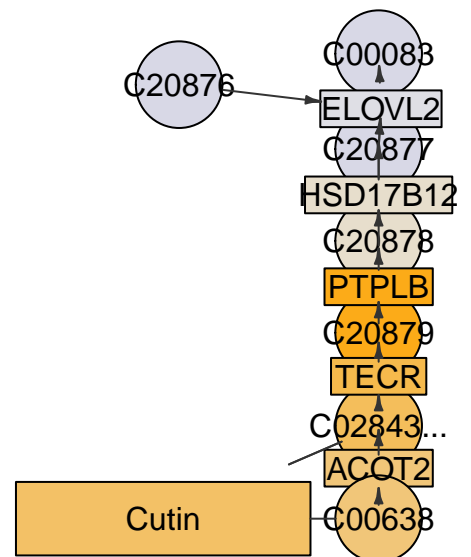
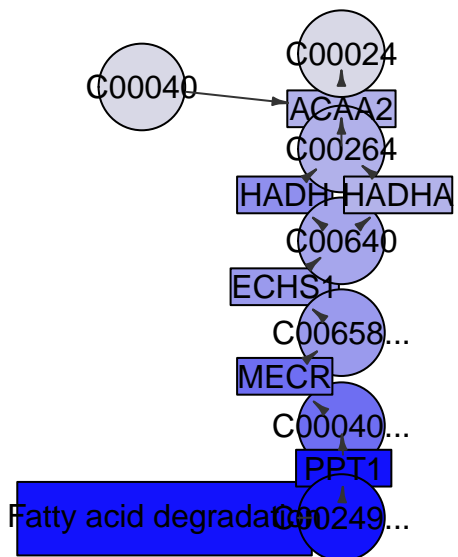
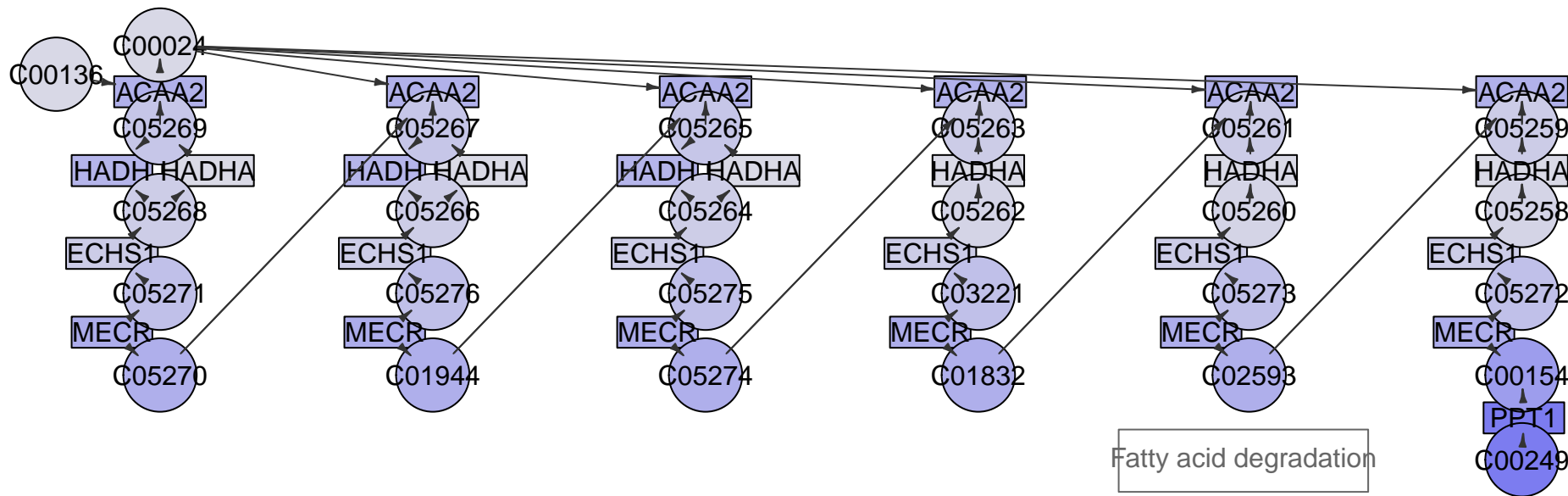


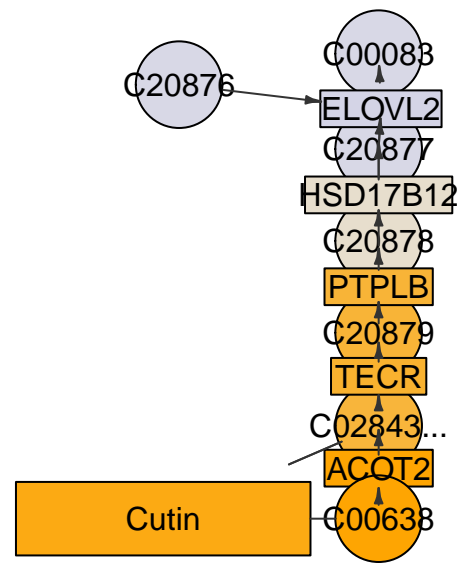
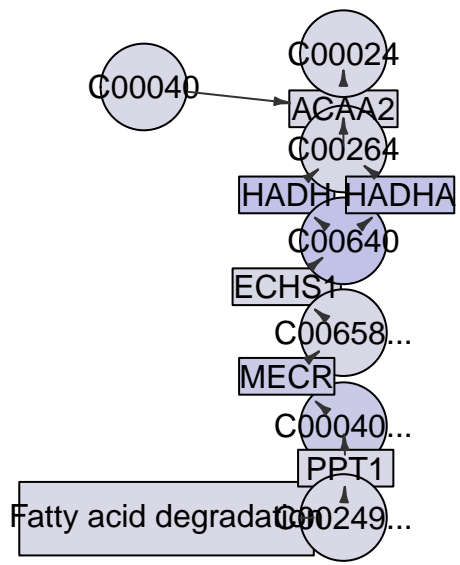
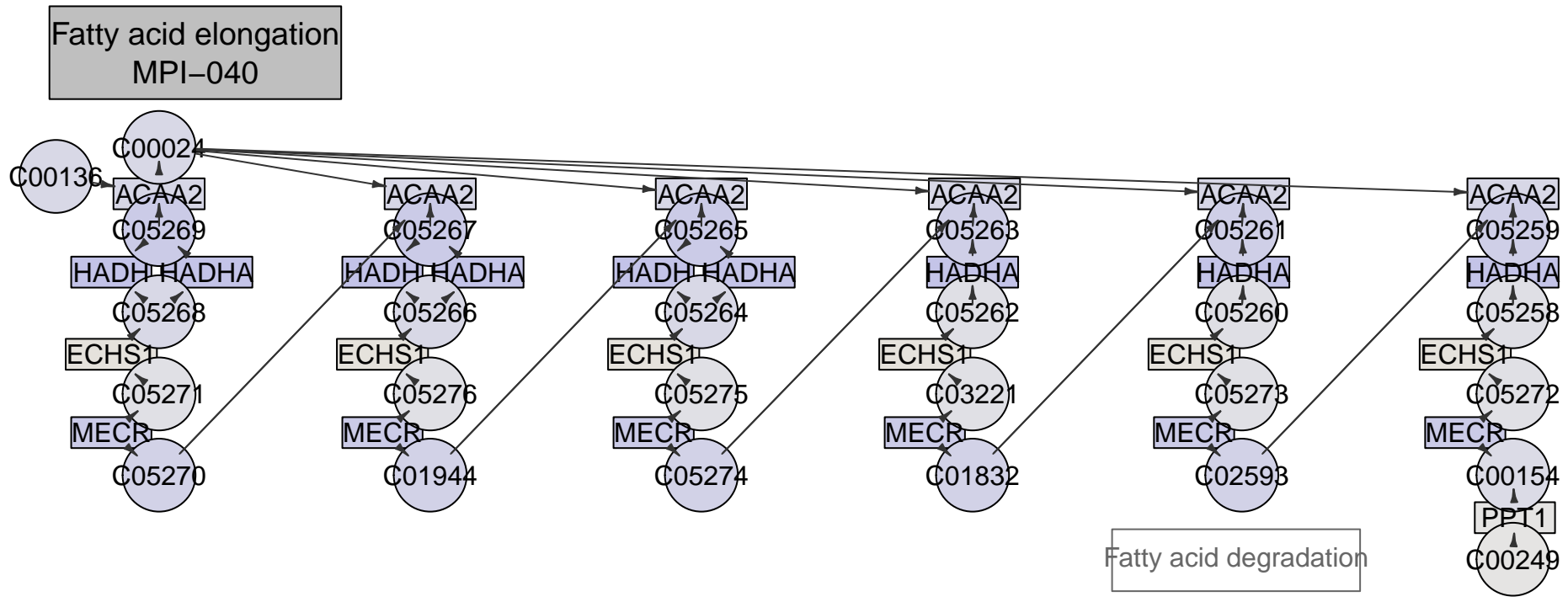




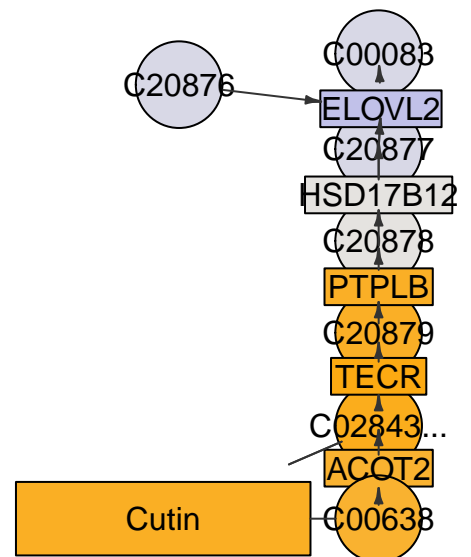
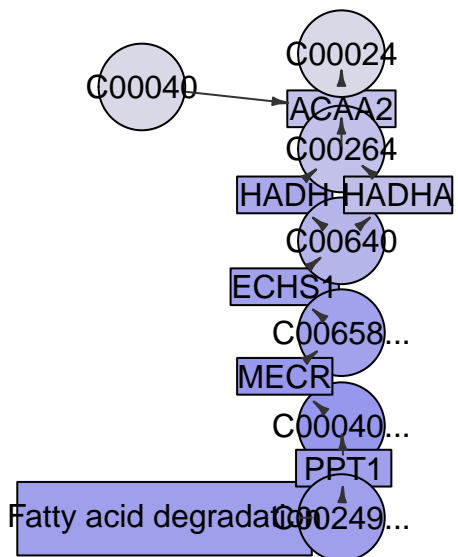
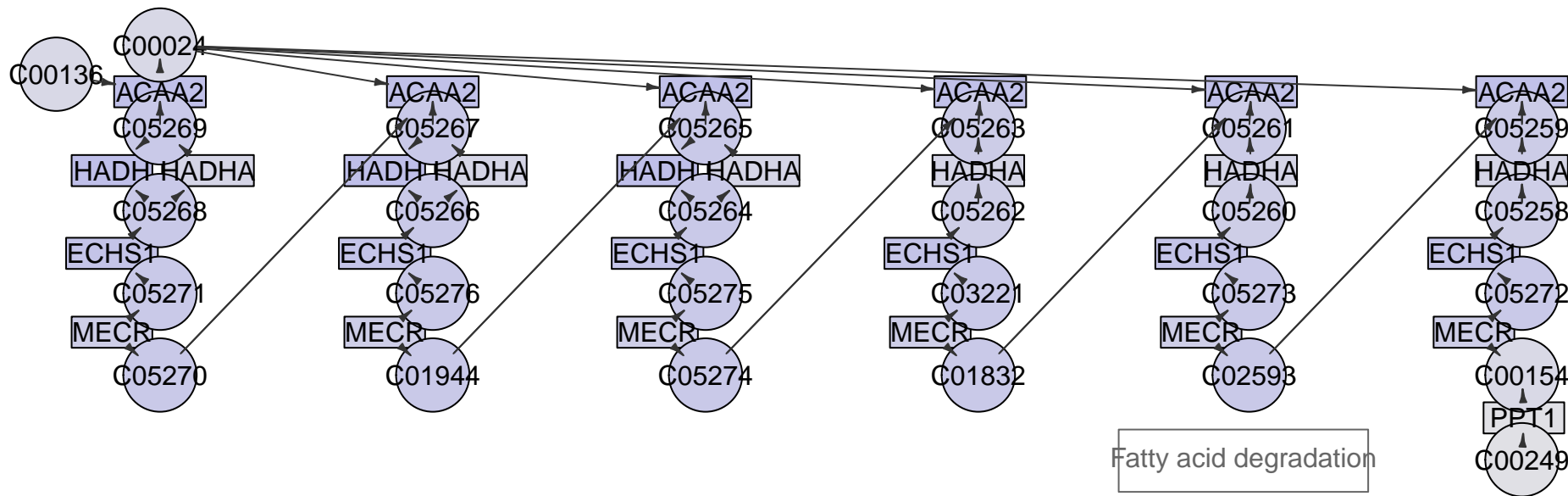


Fatty acid elongation
MPI-039

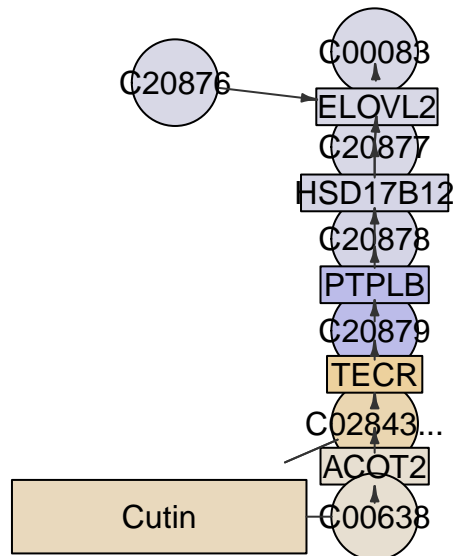
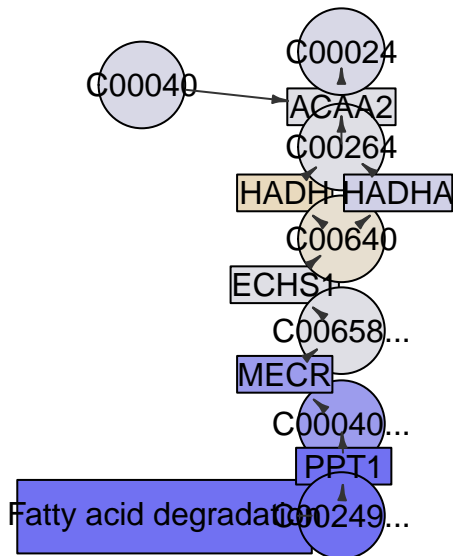
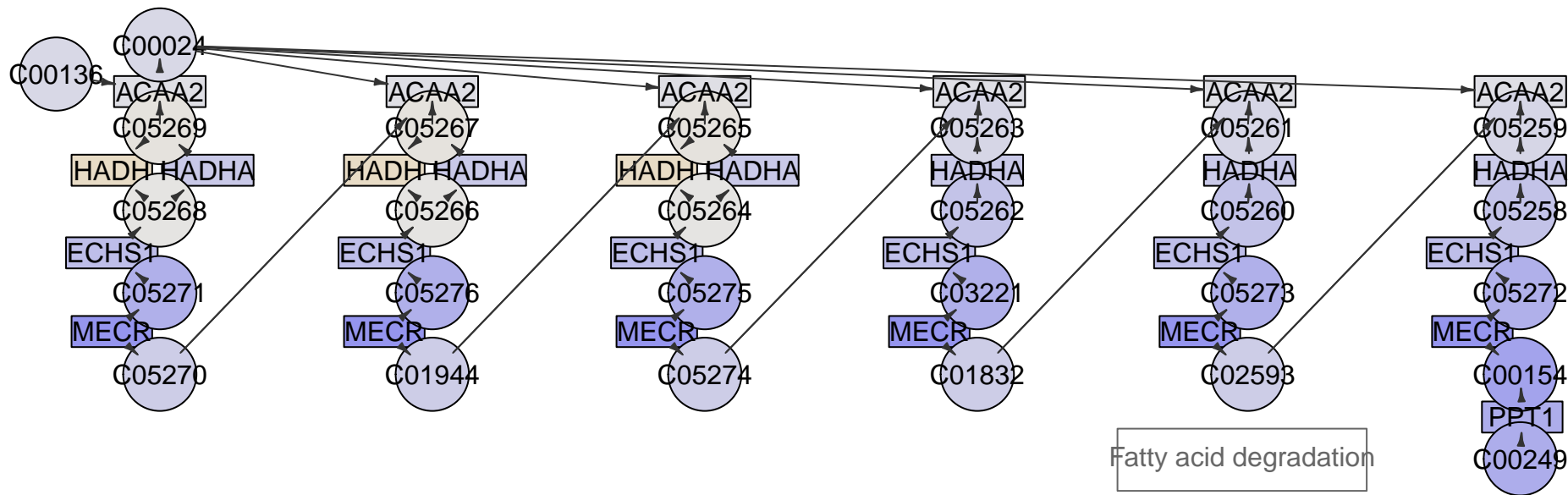




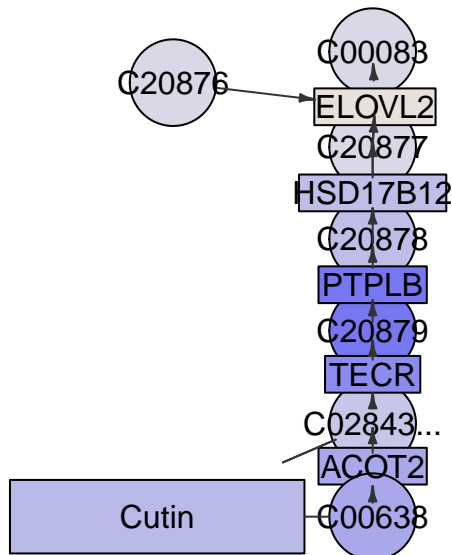
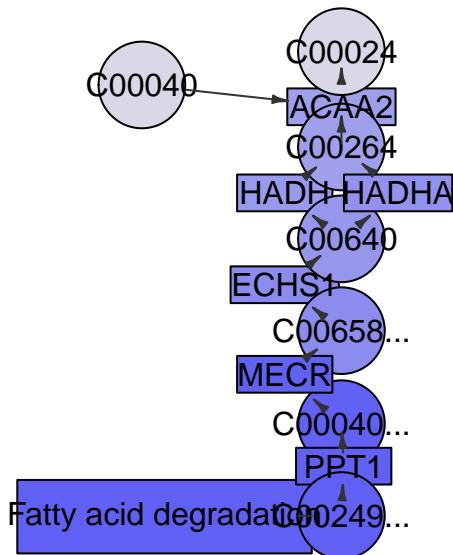
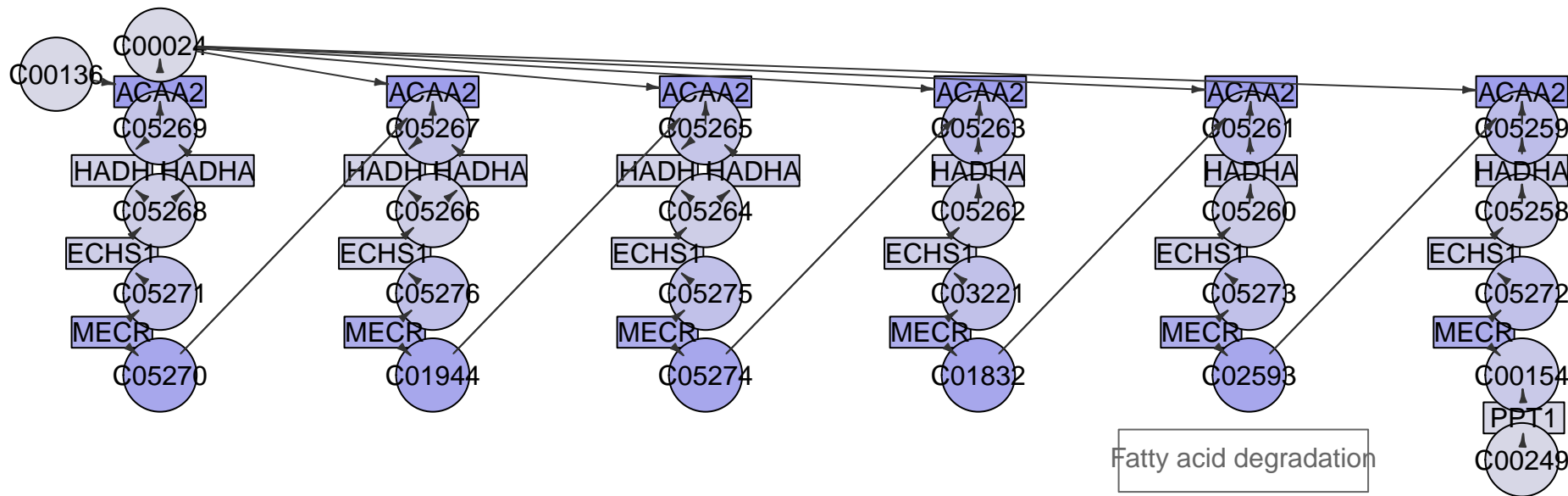
Fatty acid elongation
MPI-053

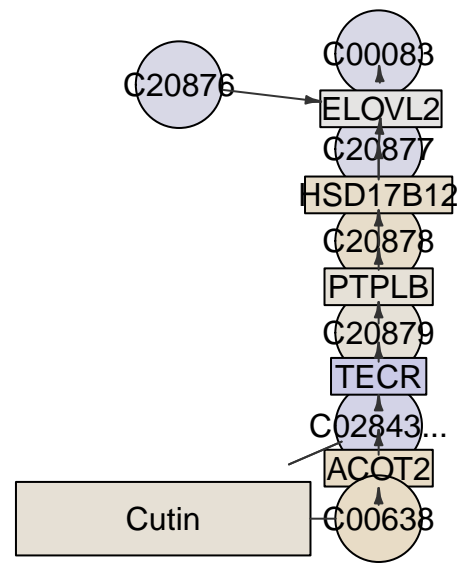
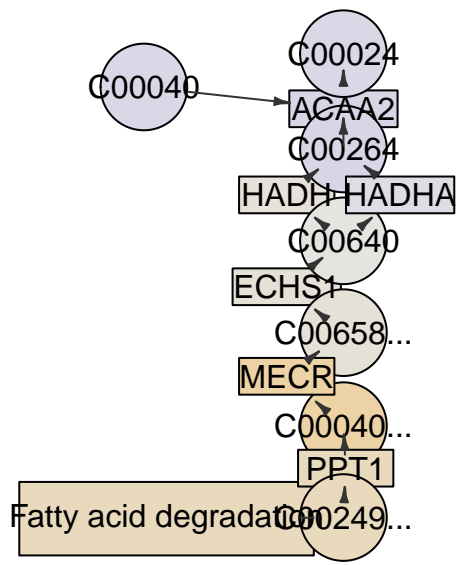
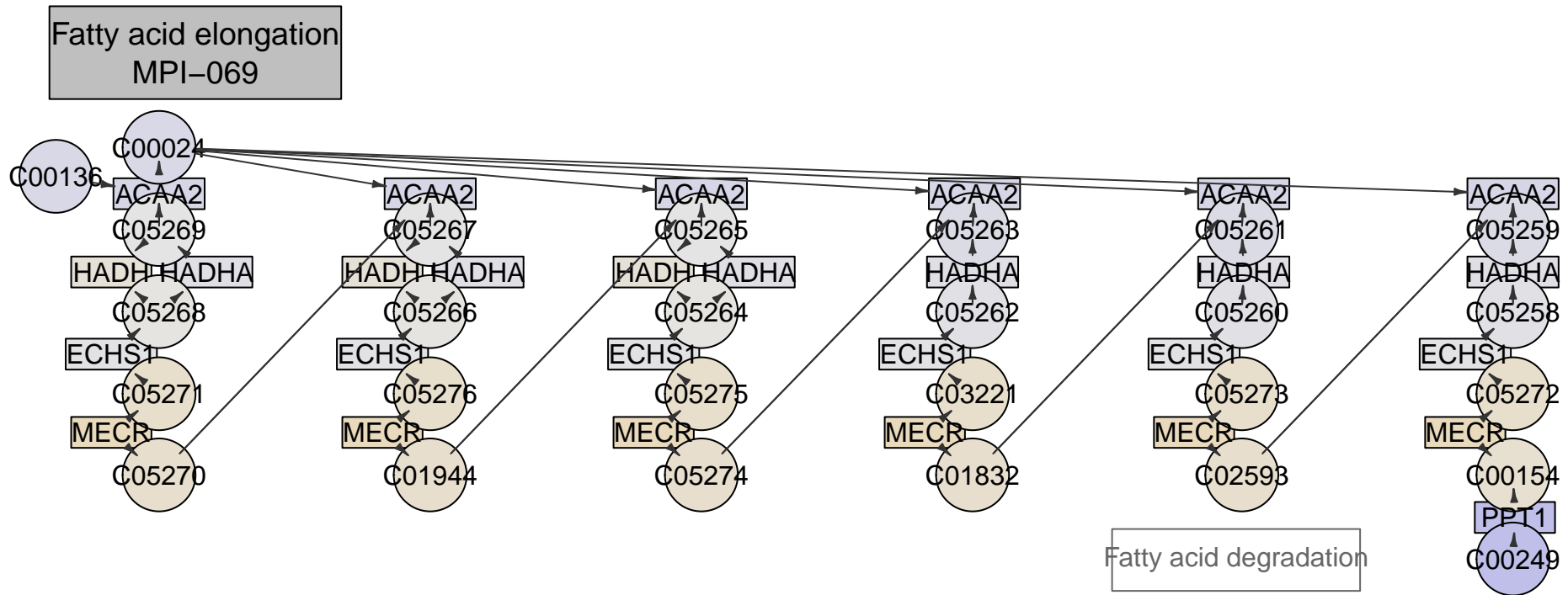


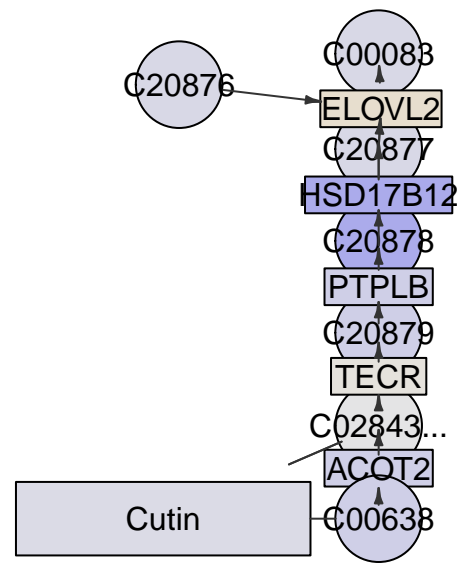
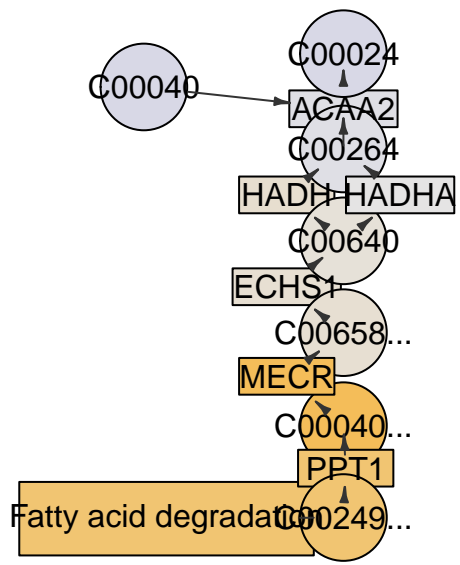
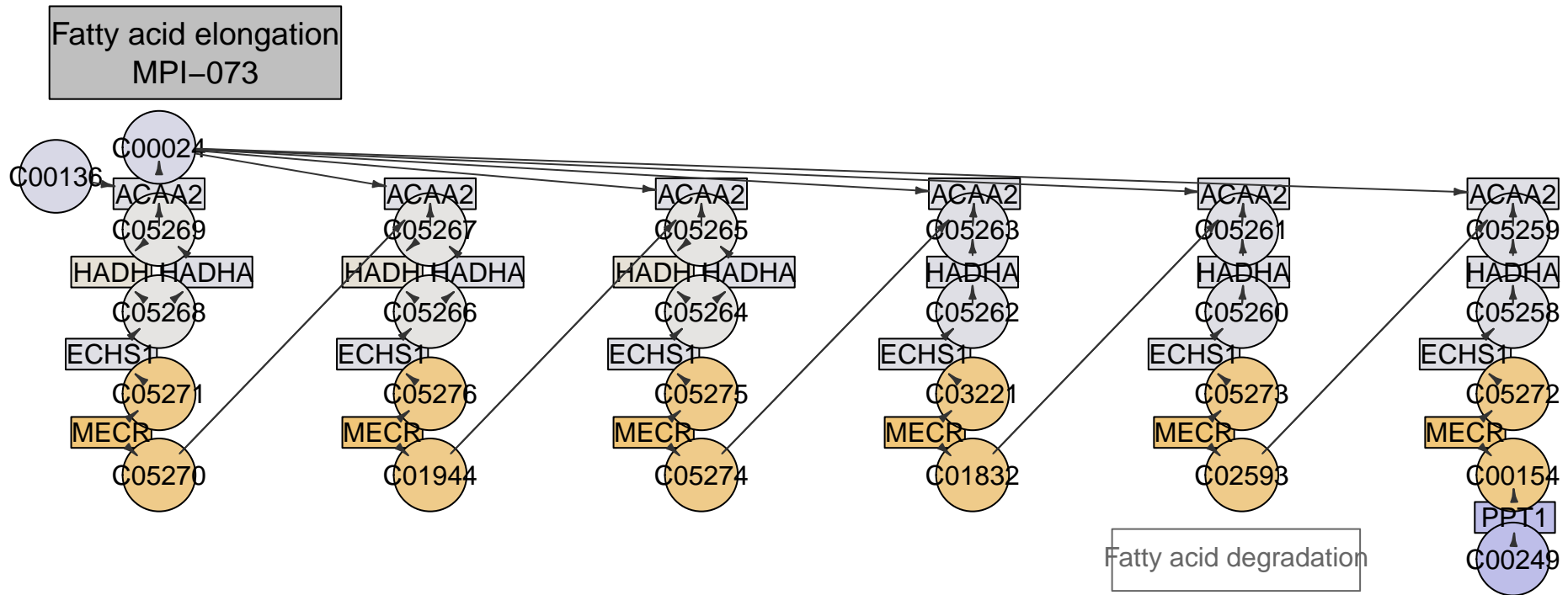
Fatty acid elongation
MPI-062

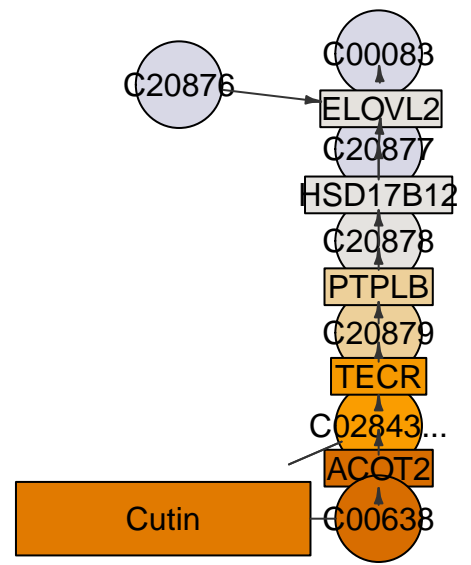
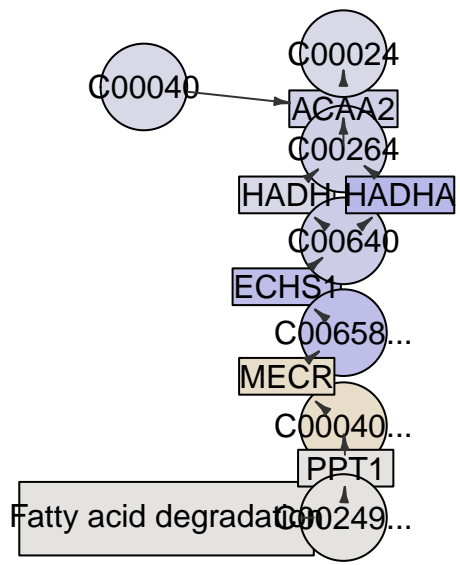
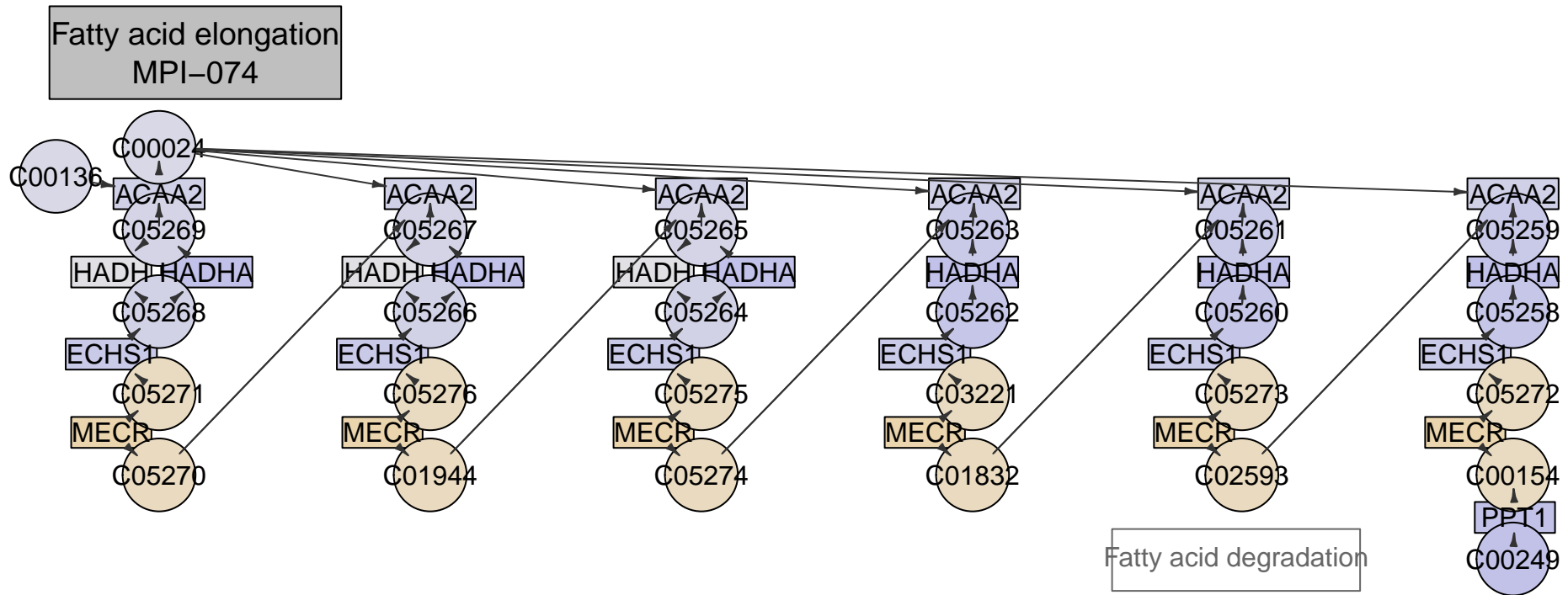


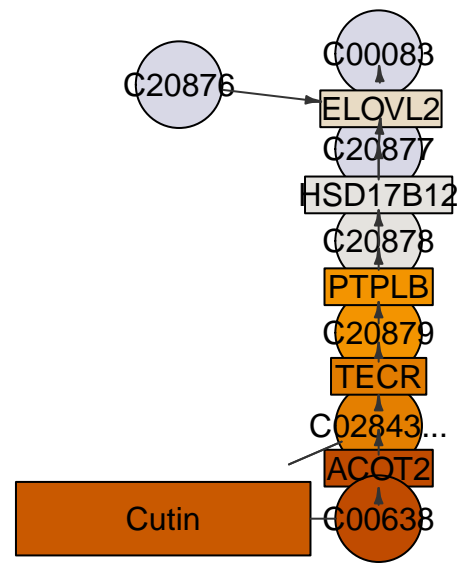
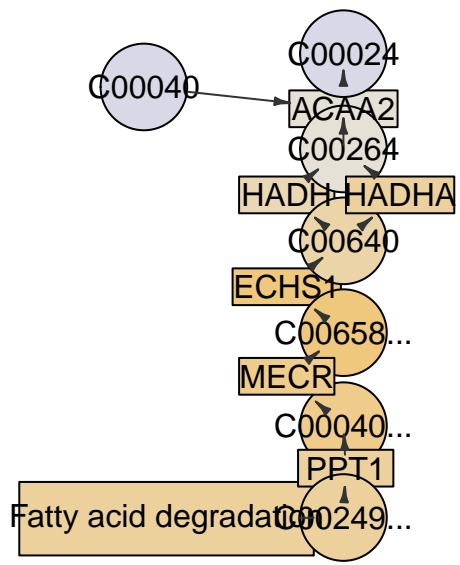
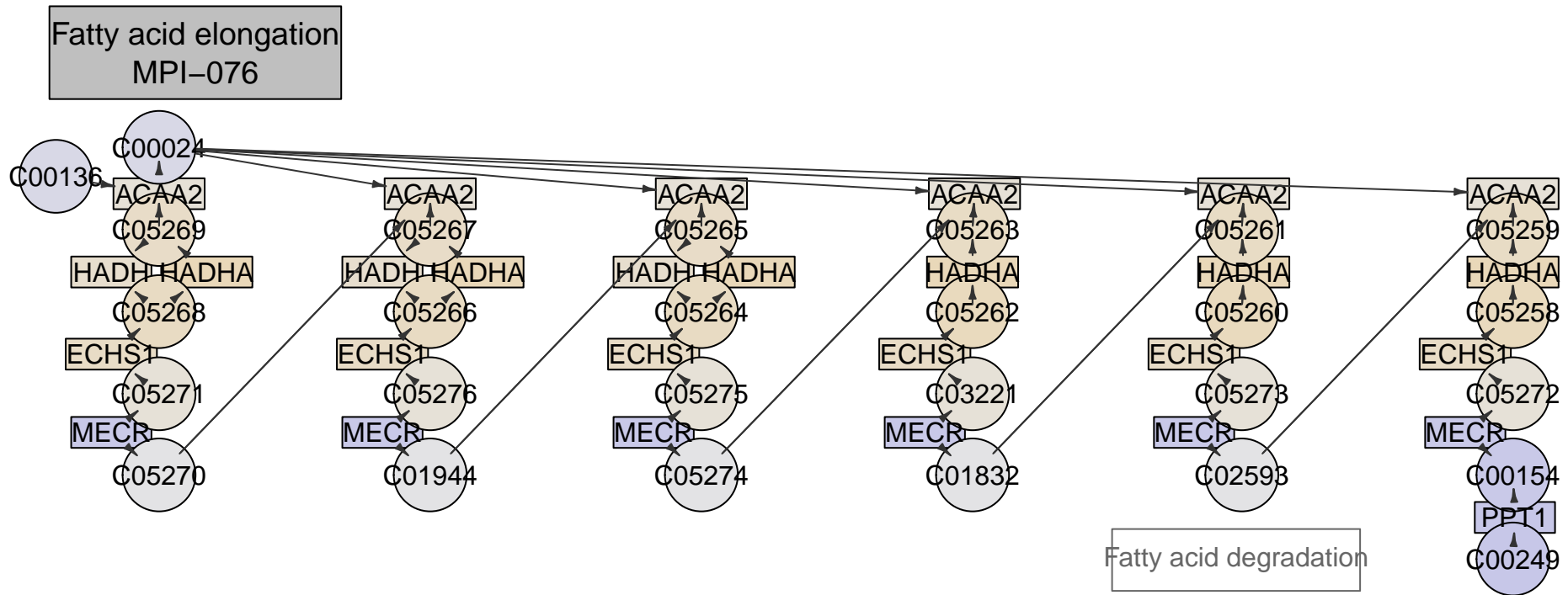
Fatty acid elongation
MPI-063

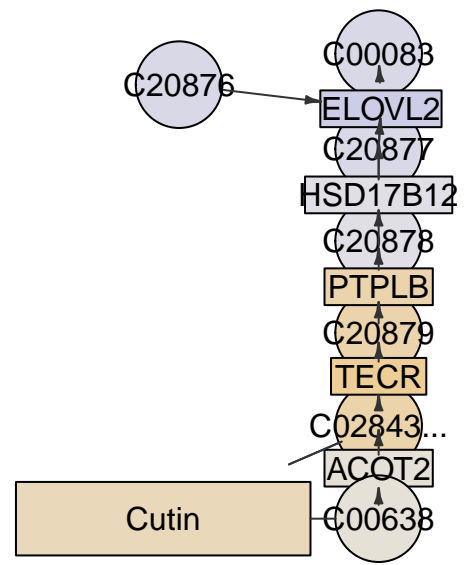
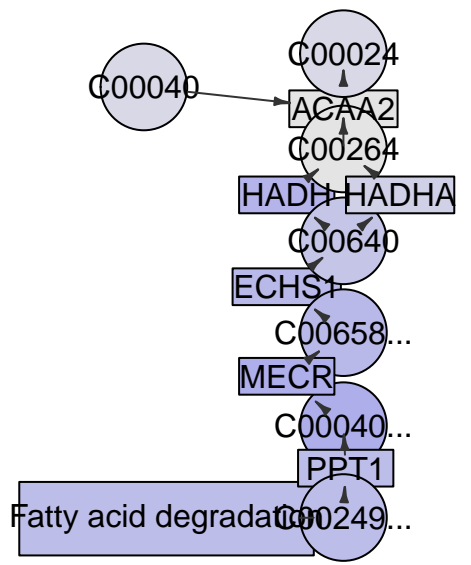
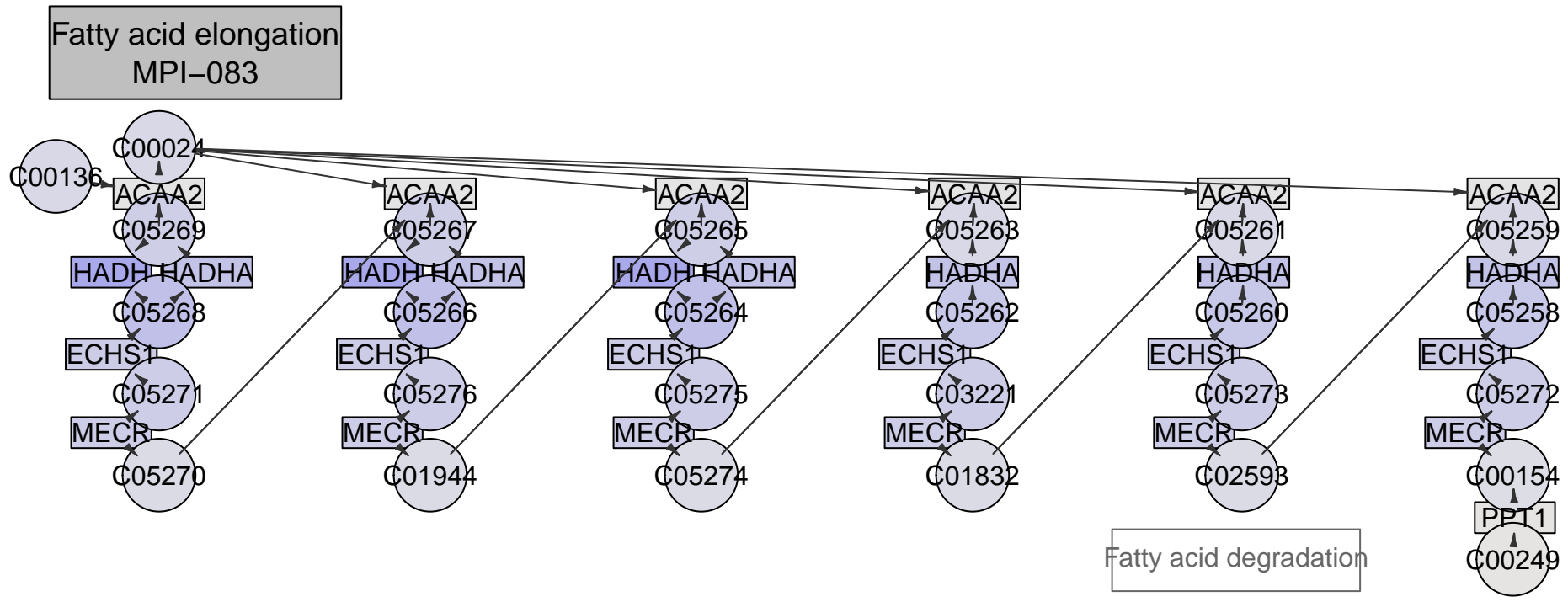


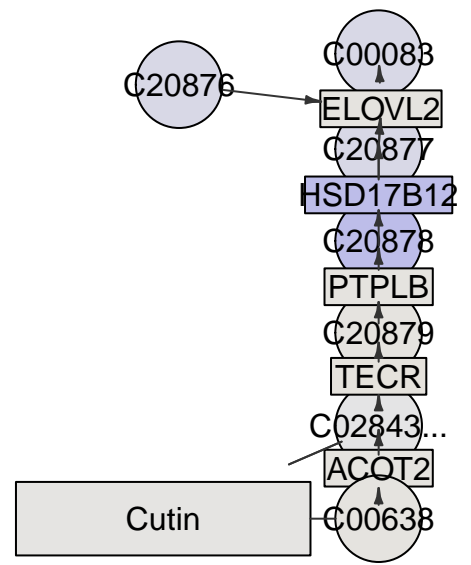
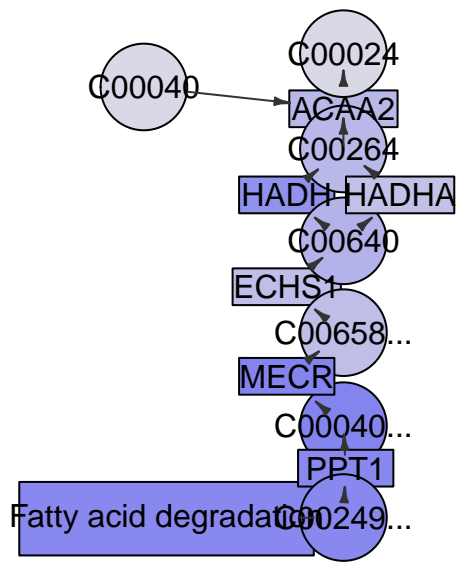
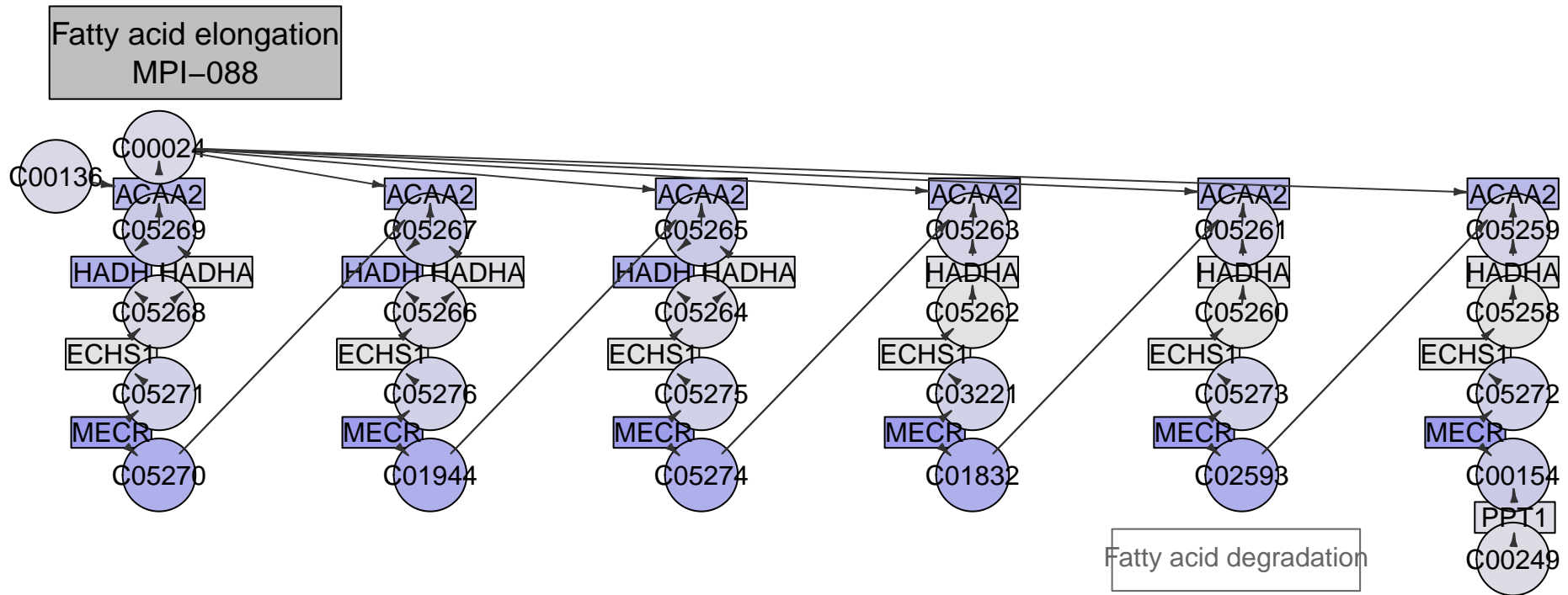


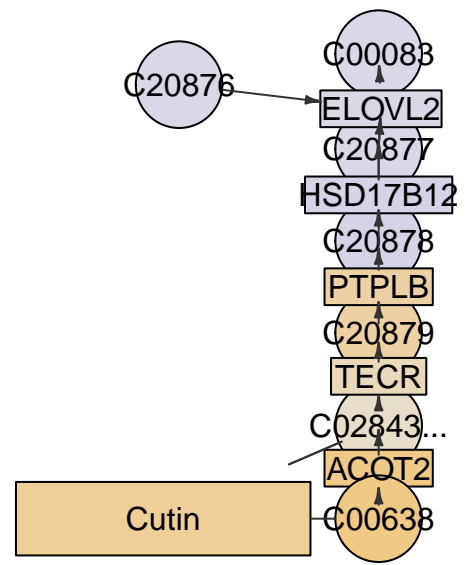
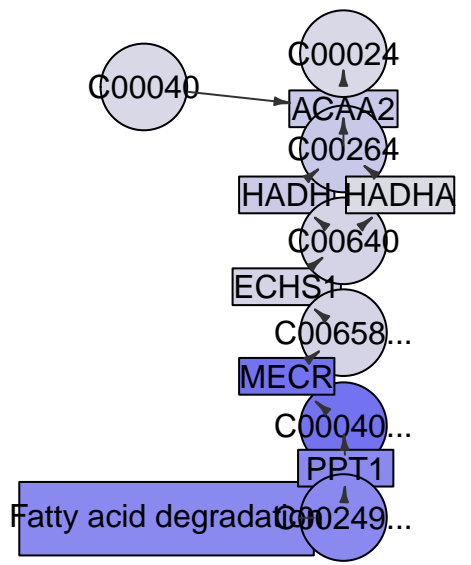
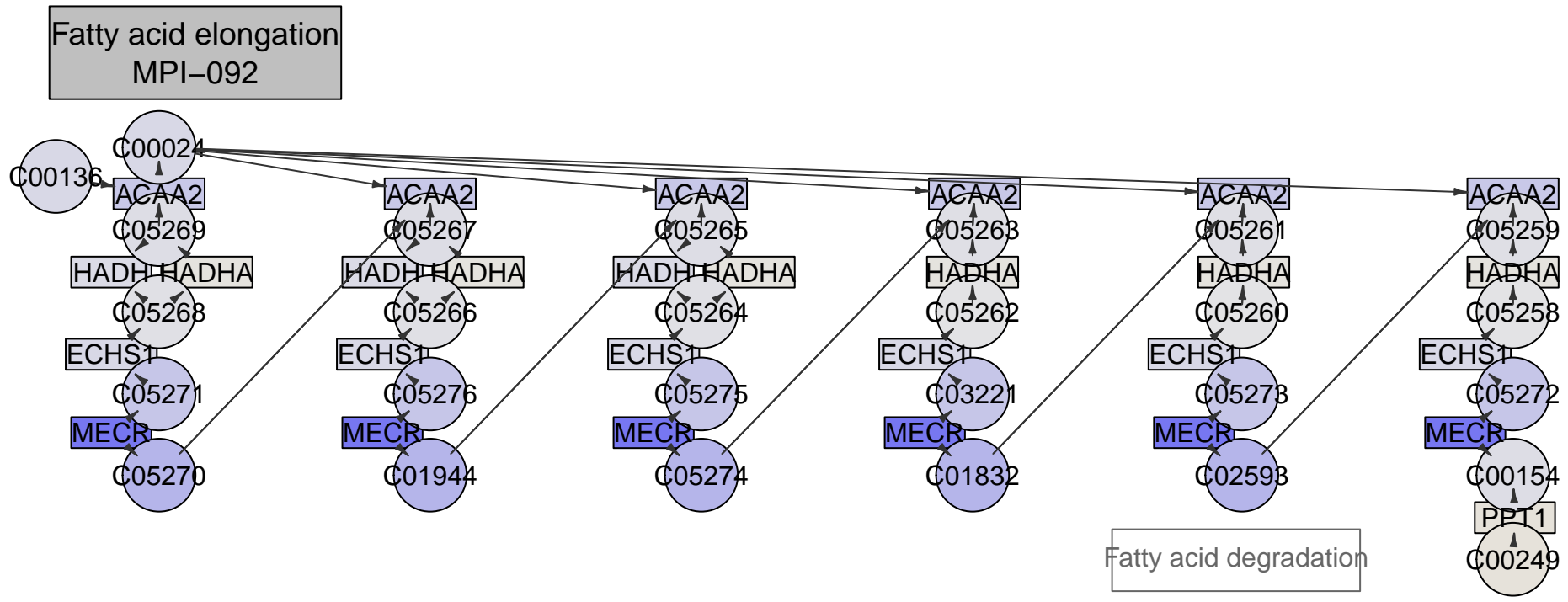


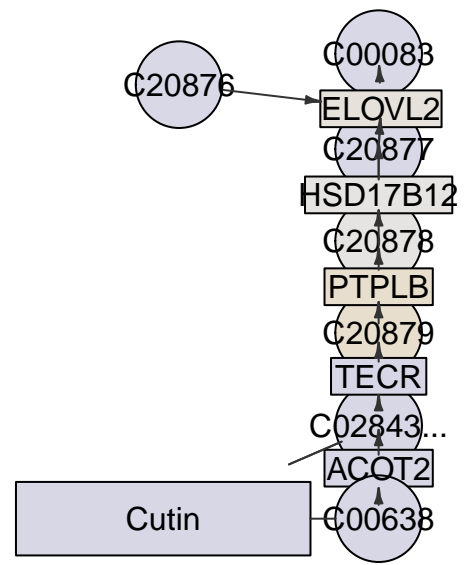
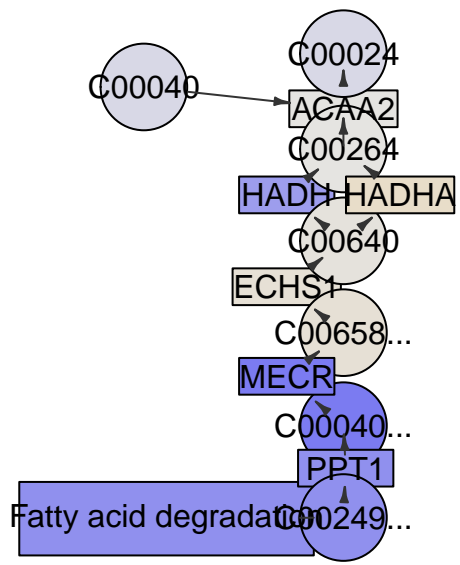
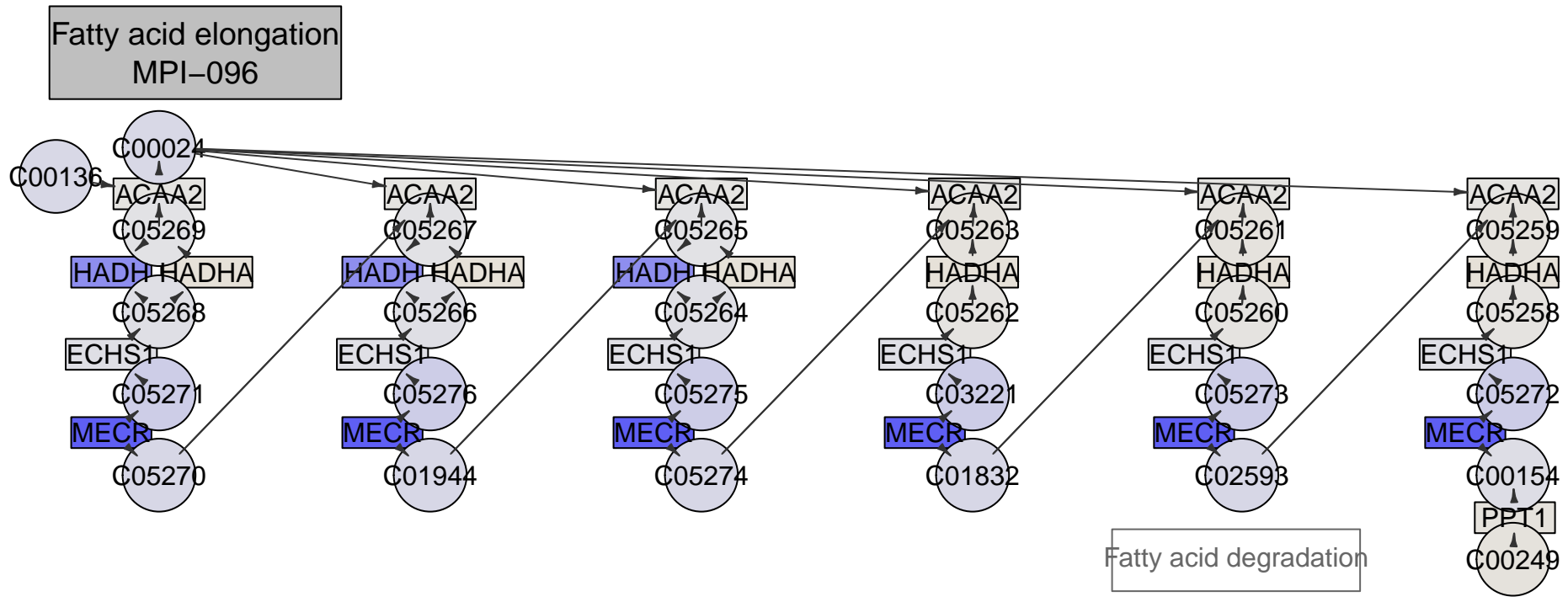




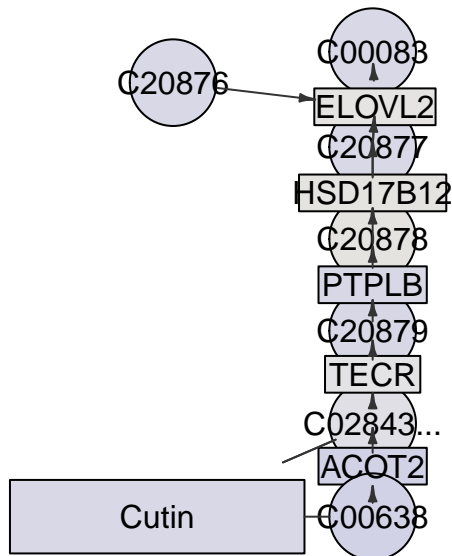
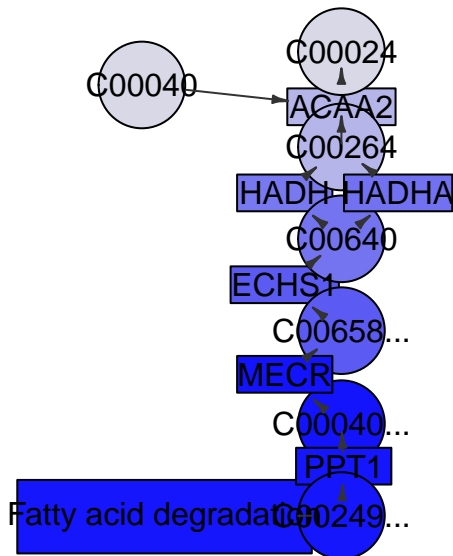
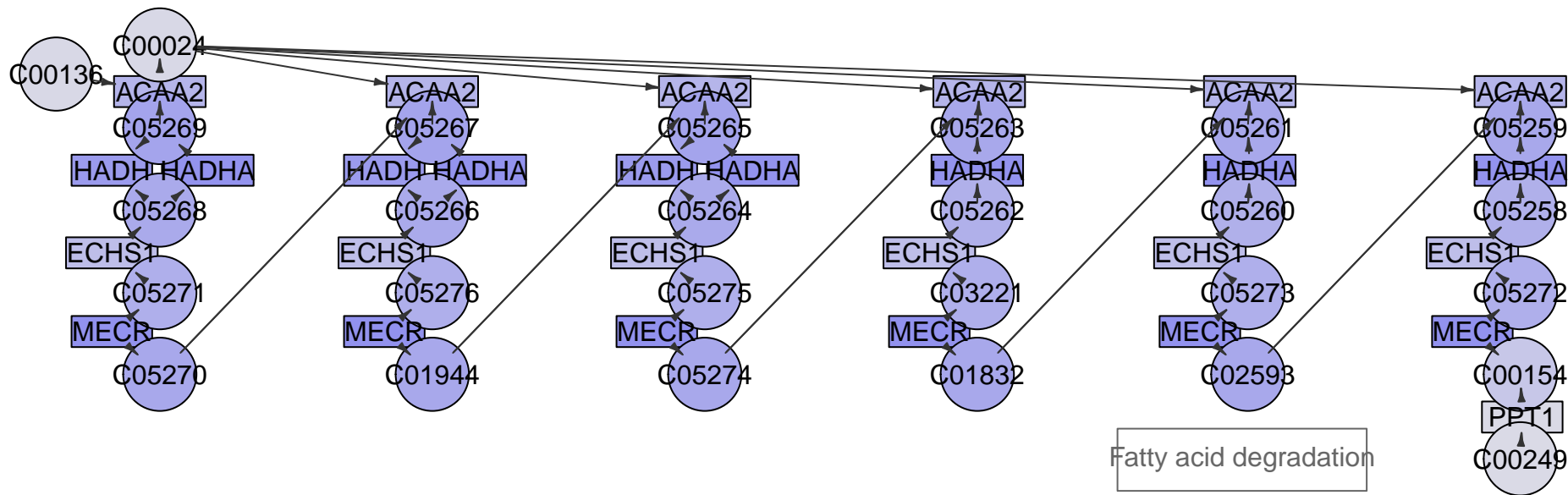


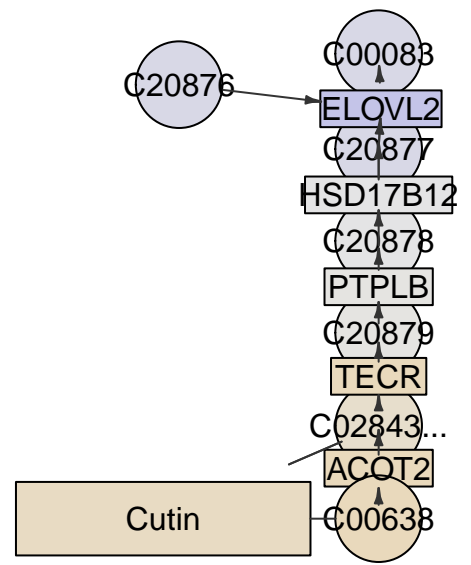
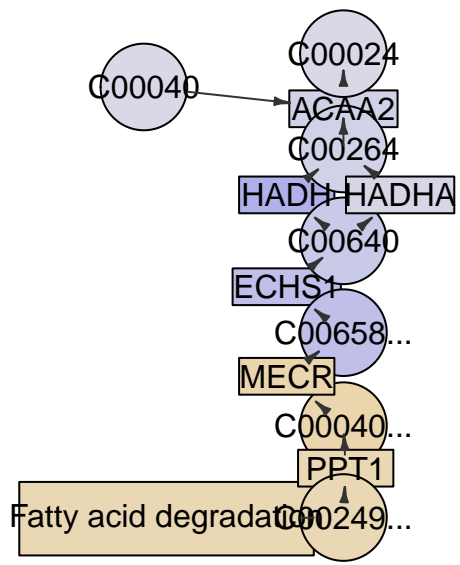
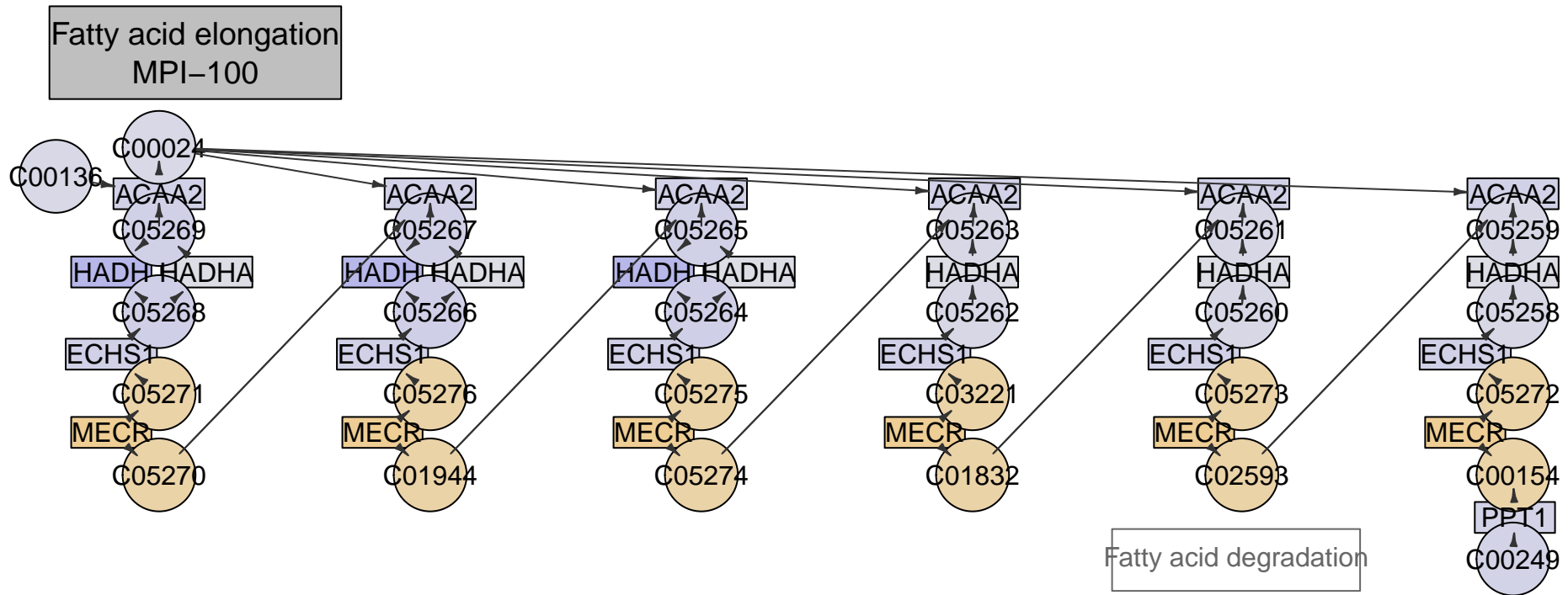


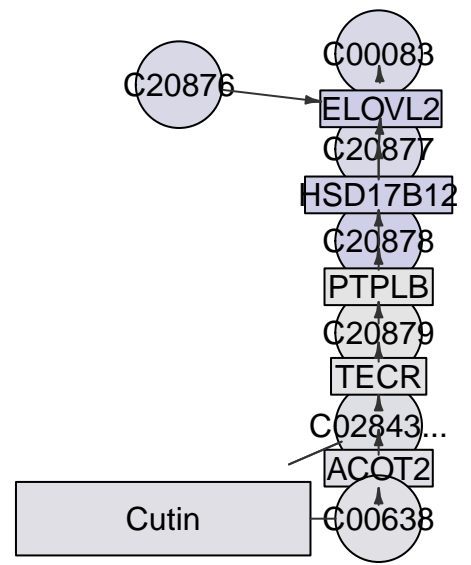
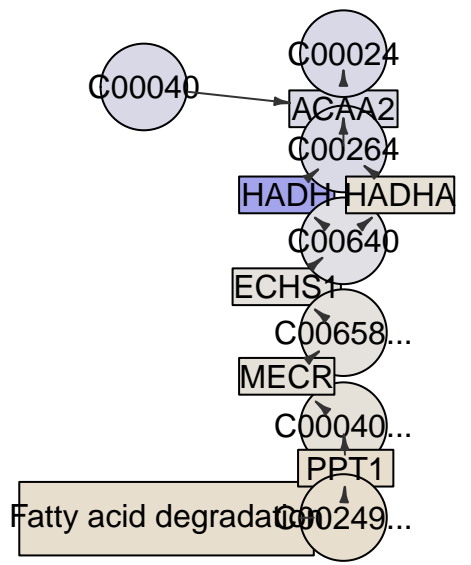
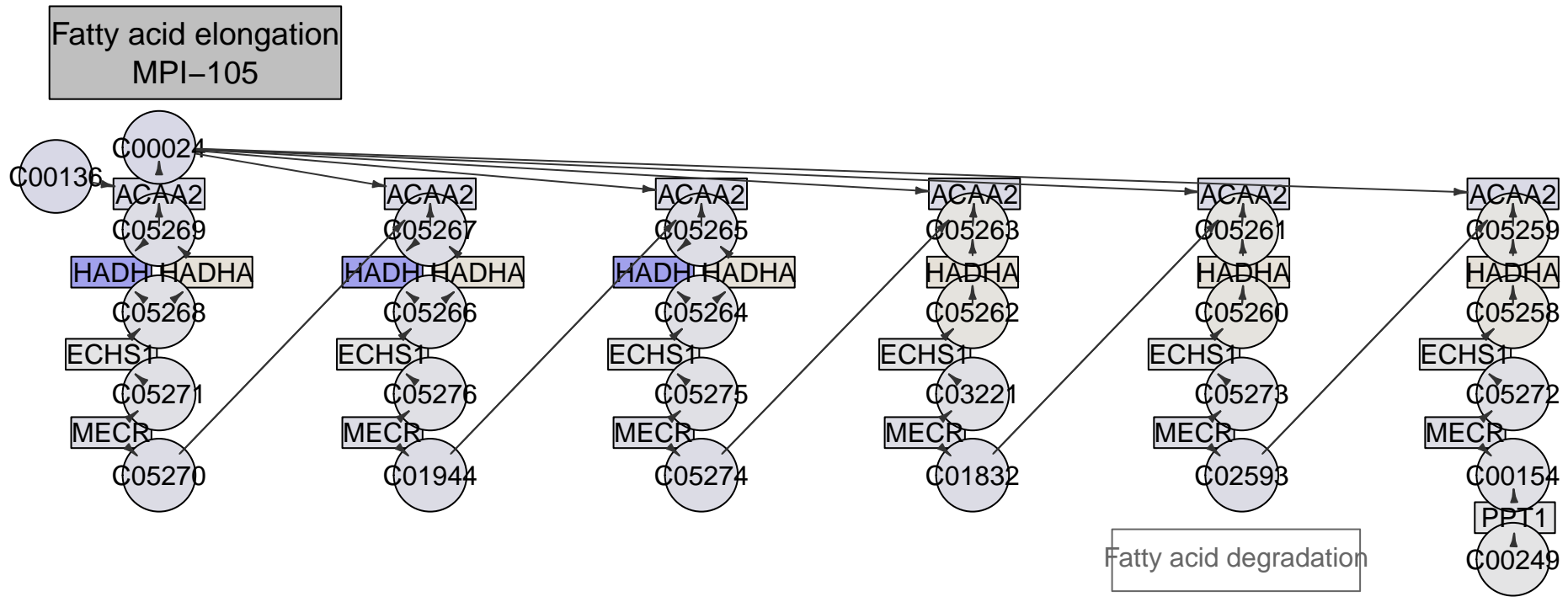


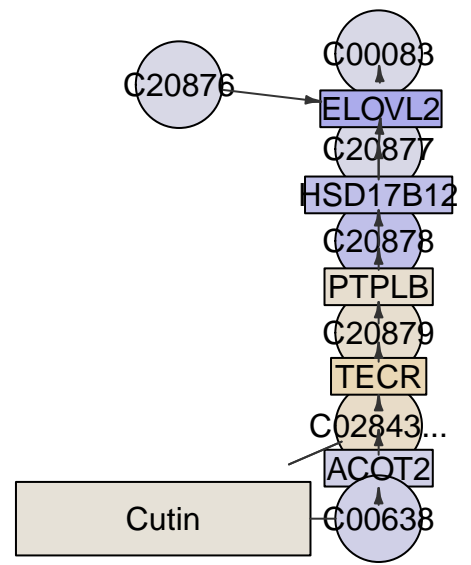
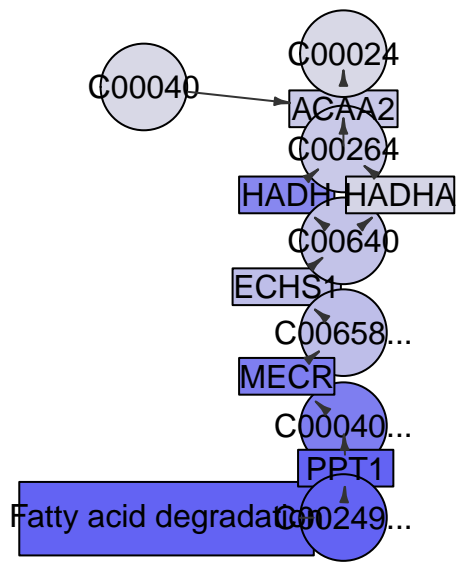
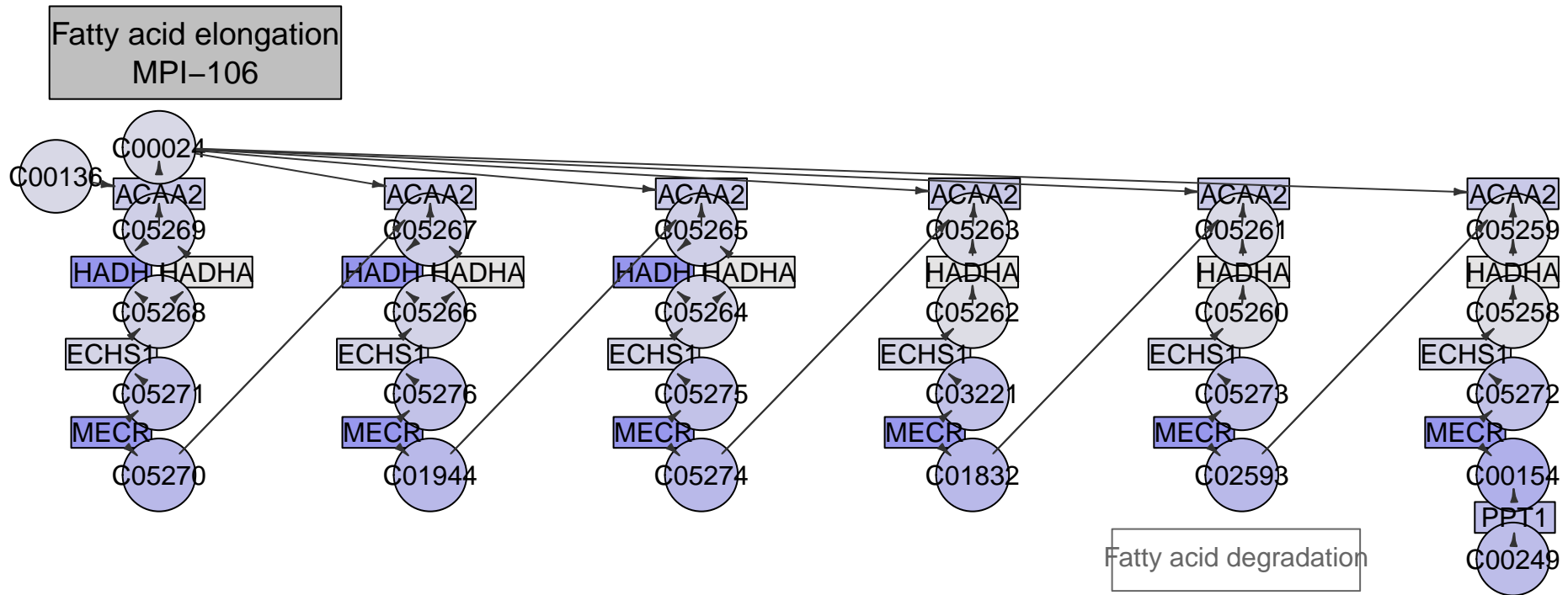


Fatty acid elongation
MPI-098

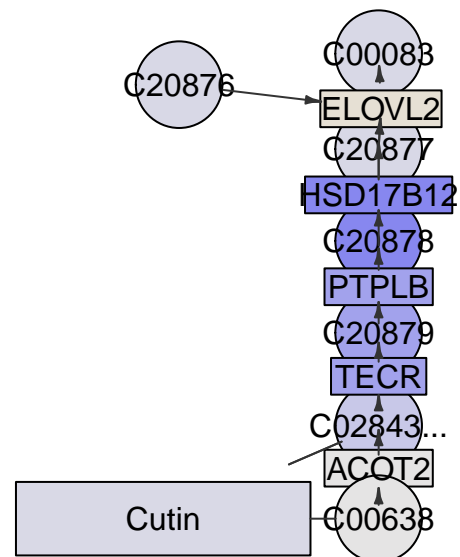
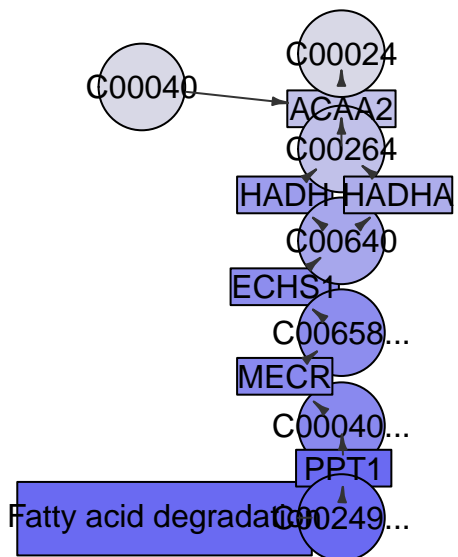
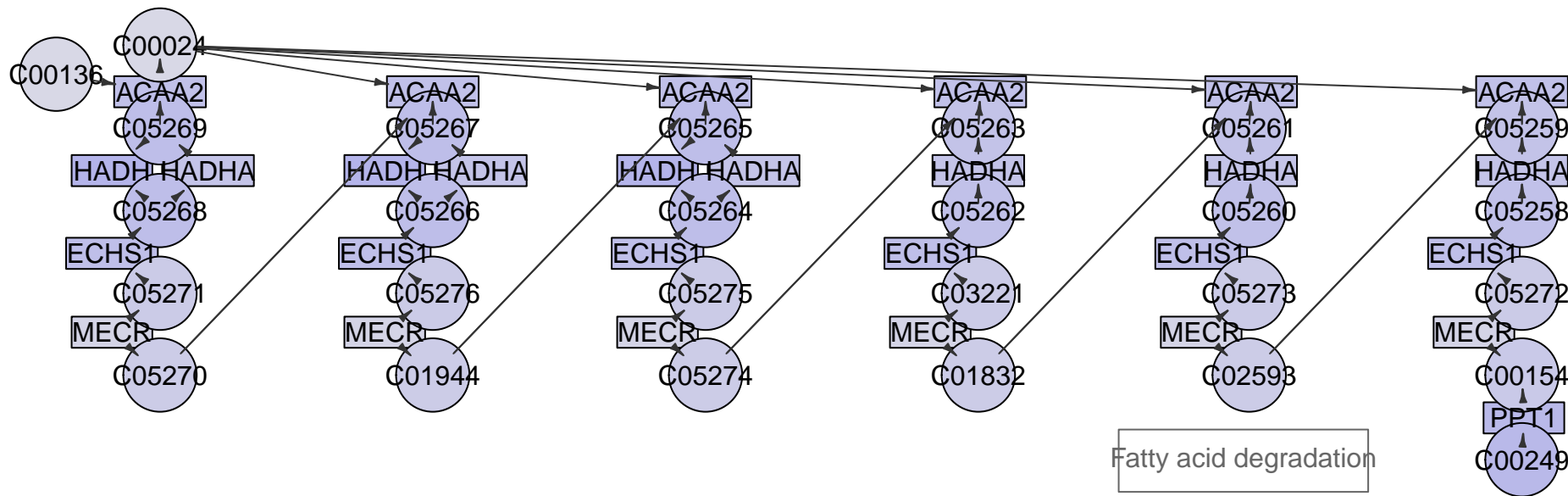




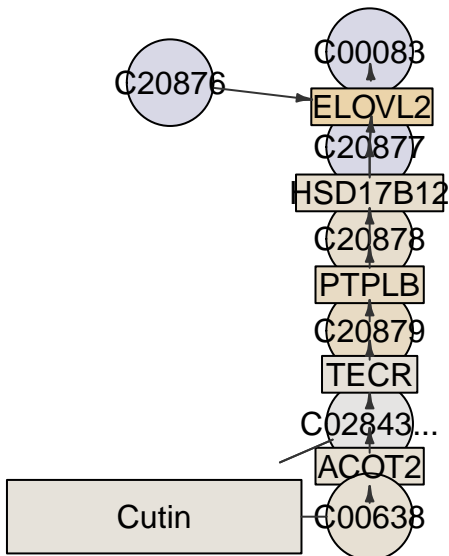
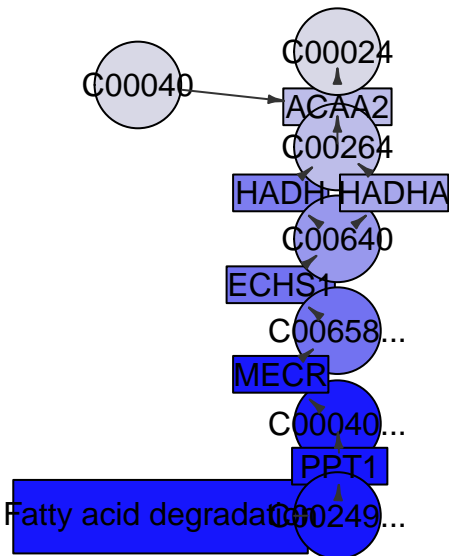
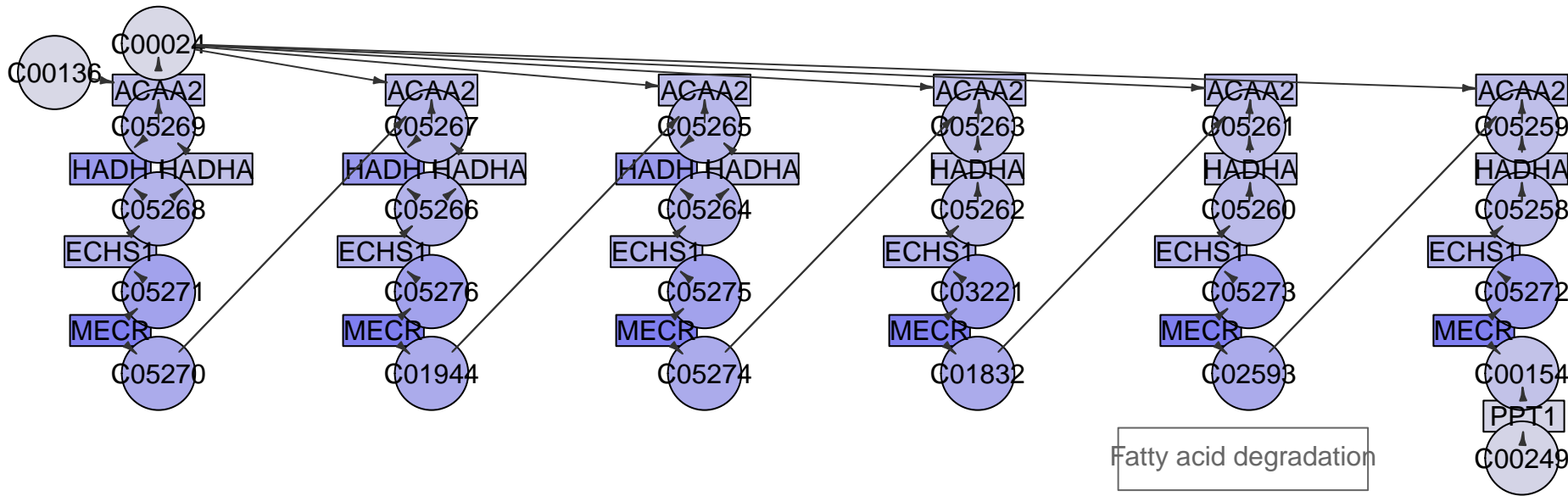


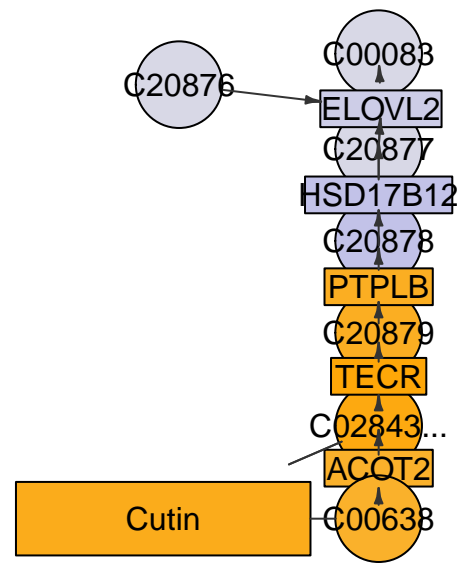
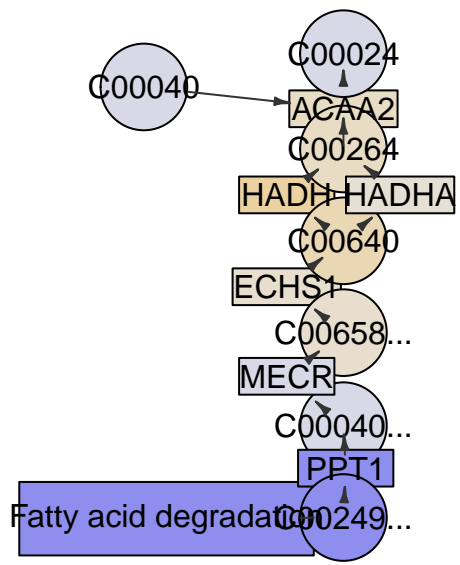
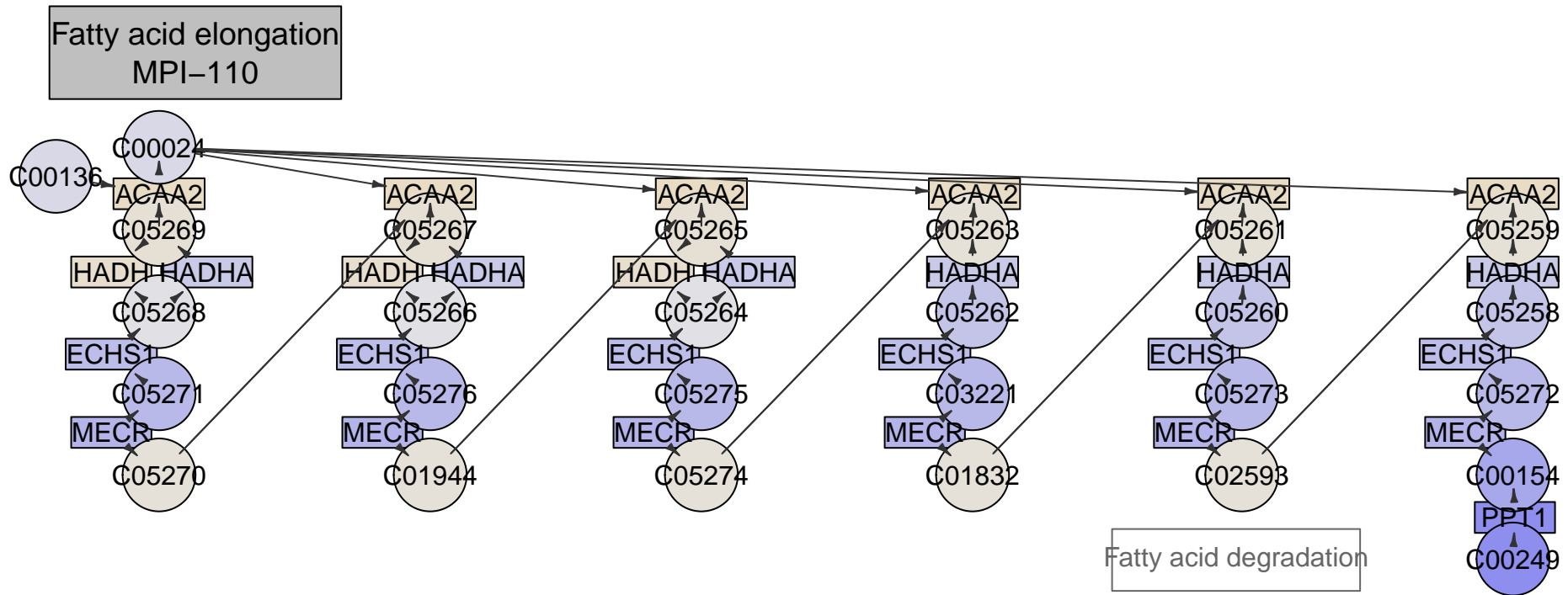


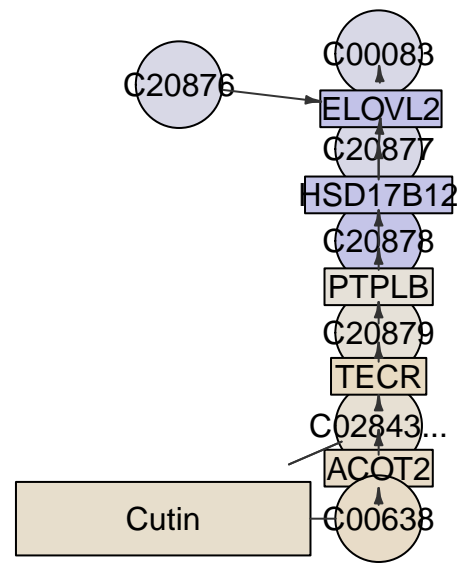
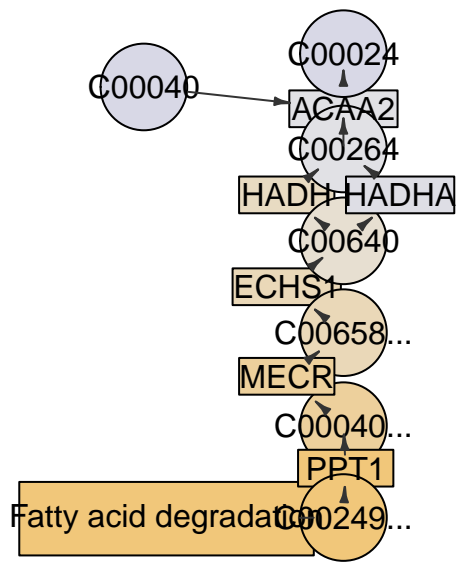
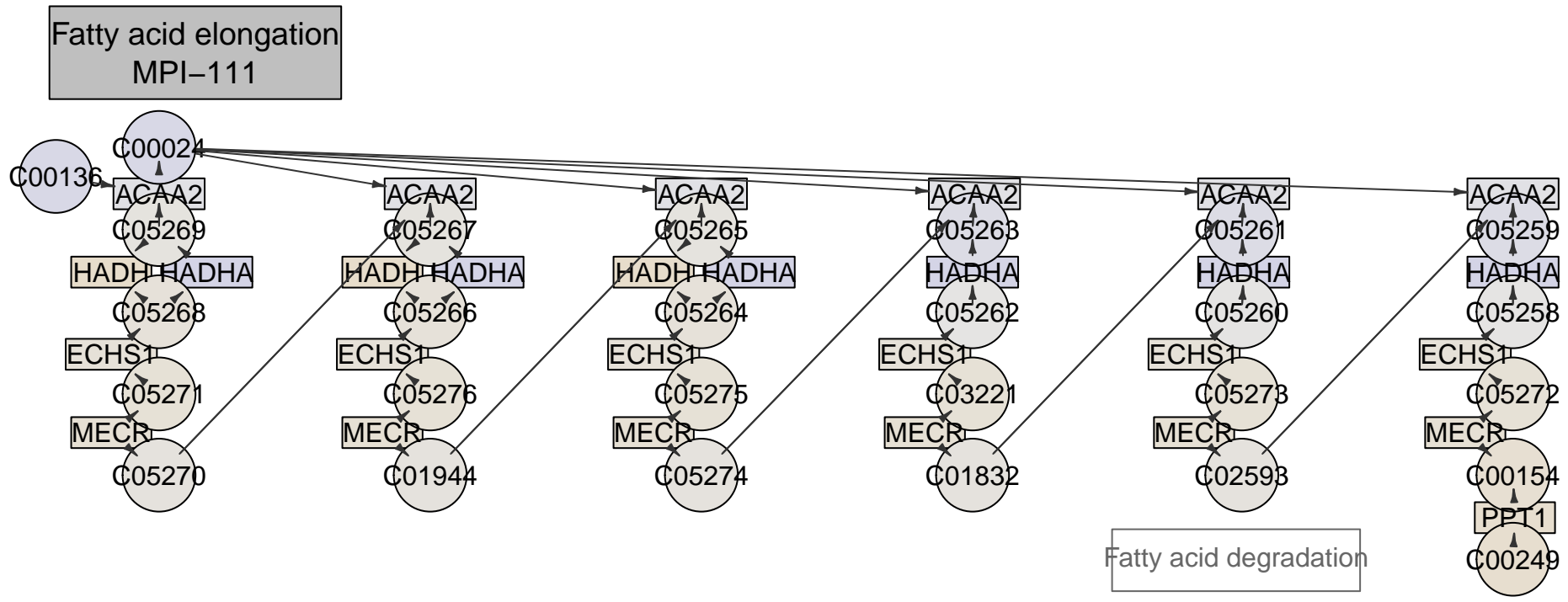
Fatty acid elongation
MPI-108

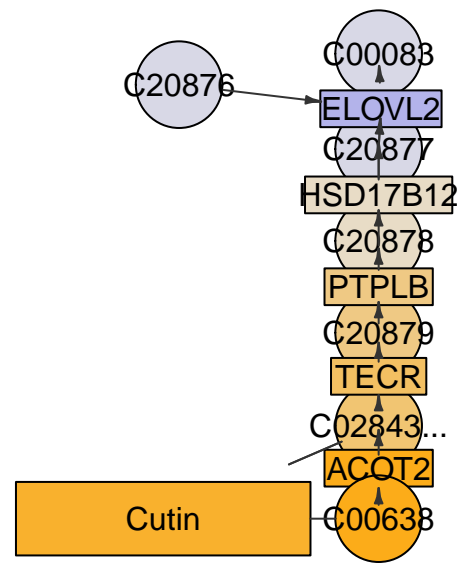
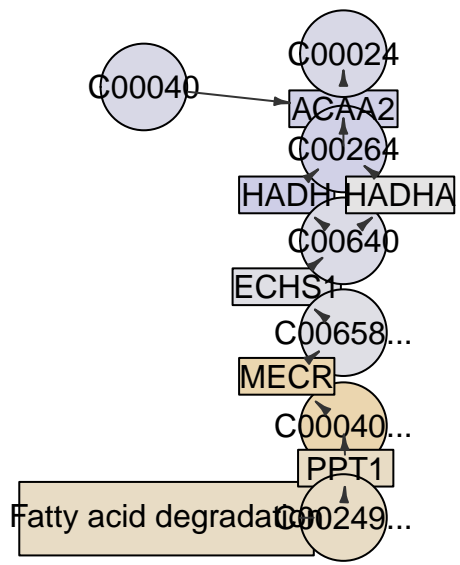
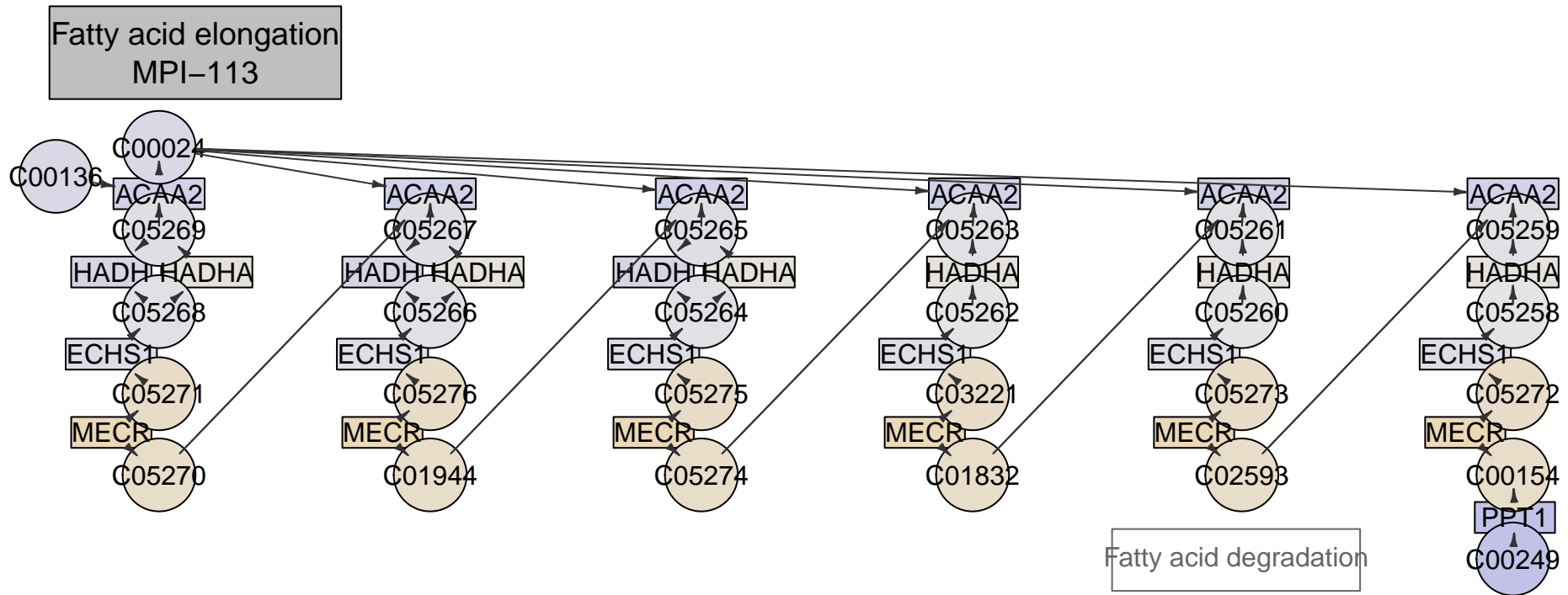


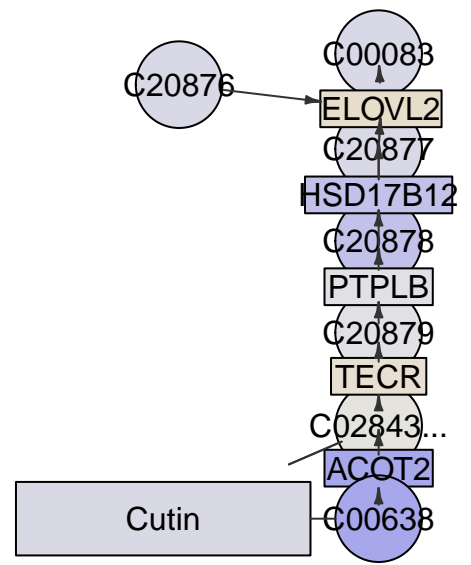
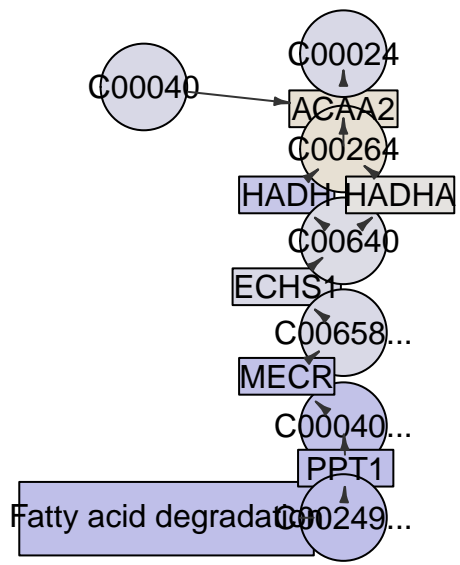
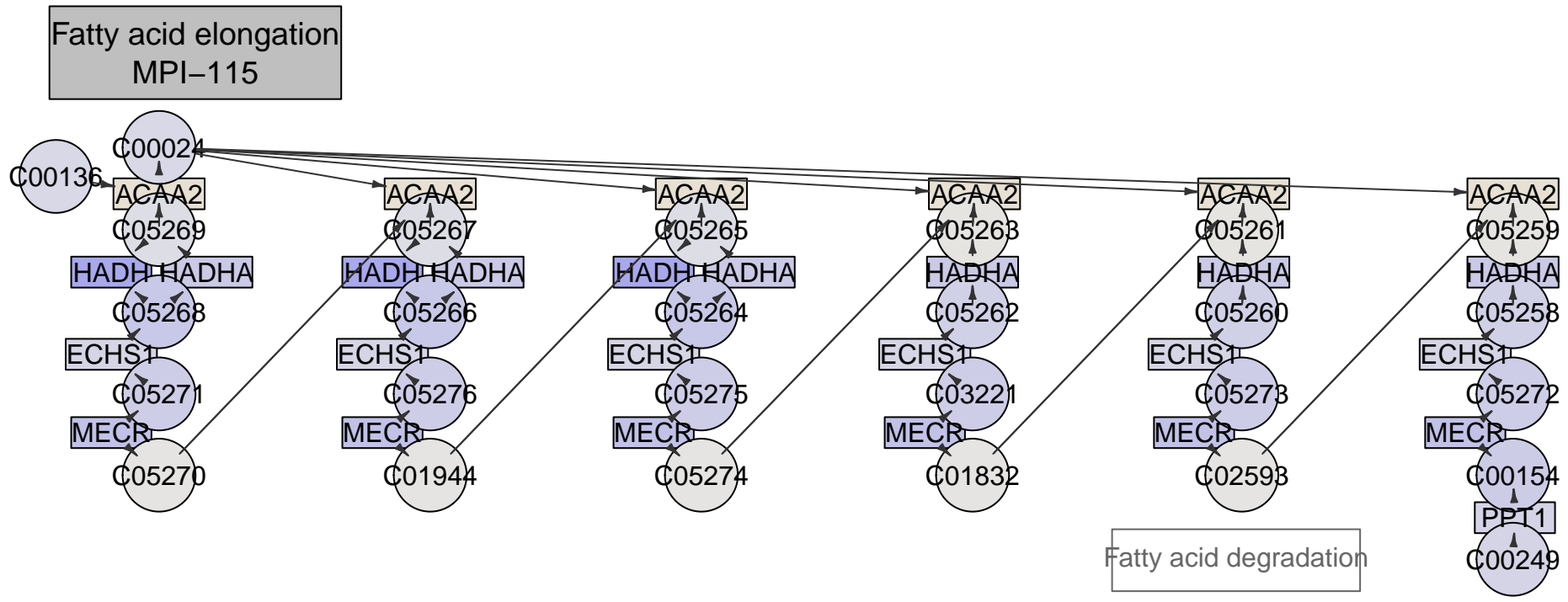
Fatty acid elongation
MPI-109

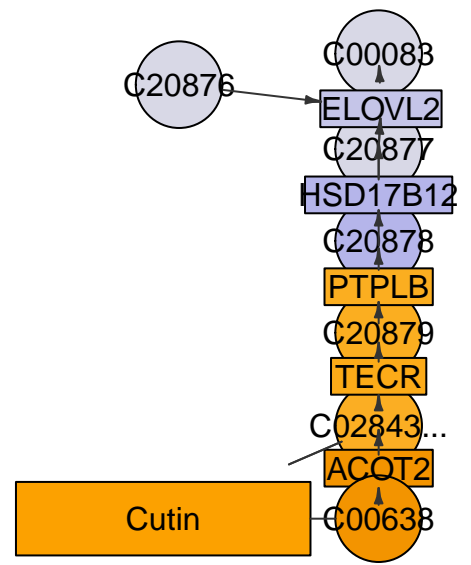
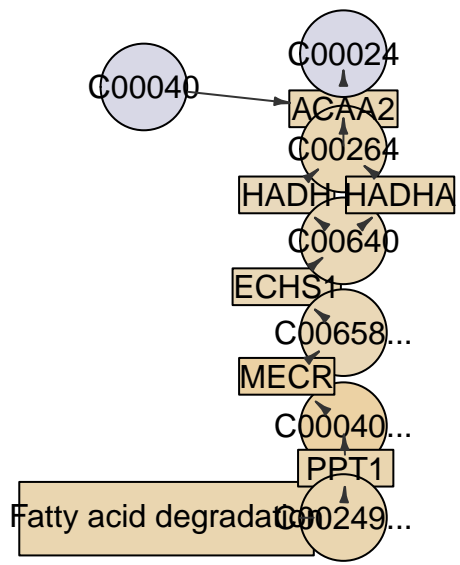
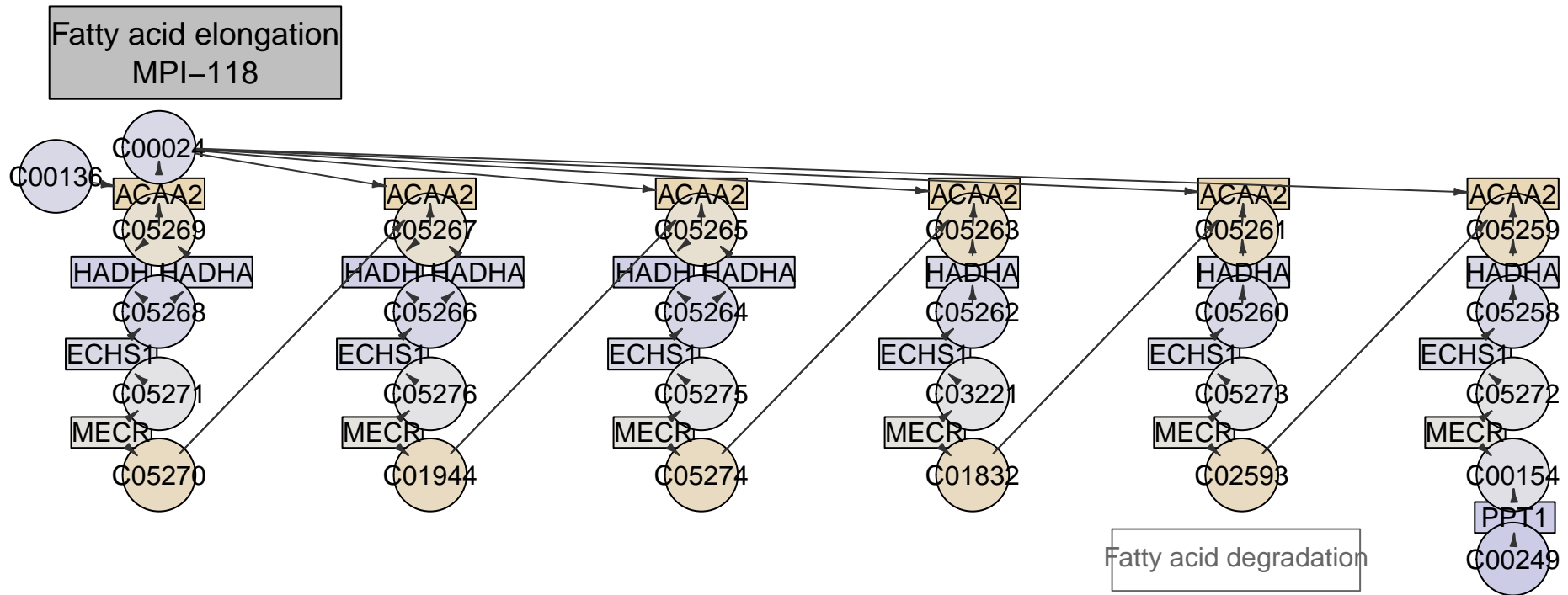


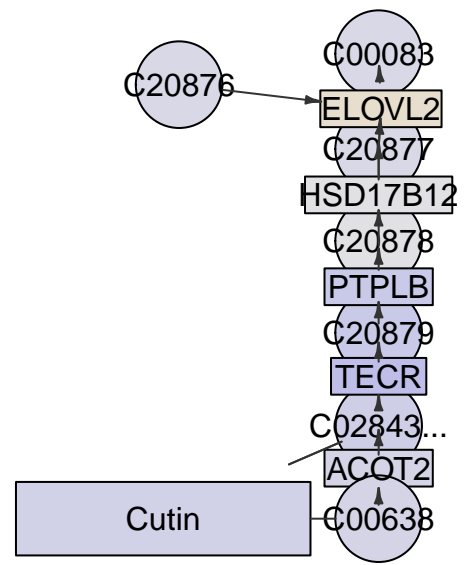
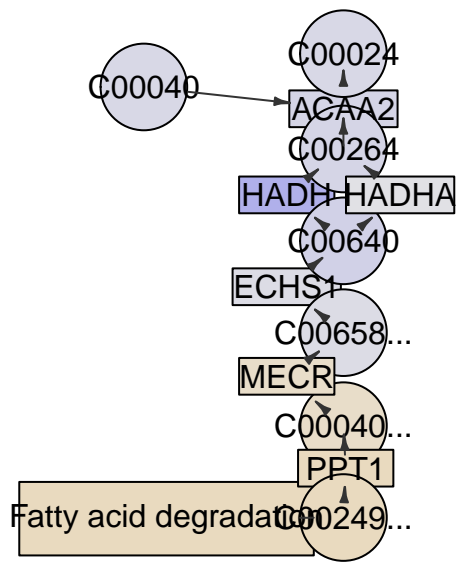
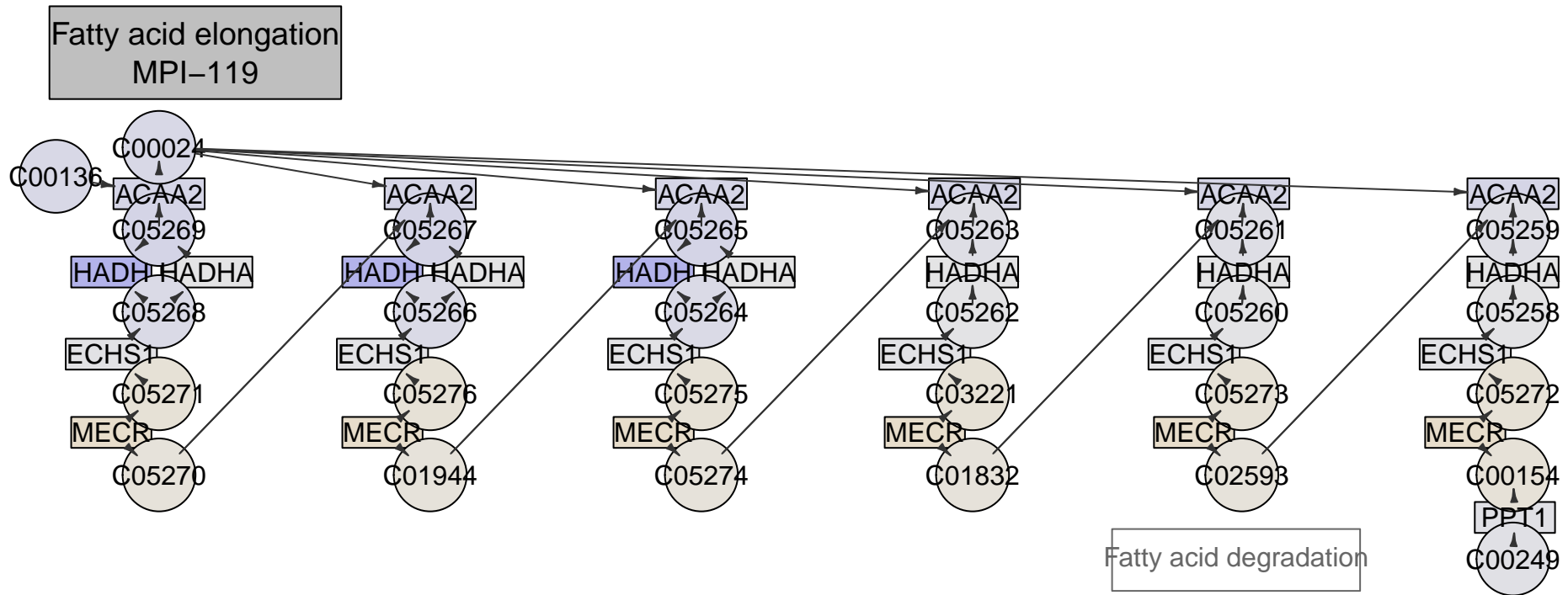




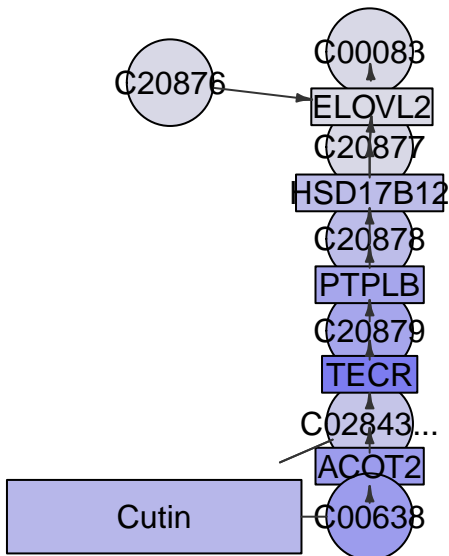
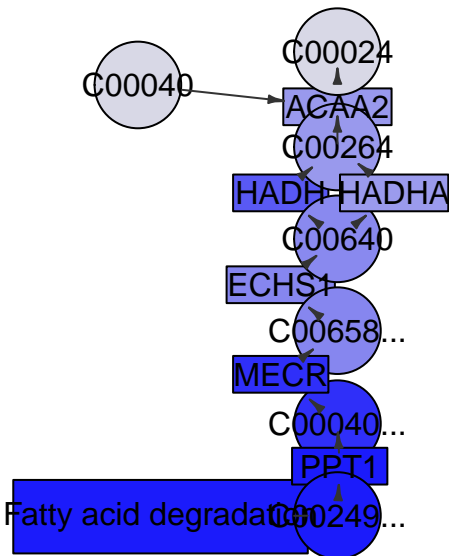
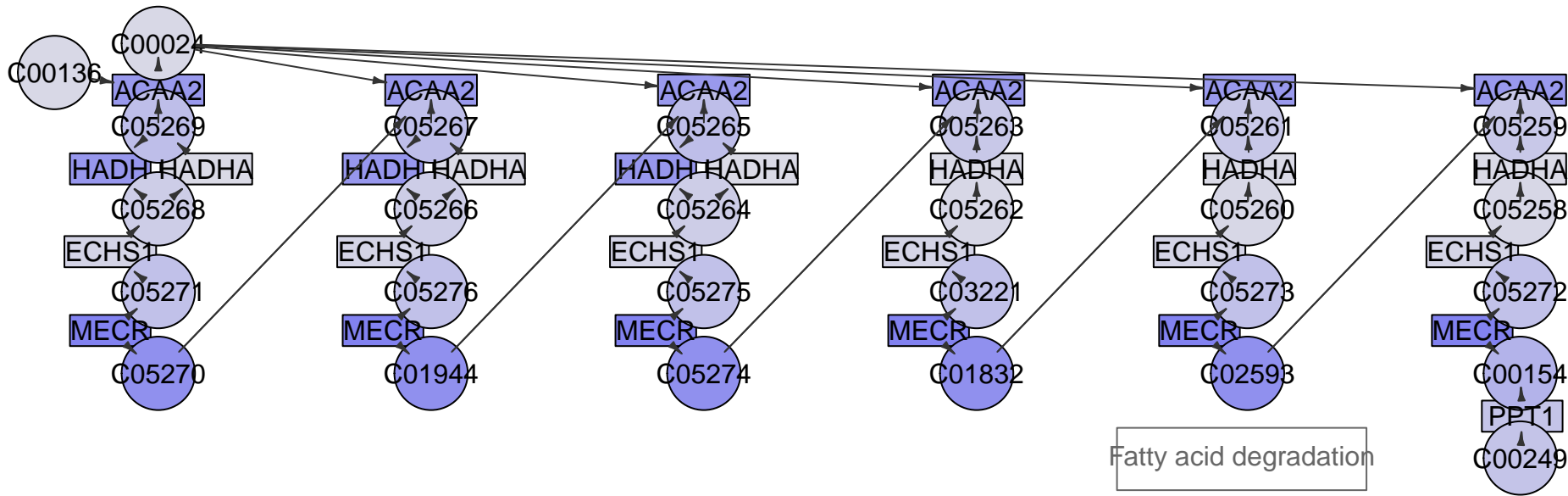


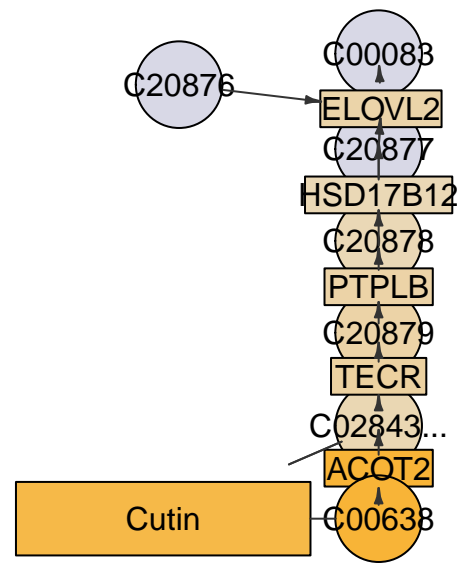
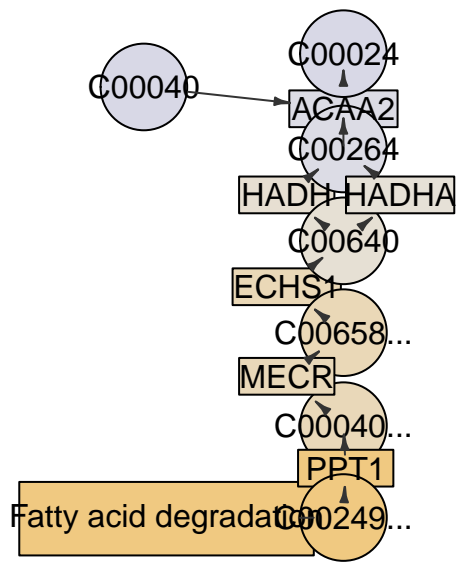
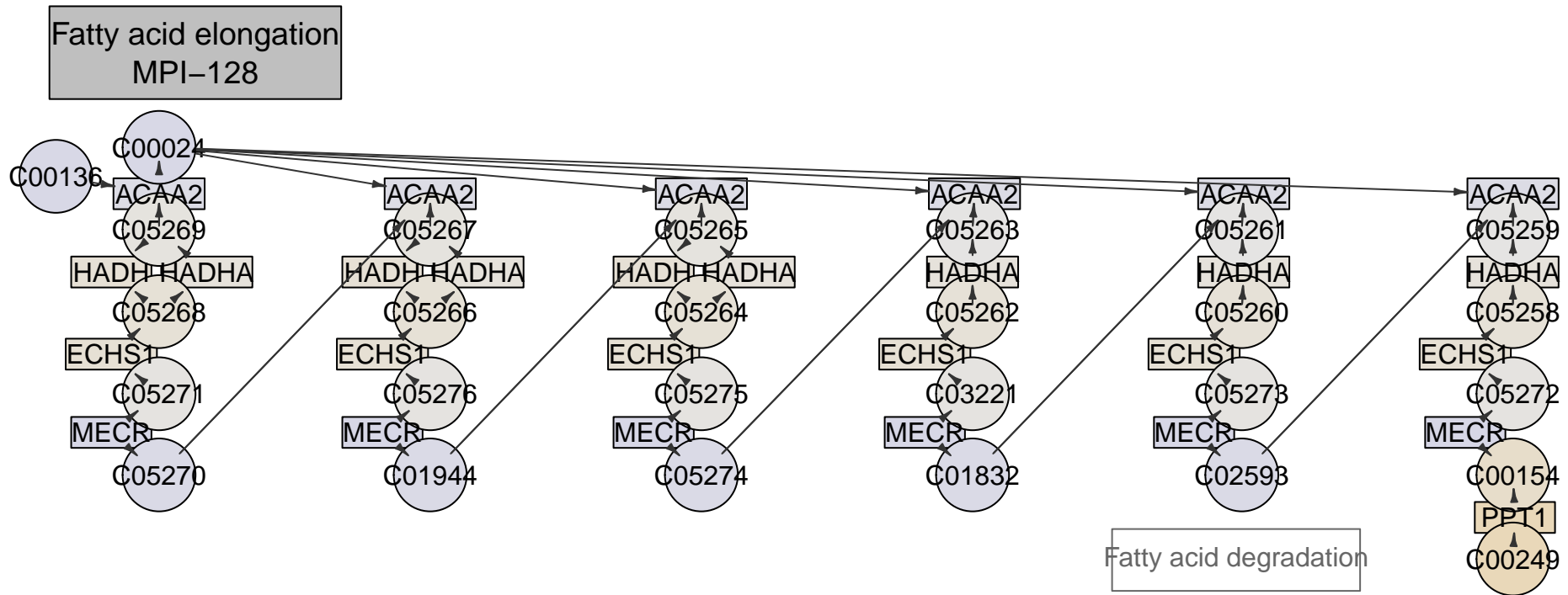


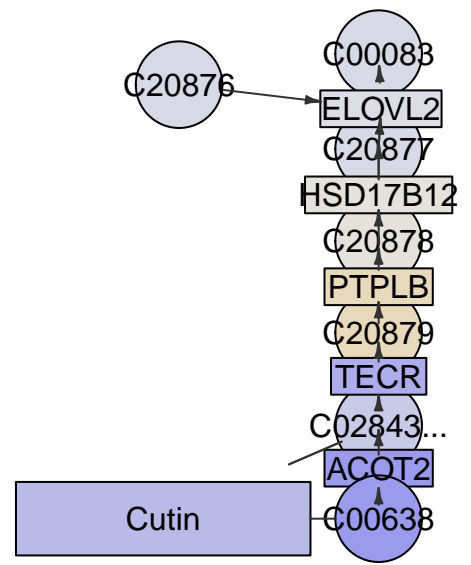
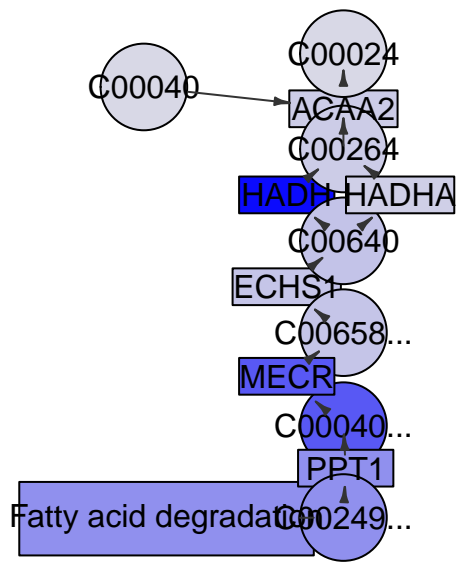
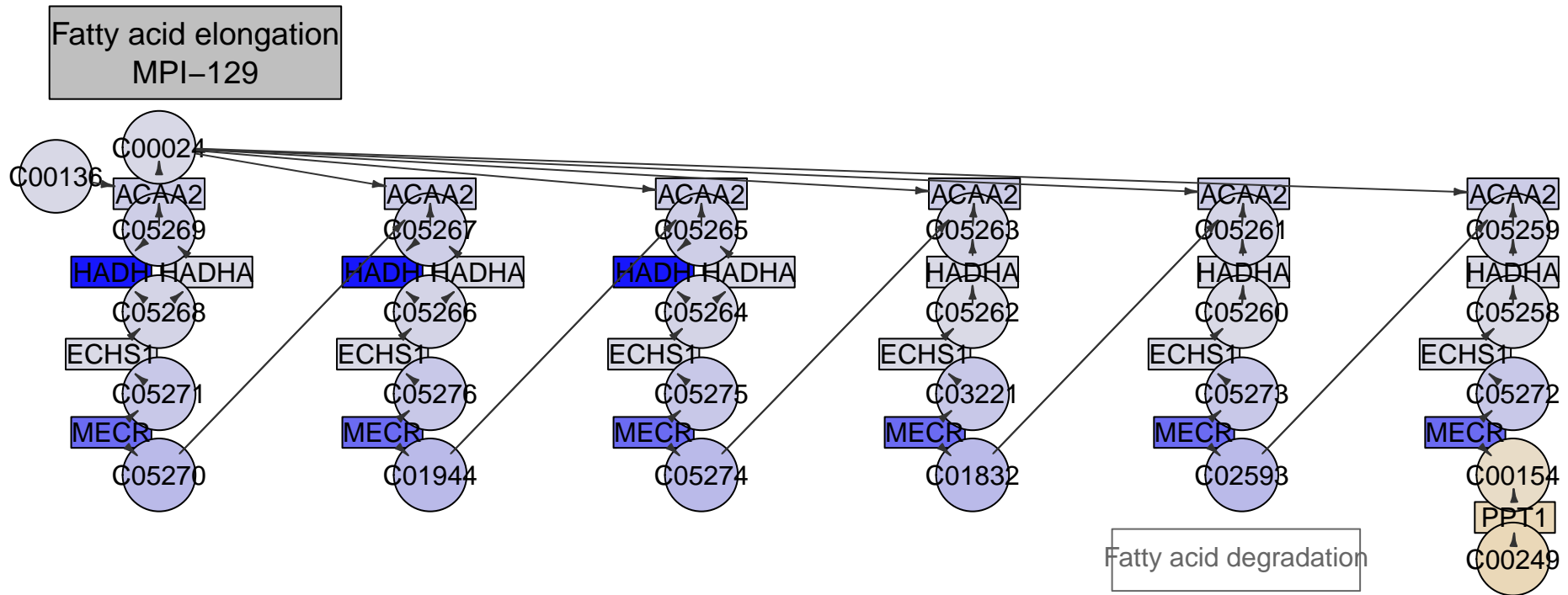


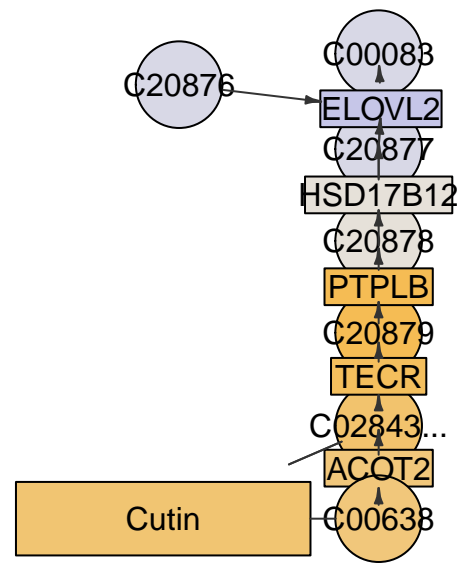
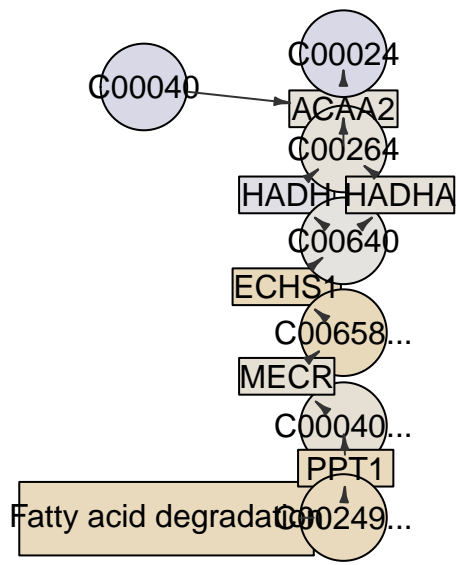
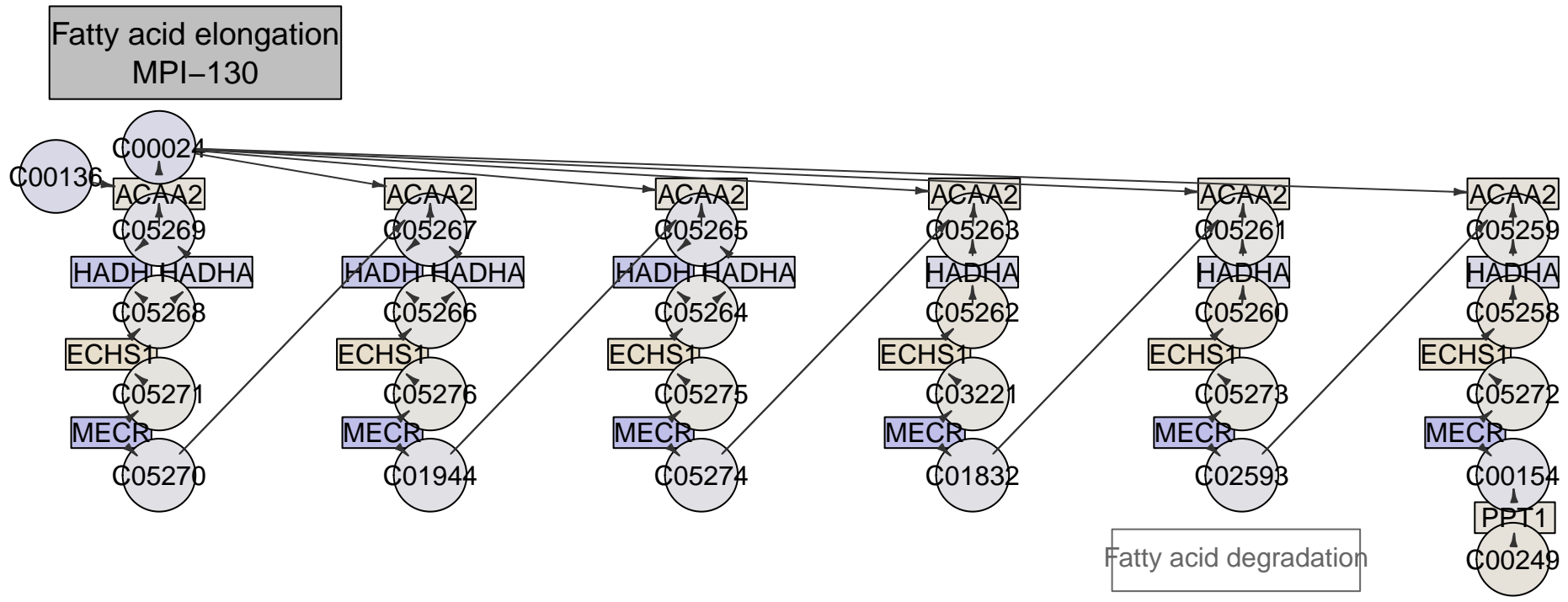


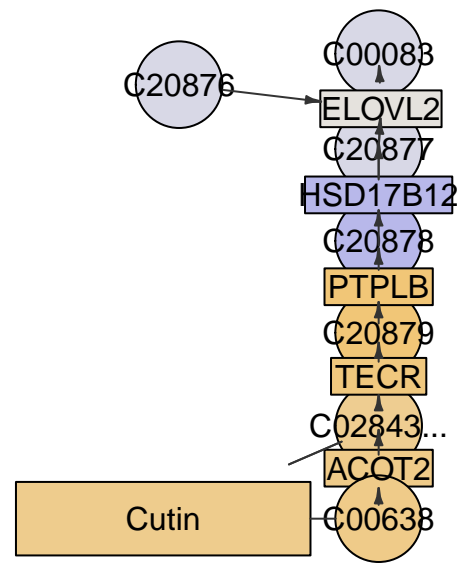
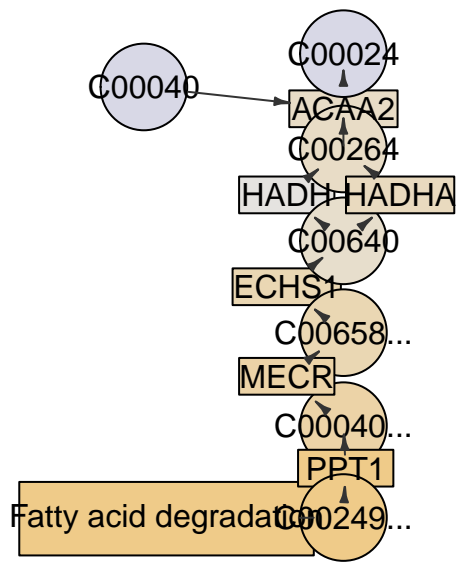
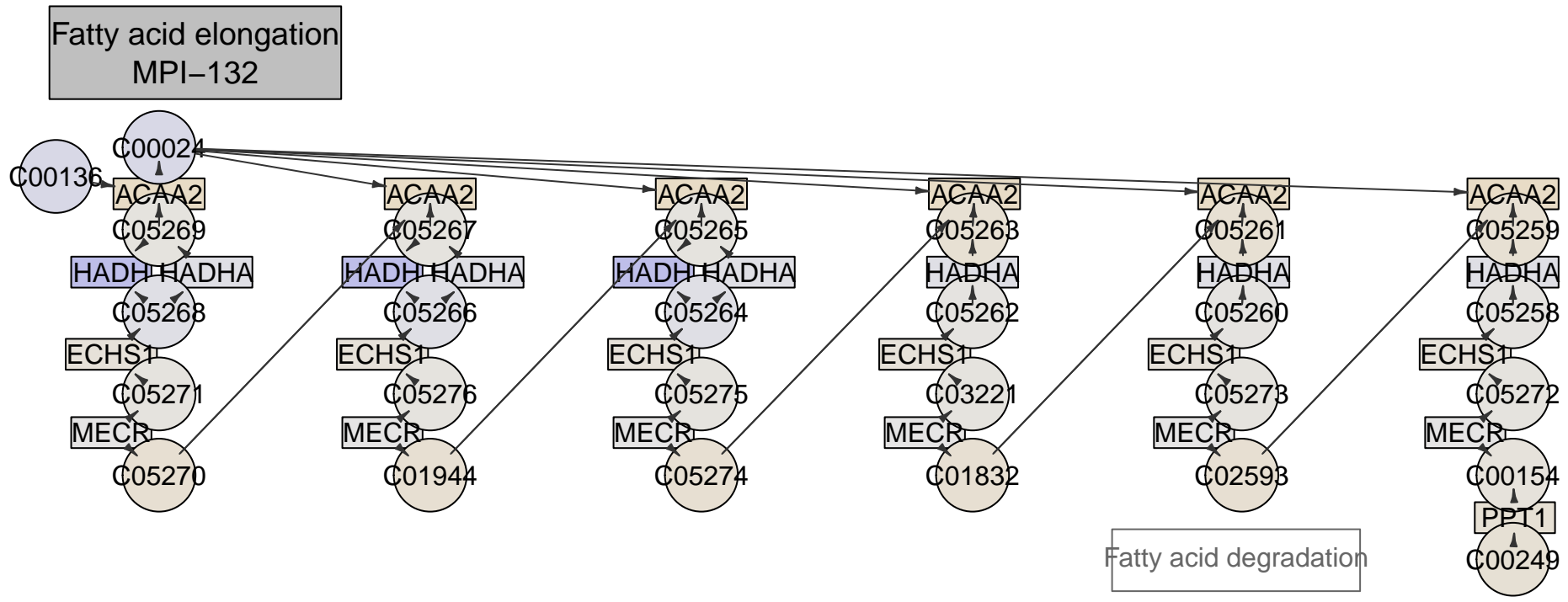
Fatty acid elongation
MPI-122

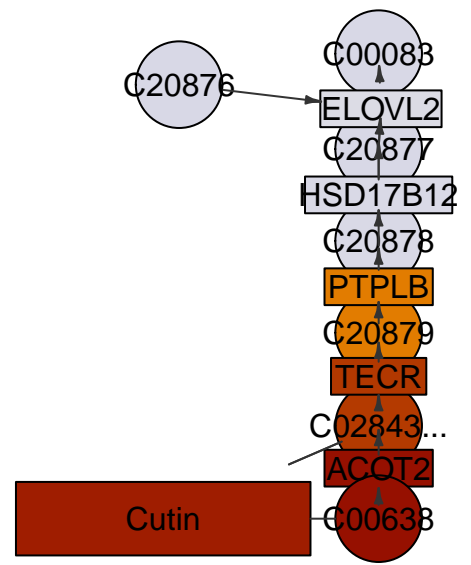
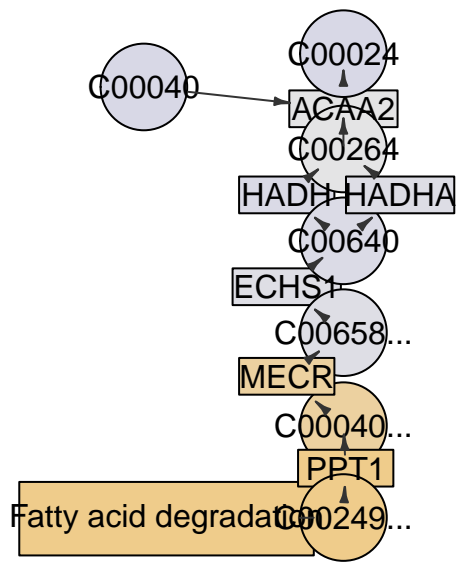
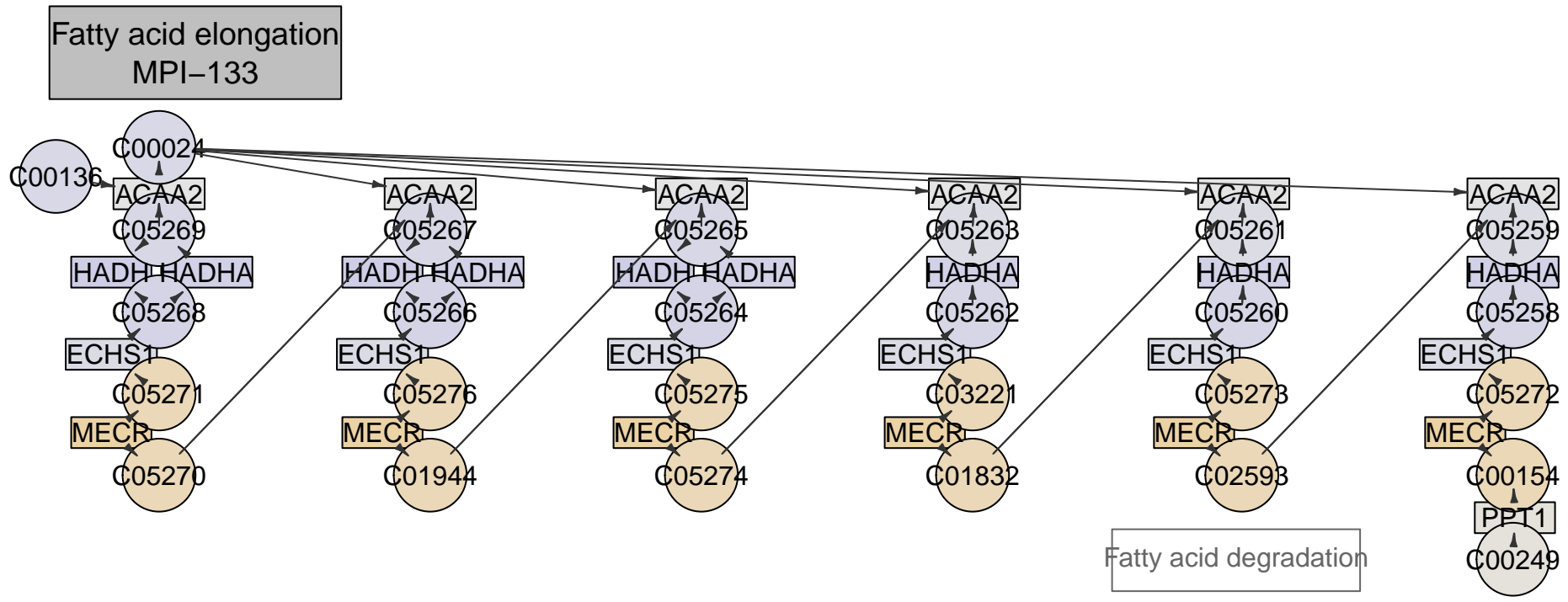


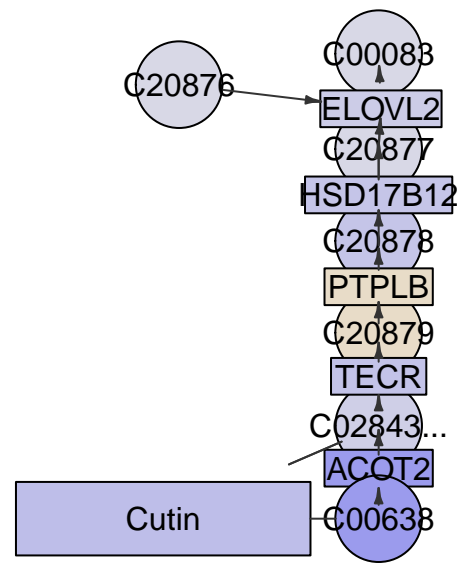
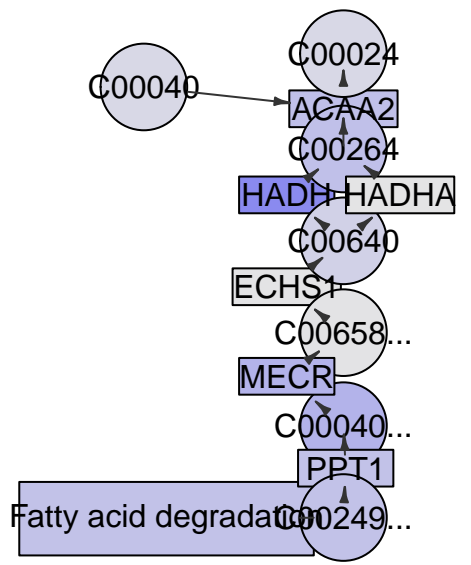
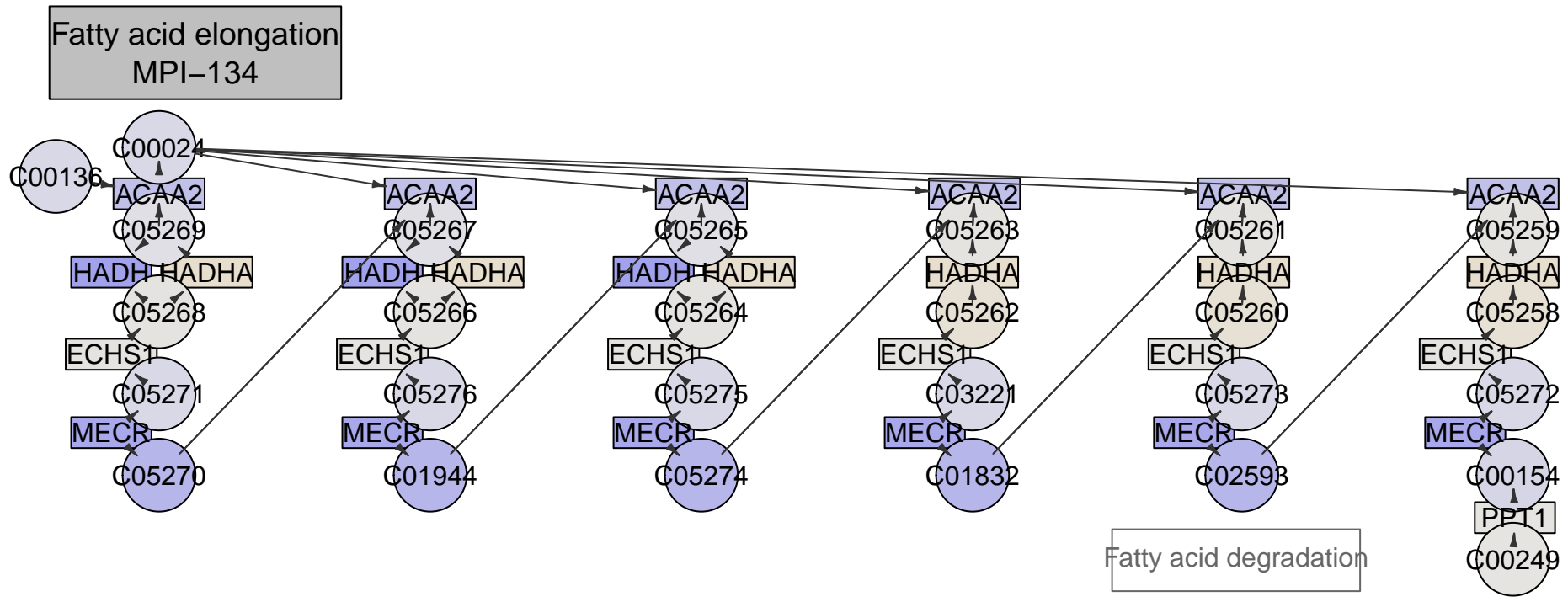


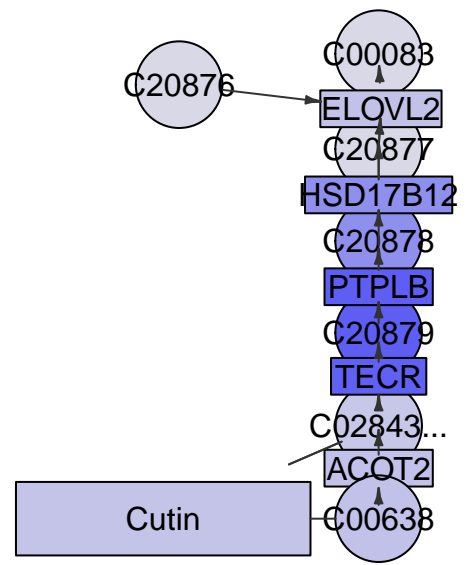
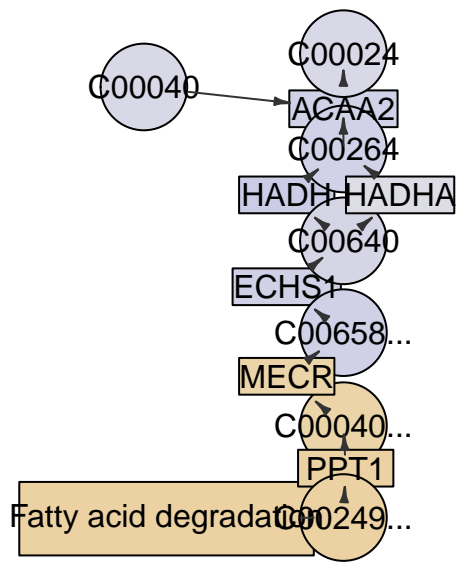
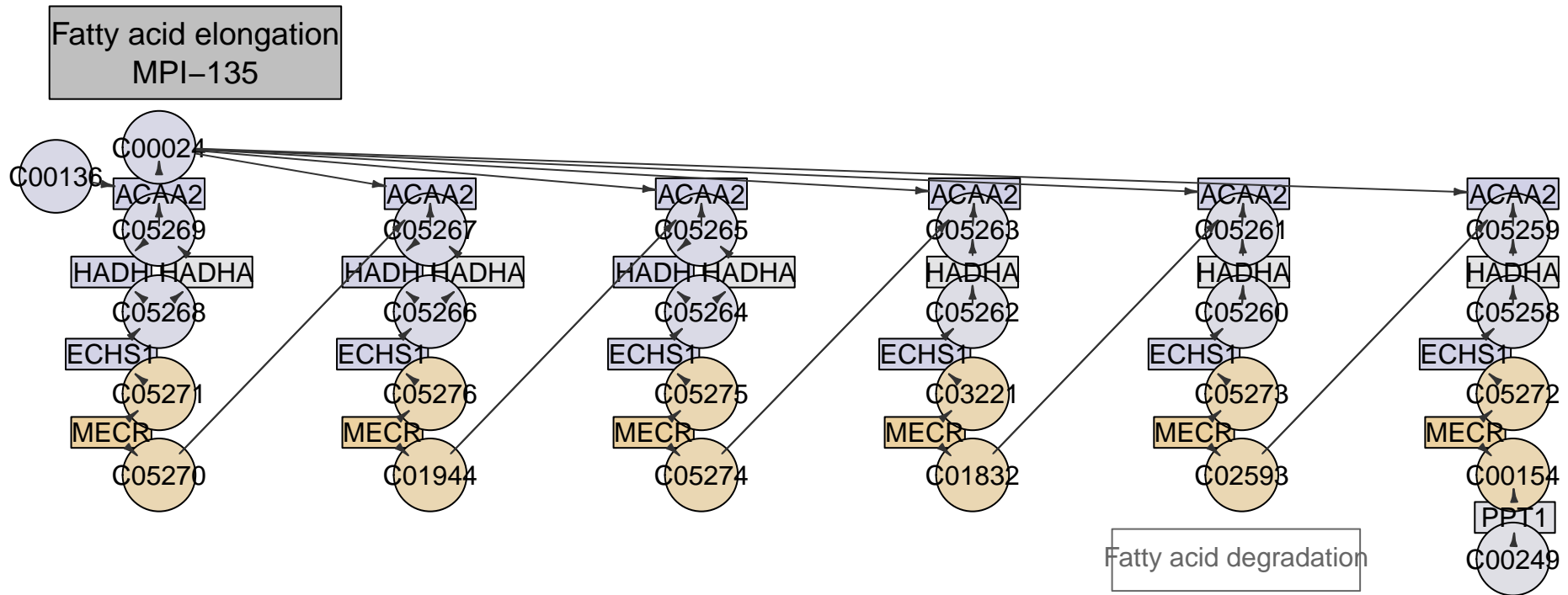


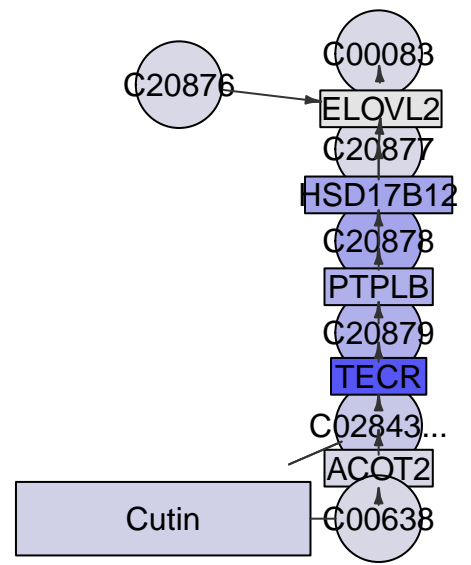
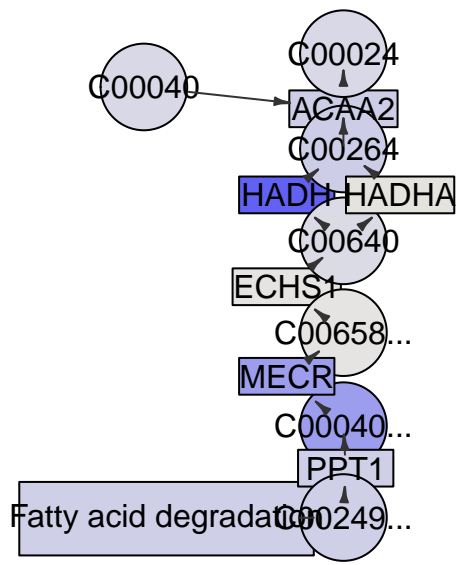
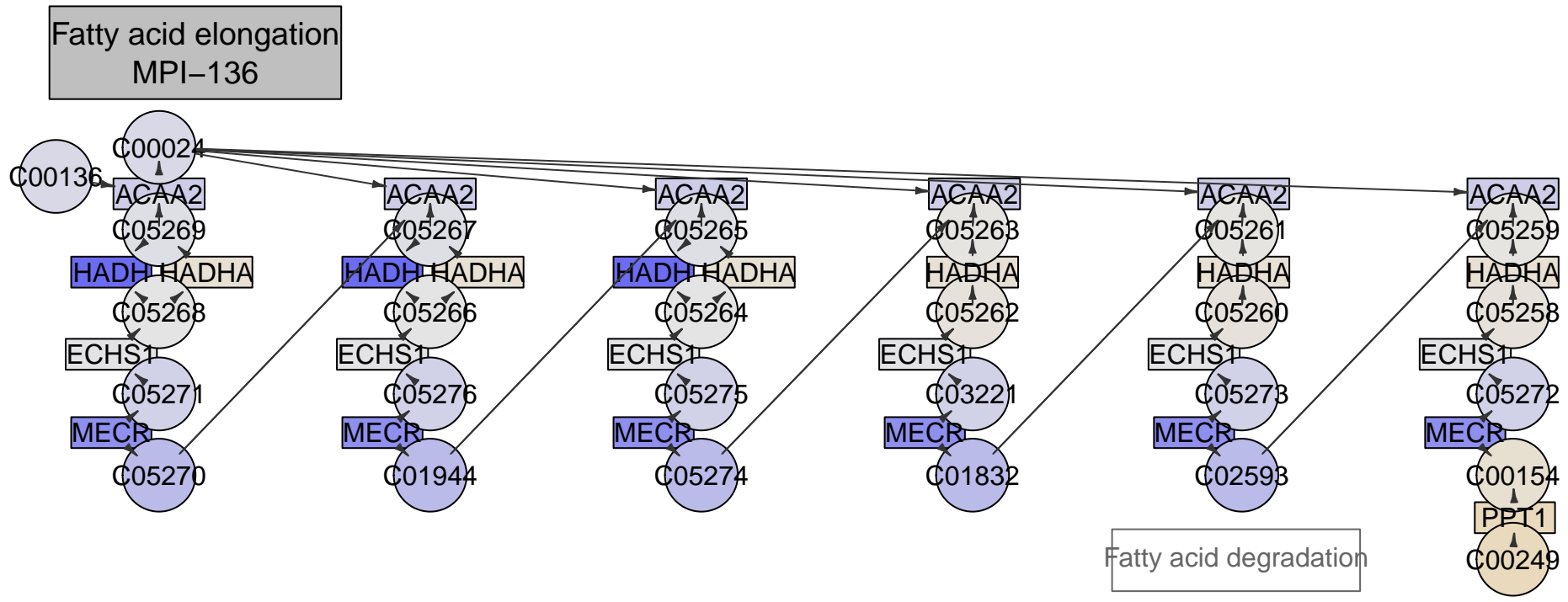


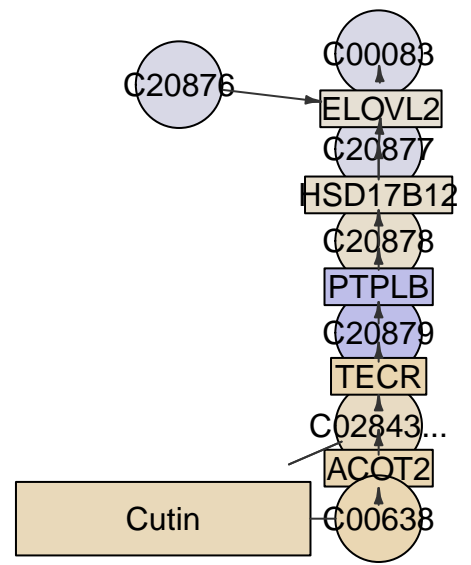
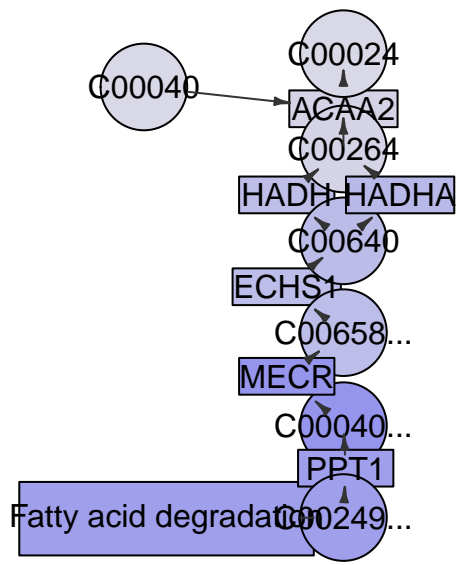
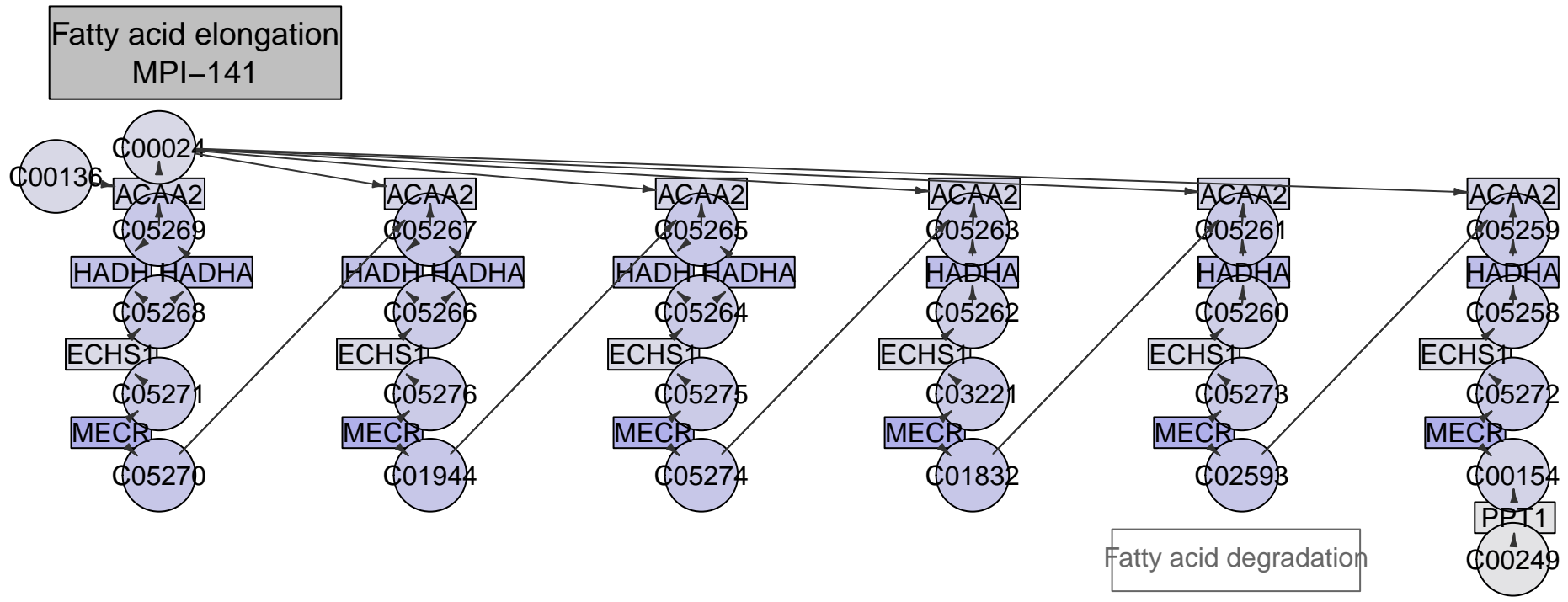




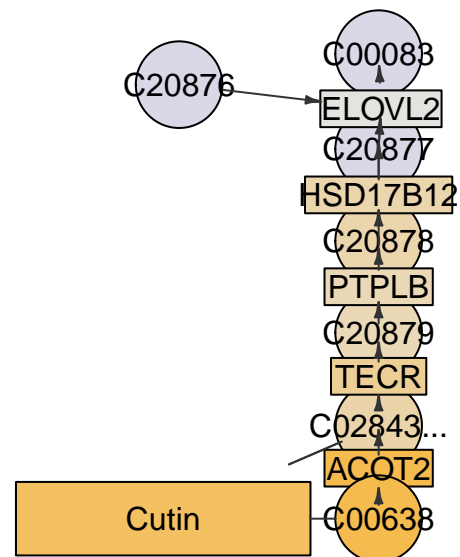
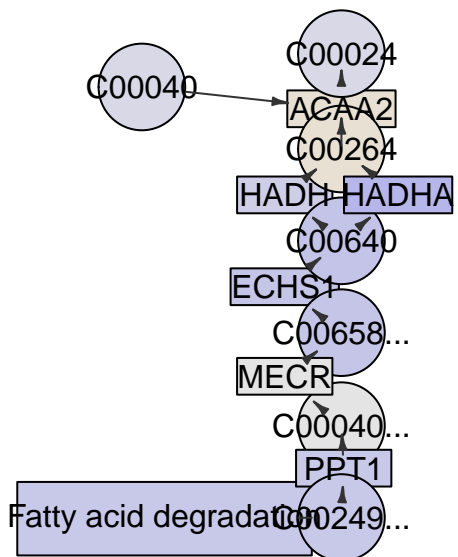
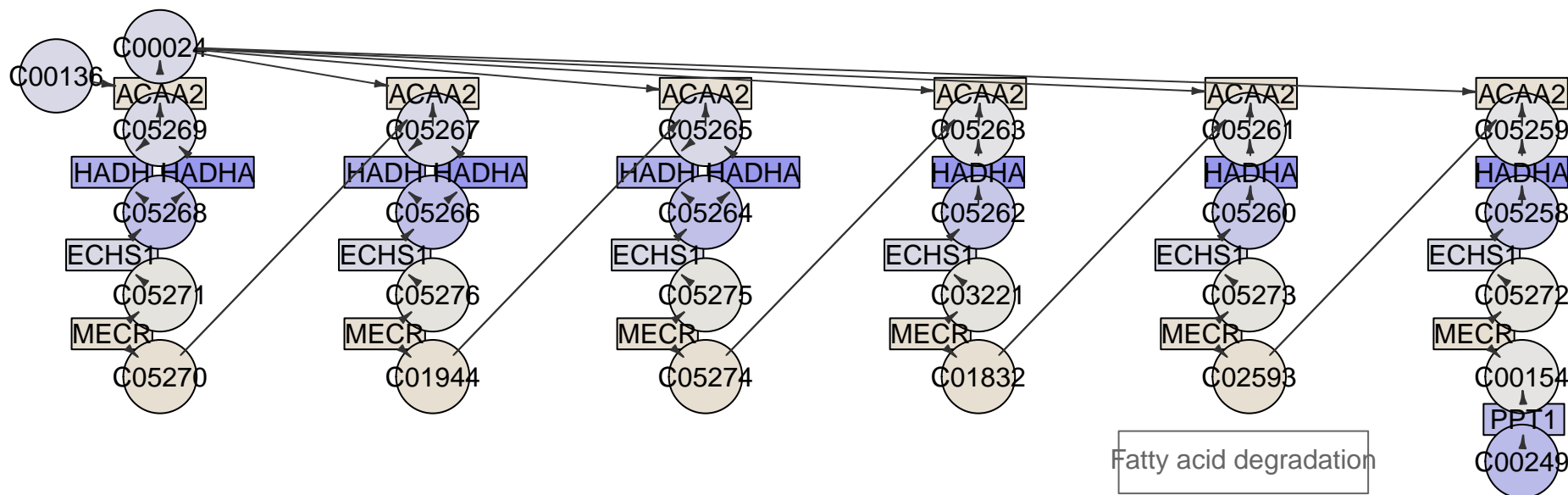


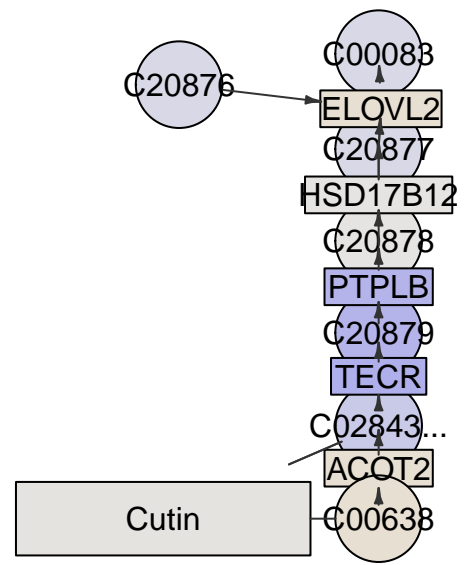
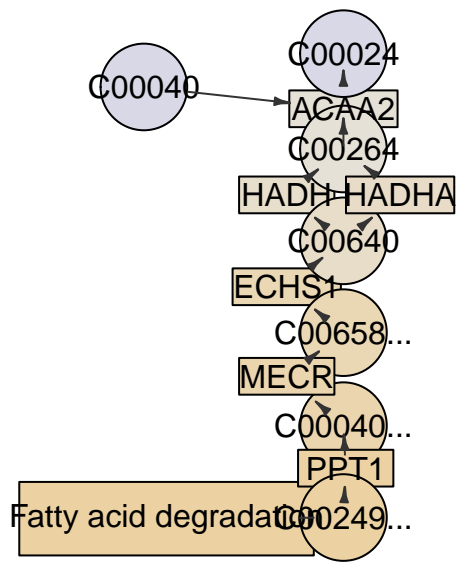
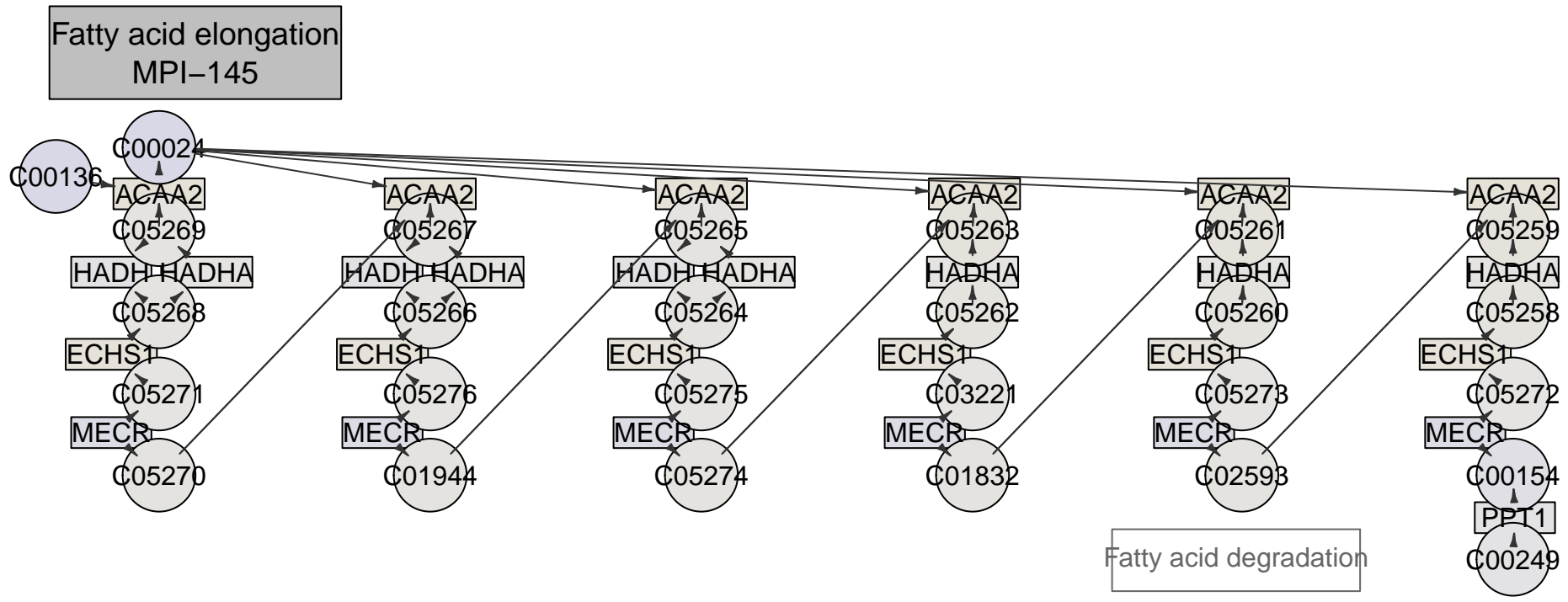


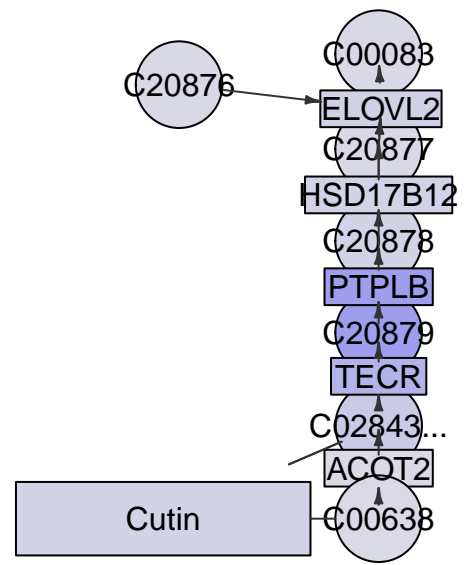
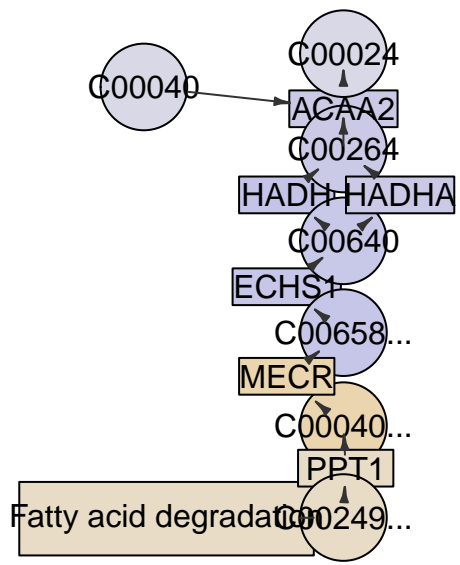
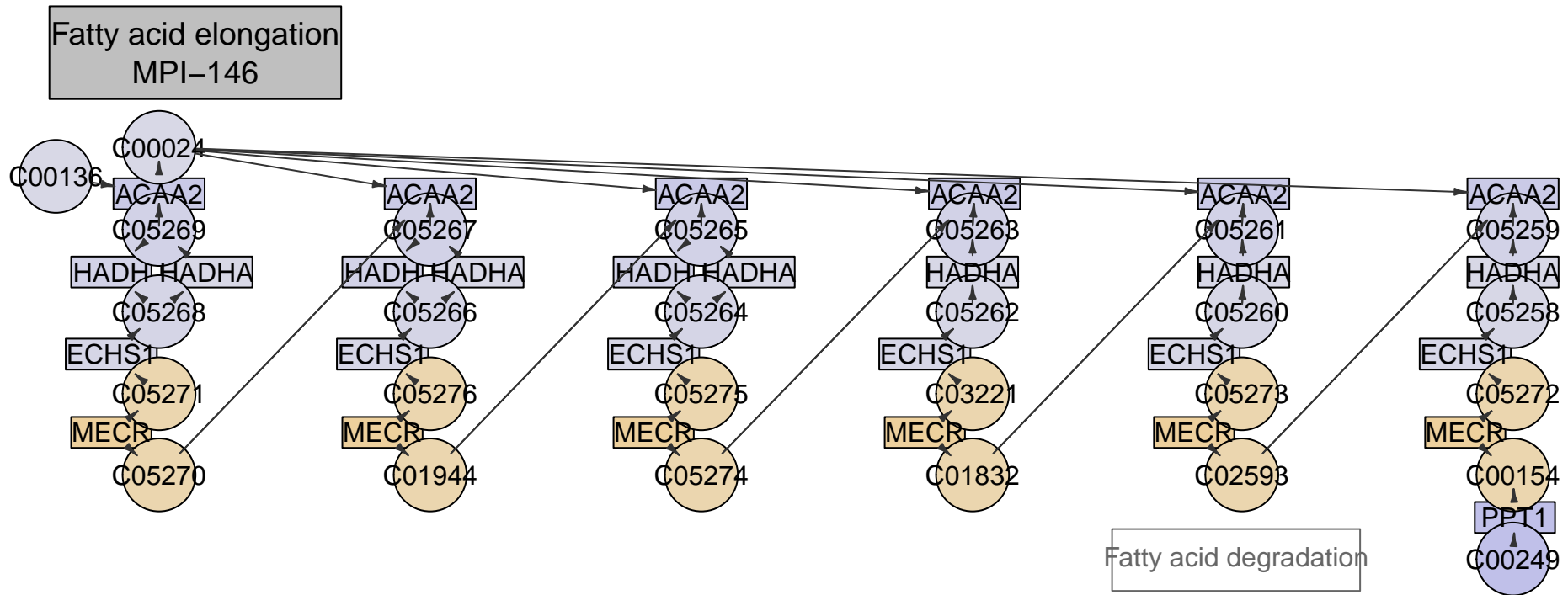


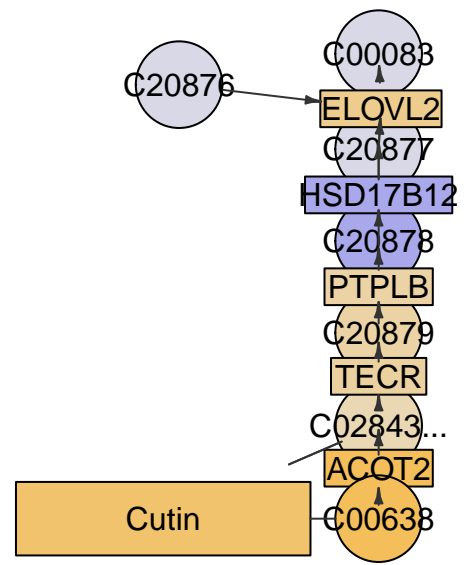
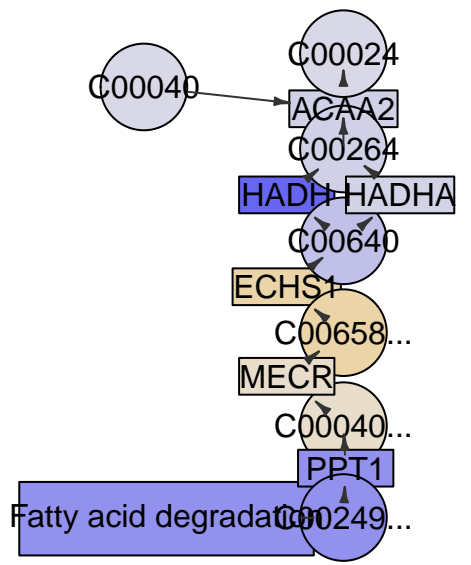
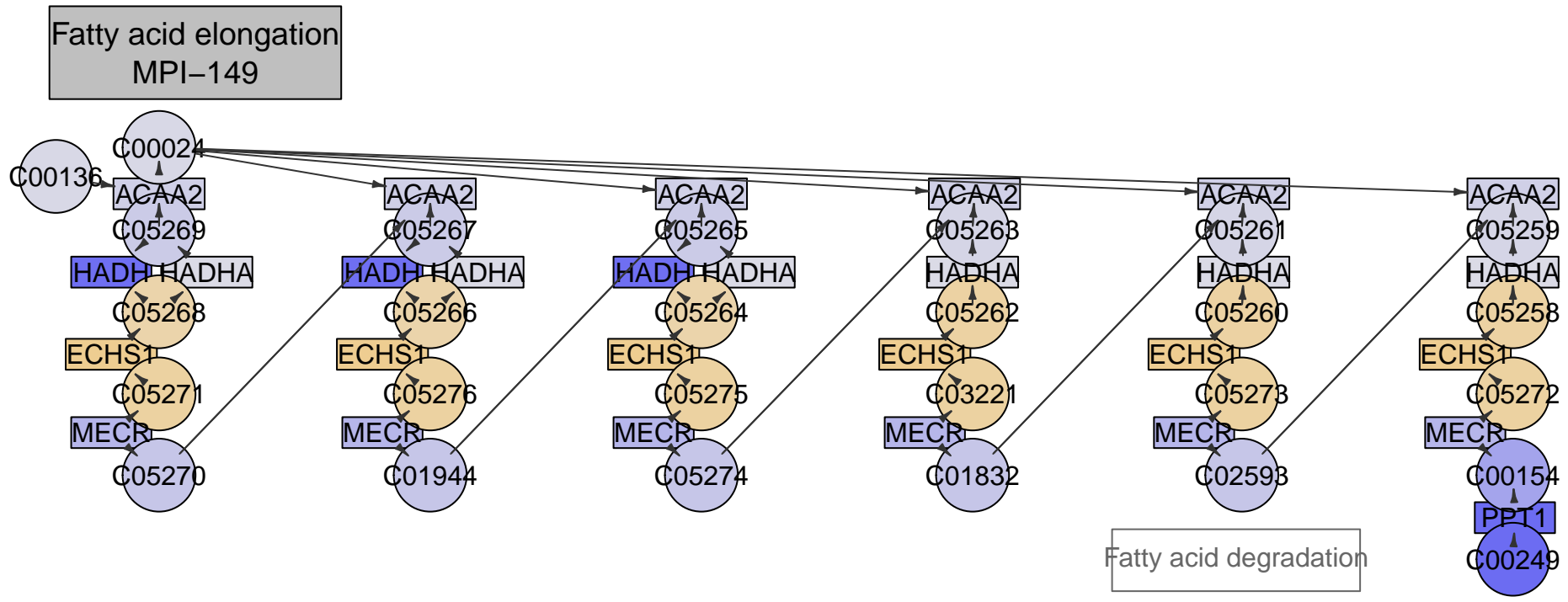


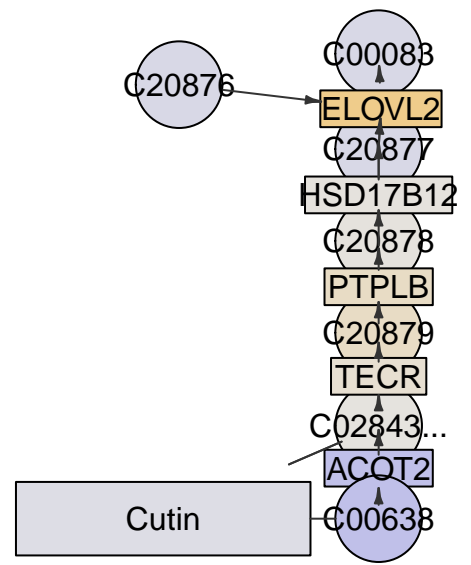
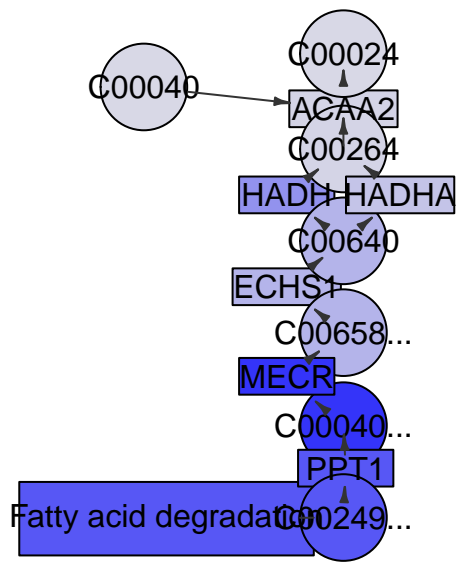
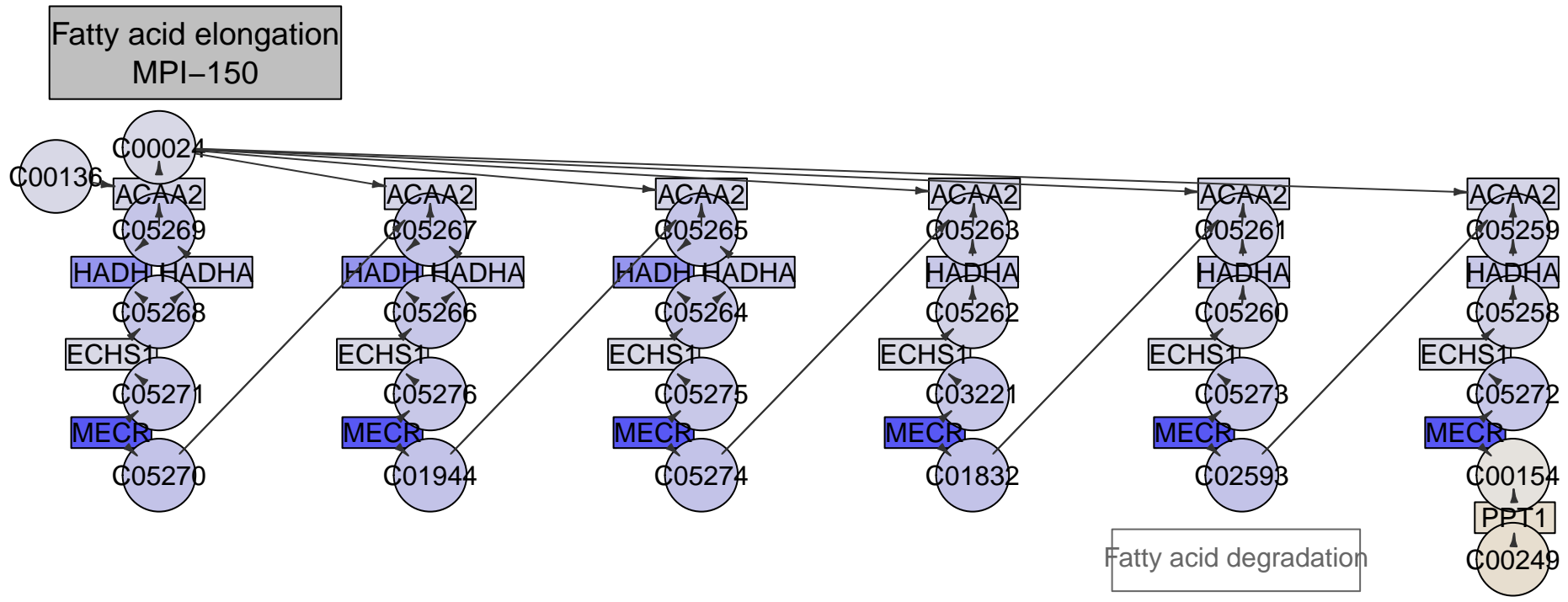
Fatty acid elongation
MPI-142

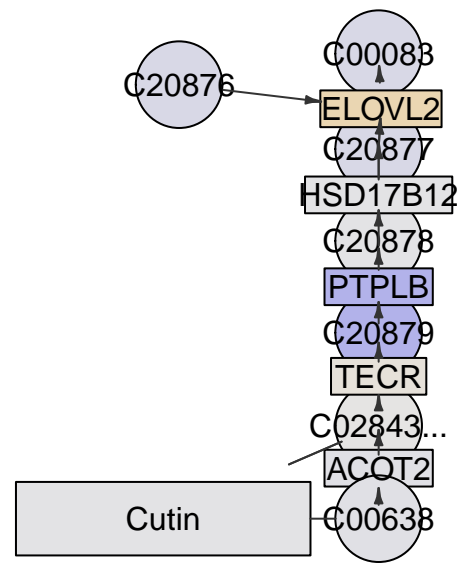
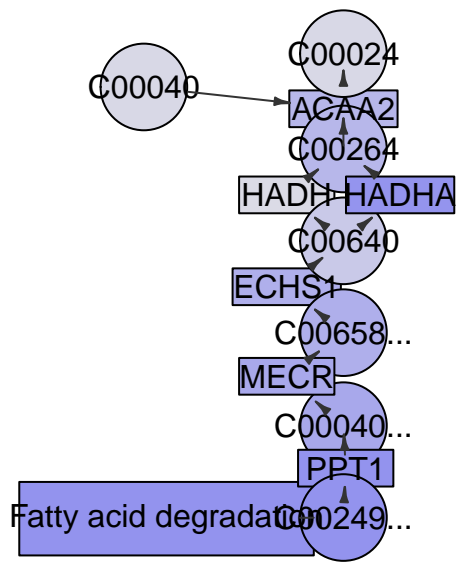
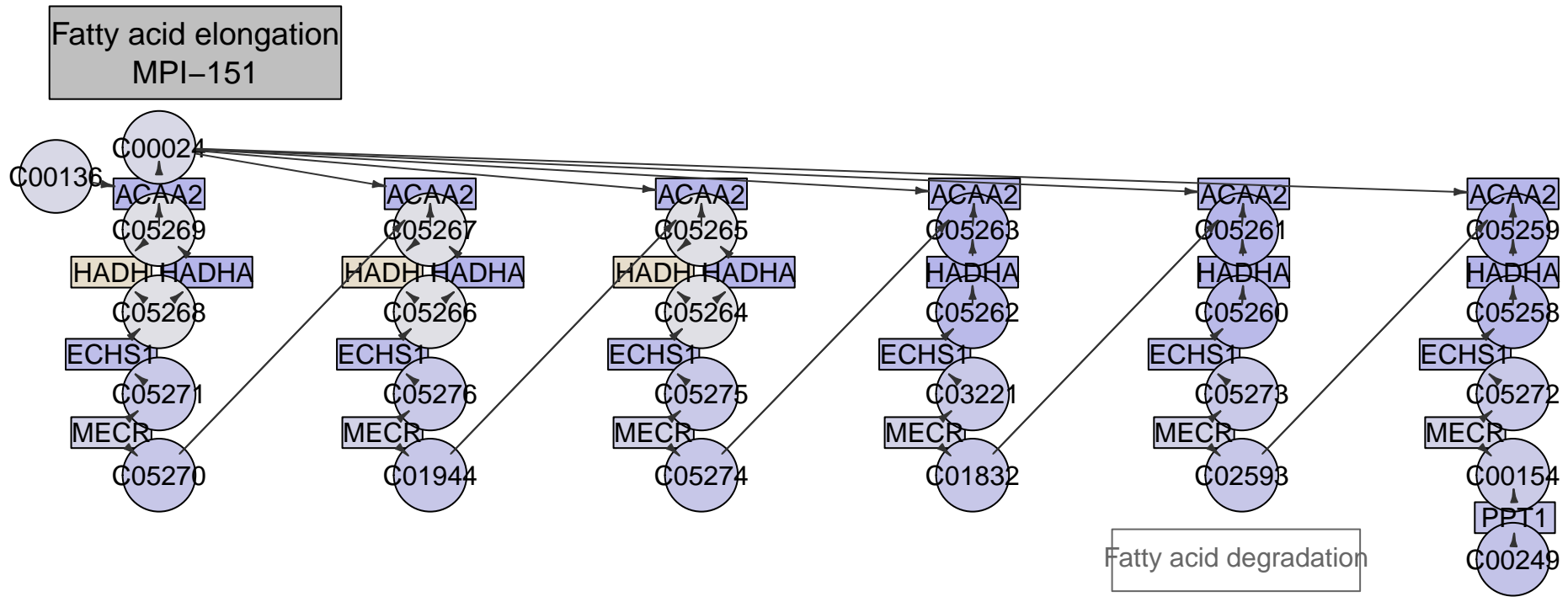




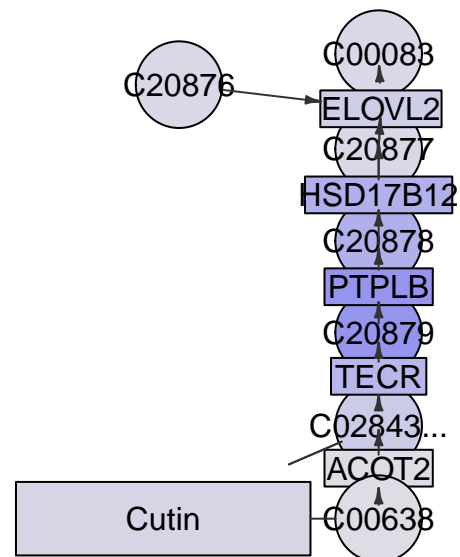
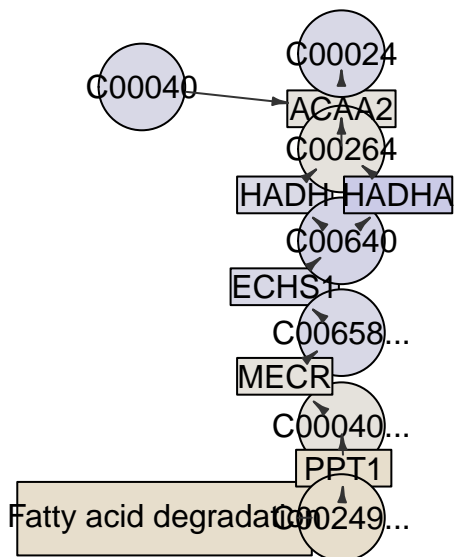
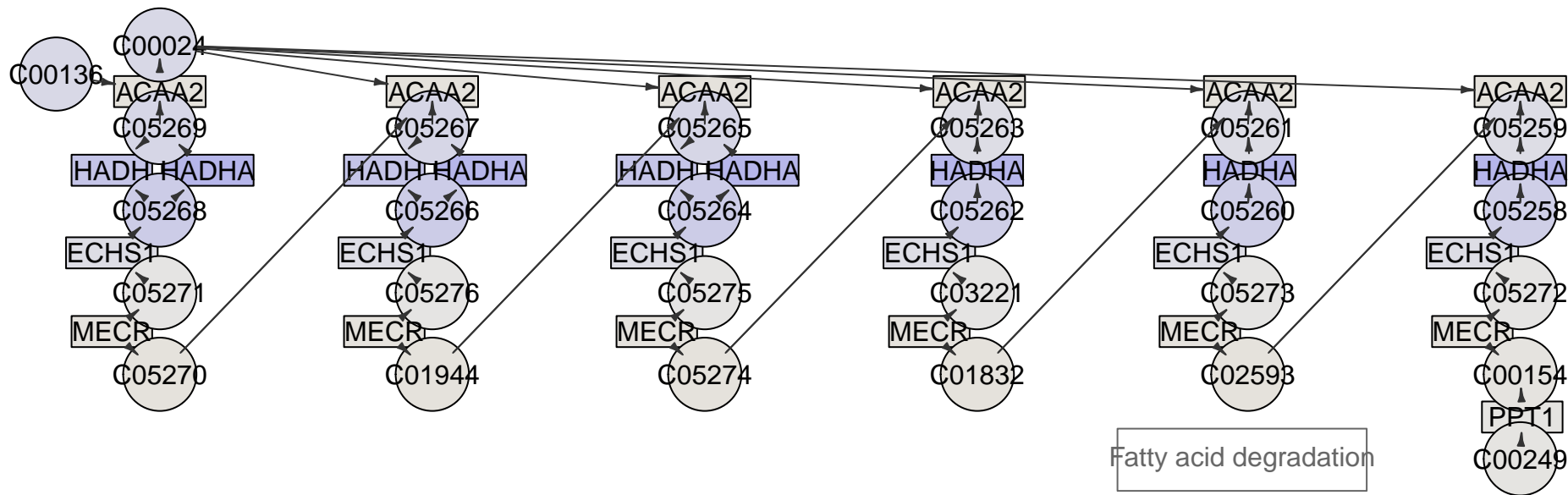




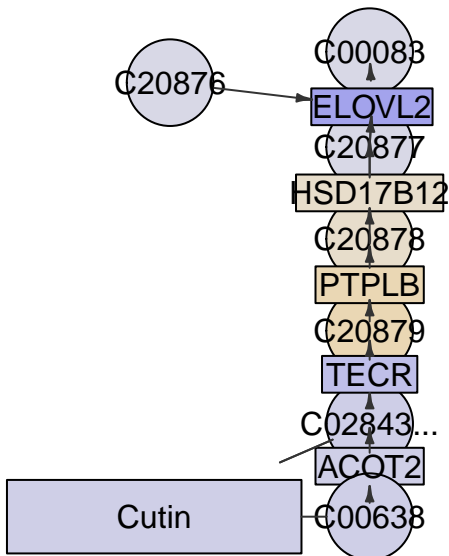
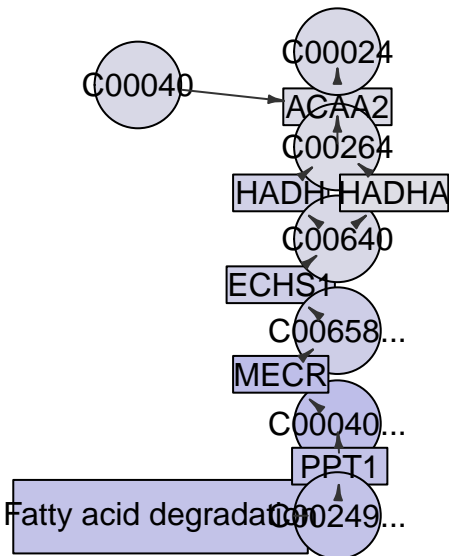
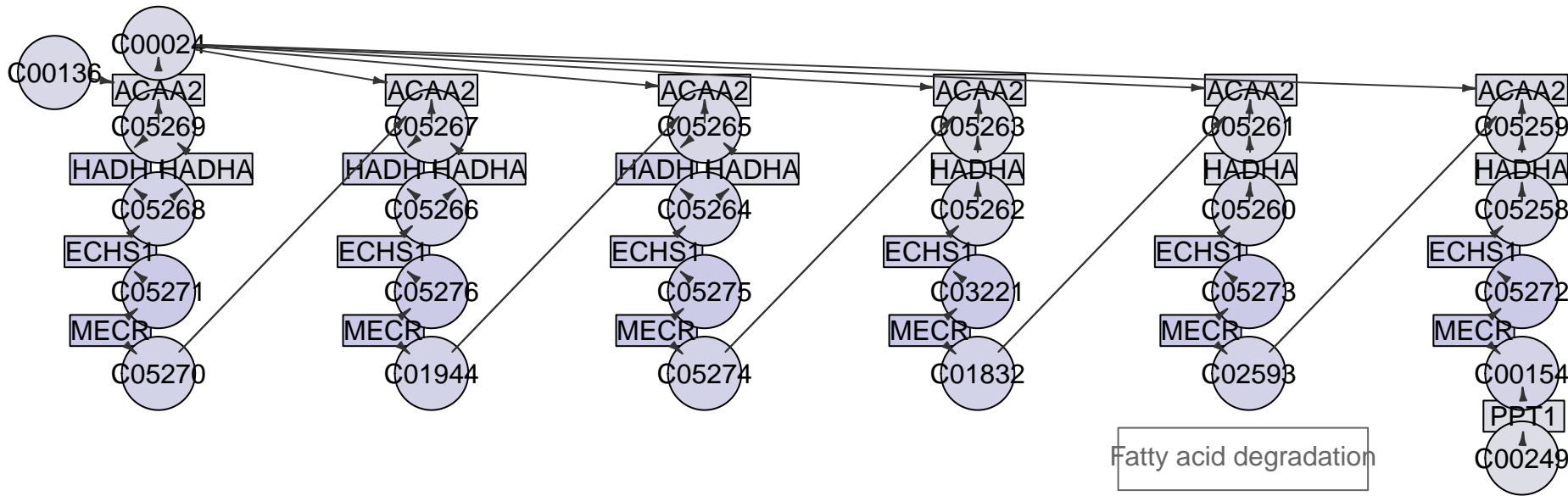




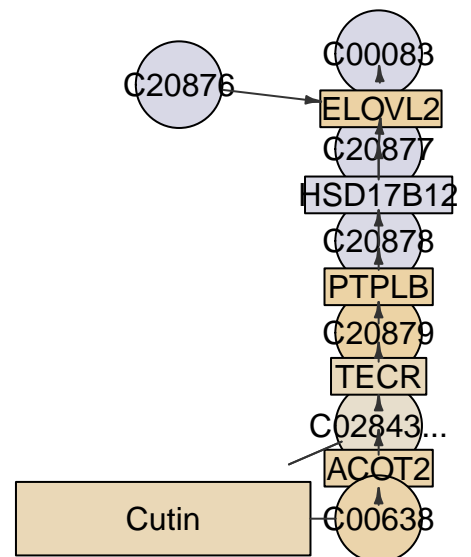
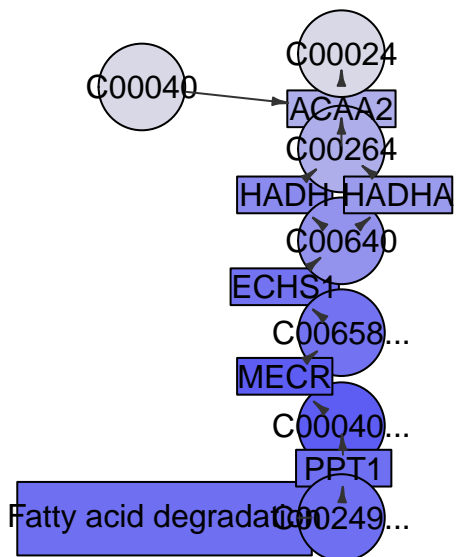
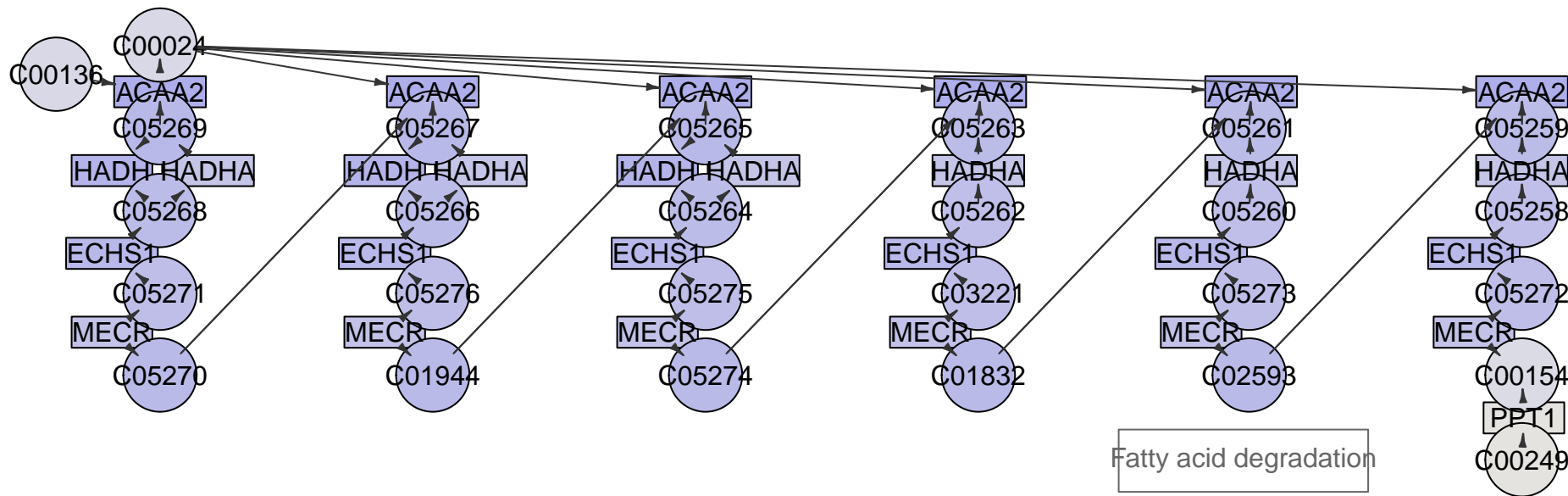
Fatty acid elongation
MPI-152



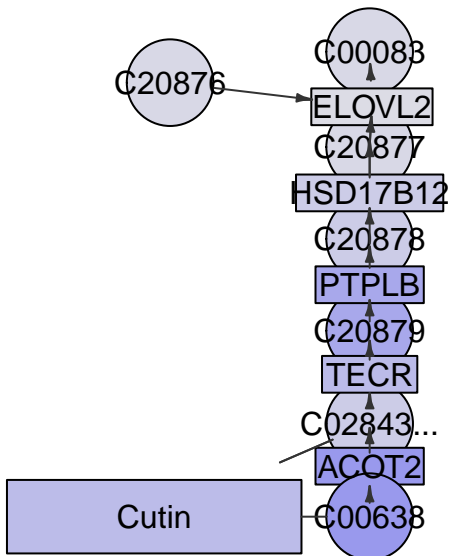
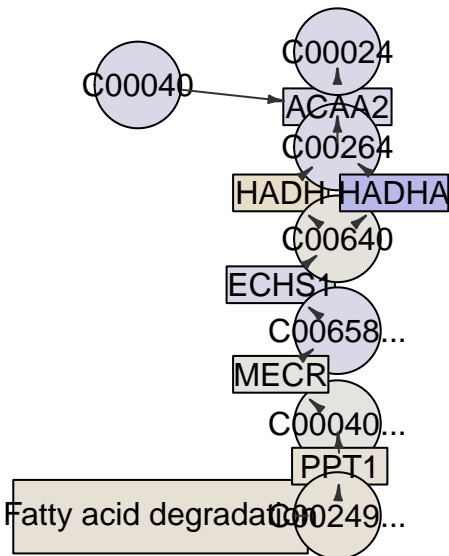
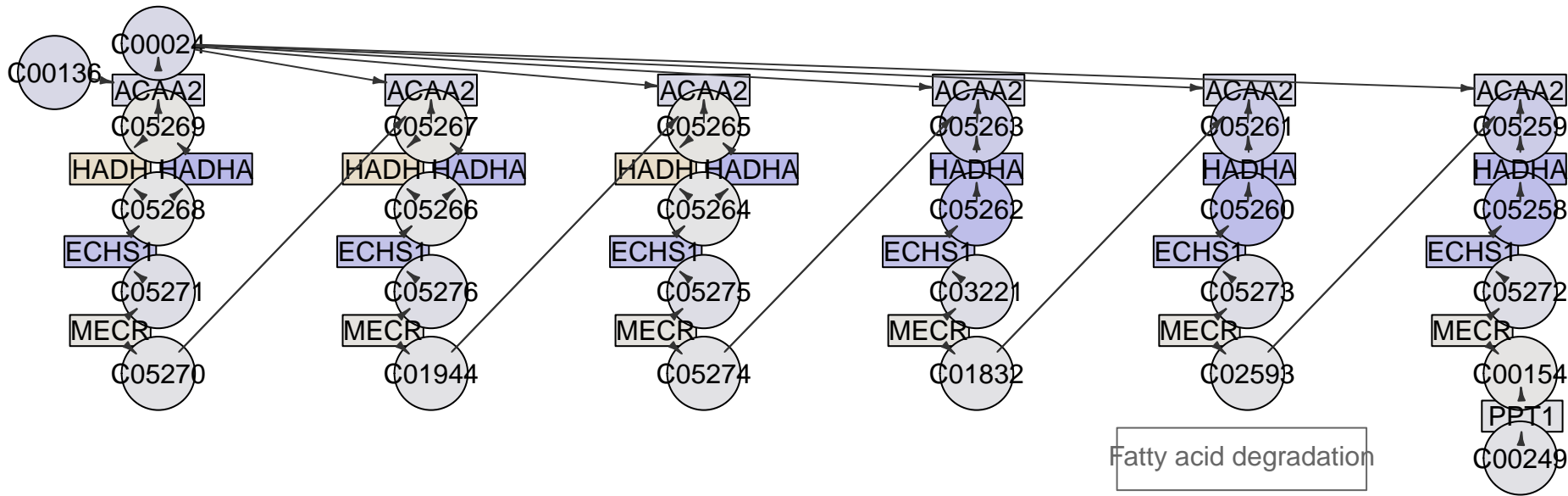
Fatty acid elongation
MPI-153

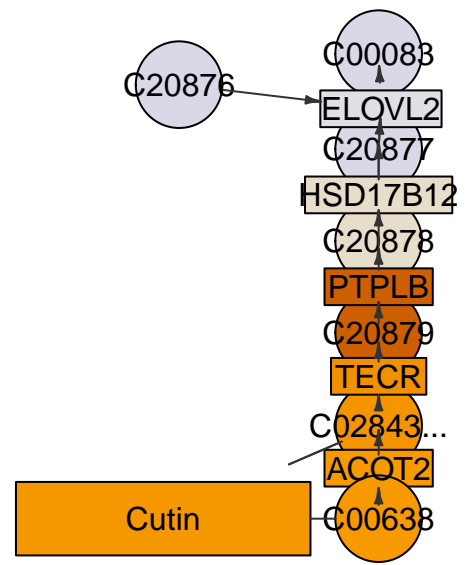
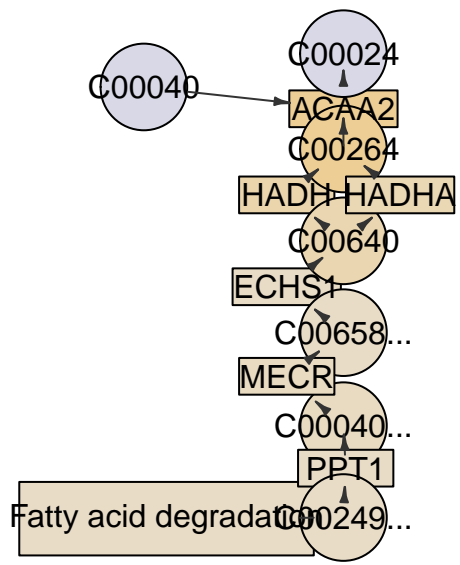
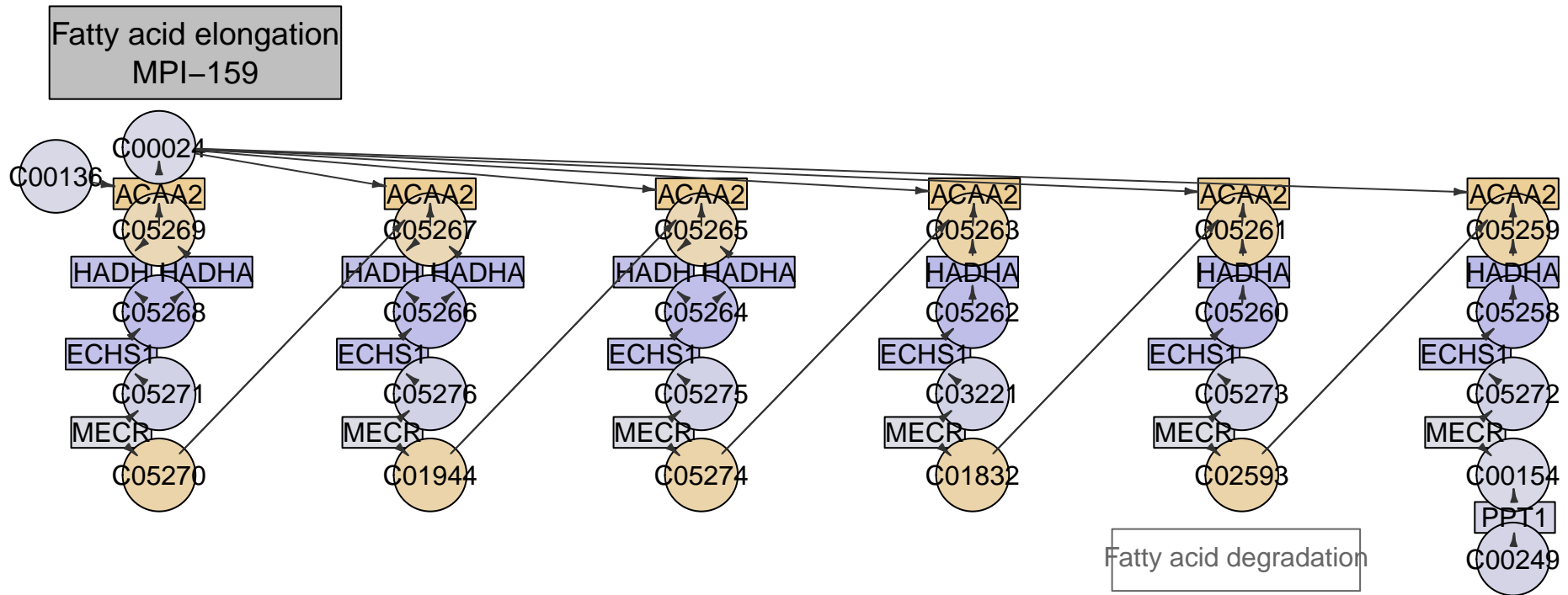


Fatty acid elongation
MPI-154

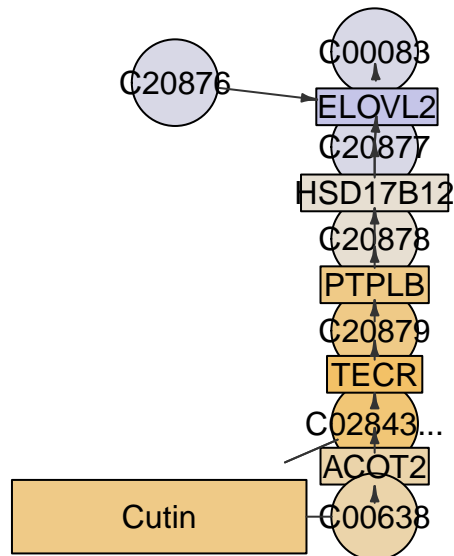
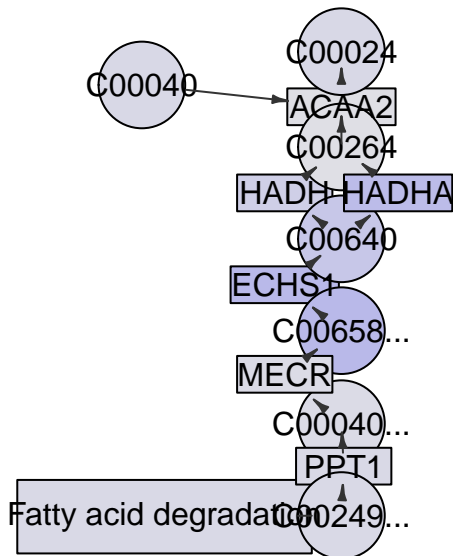
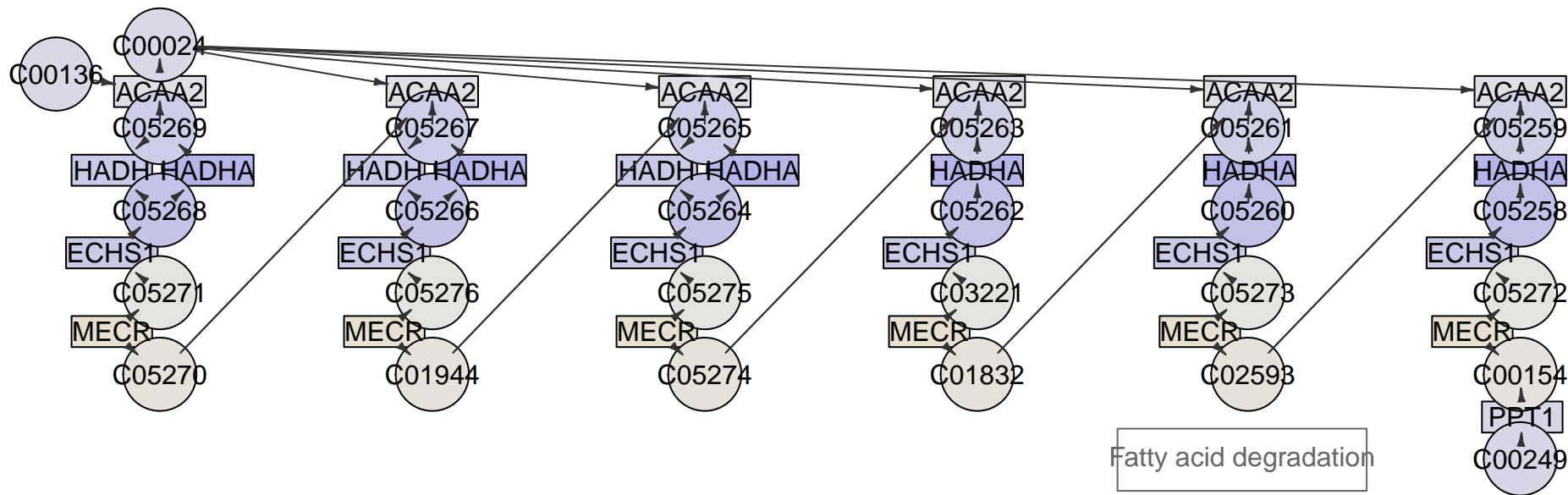


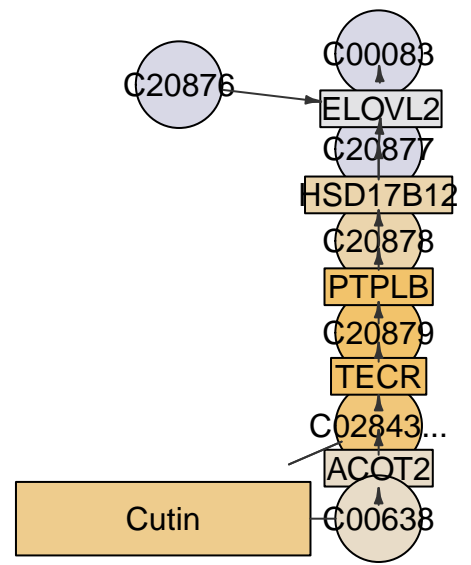
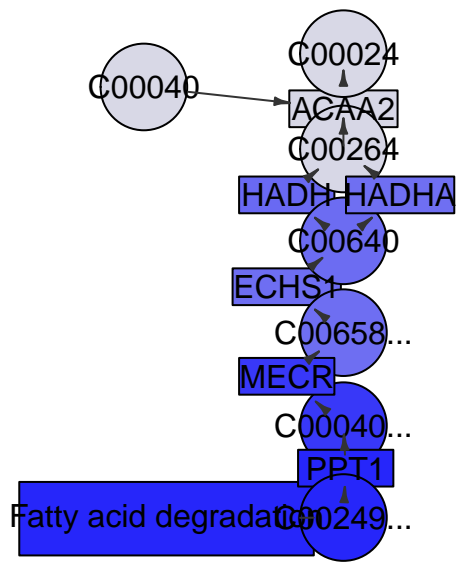
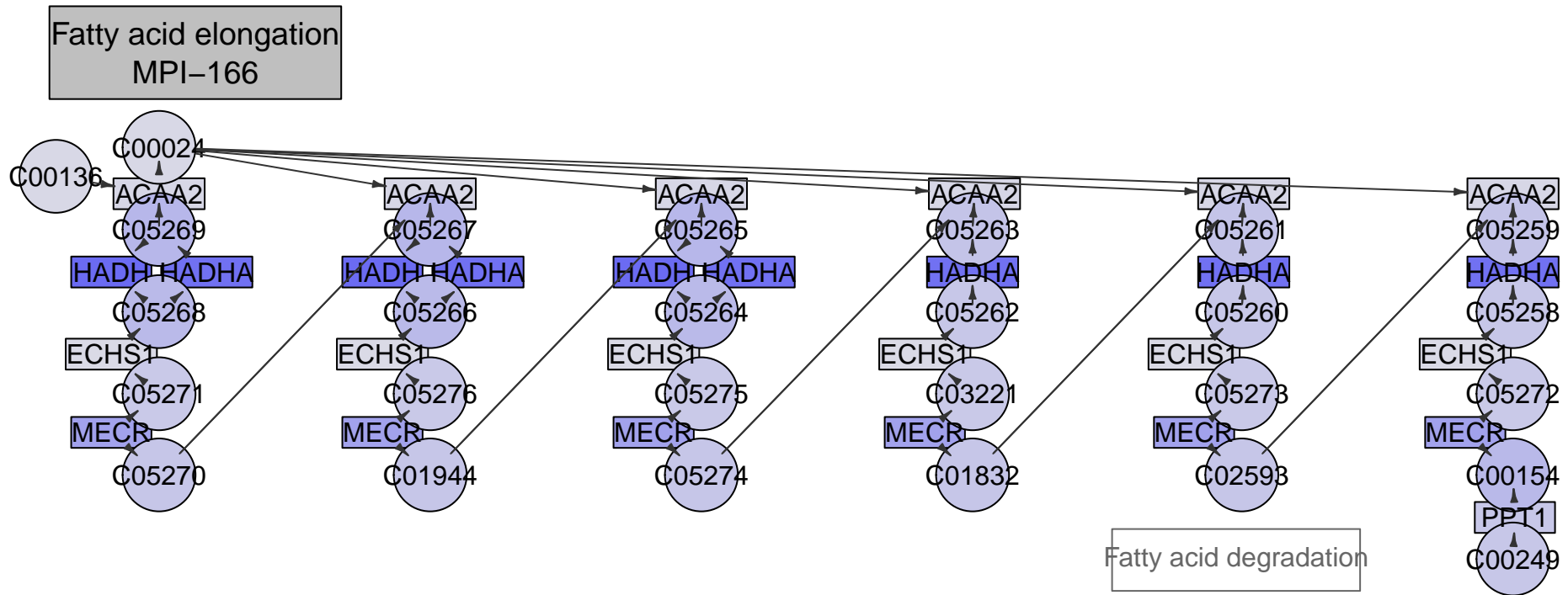
Fatty acid elongation
MPI-155

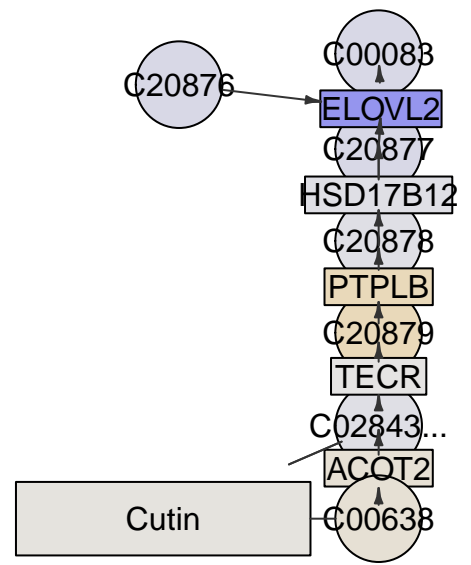
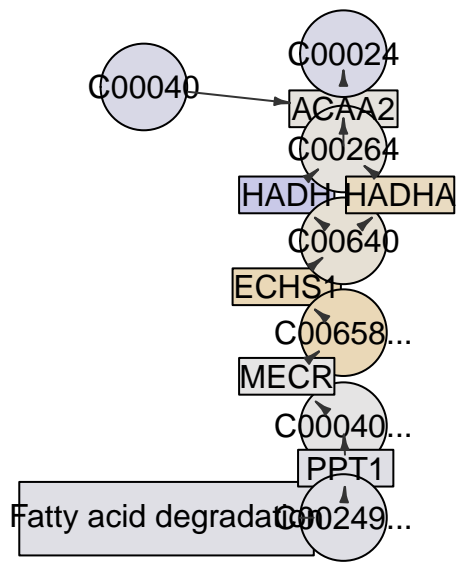
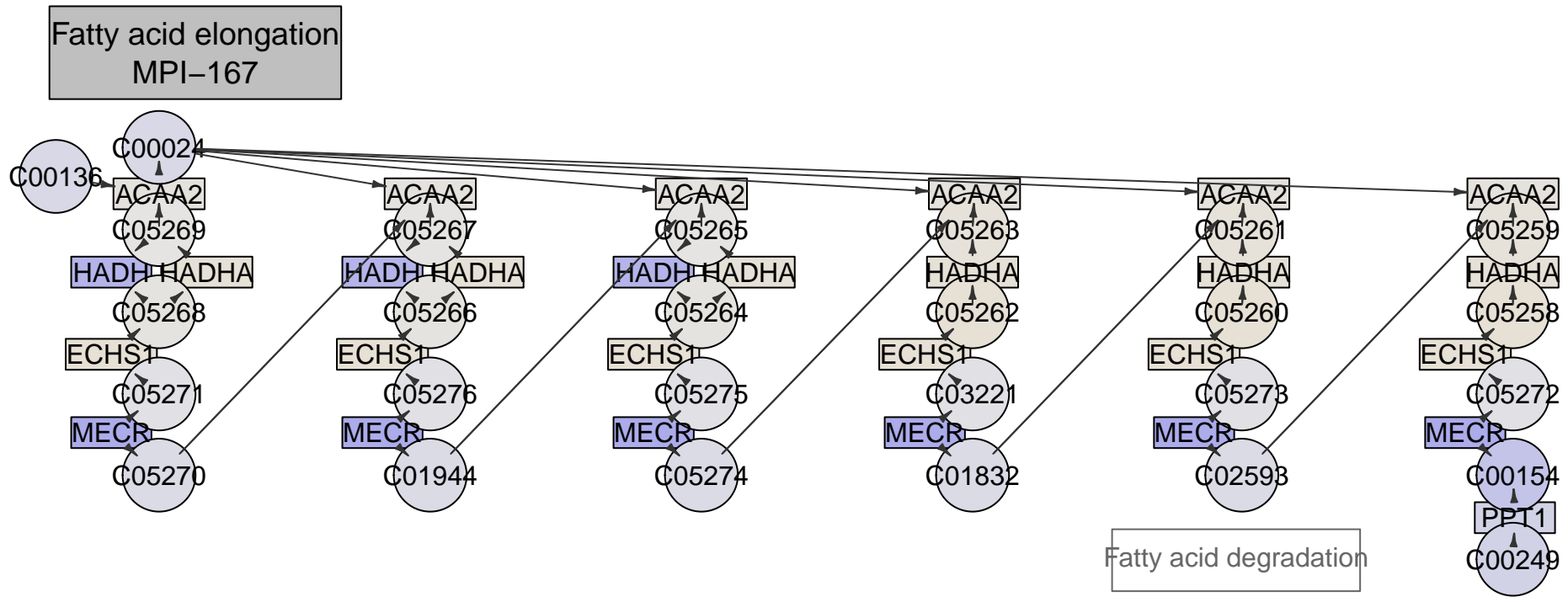




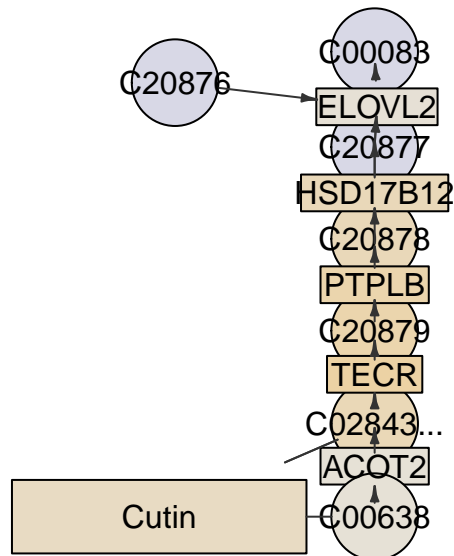
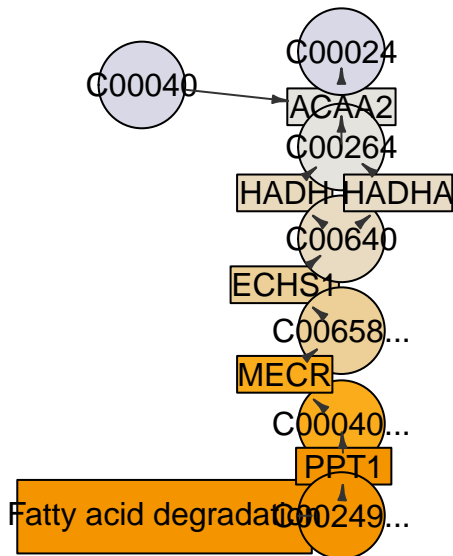
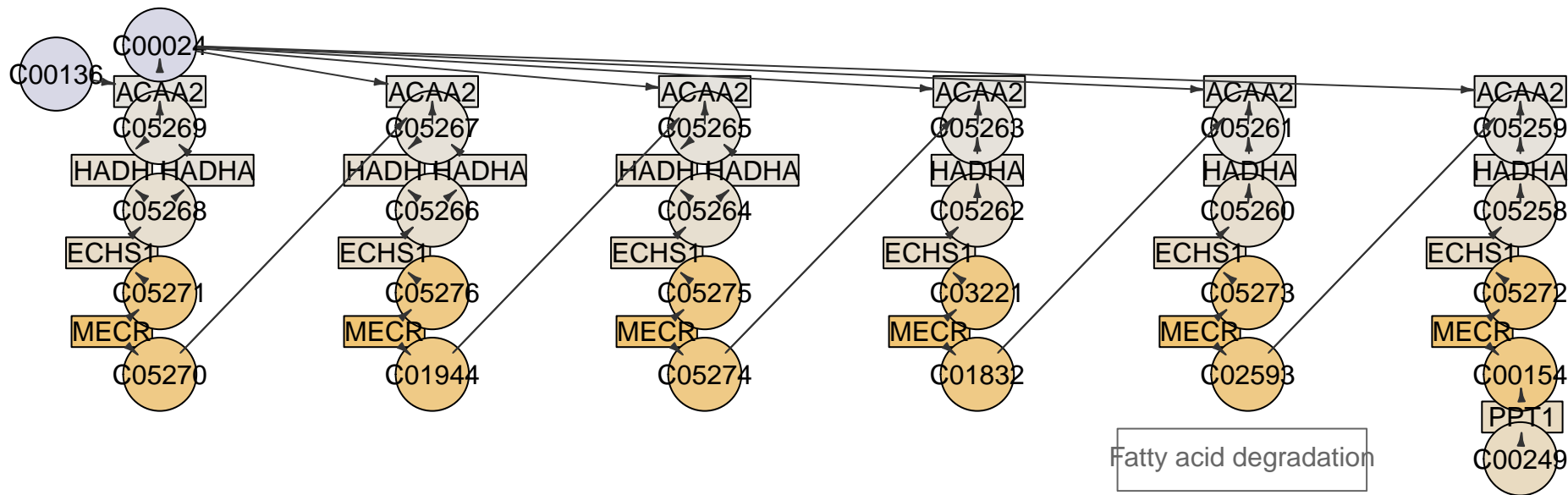
Fatty acid elongation
MPI-164

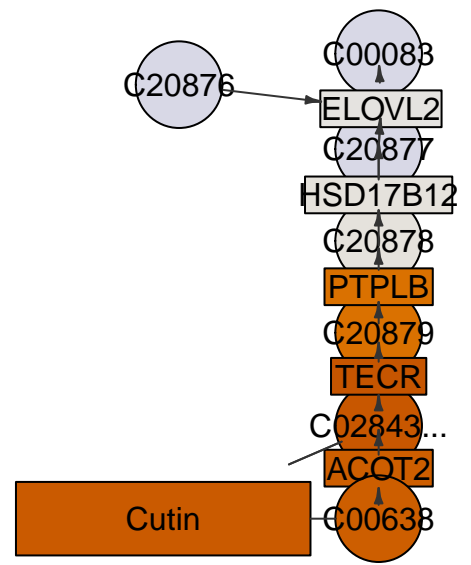
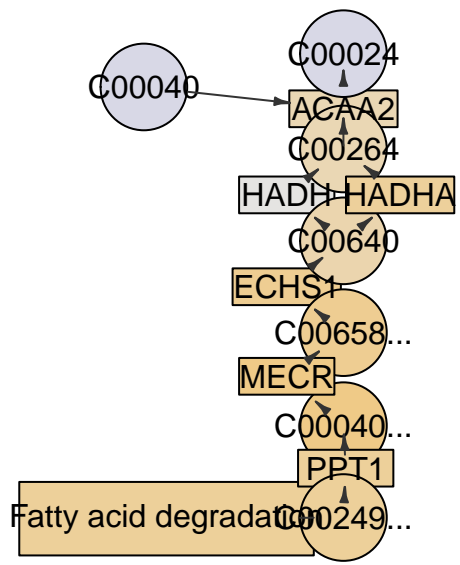
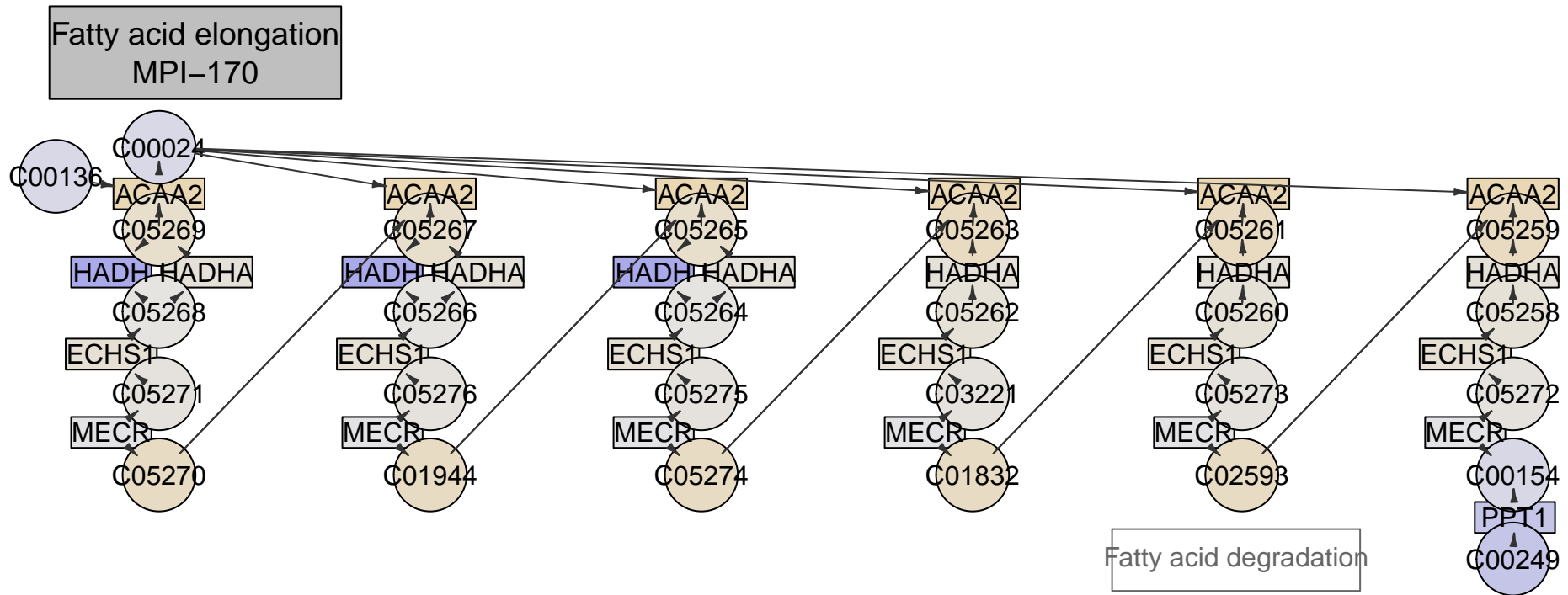


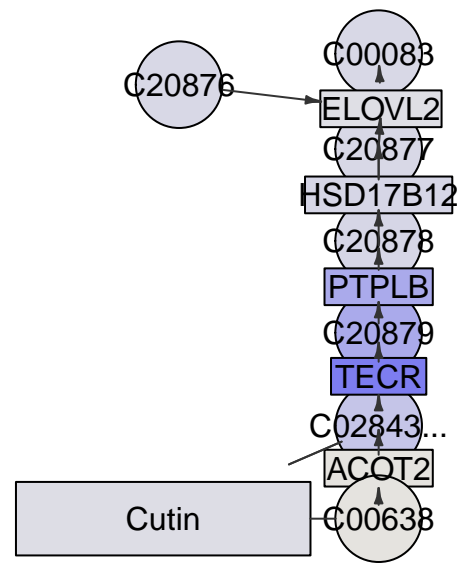
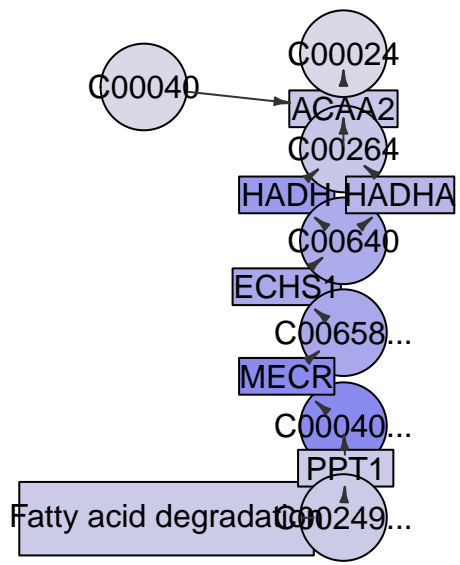
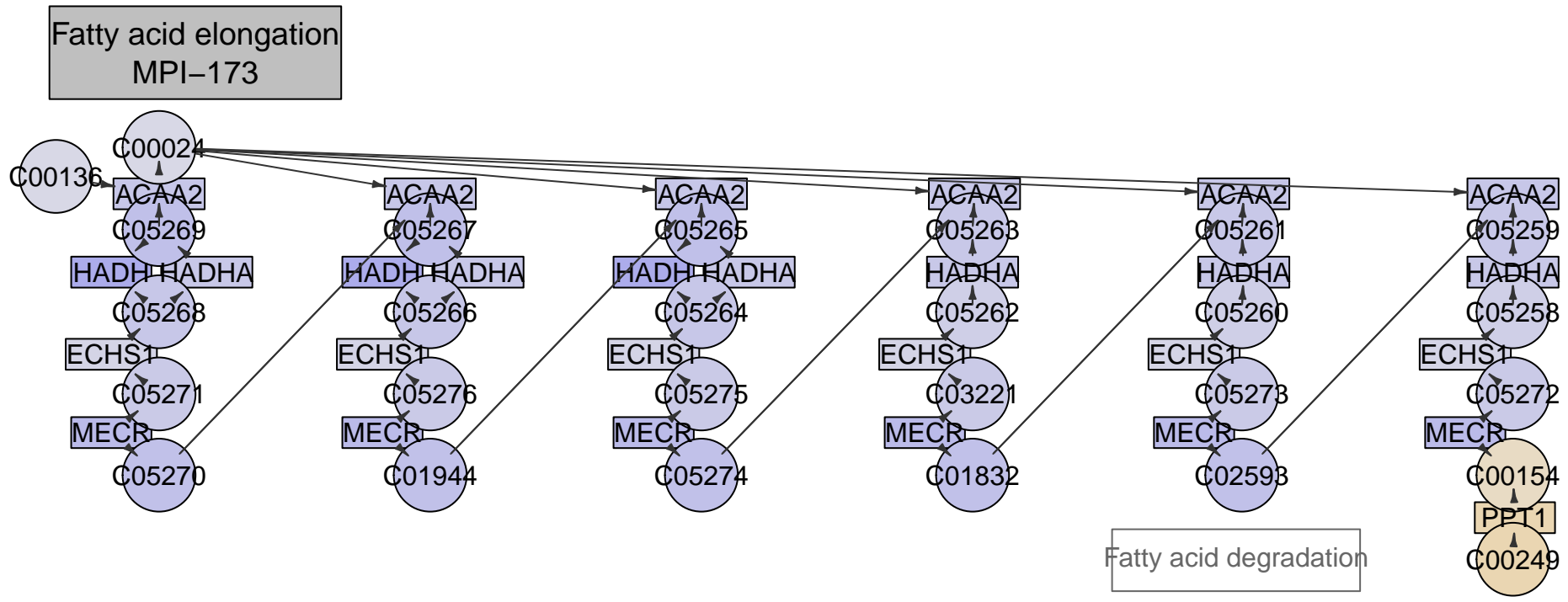


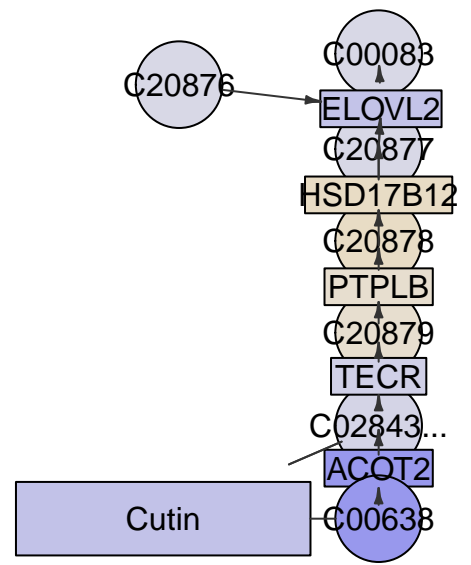
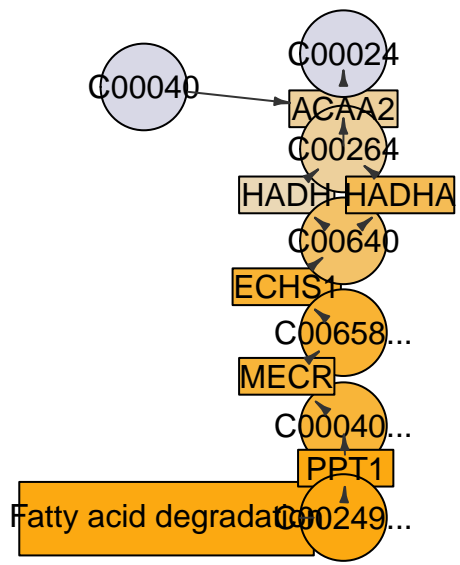
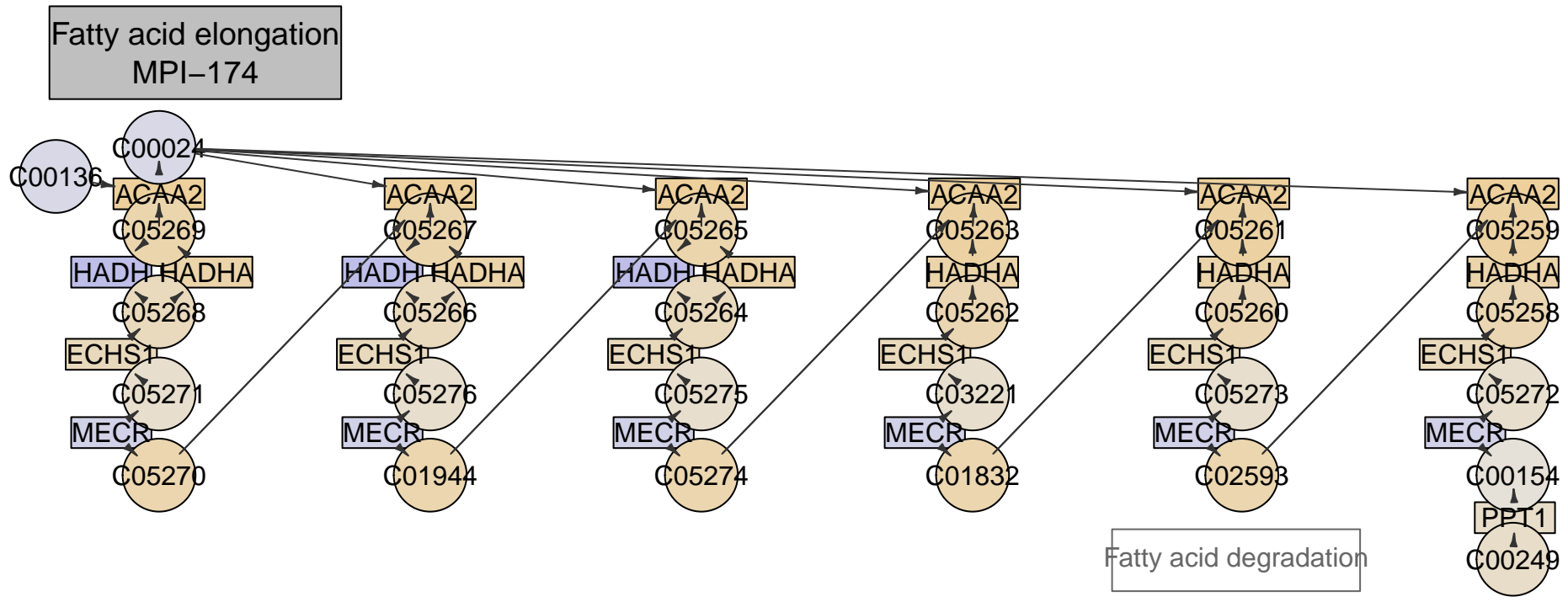


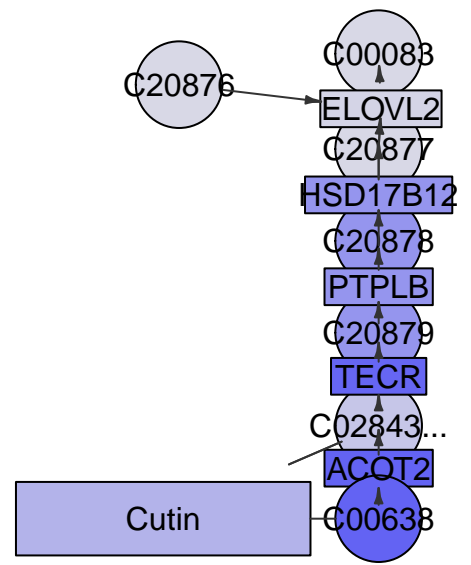
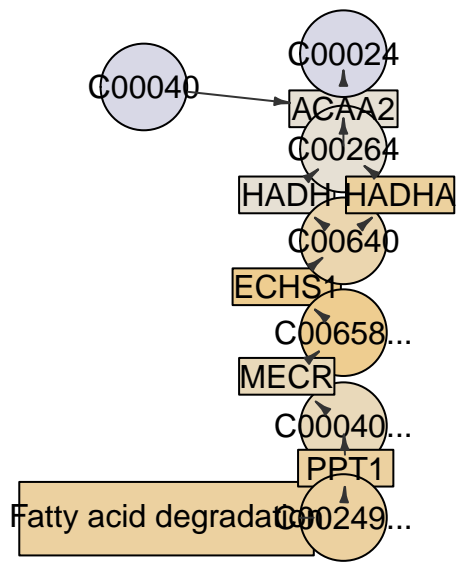
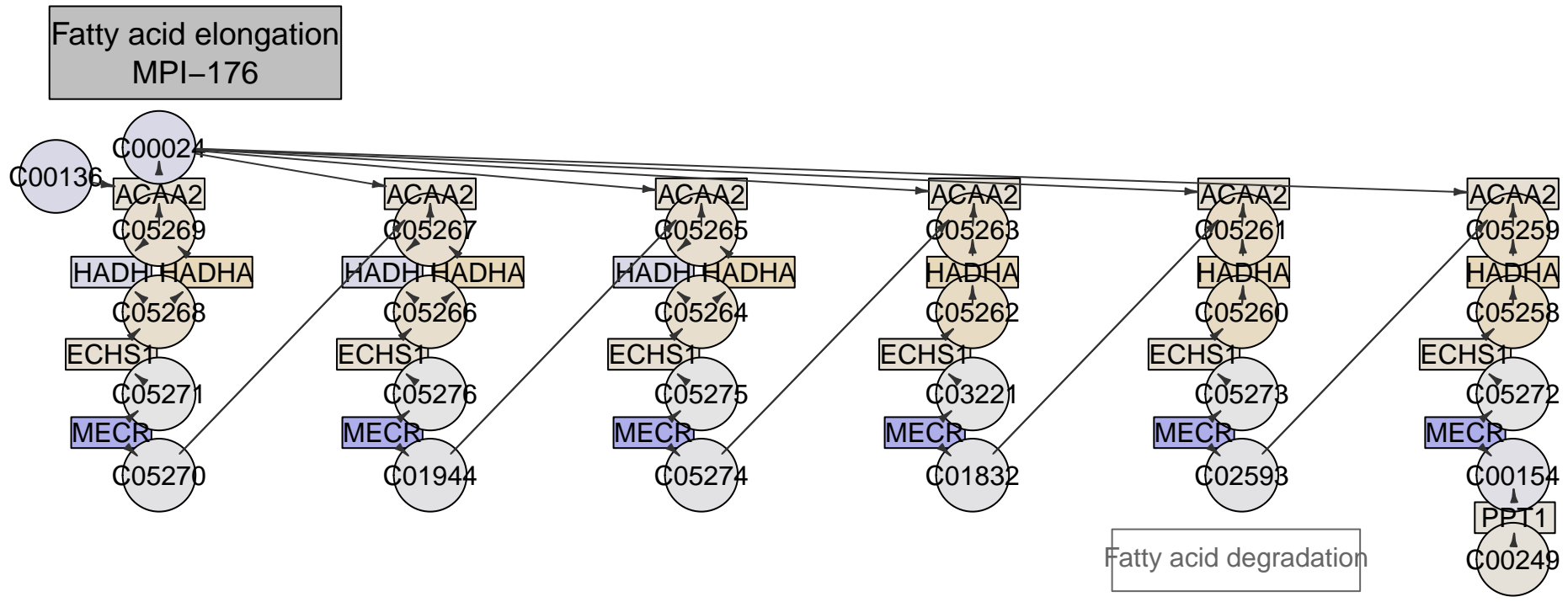
Fatty acid elongation
MPI-168

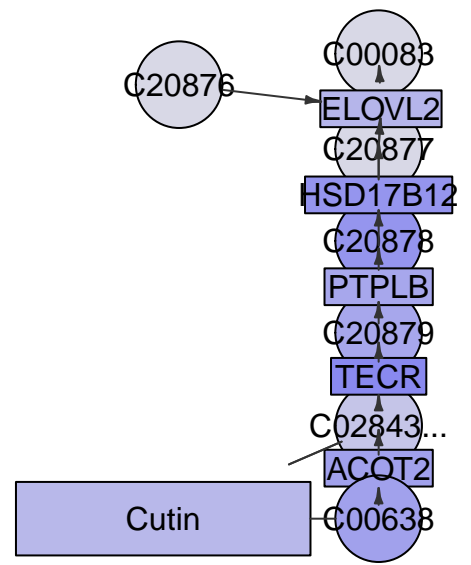
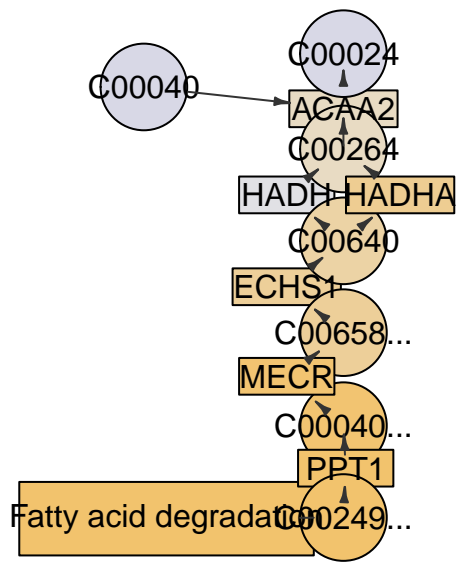
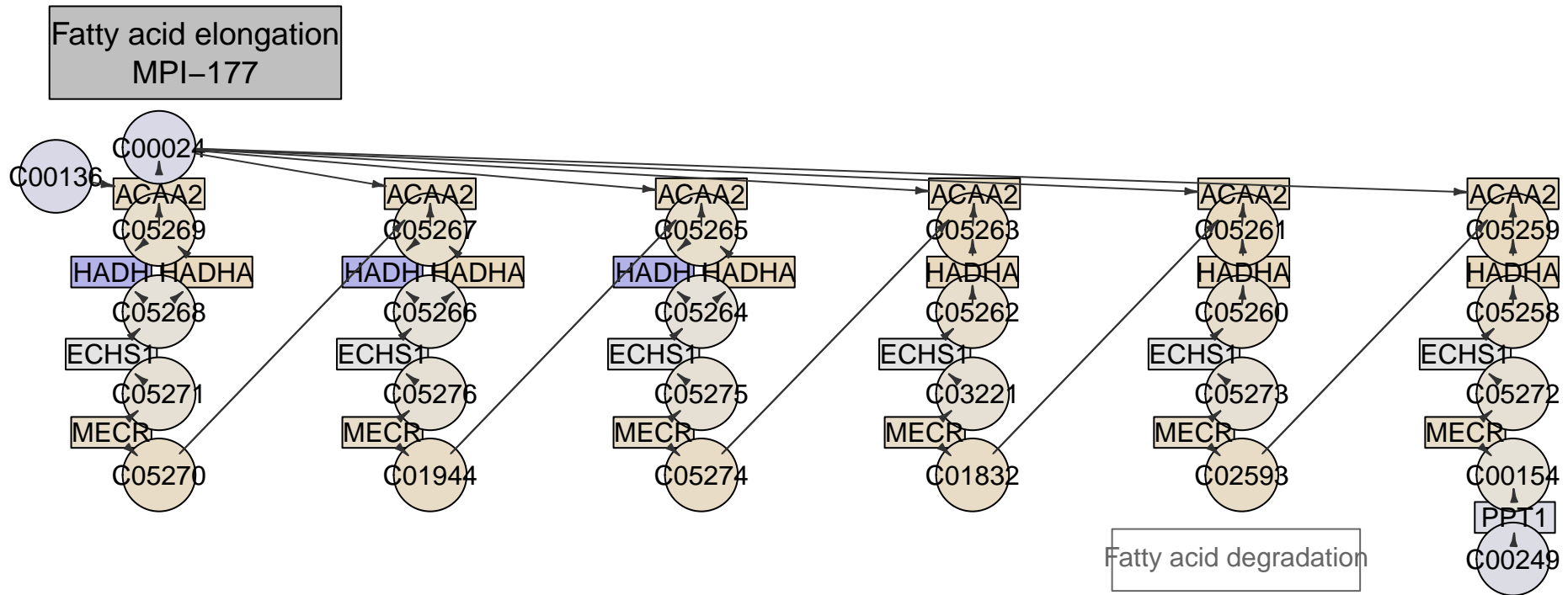


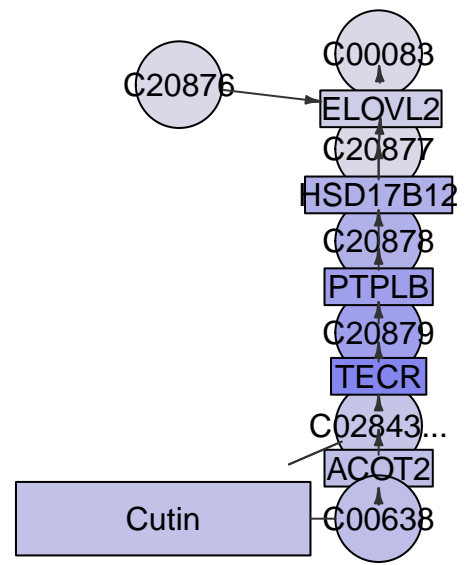
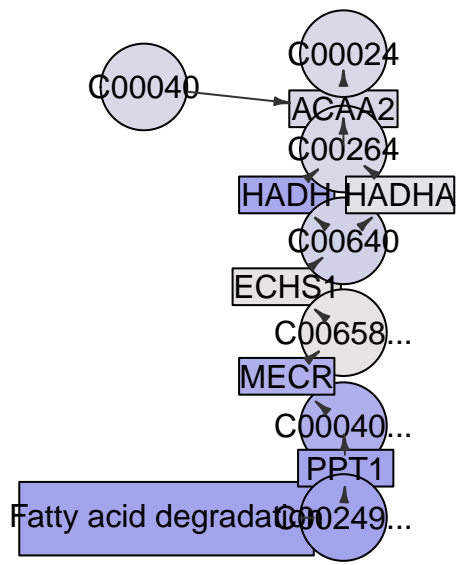
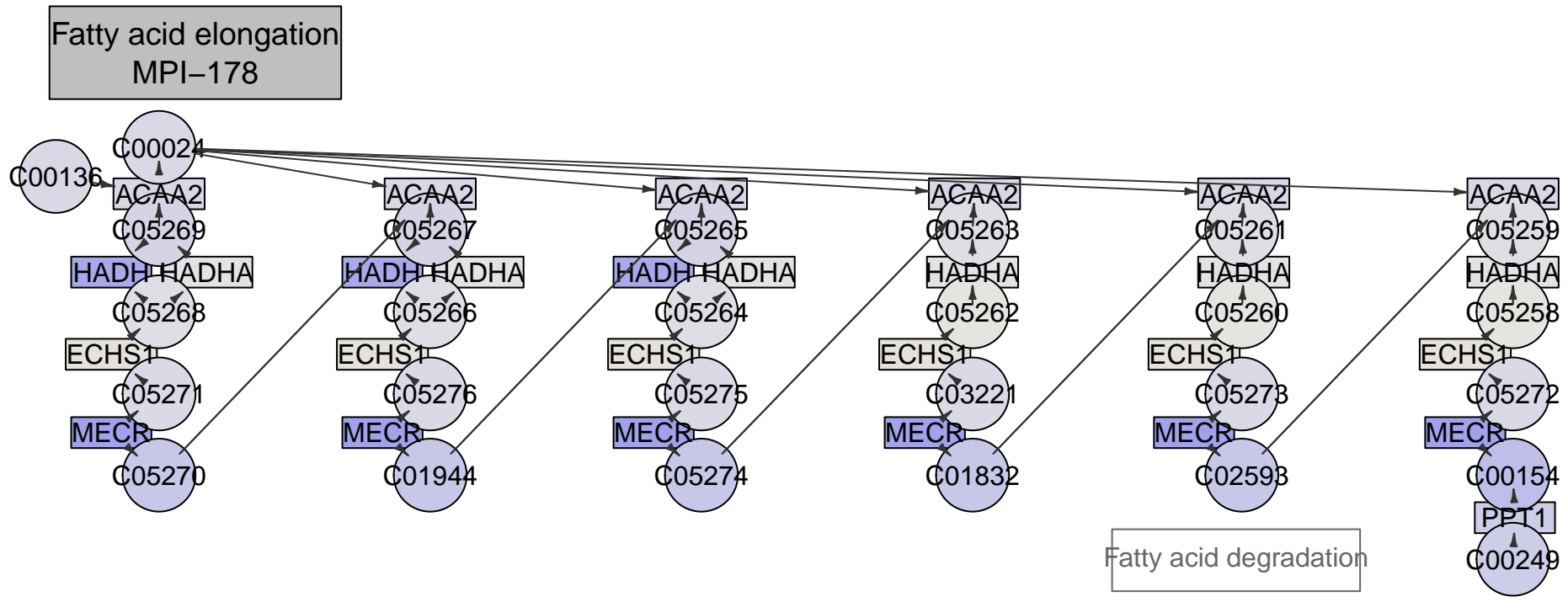


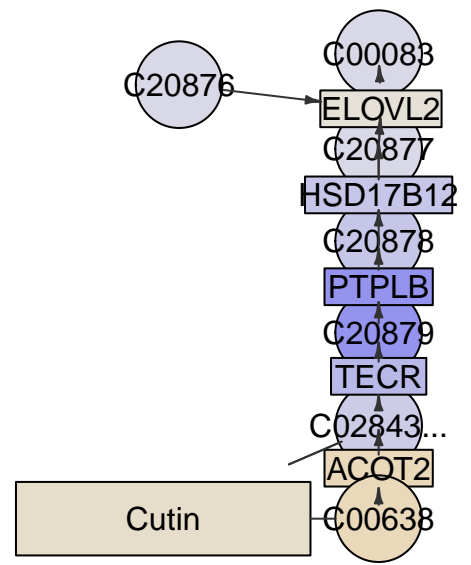
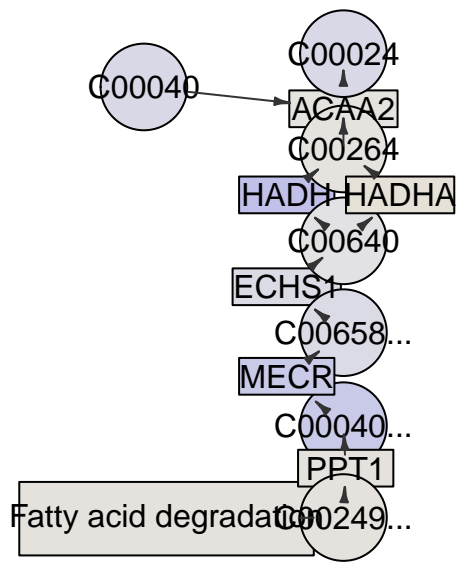
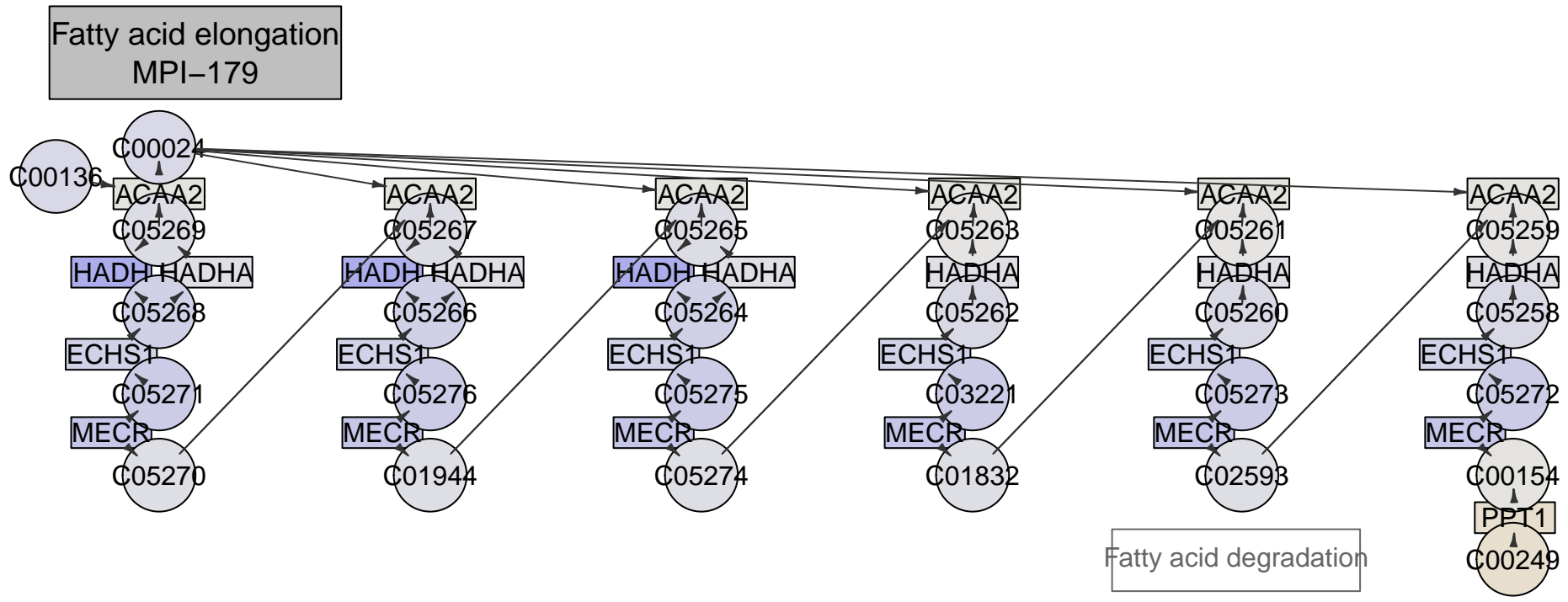


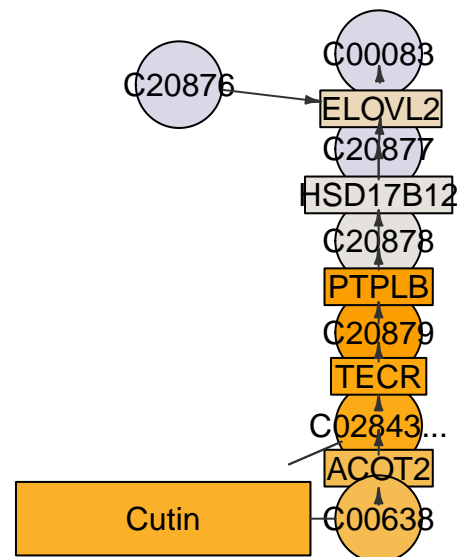
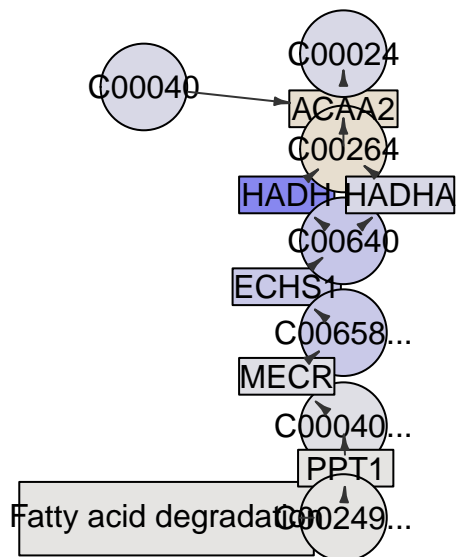
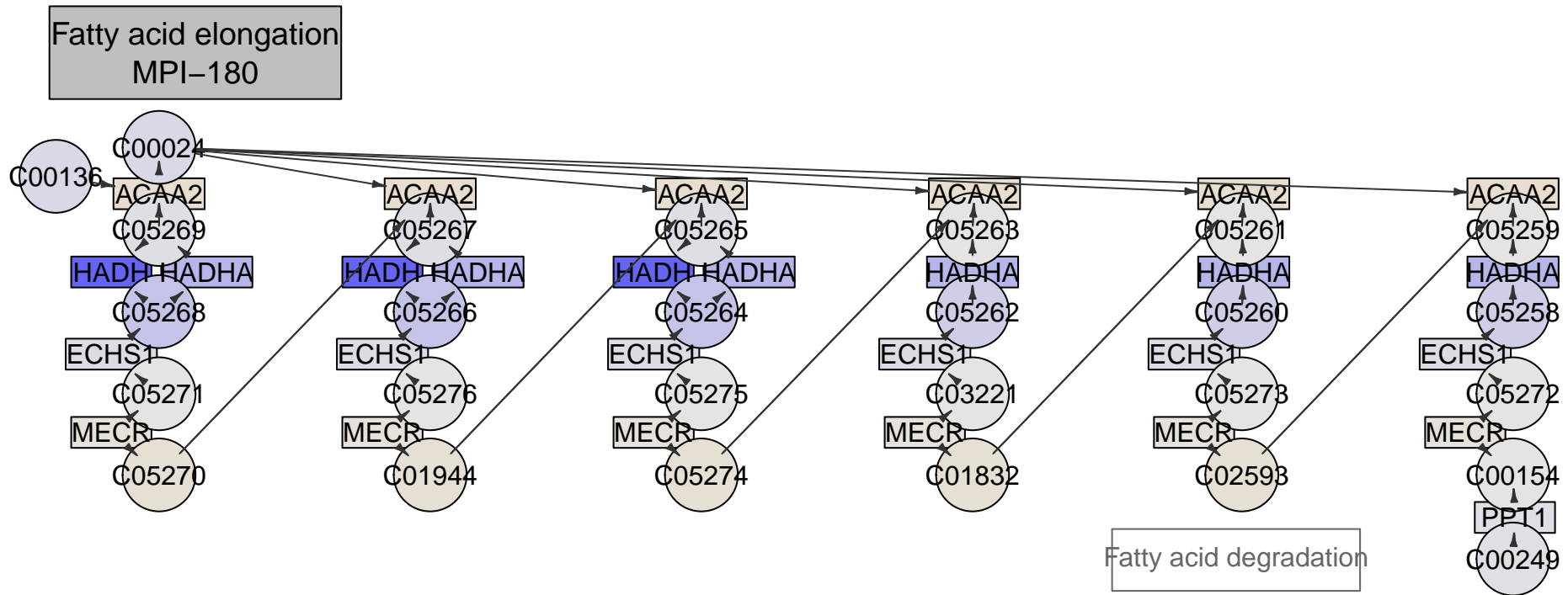


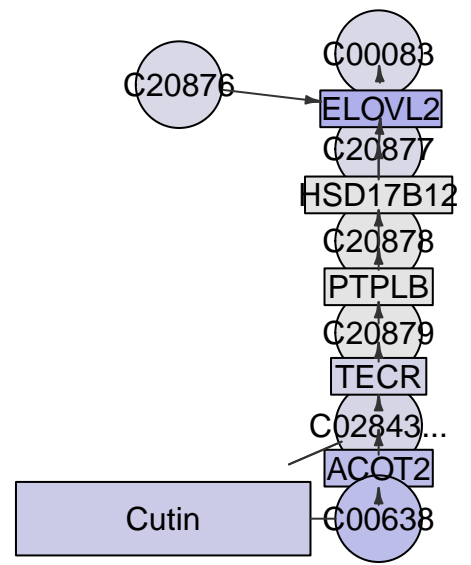
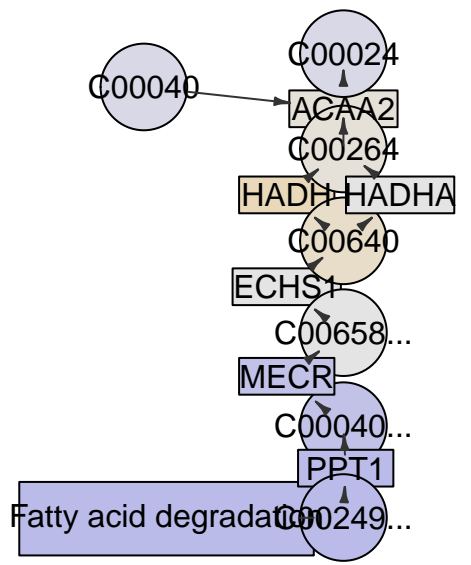
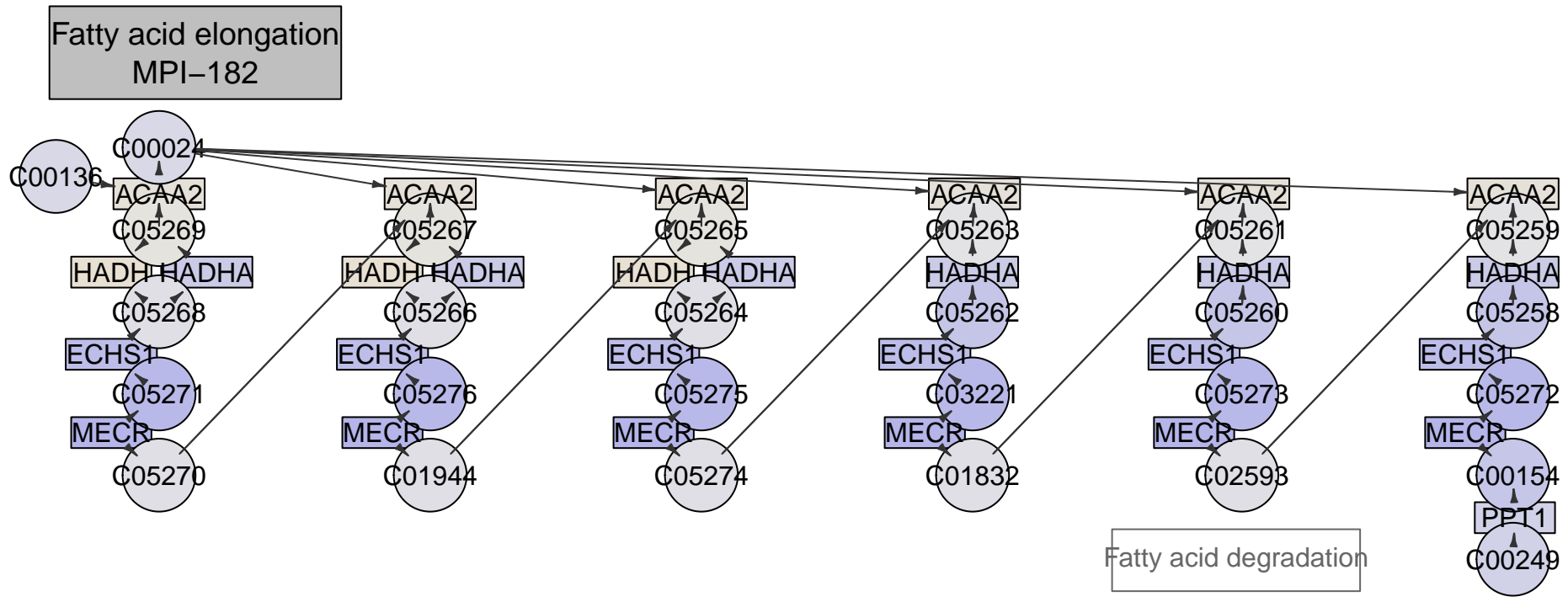




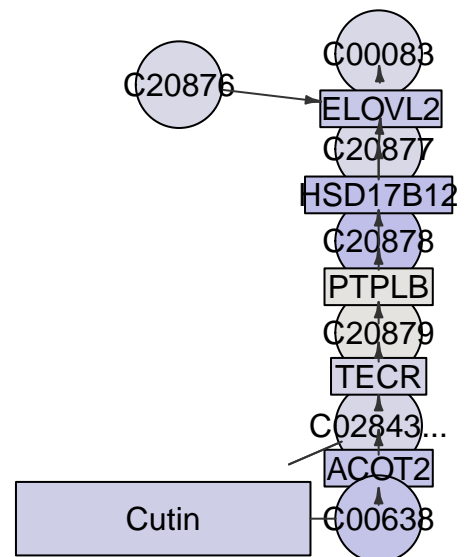
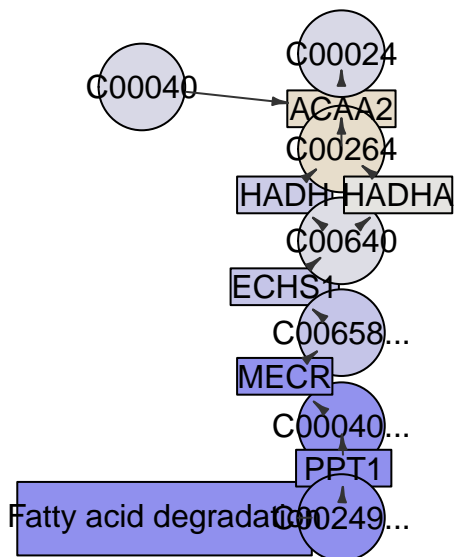
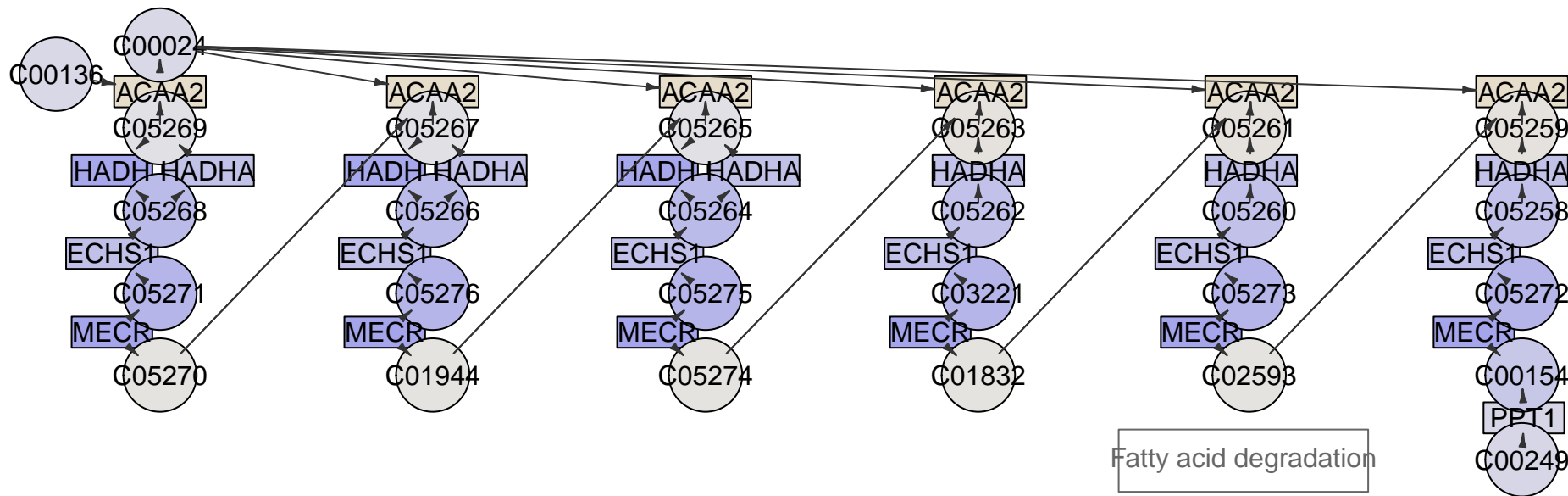




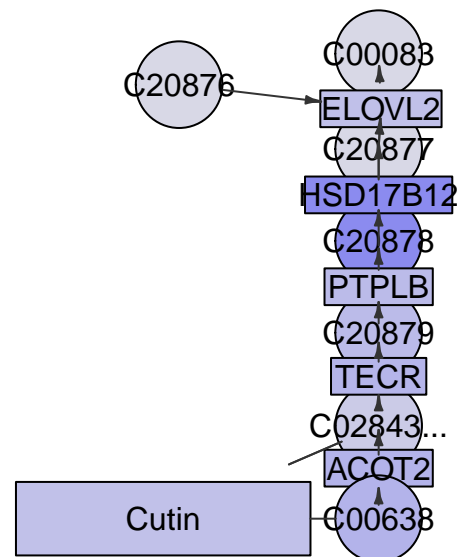
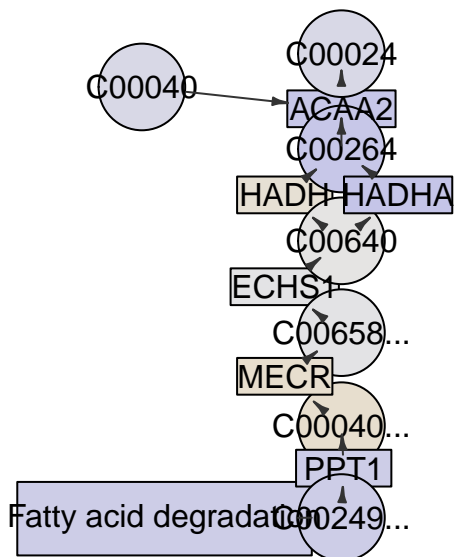
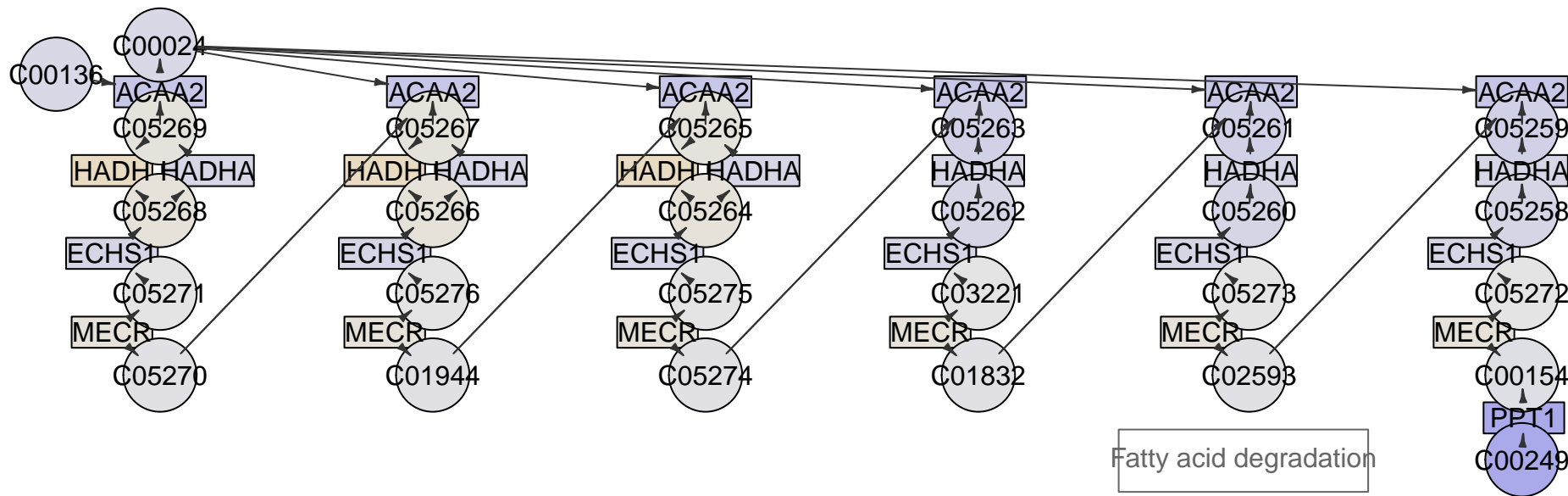


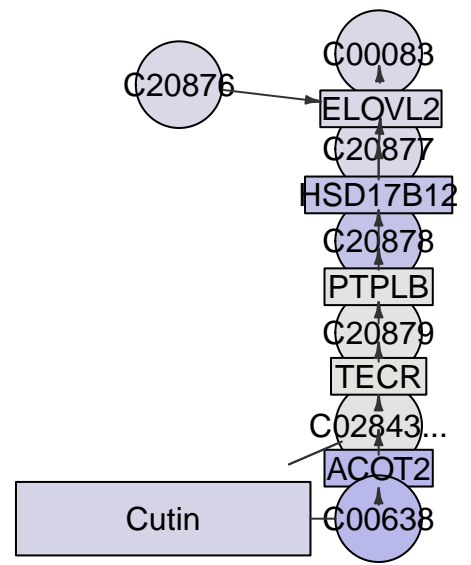
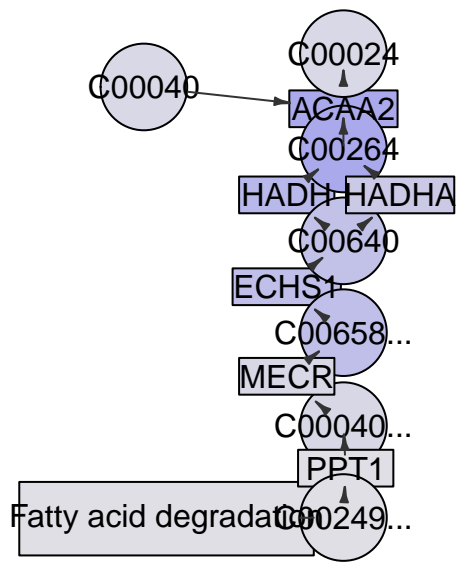
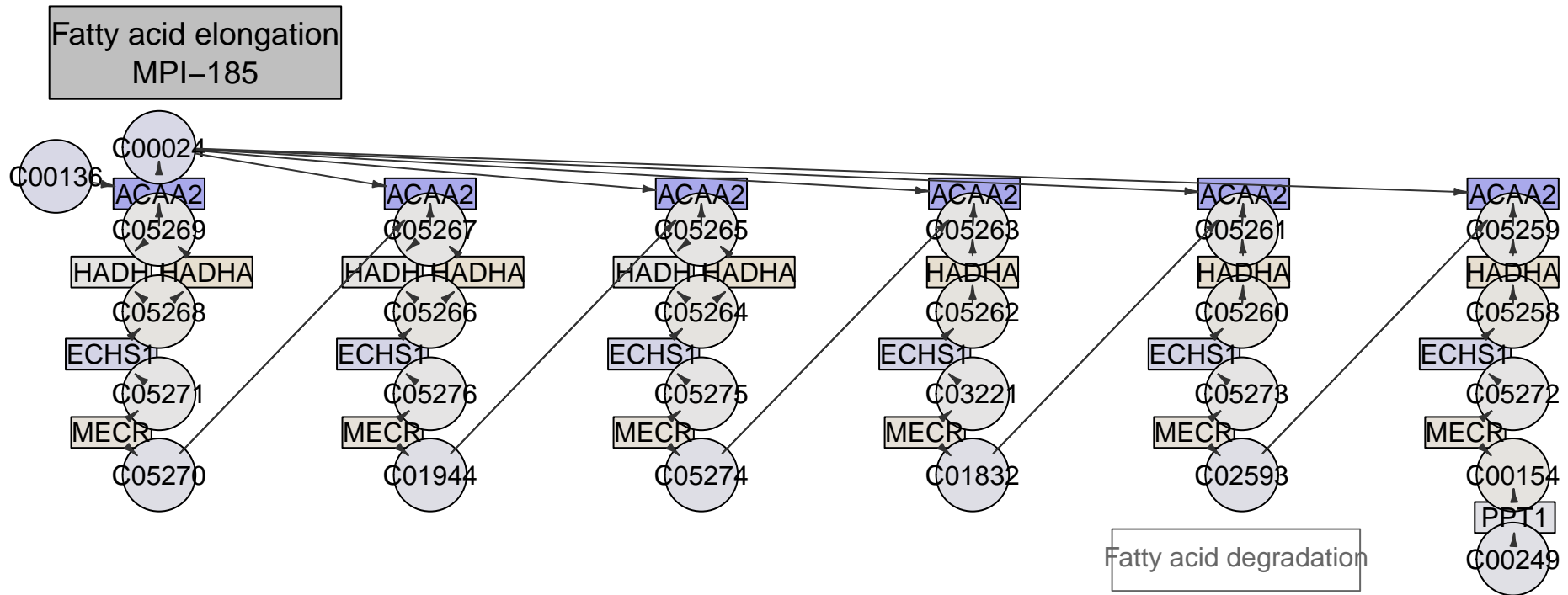


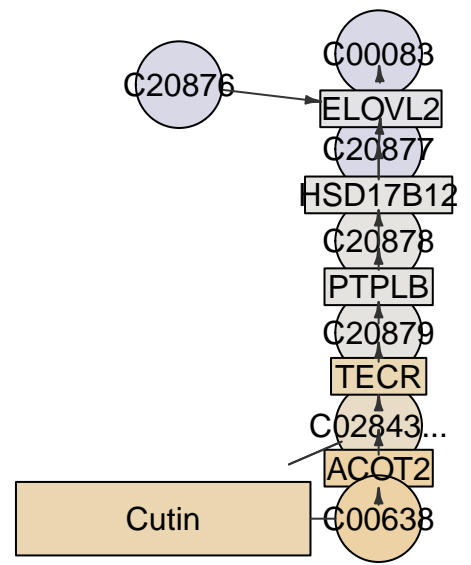
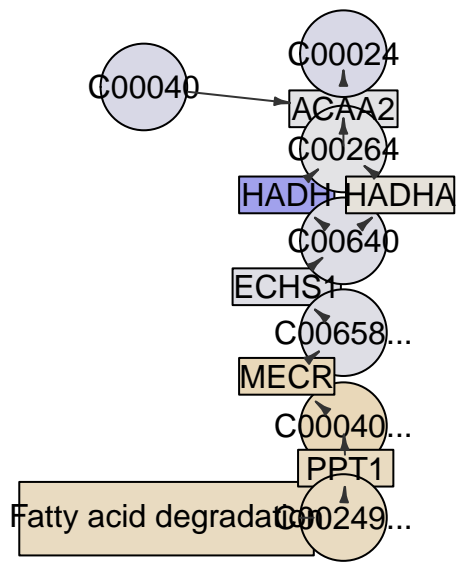
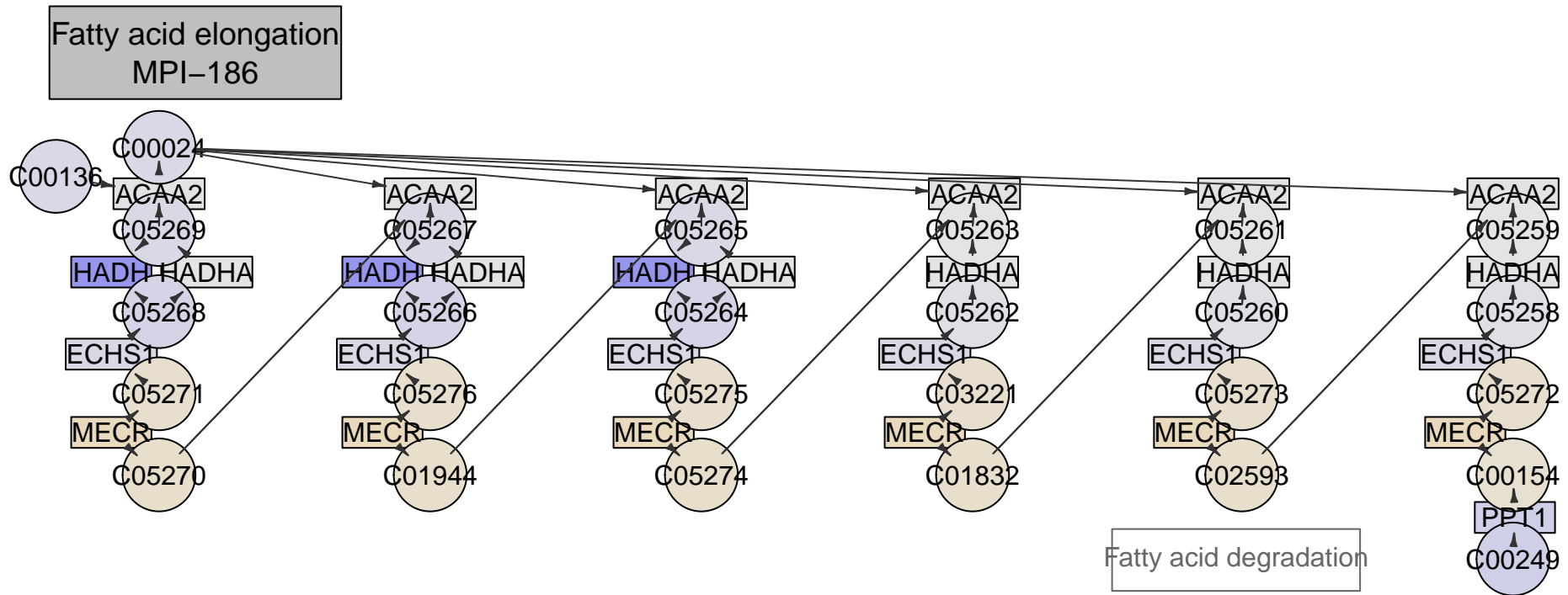
Fatty acid elongation
MPI-183

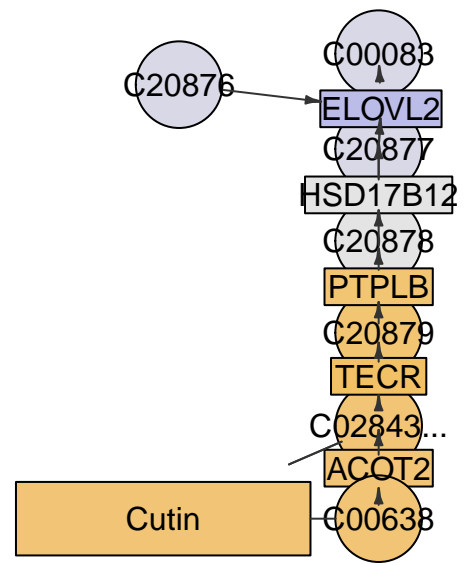
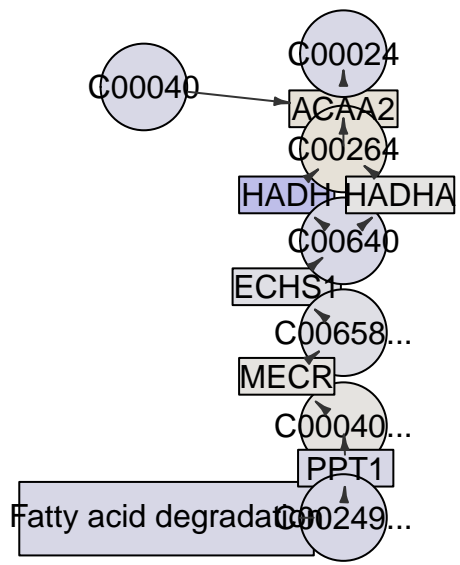
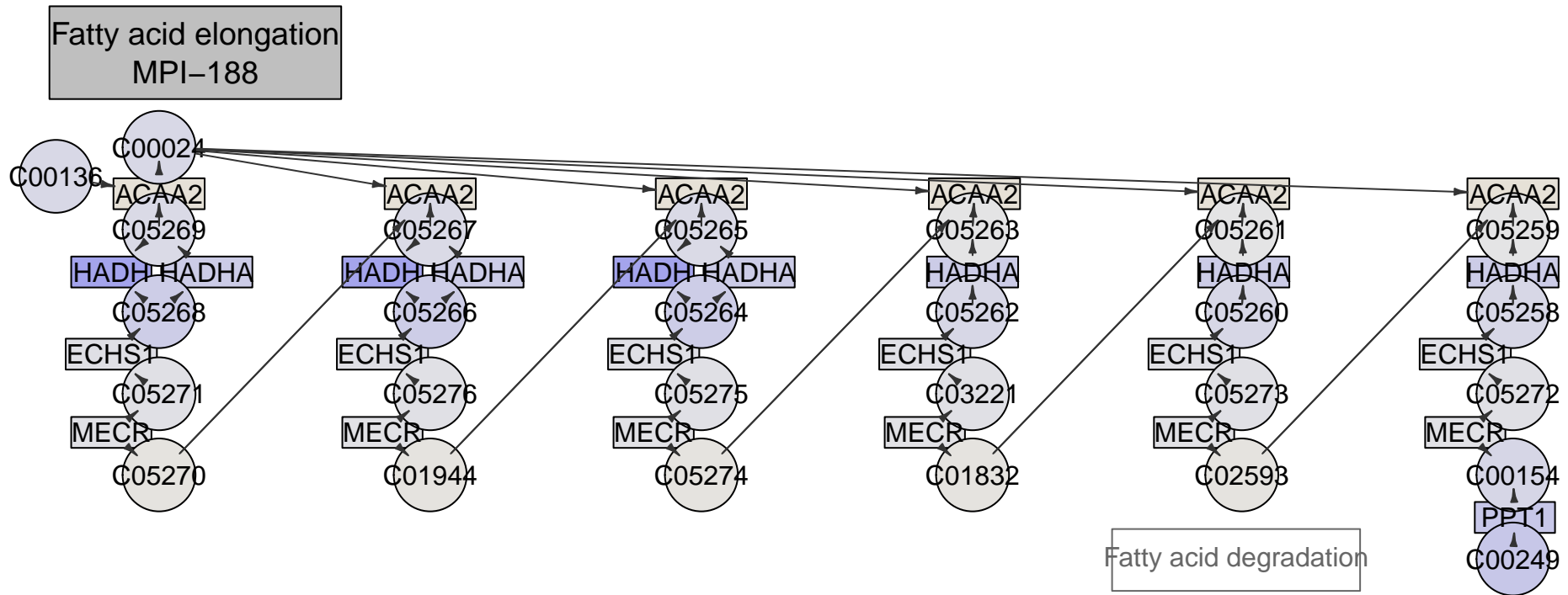


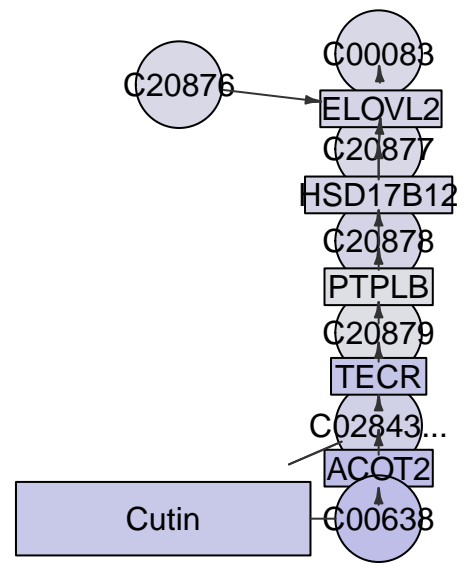
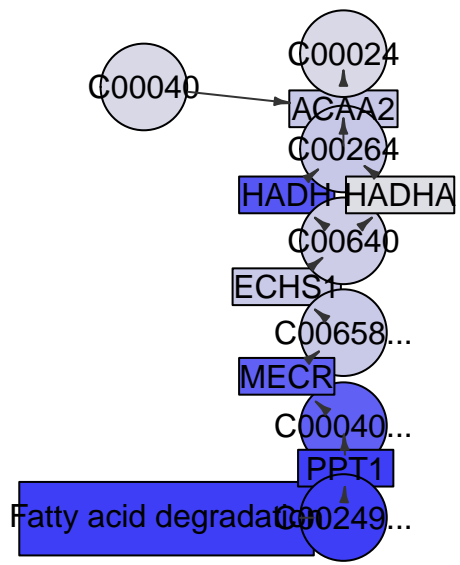
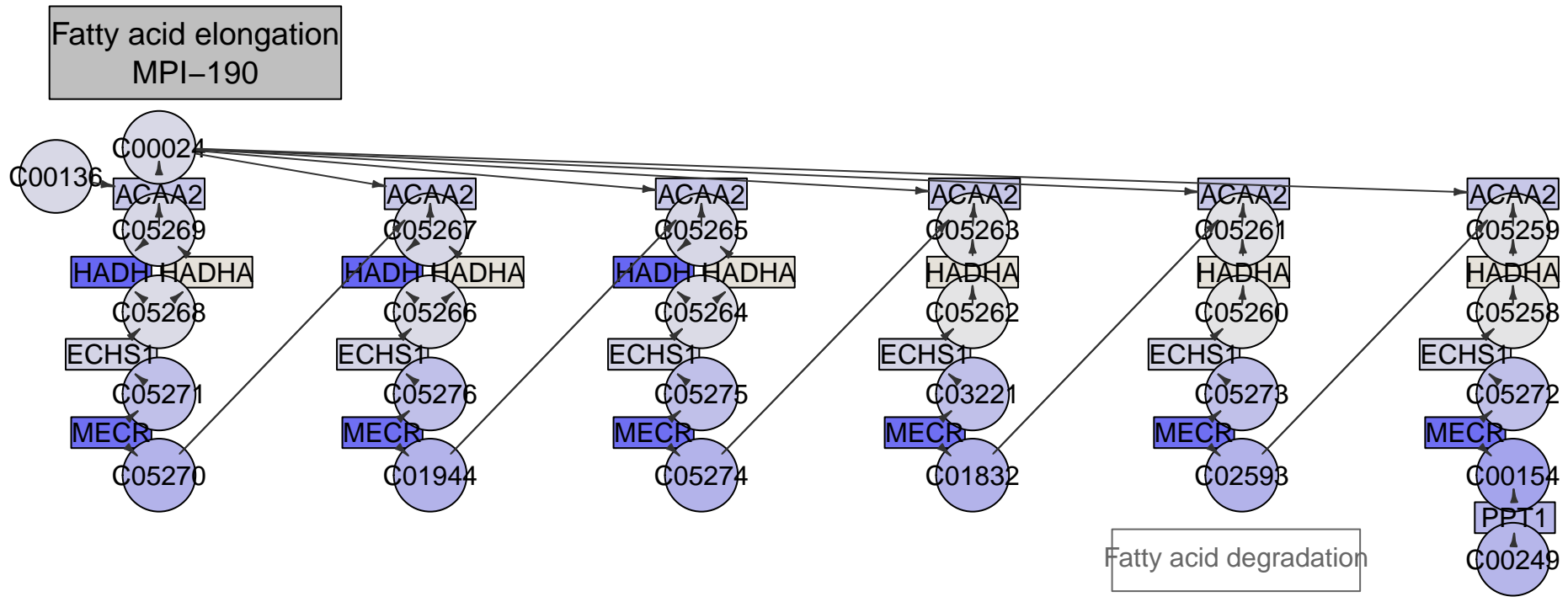
Fatty acid elongation
MPI-184

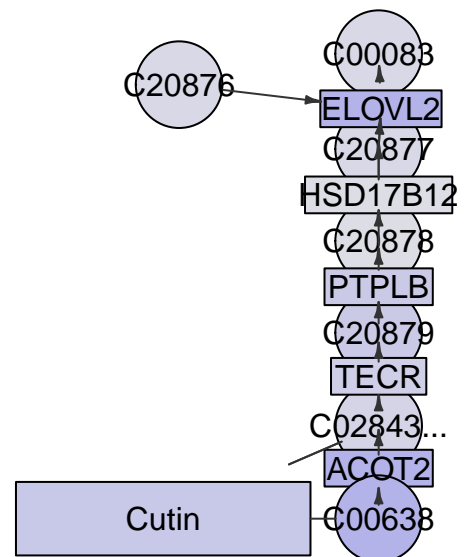
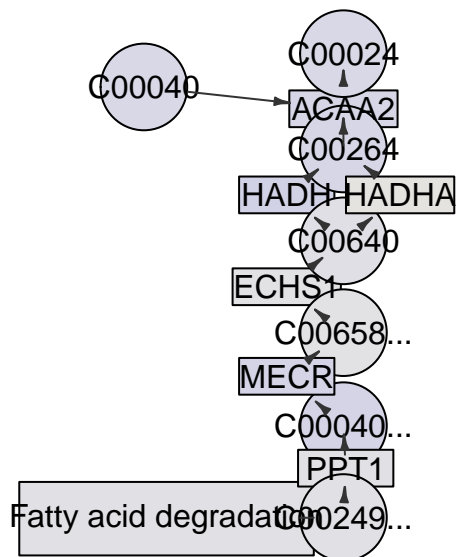
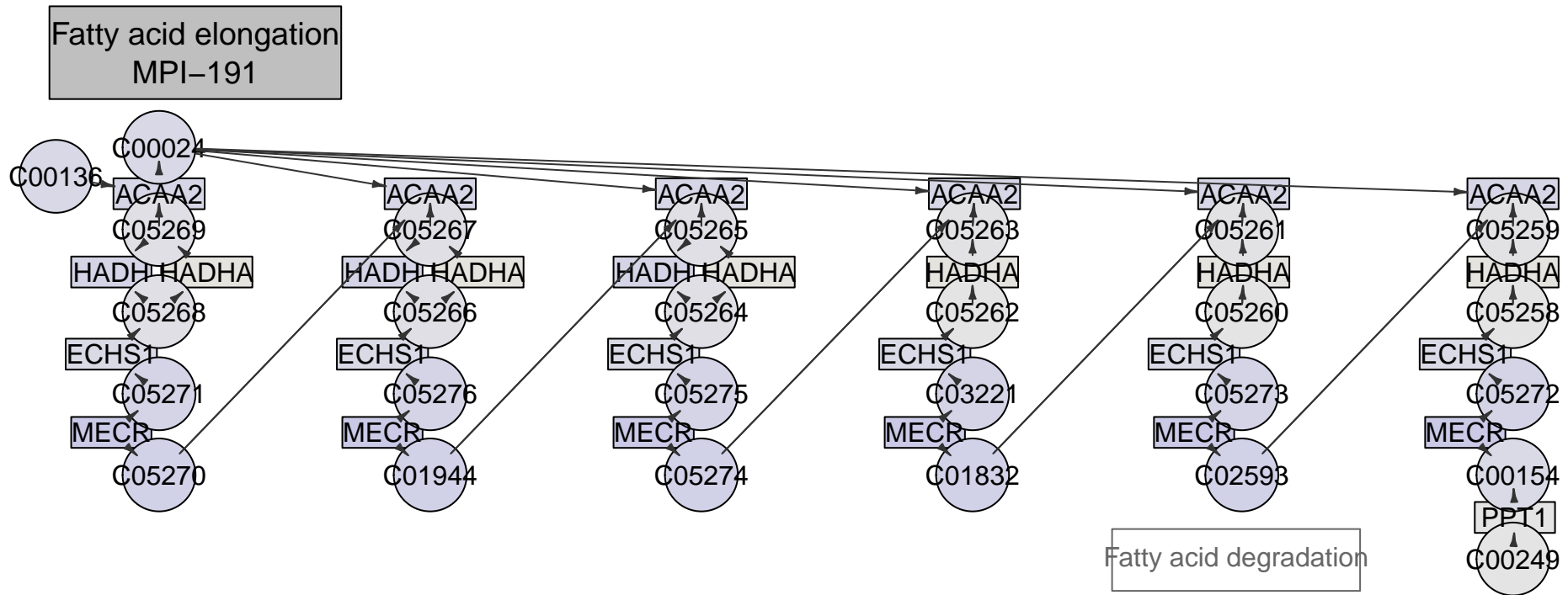




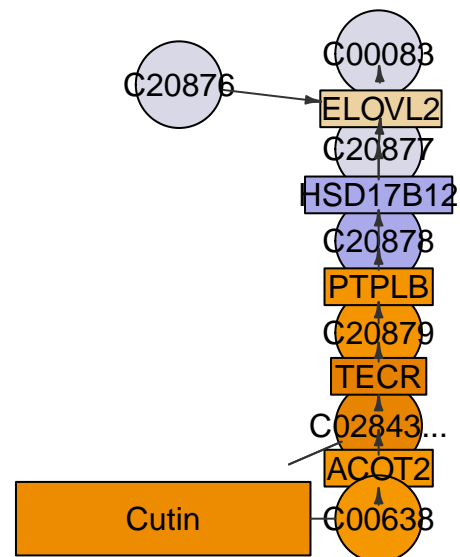
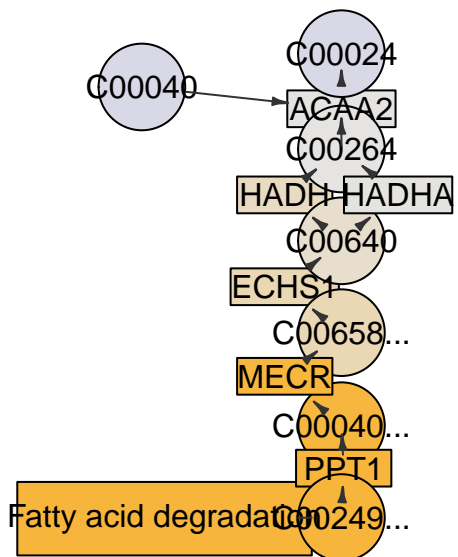
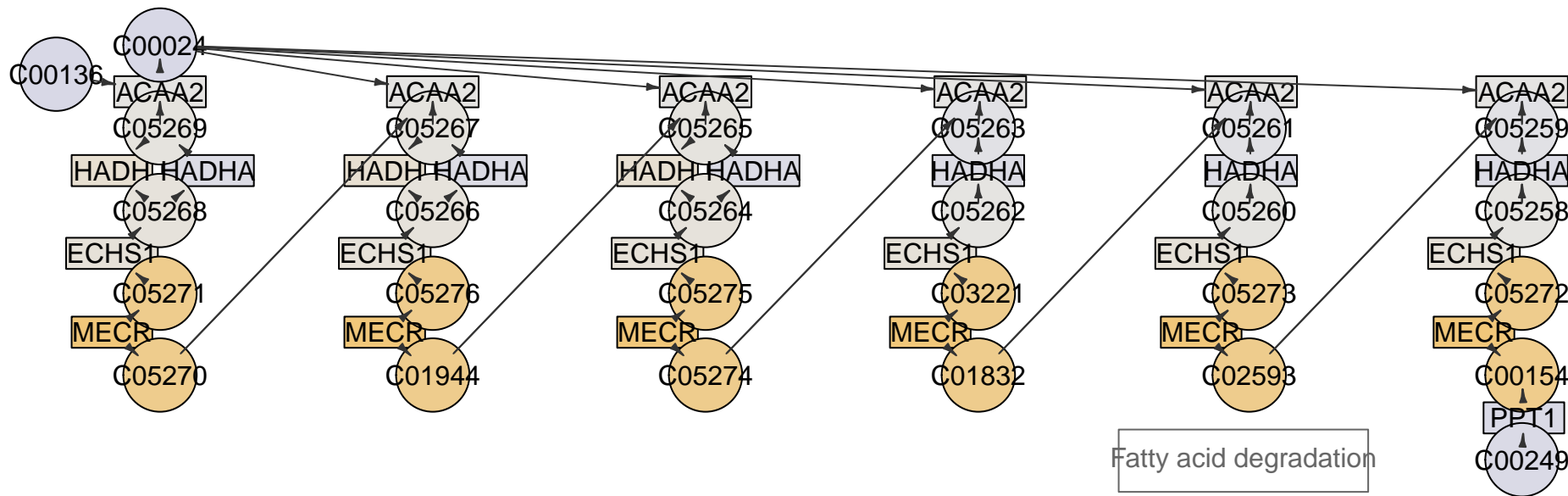


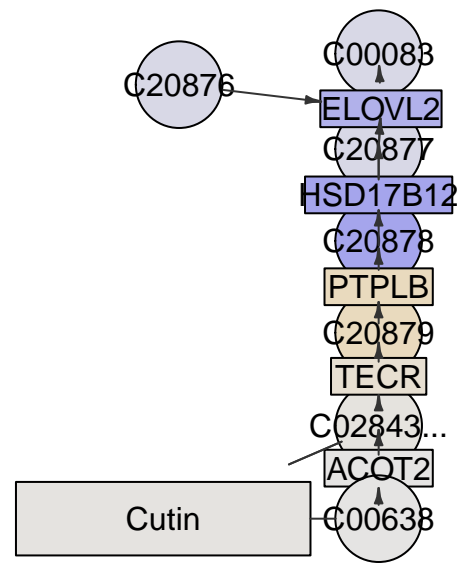
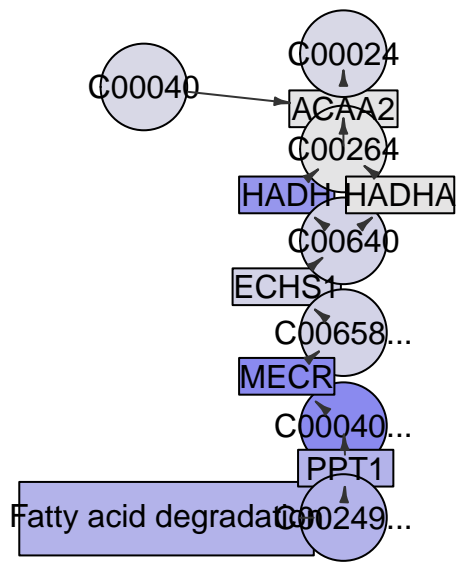
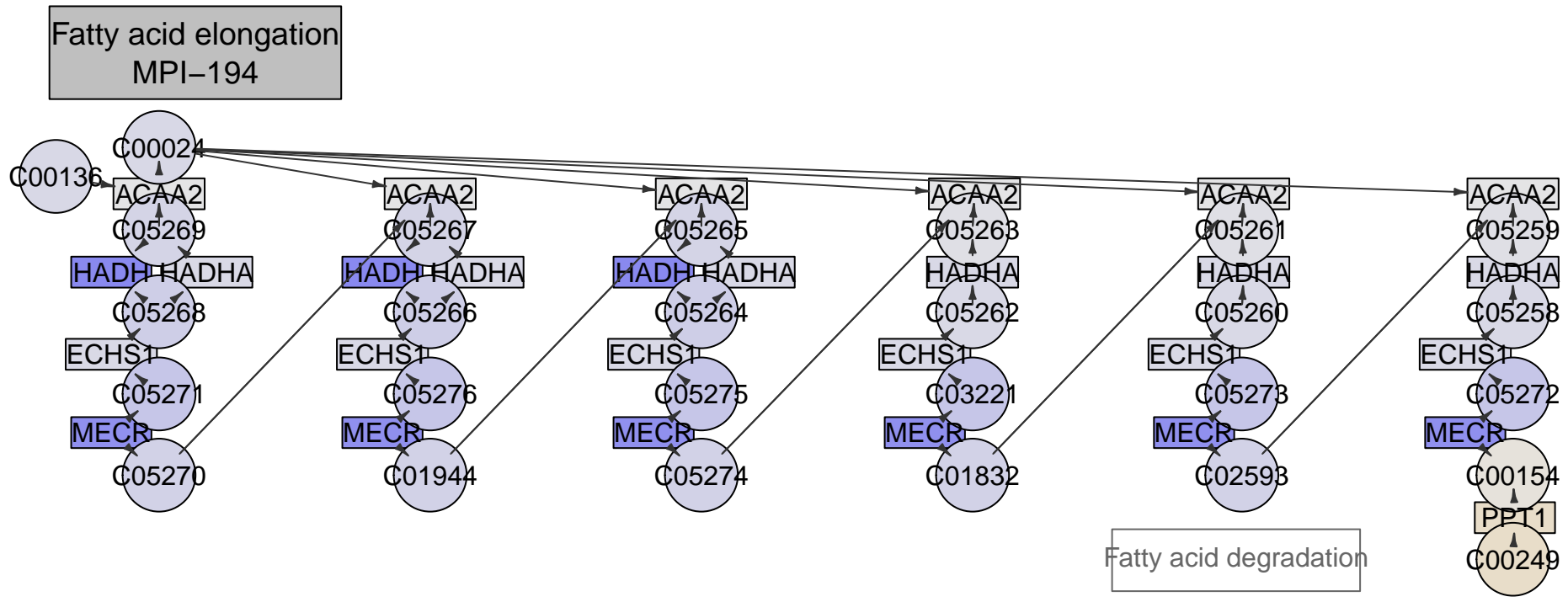


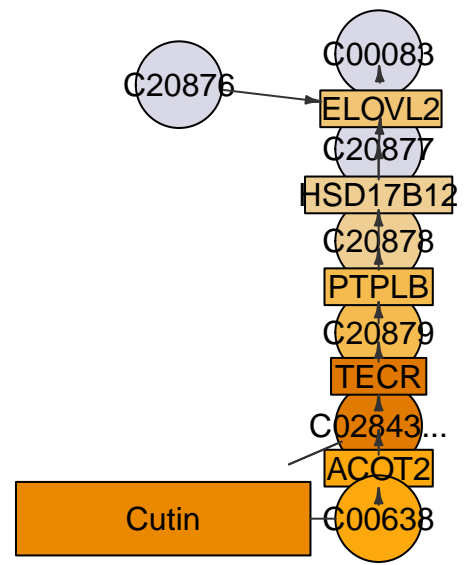
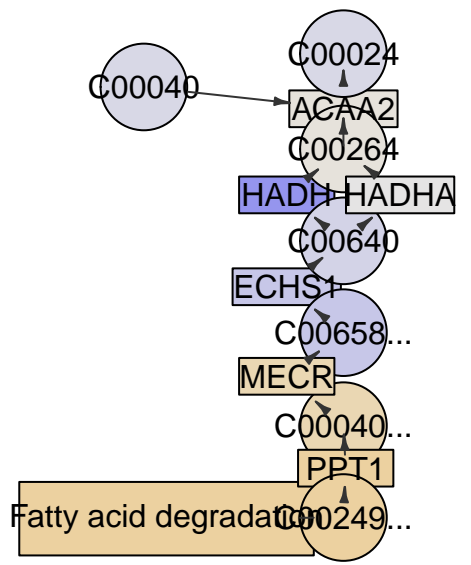
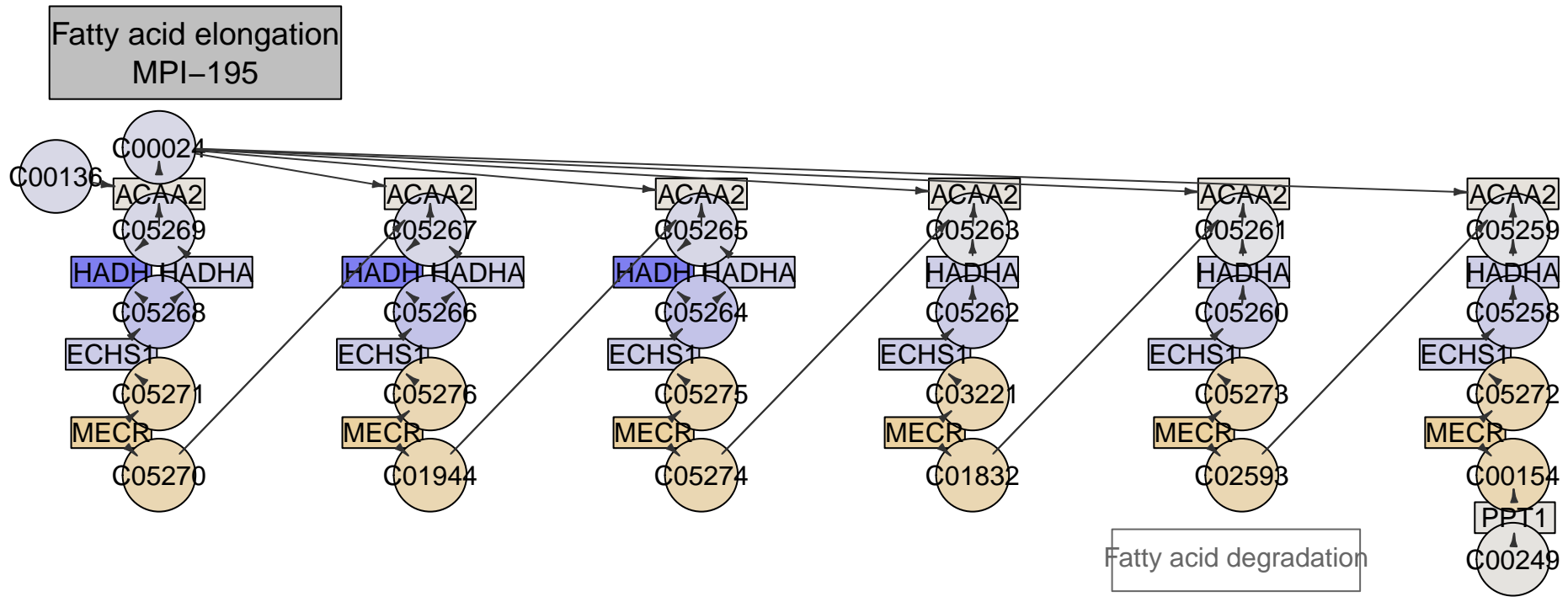


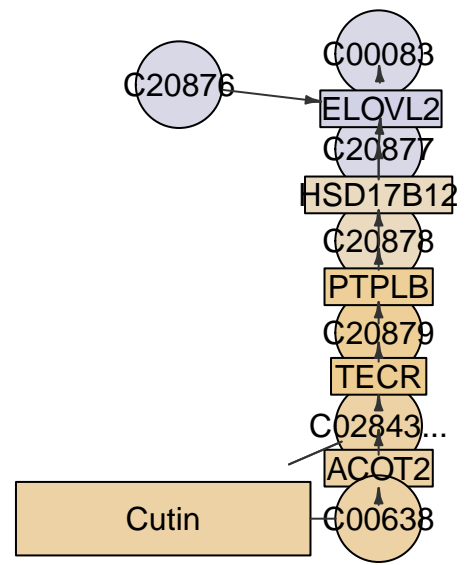
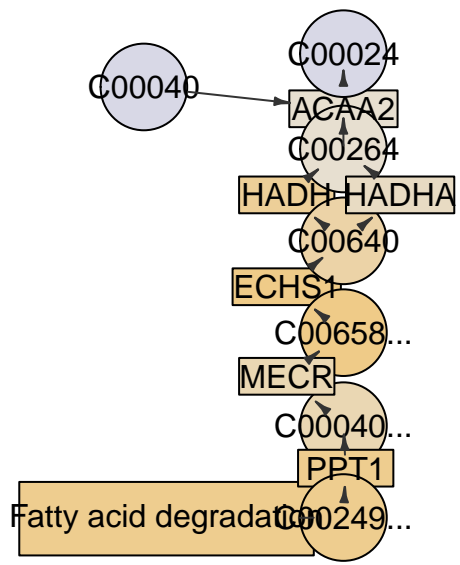
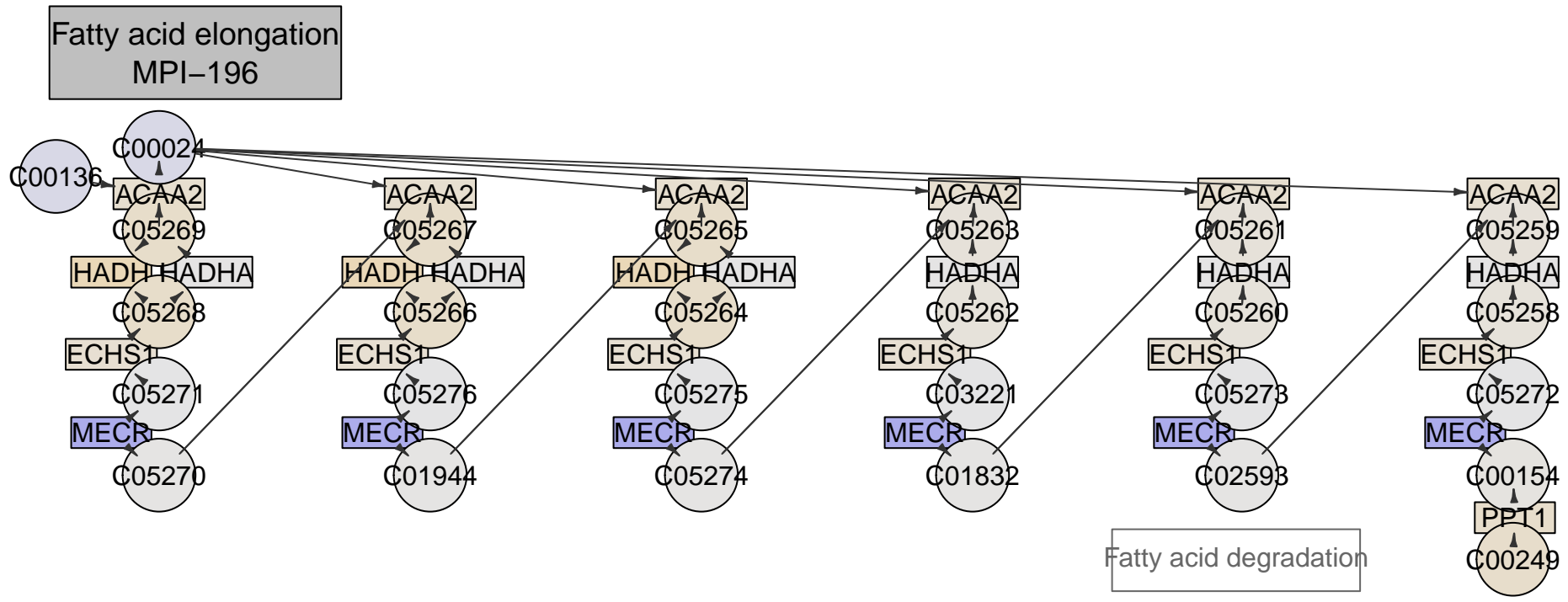


Fatty acid elongation
MPI-192

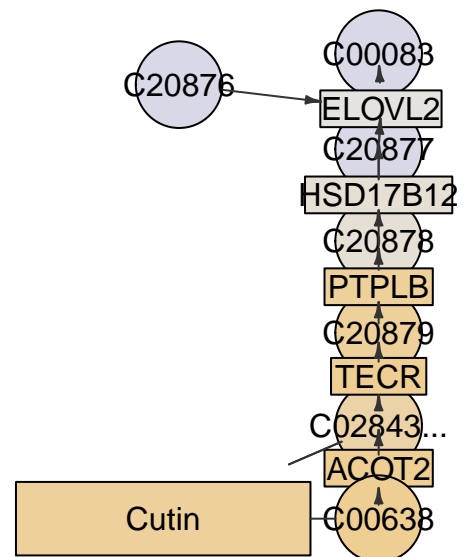
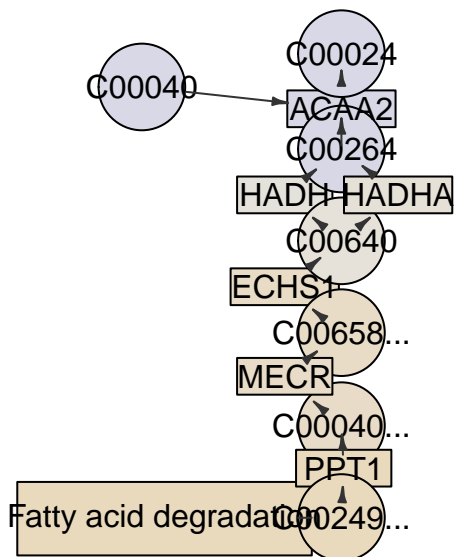
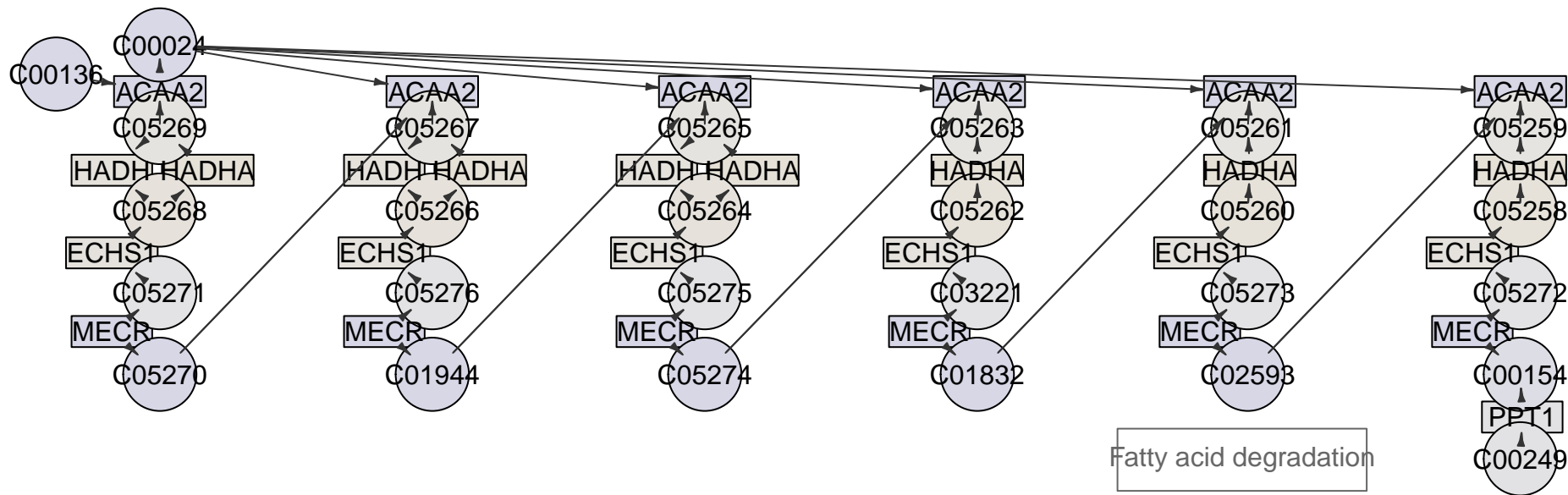


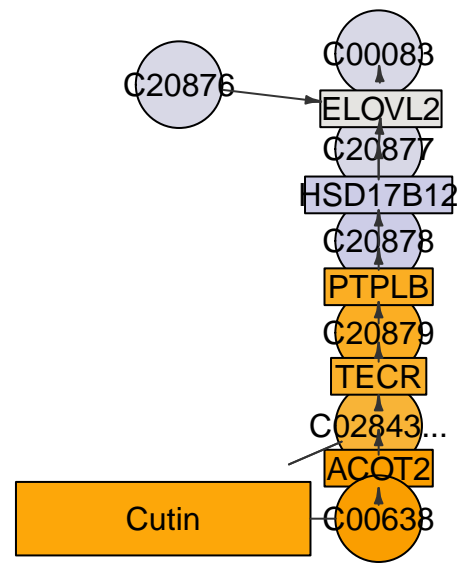
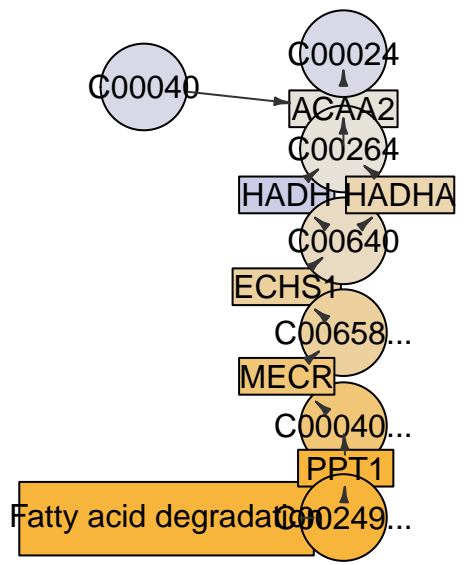
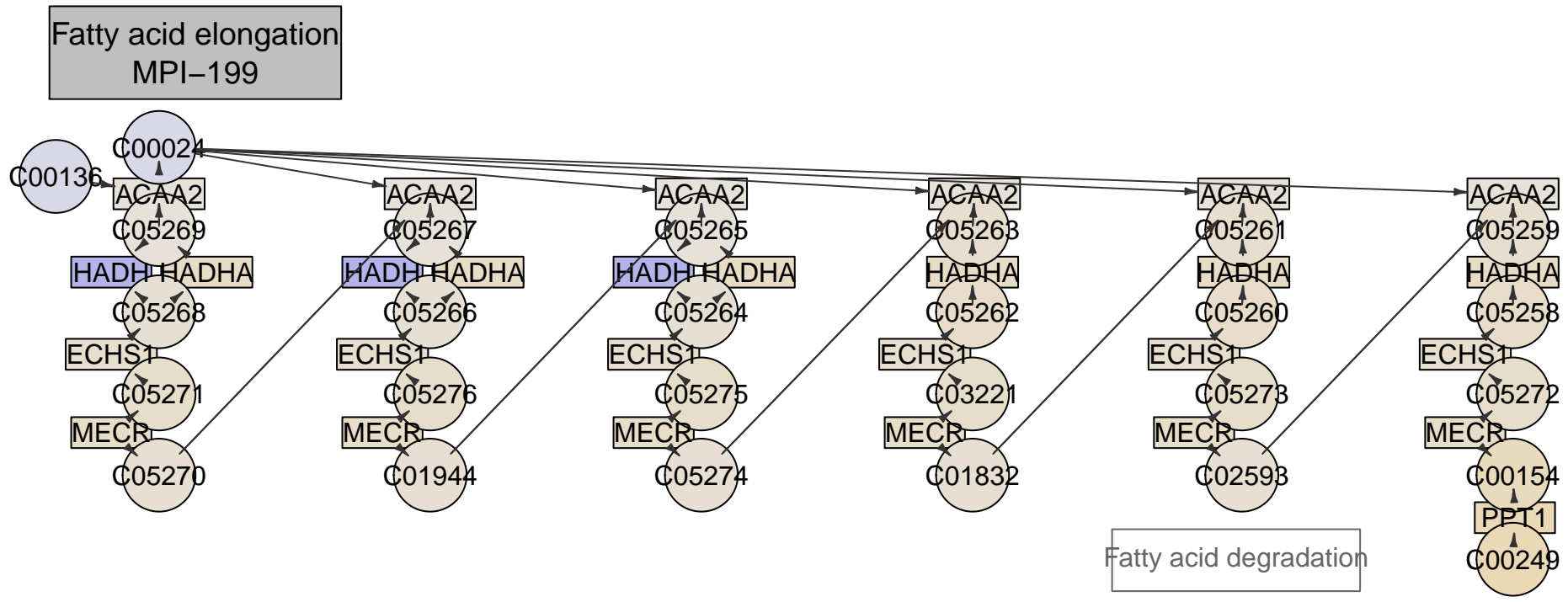


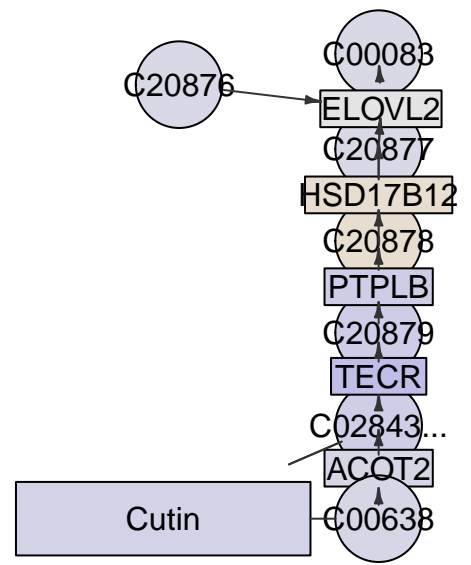
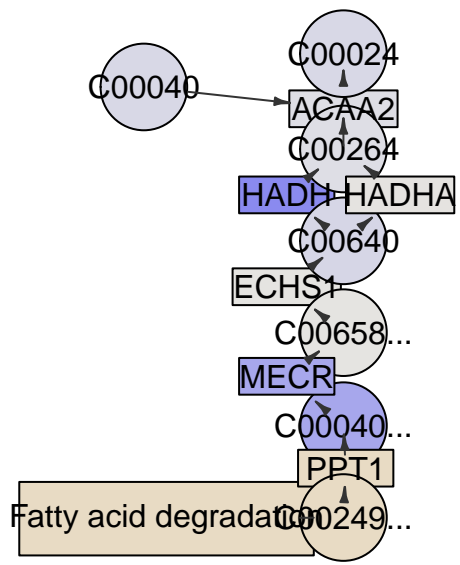
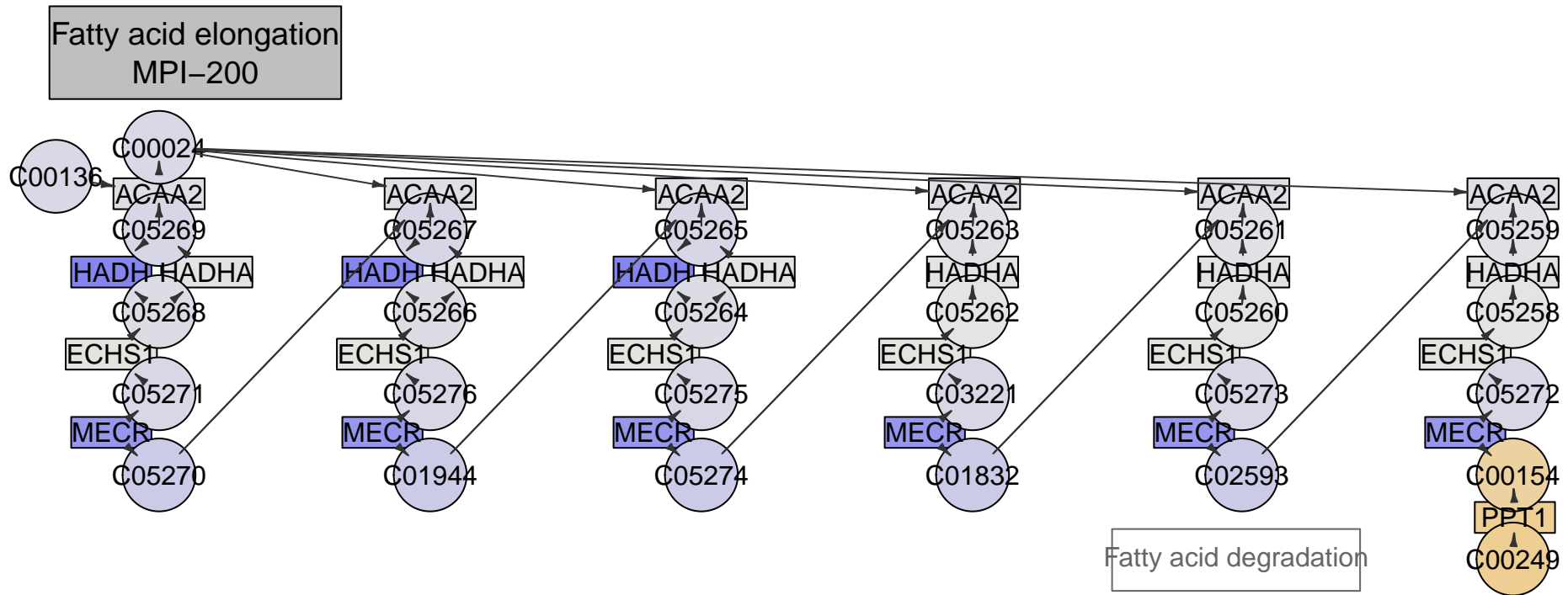


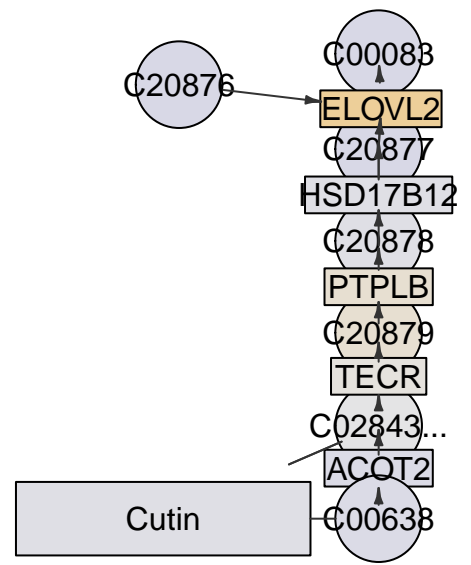
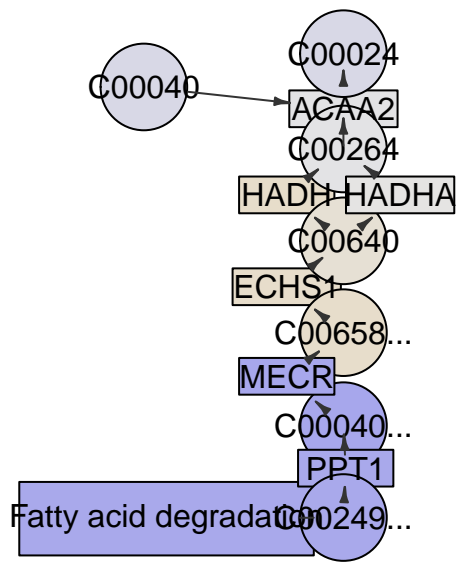
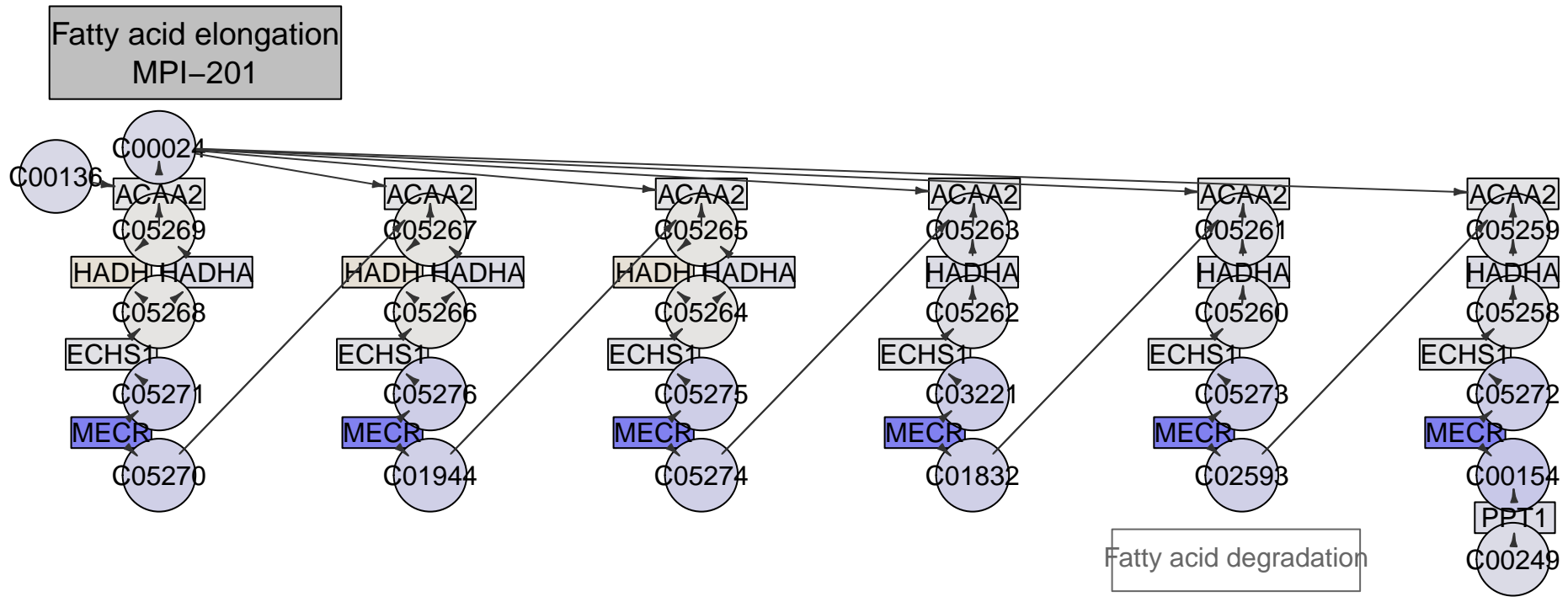


Fatty acid elongation
MPI-198

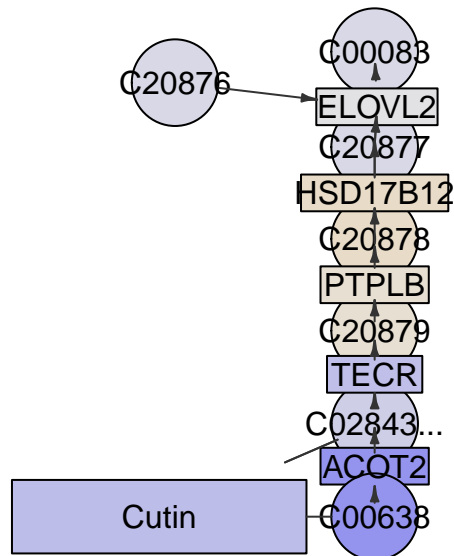
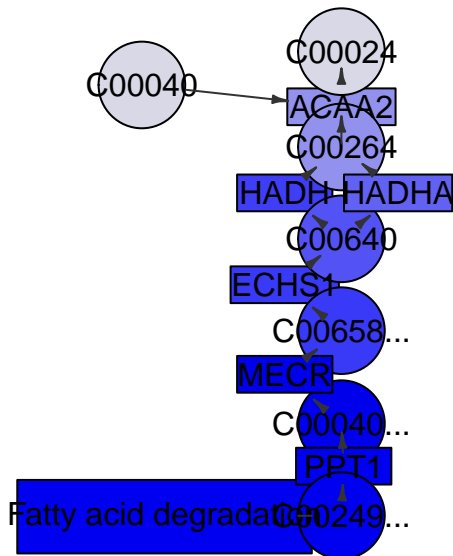
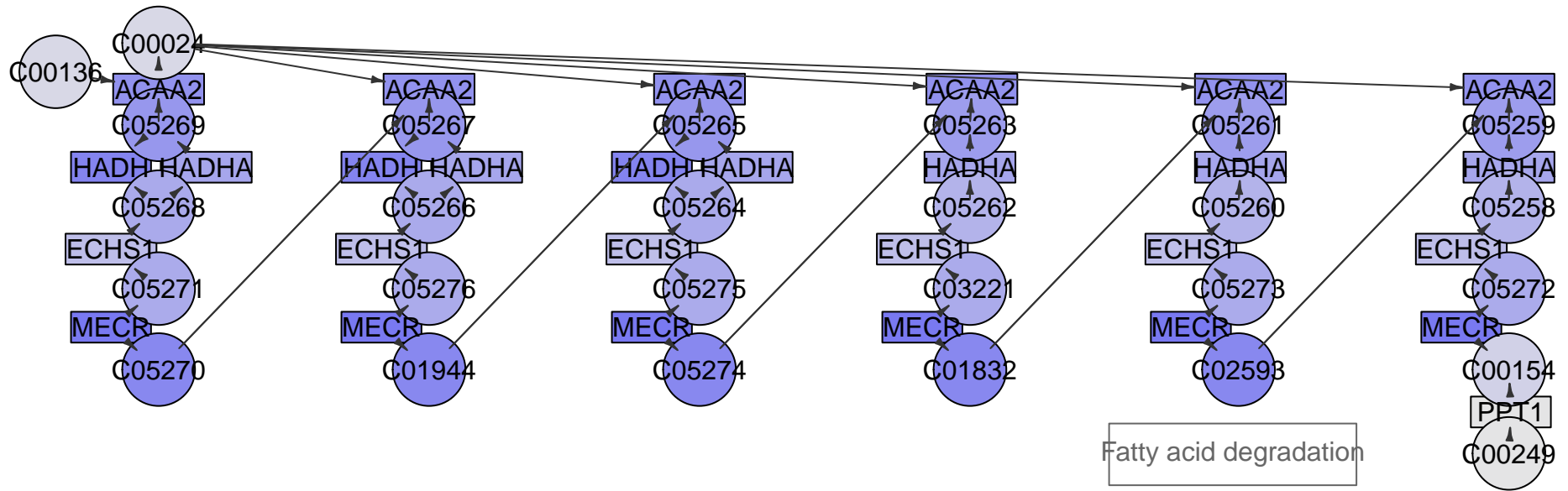




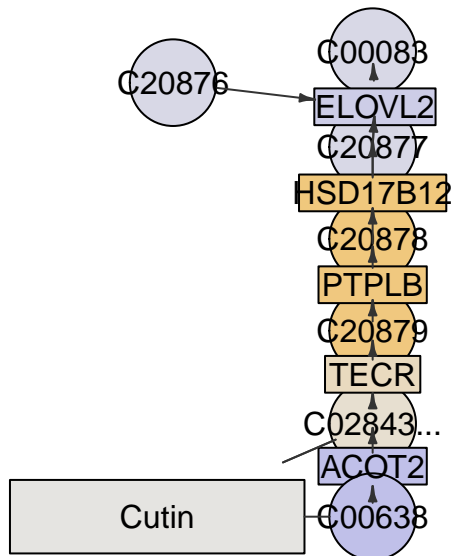
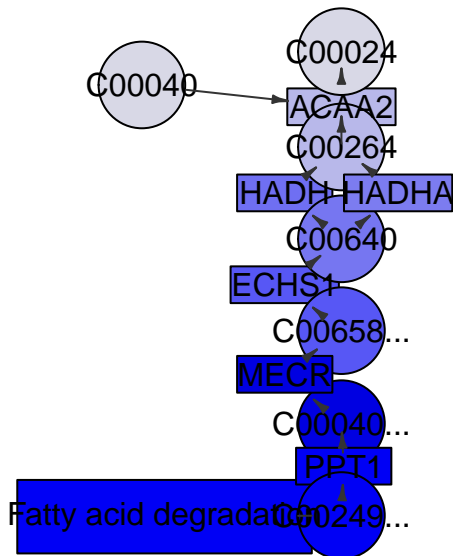
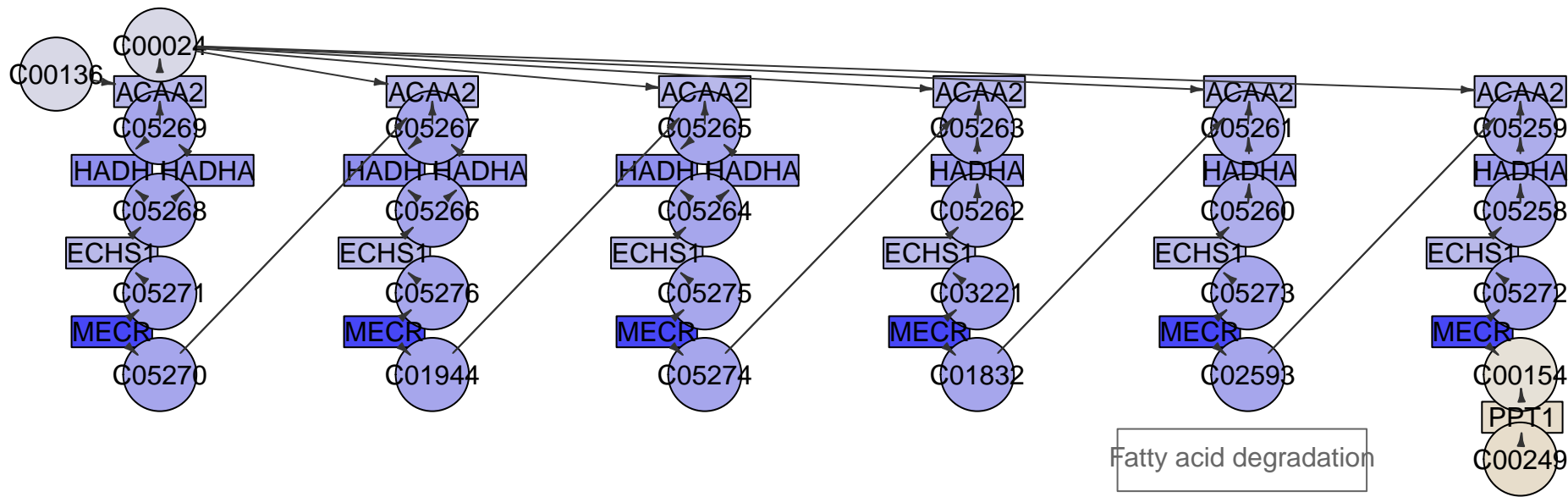


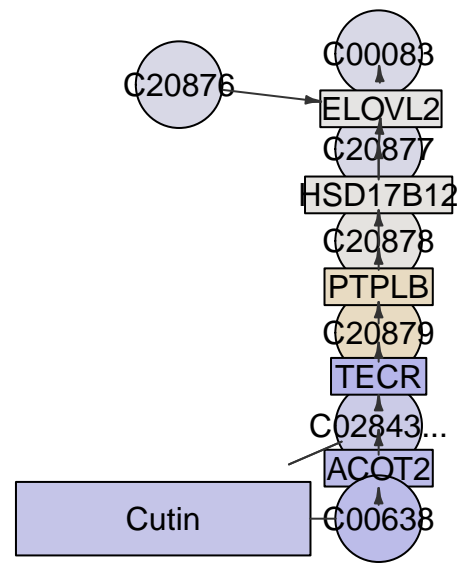
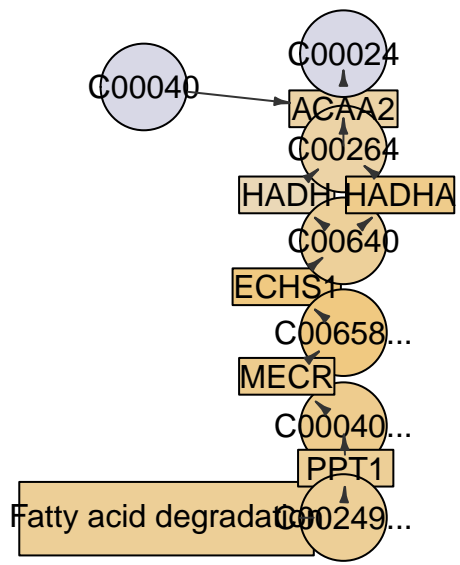
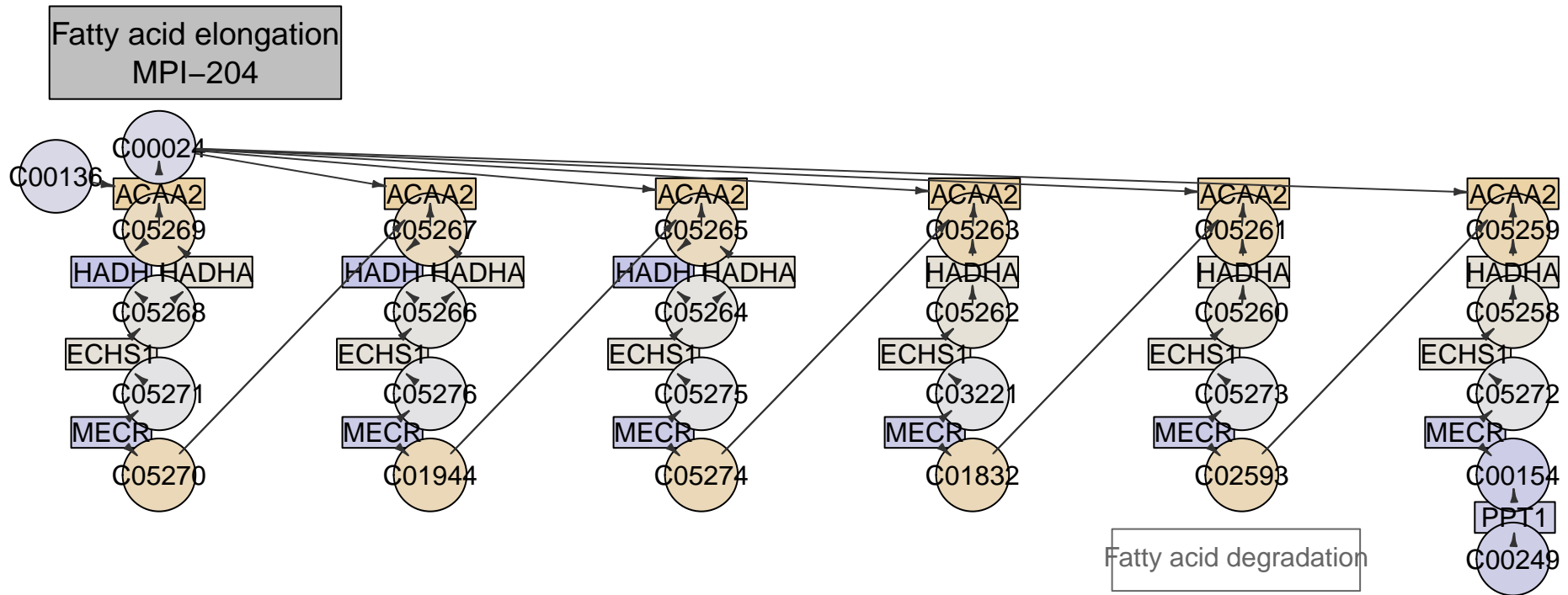


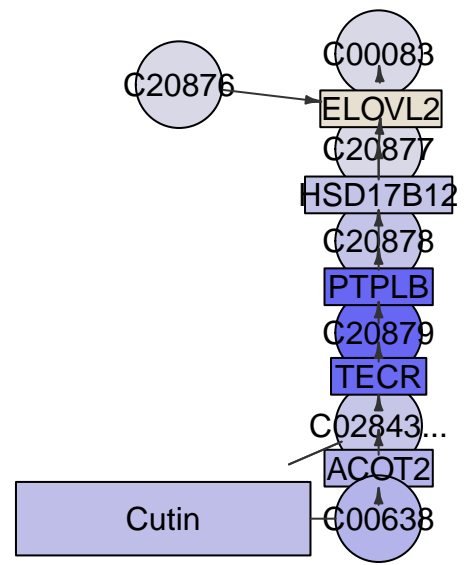
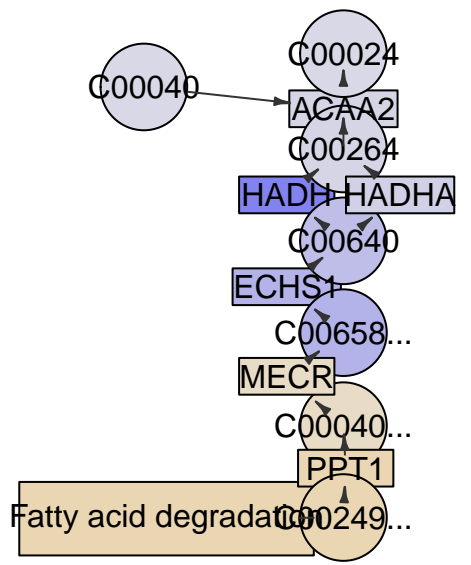
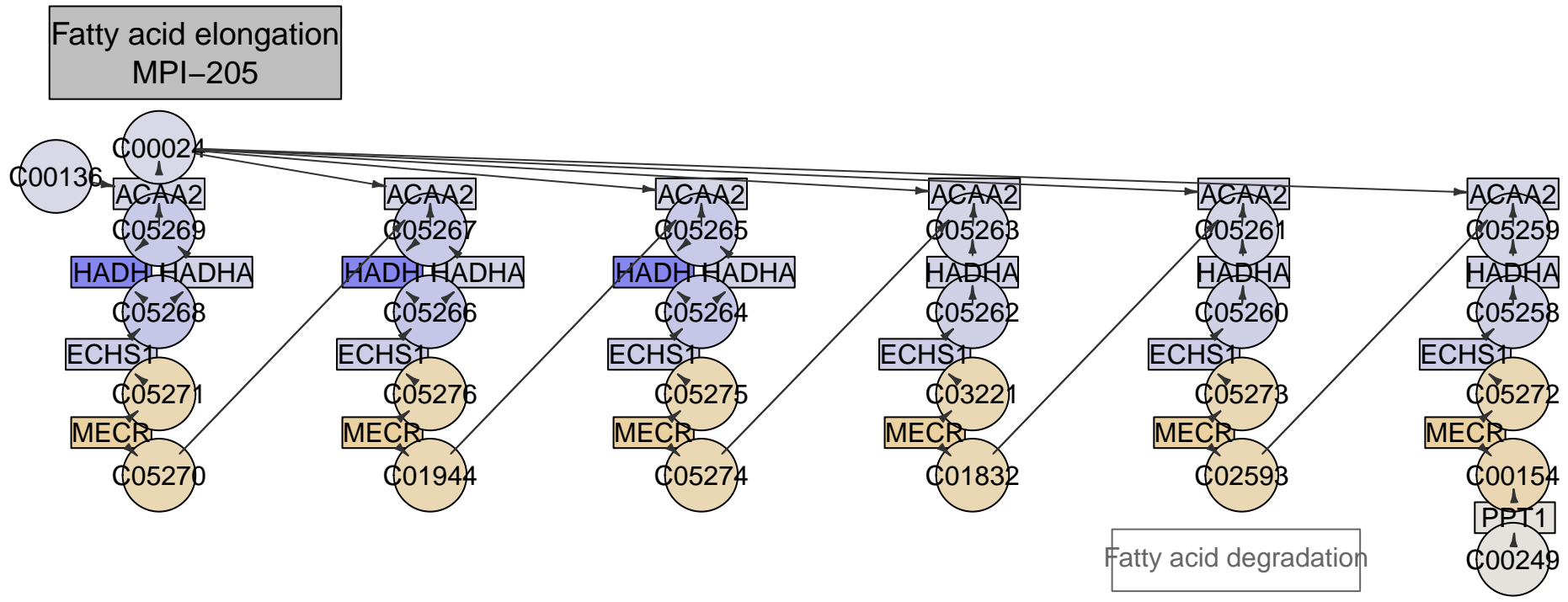
Fatty acid elongation
MPI-202

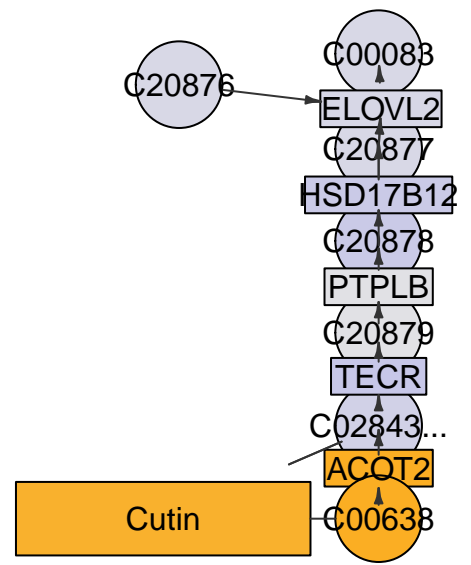
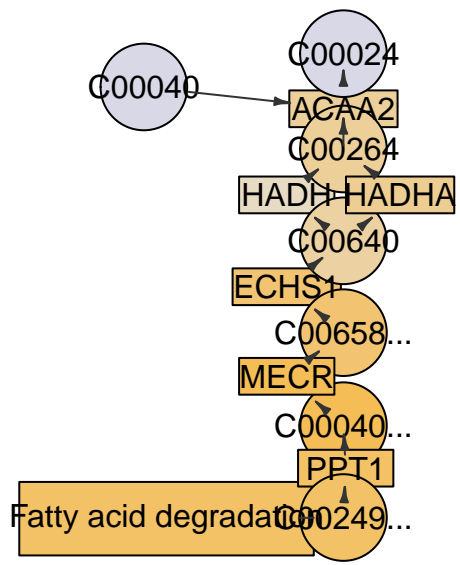
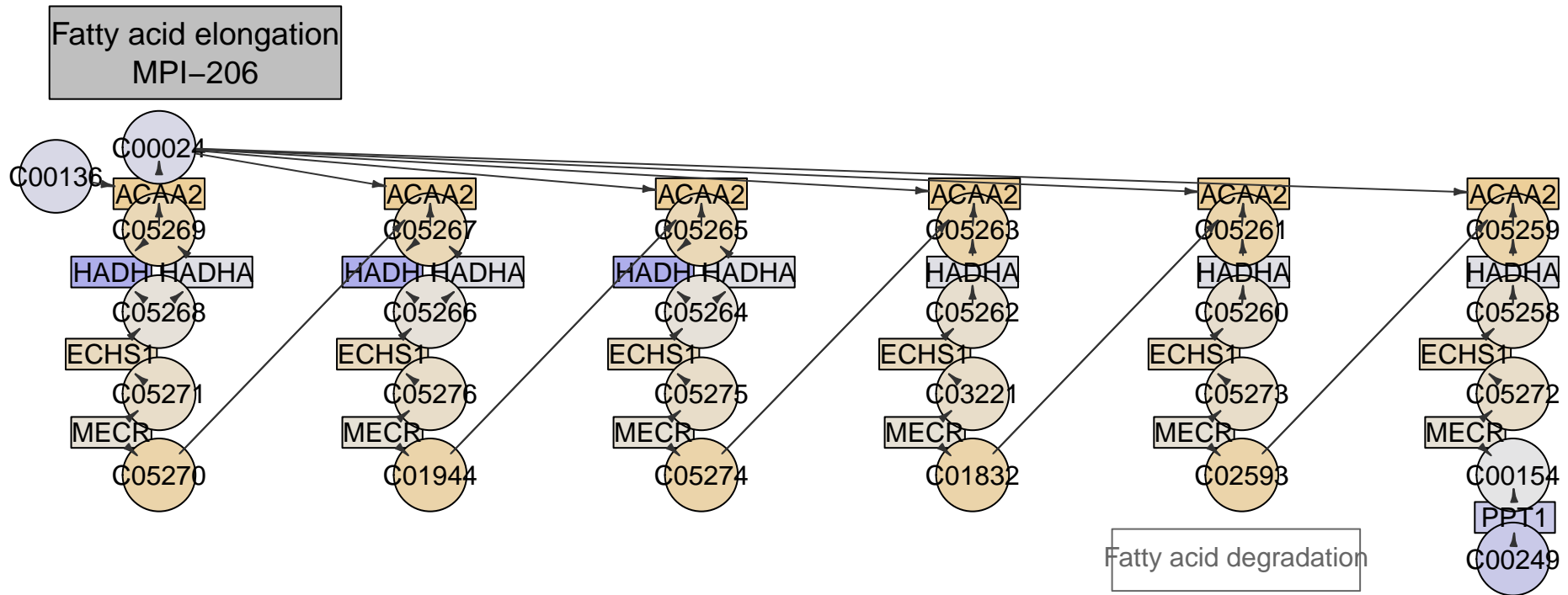


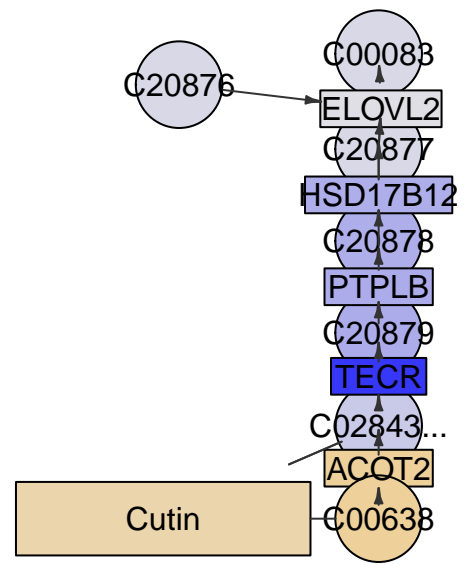
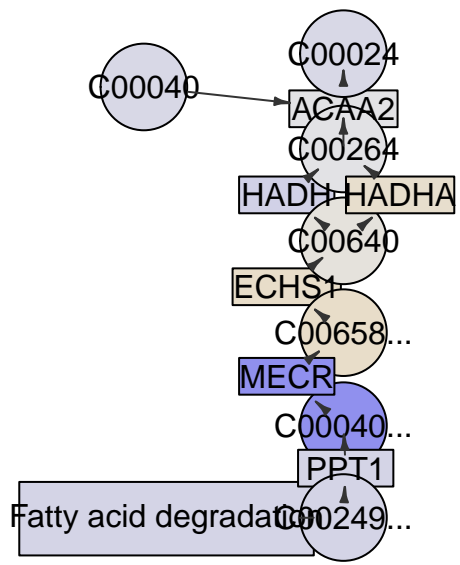
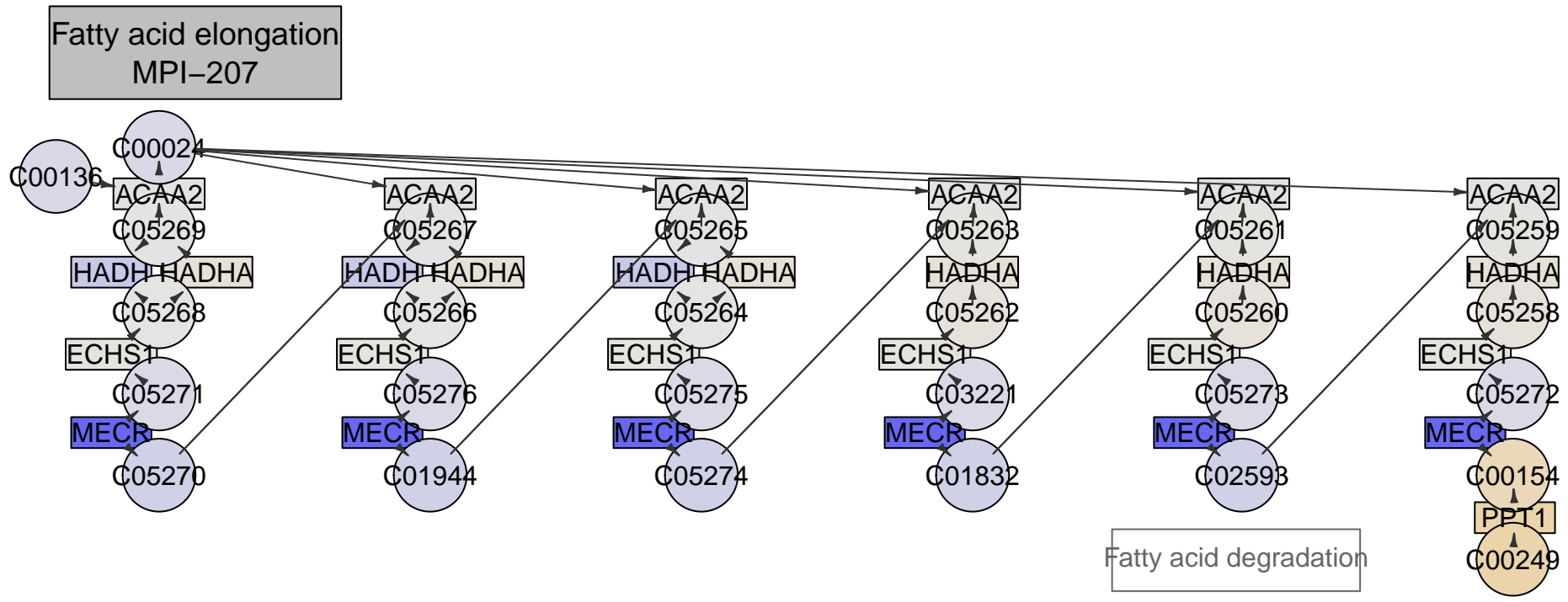
Fatty acid elongation
MPI-203

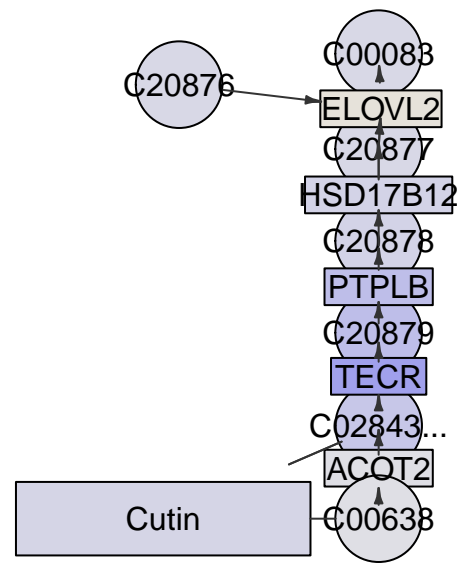
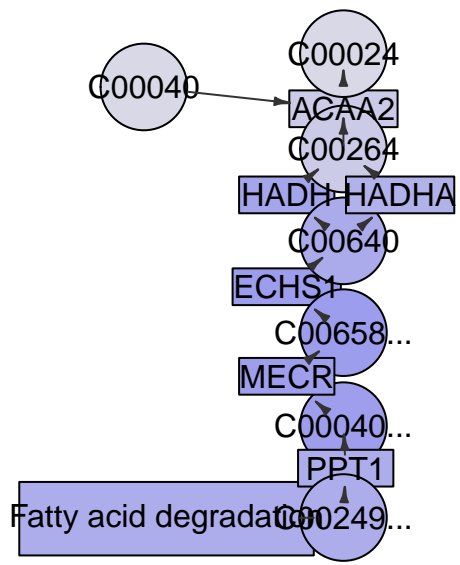
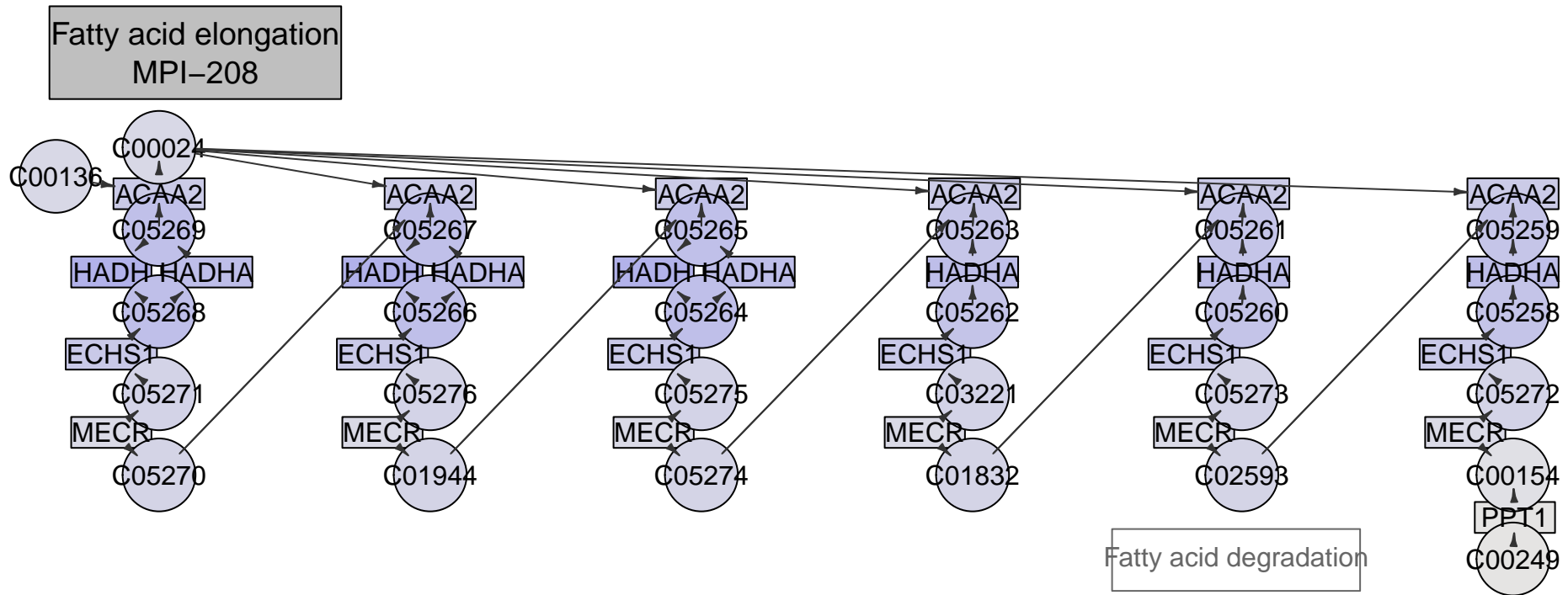


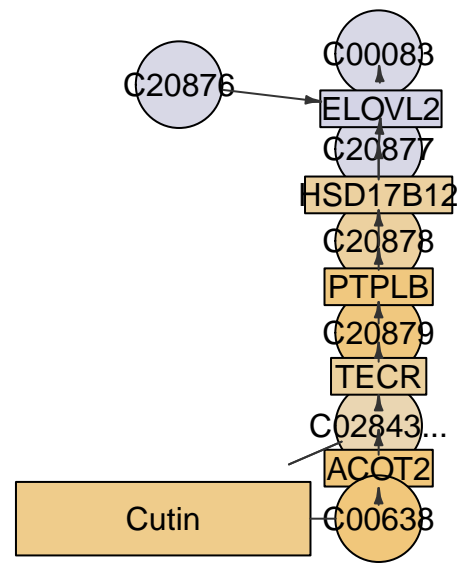
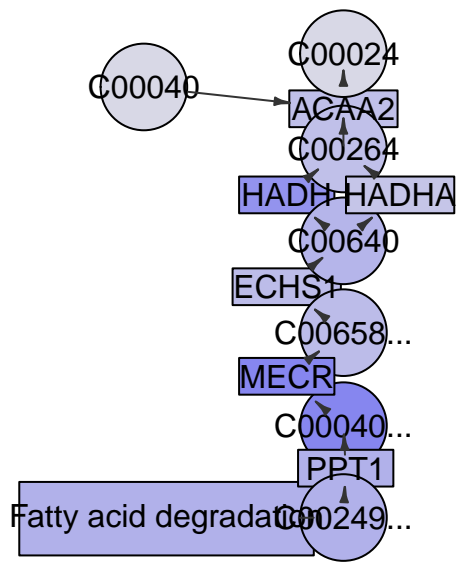
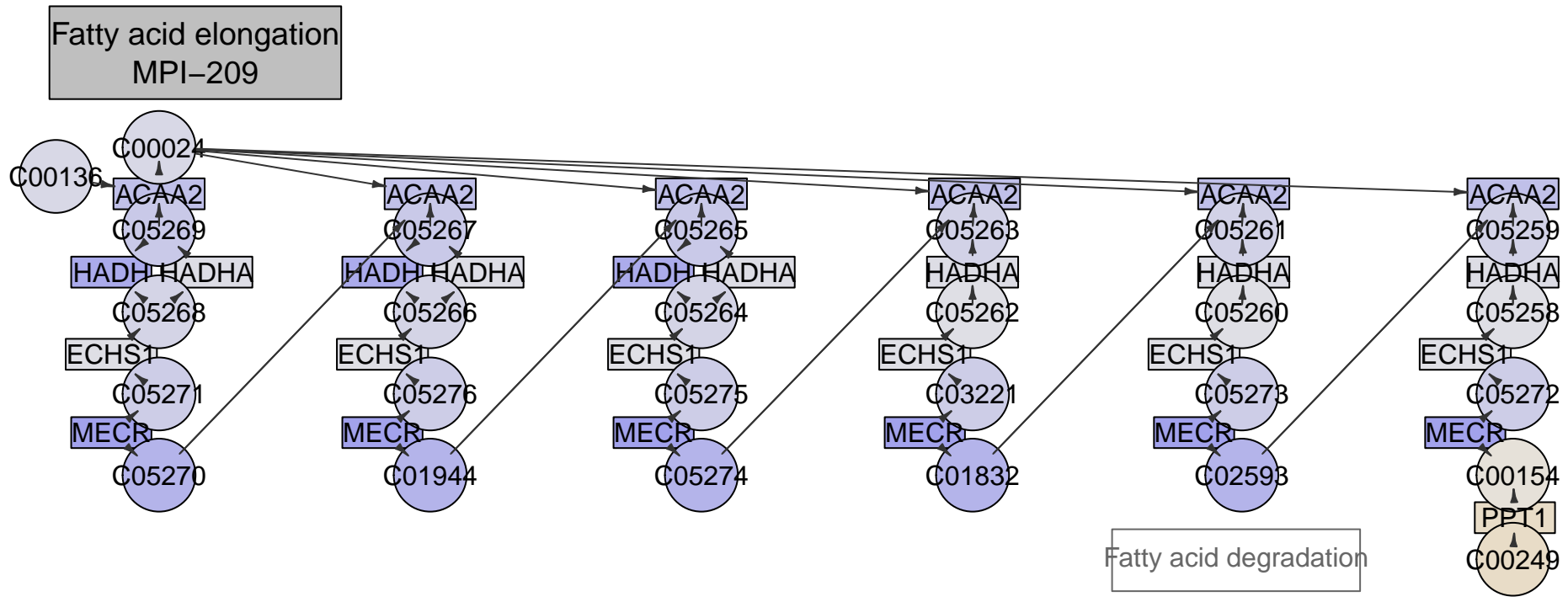




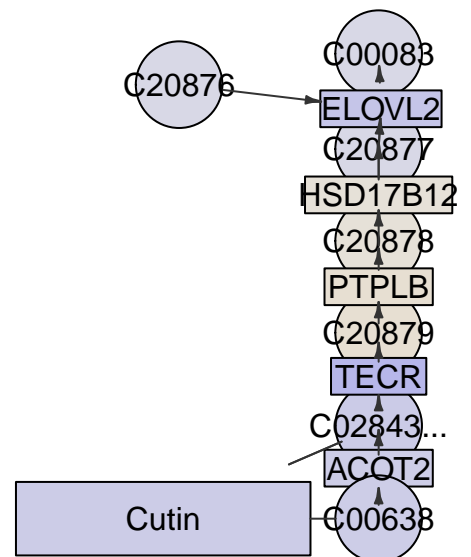
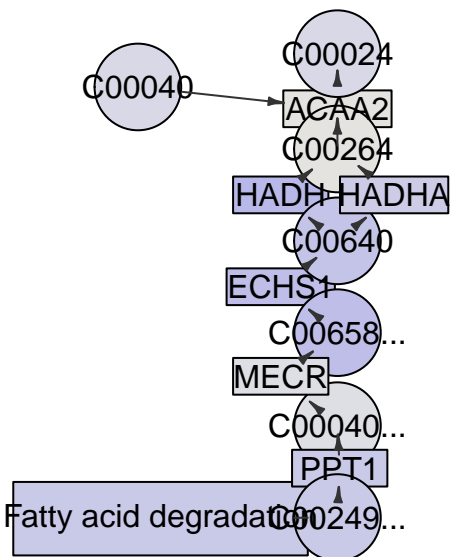
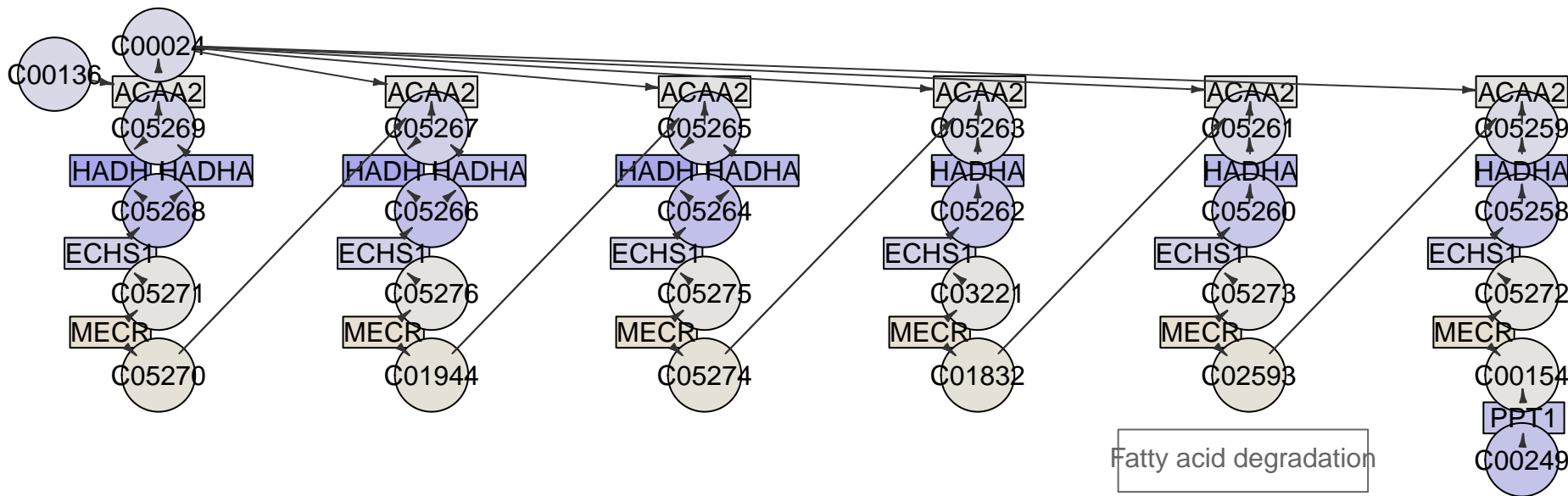


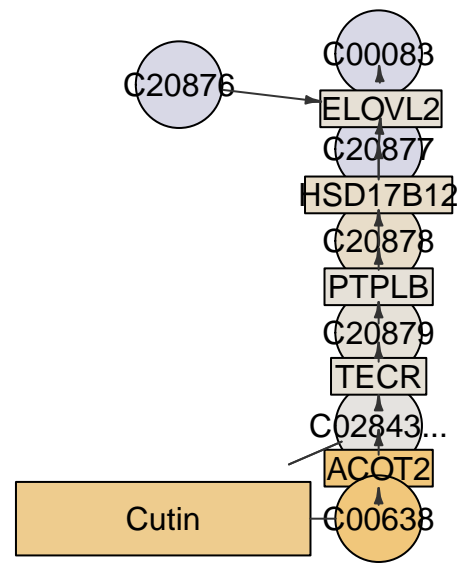
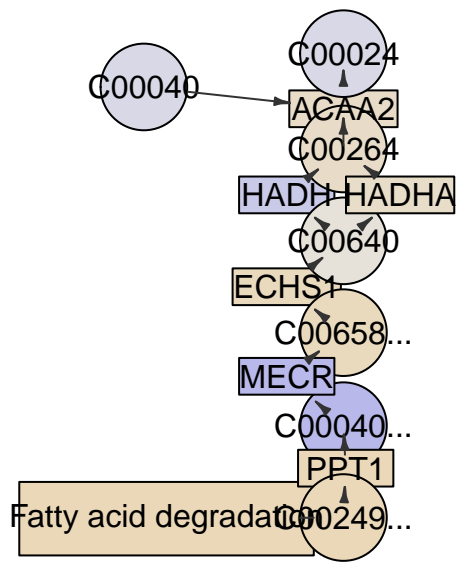
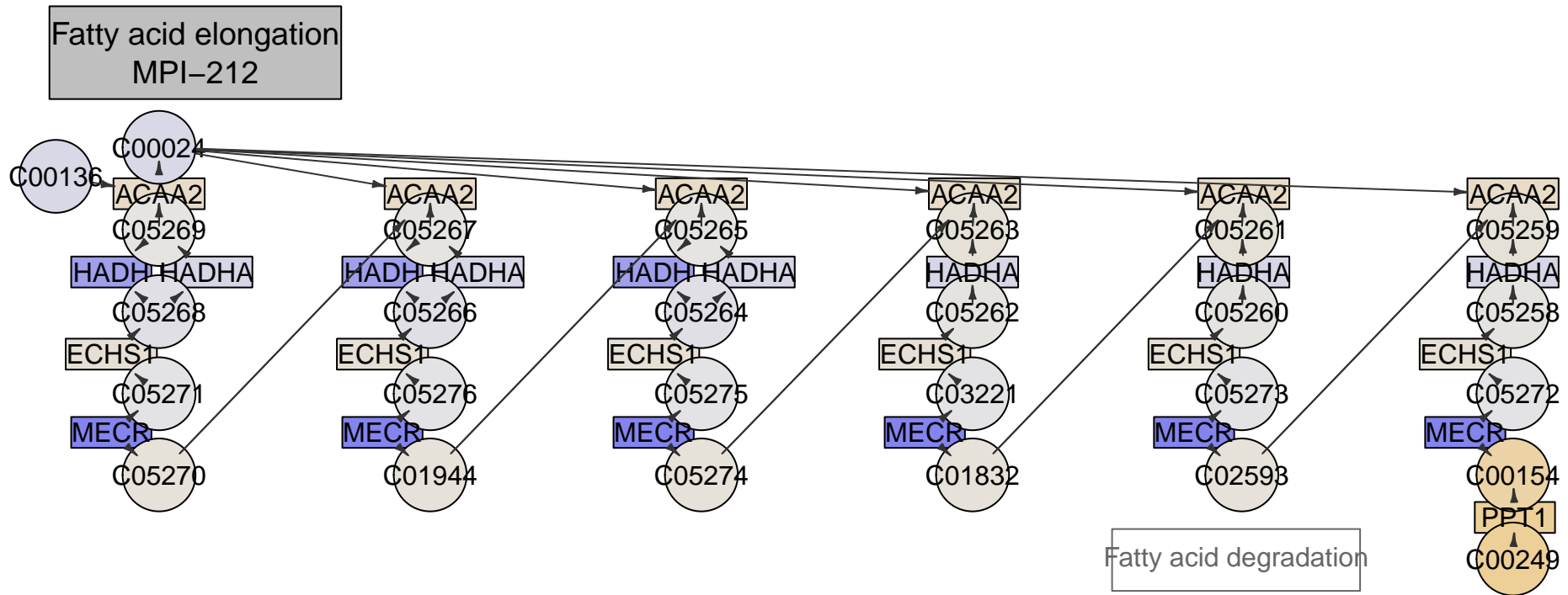


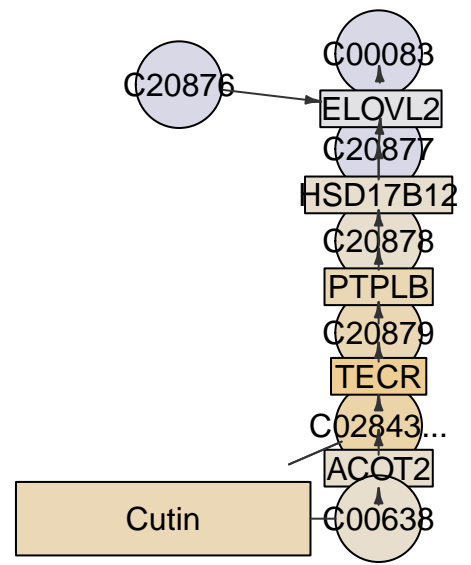
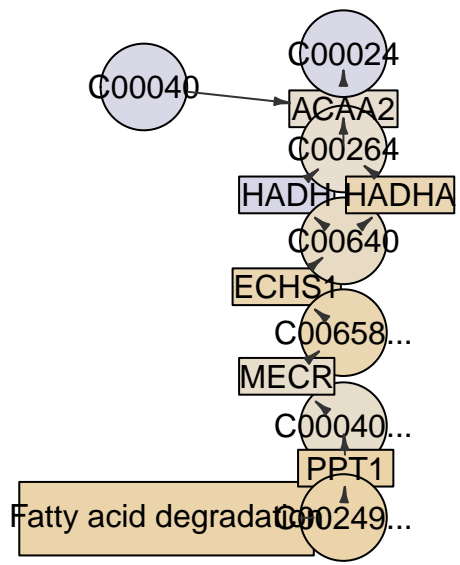
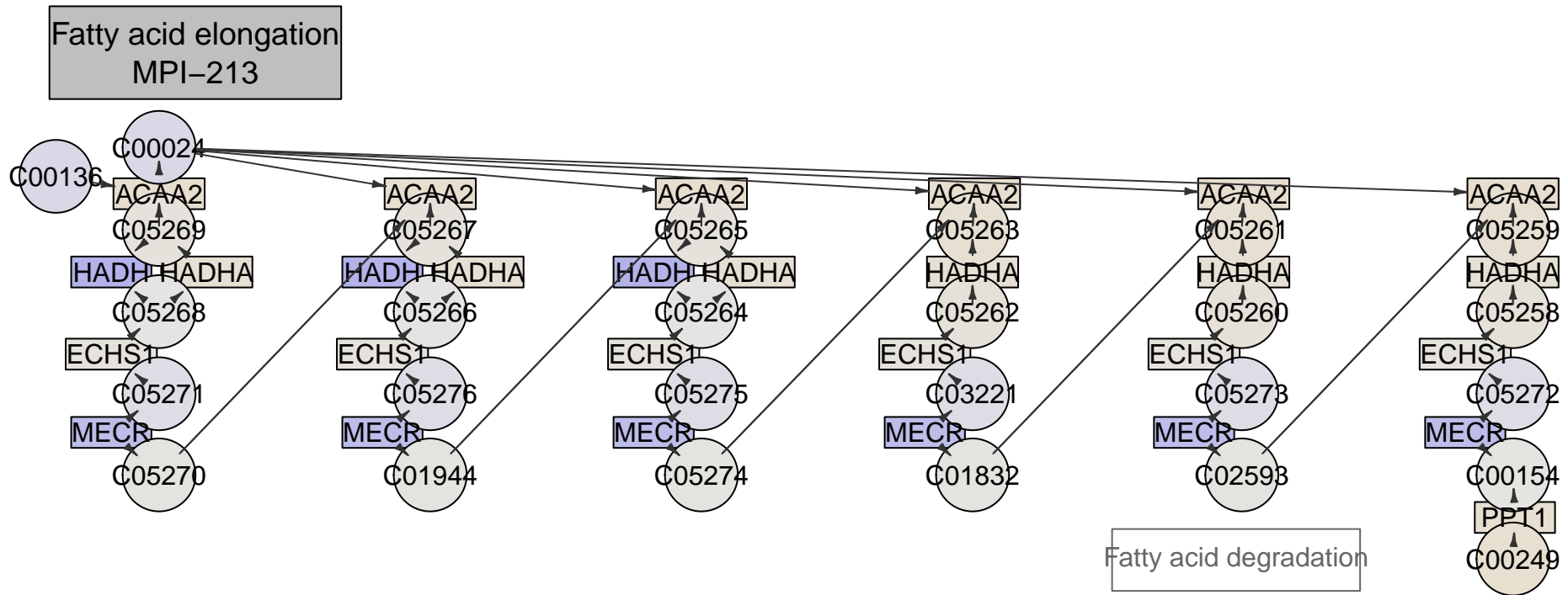


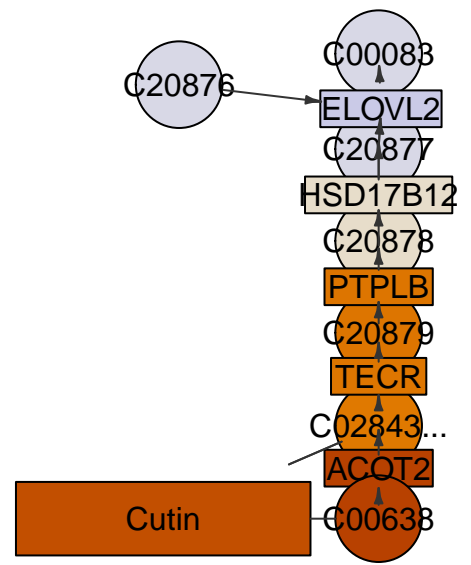
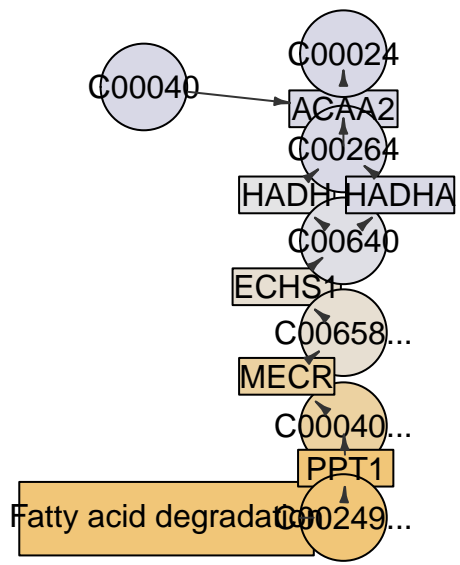
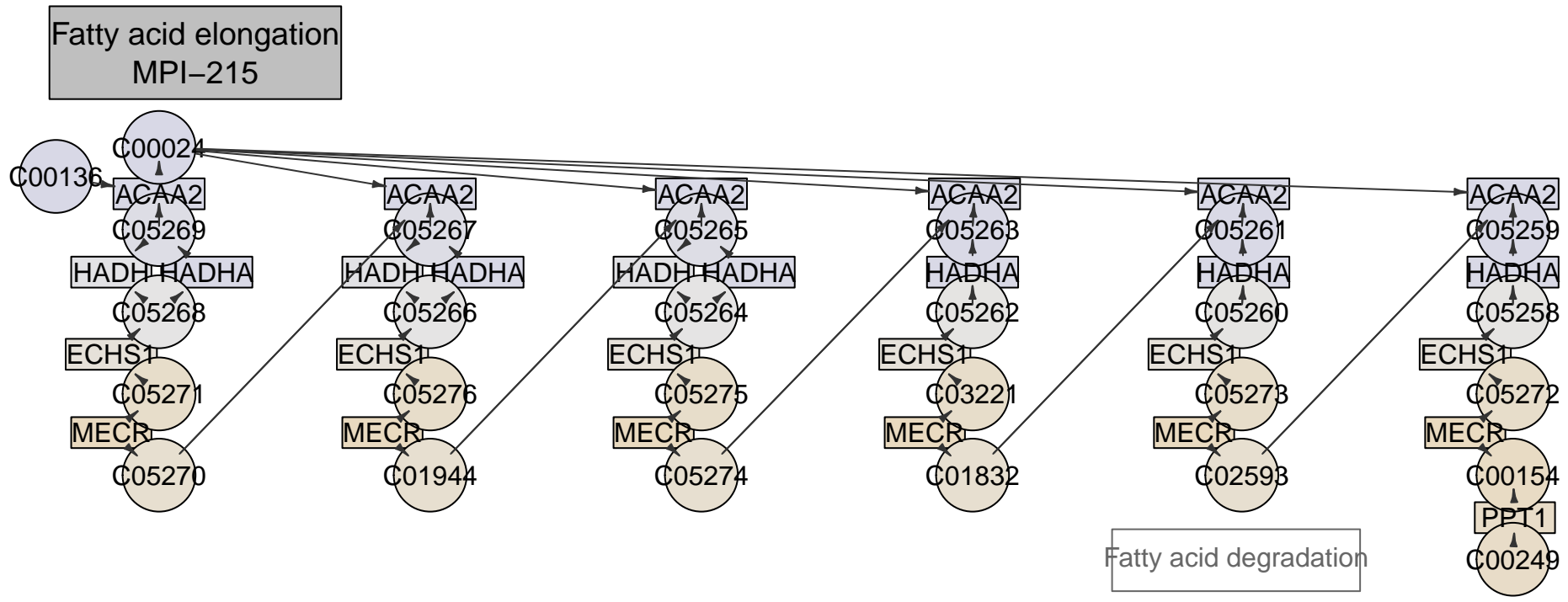


Fatty acid elongation
MPI-210

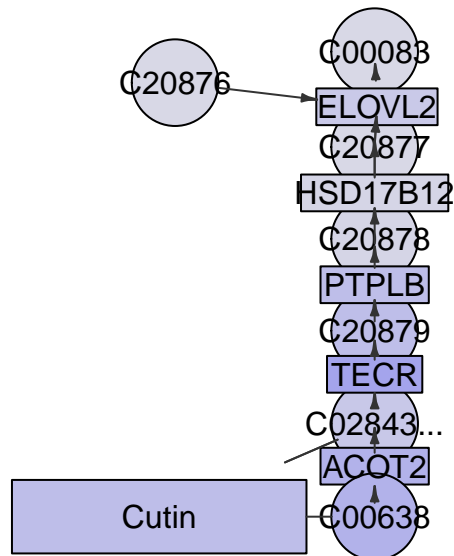
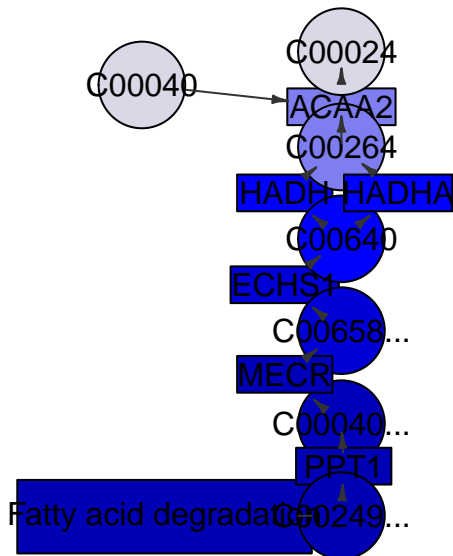
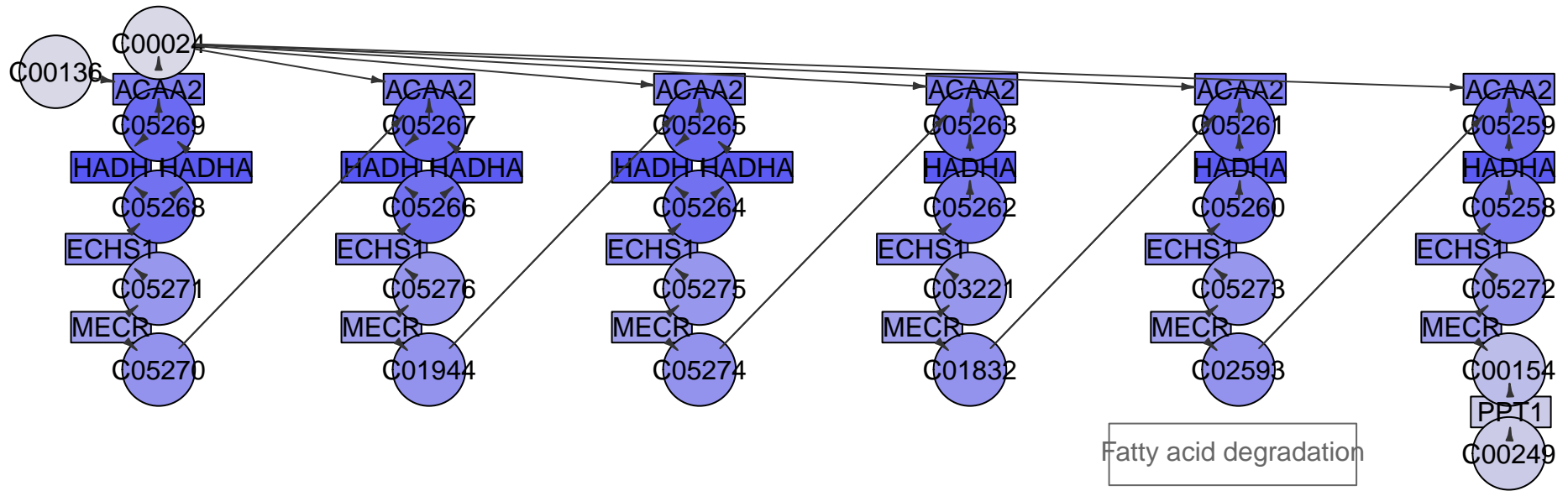




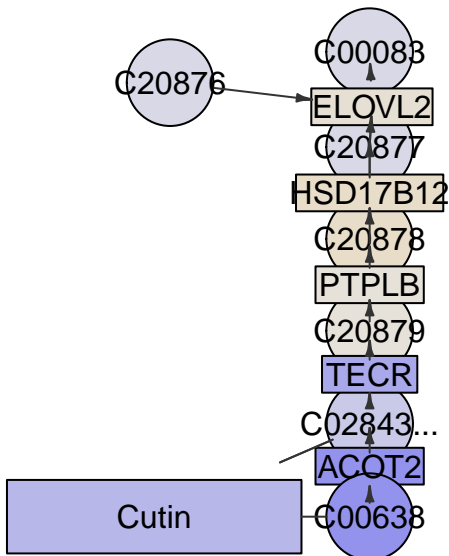
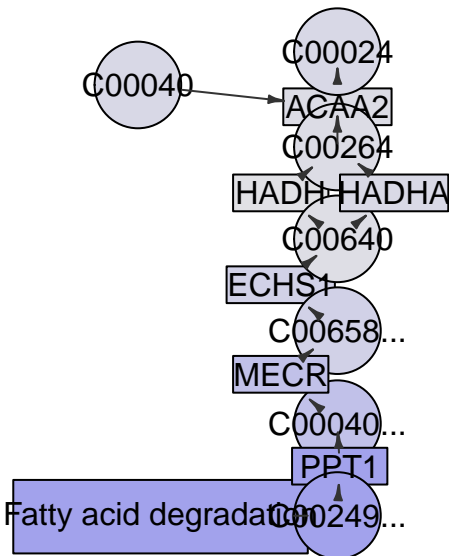
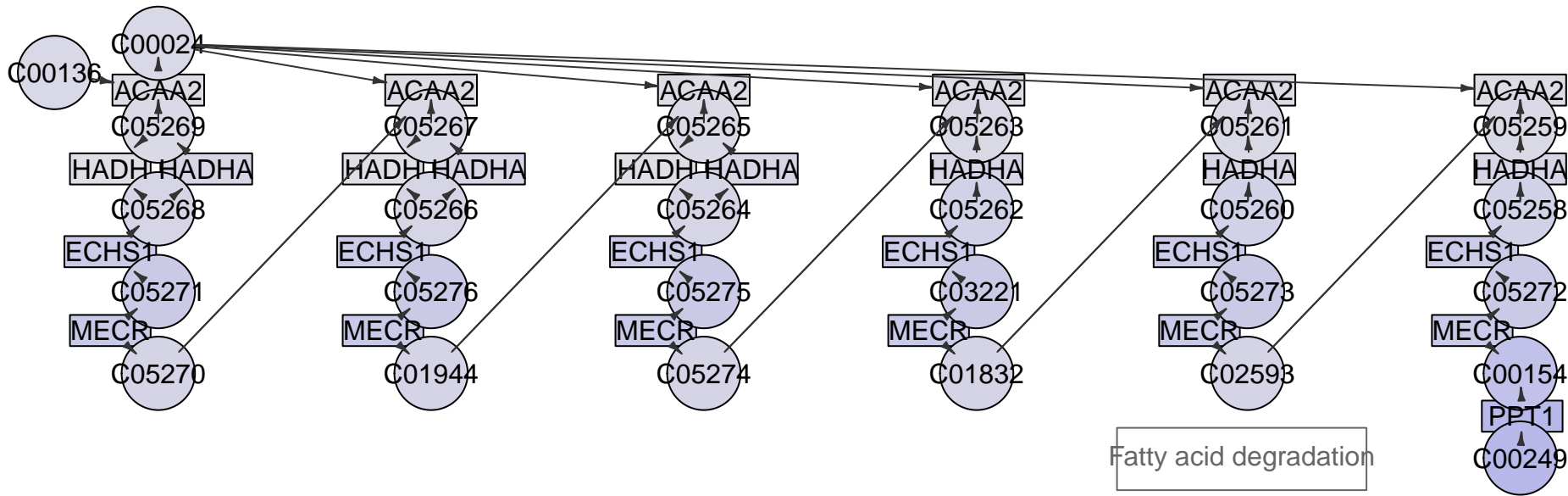


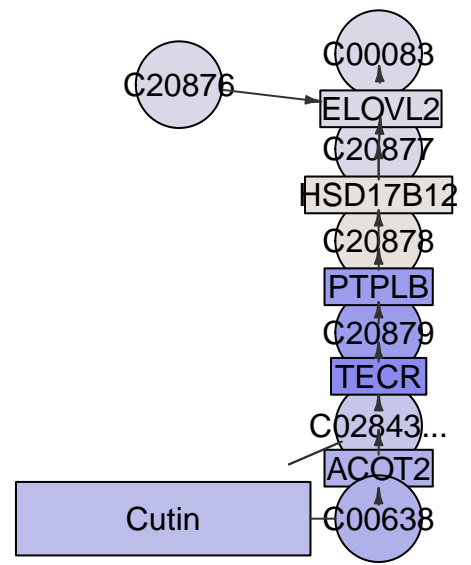
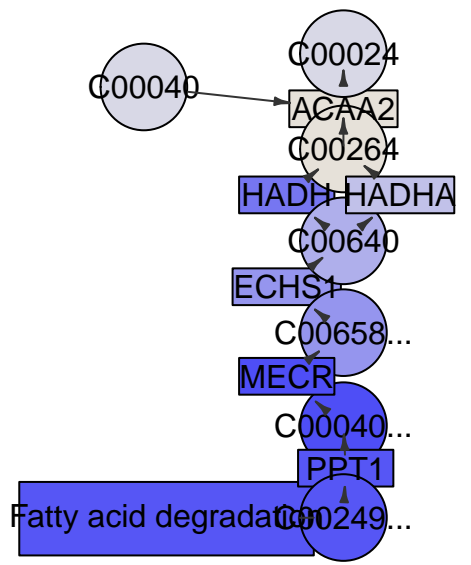
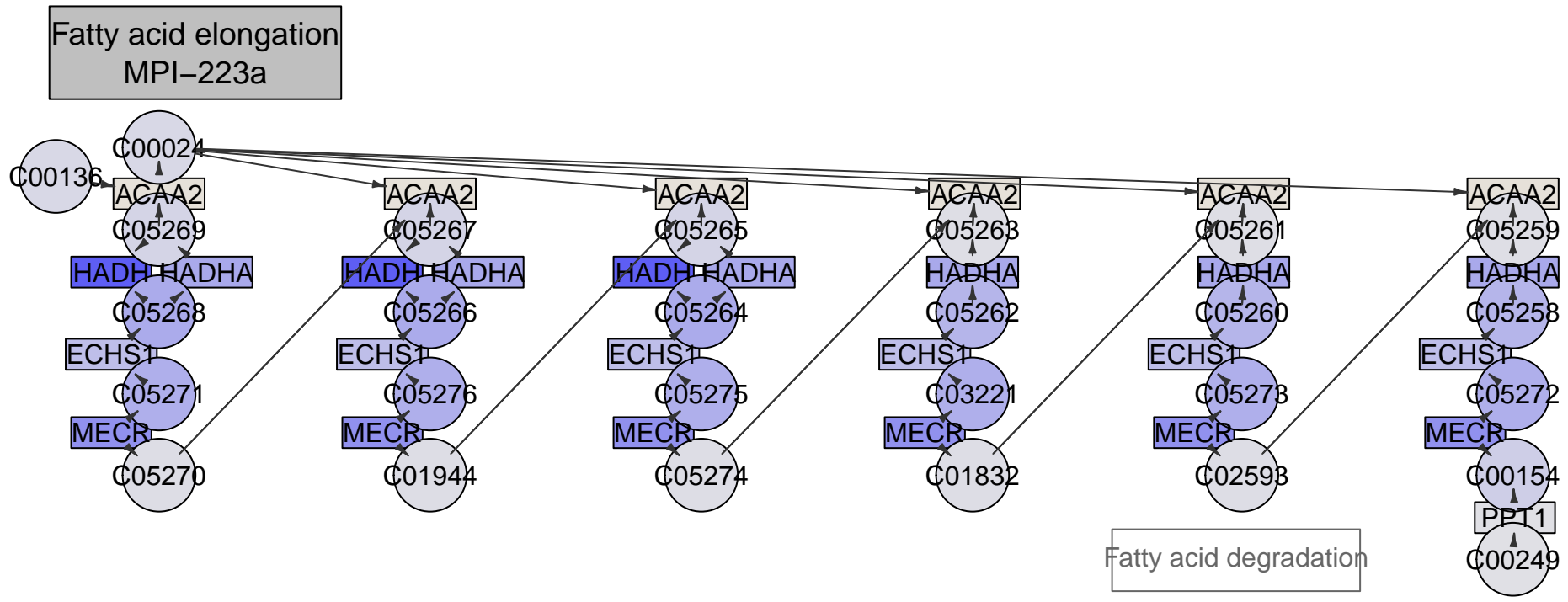


Fatty acid elongation
MPI-219

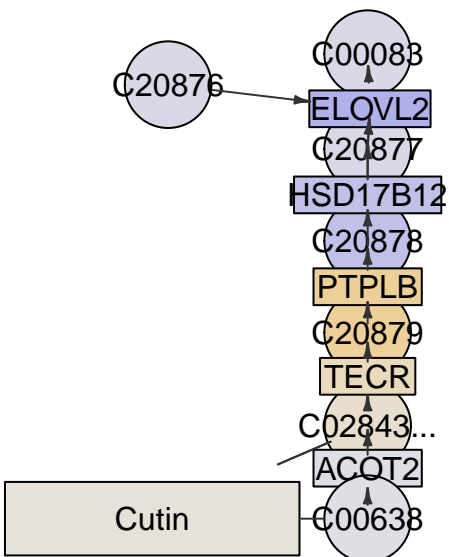
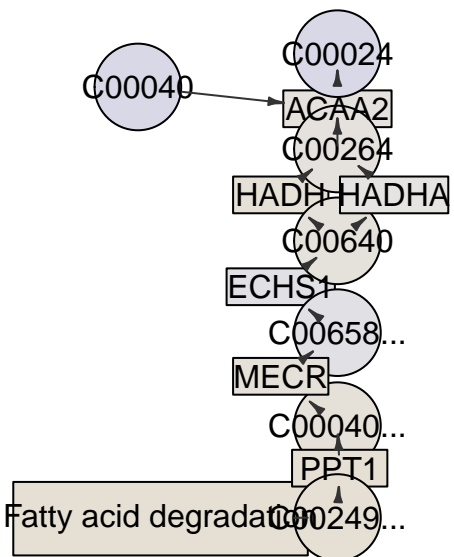
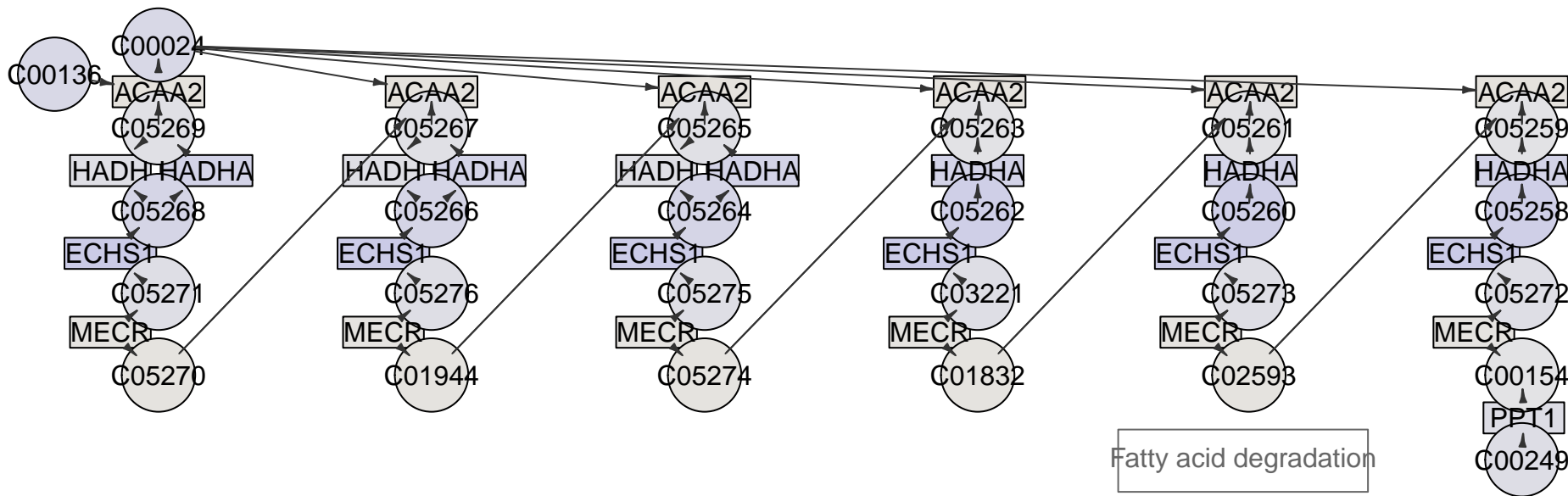


Fatty acid elongation
MPI-221

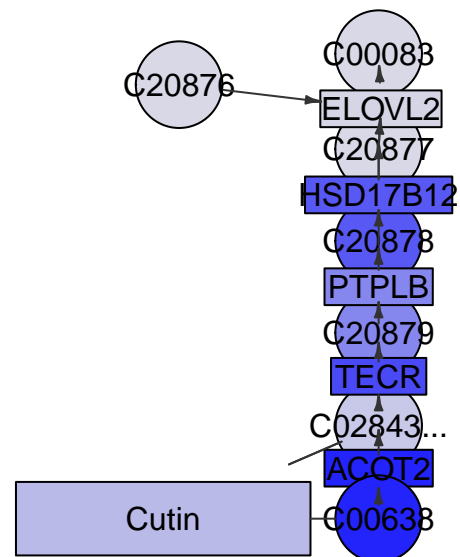
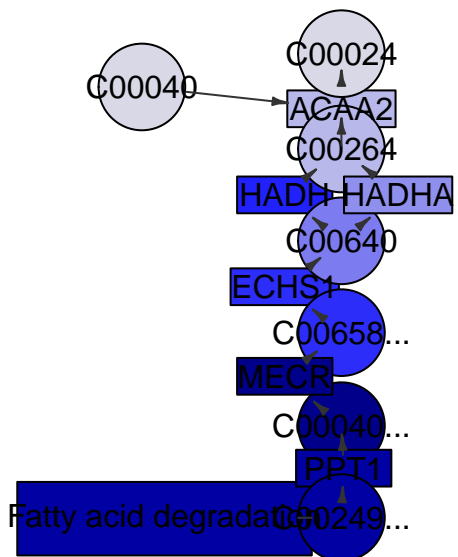
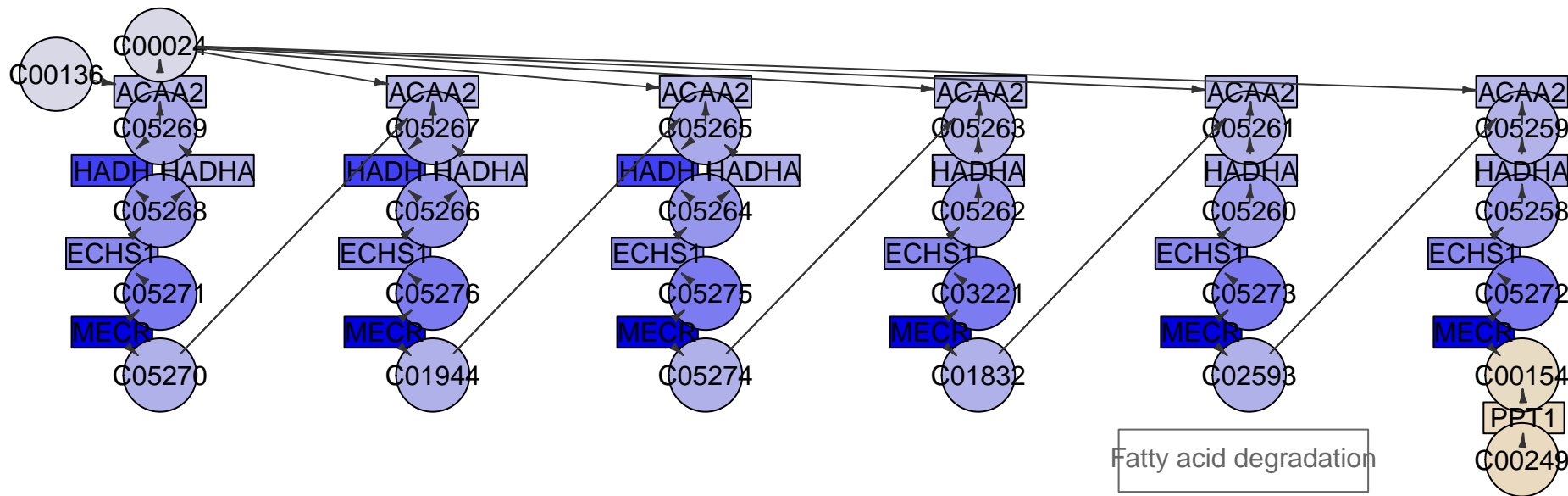


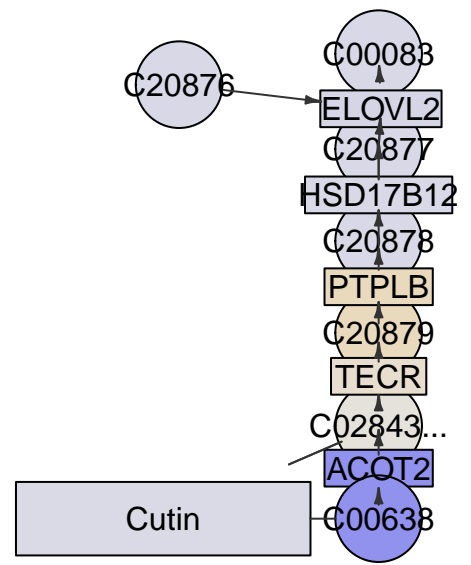
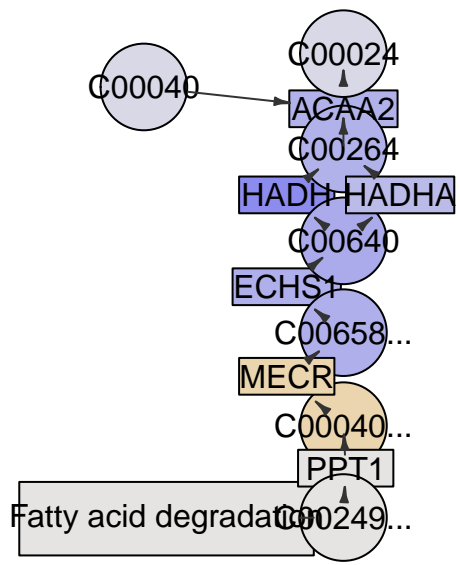
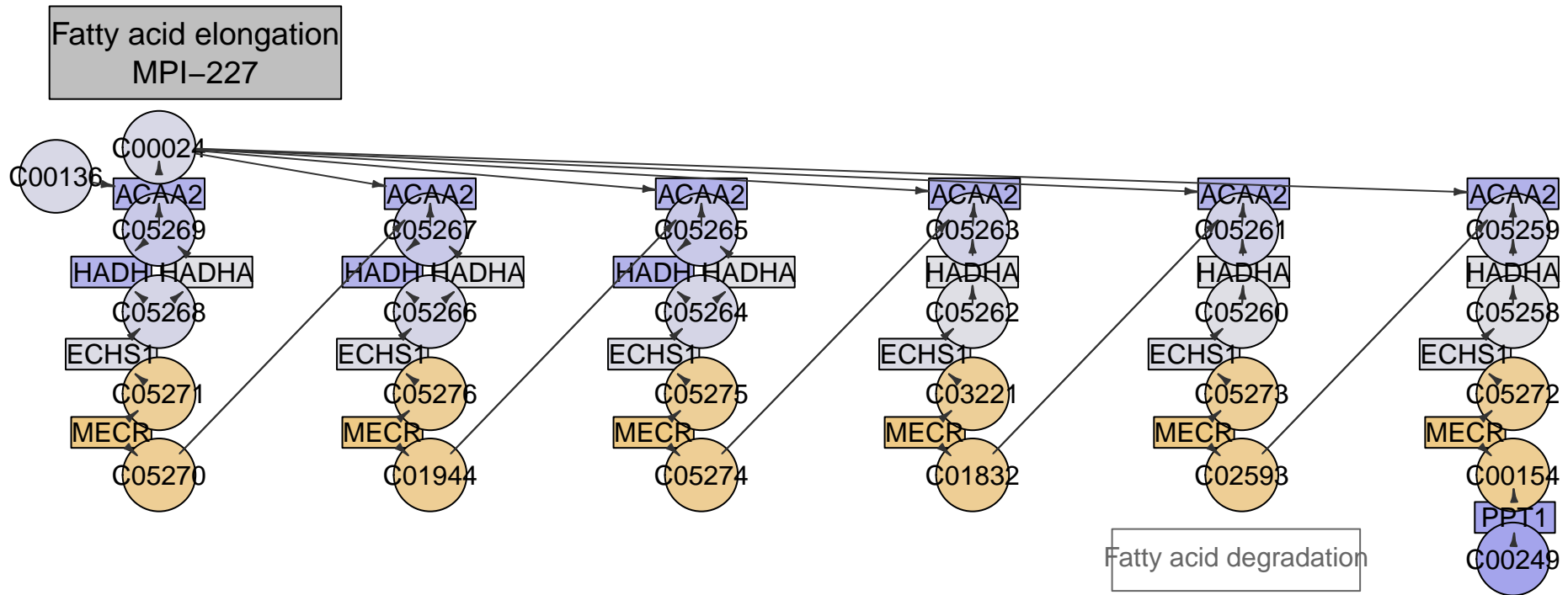


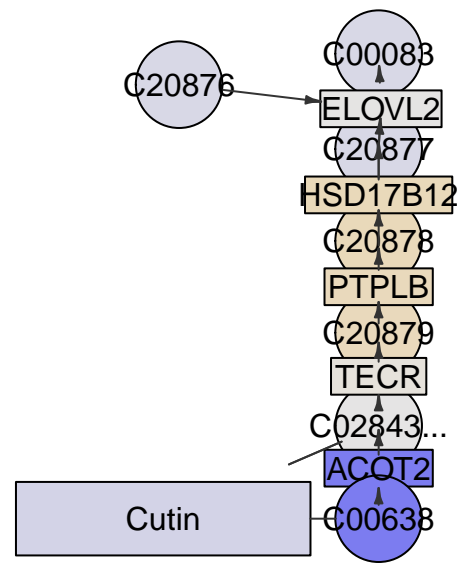
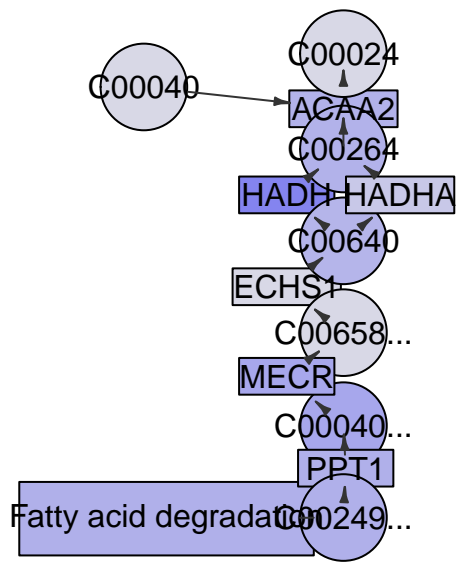
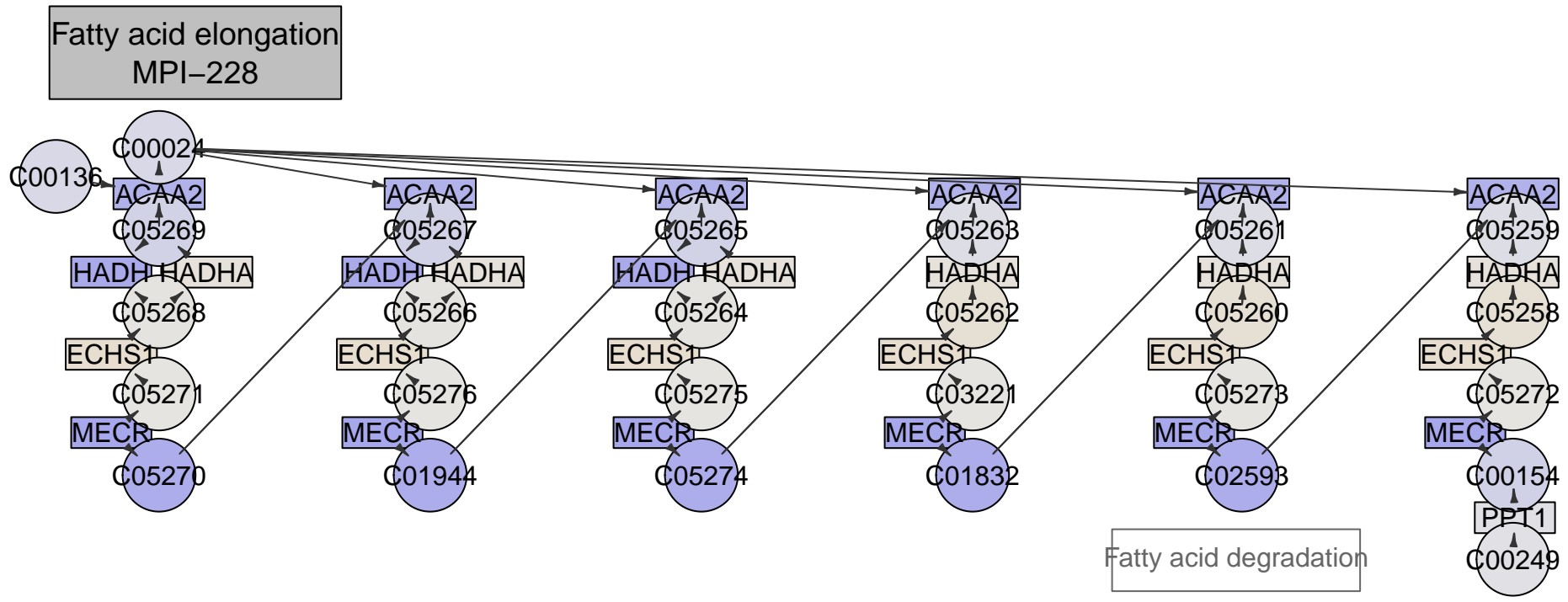
Fatty acid elongation
MPI-224



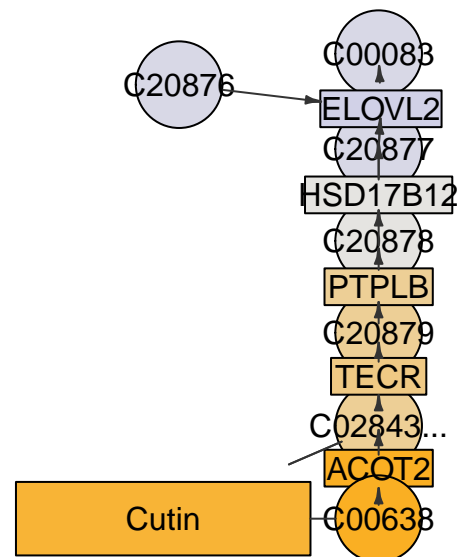
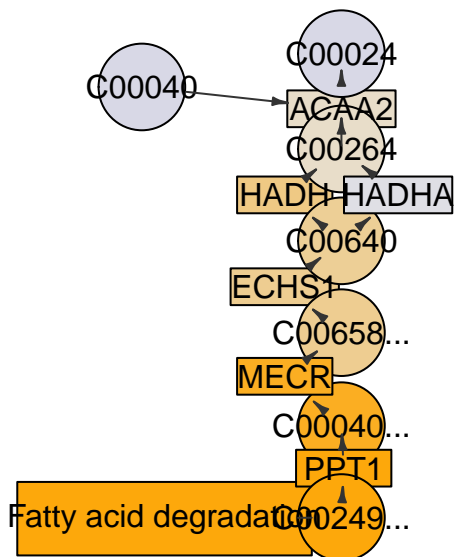
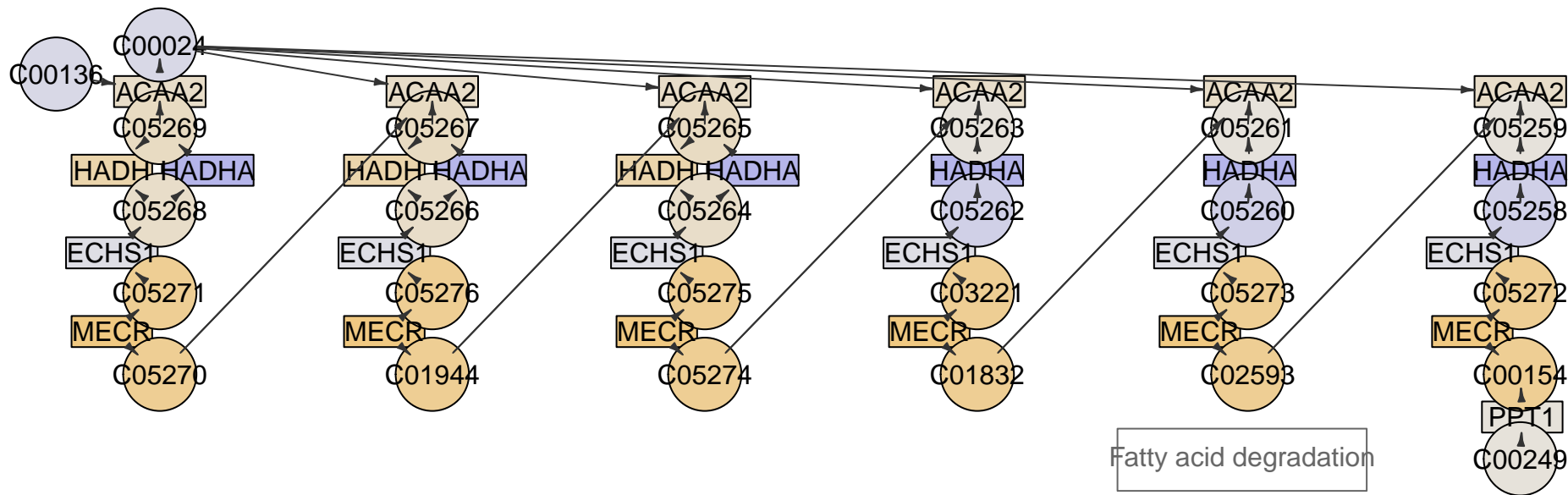
Fatty acid elongation
MPI-226







Fatty acid elongation
MPI-230



Fatty acid elongation
MPI-231

