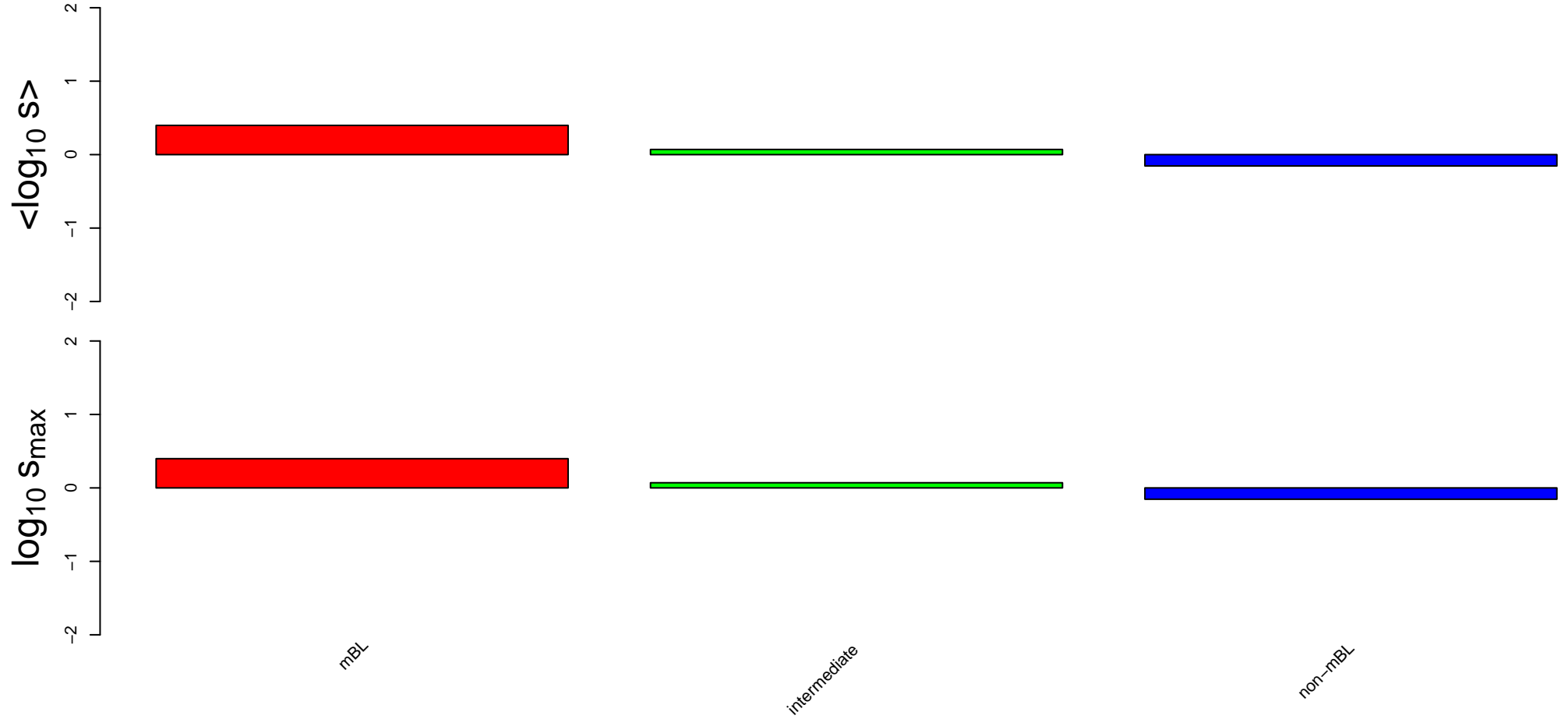
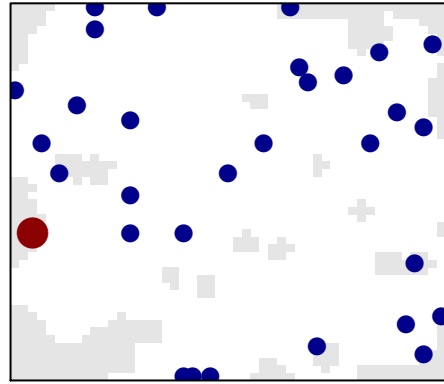


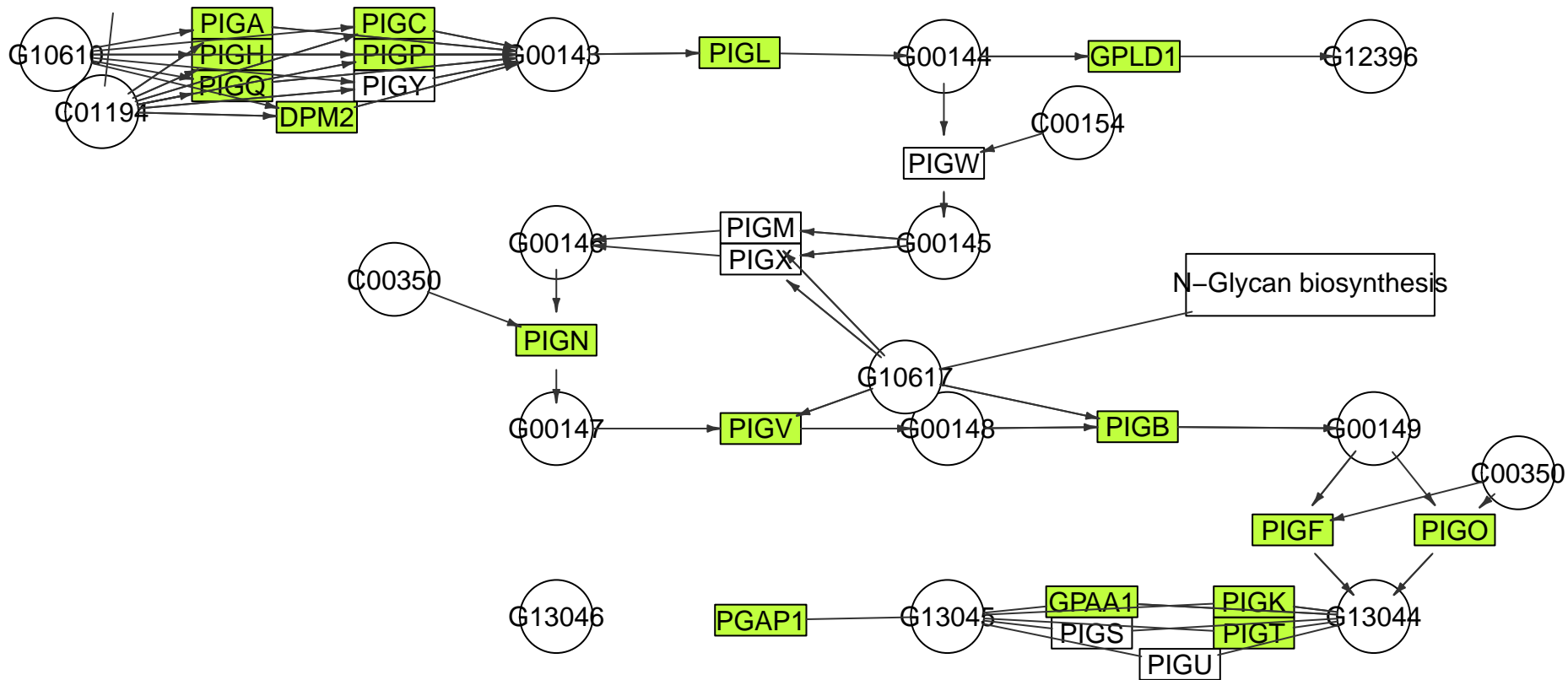
Glycosylphosphatidylinositol(GPI)-a

all genes



Glycosylphosphatidylinositol(GPI)-anchor
biosynthesis
(genes with data)

Glycerophospholipid
metabolism



PIGK

PIGO

PIGG

PIGN

PIGZ

PIGB

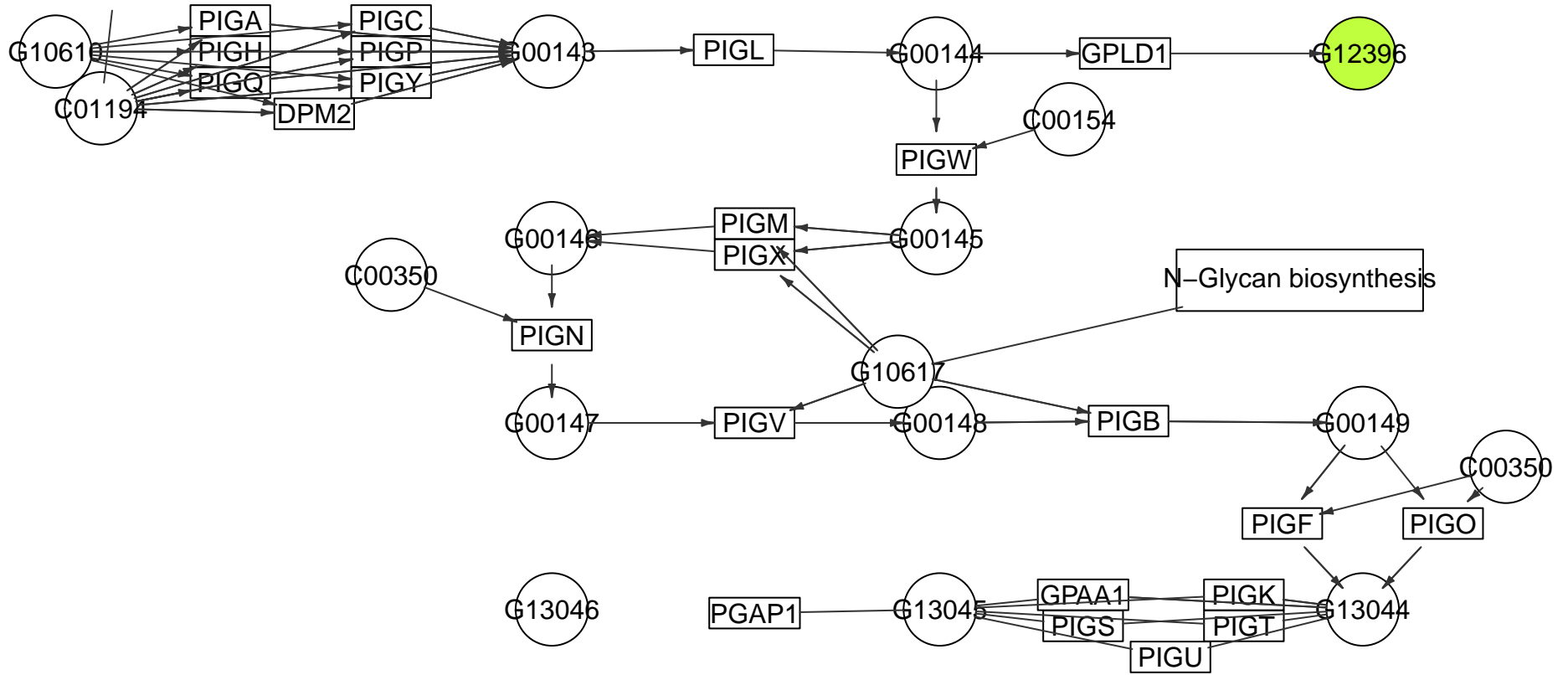
PIGV

PIGM

PIGA

Glycosylphosphatidylinositol(GPI)-anchor
biosynthesis
(sink nodes)

Glycerophospholipid
metabolism



PIGK

PIGO

PIGG

PIGN

PIGZ

PIGB

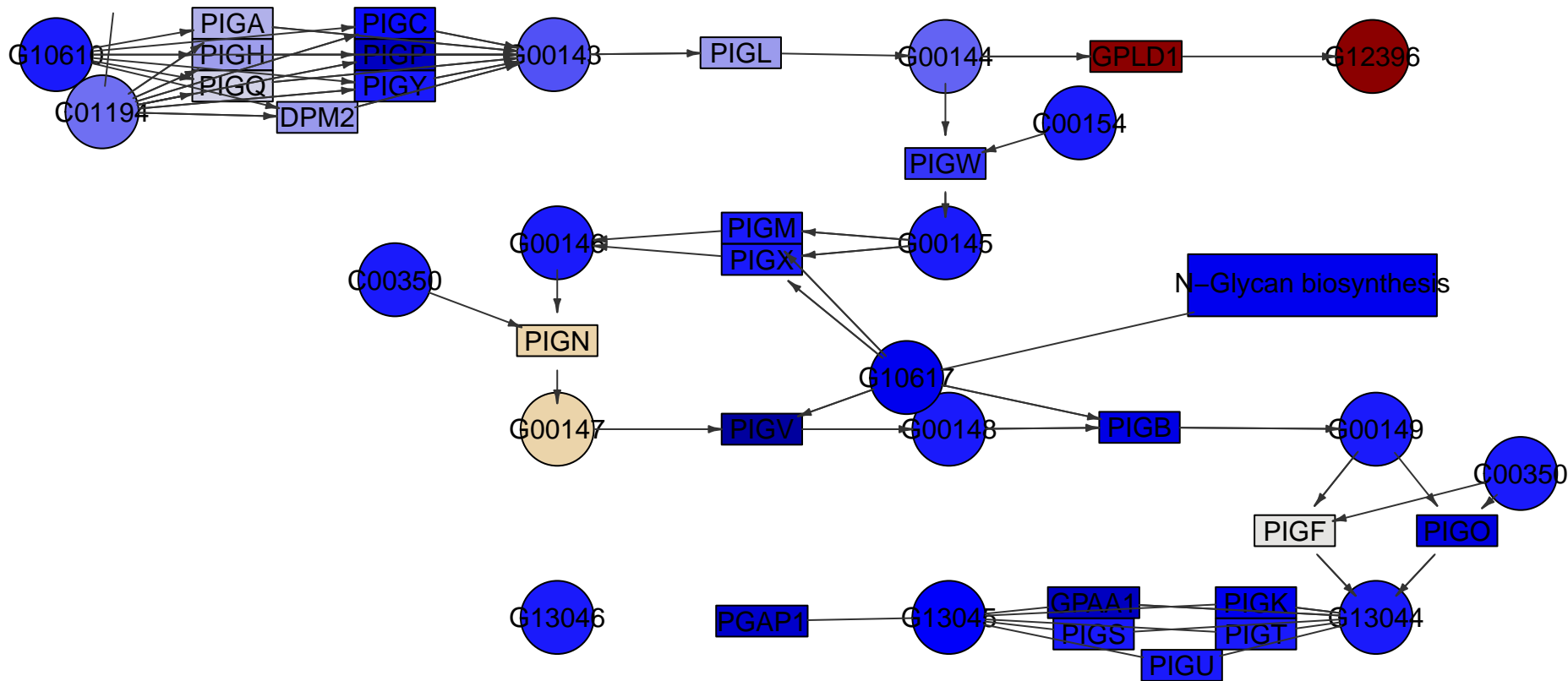
PIGV

PIGM

PIGA

Glycosylphosphatidylinositol(GPI)-anchor
biosynthesis
mBL

Glycerophospholipid
metabolism



PIGK

PIGO

PIGG

PIGN

PIGZ

PIGB

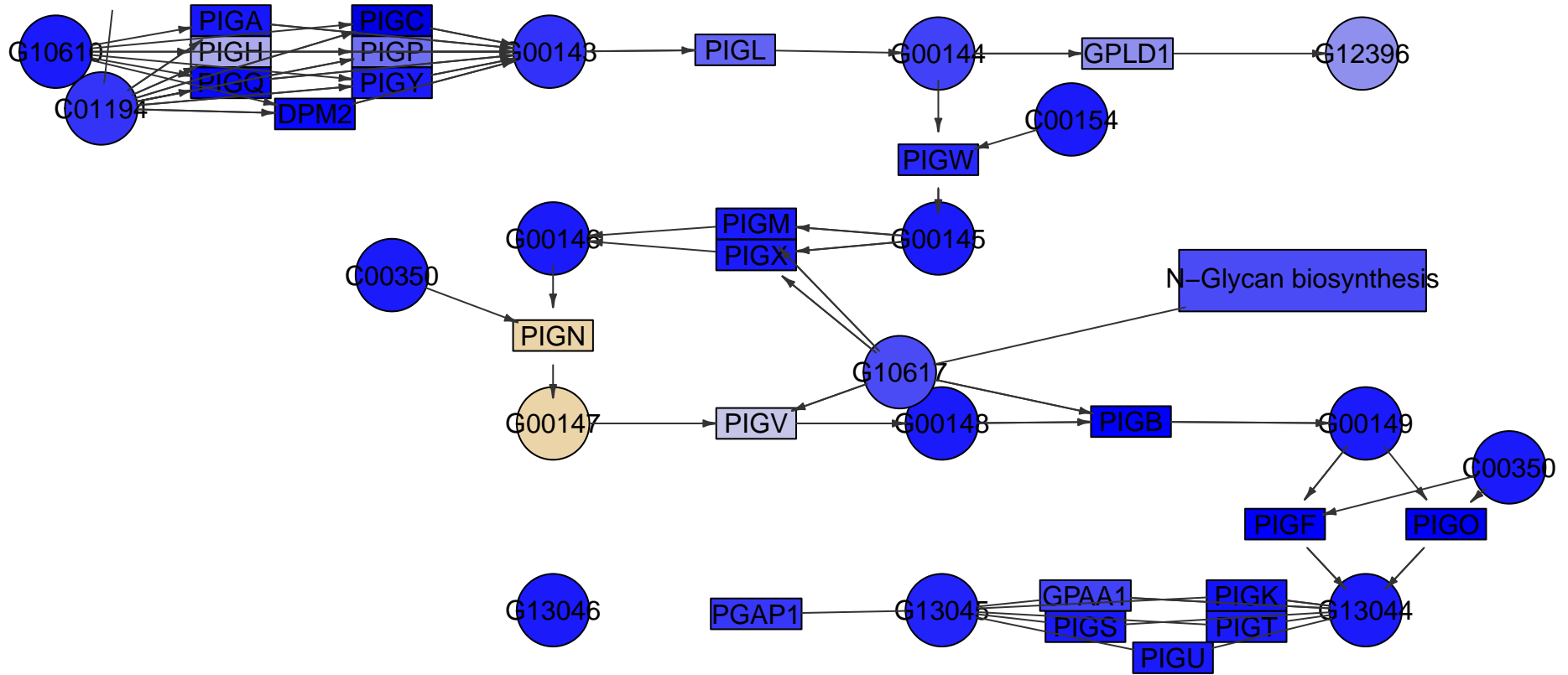
PIGV

PIGM

PIGA

Glycosylphosphatidylinositol(GPI)-anchor
biosynthesis
intermediate

Glycerophospholipid
metabolism



N-Glycan biosynthesis

PIGK

PIGO

PIGG

PIGN

PIGZ

PIGB

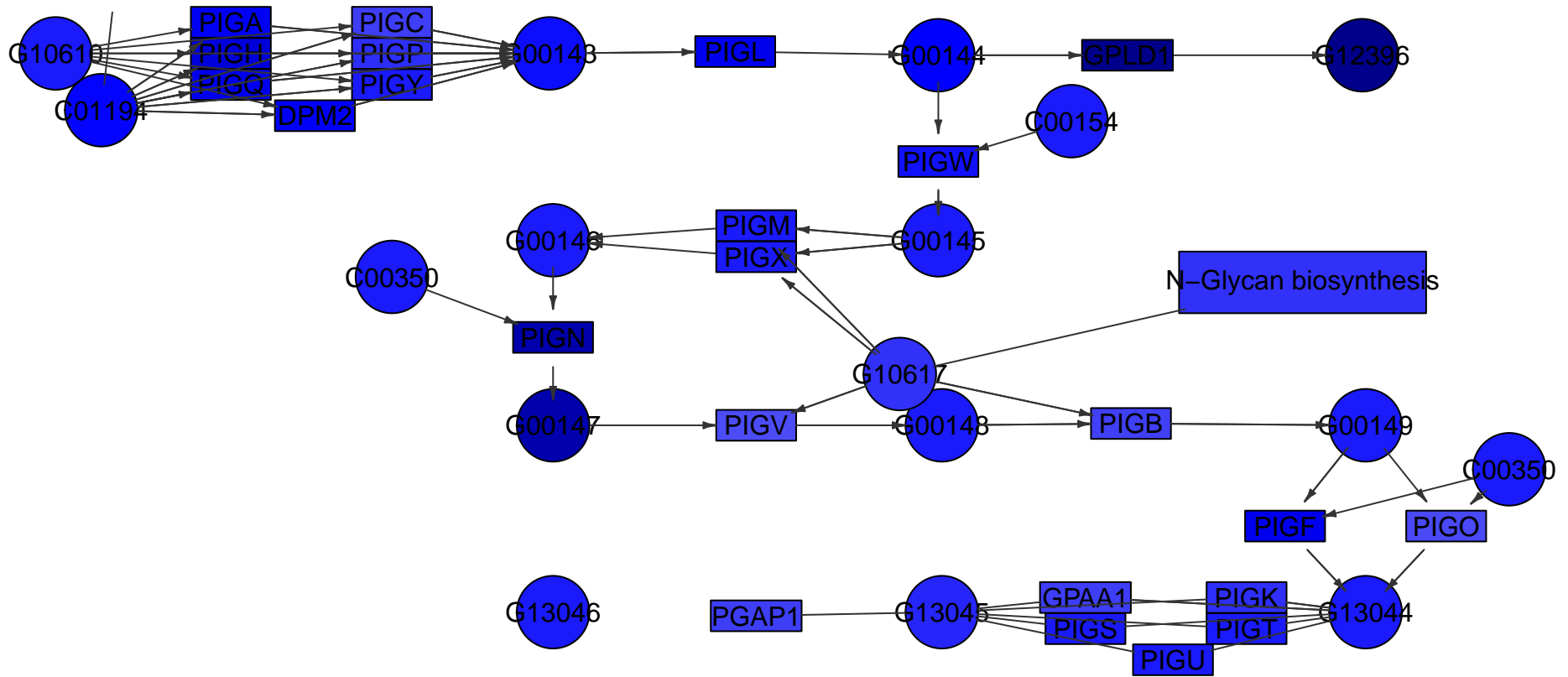
PIGV

PIGM

PIGA

Glycosylphosphatidylinositol(GPI)-anchor
biosynthesis
non-mBL

Glycerophospholipid
metabolism



N-Glycan biosynthesis

PIGK

PIGO

PIGG

PIGN

PIGZ

PIGB

PIGV

PIGM

PIGA