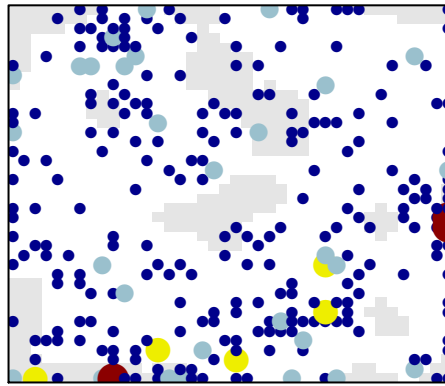
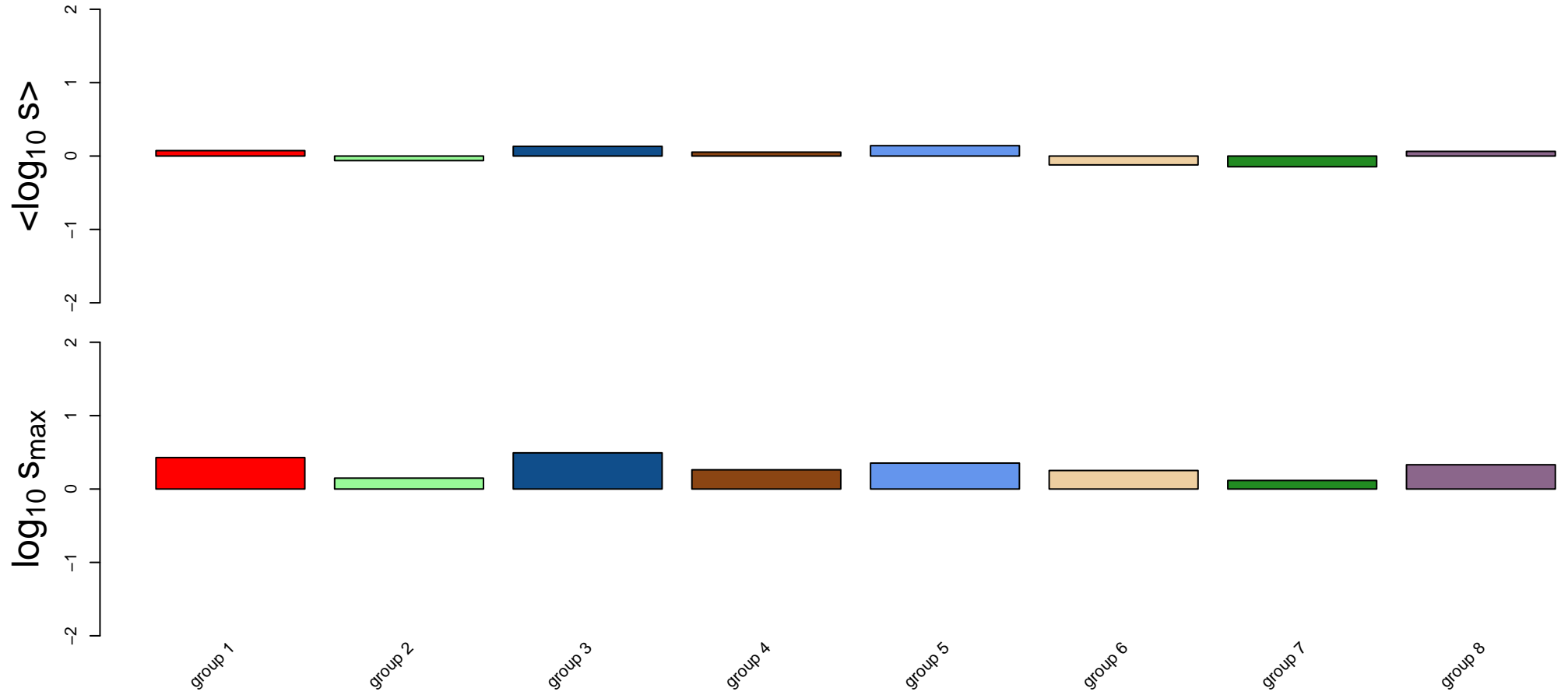
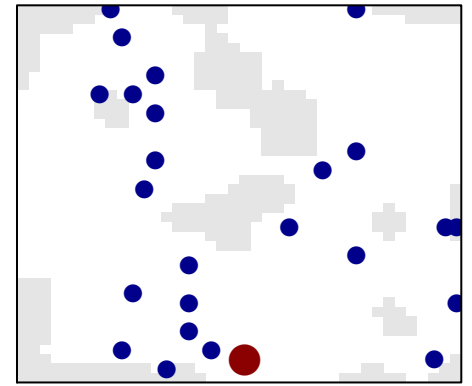


mTOR signaling pathway

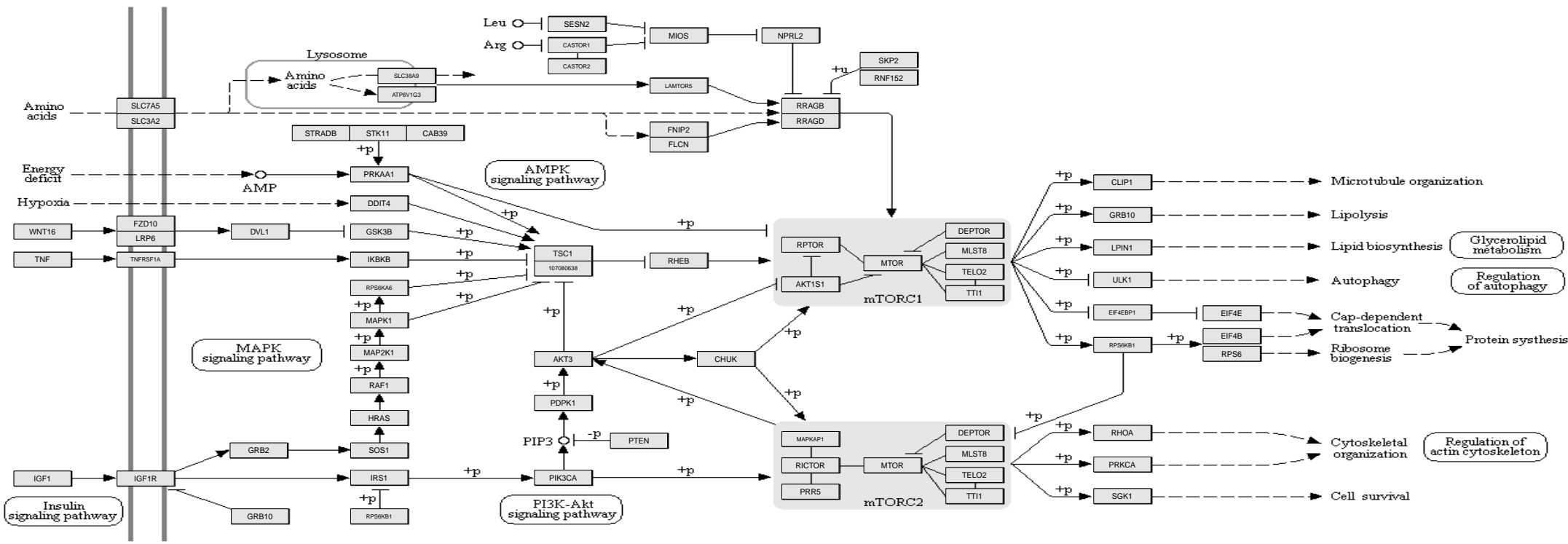
all genes



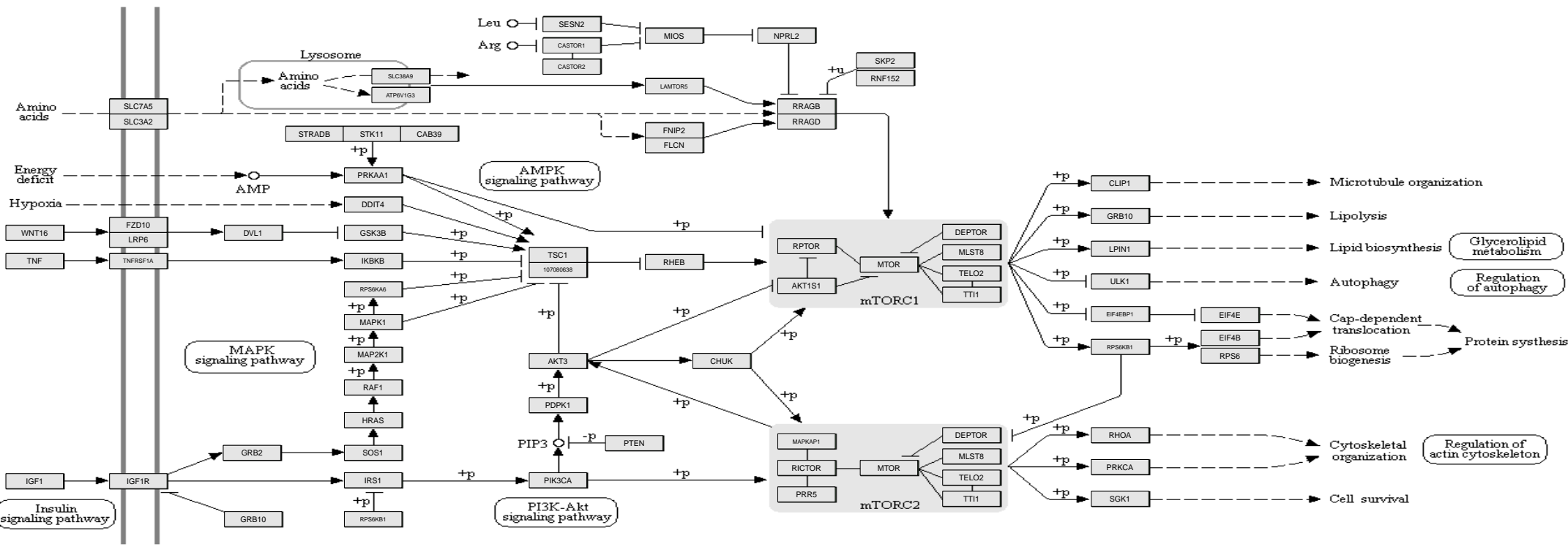
sink node genes



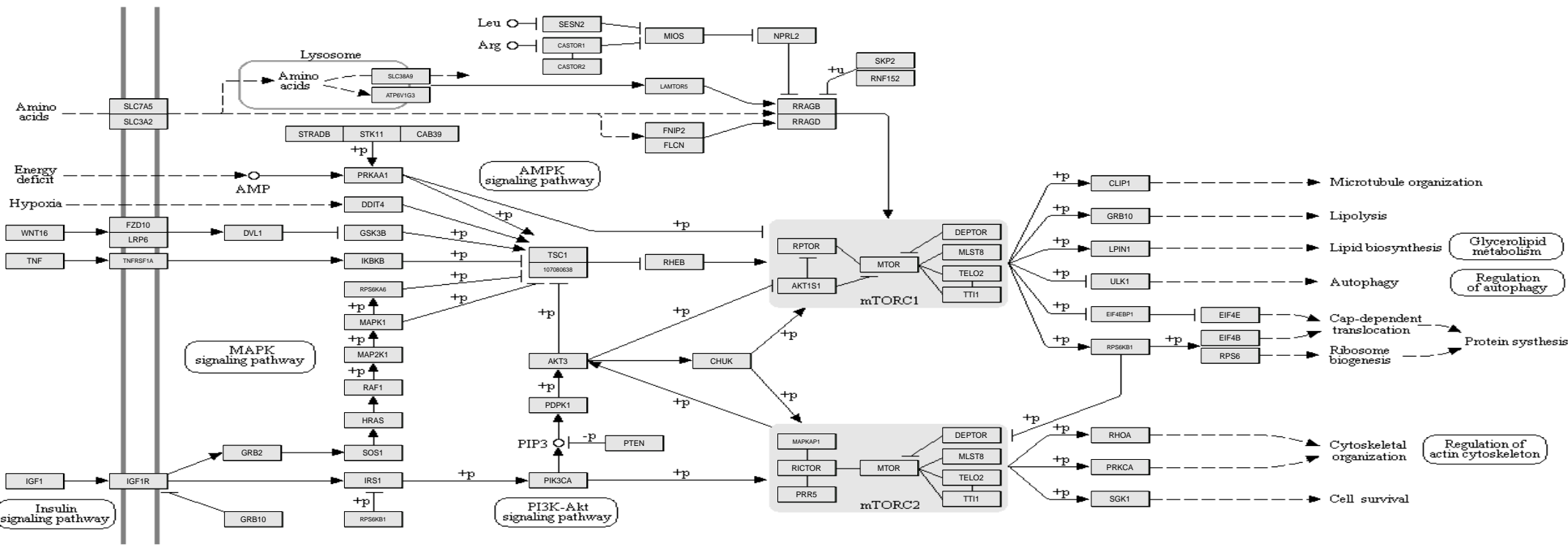
mTOR_signaling_pathway
genes with data



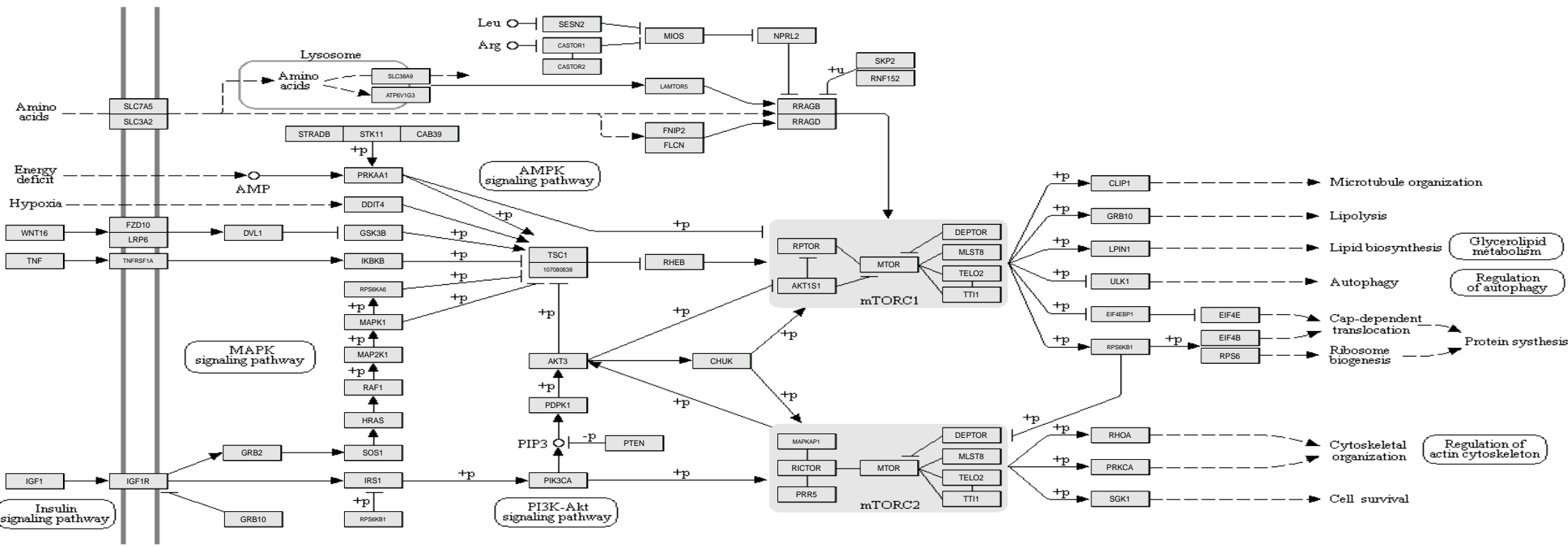
mTOR_signaling_pathway sink nodes



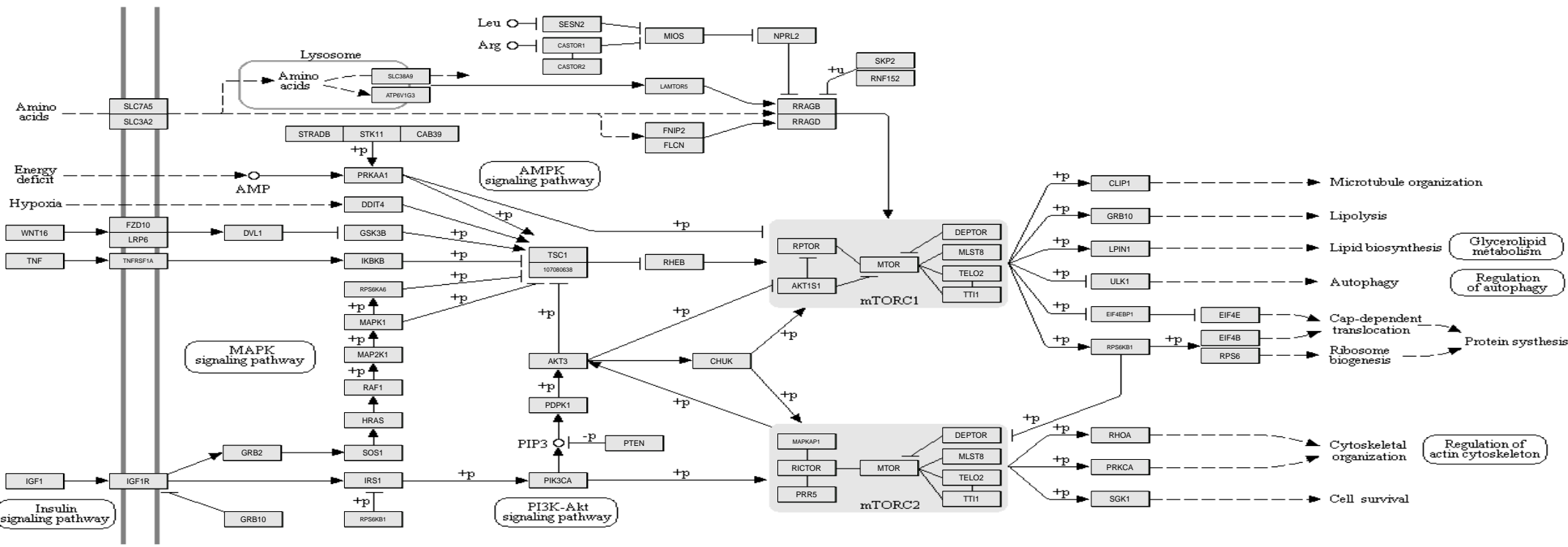
mTOR_signaling_pathway group 1



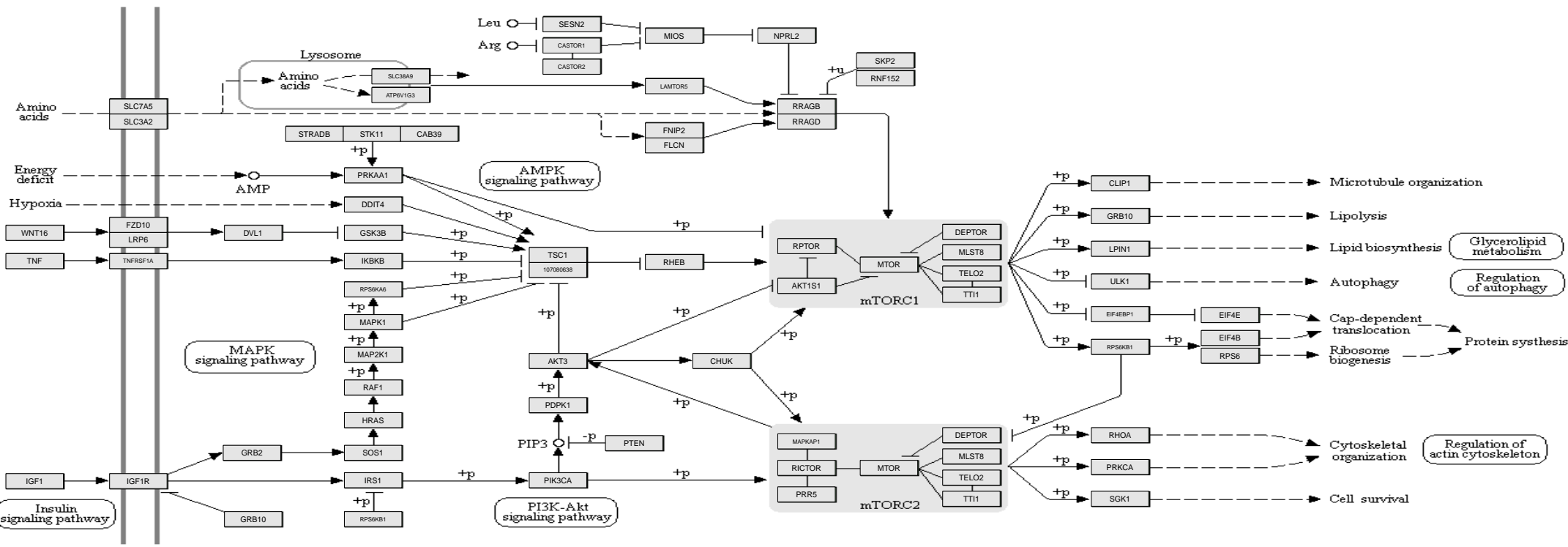
mTOR_signaling_pathway group 2



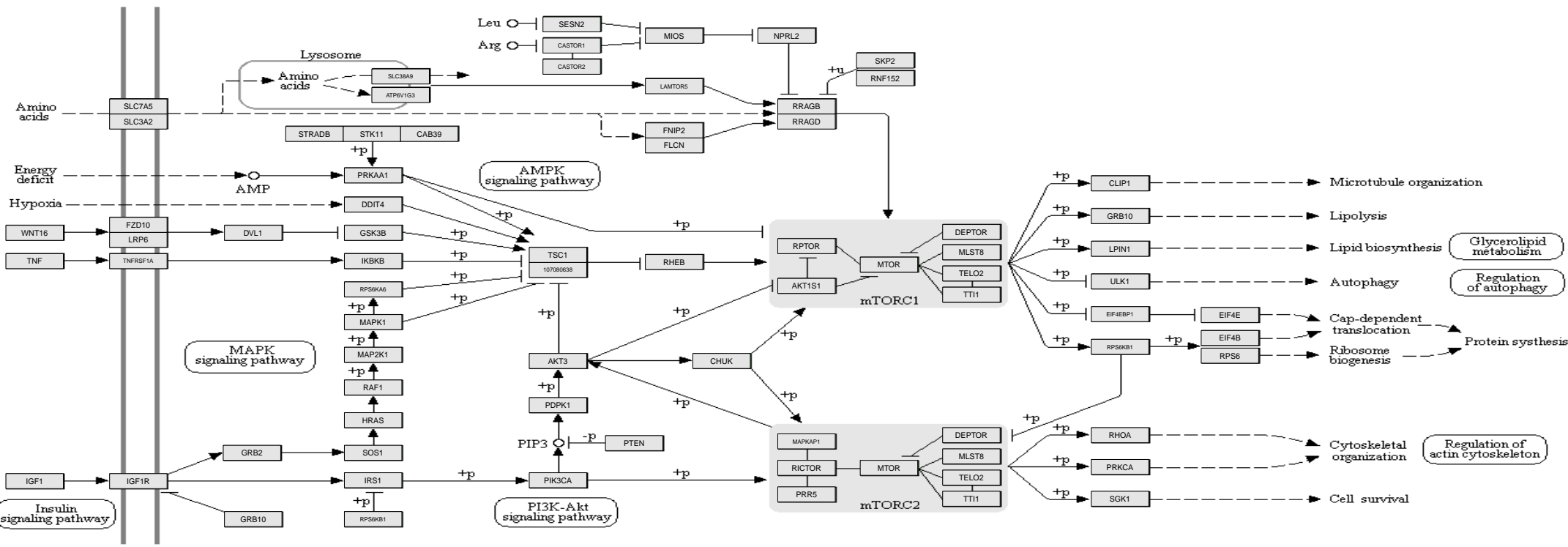
mTOR_signaling_pathway group 3



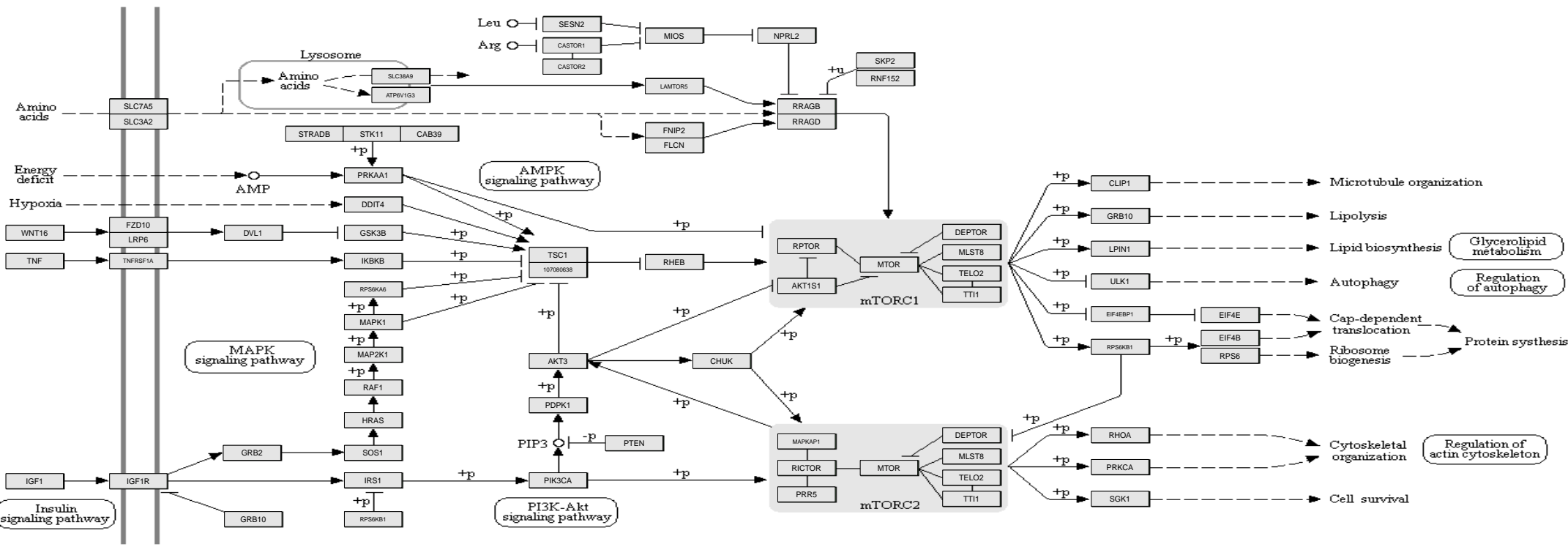
mTOR_signaling_pathway group 4



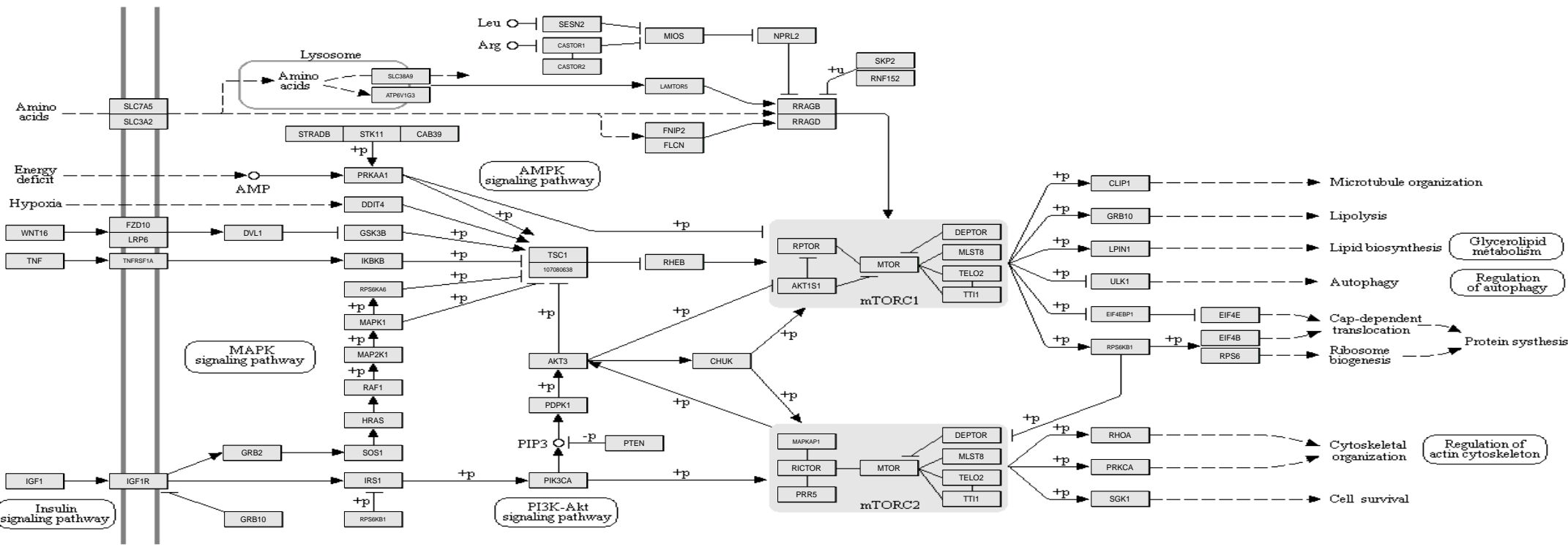
mTOR_signaling_pathway group 5



mTOR_signaling_pathway group 6



mTOR_signaling_pathway group 7



mTOR_signaling_pathway group 8

