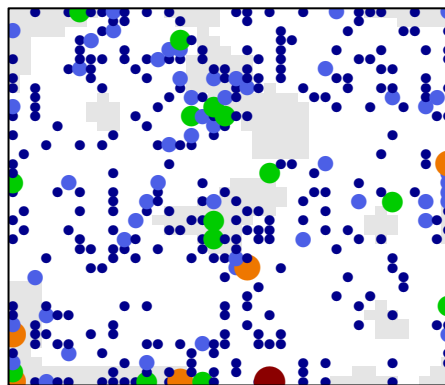
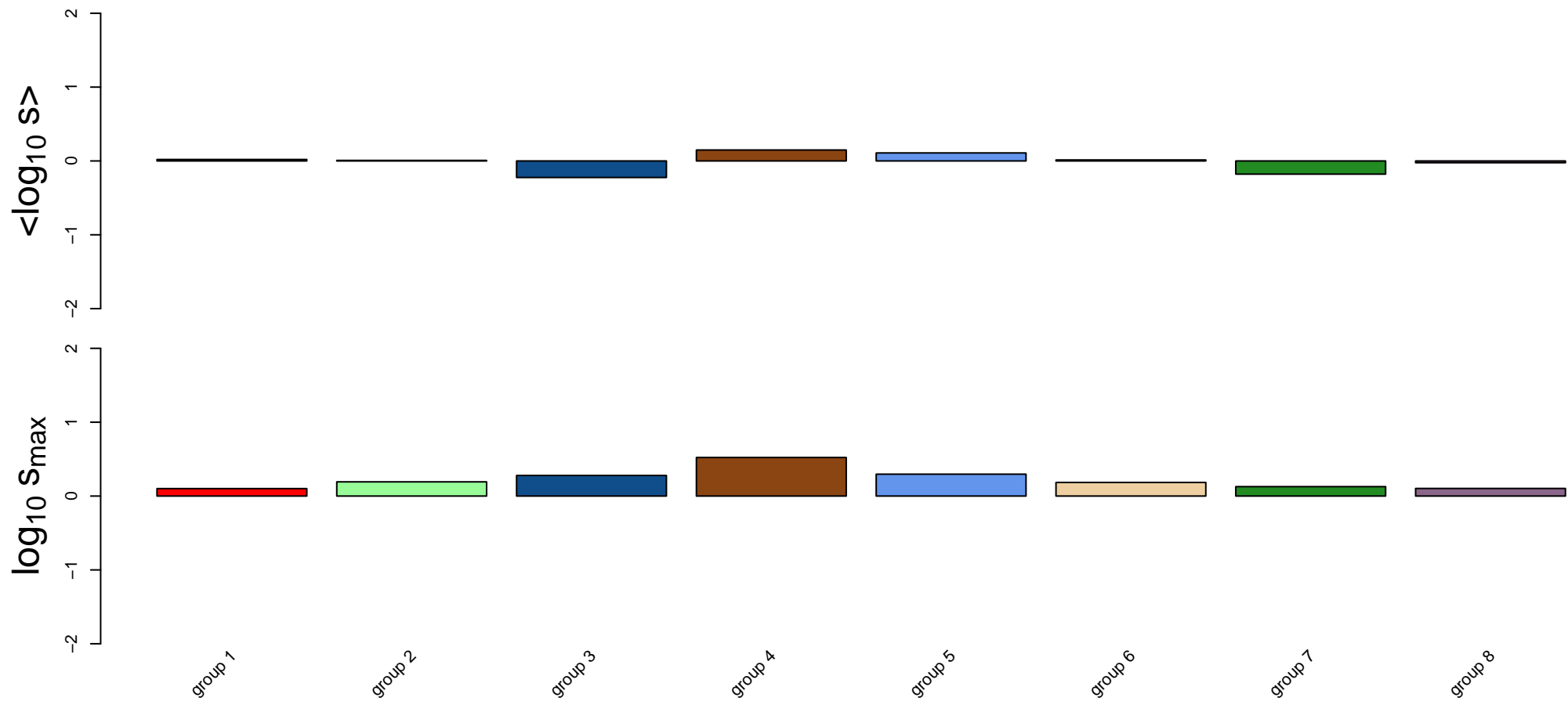
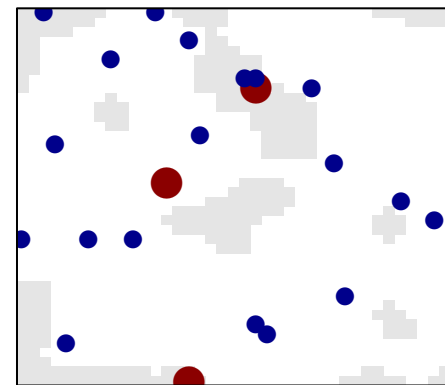


# Transcriptional misregulation in canc

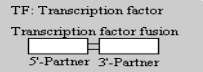
all genes



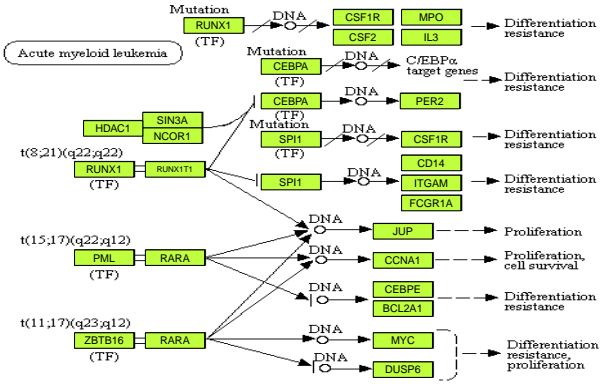
sink node genes



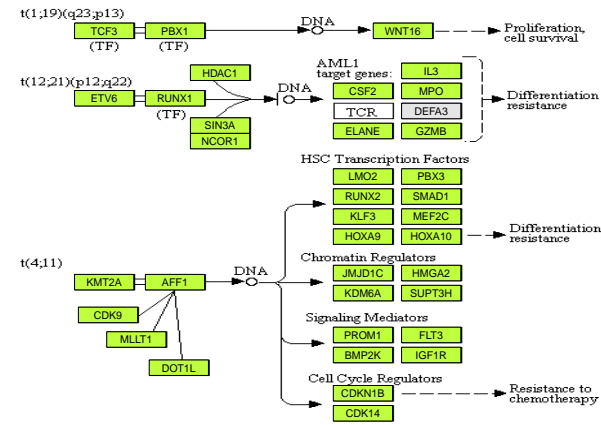
Transcriptional misregulation in cancer genes with data



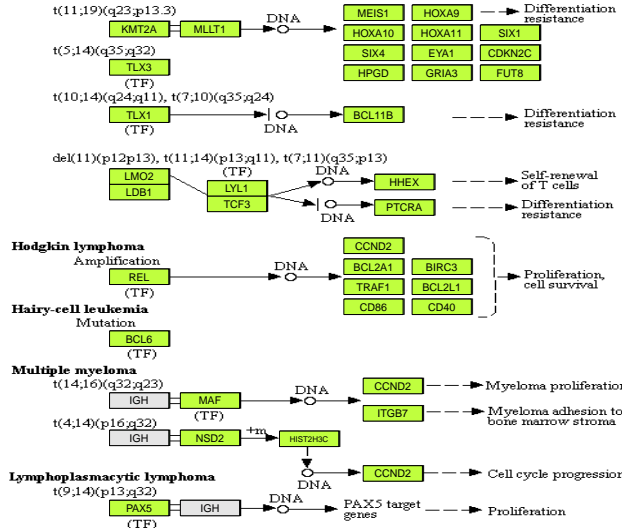
<Cancers of haematopoietic and lymphoid tissues>  
 Acute myeloid leukemia (AML)



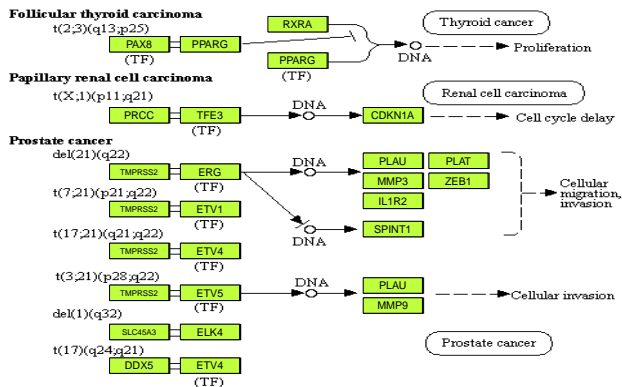
B lymphoblastic leukemia/lymphoma



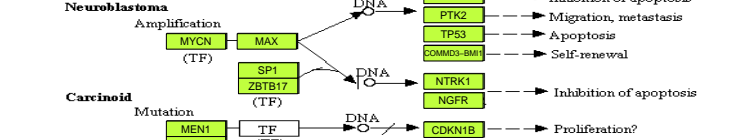
T lymphoblastic leukemia/lymphoma



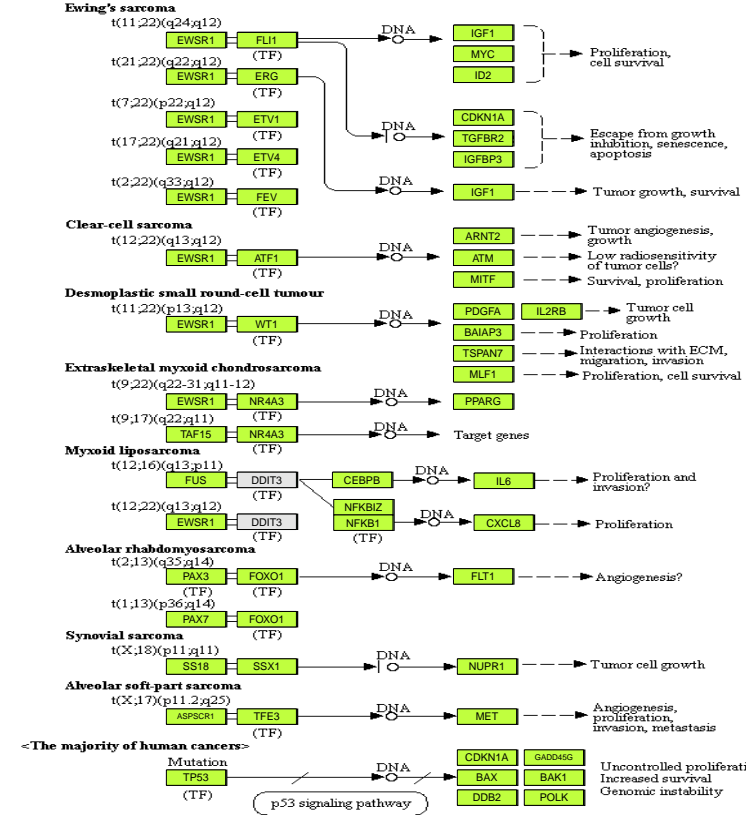
<Epithelial cancers>

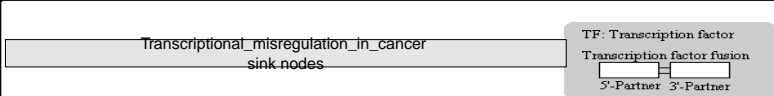


< Neuroendocrine cancers >



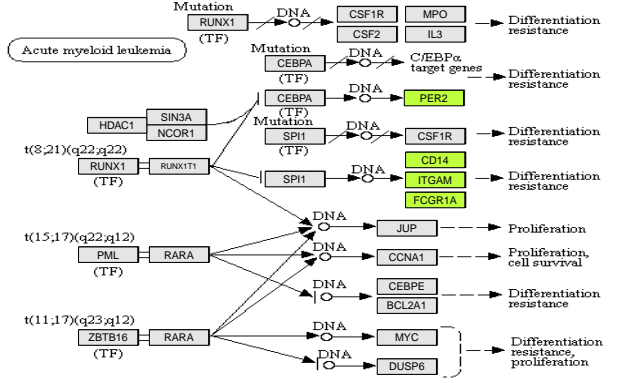
<Sarcomas>



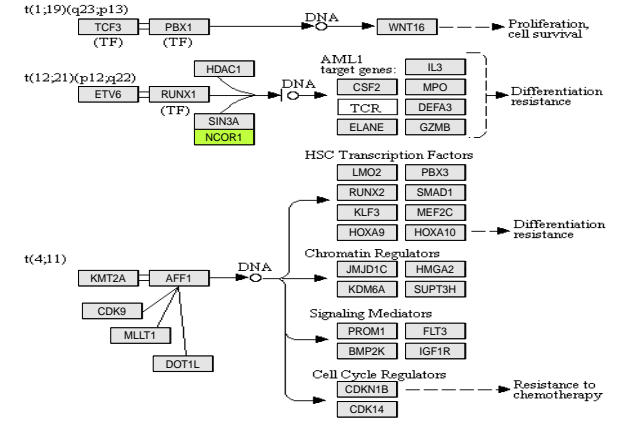


**<Cancers of haematopoietic and lymphoid tissues>**

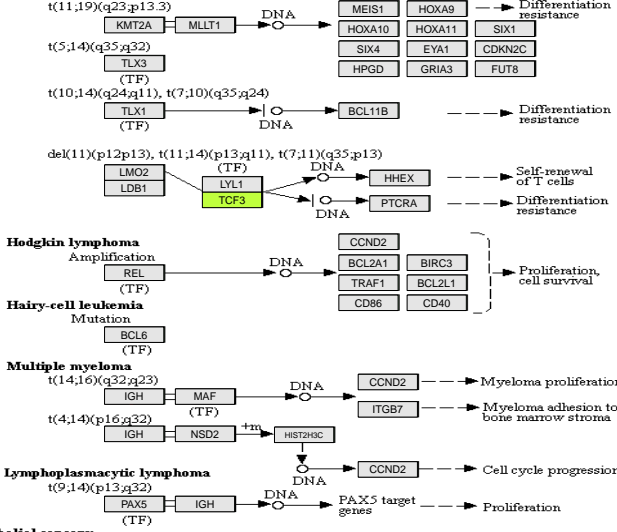
**Acute myeloid leukemia (AML)**



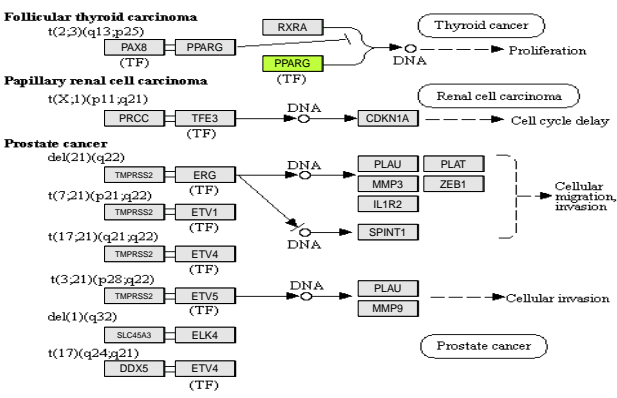
**B lymphoblastic leukemia/lymphoma**



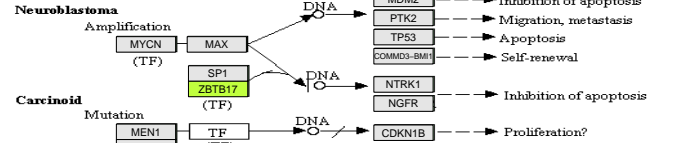
**T lymphoblastic leukemia/lymphoma**



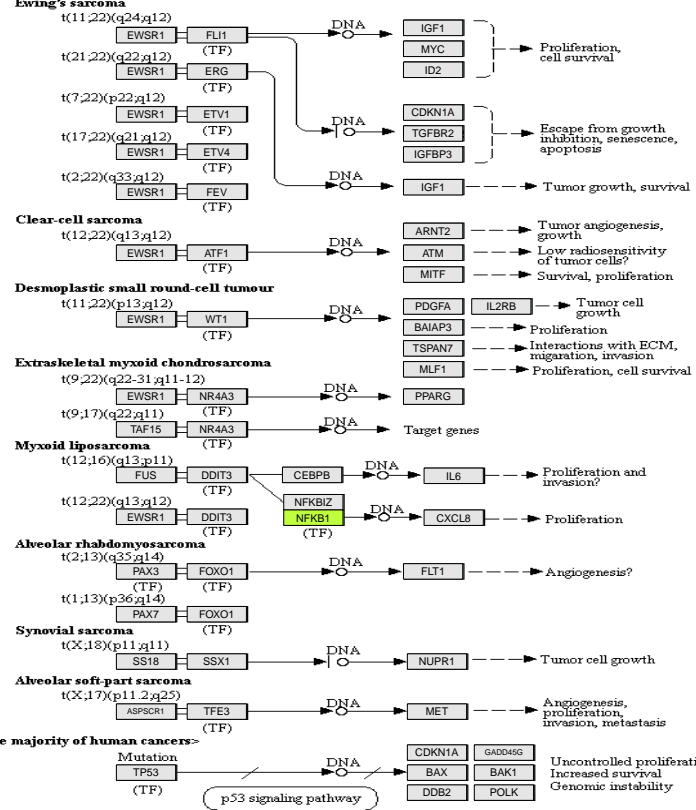
**<Epithelial cancers>**



**< Neuroendocrine cancers >**



**<Sarcomas>**

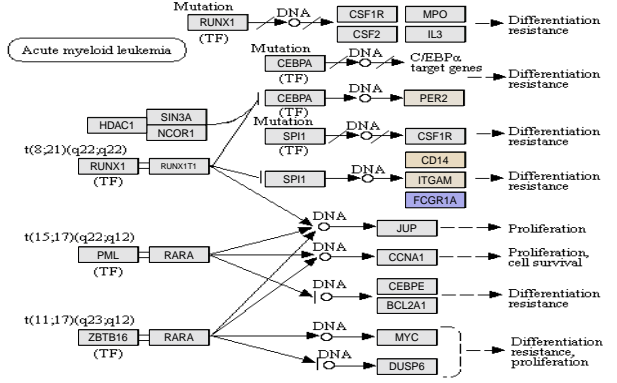


Transcriptional\_misregulation\_in\_cancer\_group 1

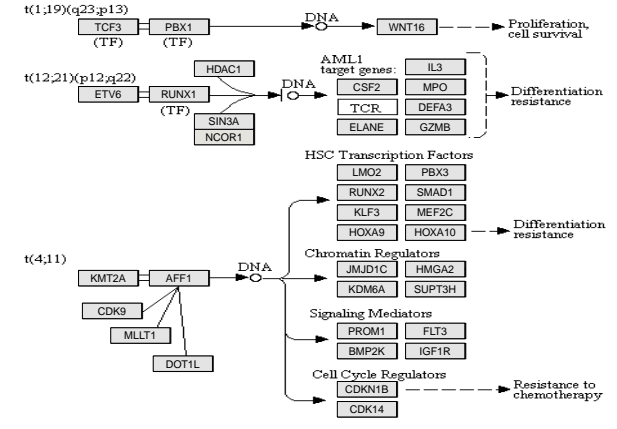
TF: Transcription factor  
 Transcription factor fusion  
 5'-Partner 3'-Partner

<Cancers of haematopoietic and lymphoid tissues>

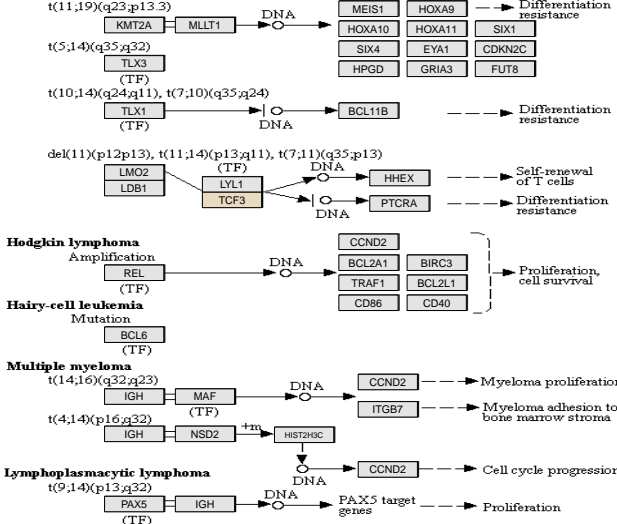
Acute myeloid leukemia (AML)



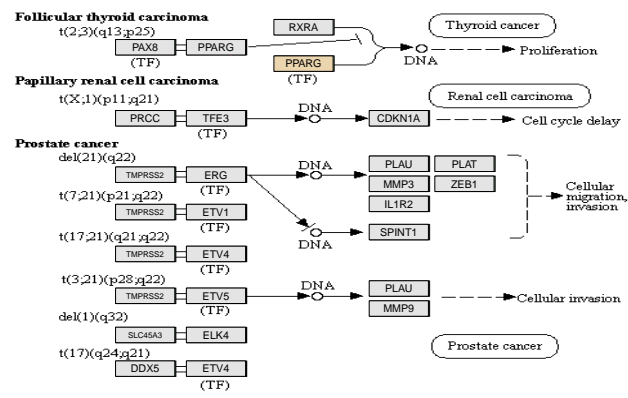
B lymphoblastic leukemia/lymphoma



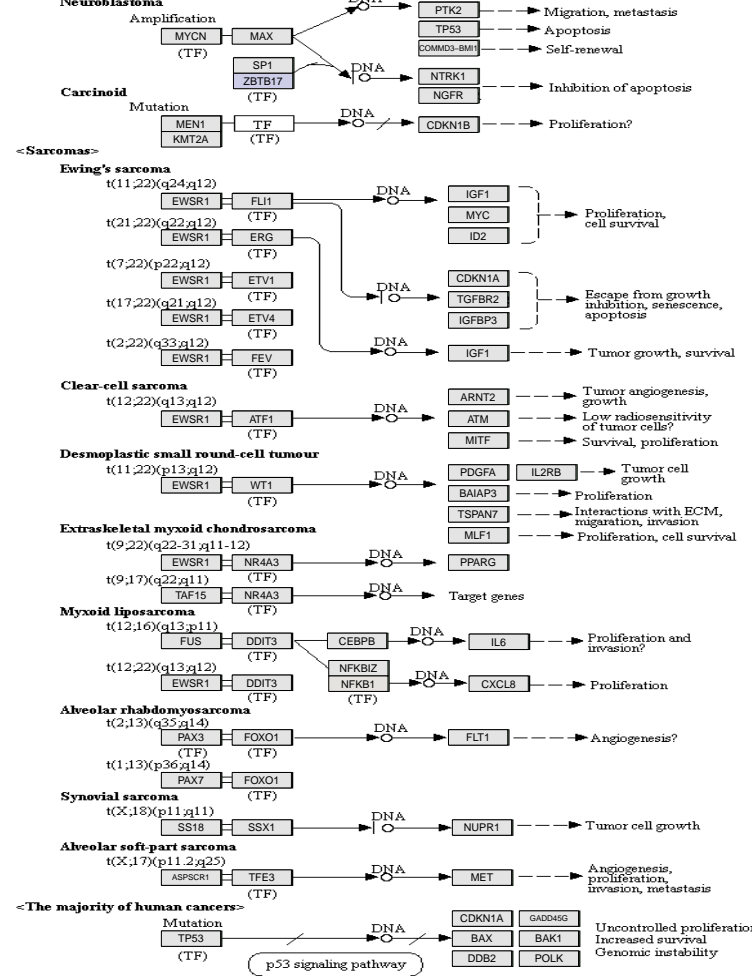
T lymphoblastic leukemia/lymphoma



<Epithelial cancers>



< Neuroendocrine cancers >

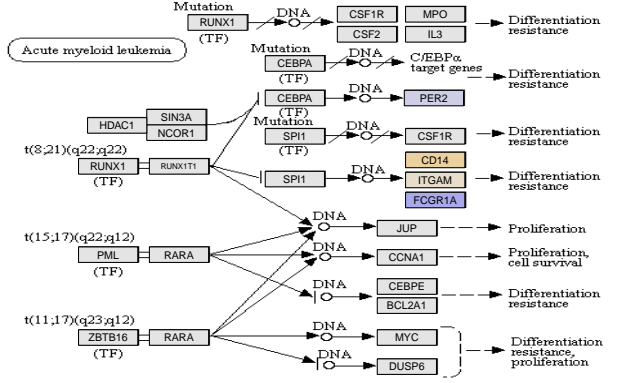


Transcriptional\_misregulation\_in\_cancer group 2

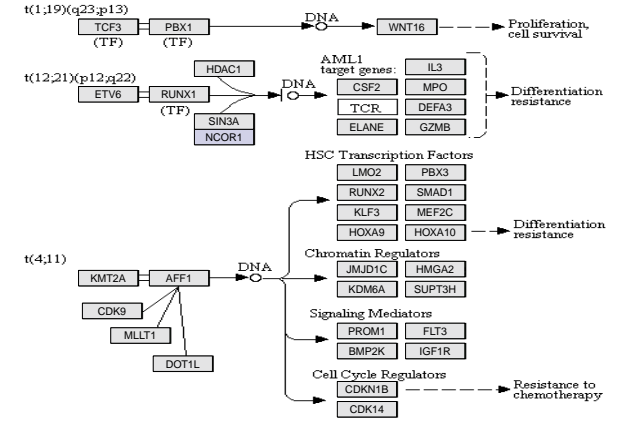
TF: Transcription factor  
 Transcription factor fusion  
 5'-Partner 3'-Partner

<Cancers of haematopoietic and lymphoid tissues>

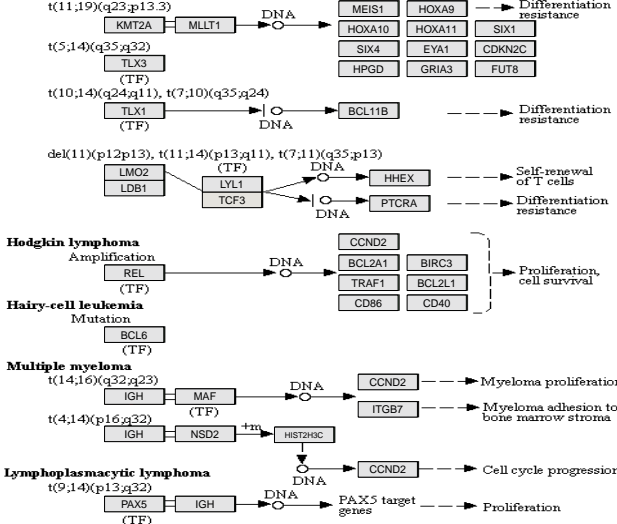
Acute myeloid leukemia (AML)



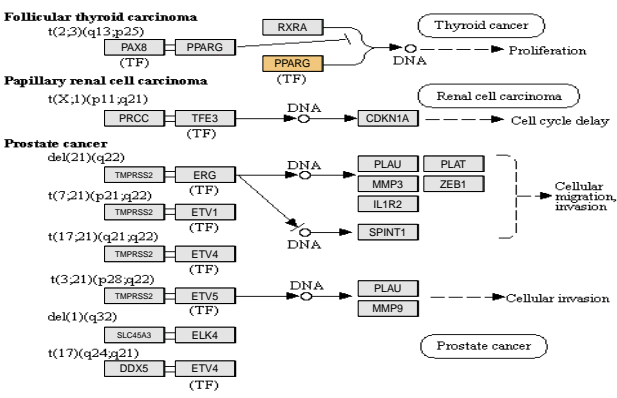
B lymphoblastic leukemia/lymphoma



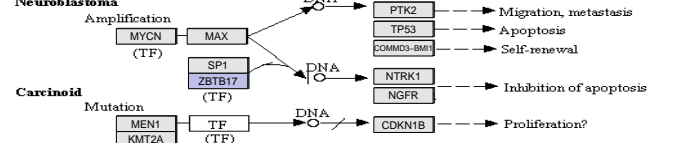
T lymphoblastic leukemia/lymphoma



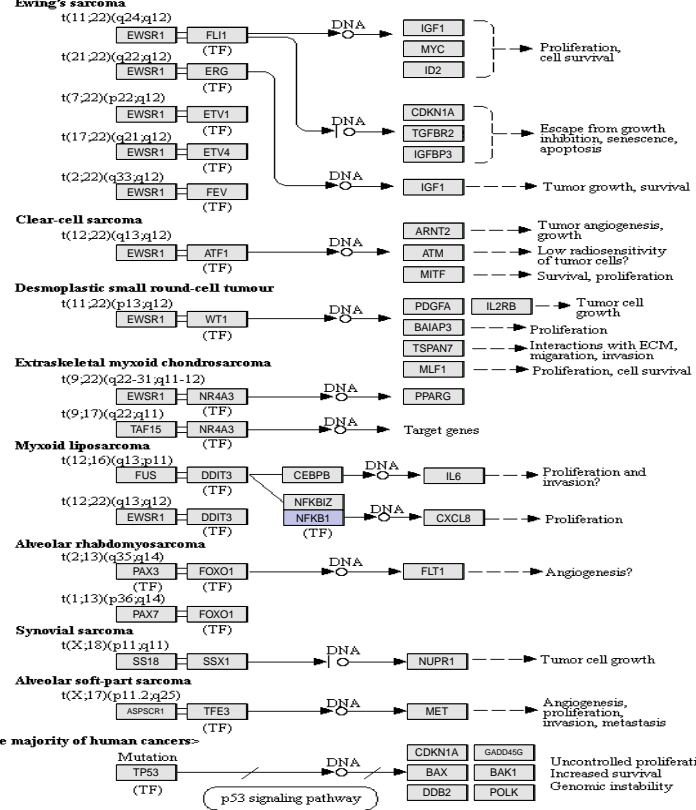
<Epithelial cancers>



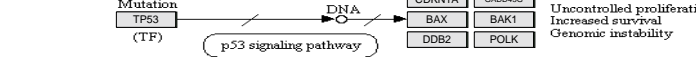
< Neuroendocrine cancers >



<Sarcomas>



<The majority of human cancers>

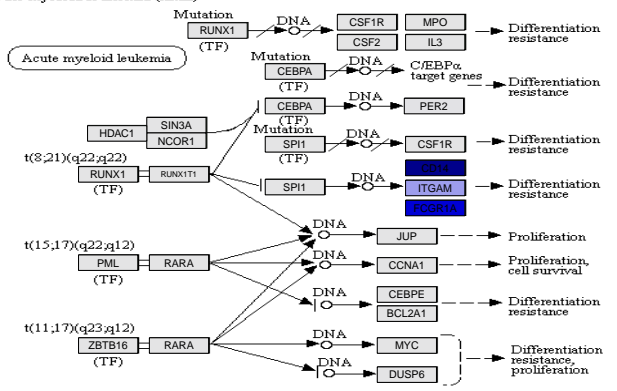


**Transcriptional misregulation in cancer group 3**

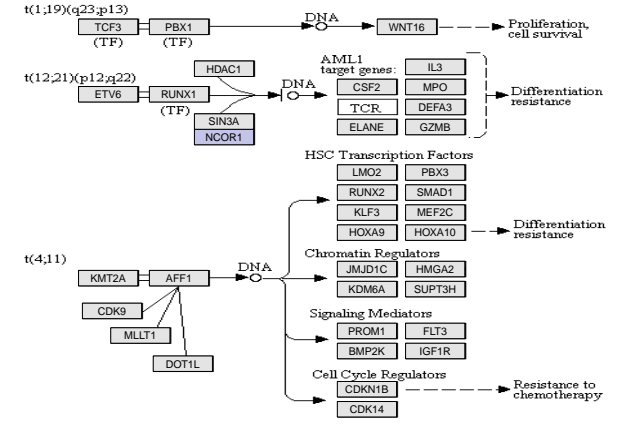
TF: Transcription factor  
 Transcription factor fusion  
 5'-Partner 3'-Partner

**<Cancers of haematopoietic and lymphoid tissues>**

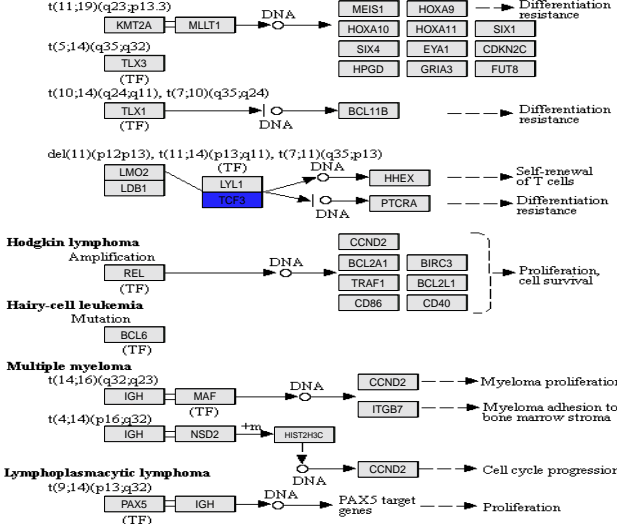
**Acute myeloid leukemia (AML)**



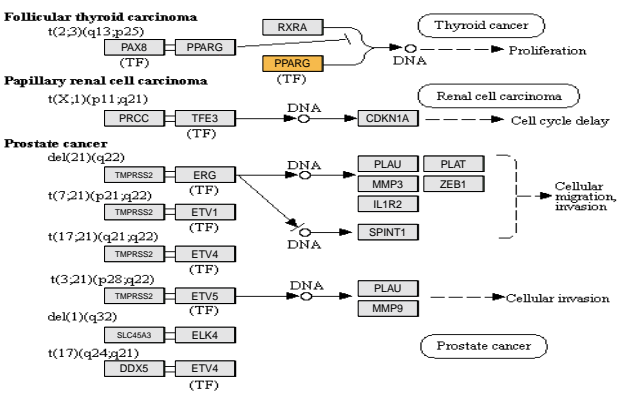
**B lymphoblastic leukemia/lymphoma**



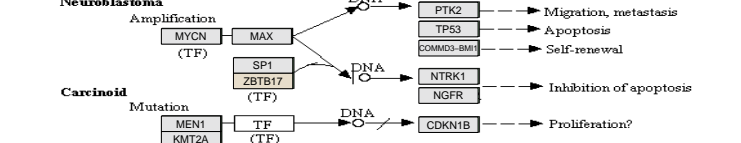
**T lymphoblastic leukemia/lymphoma**



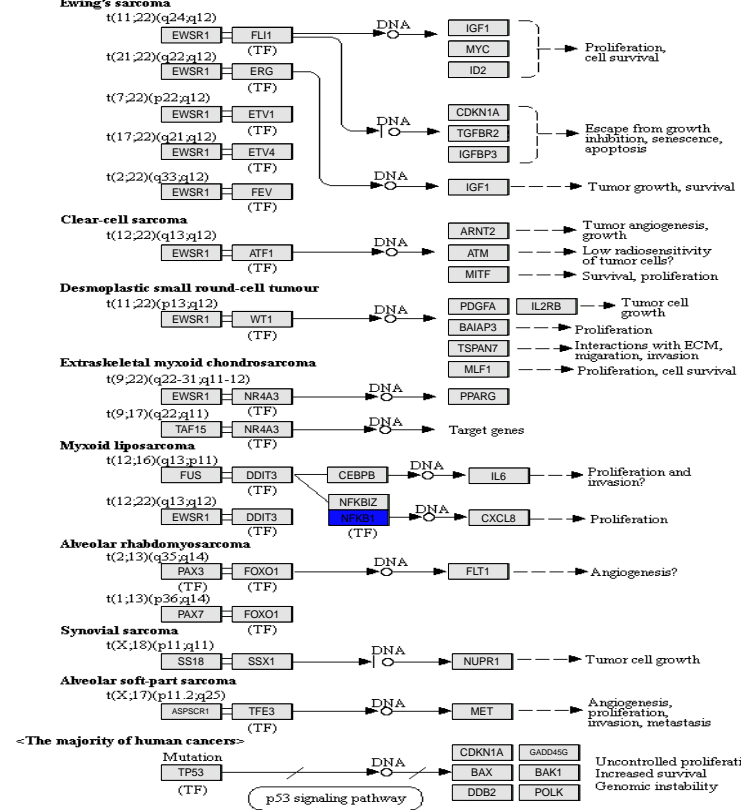
**<Epithelial cancers>**



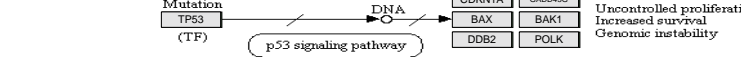
**< Neuroendocrine cancers >**



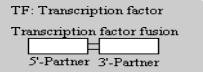
**<Sarcomas>**



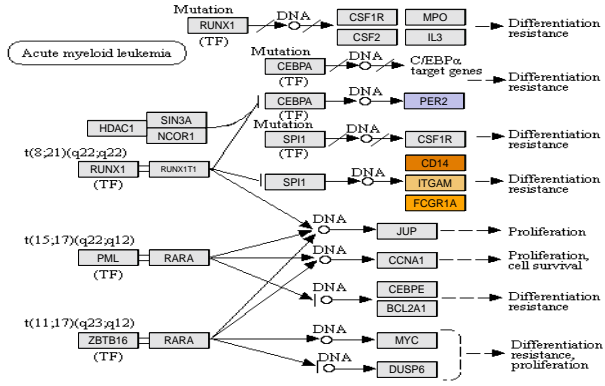
**<The majority of human cancers>**



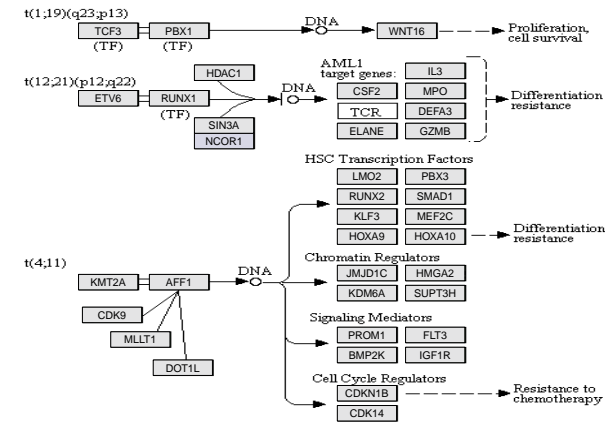
Transcriptional misregulation in cancer group 4



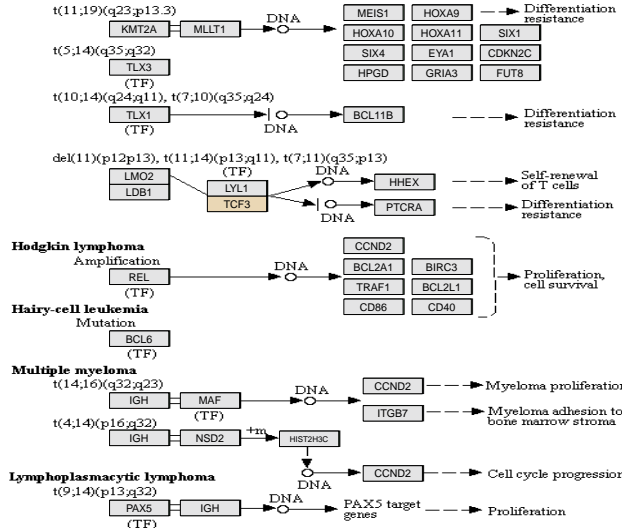
<Cancers of haematopoietic and lymphoid tissues>  
Acute myeloid leukemia (AML)



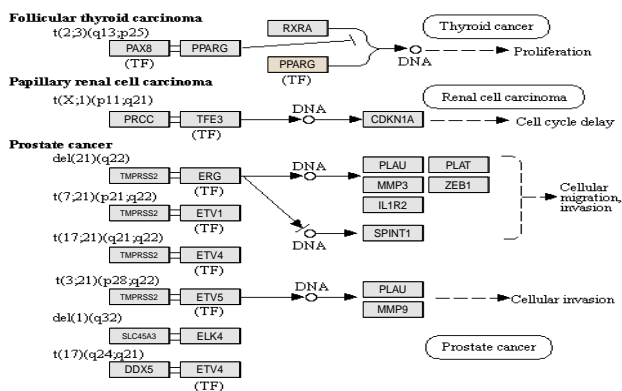
B lymphoblastic leukemia/lymphoma



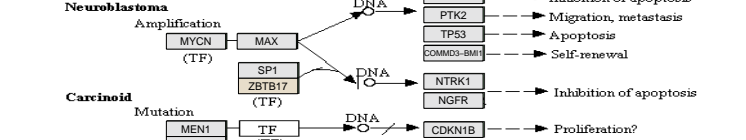
T lymphoblastic leukemia/lymphoma



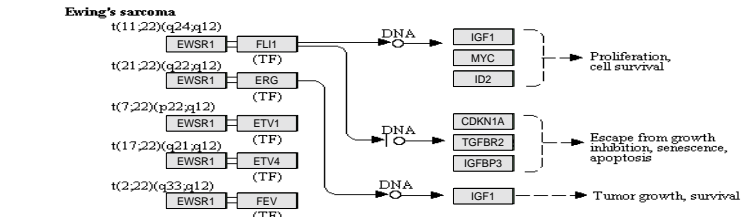
<Epithelial cancers>



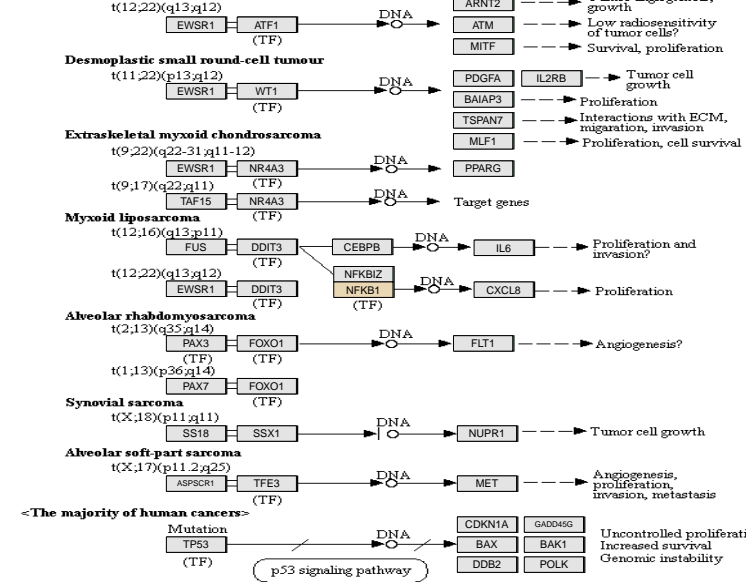
< Neuroendocrine cancers >



<Sarcomas>

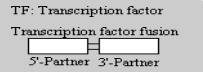


<The majority of human cancers>

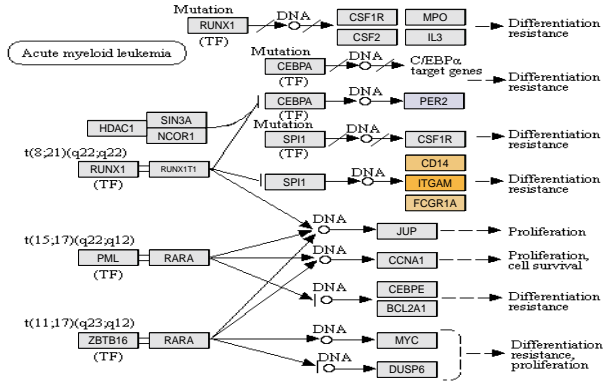




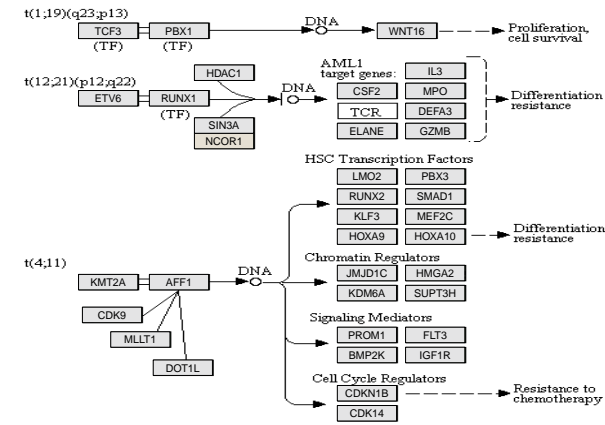
Transcriptional misregulation in cancer group 5



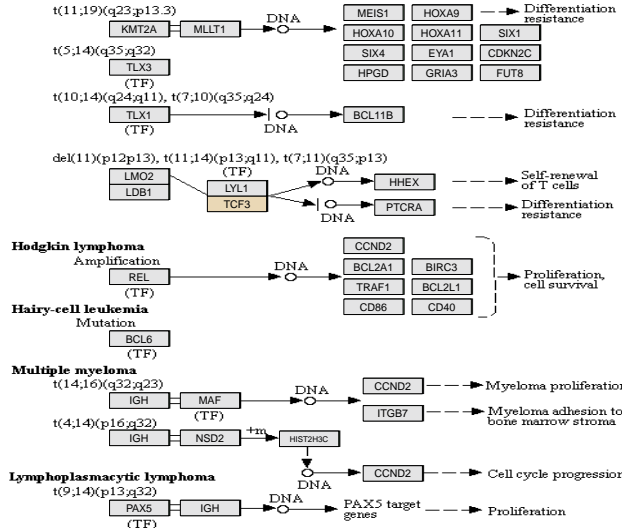
<Cancers of haematopoietic and lymphoid tissues>  
 Acute myeloid leukemia (AML)



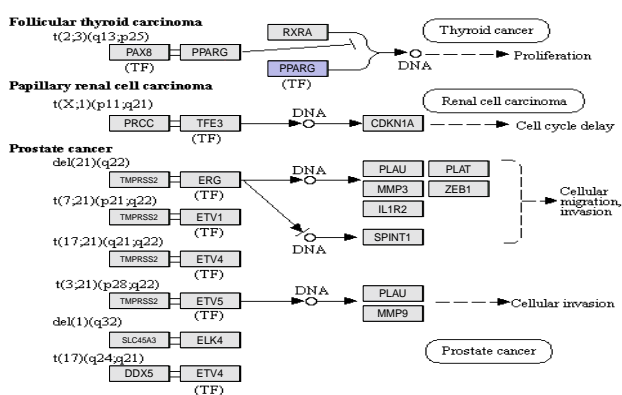
B lymphoblastic leukemia/lymphoma



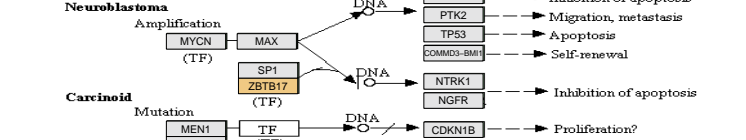
T lymphoblastic leukemia/lymphoma



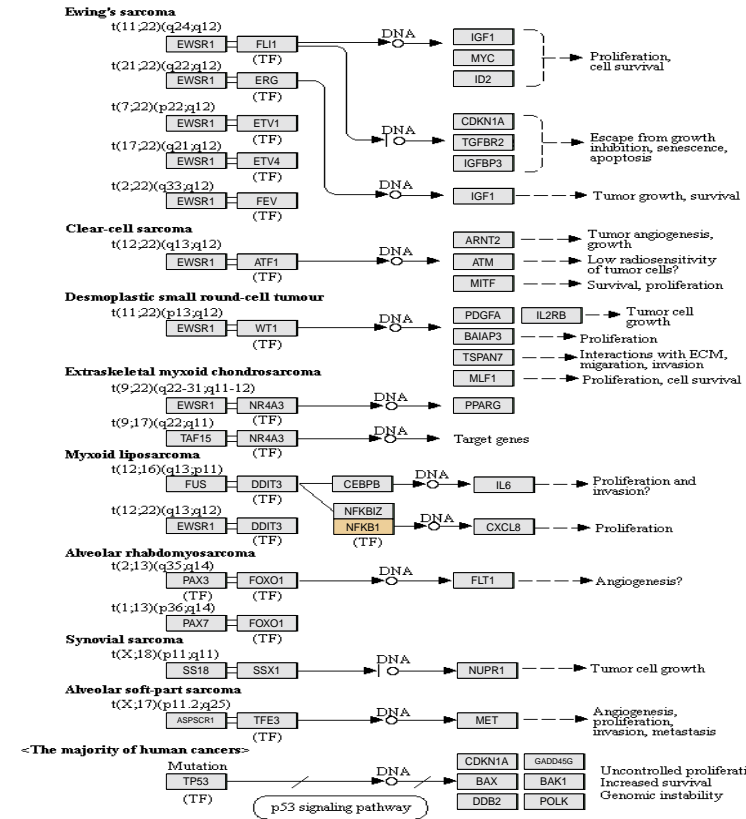
<Epithelial cancers>



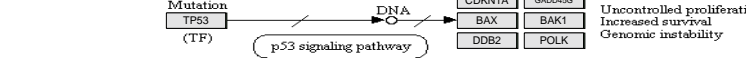
< Neuroendocrine cancers >



<Sarcomas>

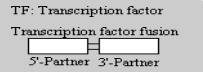


<The majority of human cancers>

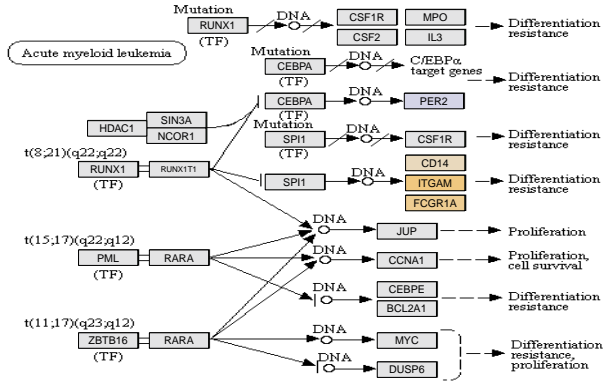




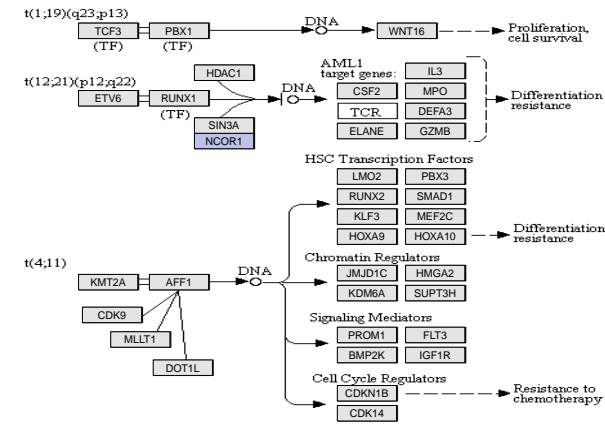
Transcriptional misregulation in cancer group 6



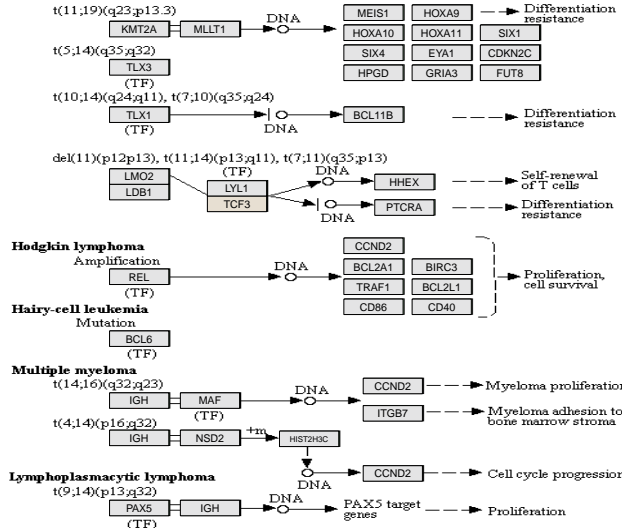
<Cancers of haematopoietic and lymphoid tissues>  
 Acute myeloid leukemia (AML)



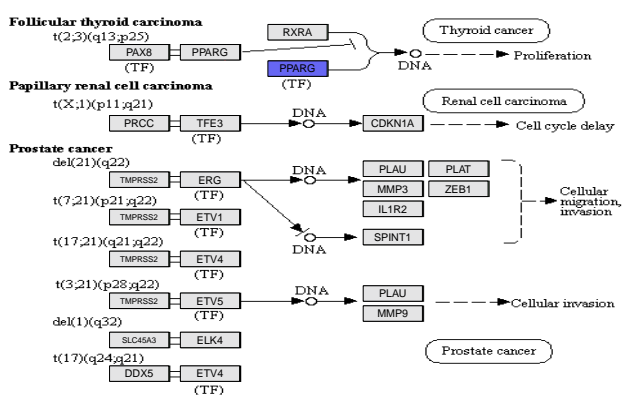
B lymphoblastic leukemia/lymphoma



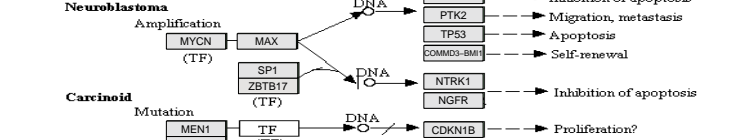
T lymphoblastic leukemia/lymphoma



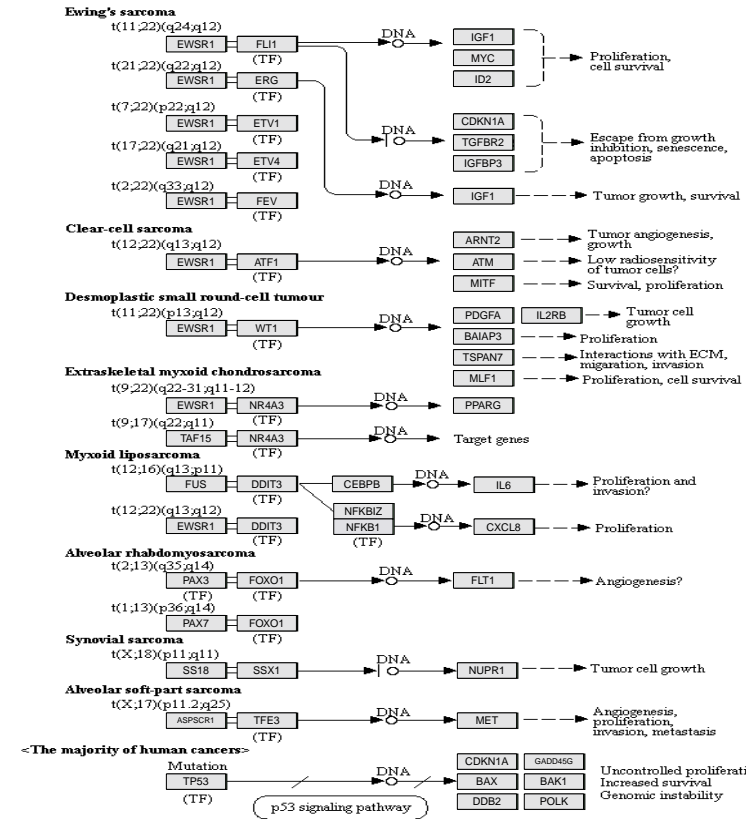
<Epithelial cancers>



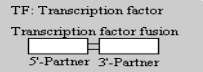
< Neuroendocrine cancers >



<Sarcomas>

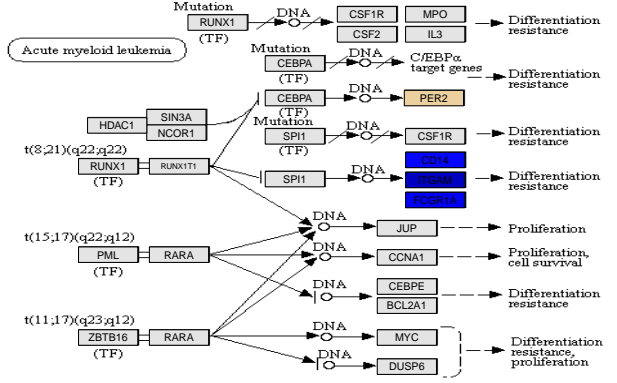


Transcriptional\_misregulation\_in\_cancer group 7

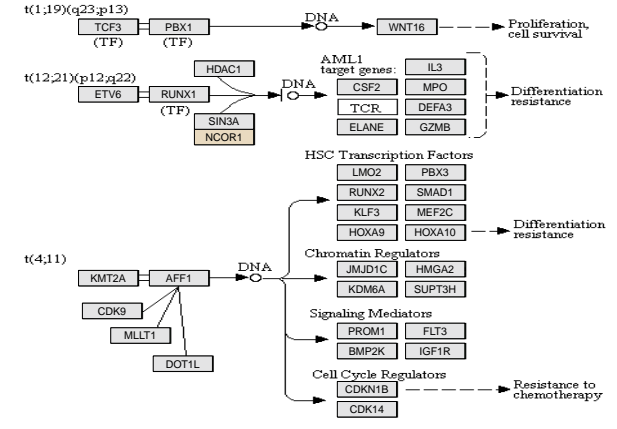


<Cancers of haematopoietic and lymphoid tissues>

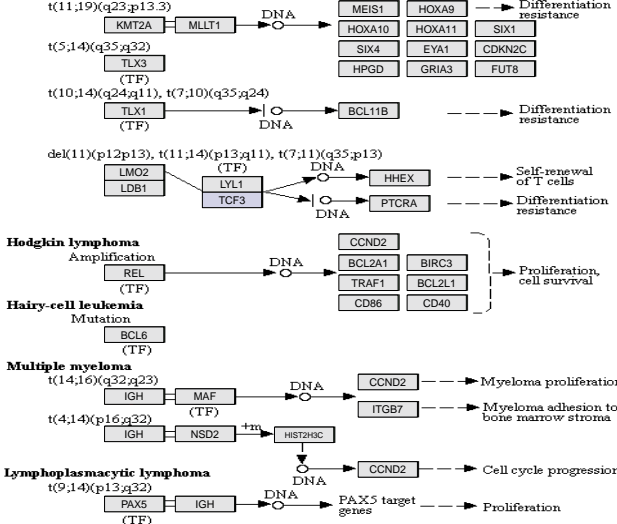
Acute myeloid leukemia (AML)



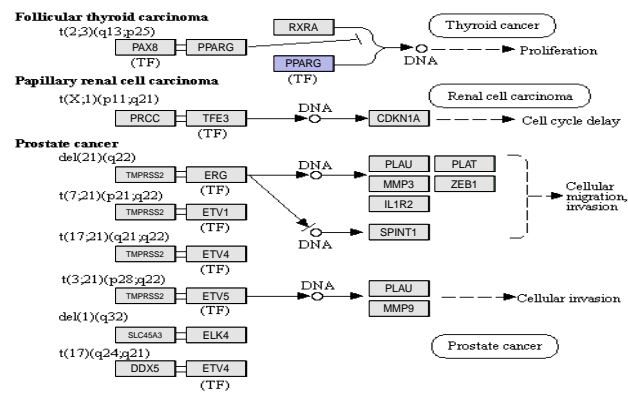
B lymphoblastic leukemia/lymphoma



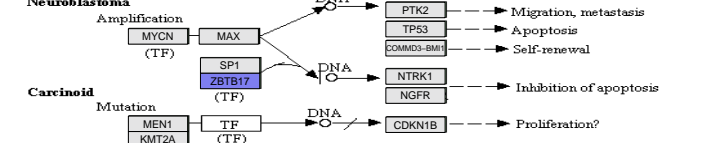
T lymphoblastic leukemia/lymphoma



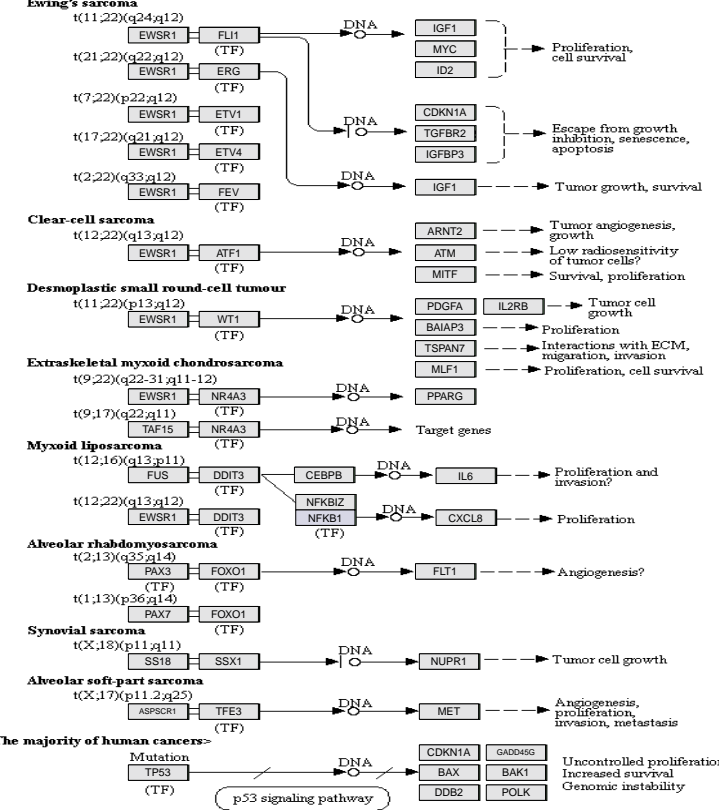
<Epithelial cancers>



< Neuroendocrine cancers >



<Sarcomas>

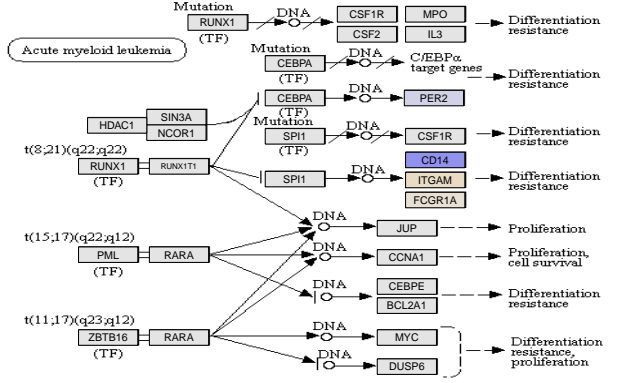


Transcriptional\_misregulation\_in\_cancer group 8

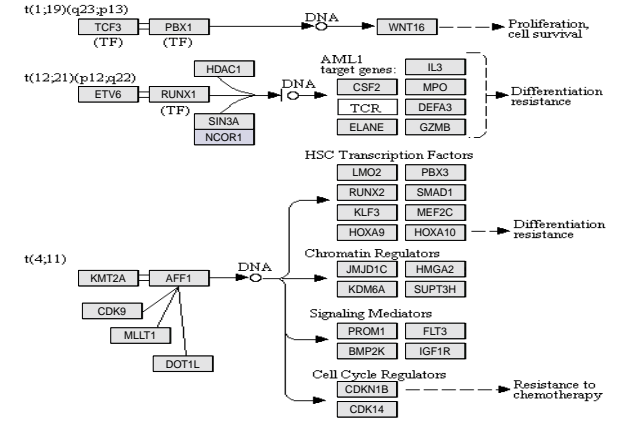
TF: Transcription factor  
 Transcription factor fusion  
 5'-Partner 3'-Partner

<Cancers of haematopoietic and lymphoid tissues>

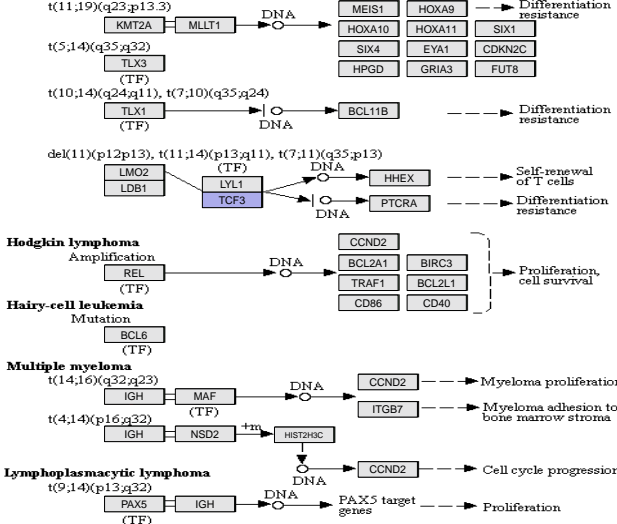
Acute myeloid leukemia (AML)



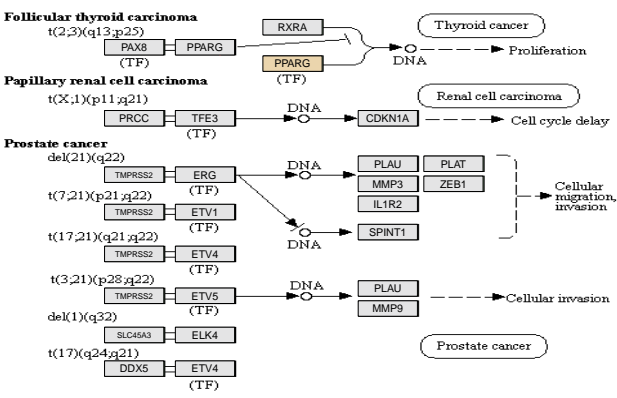
B lymphoblastic leukemia/lymphoma



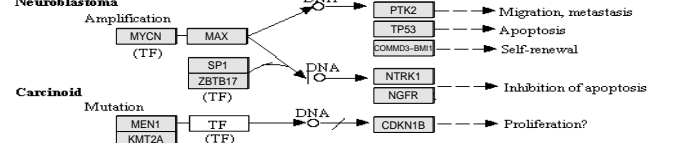
T lymphoblastic leukemia/lymphoma



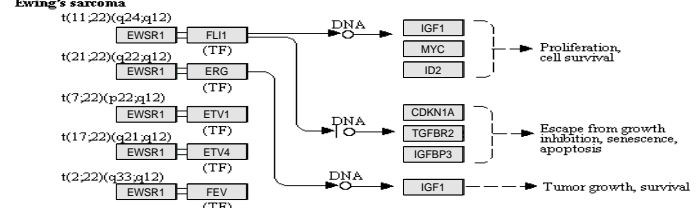
<Epithelial cancers>



< Neuroendocrine cancers >



<Sarcomas>



<The majority of human cancers>

