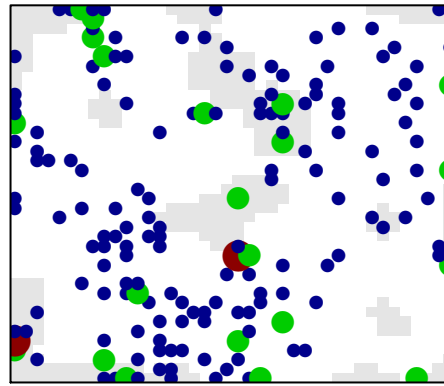
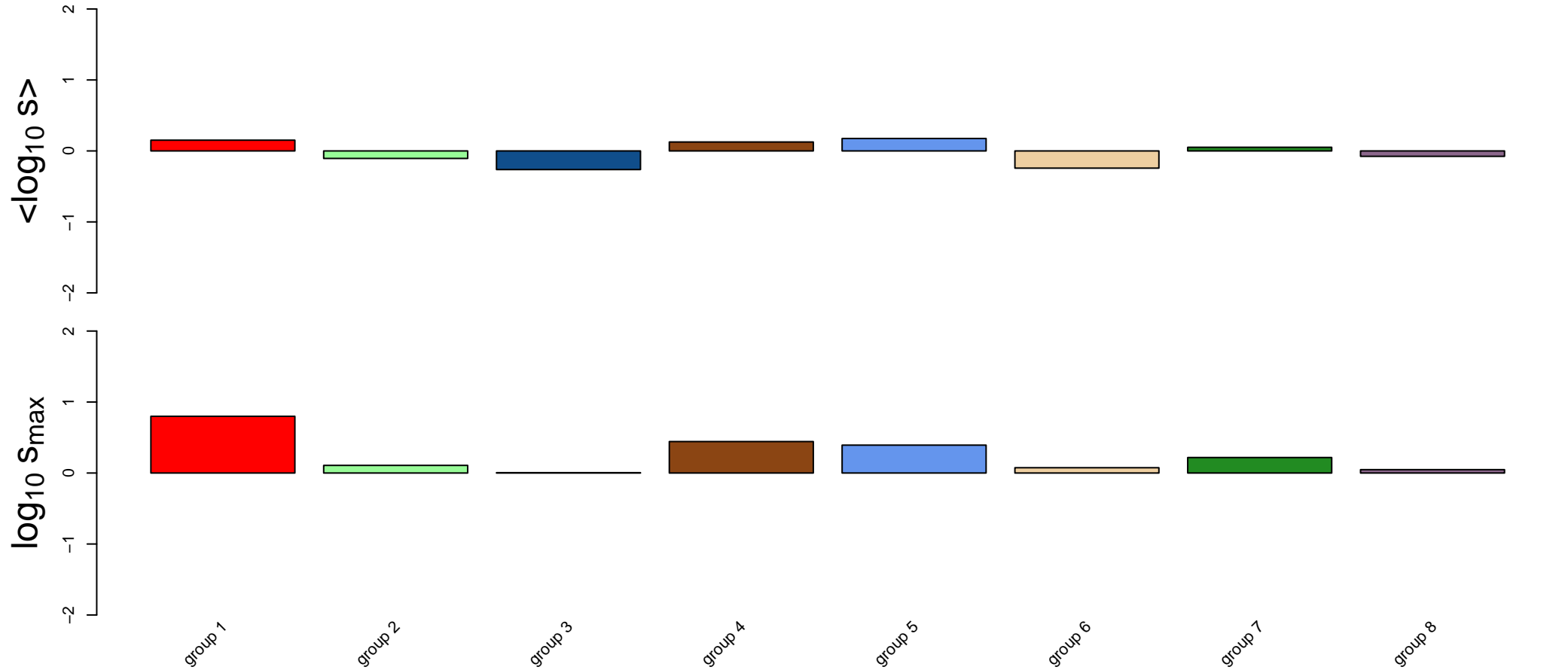
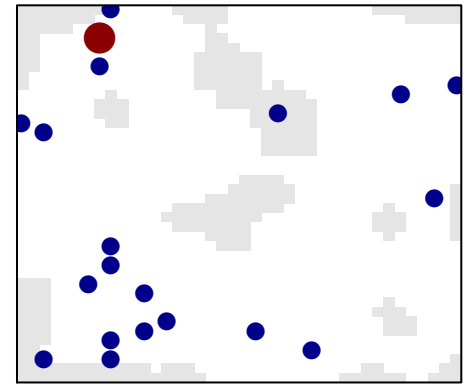


TGF-beta signaling pathway

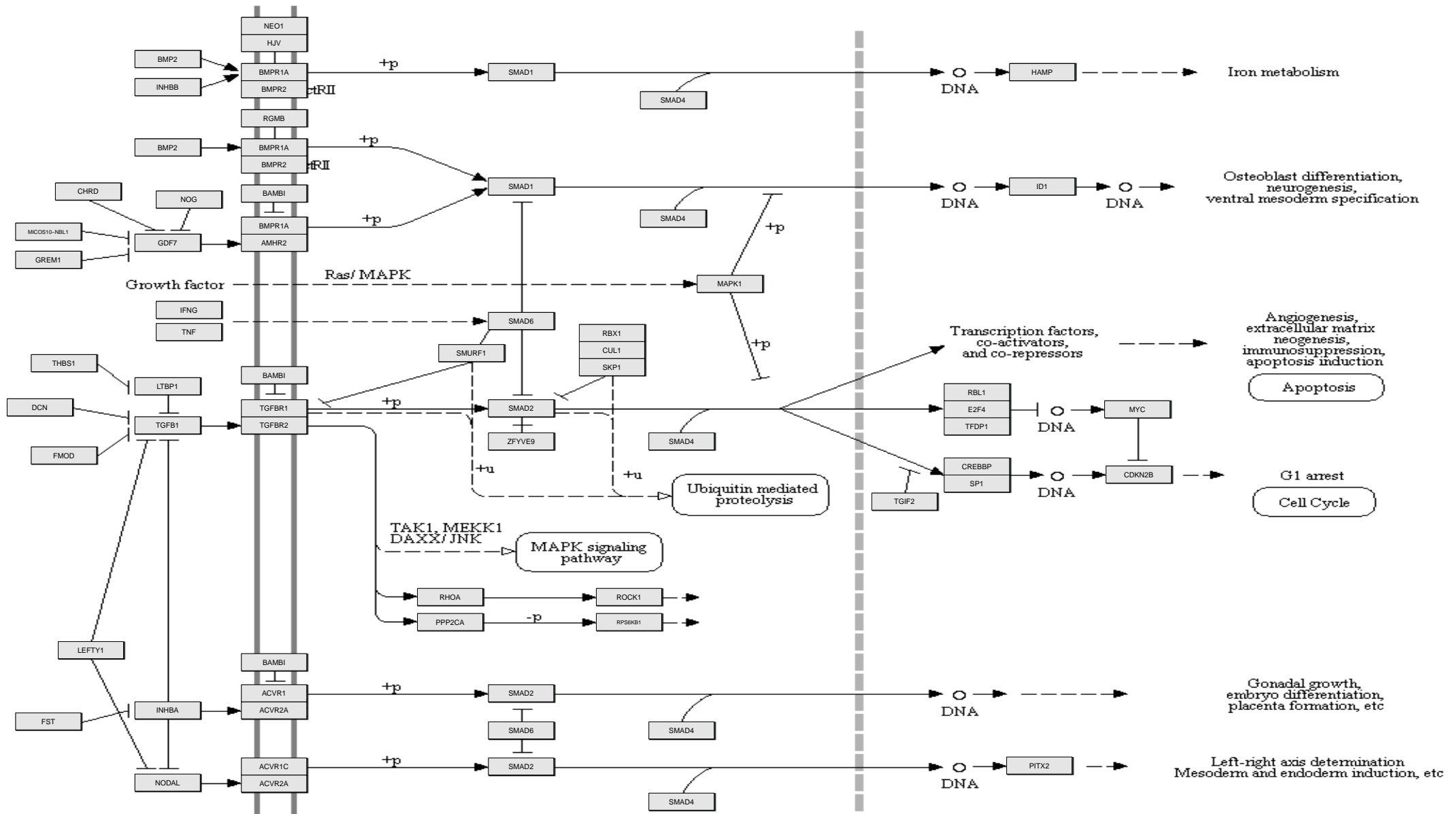
all genes



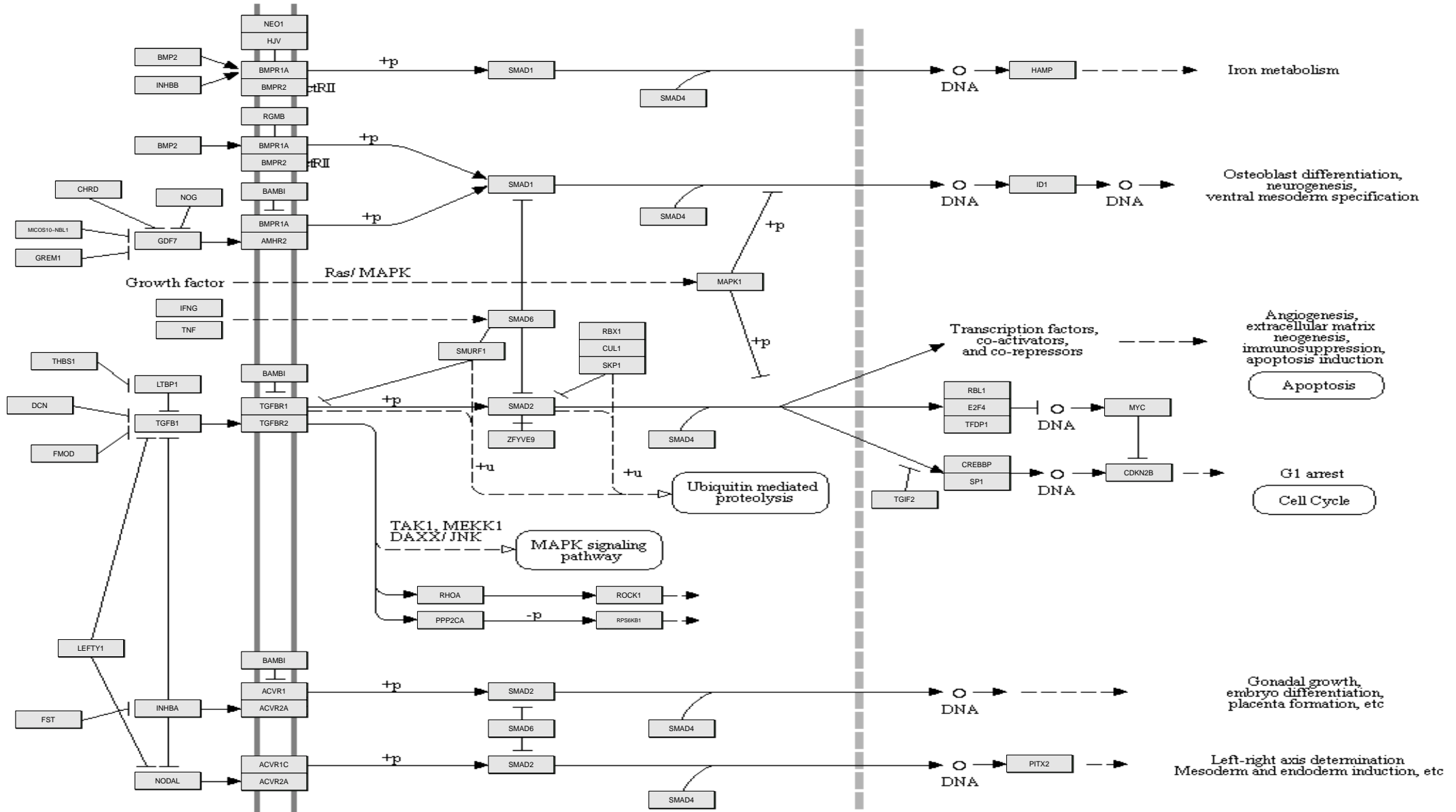
sink node genes



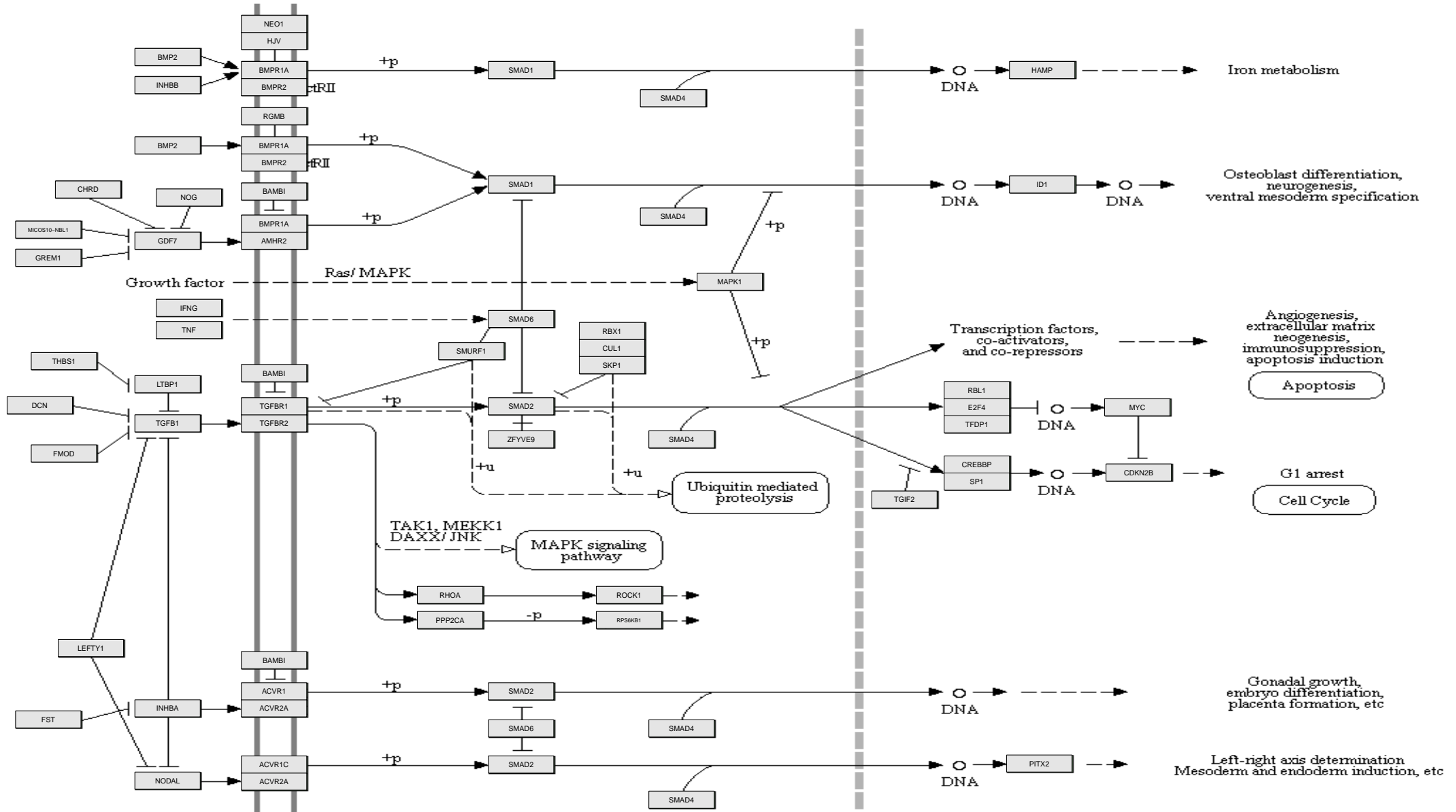
TGF_beta_signaling_pathway
genes with data



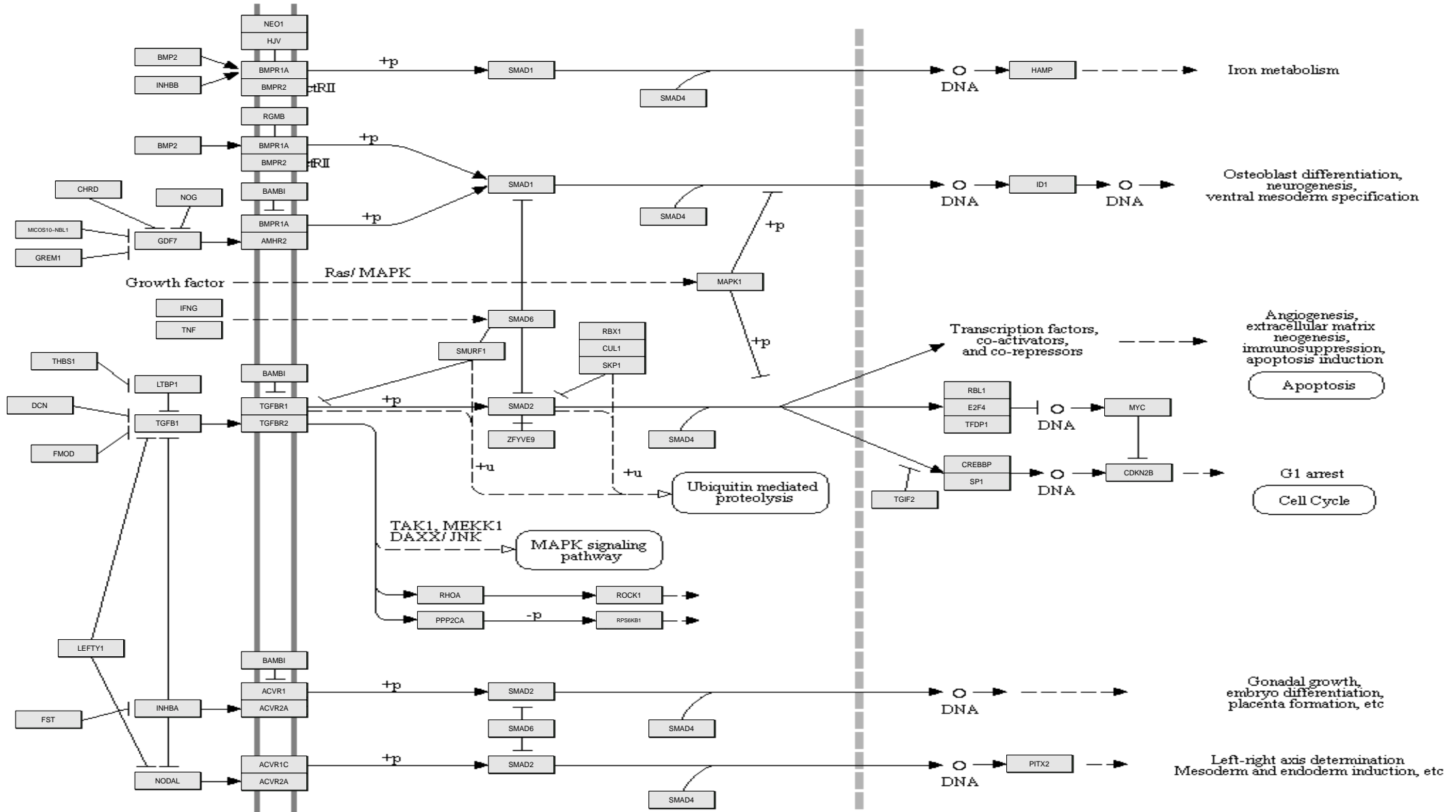
TGF_beta_signaling_pathway
sink nodes



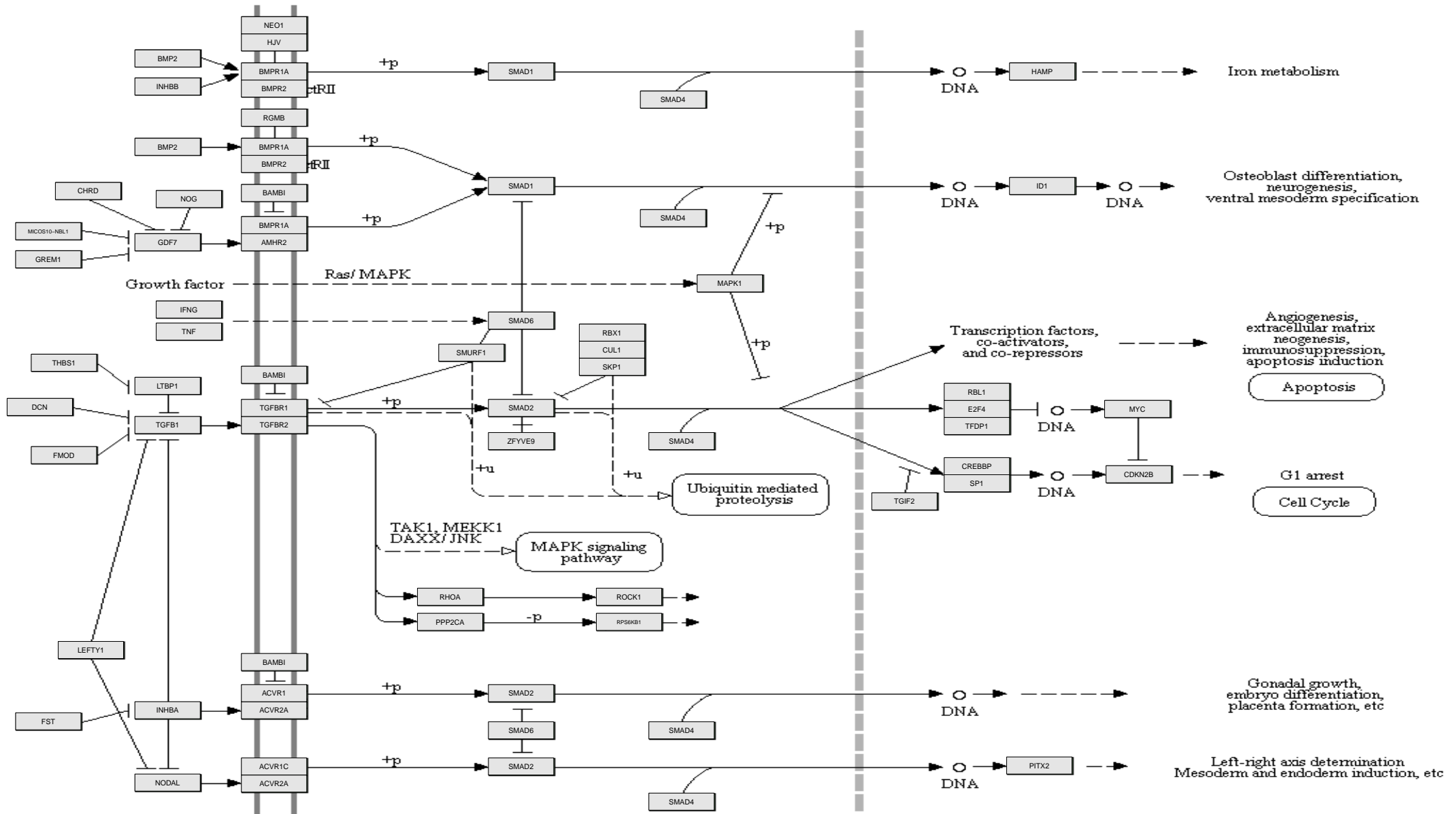
TGF_beta_signaling_pathway
group 1



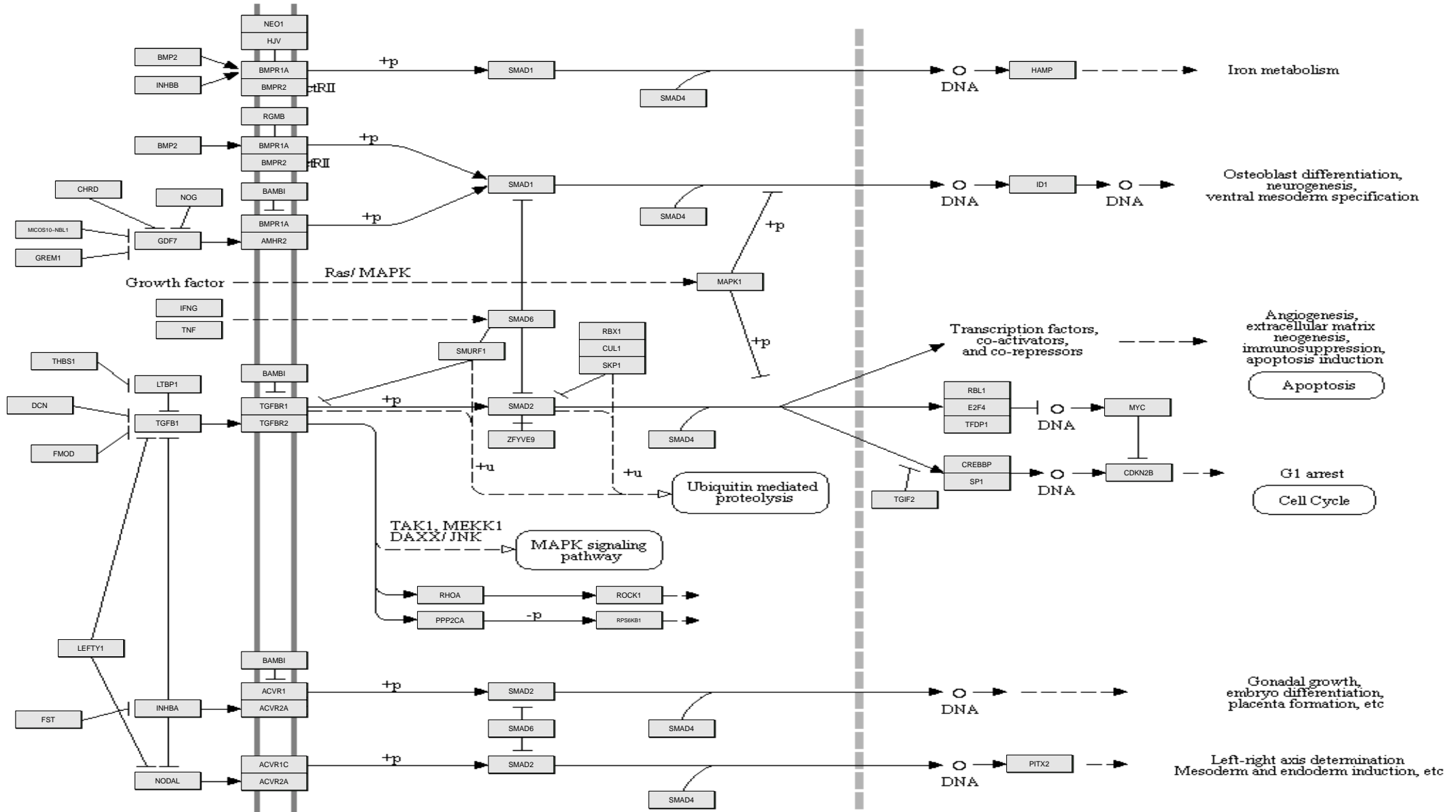
TGF_beta_signaling_pathway
group 2



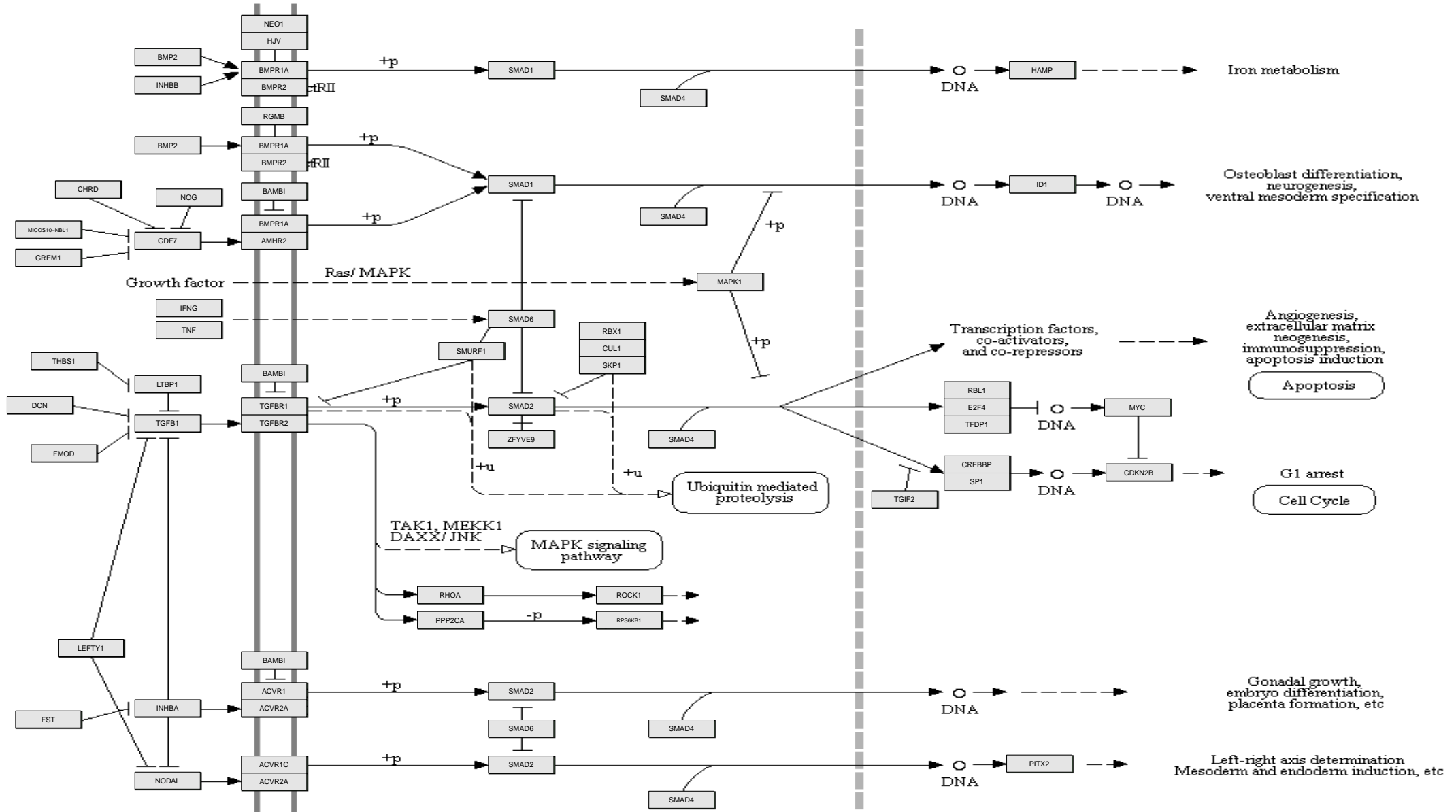
TGF_beta_signaling_pathway
group 3



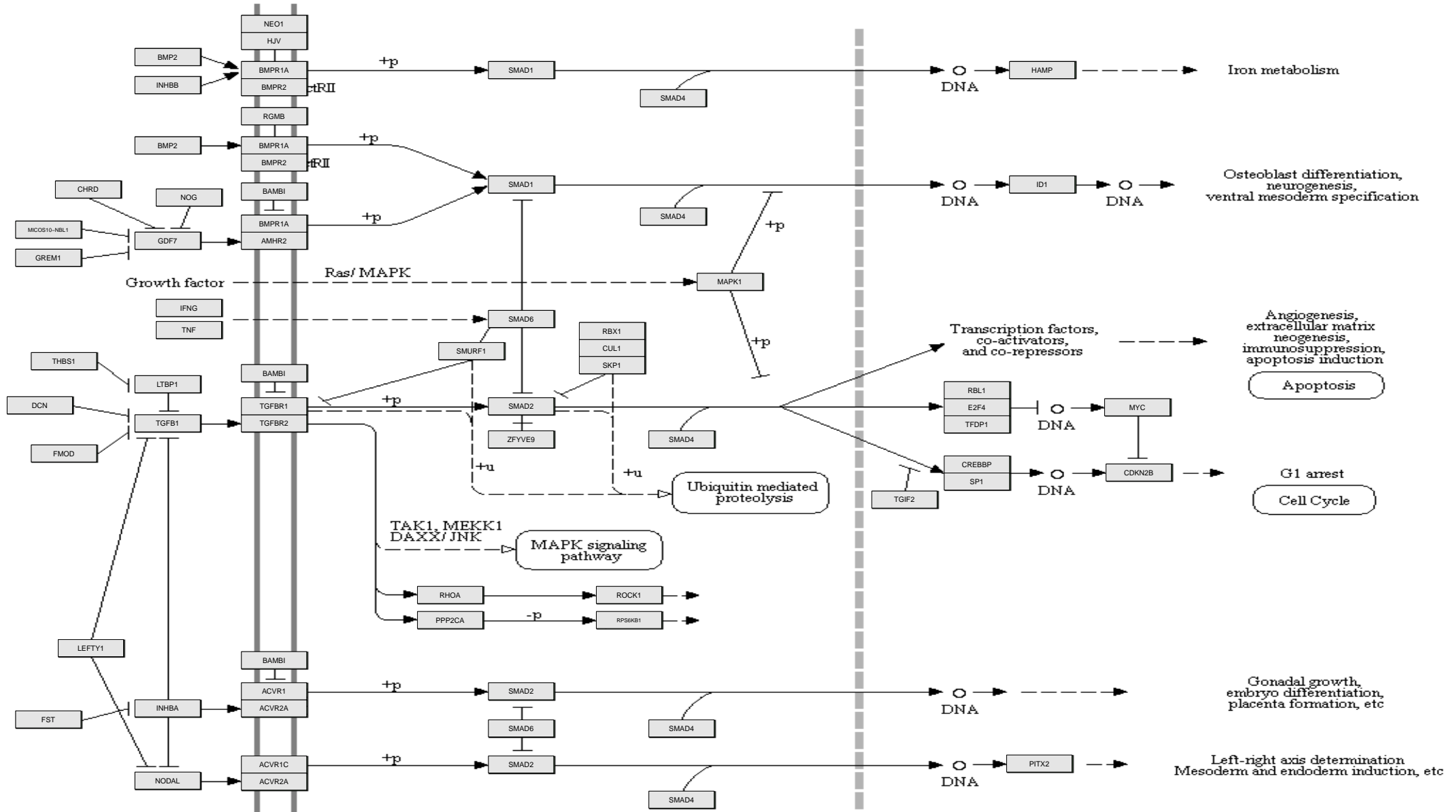
TGF_beta_signaling_pathway
group 4



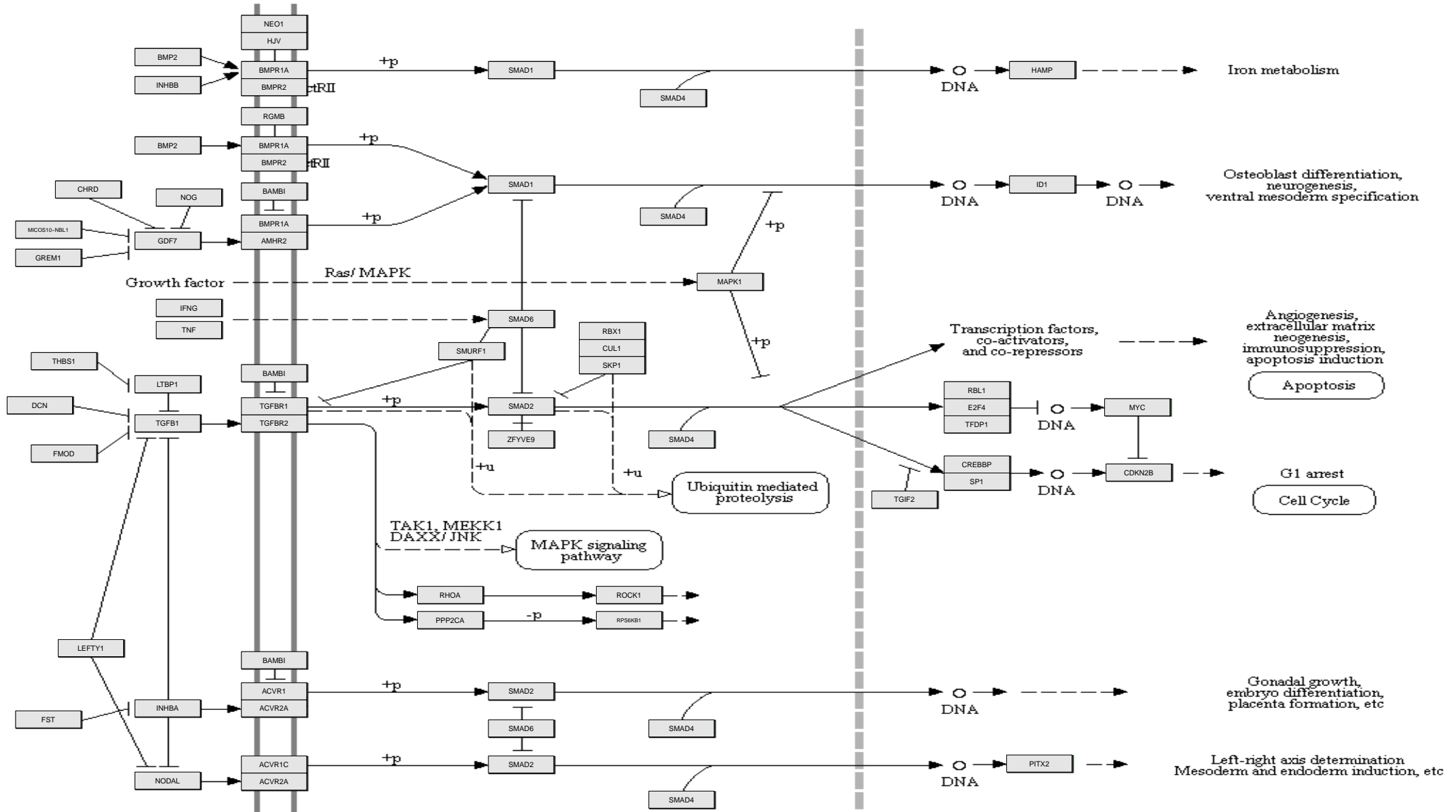
TGF_beta_signaling_pathway group 5



TGF_beta_signaling_pathway
group 6



TGF_beta_signaling_pathway
group 7



TGF_beta_signaling_pathway
group 8

