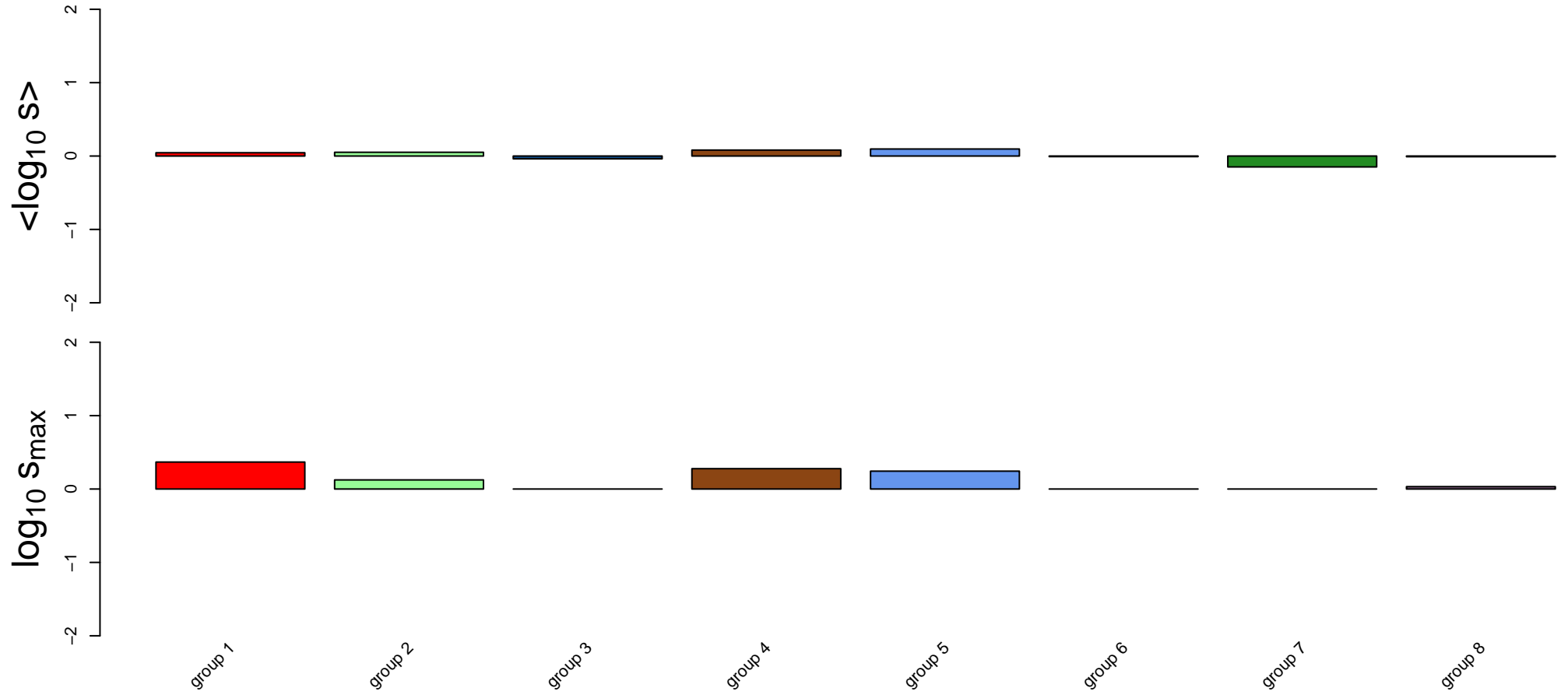
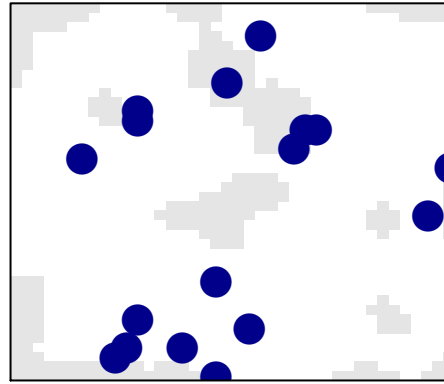
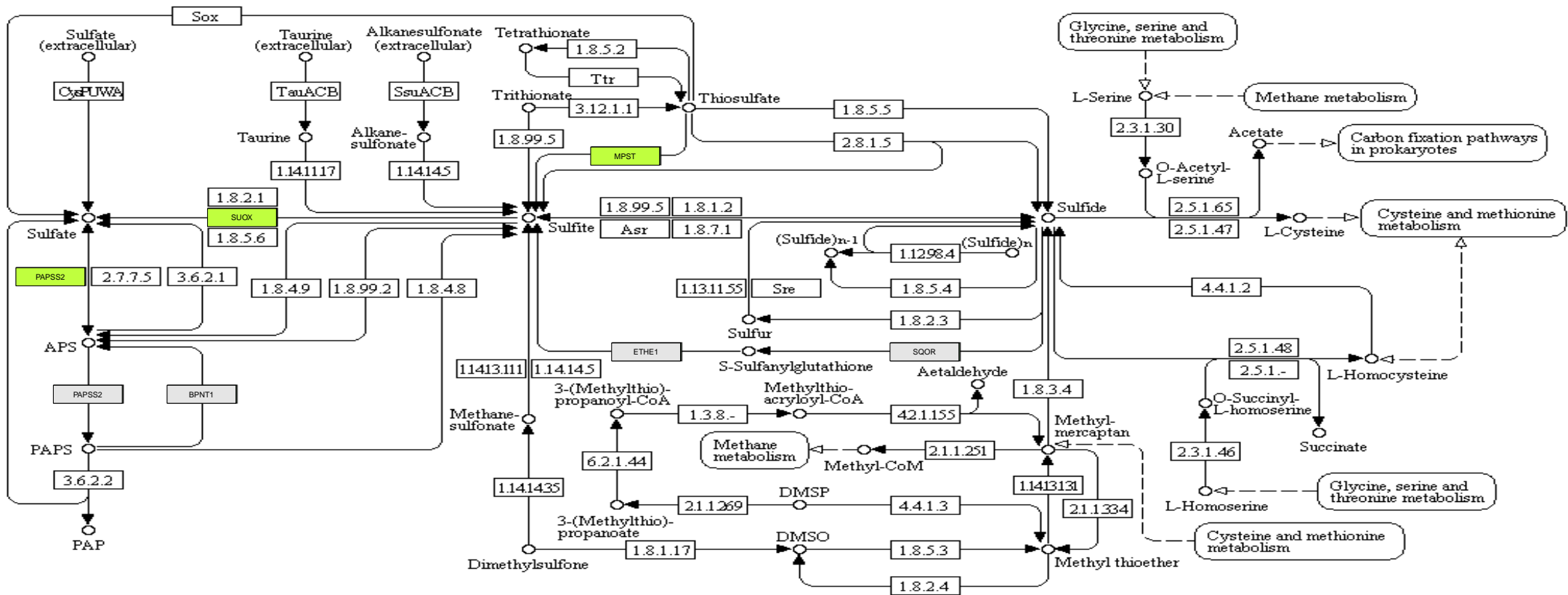


Sulfur metabolism

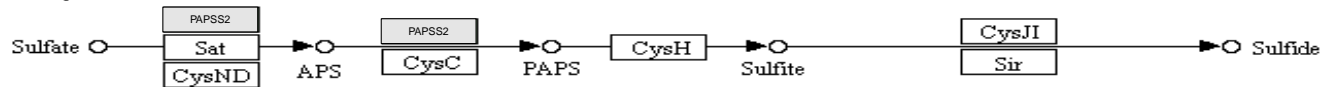
all genes



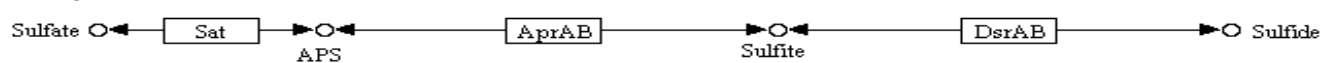


Oxidation state +6 +4 +2 -2

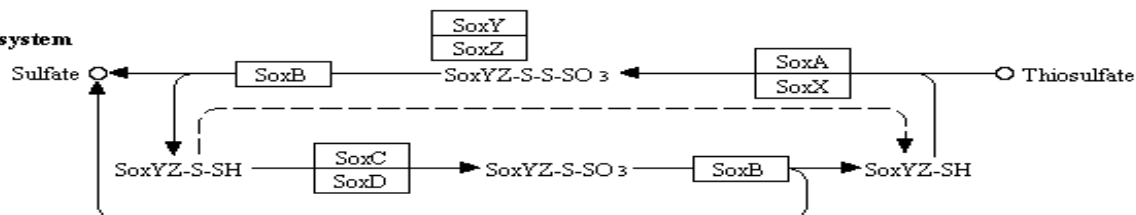
Assimilatory sulfate reduction



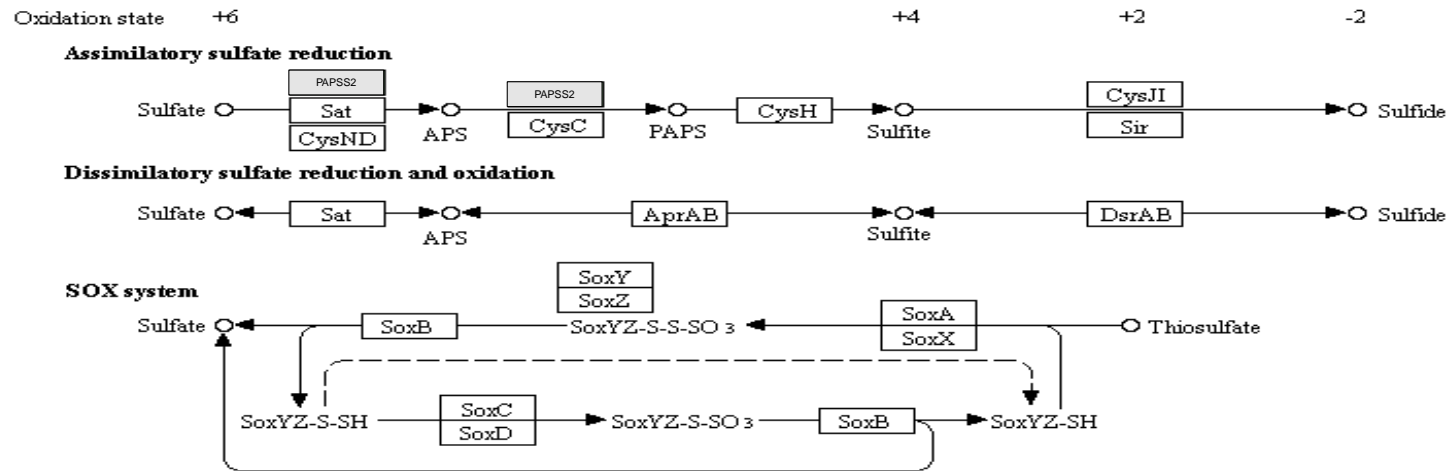
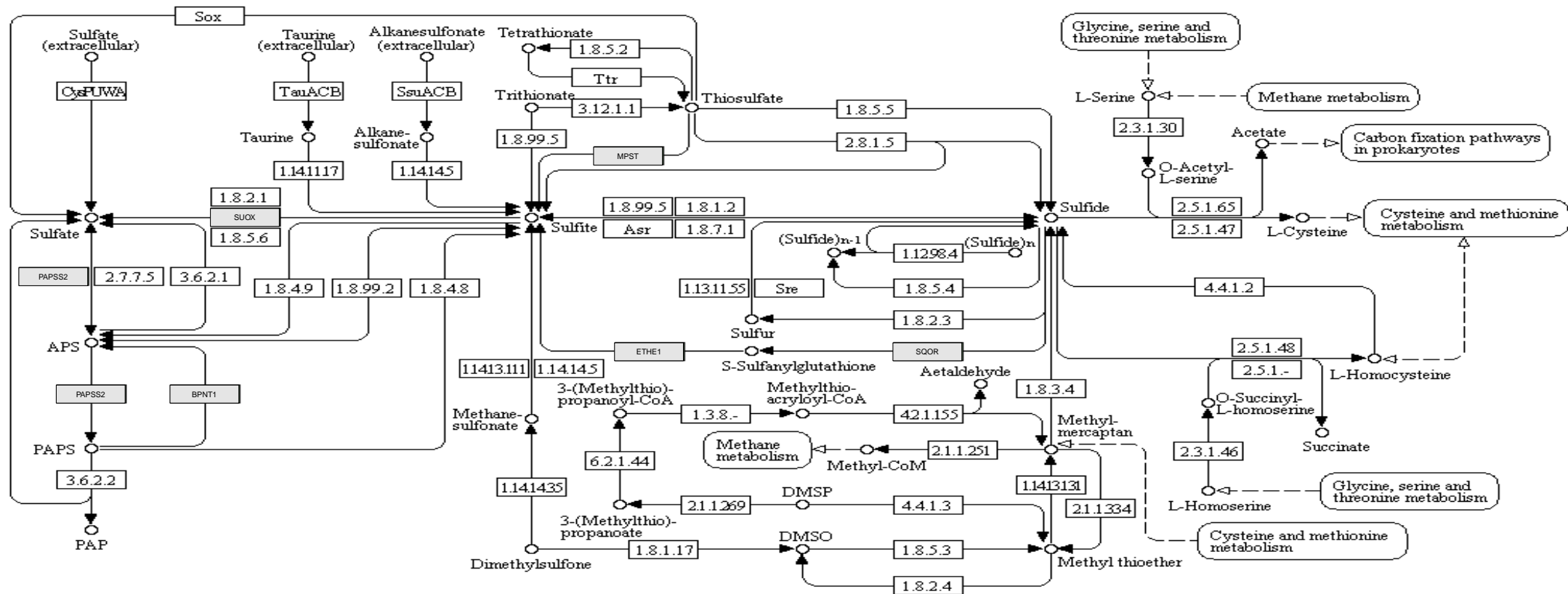
Dissimilatory sulfate reduction and oxidation



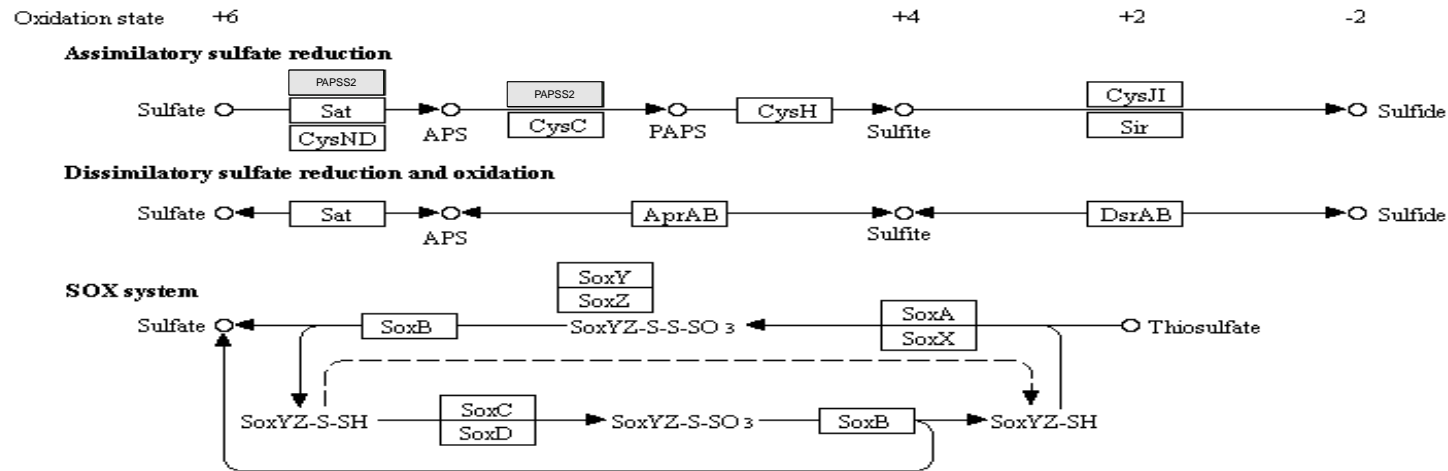
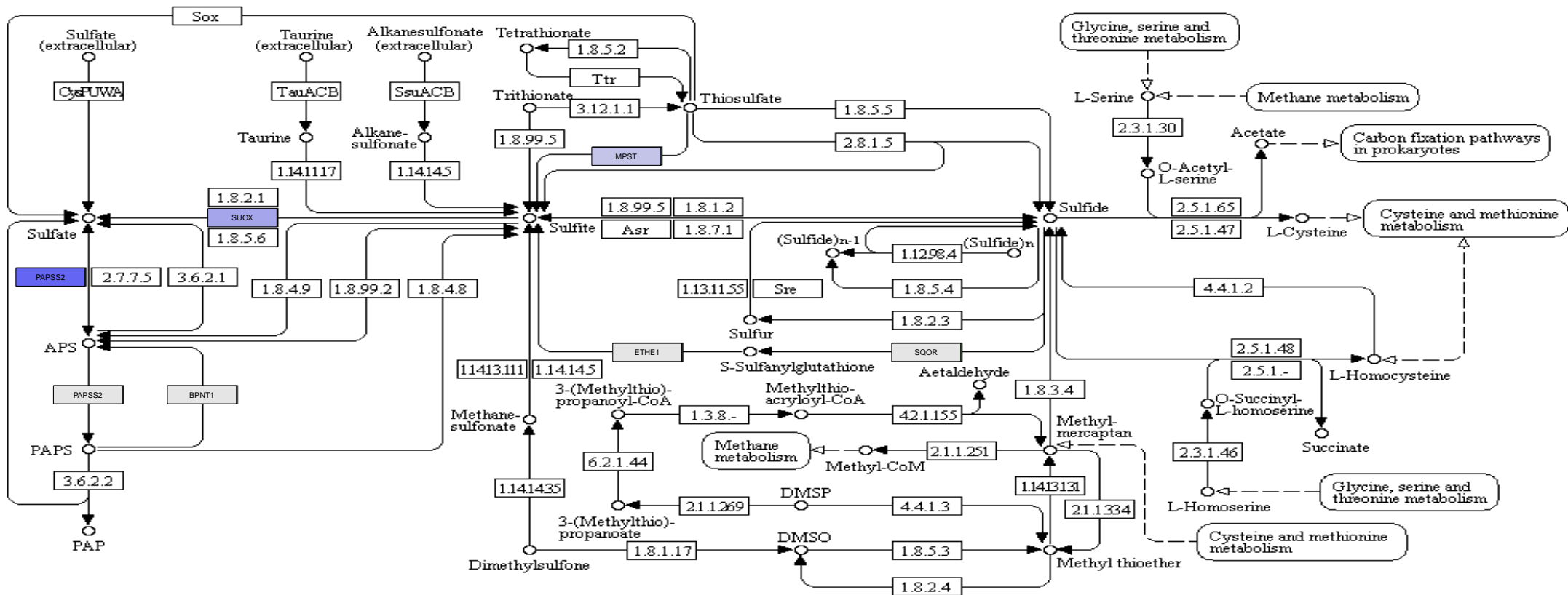
SOX system



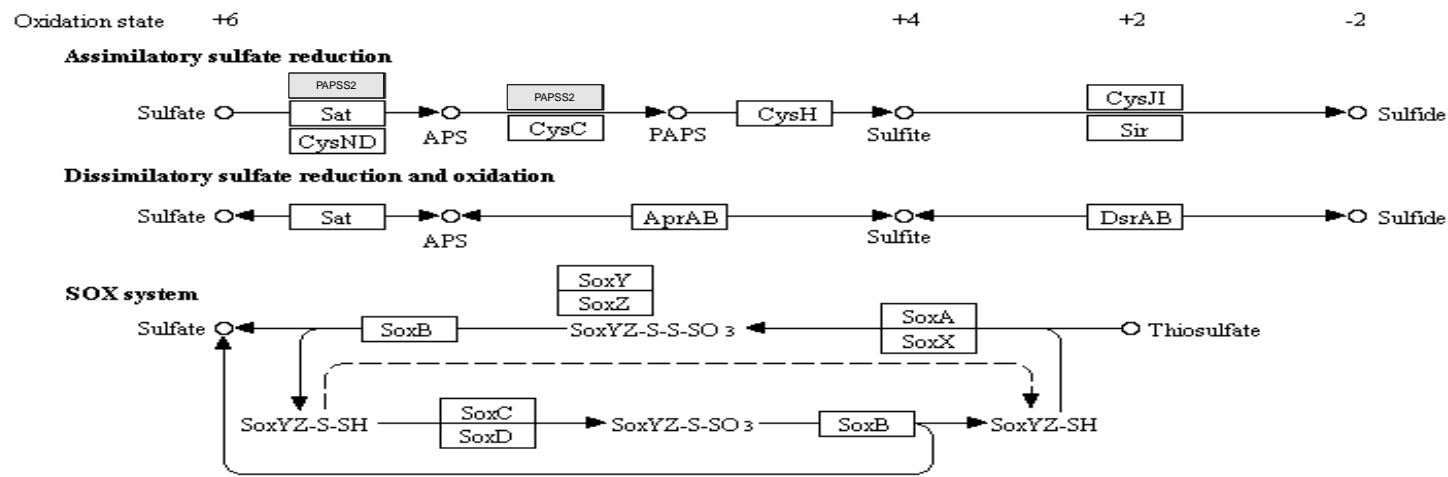
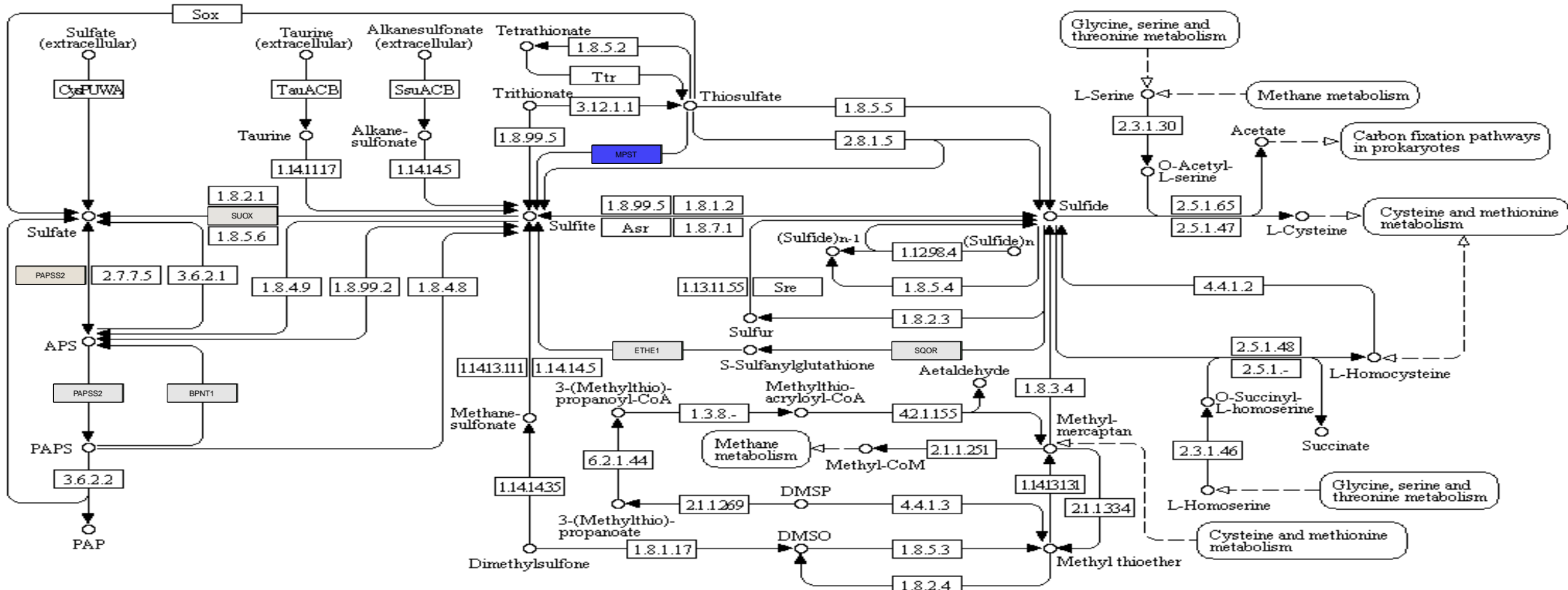
Sulfur_metabolism
sink nodes



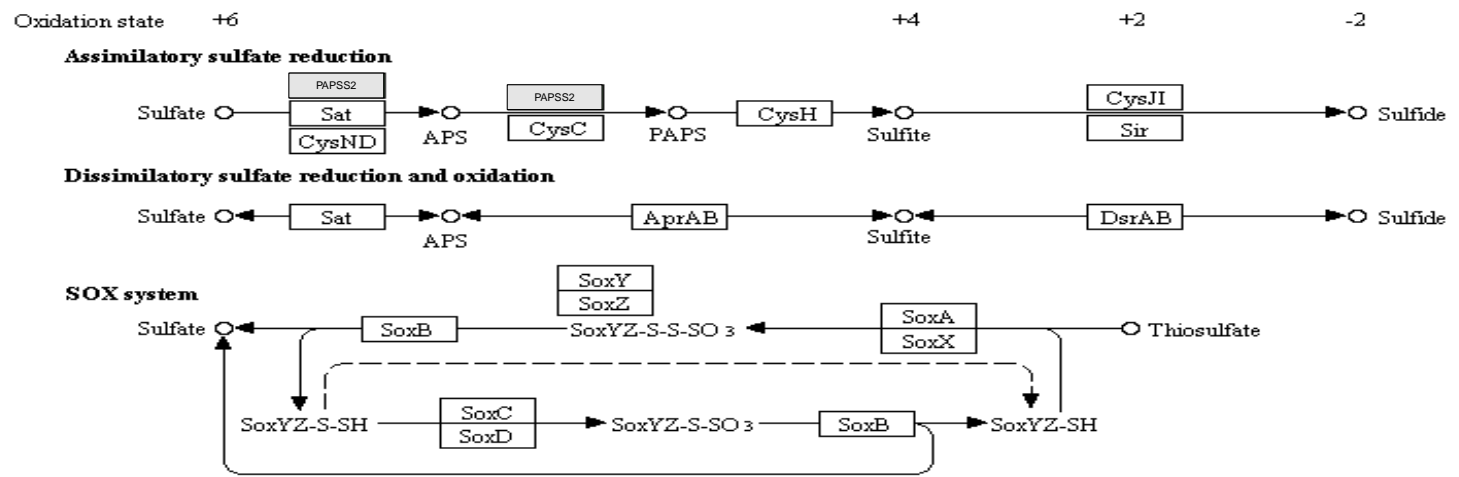
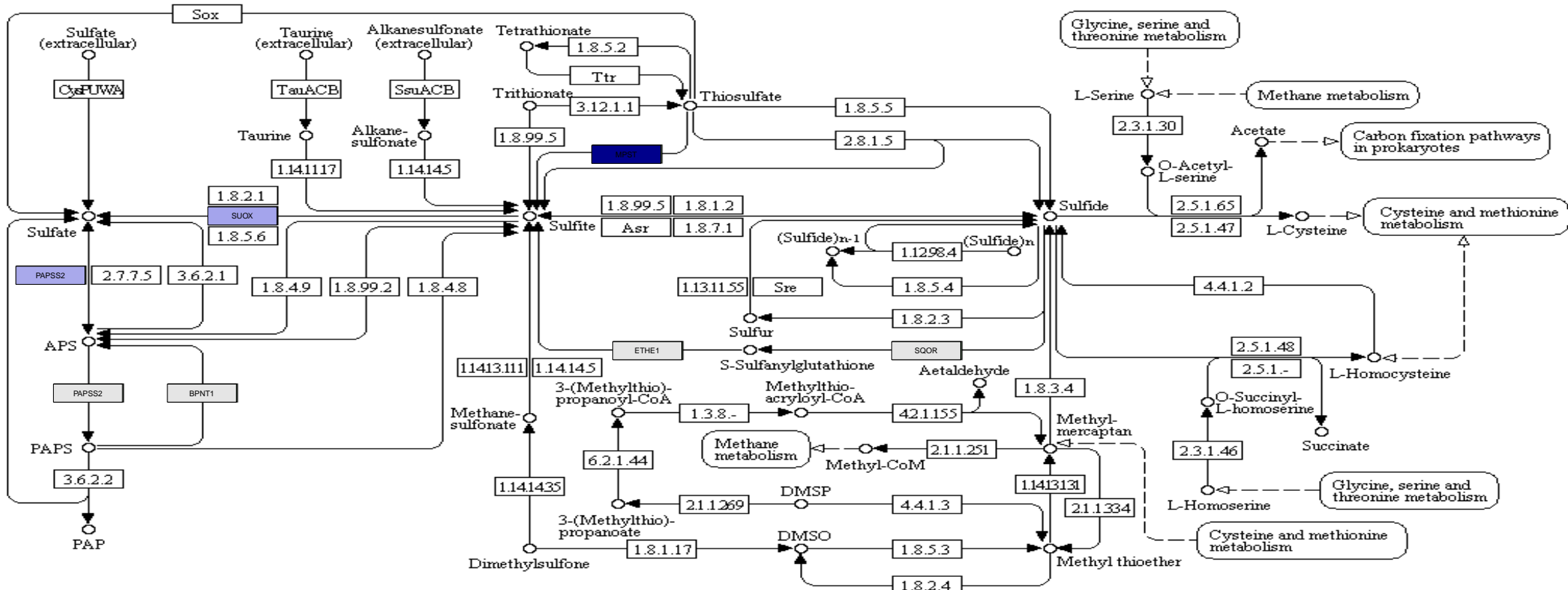
Sulfur_metabolism group 1



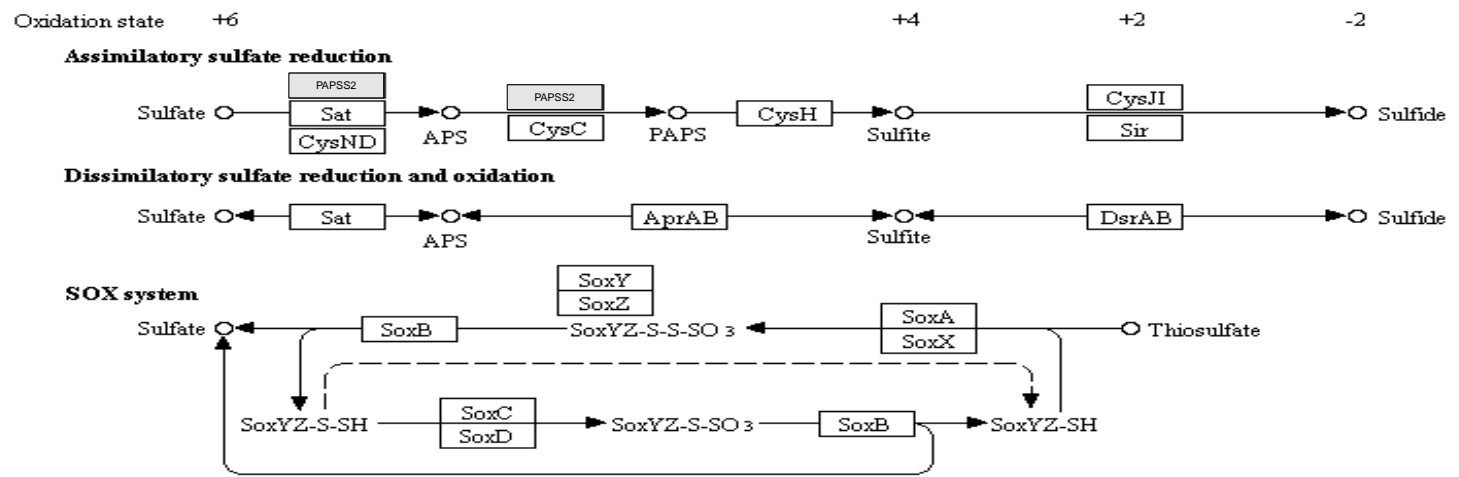
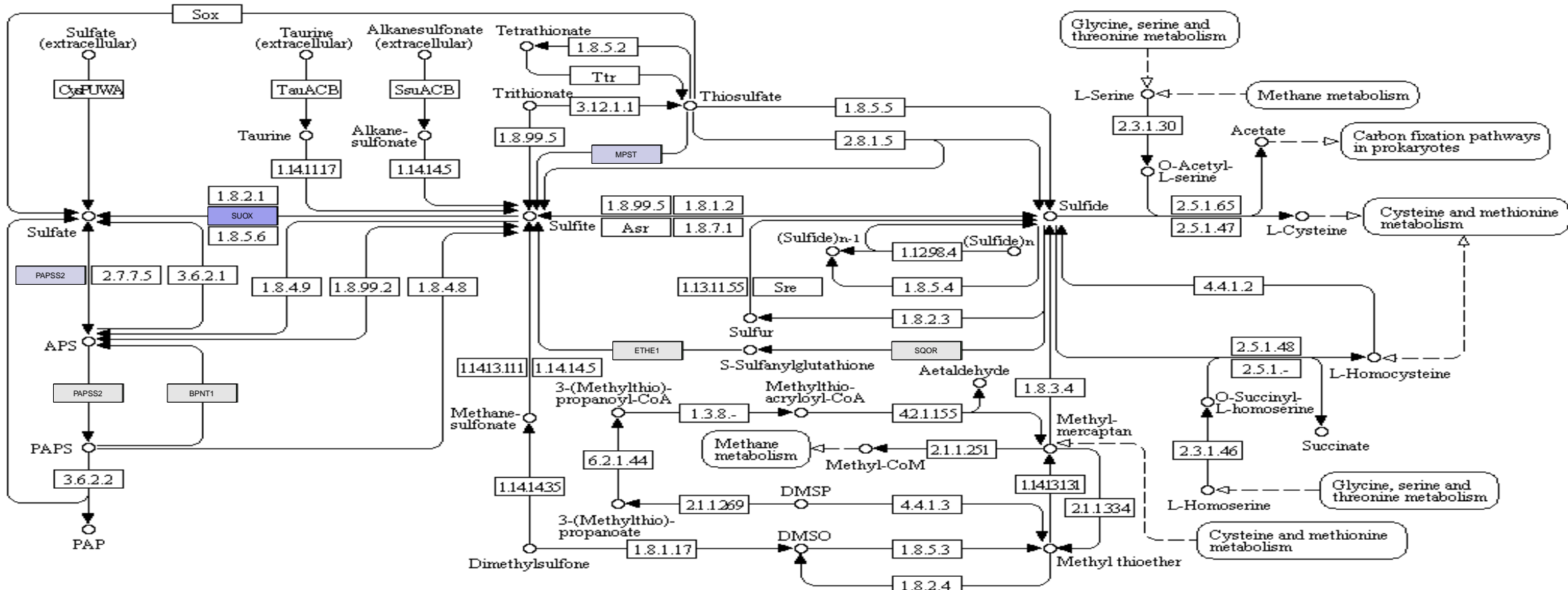
Sulfur_metabolism group 2



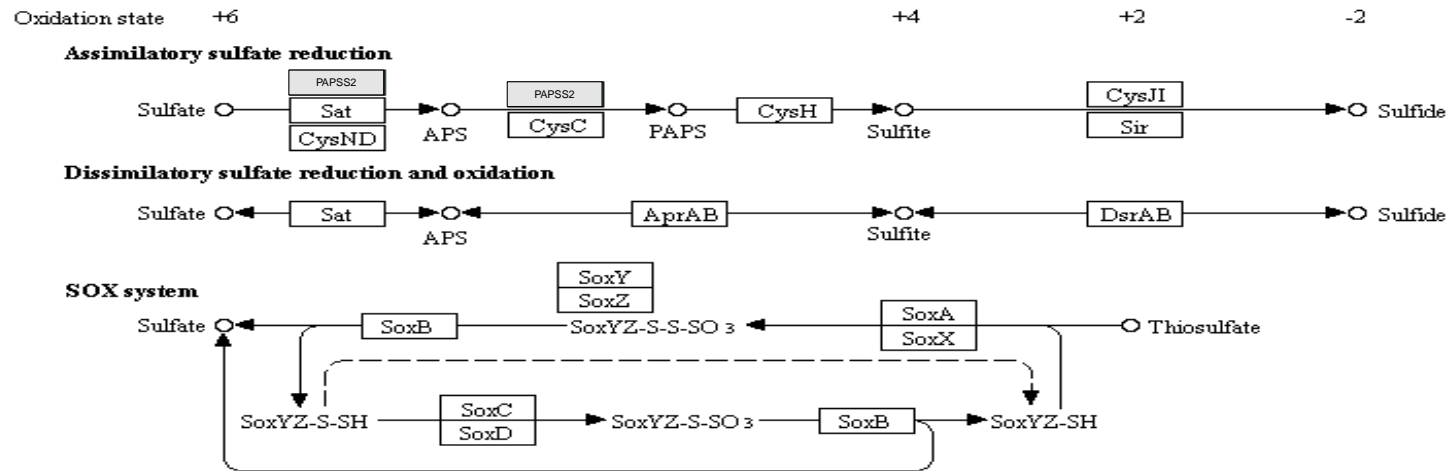
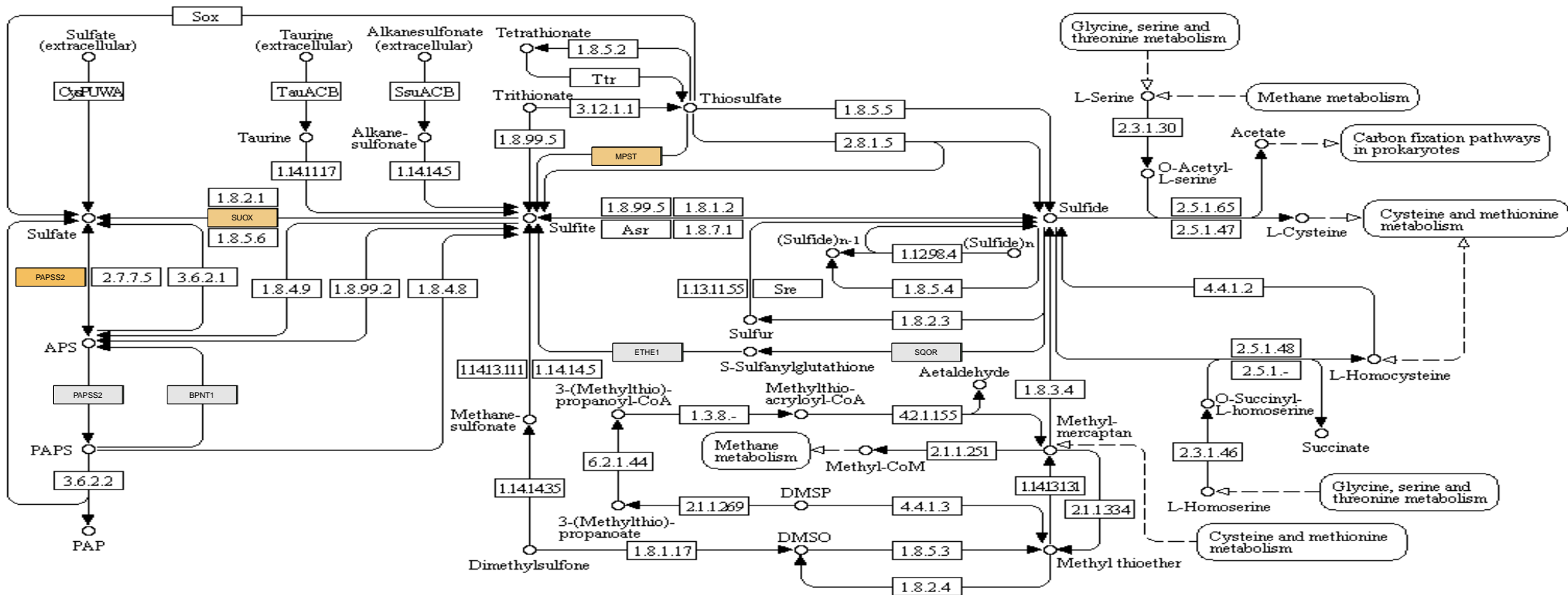
Sulfur_metabolism group 3



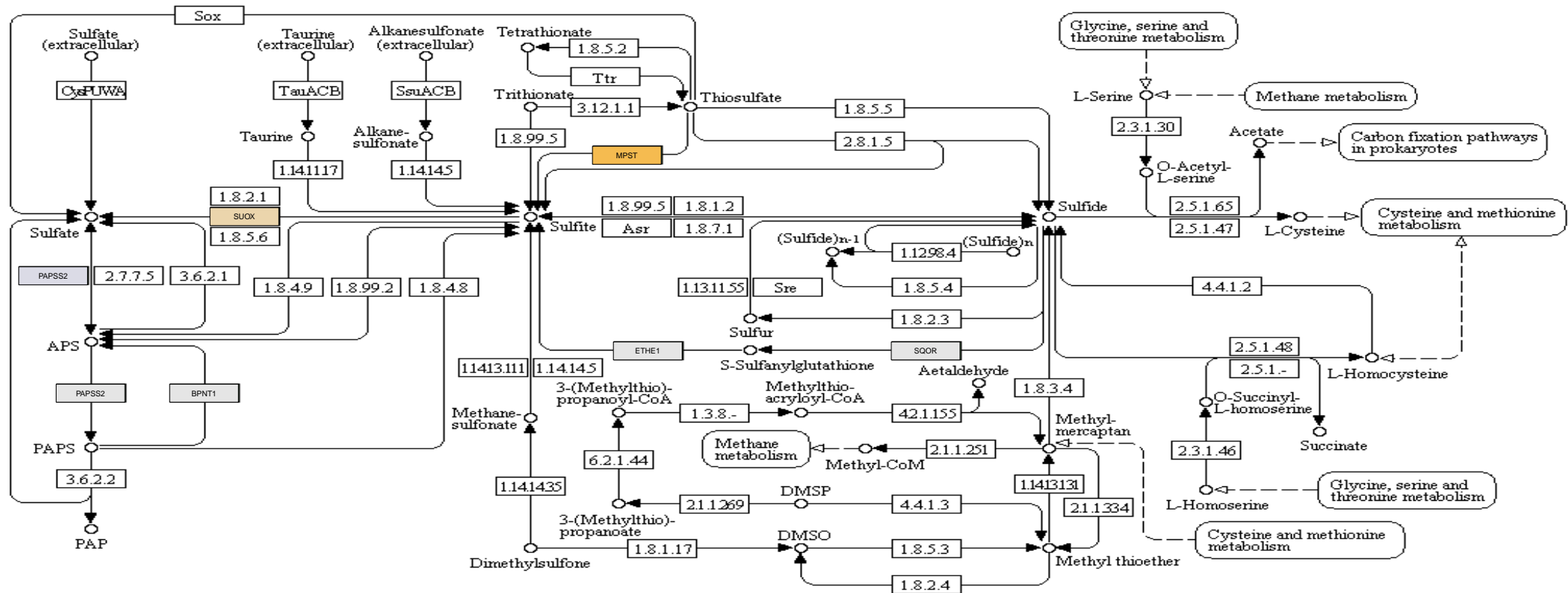
Sulfur_metabolism group 4



Sulfur_metabolism group 5



Sulfur_metabolism group 6



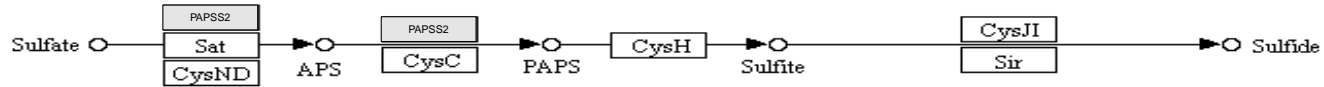
Oxidation state +6

+4

+2

-2

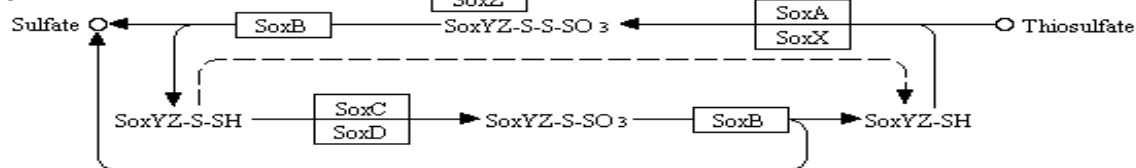
Assimilatory sulfate reduction



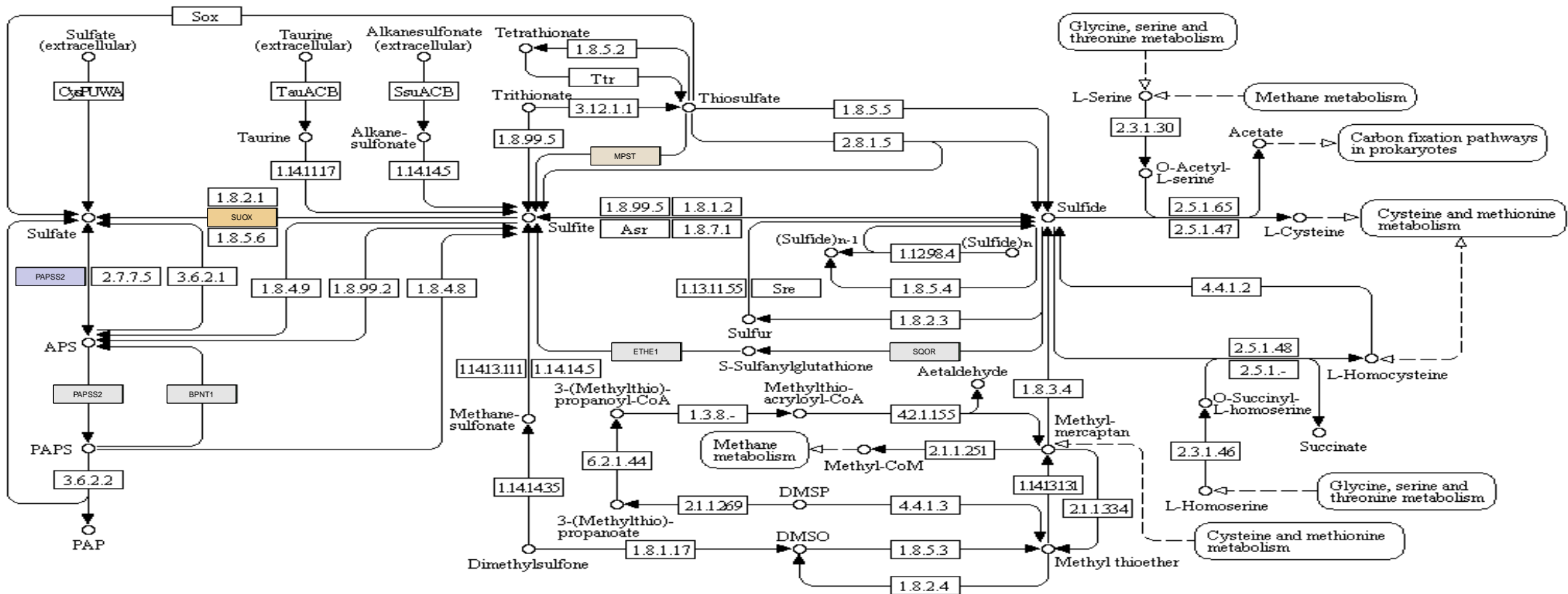
Dissimilatory sulfate reduction and oxidation



SOX system



Sulfur_metabolism
group 7



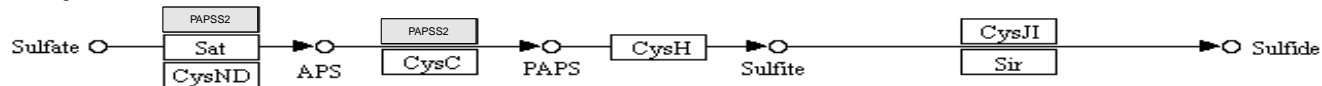
Oxidation state +6

+4

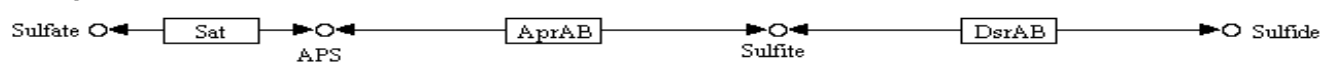
+2

-2

Assimilatory sulfate reduction



Dissimilatory sulfate reduction and oxidation



SOX system

