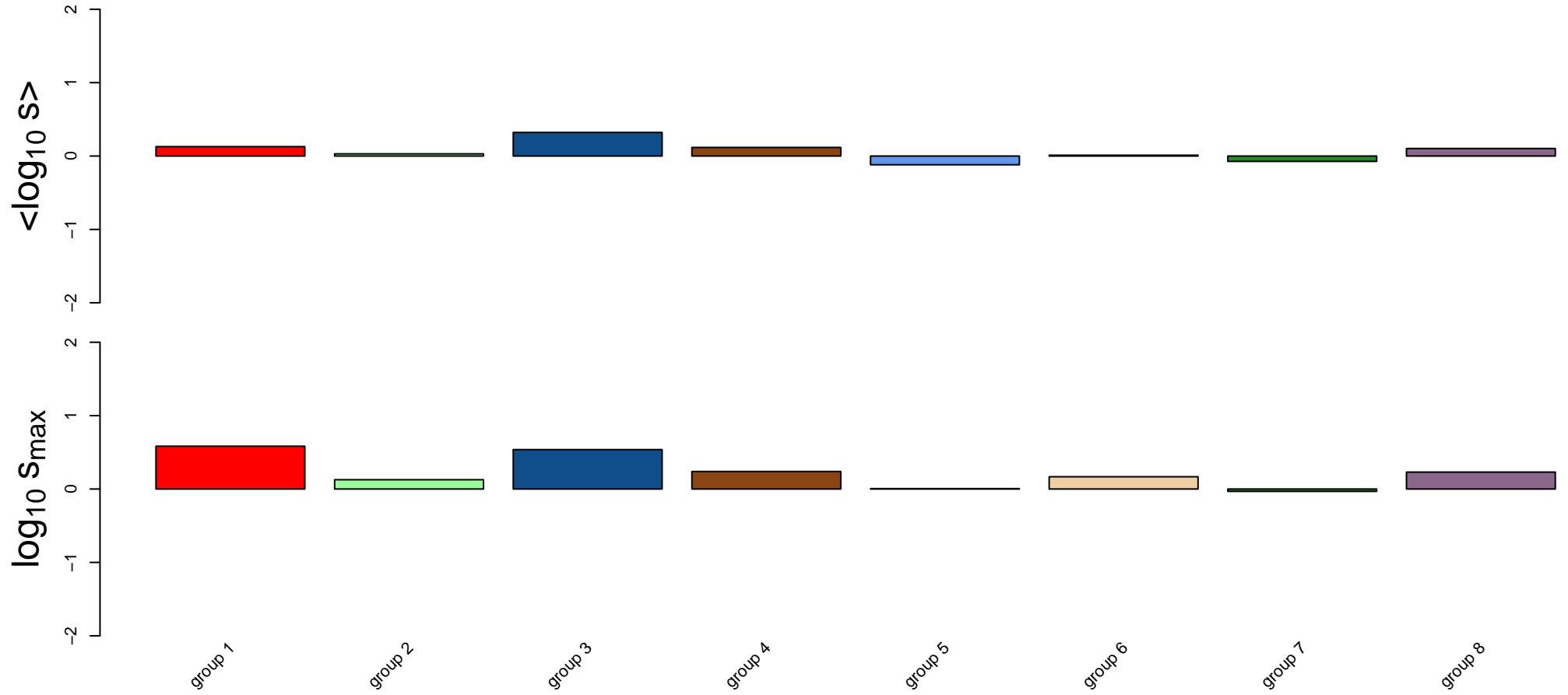
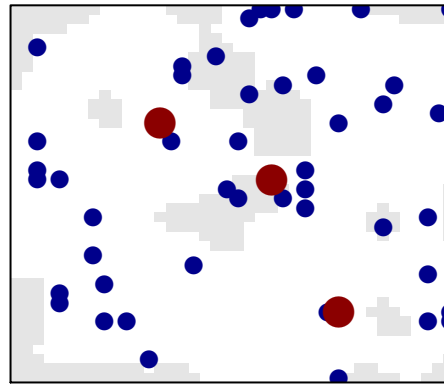
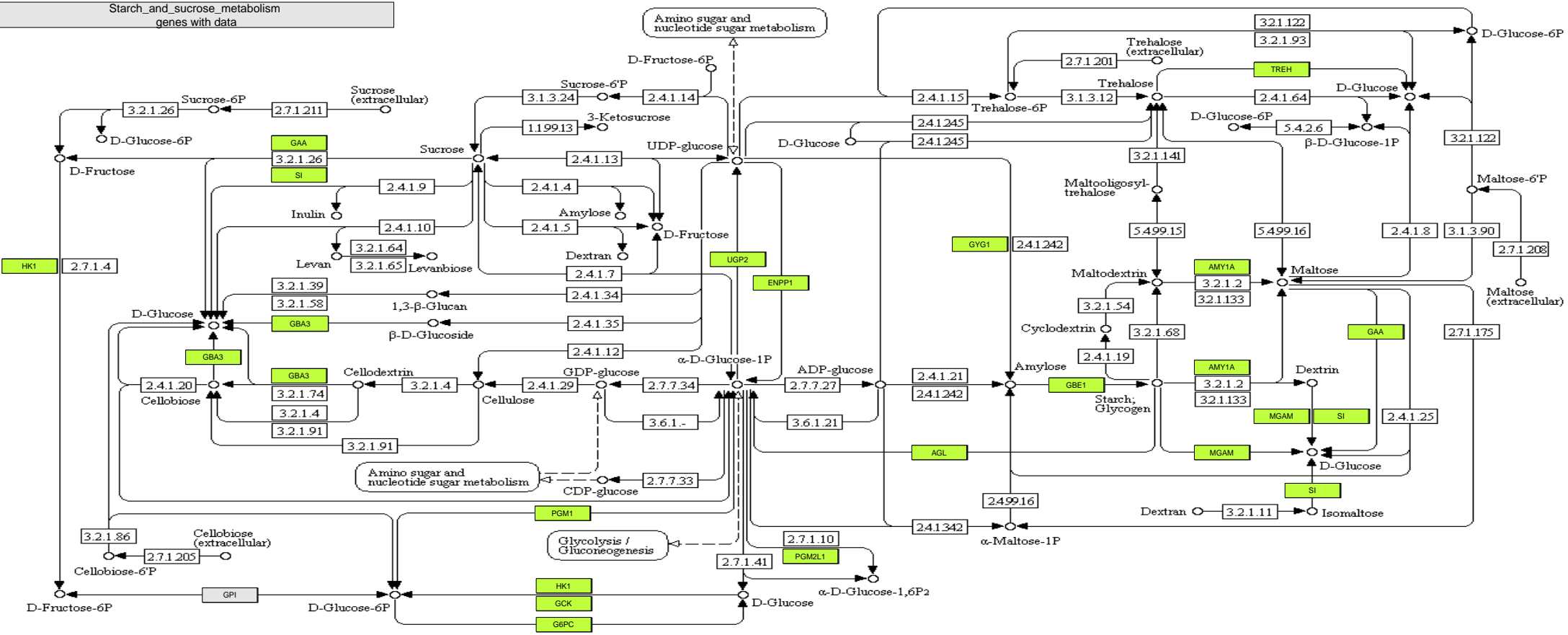


Starch and sucrose metabolism

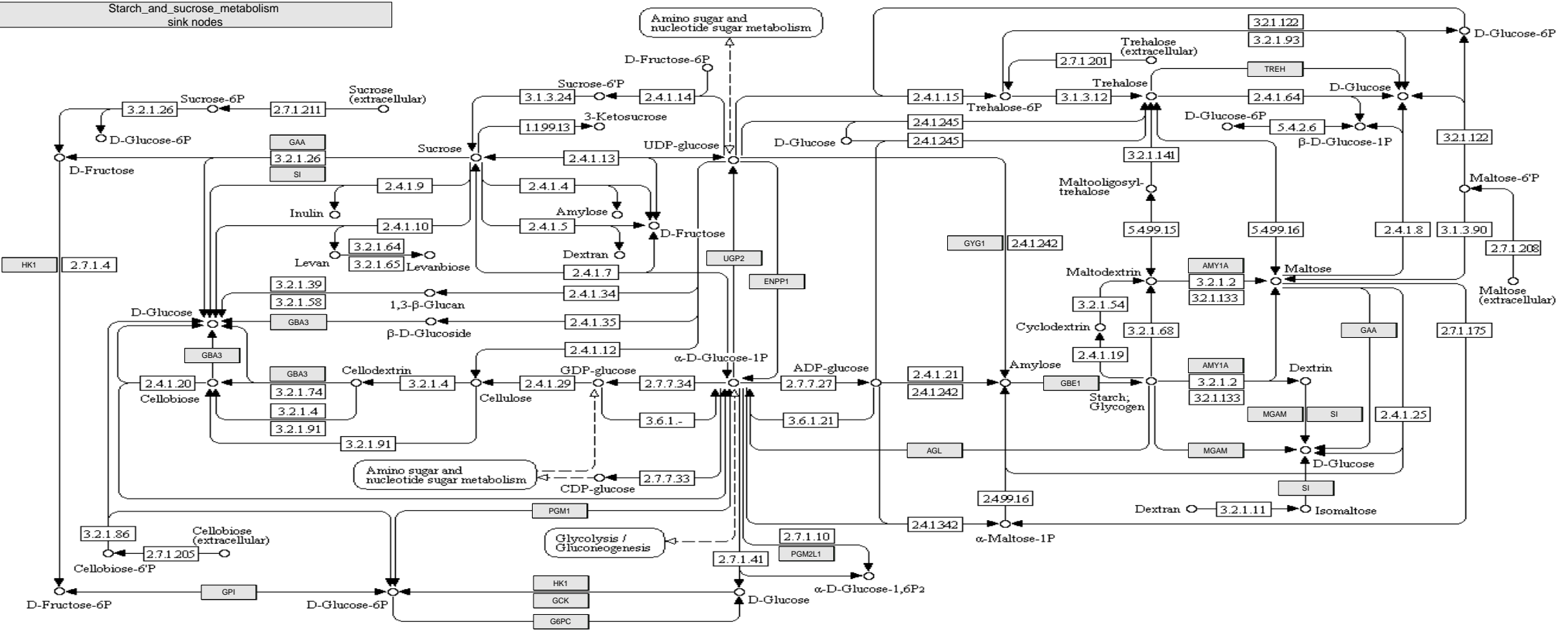
all genes



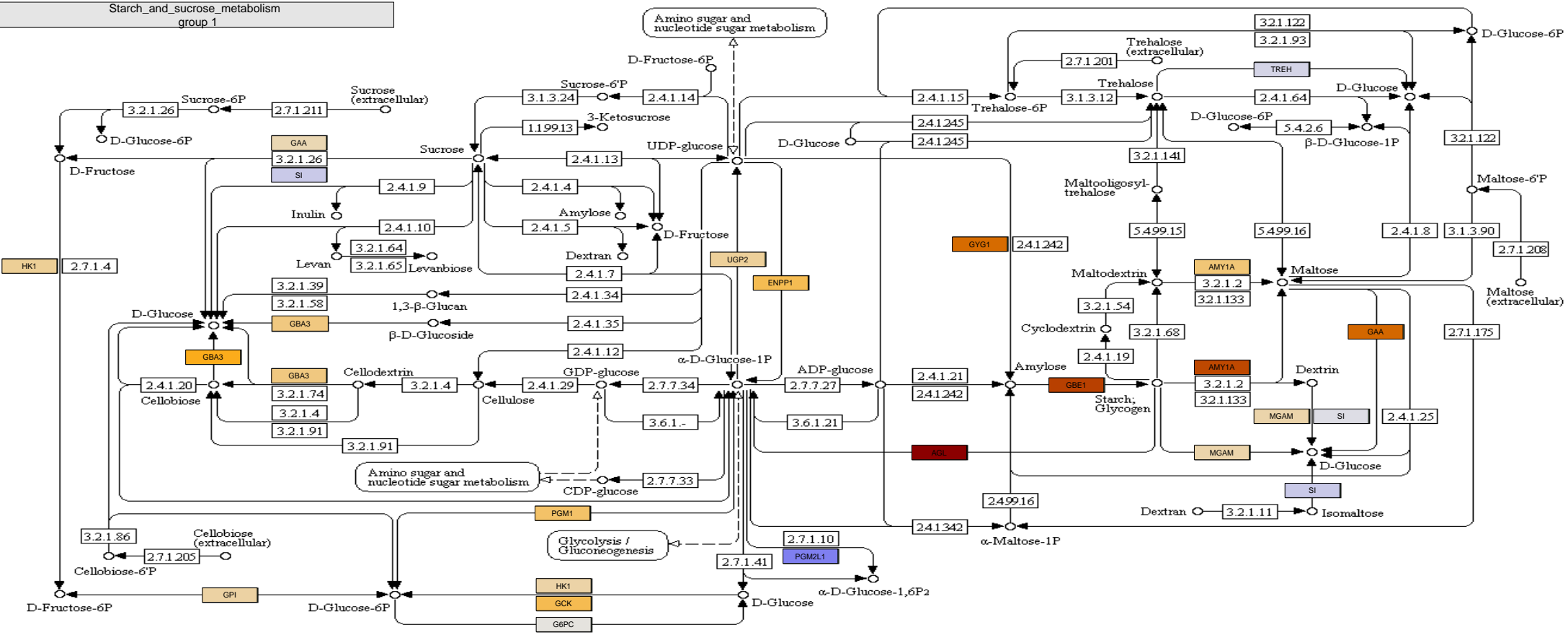
Starch_and_sucrose_metabolism
genes with data



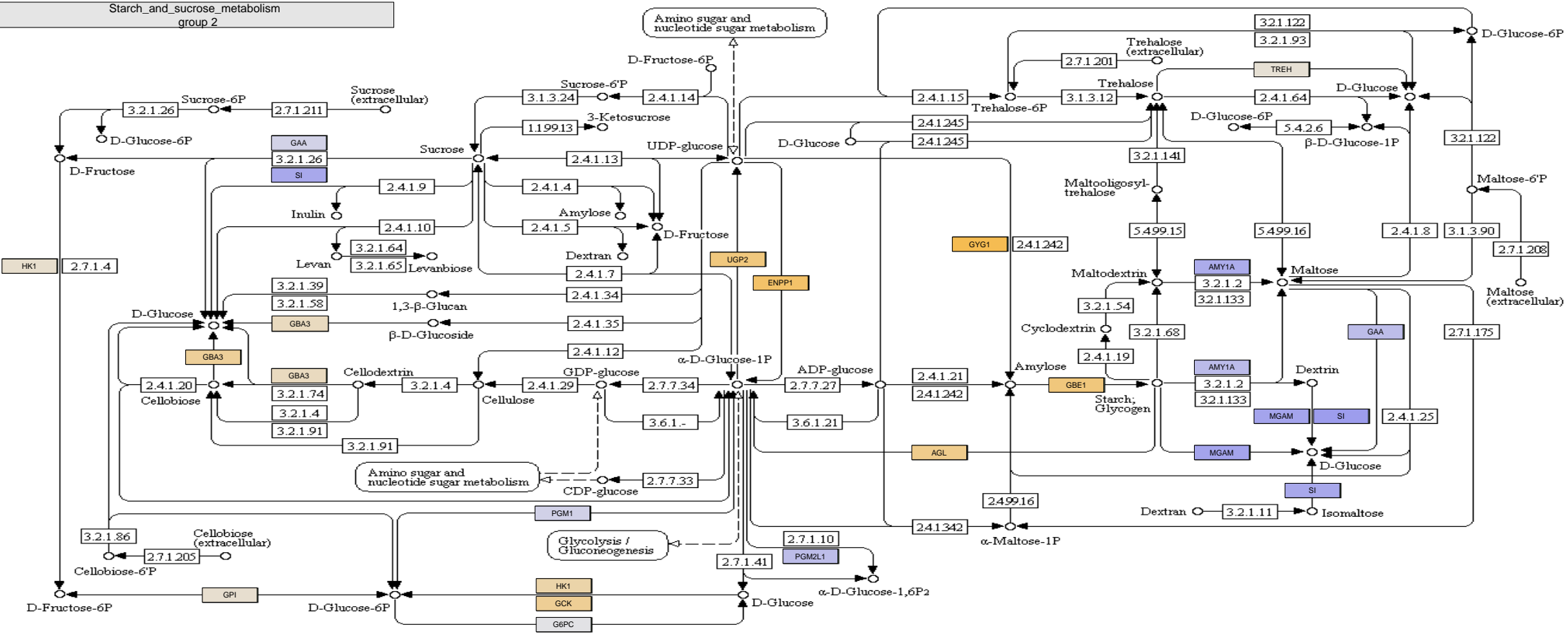
Starch_and_sucrose_metabolism
sink nodes



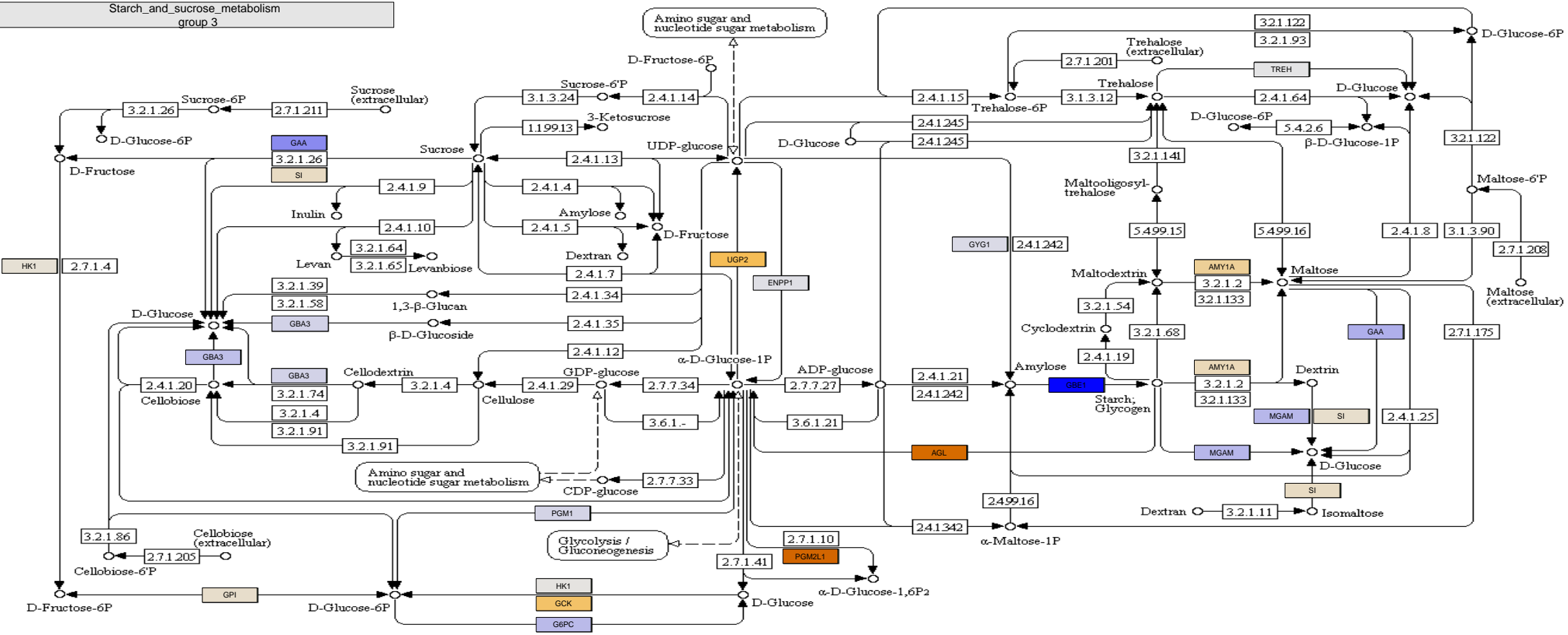
Starch_and_sucrose_metabolism
group 1



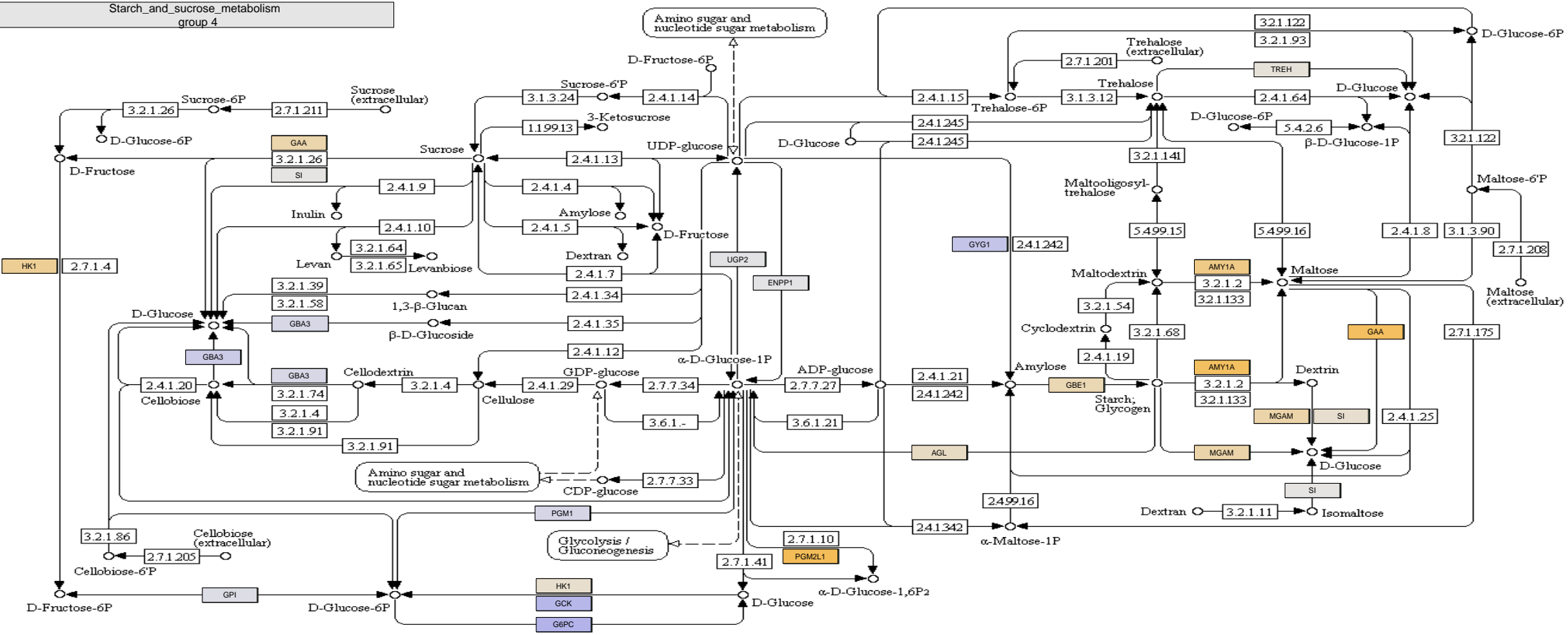
Starch_and_sucrose_metabolism
group 2



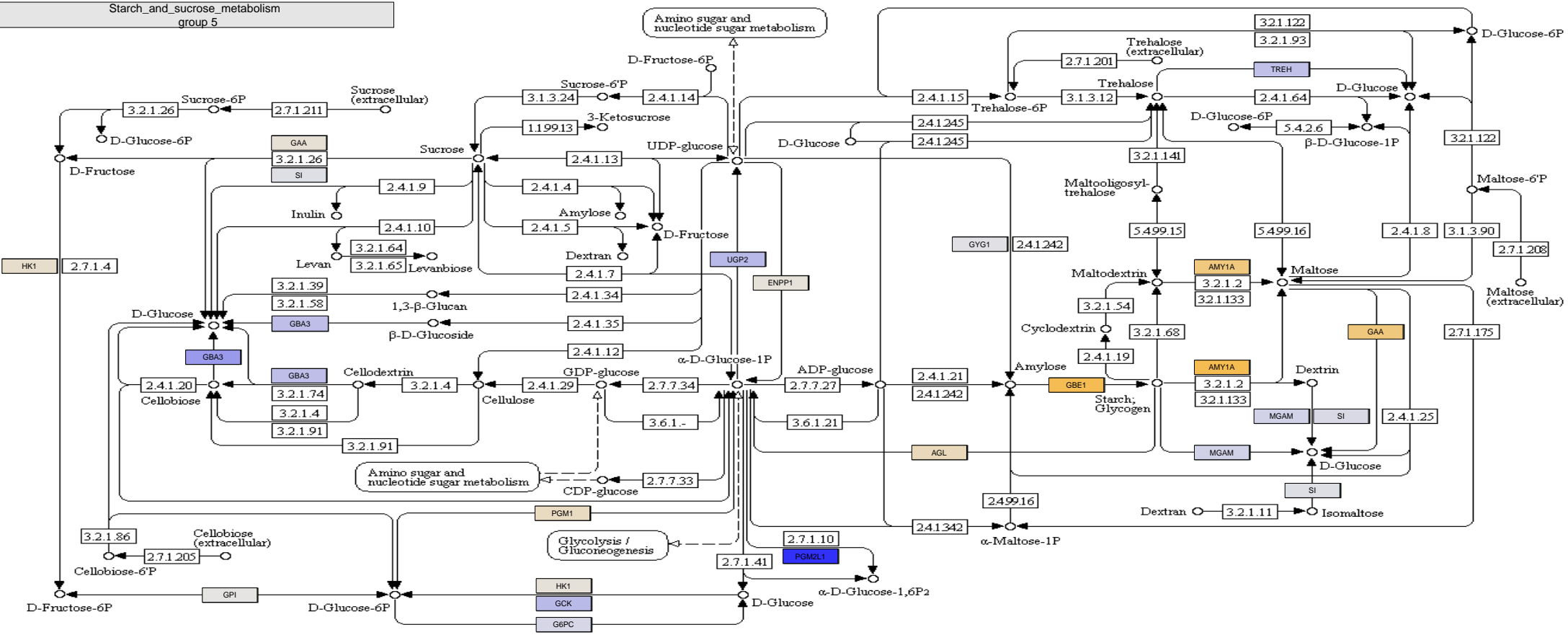
Starch_and sucrose metabolism
group 3



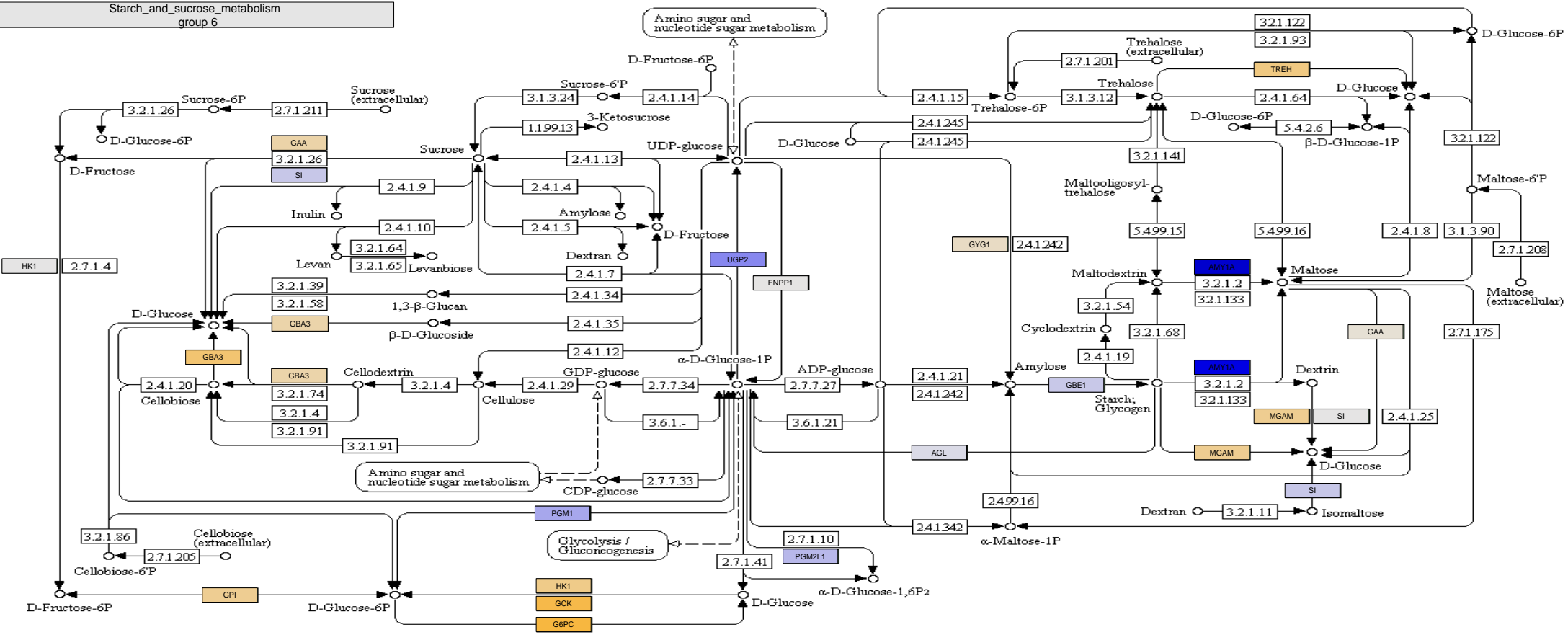
Starch_and sucrose metabolism
group 4



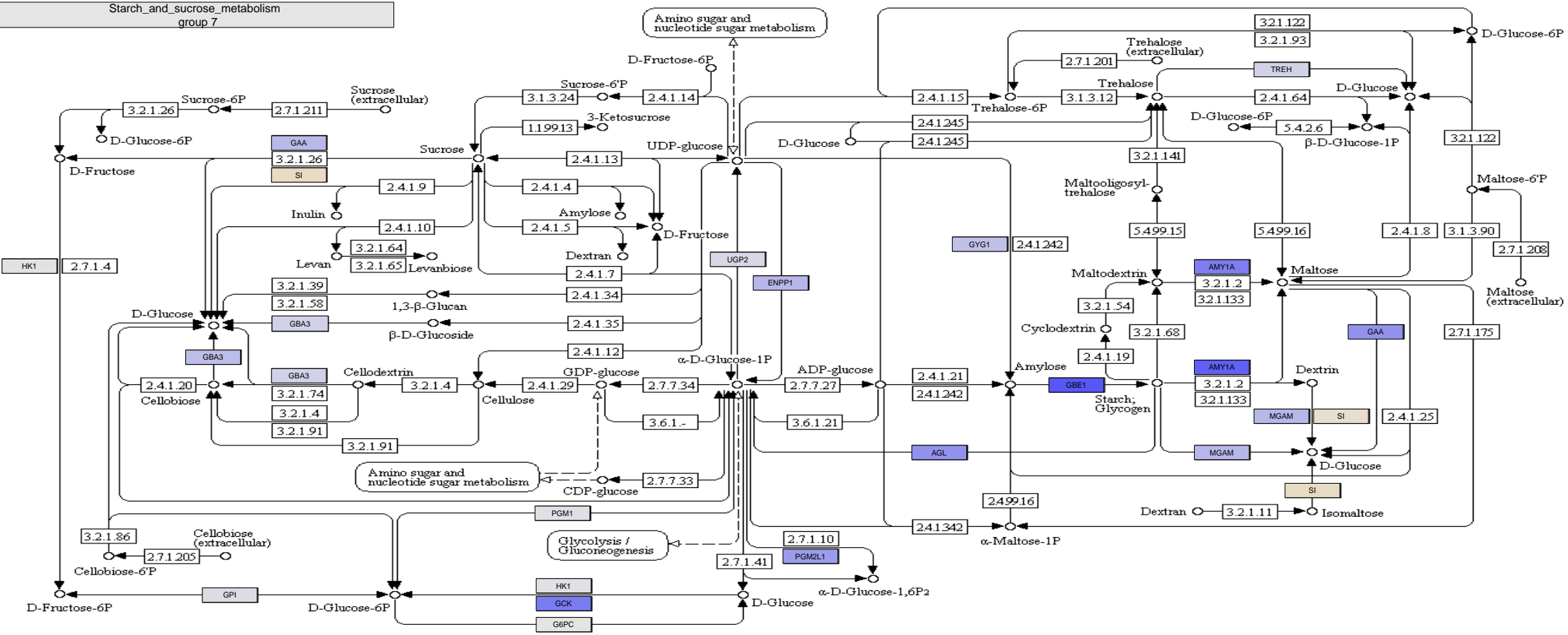
Starch_and sucrose metabolism
group 5



Starch_and_sucrose_metabolism
group 6



Starch_and sucrose metabolism
group 7



Starch_and_sucrose_metabolism
group 8

