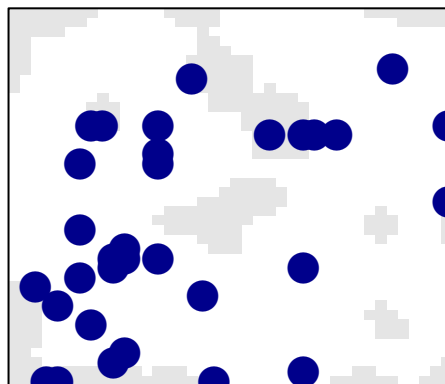
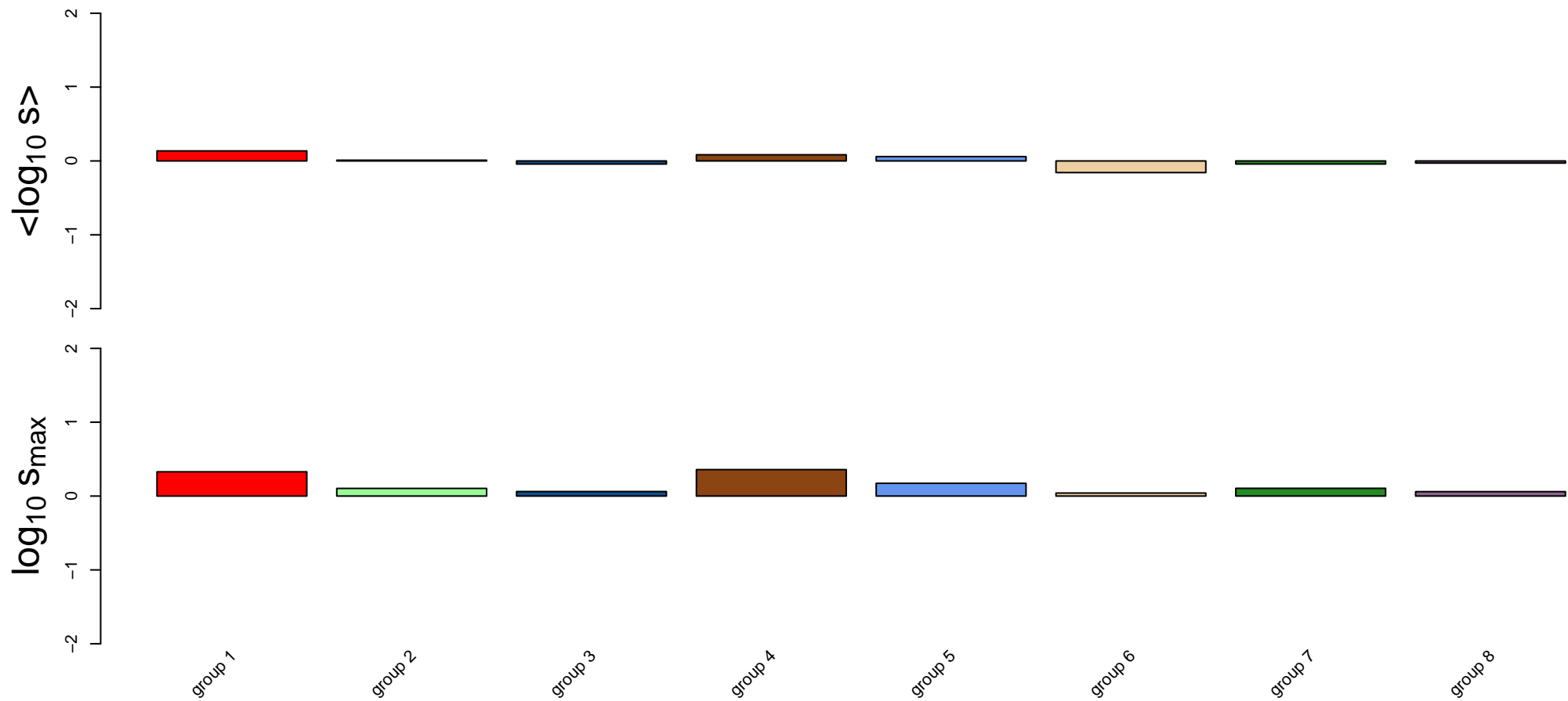


# Selenocompound metabolism

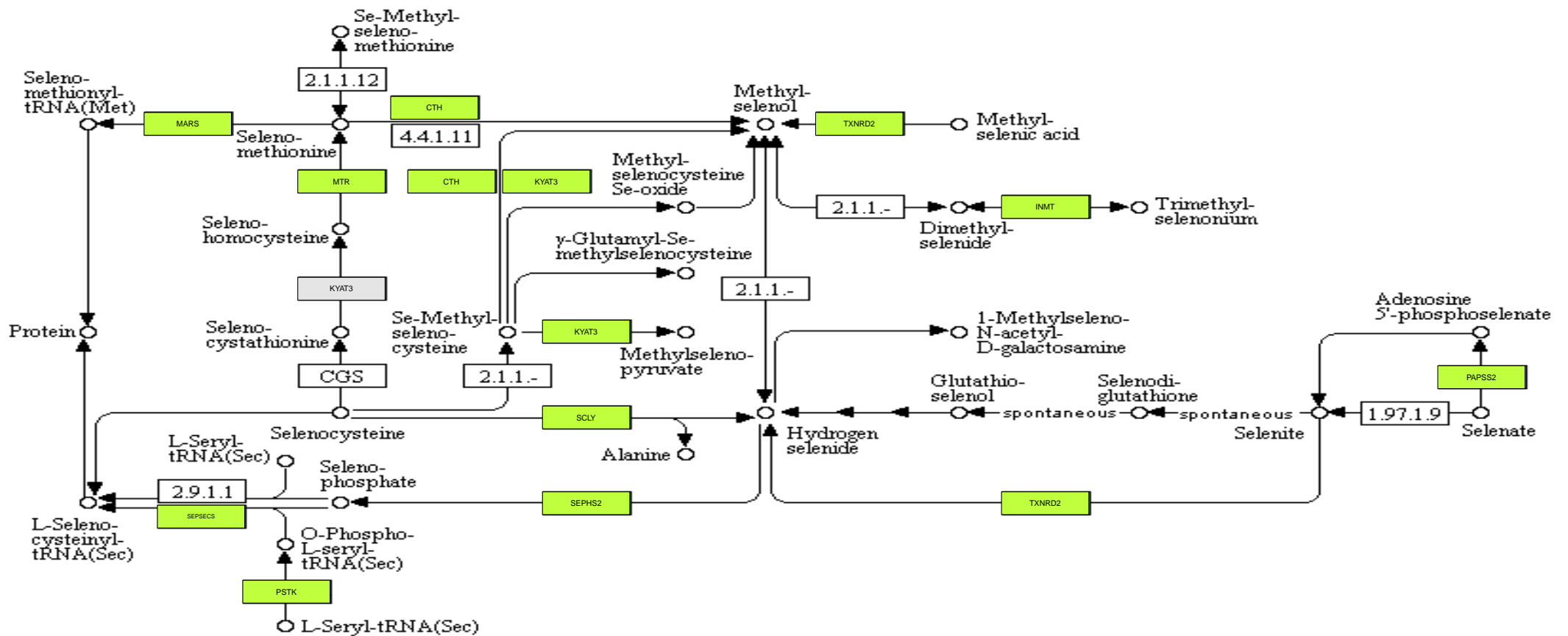
all genes



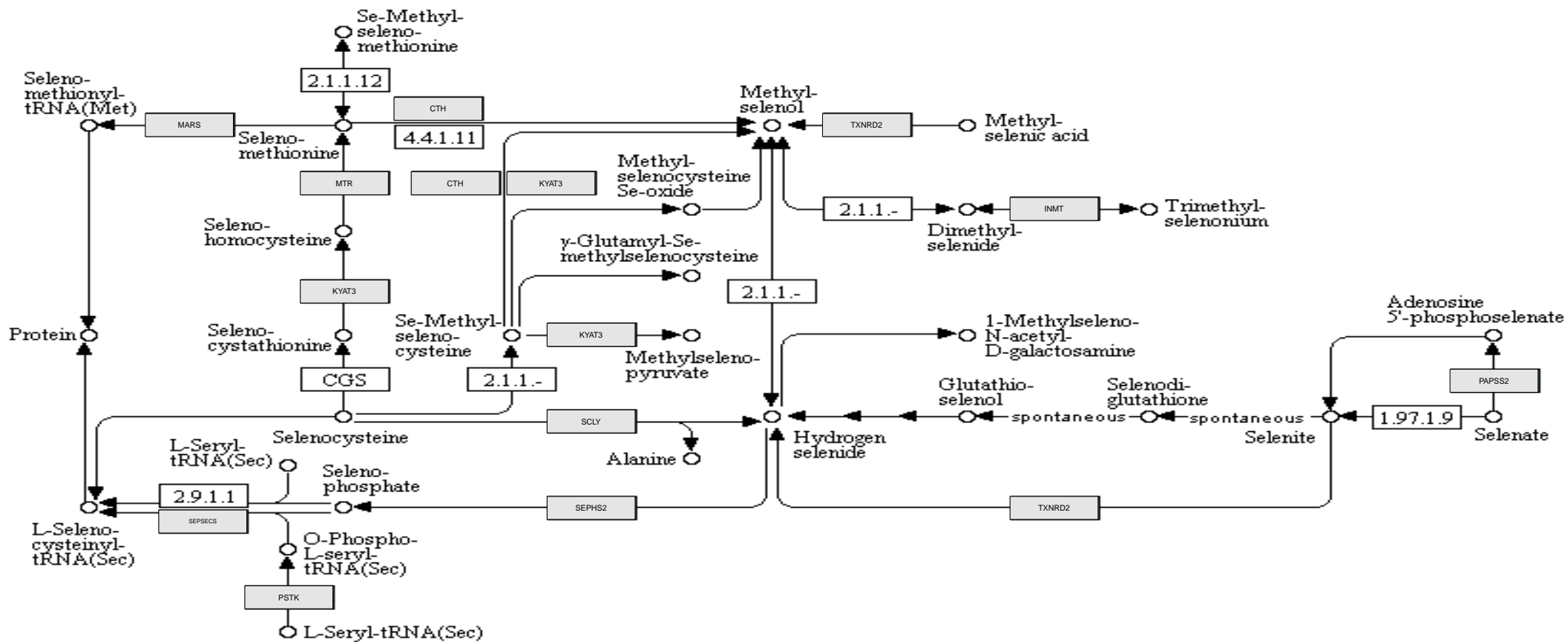
maximum = 1



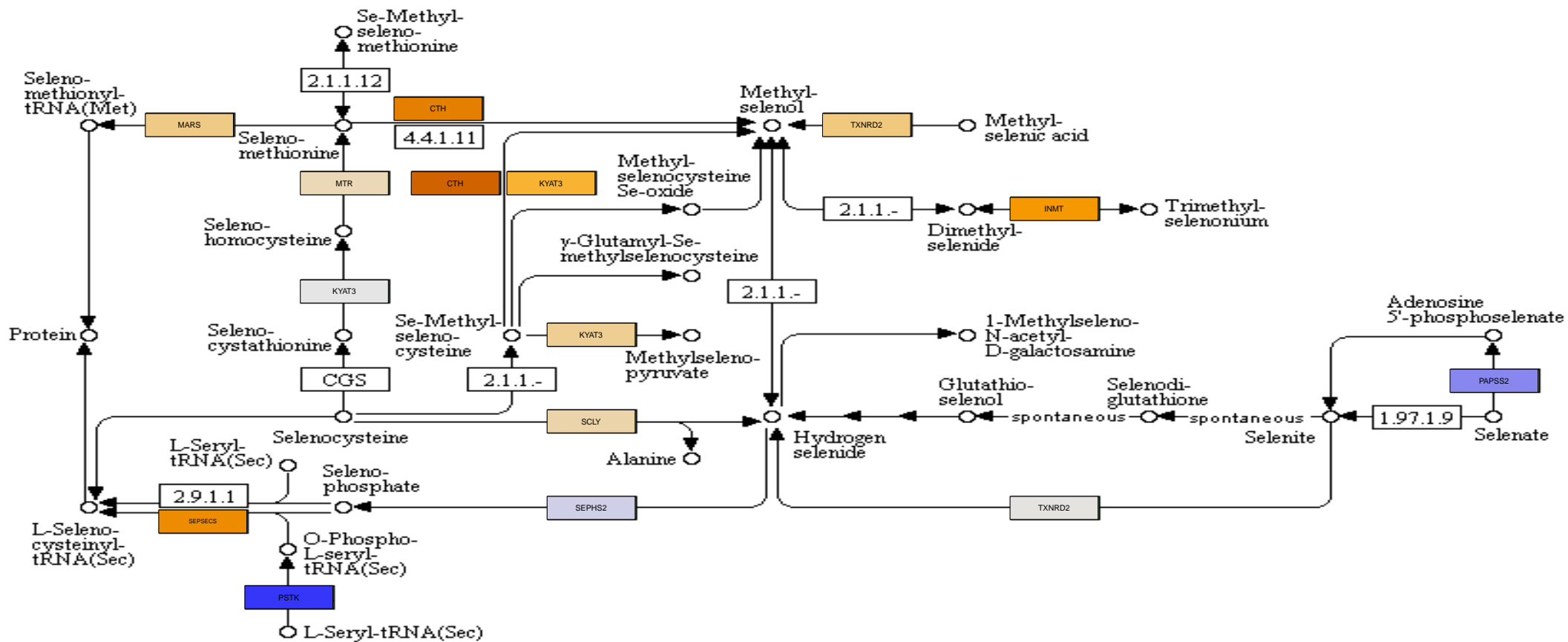
Selenocompound\_metabolism  
genes with data



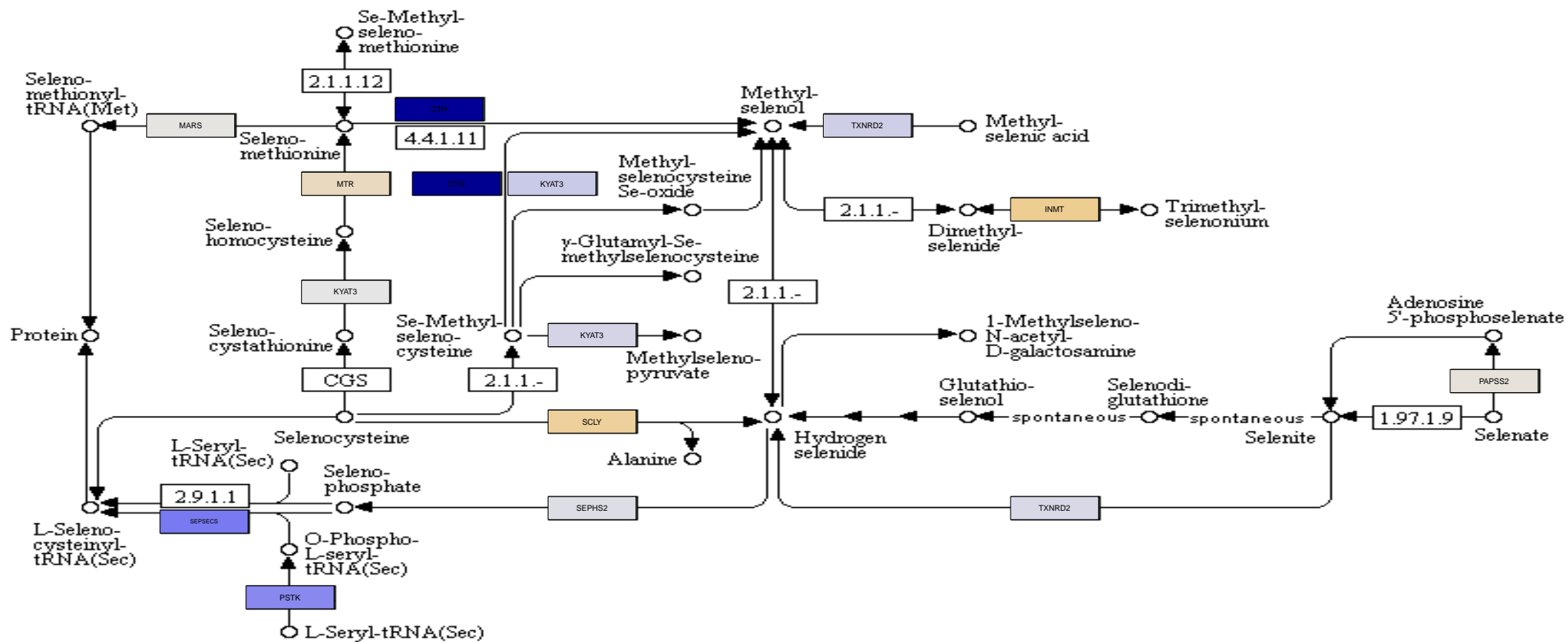
Selenocompound\_metabolism  
sink nodes

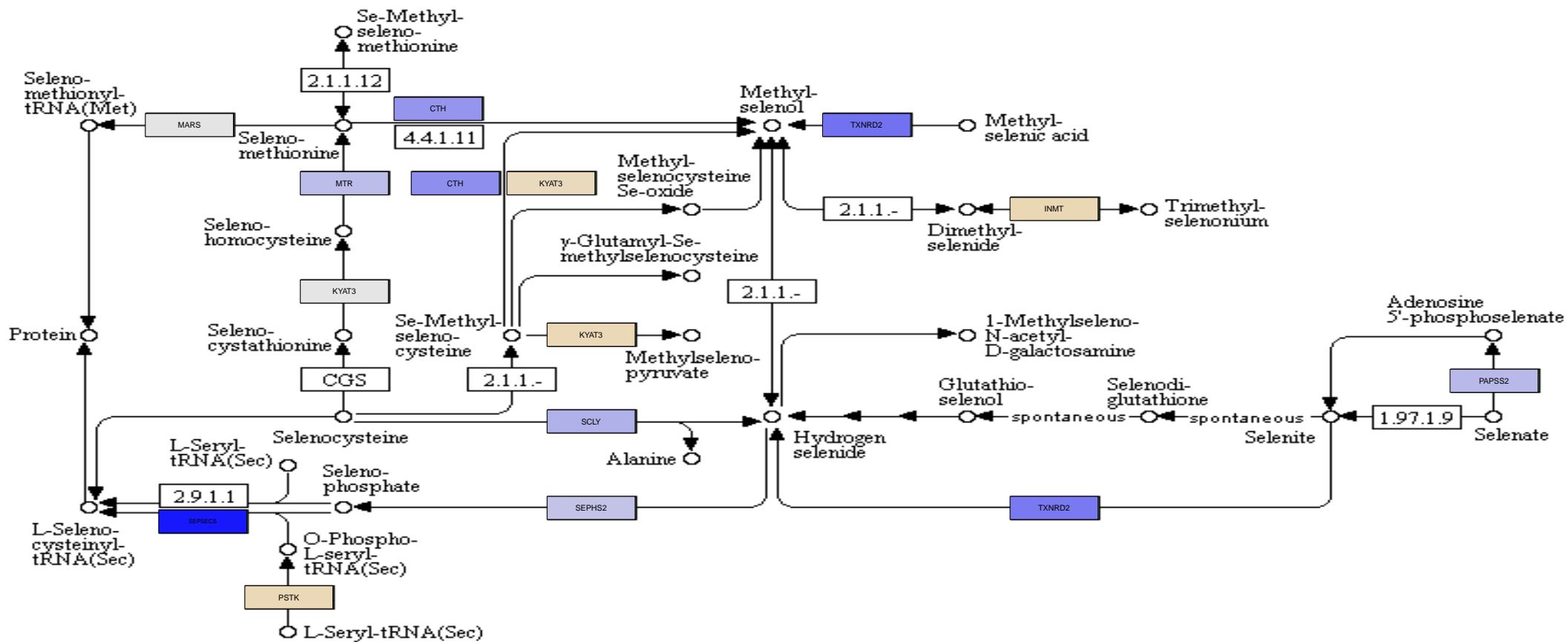


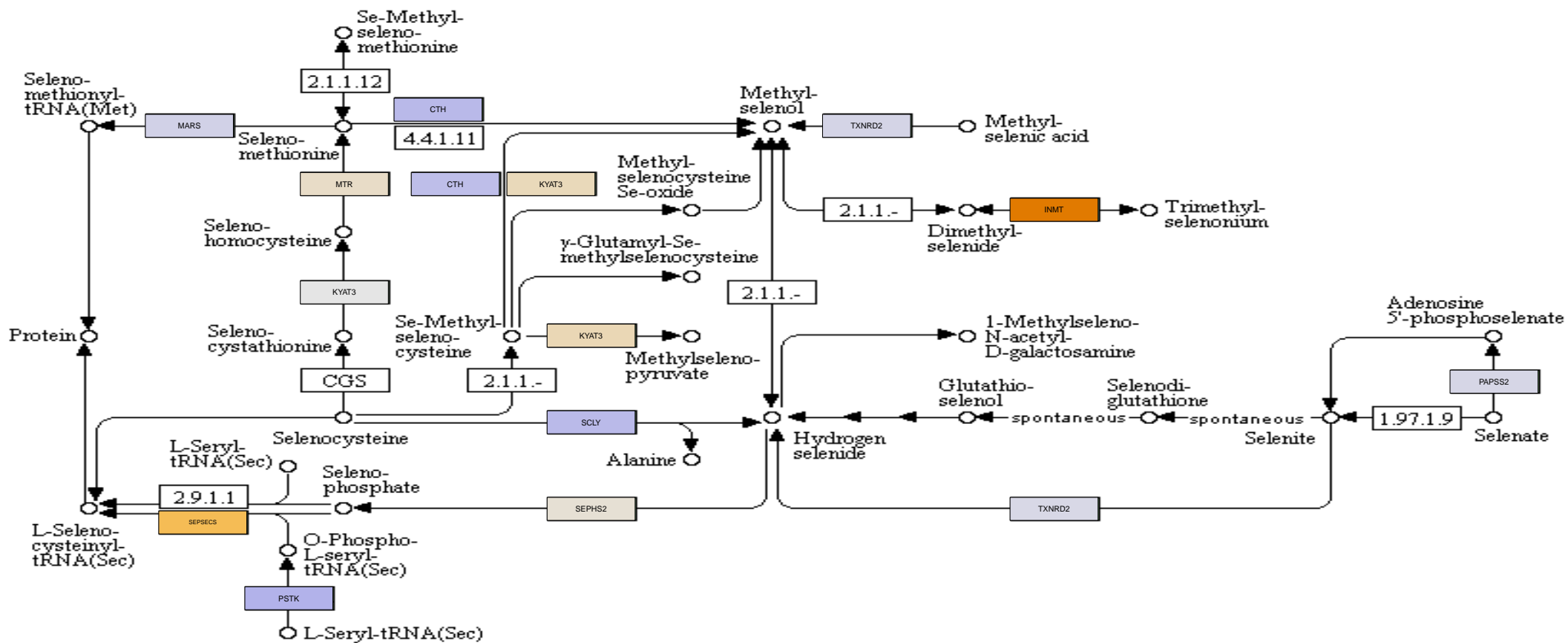
Selenocompound\_metabolism  
group 1



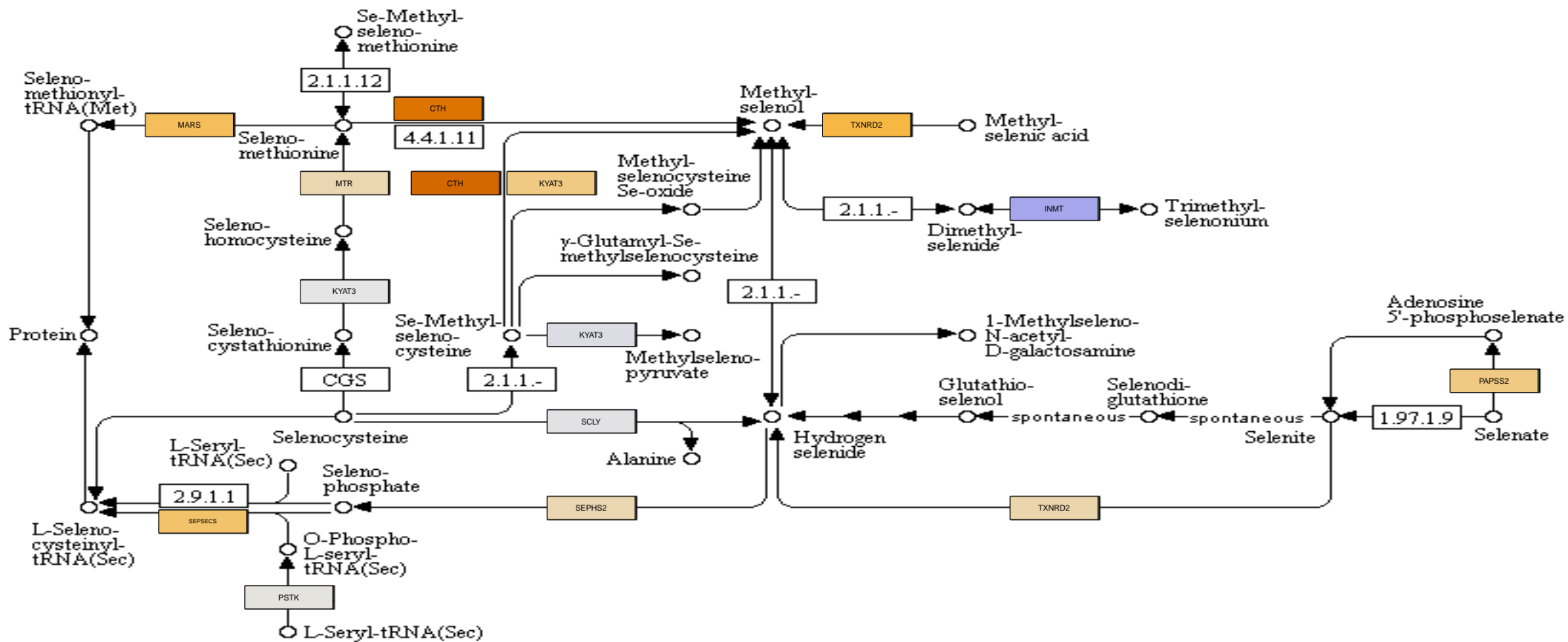
Selenocompound\_metabolism  
group 2







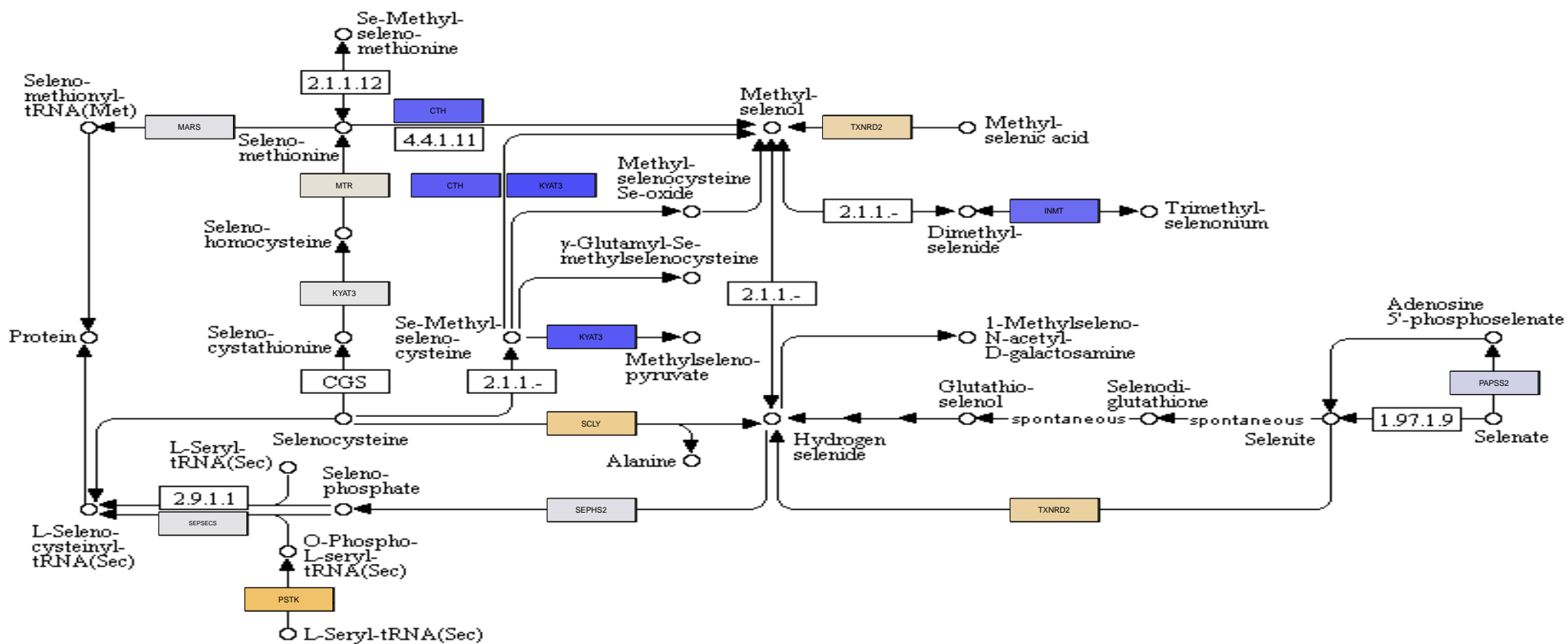
Selenocompound\_metabolism  
group 5







Selenocompound\_metabolism  
group 7



Selenocompound\_metabolism  
group 8

