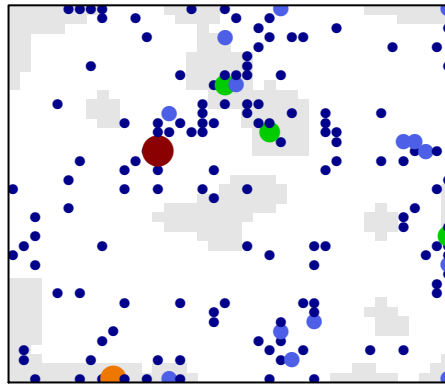
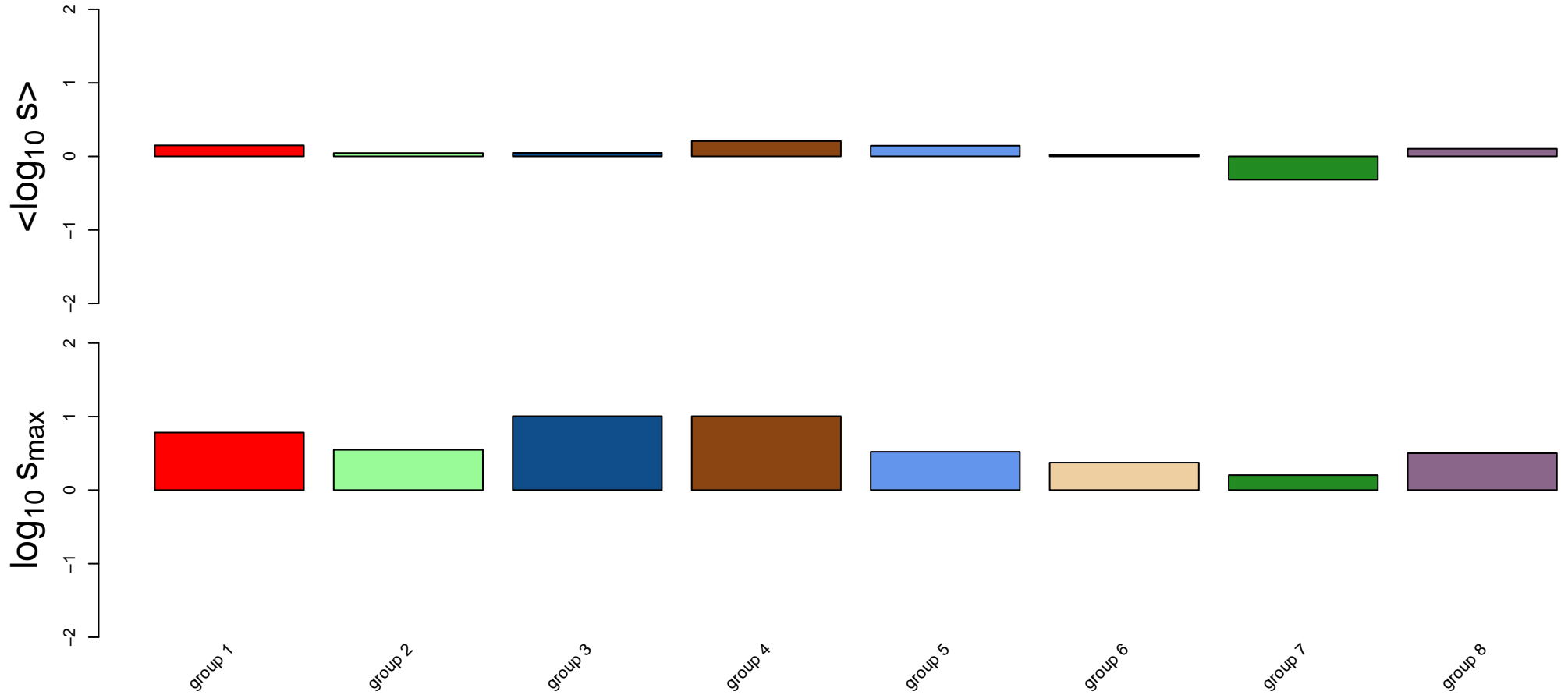
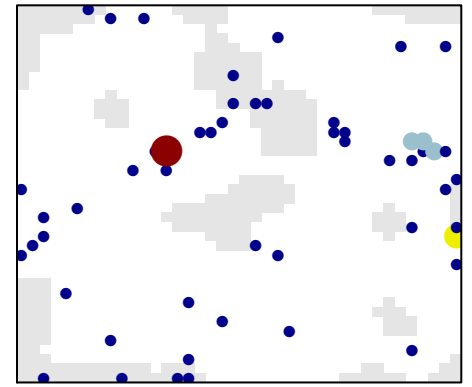


# Salmonella infection

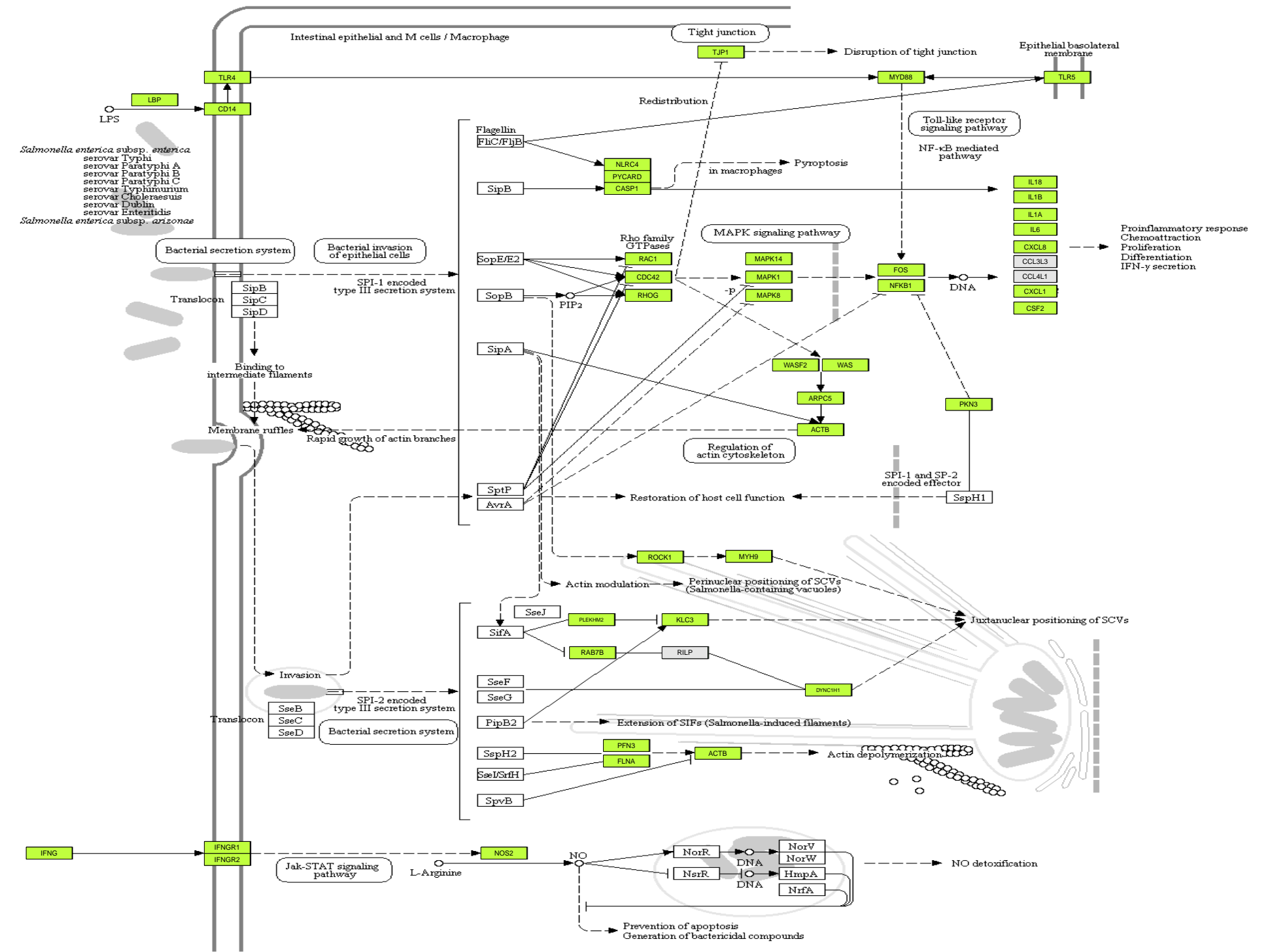
all genes



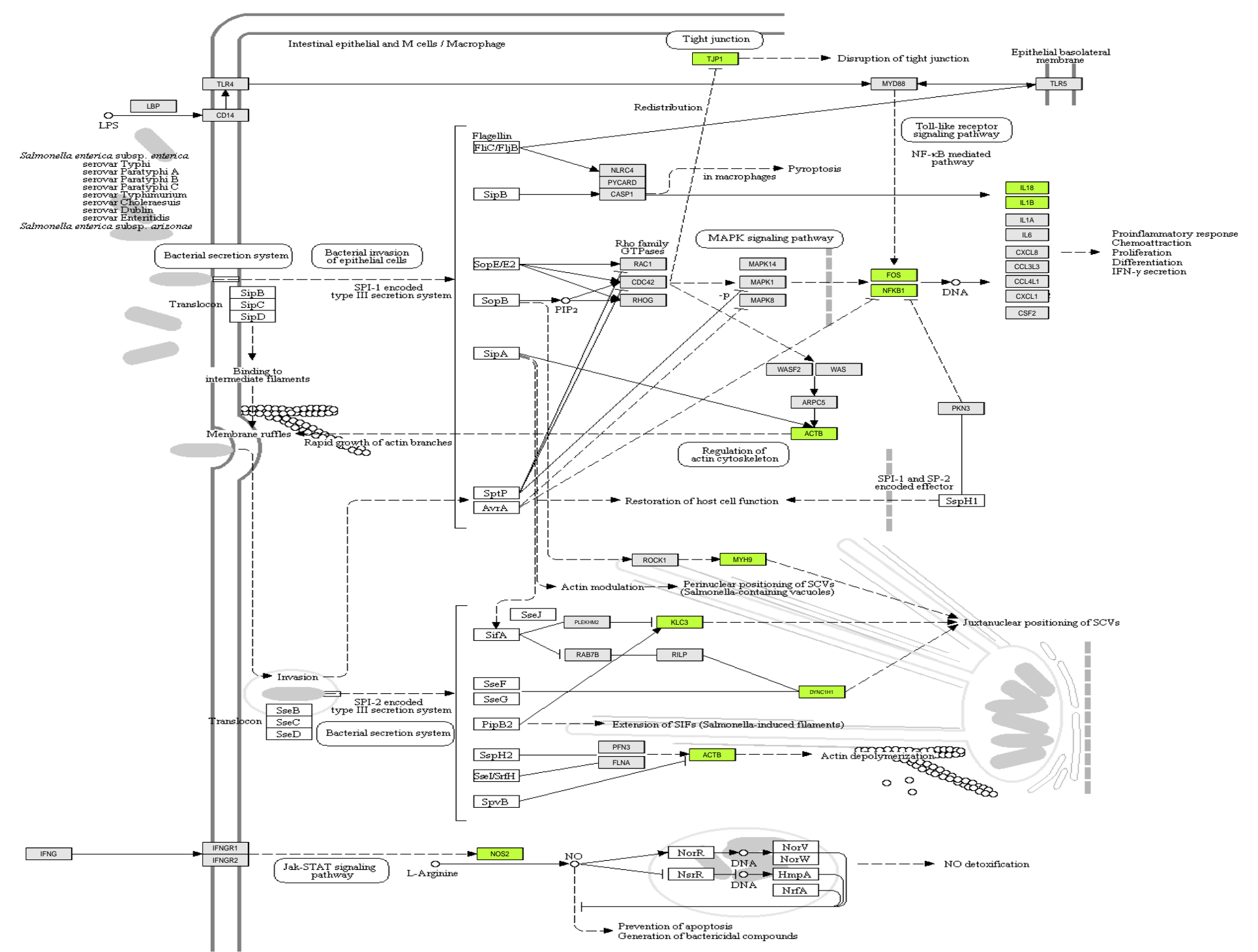
sink node genes

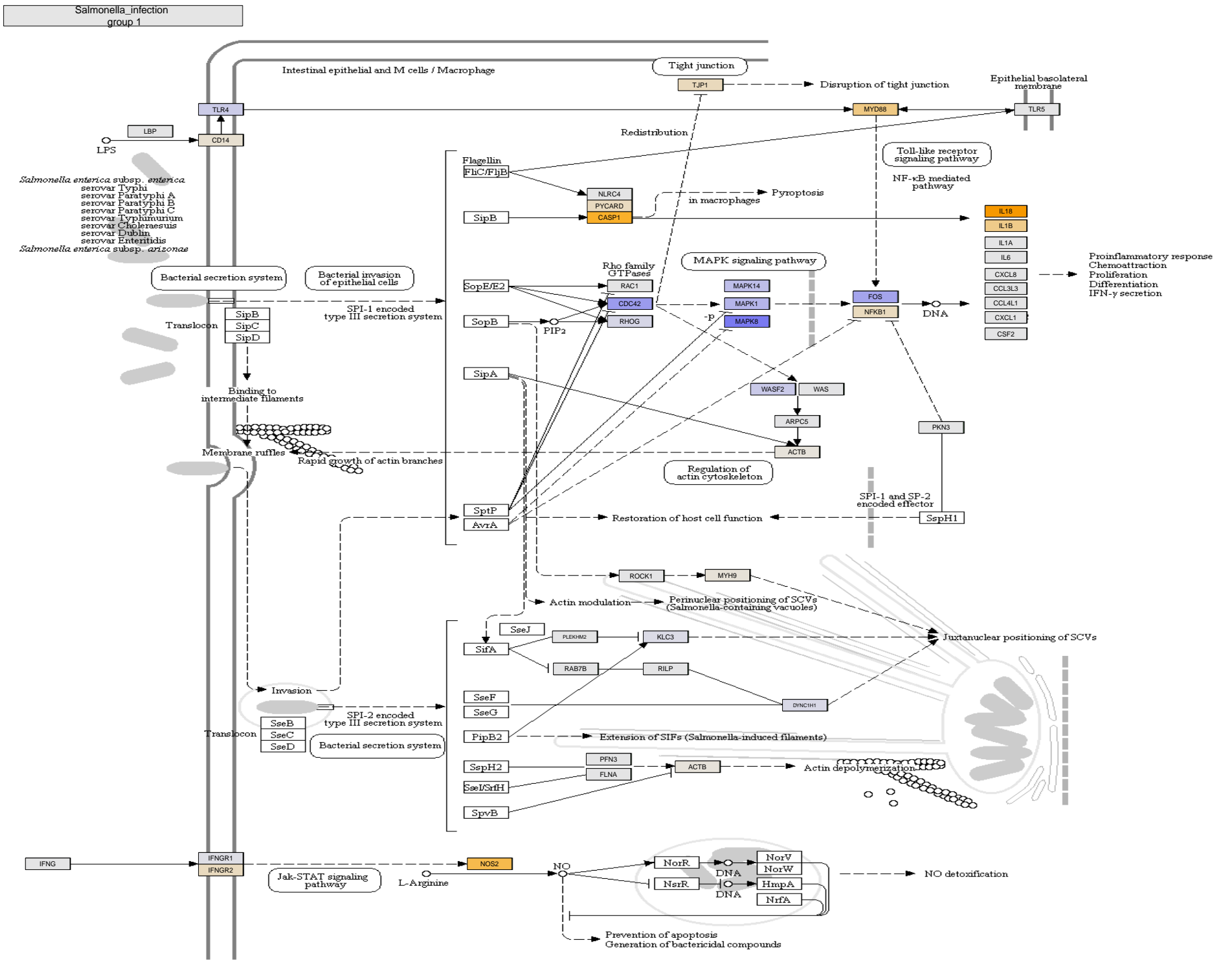


Salmonella\_infection genes with data

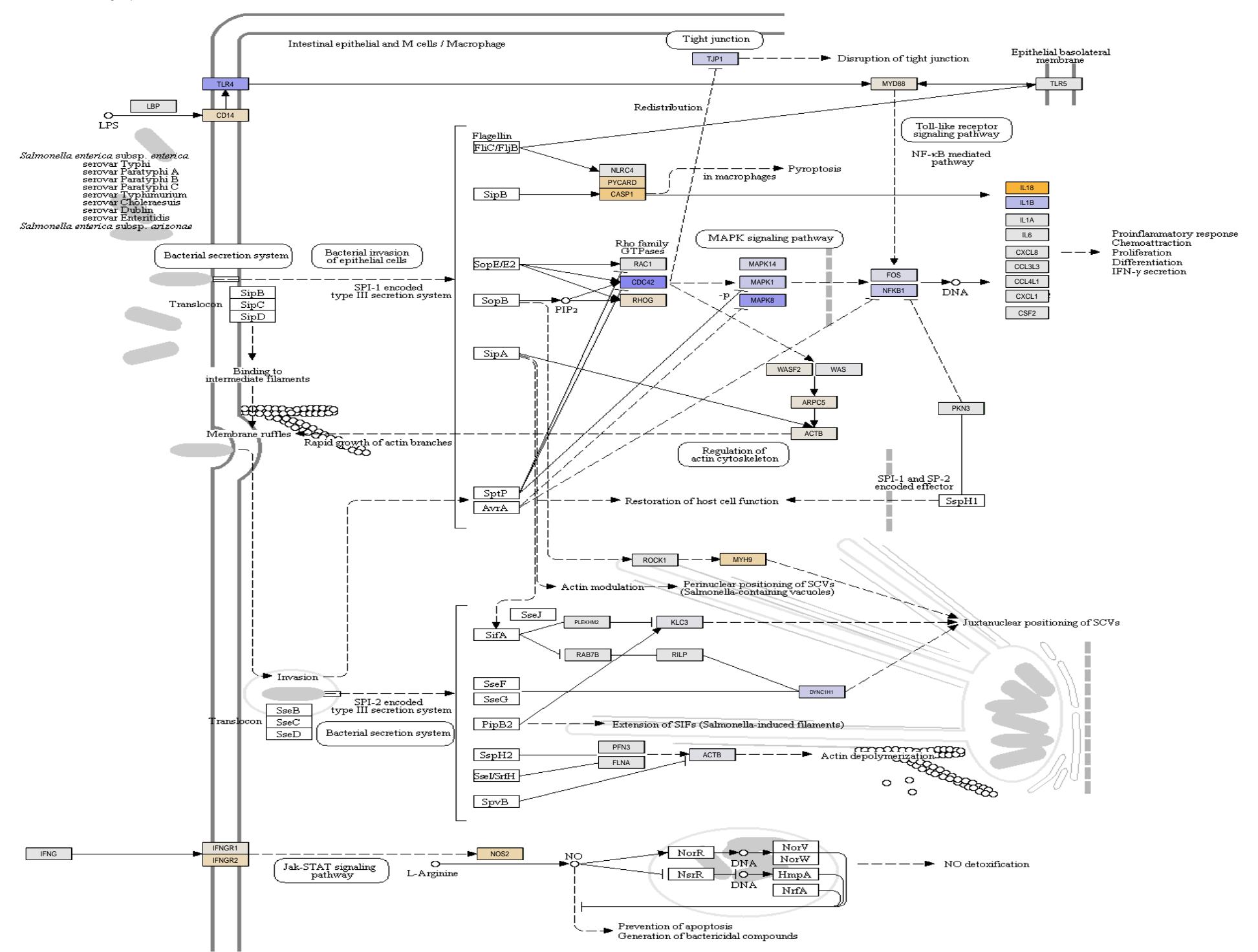


Salmonella\_infection sink nodes

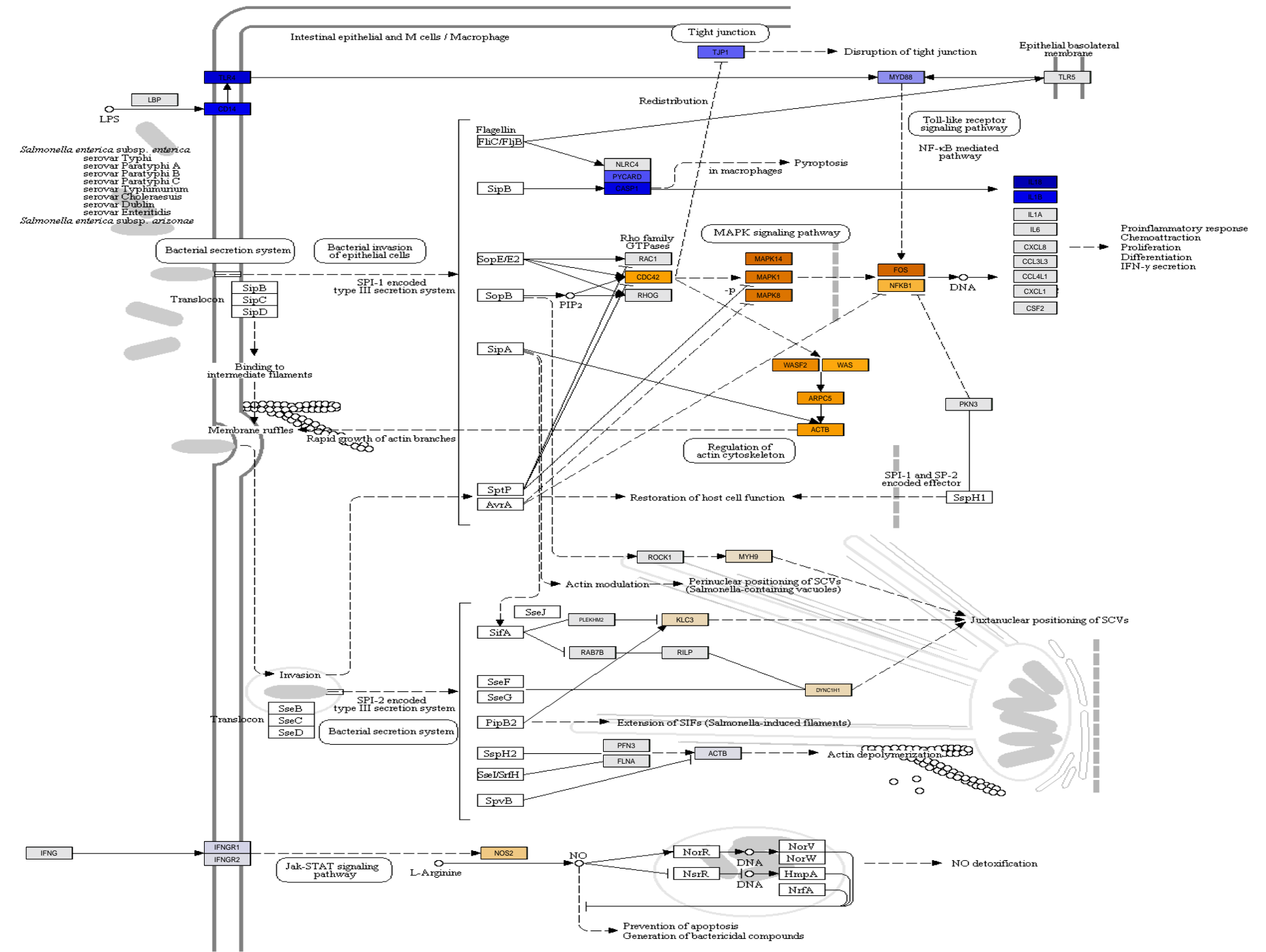




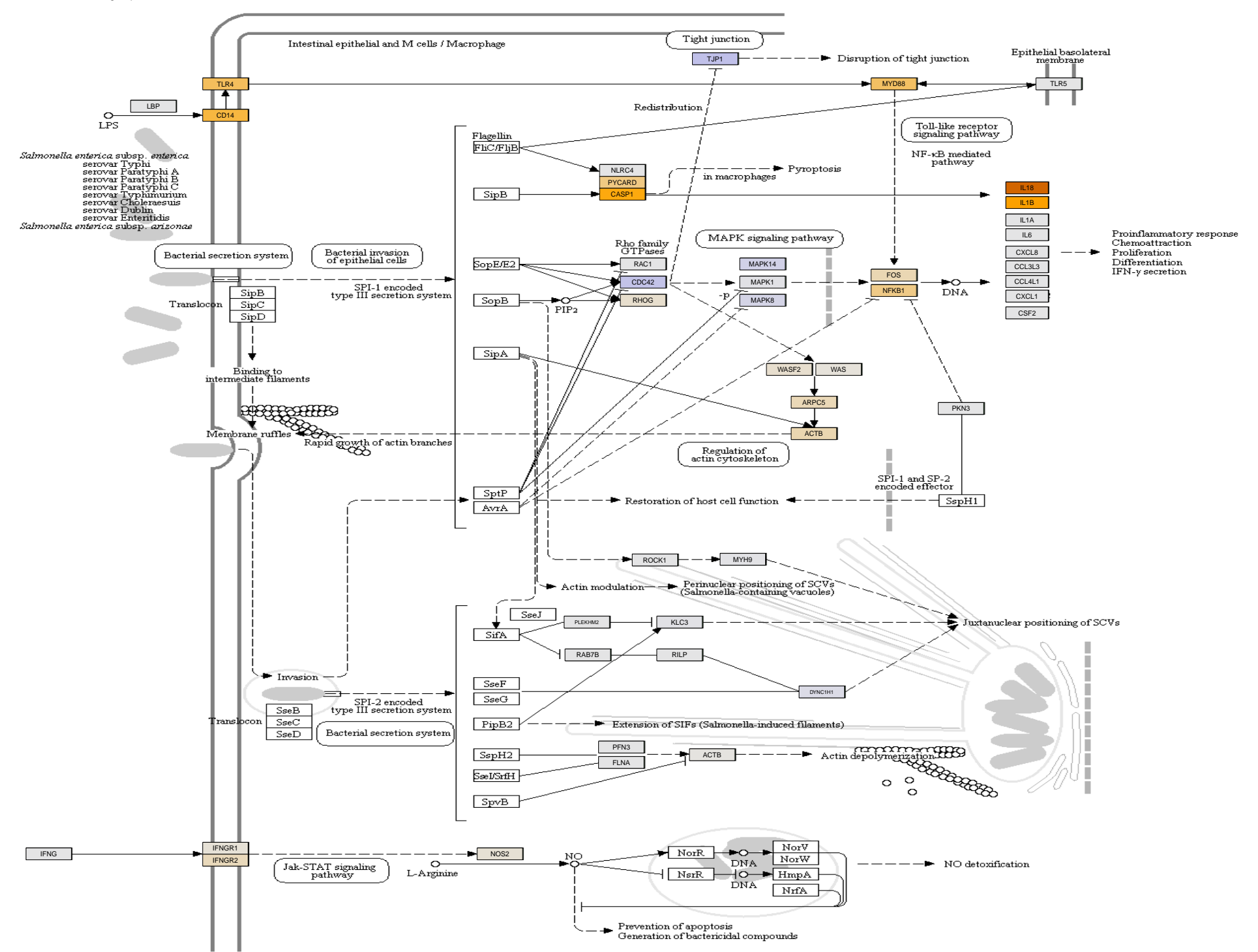
Salmonella\_infection group 2



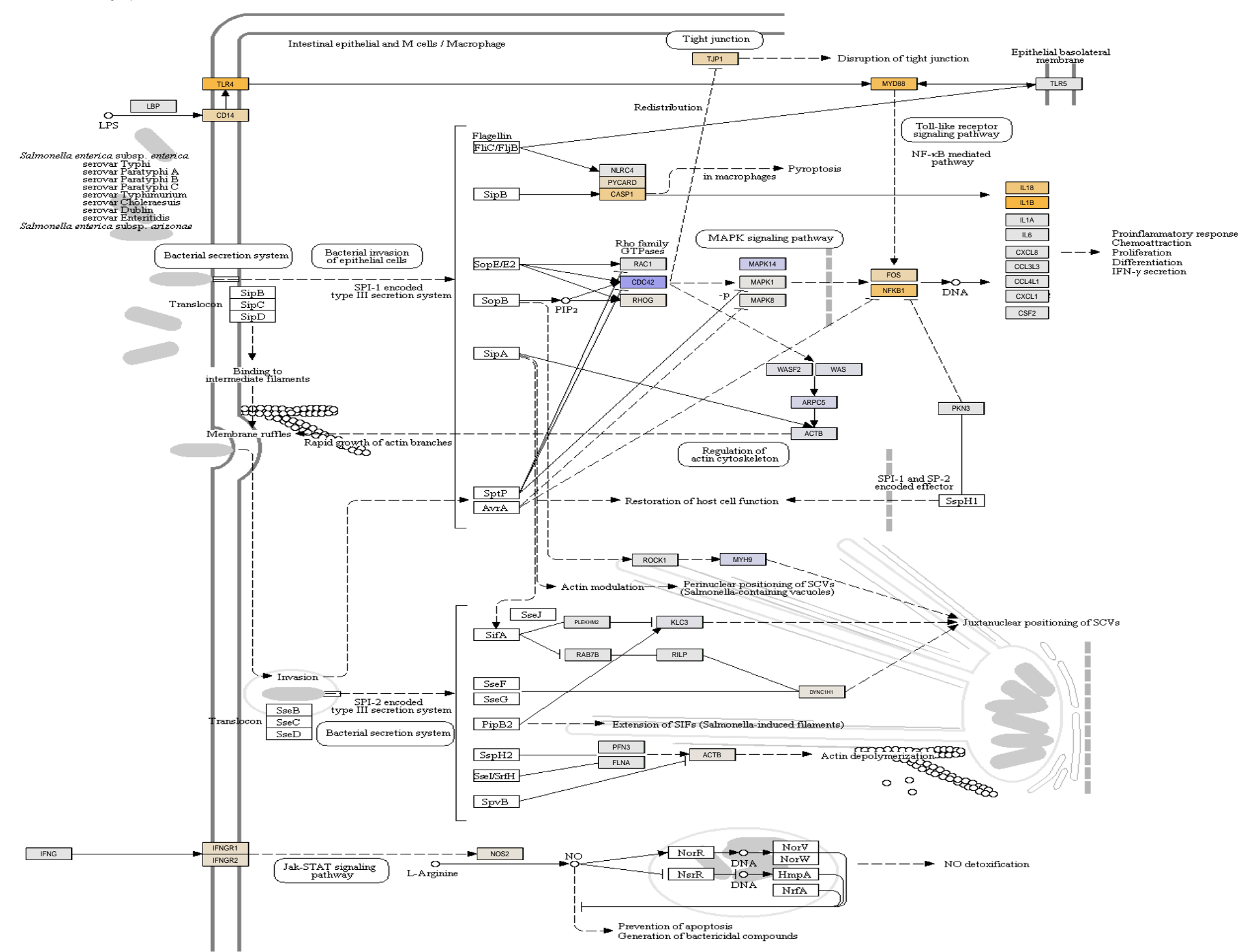
Salmonella\_infection group 3



Salmonella\_infection group 4

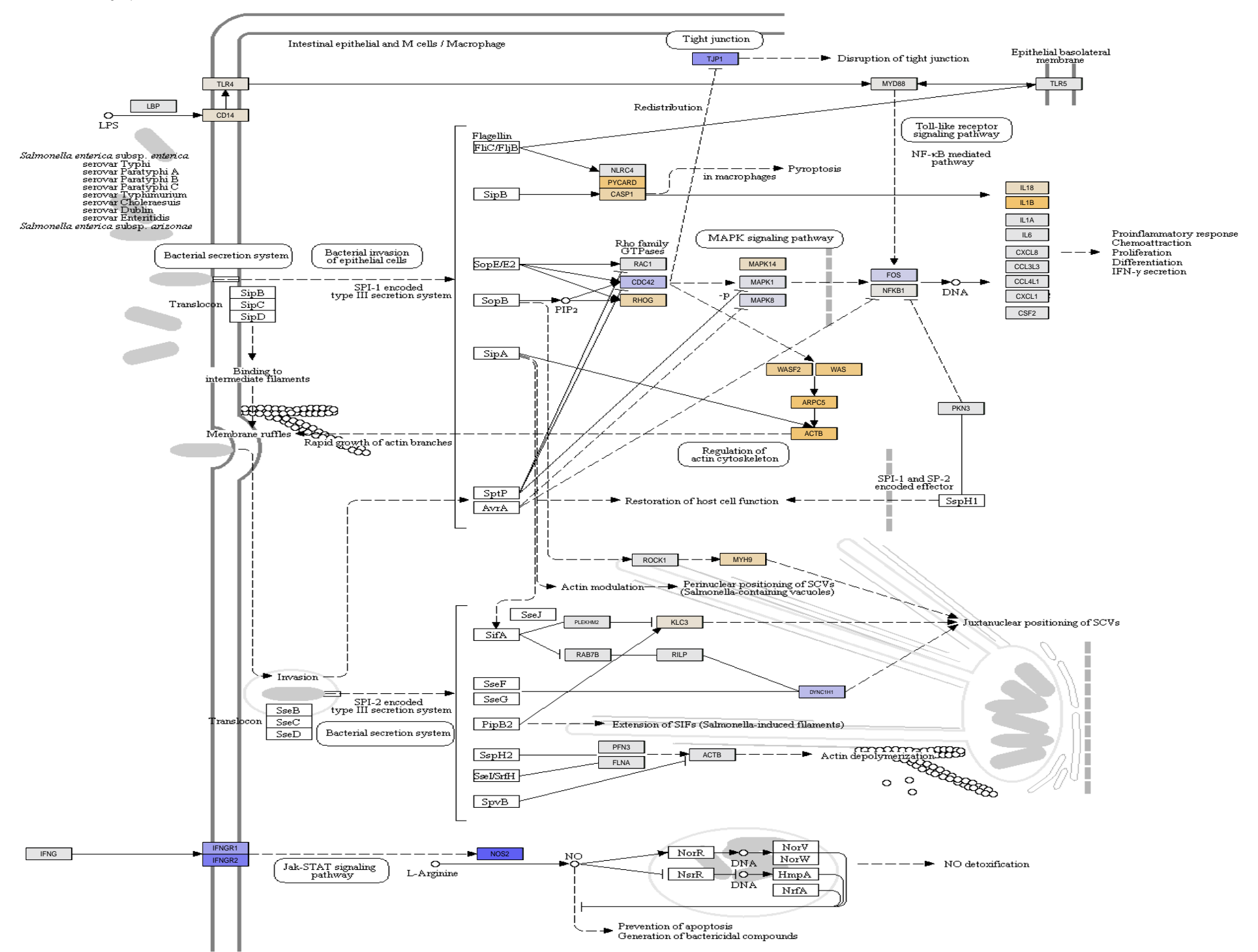


Salmonella\_infection group 5





Salmonella\_infection group 6



Salmonella\_infection group 7

