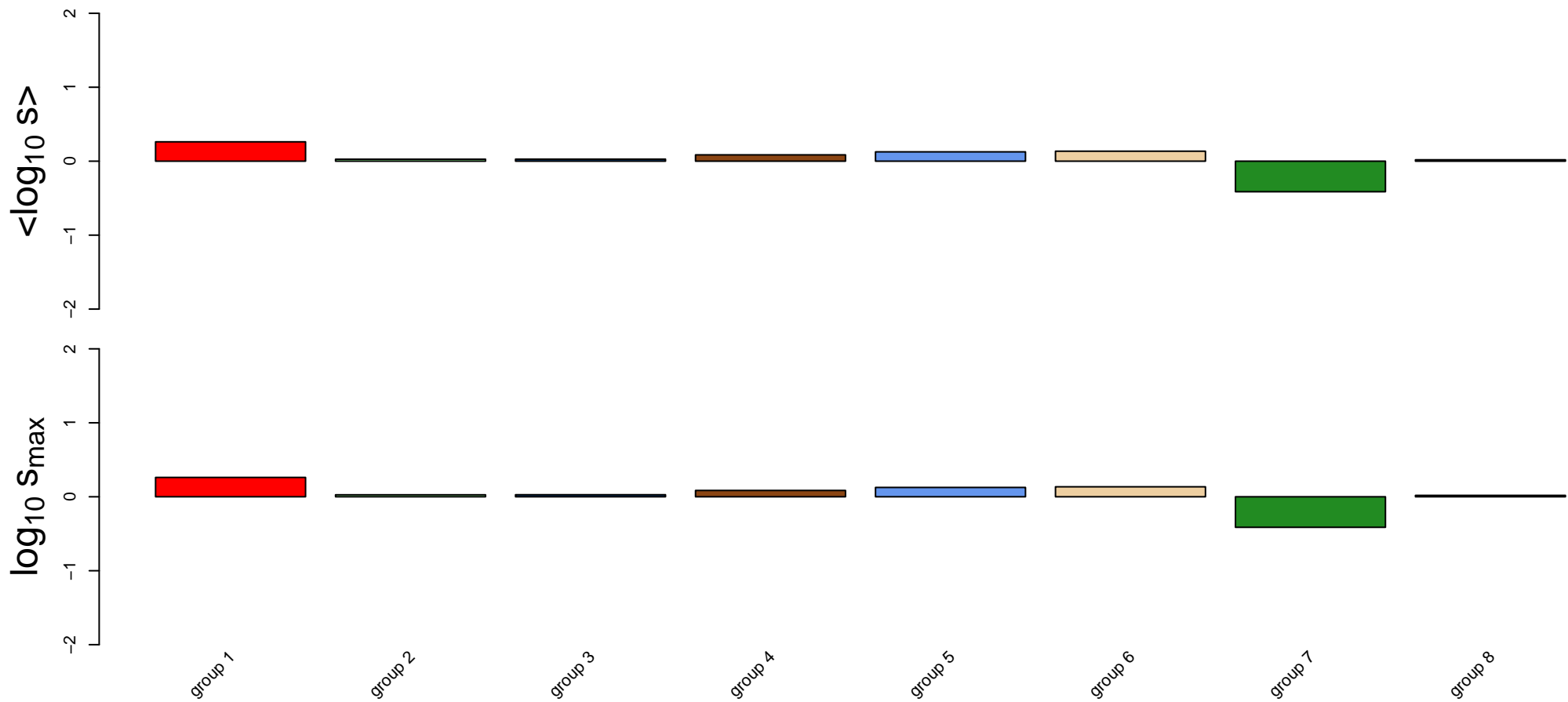
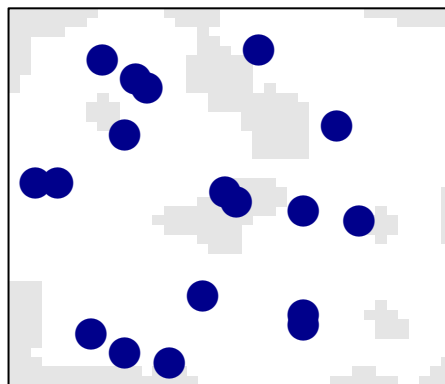
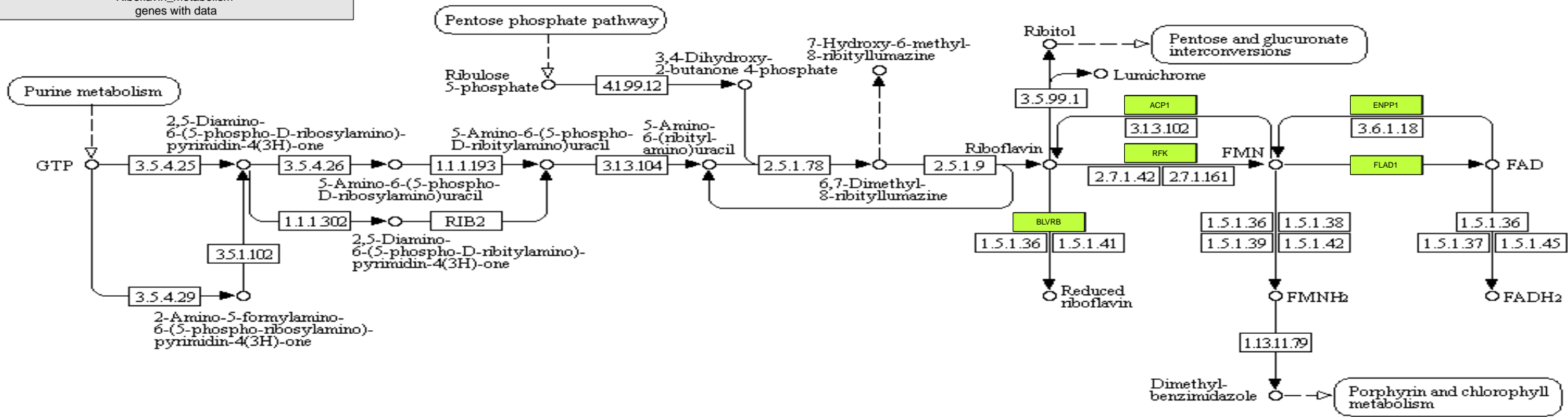


# Riboflavin metabolism

all genes



Riboflavin\_metabolism genes with data

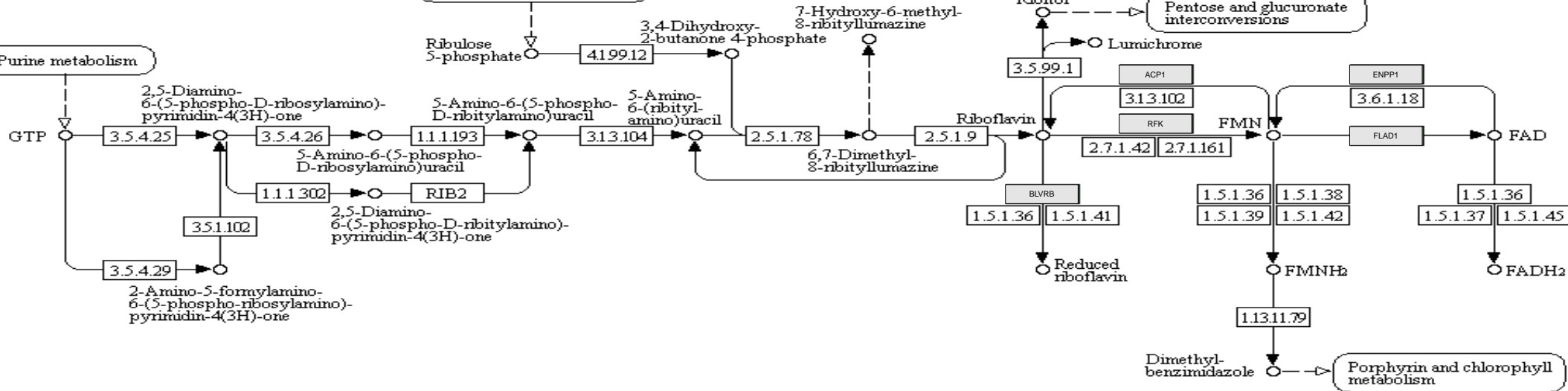


Riboflavin\_metabolism  
sink nodes

Pentose phosphate pathway

Pentose and glucuronate  
interconversions

Purine metabolism

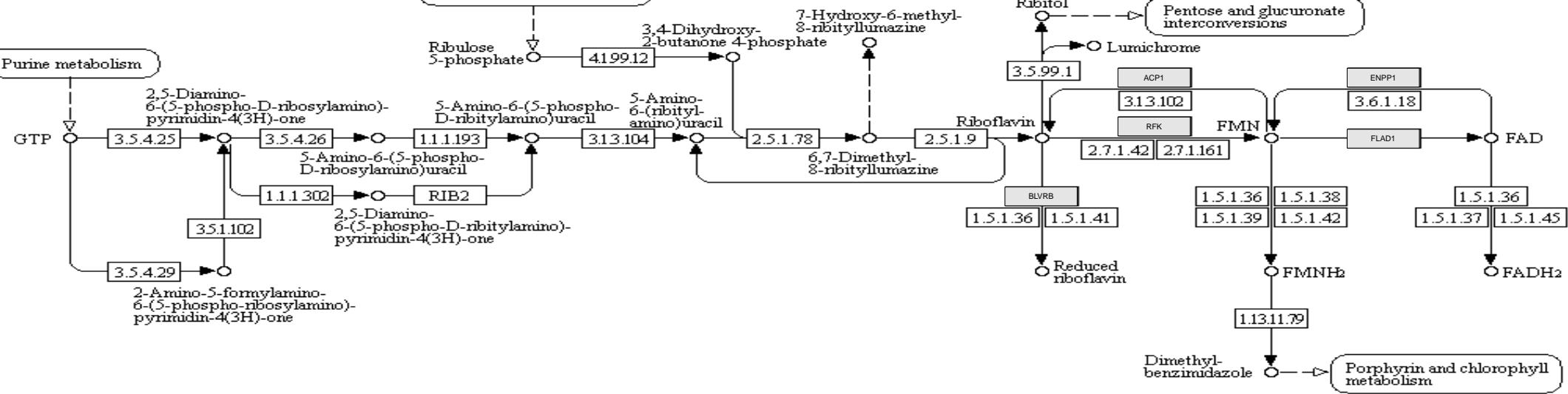


Riboflavin\_metabolism  
influencer genes

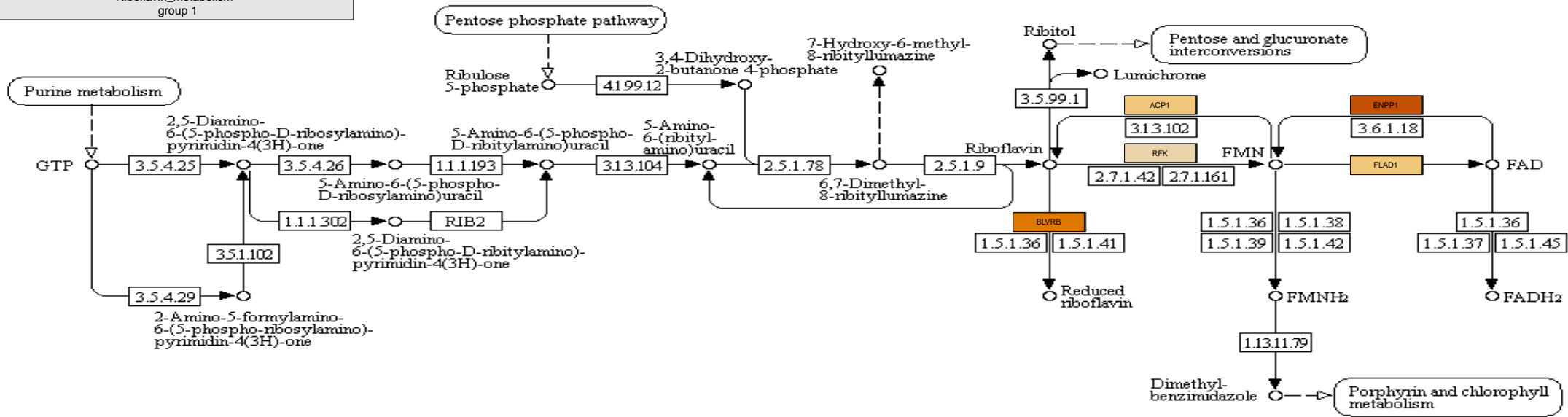
Purine metabolism

Pentose phosphate pathway

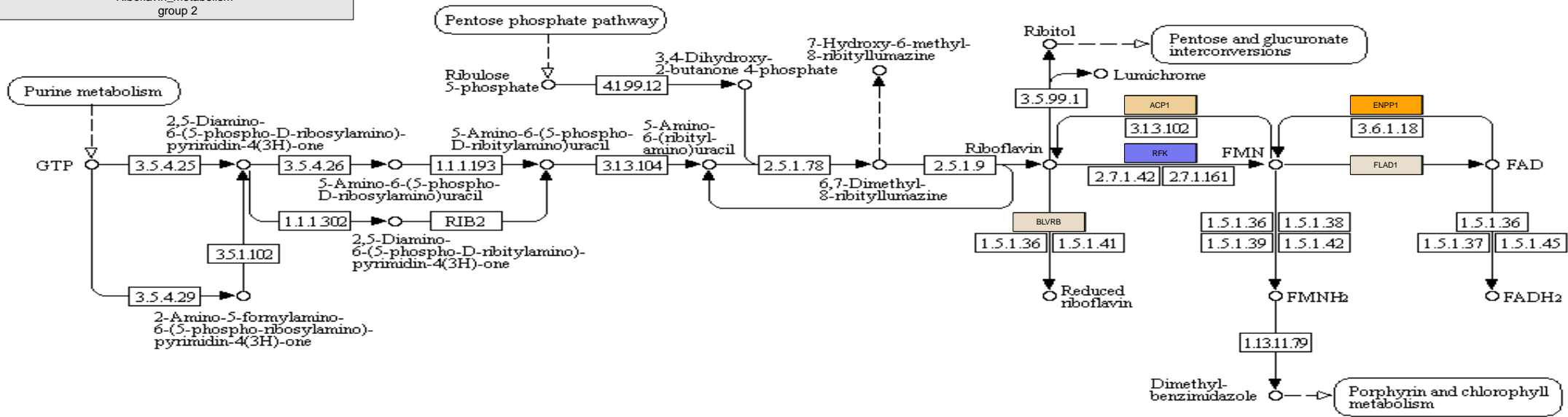
Pentose and glucuronate  
interconversions



Riboflavin\_metabolism group 1



Riboflavin\_metabolism group 2

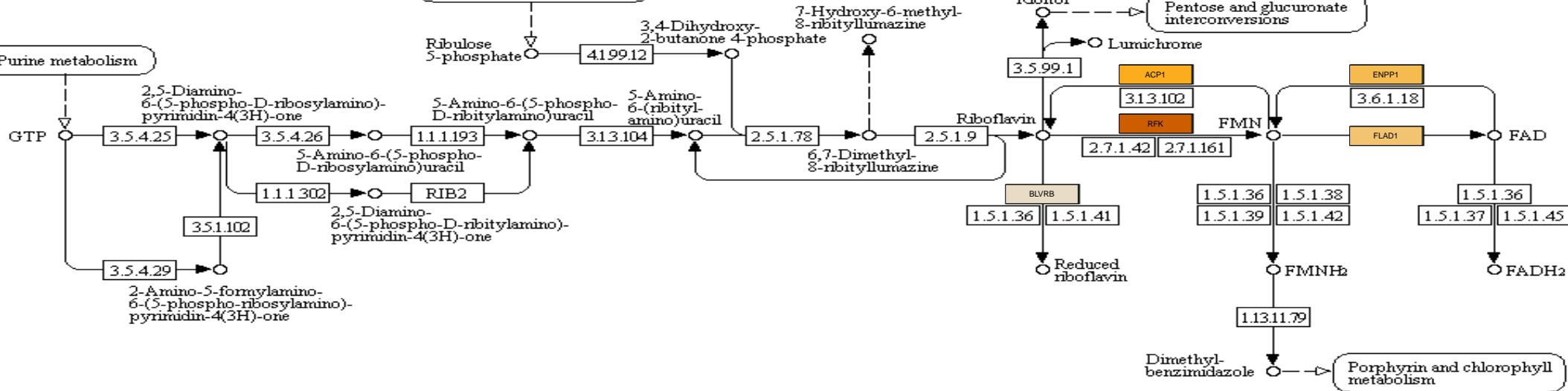


Riboflavin\_metabolism group 3

Pentose phosphate pathway

Pentose and glucuronate interconversions

Purine metabolism

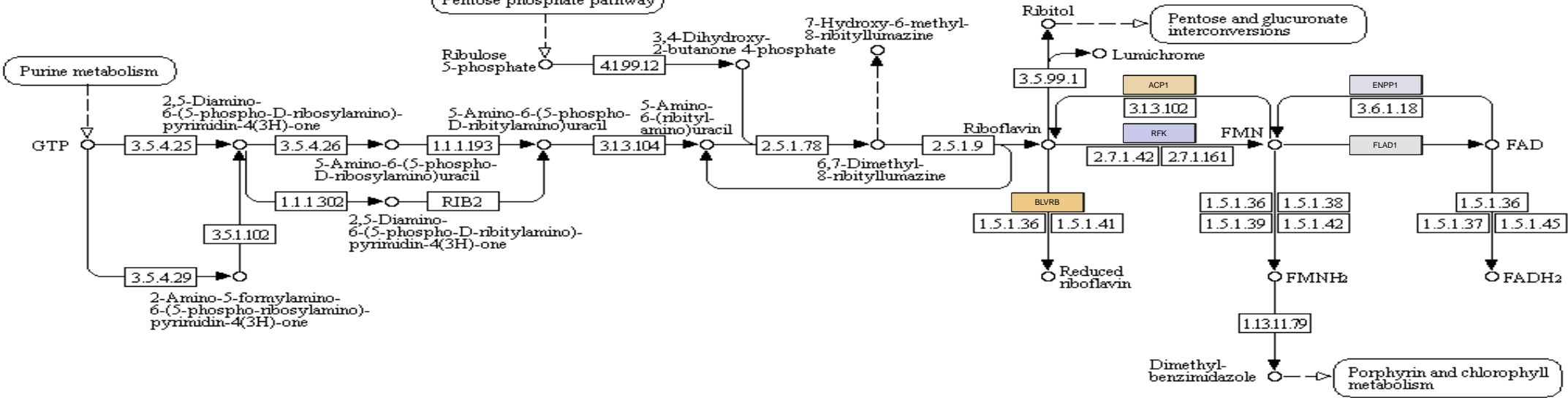


Riboflavin\_metabolism group 4

Pentose phosphate pathway

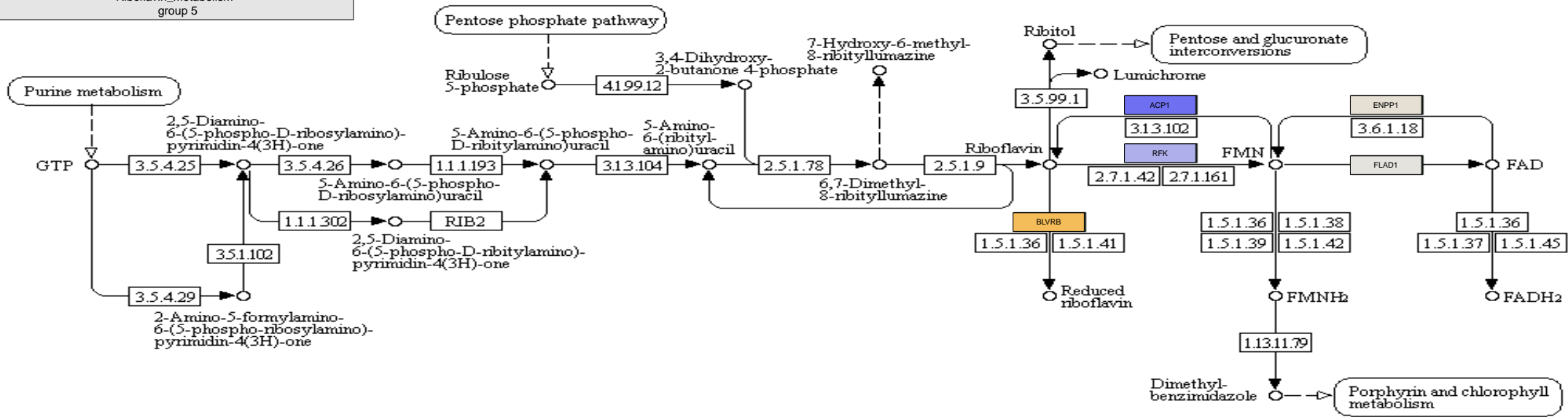
Pentose and glucuronate interconversions

Purine metabolism

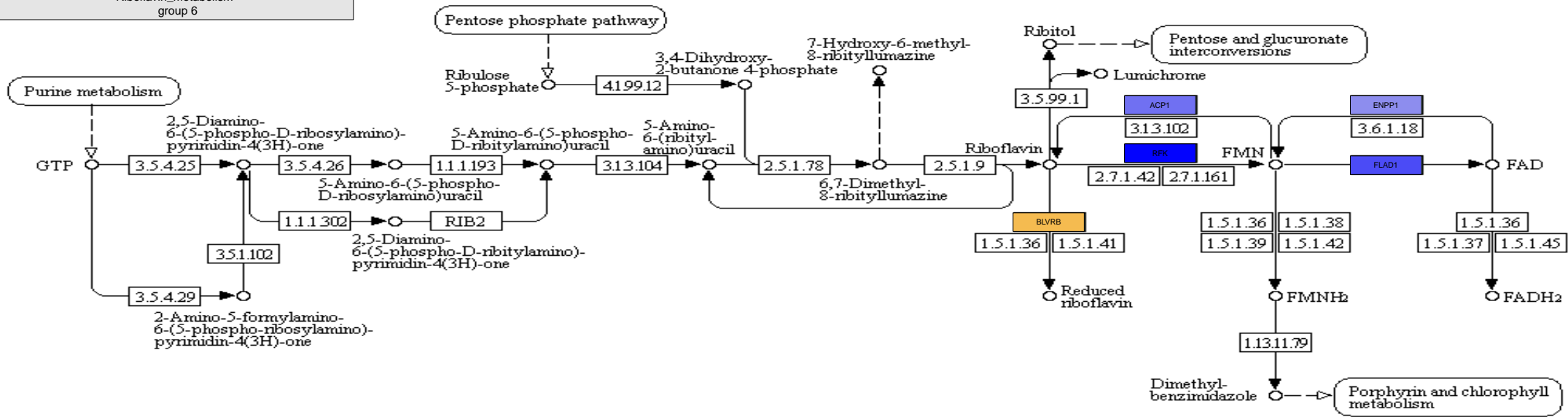




Riboflavin\_metabolism group 5



Riboflavin\_metabolism group 6



Riboflavin\_metabolism group 7

