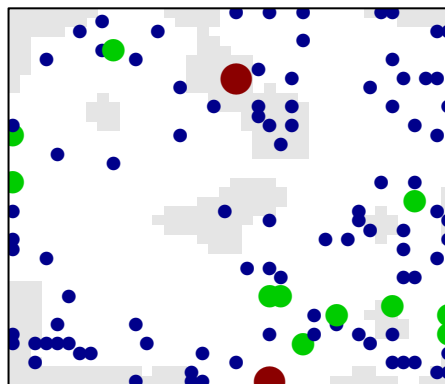


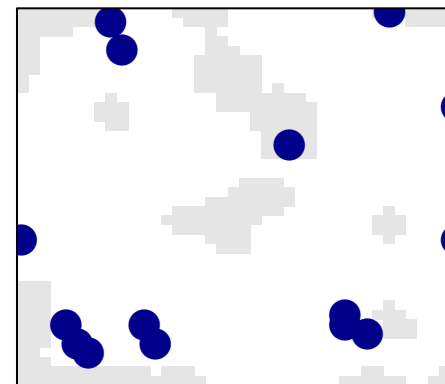
Regulation of lipolysis in adipocytes

all genes

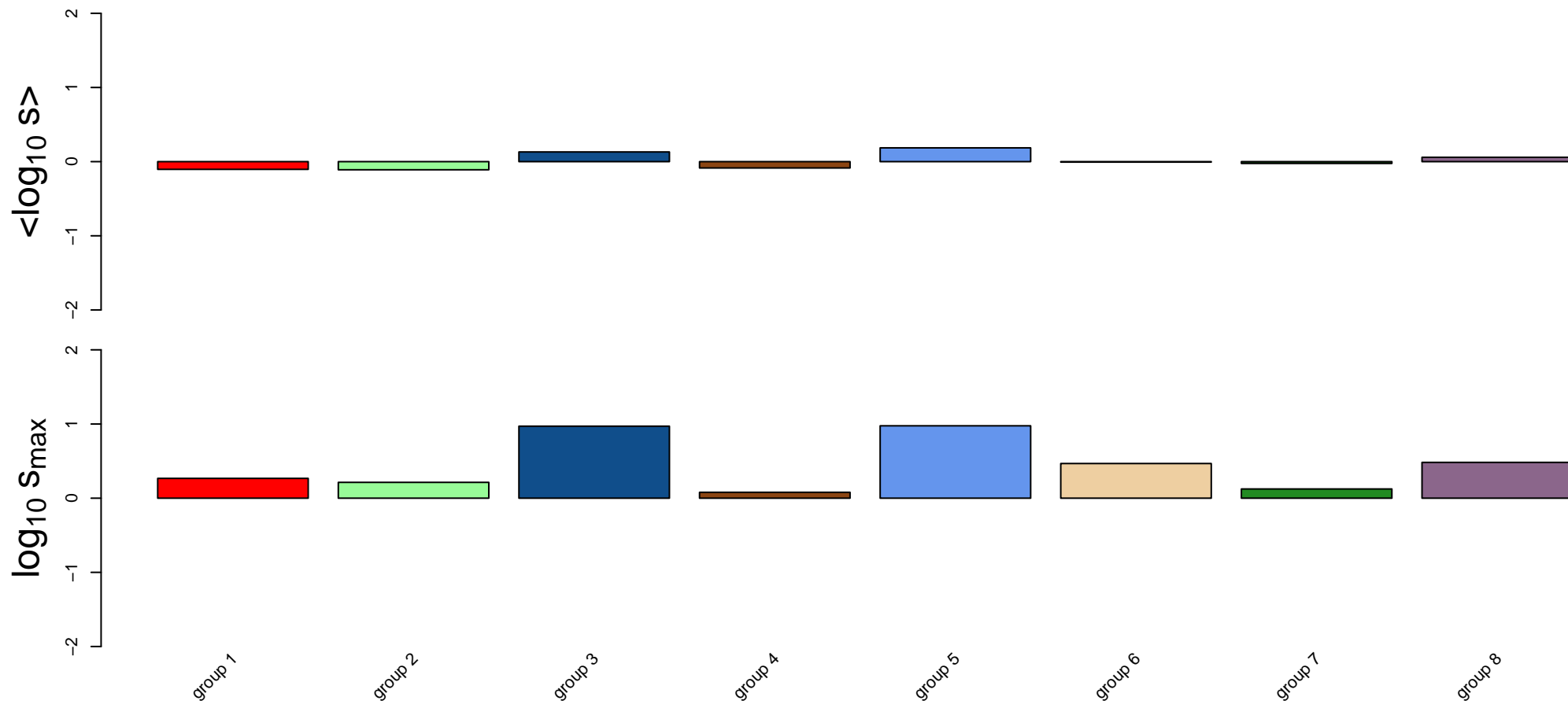


maximum = 3

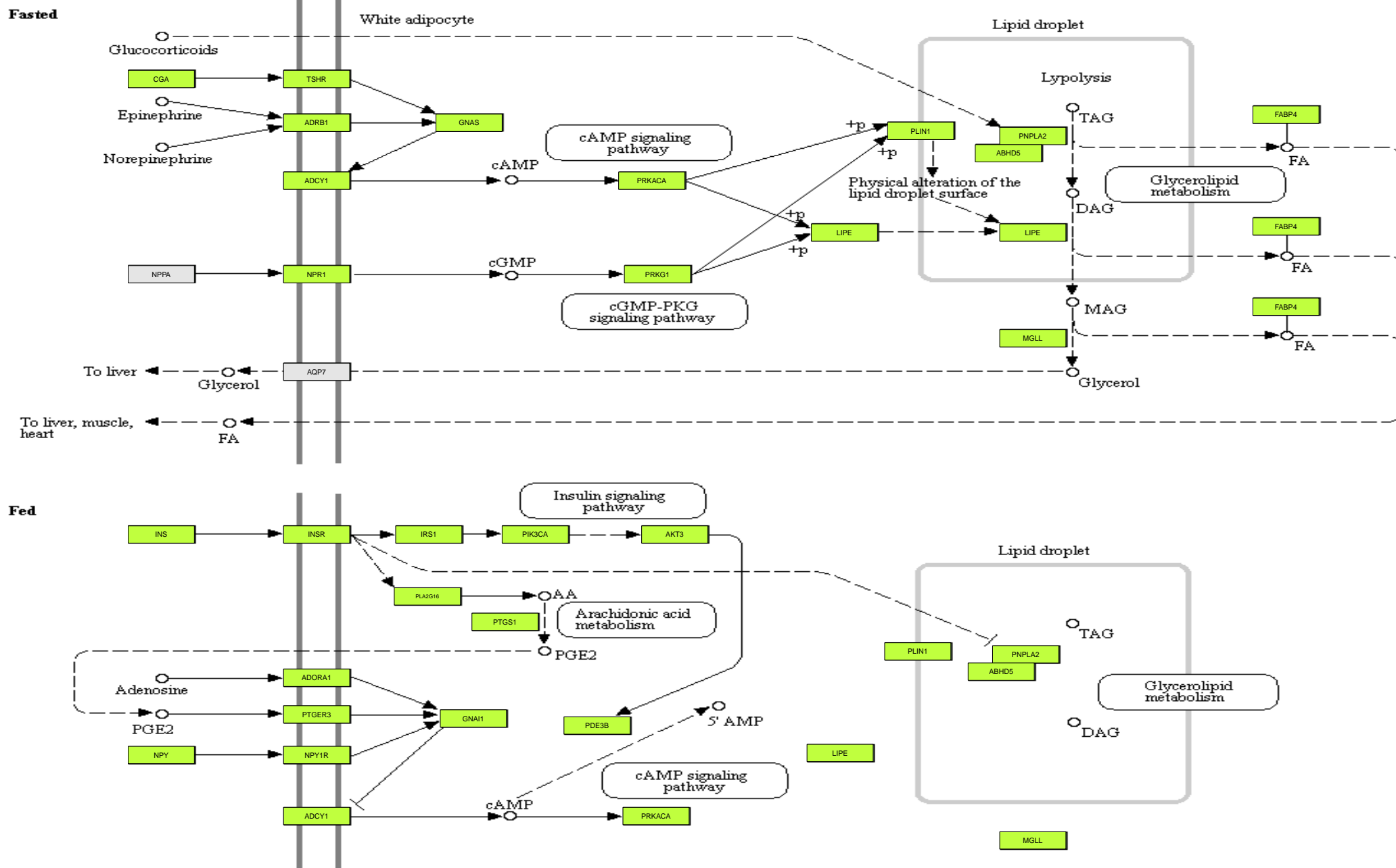
sink node genes



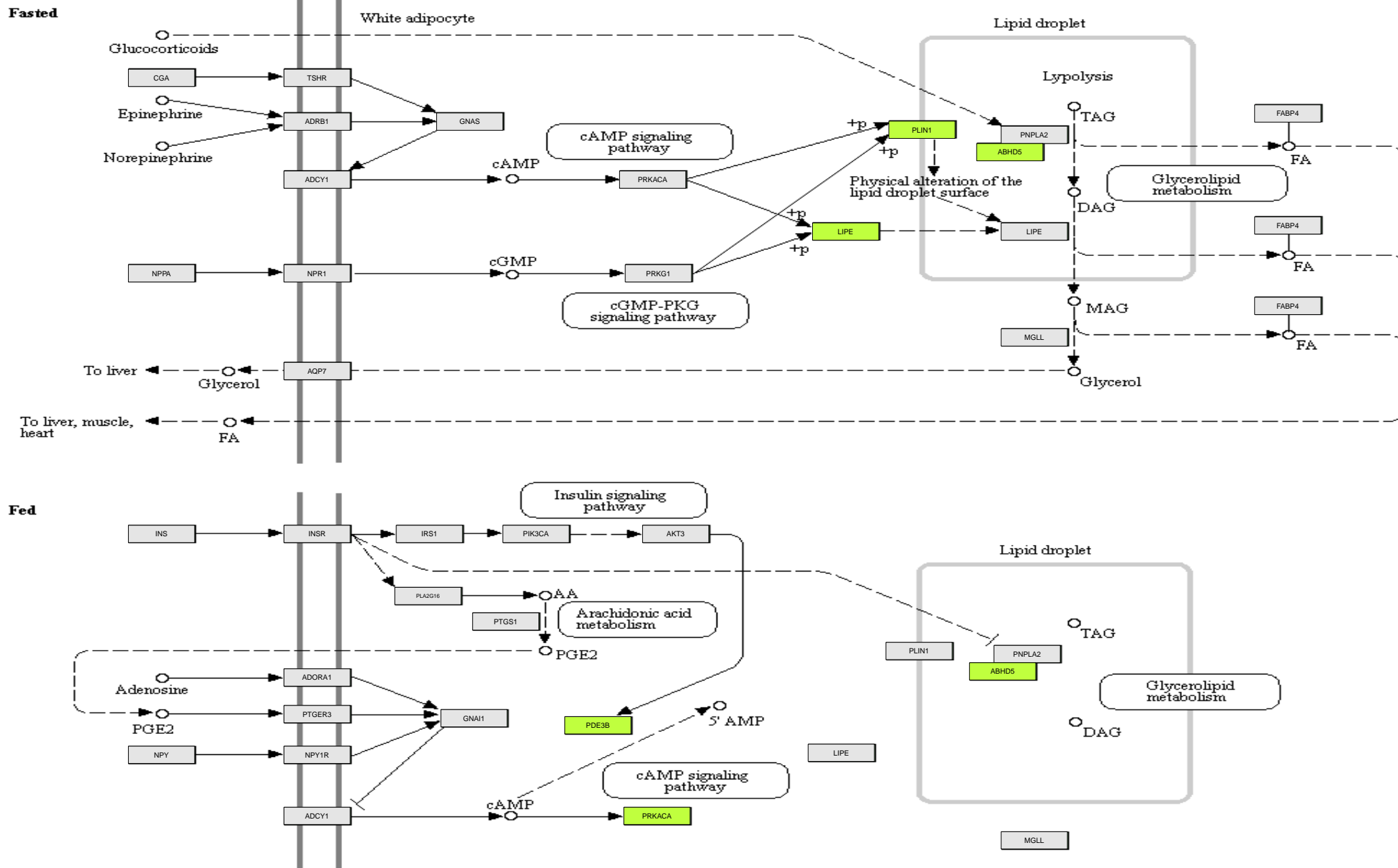
maximum = 1



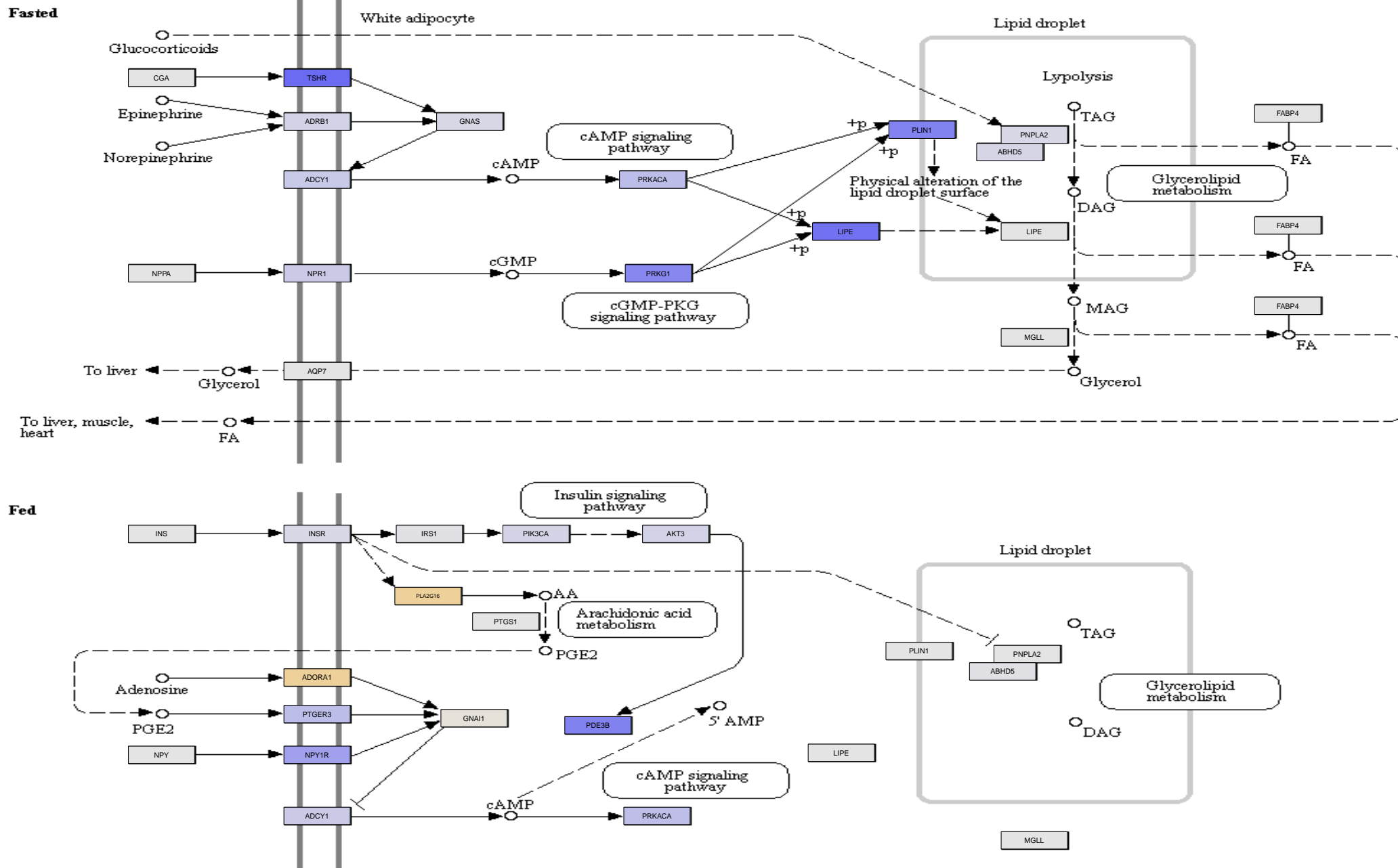
REGULATION OF LIPOLYSIS IN ADIPOCYTES



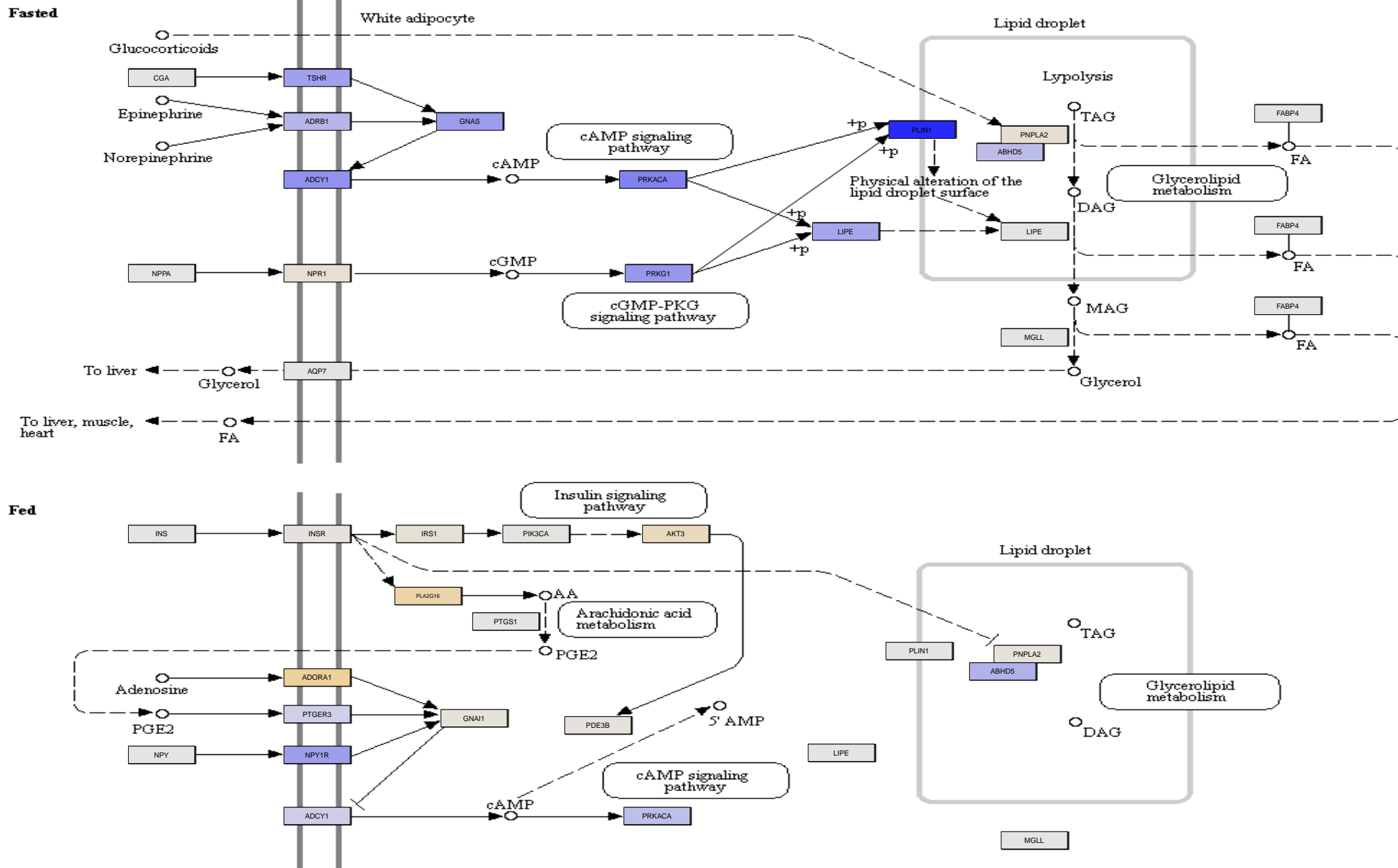
REGULATION OF LIPOLYSIS IN ADIPOCYTES



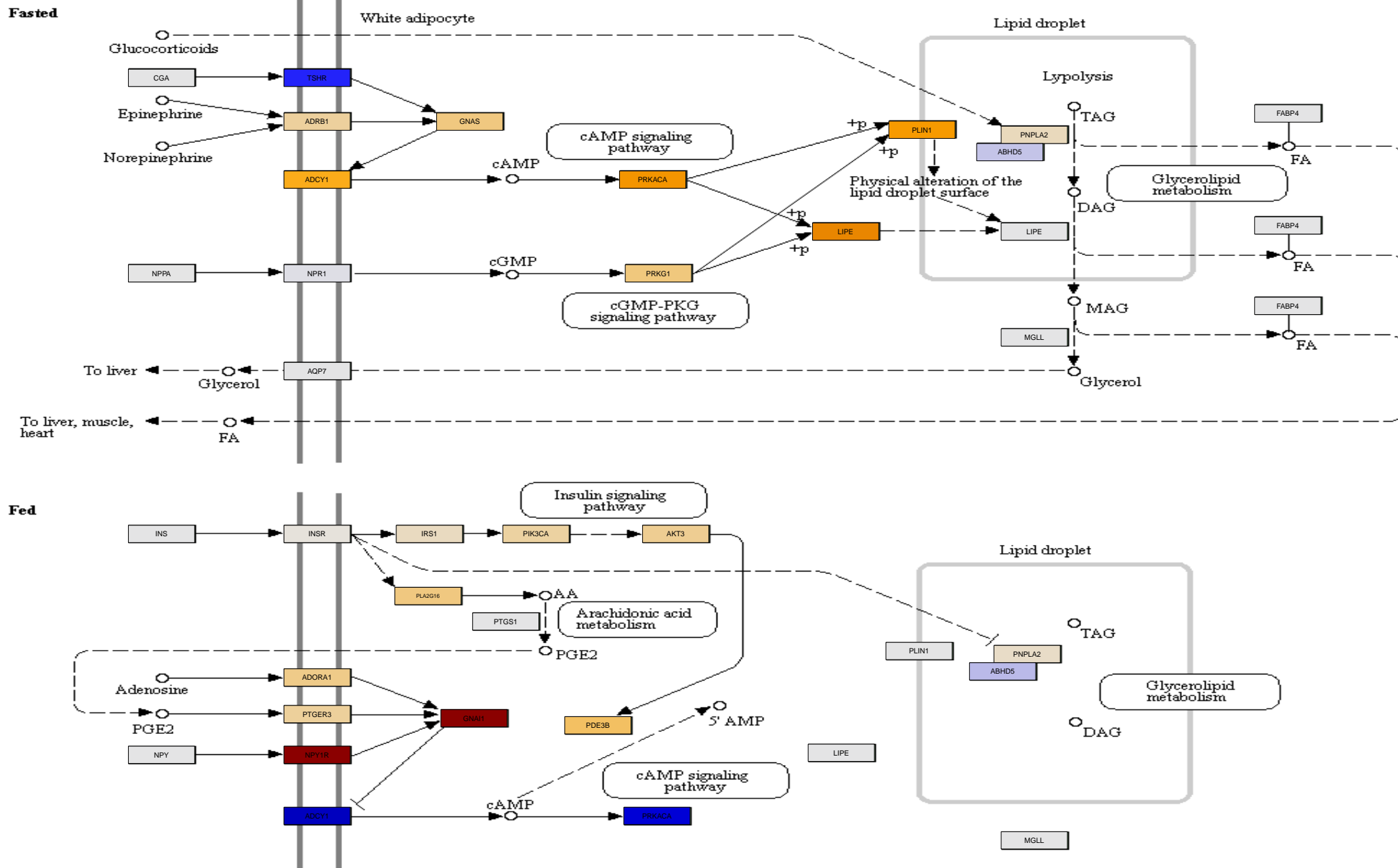
REGULATION OF LIPOLYSIS IN ADIPOCYTES



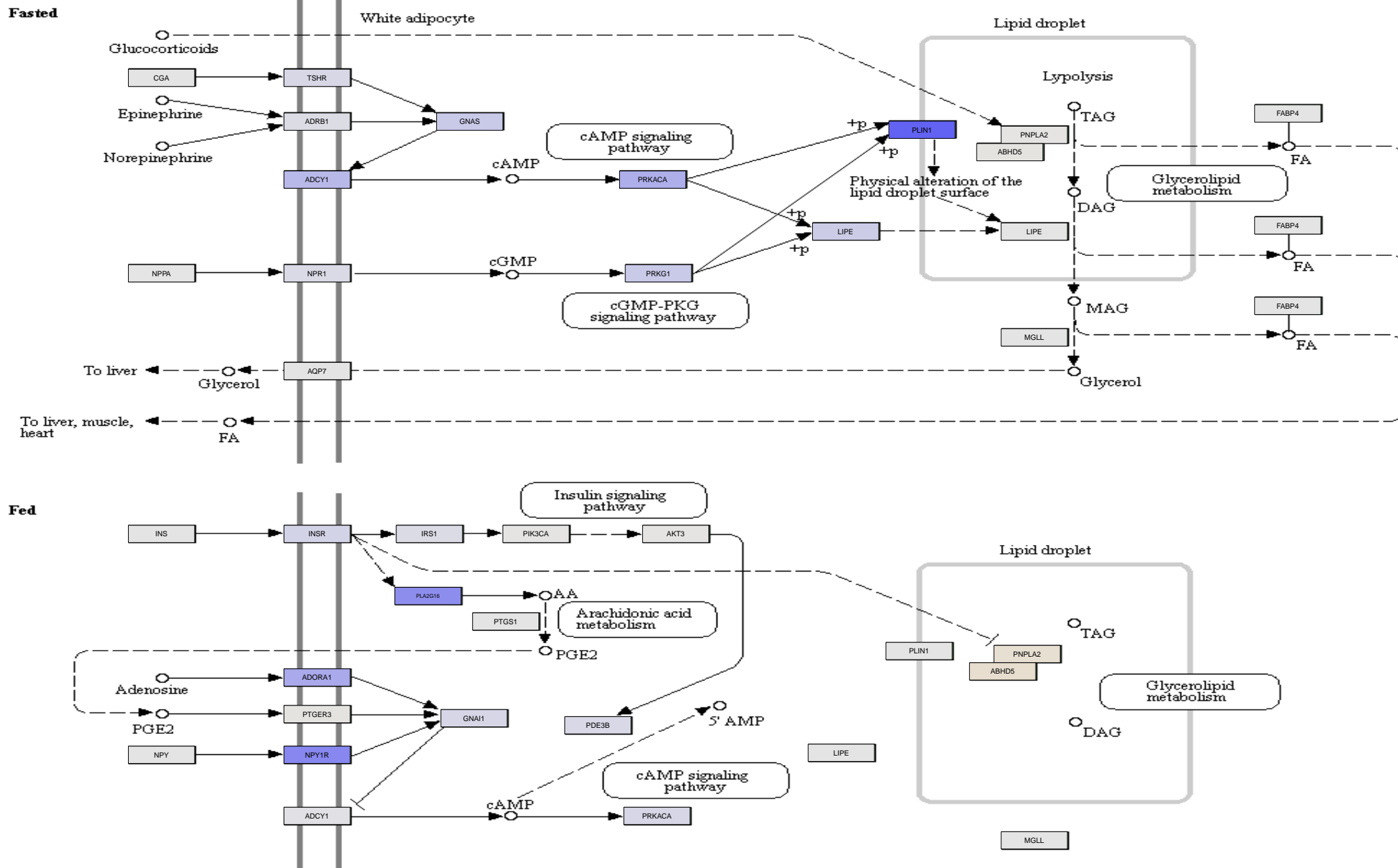
REGULATION OF LIPOLYSIS IN ADIPOCYTES



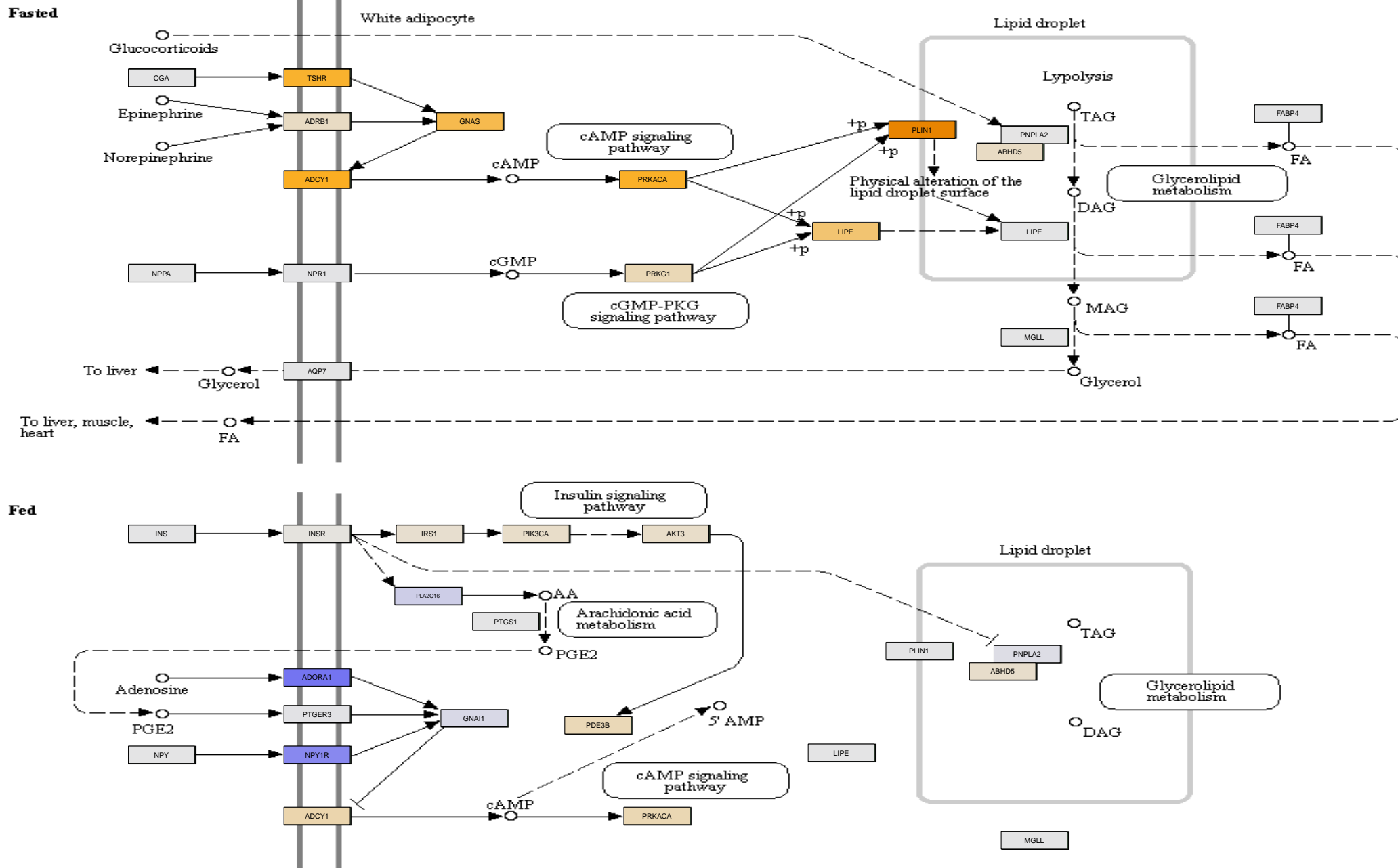
REGULATION OF LIPOLYSIS IN ADIPOCYTES



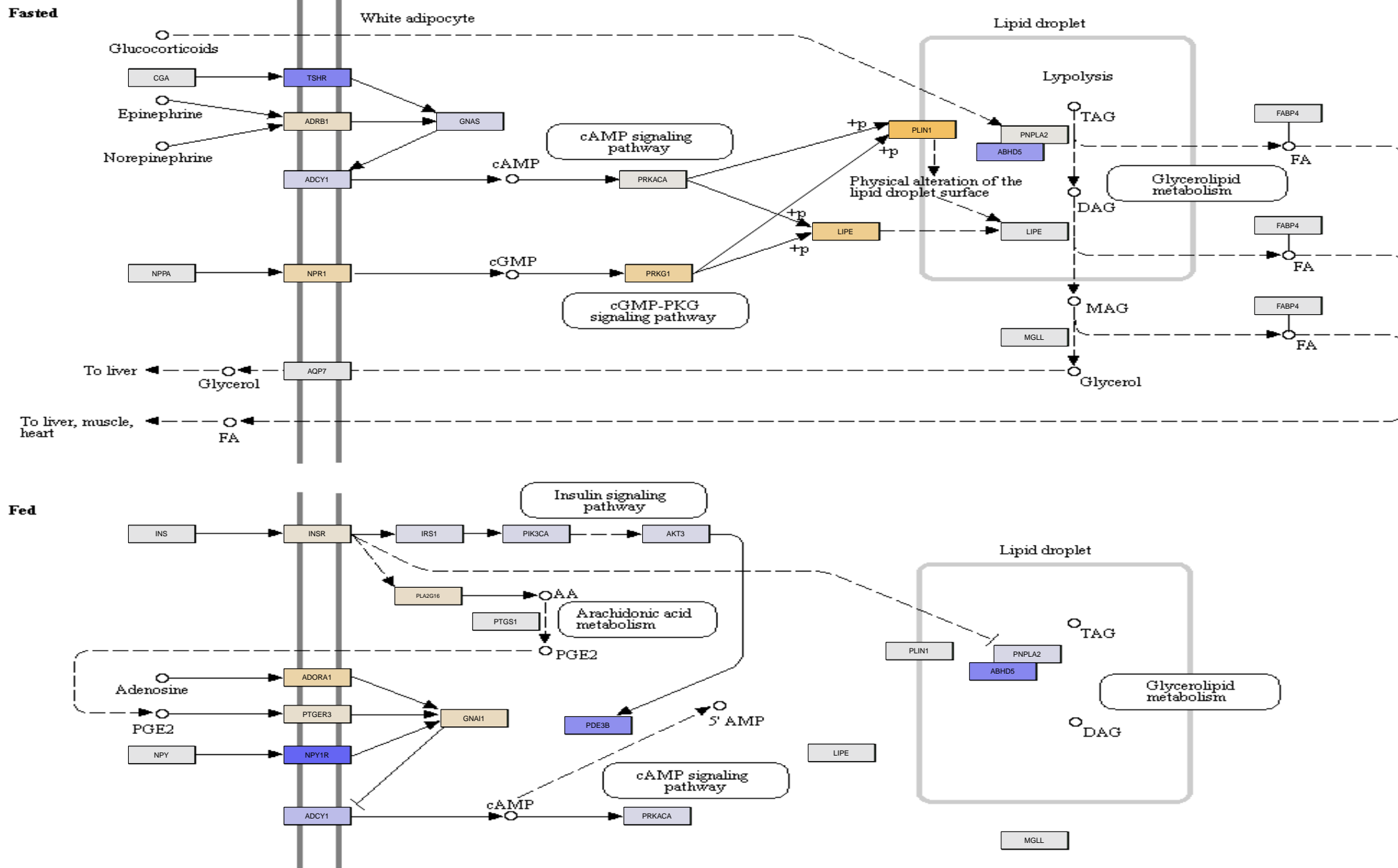
REGULATION OF LIPOLYSIS IN ADIPOCYTES



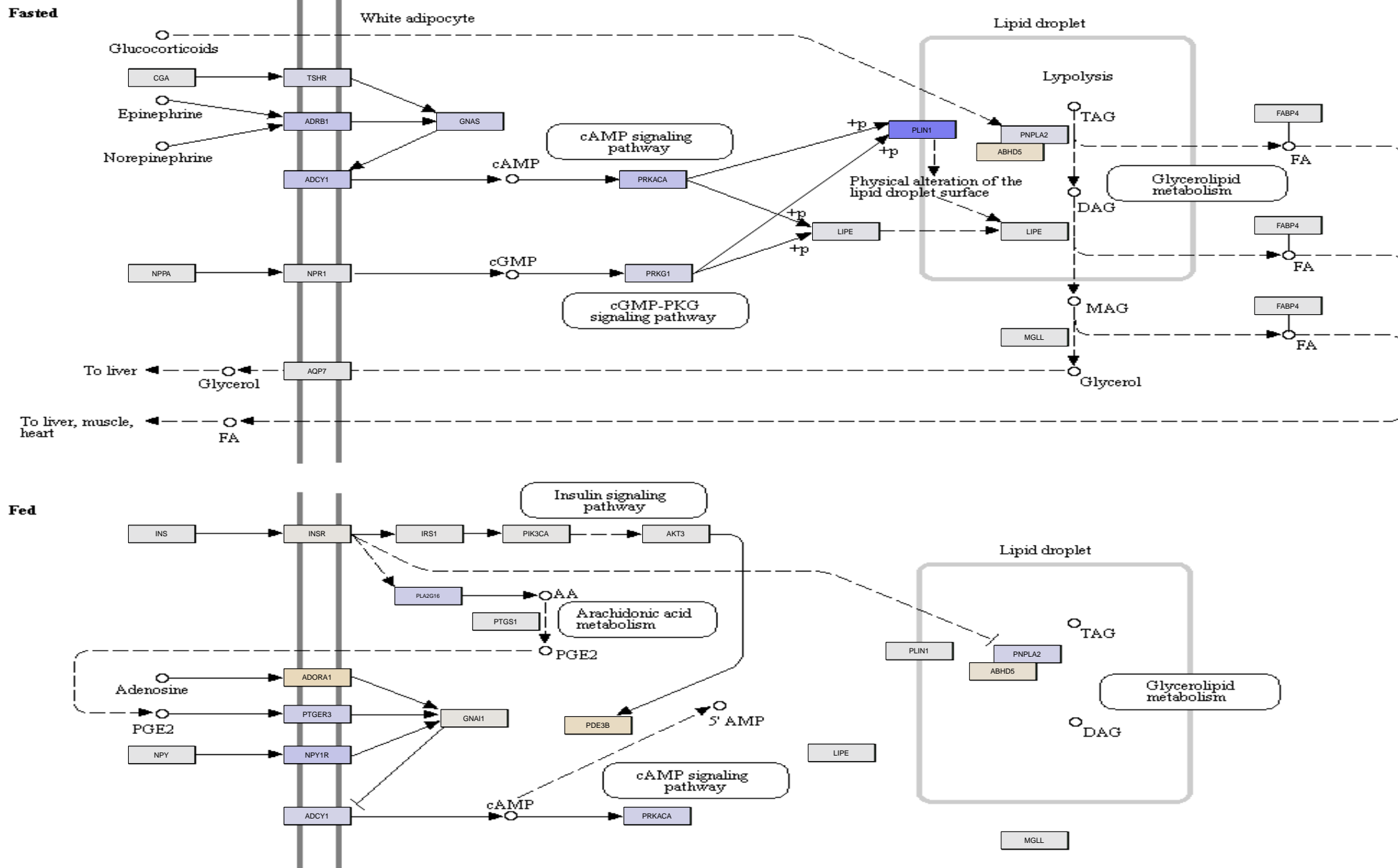
REGULATION OF LIPOLYSIS IN ADIPOCYTES



REGULATION OF LIPOLYSIS IN ADIPOCYTES



REGULATION OF LIPOLYSIS IN ADIPOCYTES



REGULATION OF LIPOLYSIS IN ADIPOCYTES

