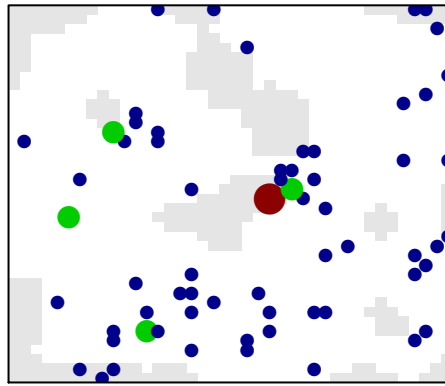
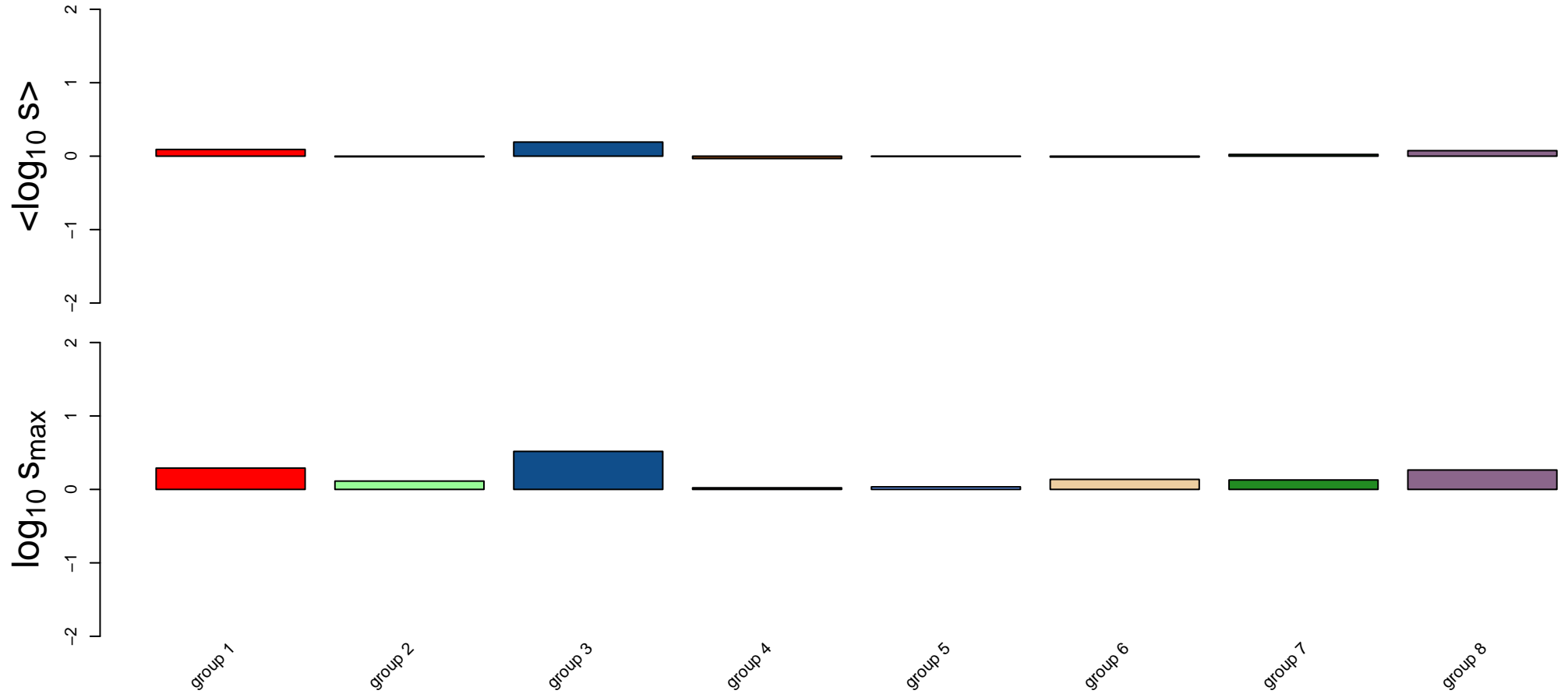


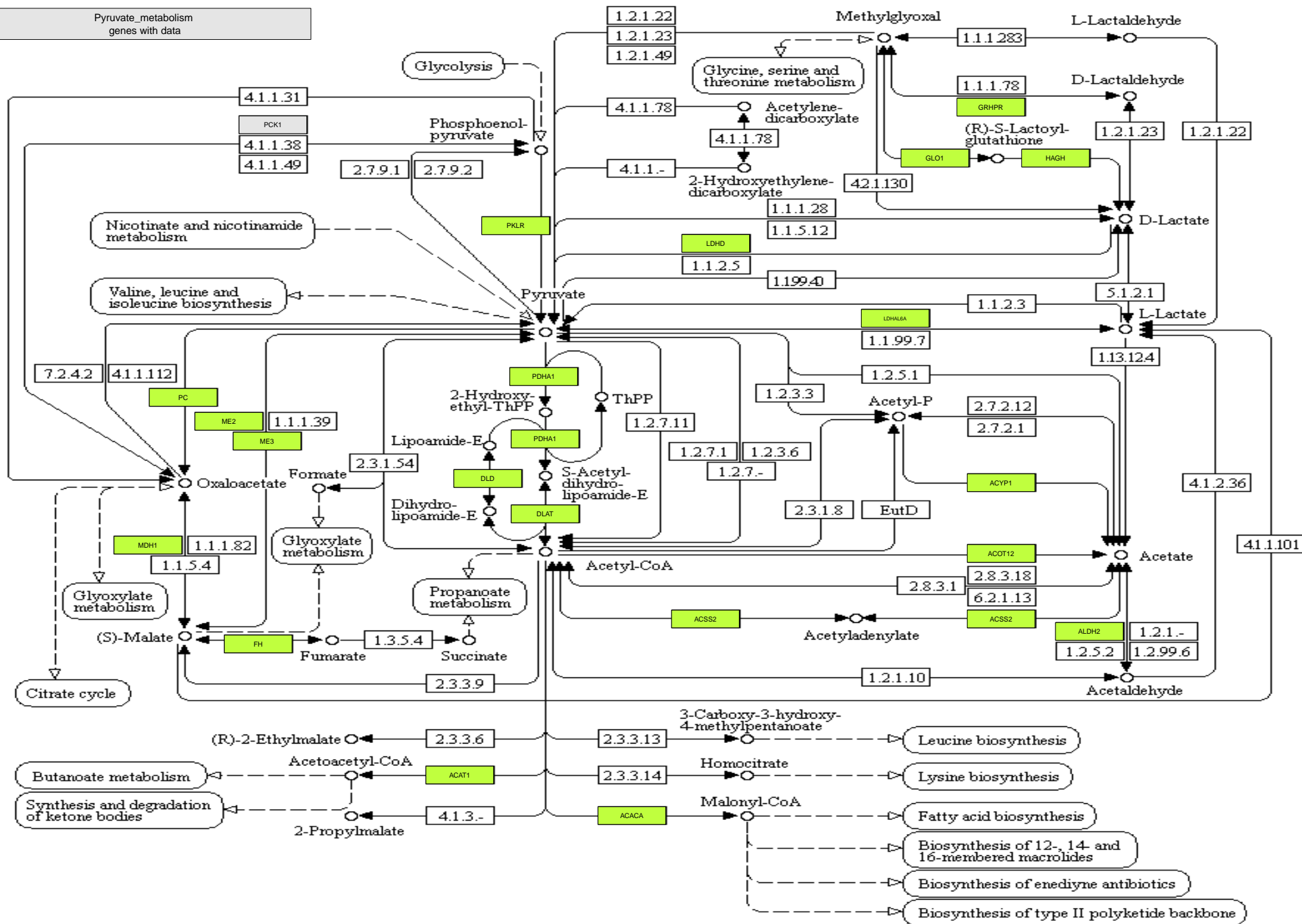
# Pyruvate metabolism

all genes



maximum = 3





Pyruvate\_metabolism  
sink nodes

