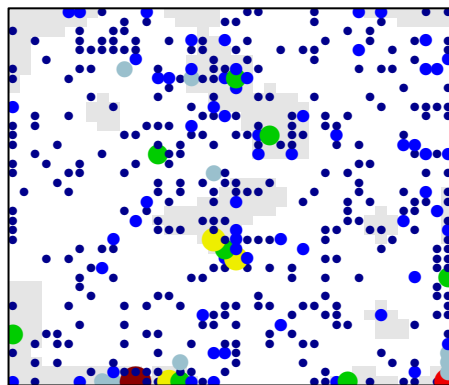
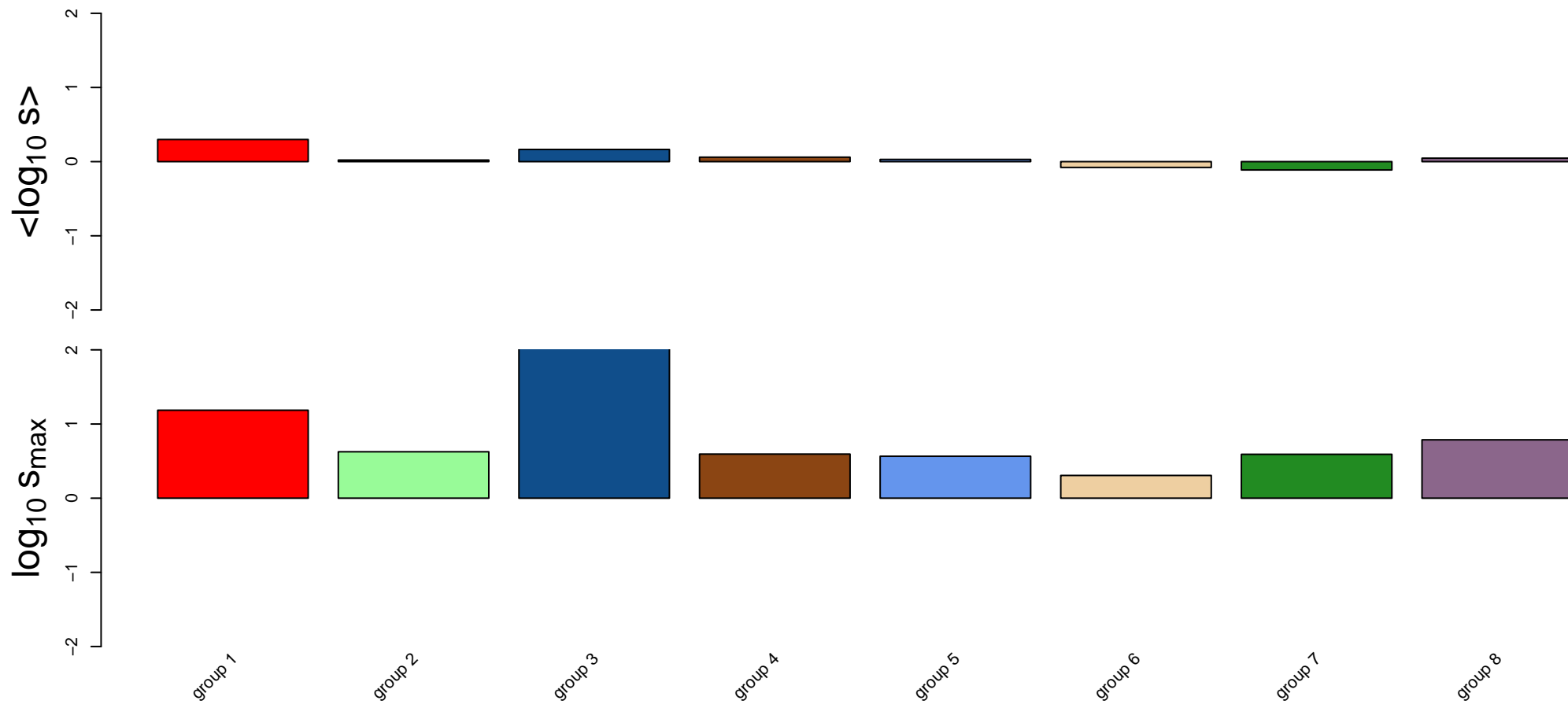
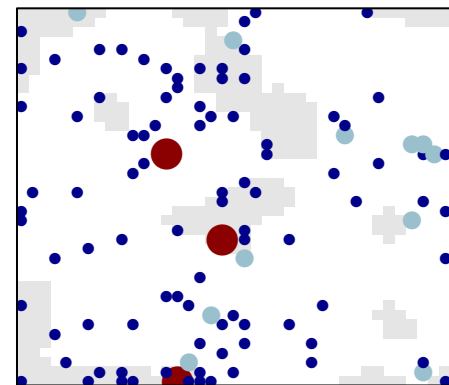


# Proteoglycans in cancer

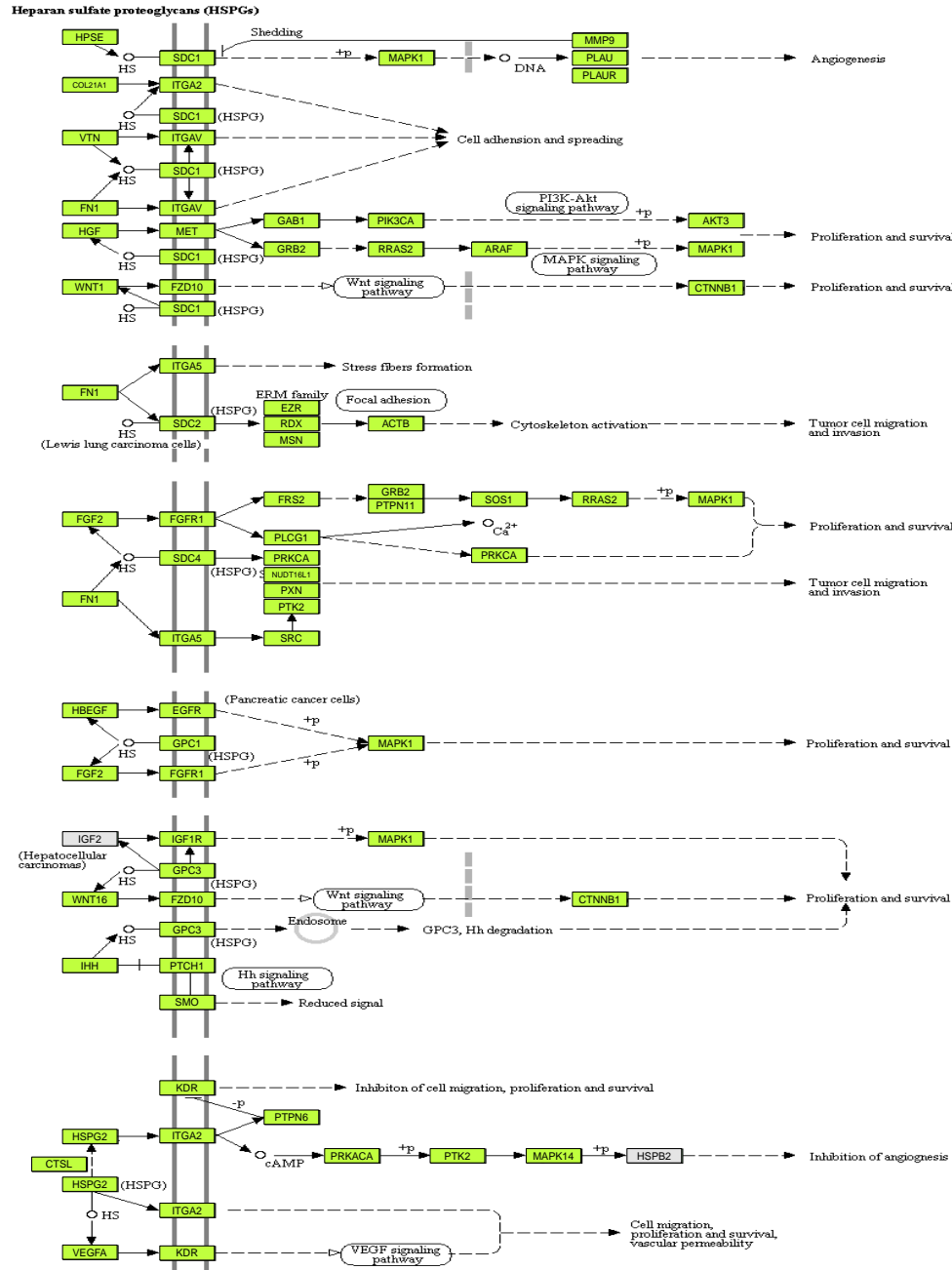
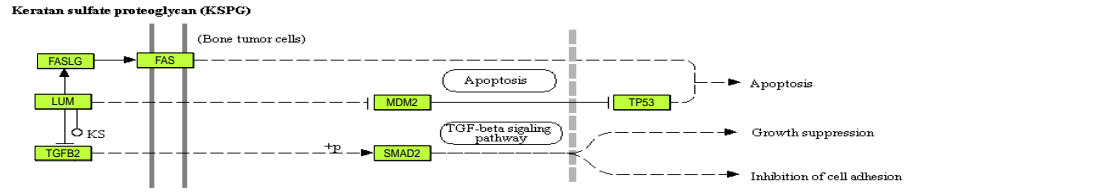
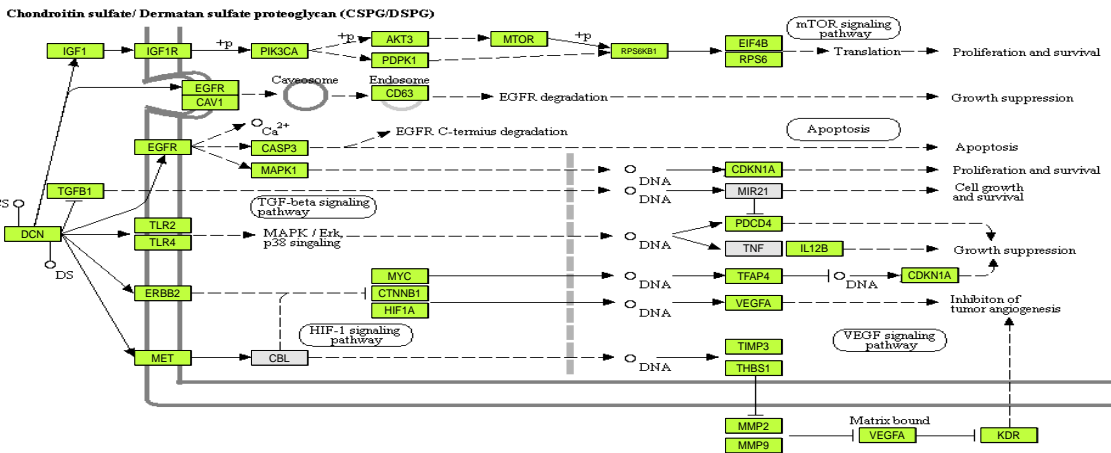
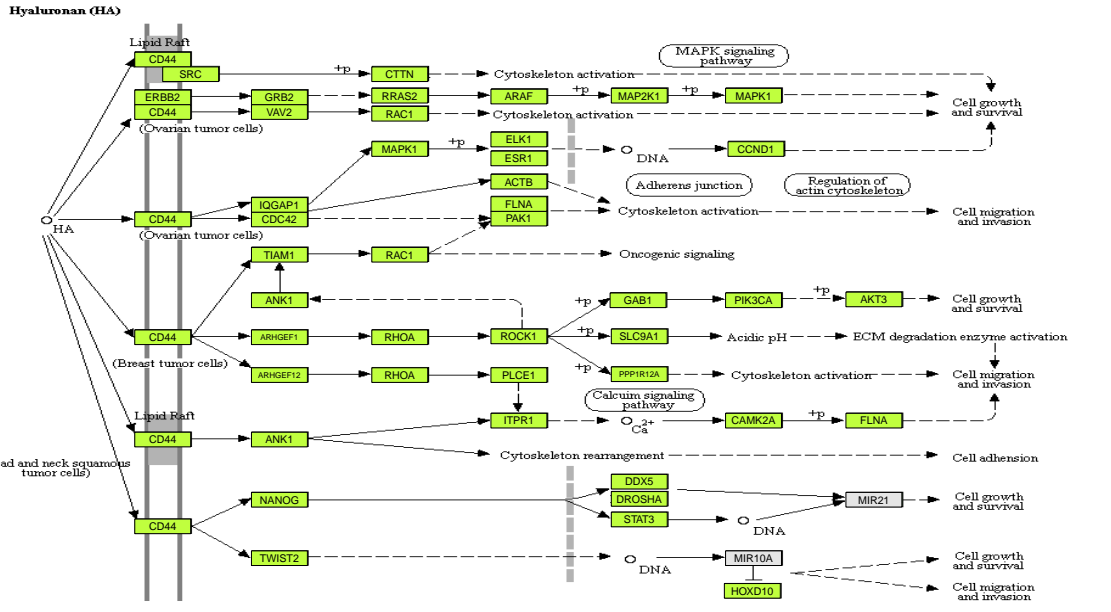
## all genes



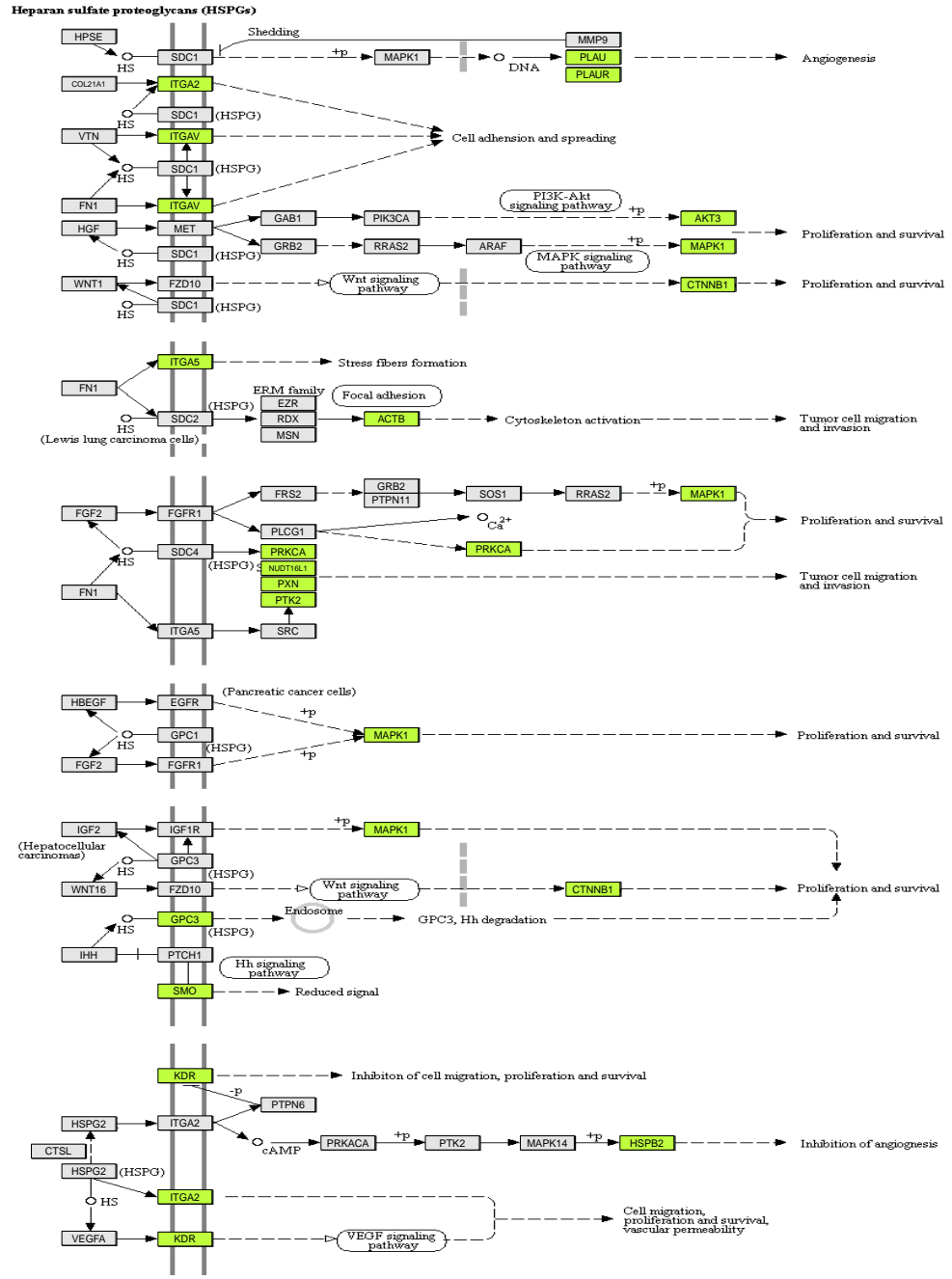
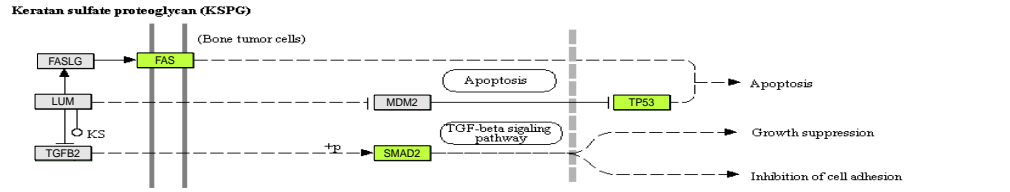
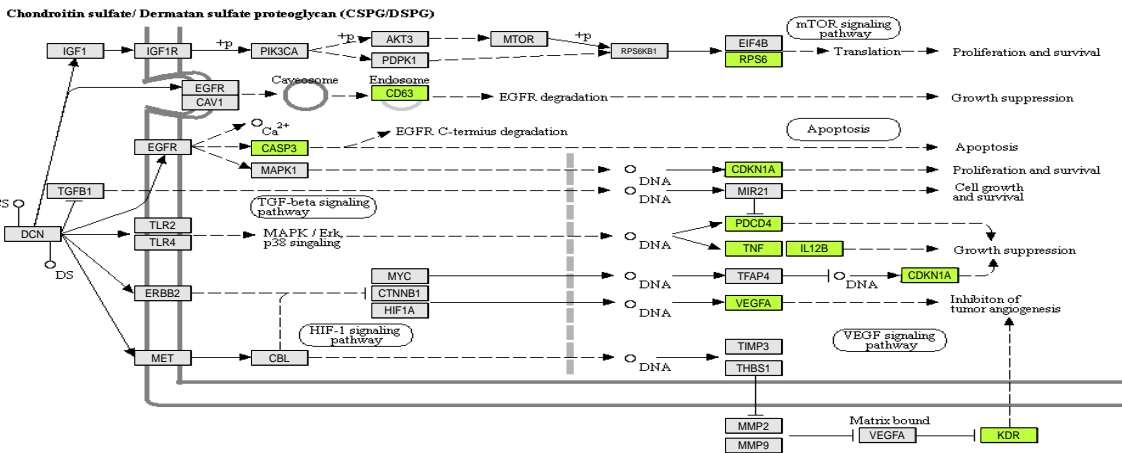
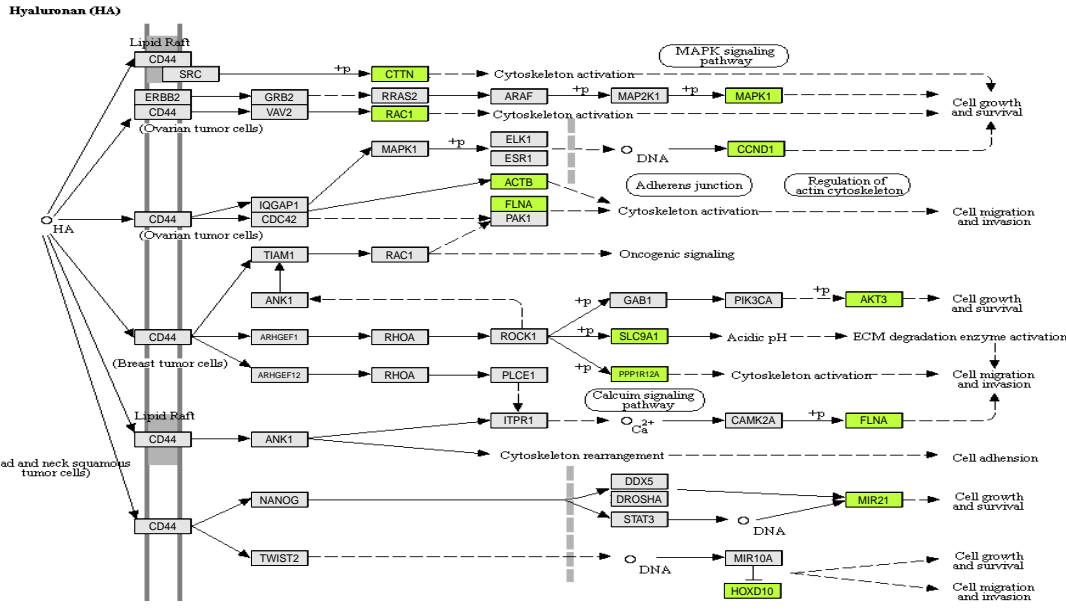
## sink node genes



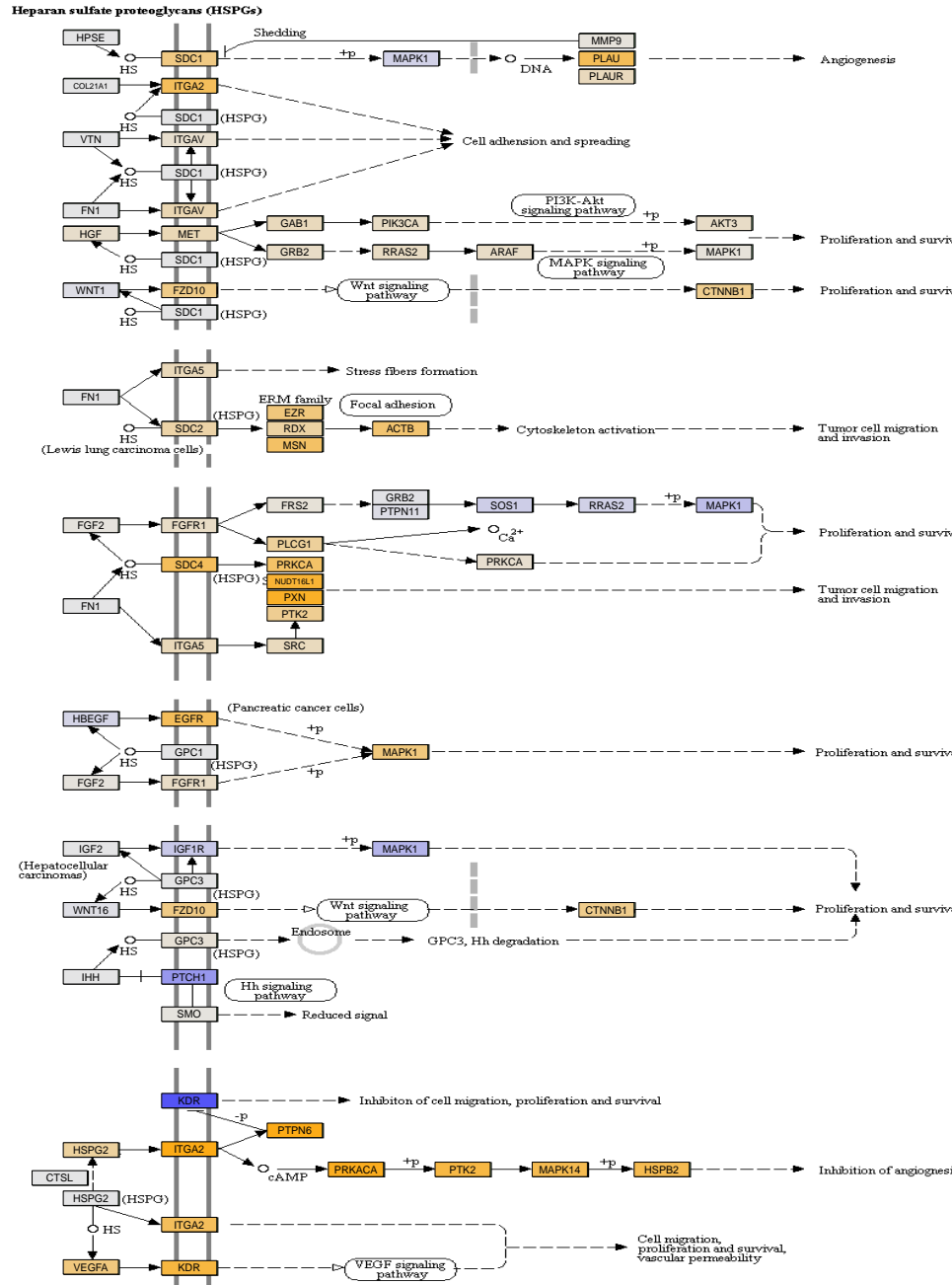
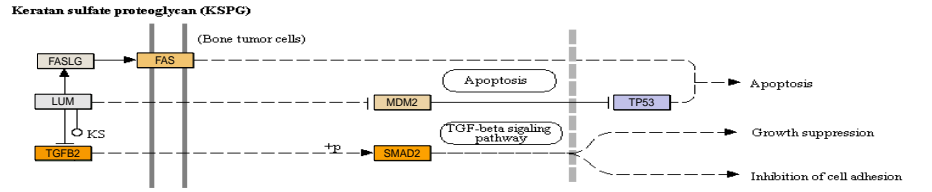
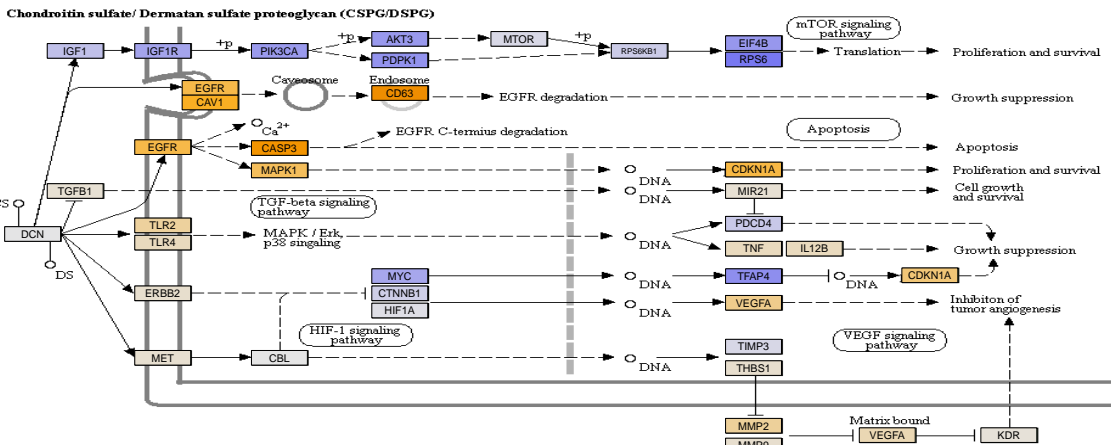
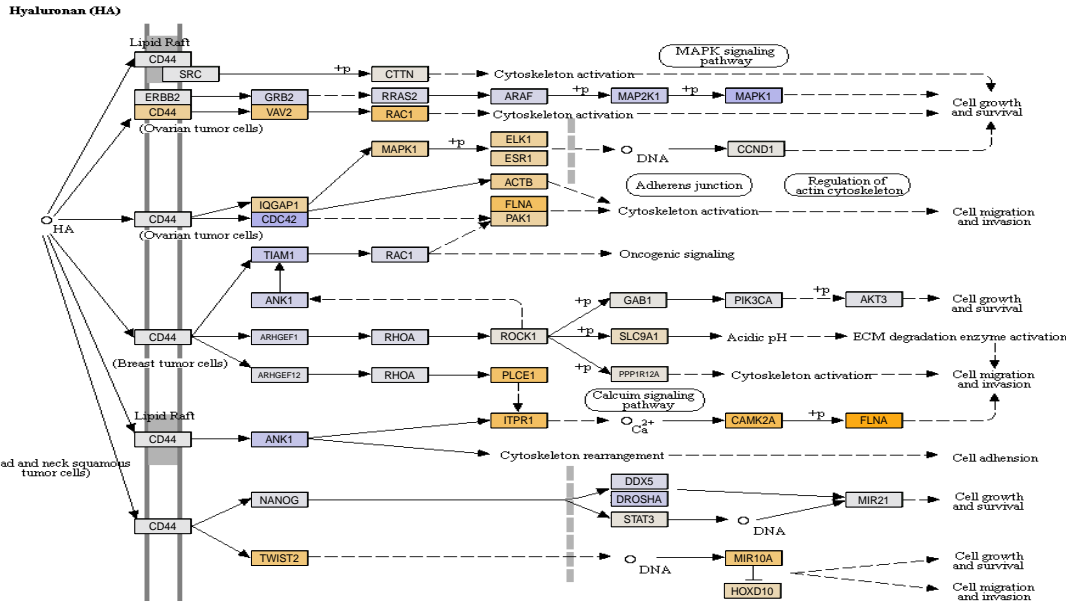
Proteoglycans\_in\_cancer  
genes with data



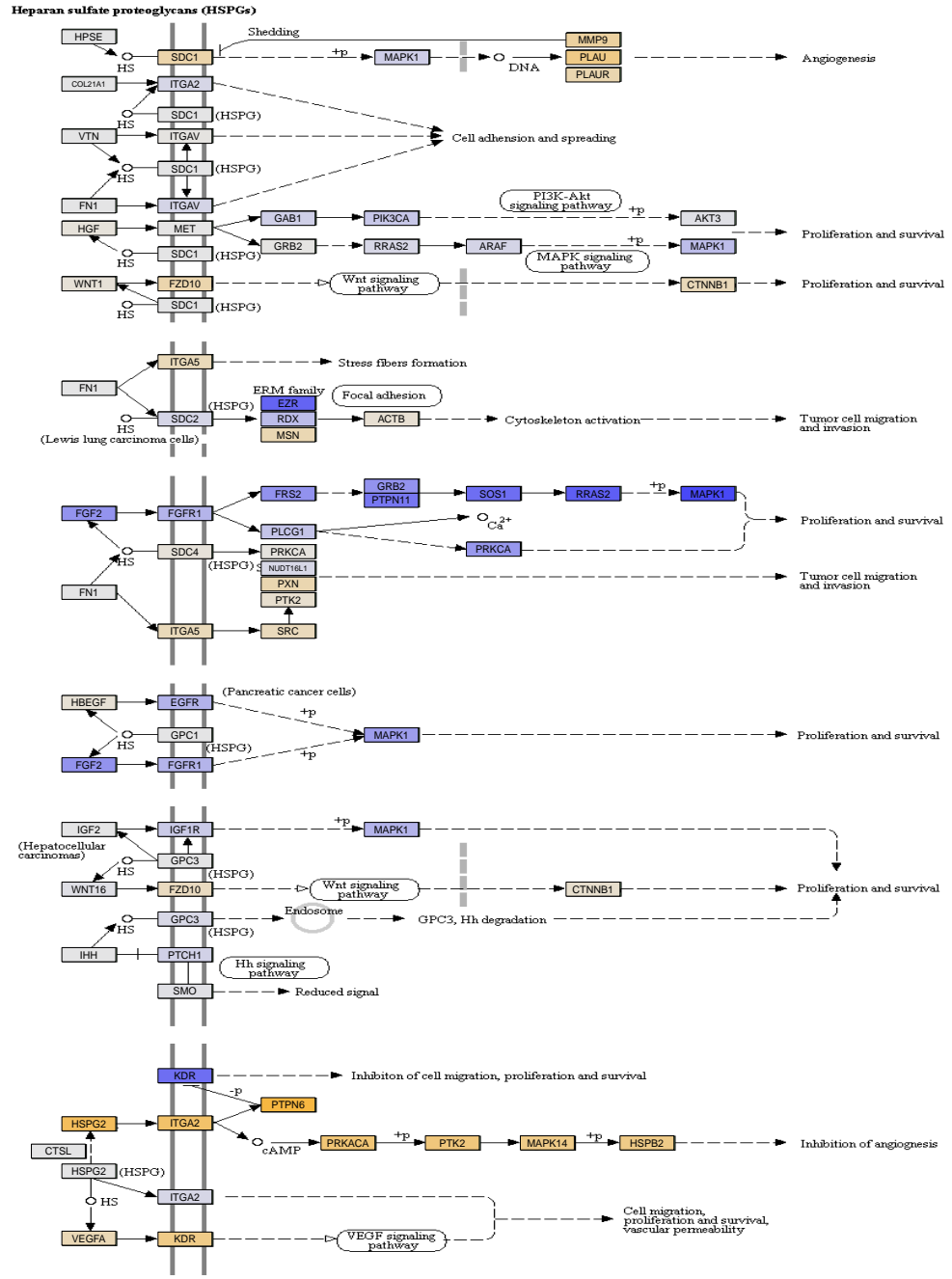
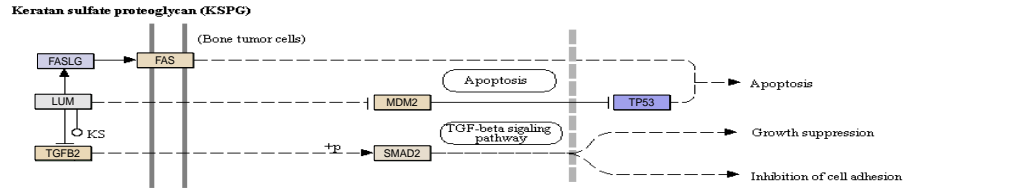
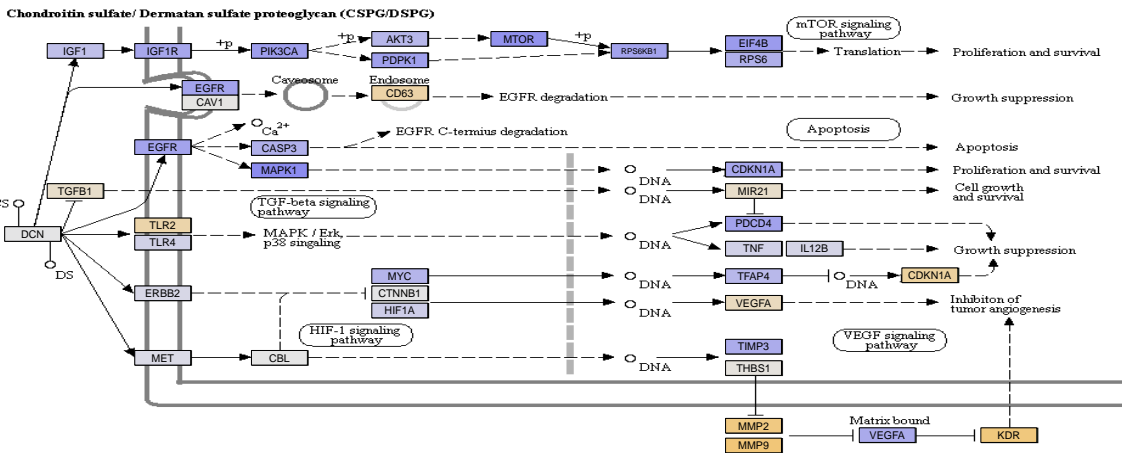
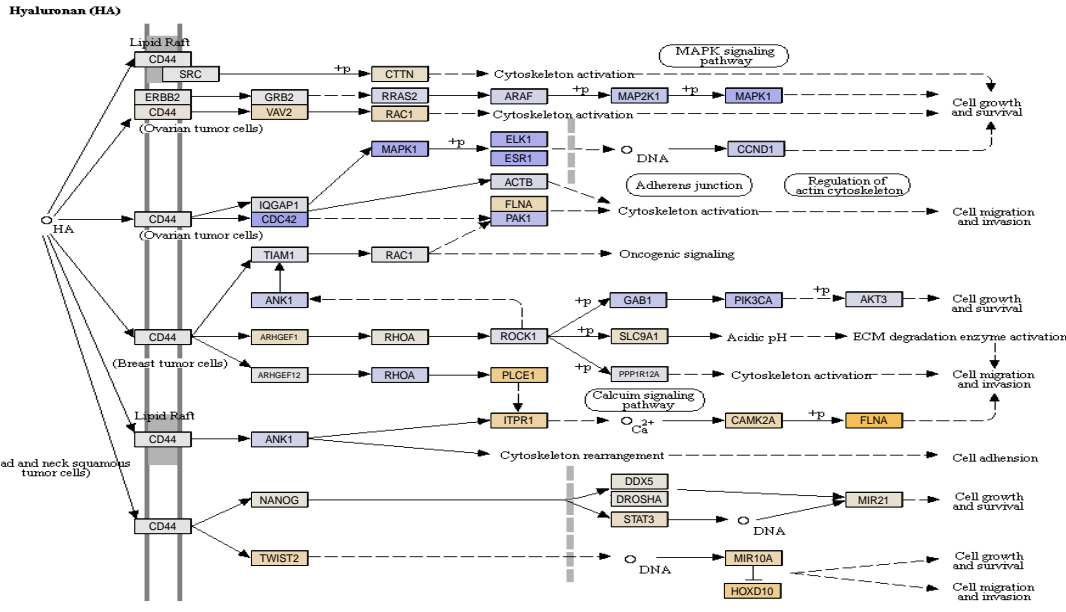
**Proteoglycans\_in\_cancer  
sink nodes**



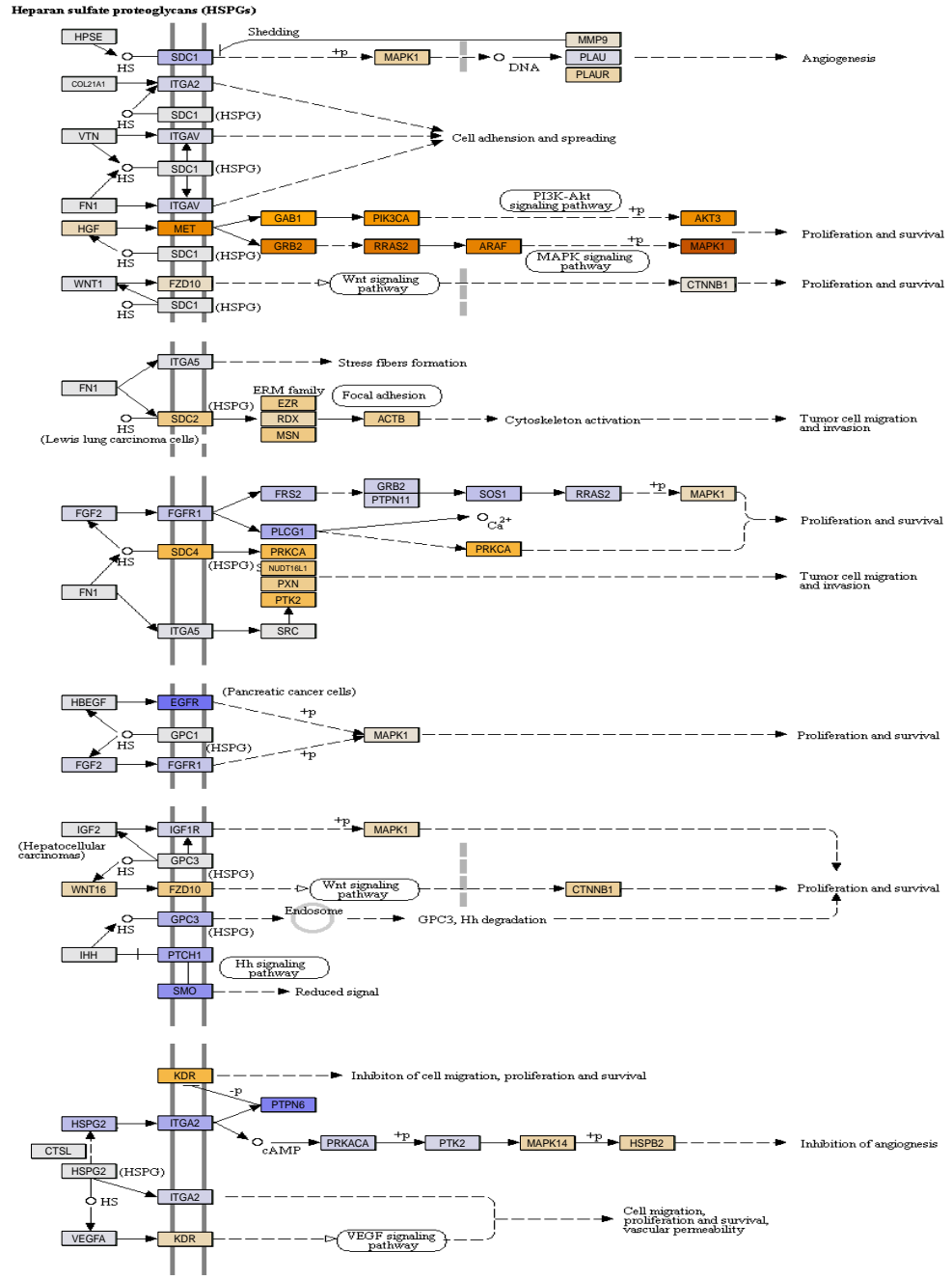
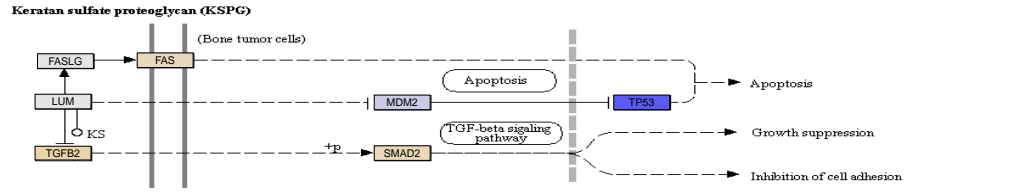
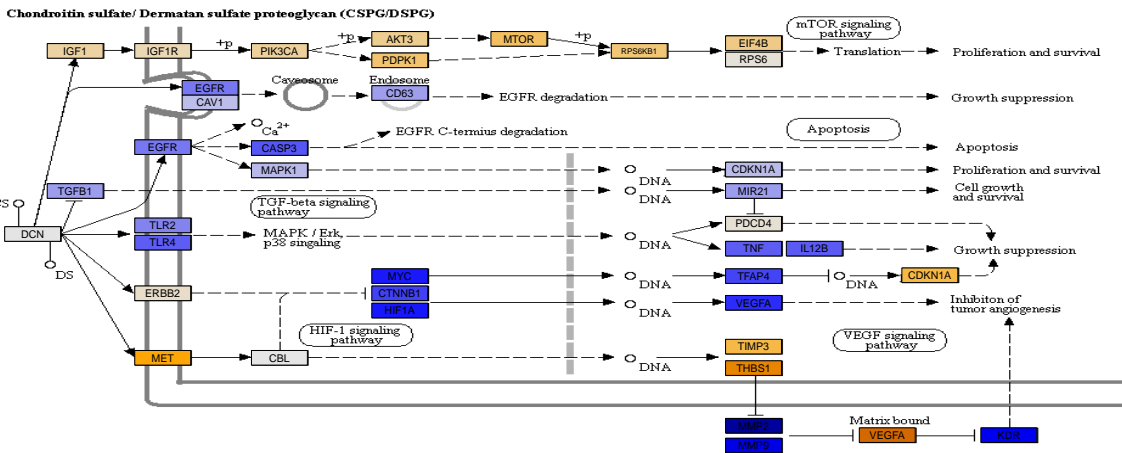
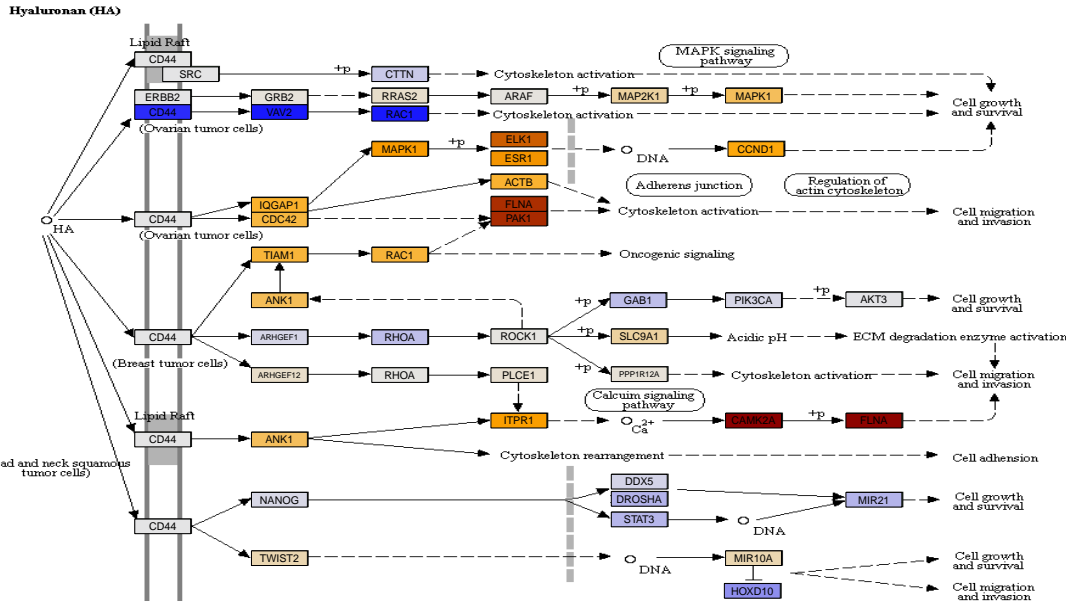
Proteoglycans\_in\_cancer\_group 1



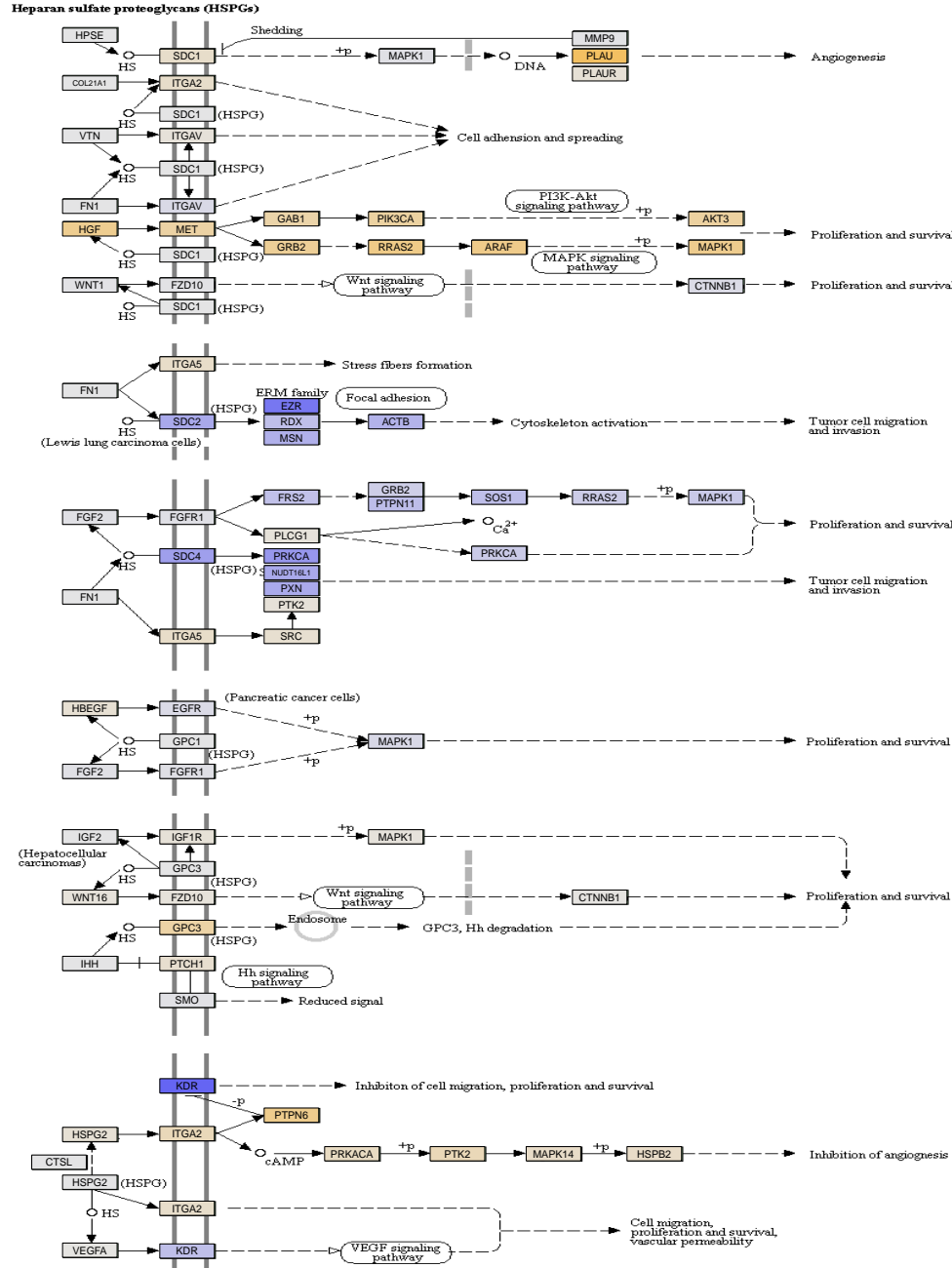
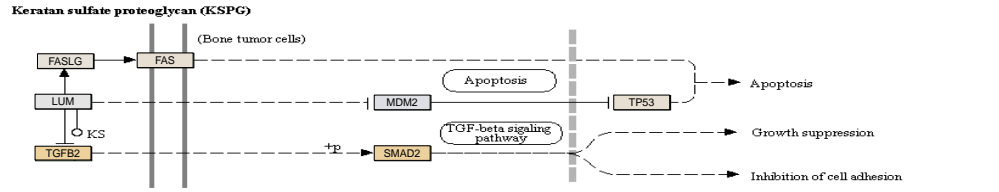
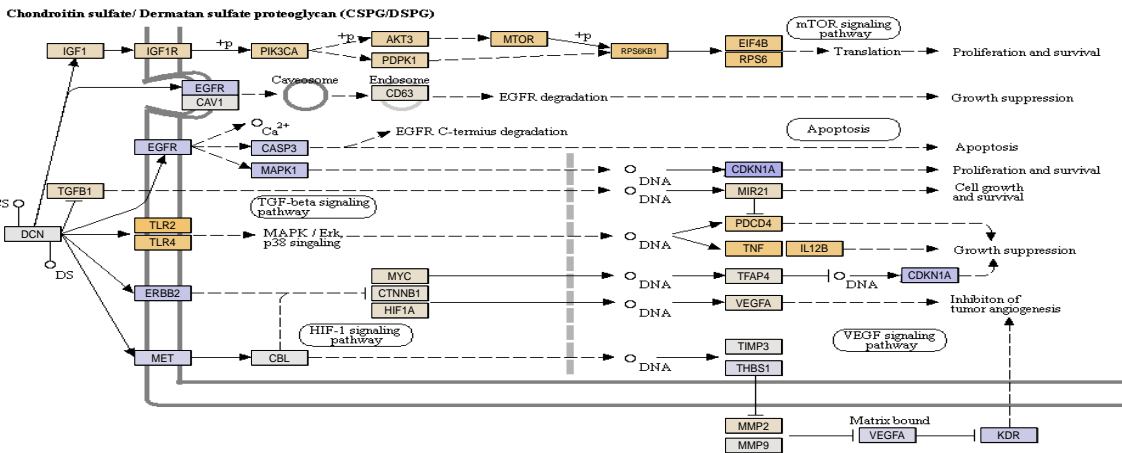
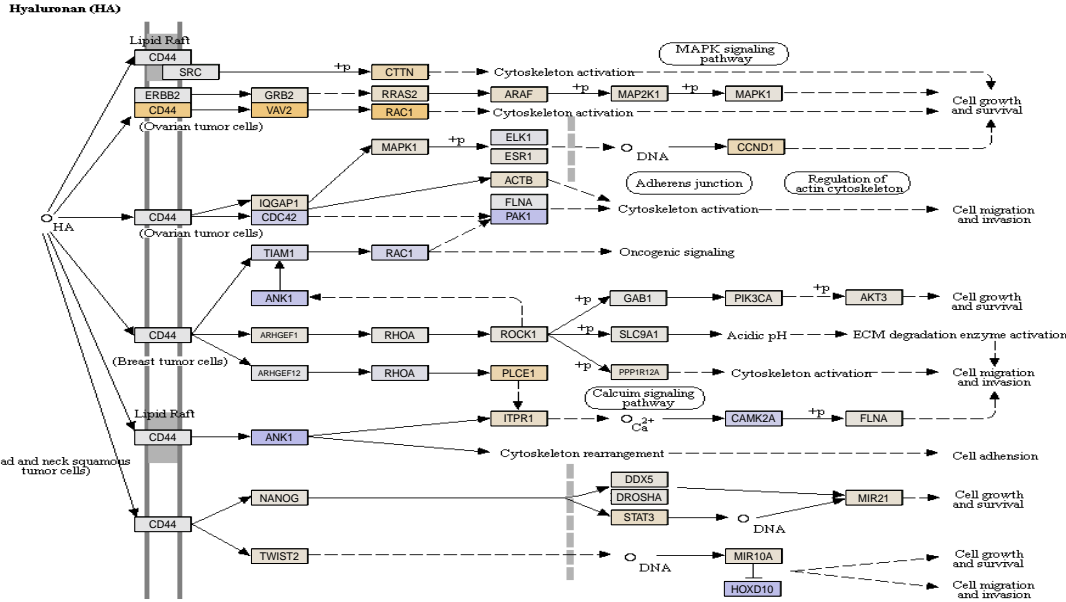
Proteoglycans\_in\_cancer\_group 2



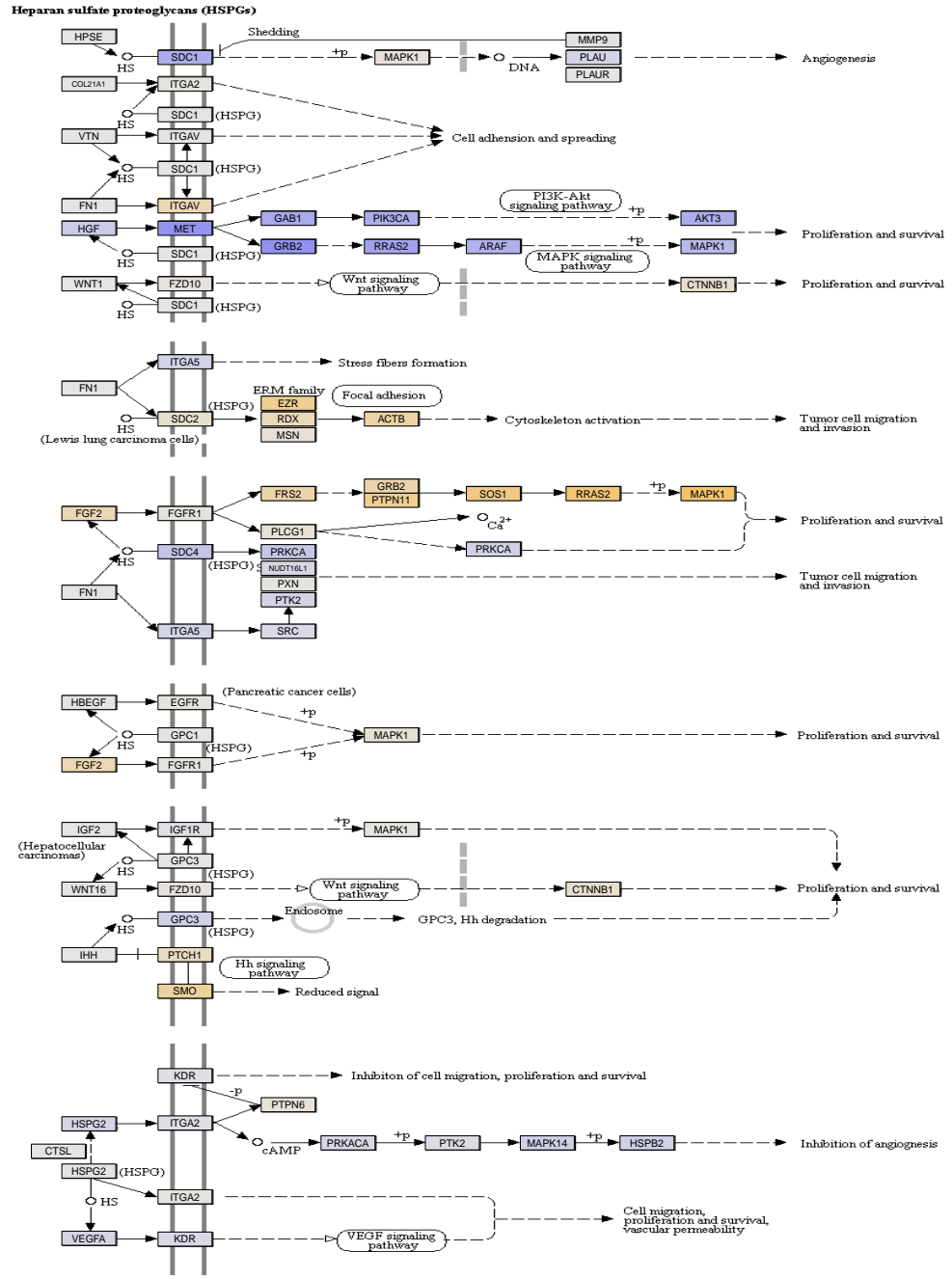
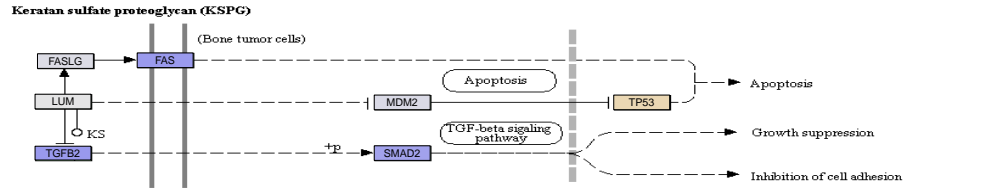
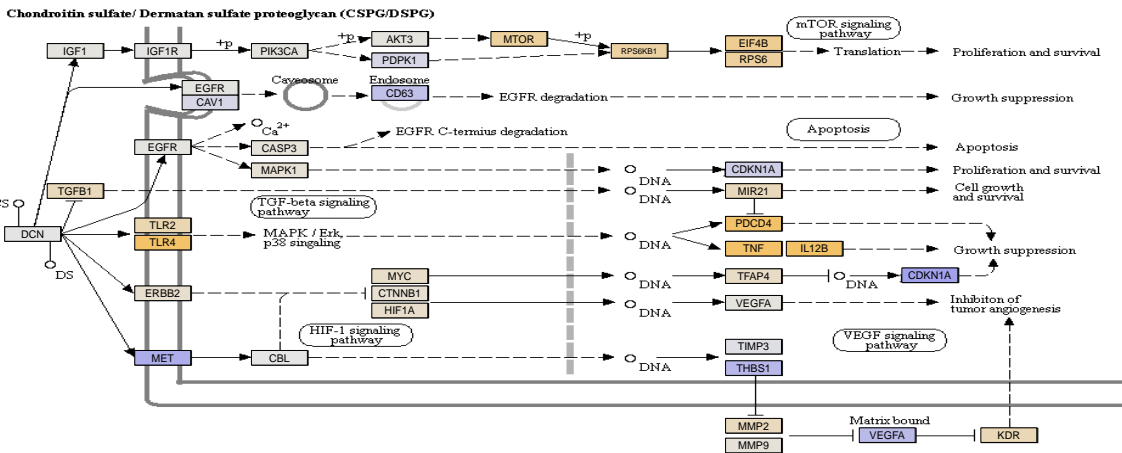
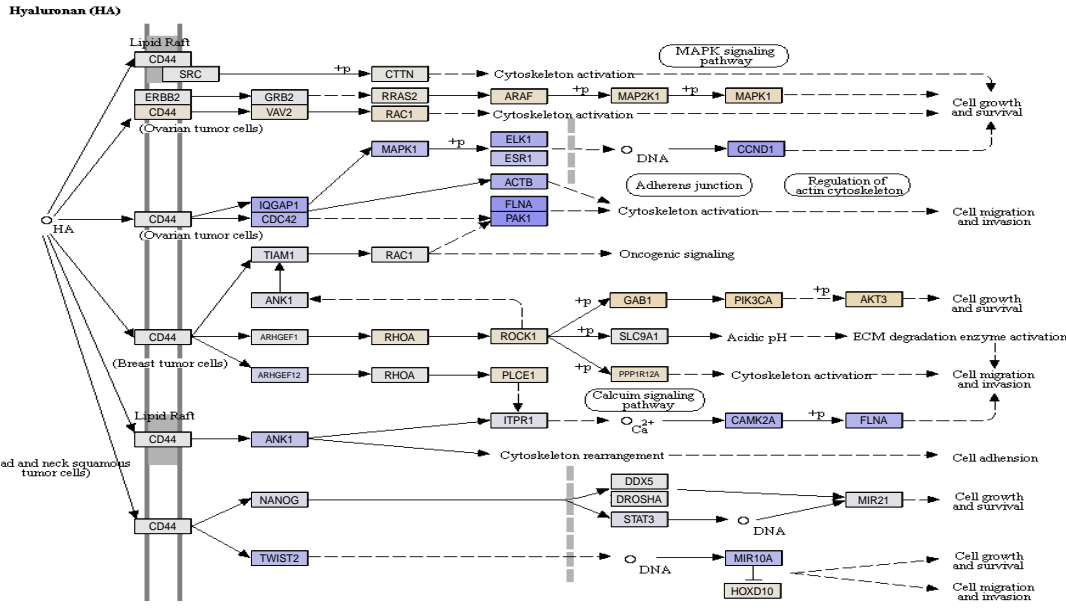
Proteoglycans\_in\_cancer\_group 3



Proteoglycans\_in\_cancer\_group 4

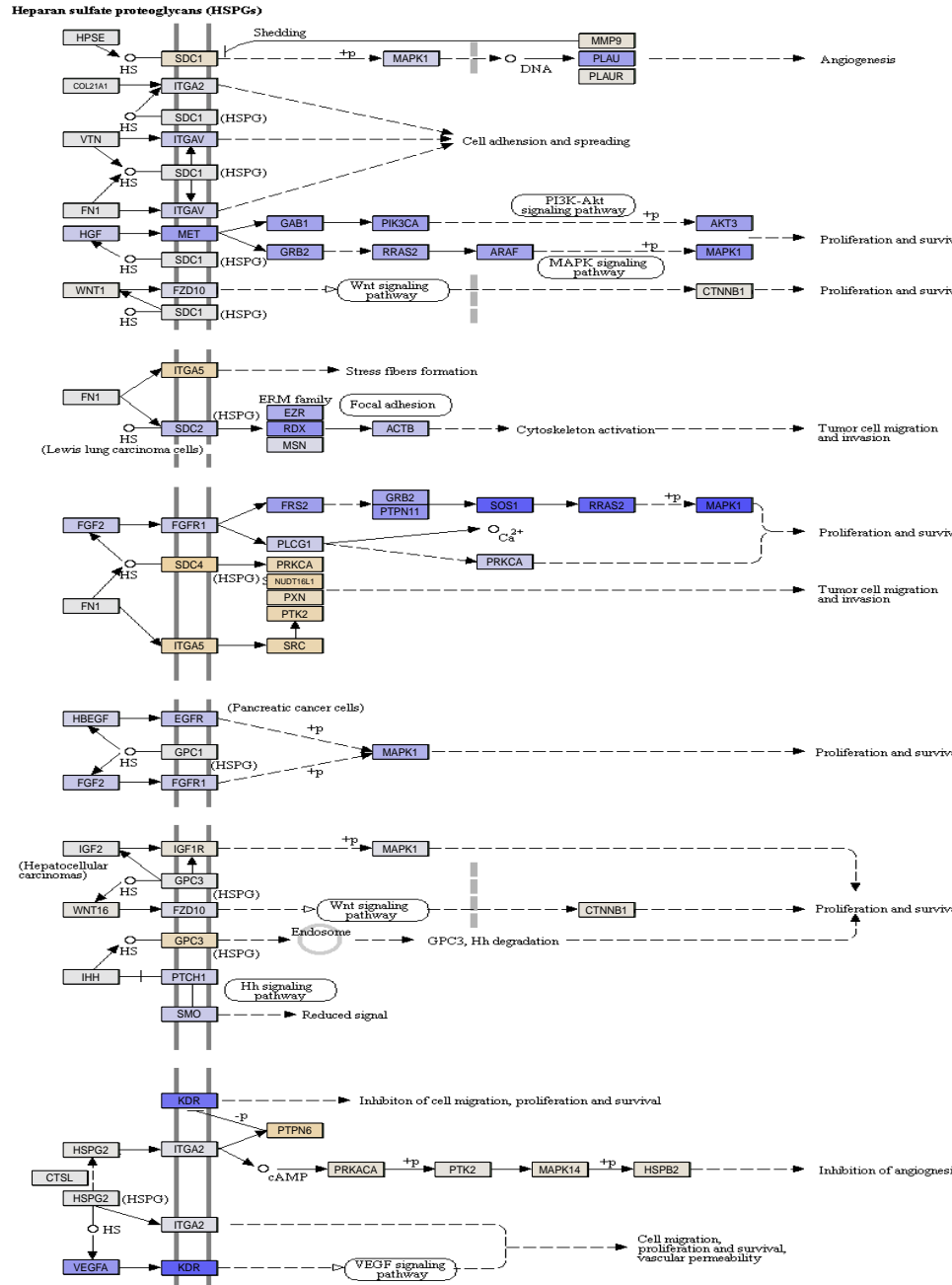
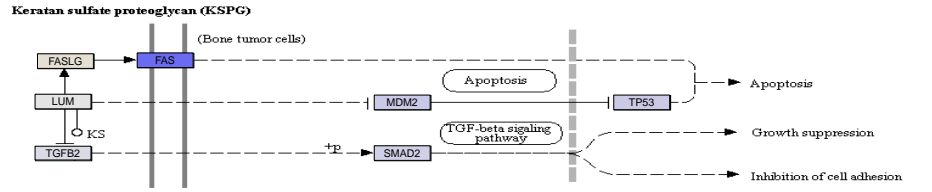
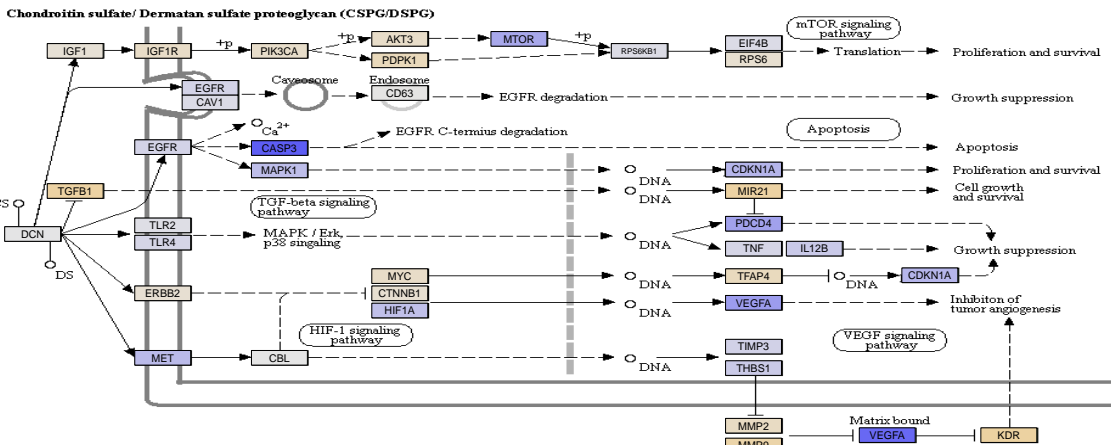
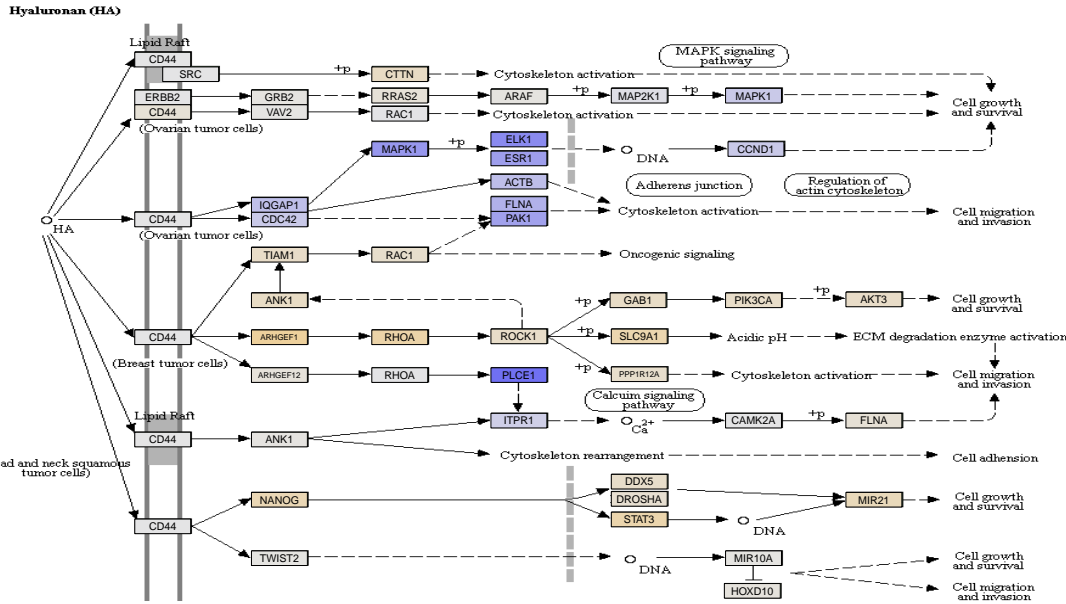


Proteoglycans\_in\_cancer\_group 5

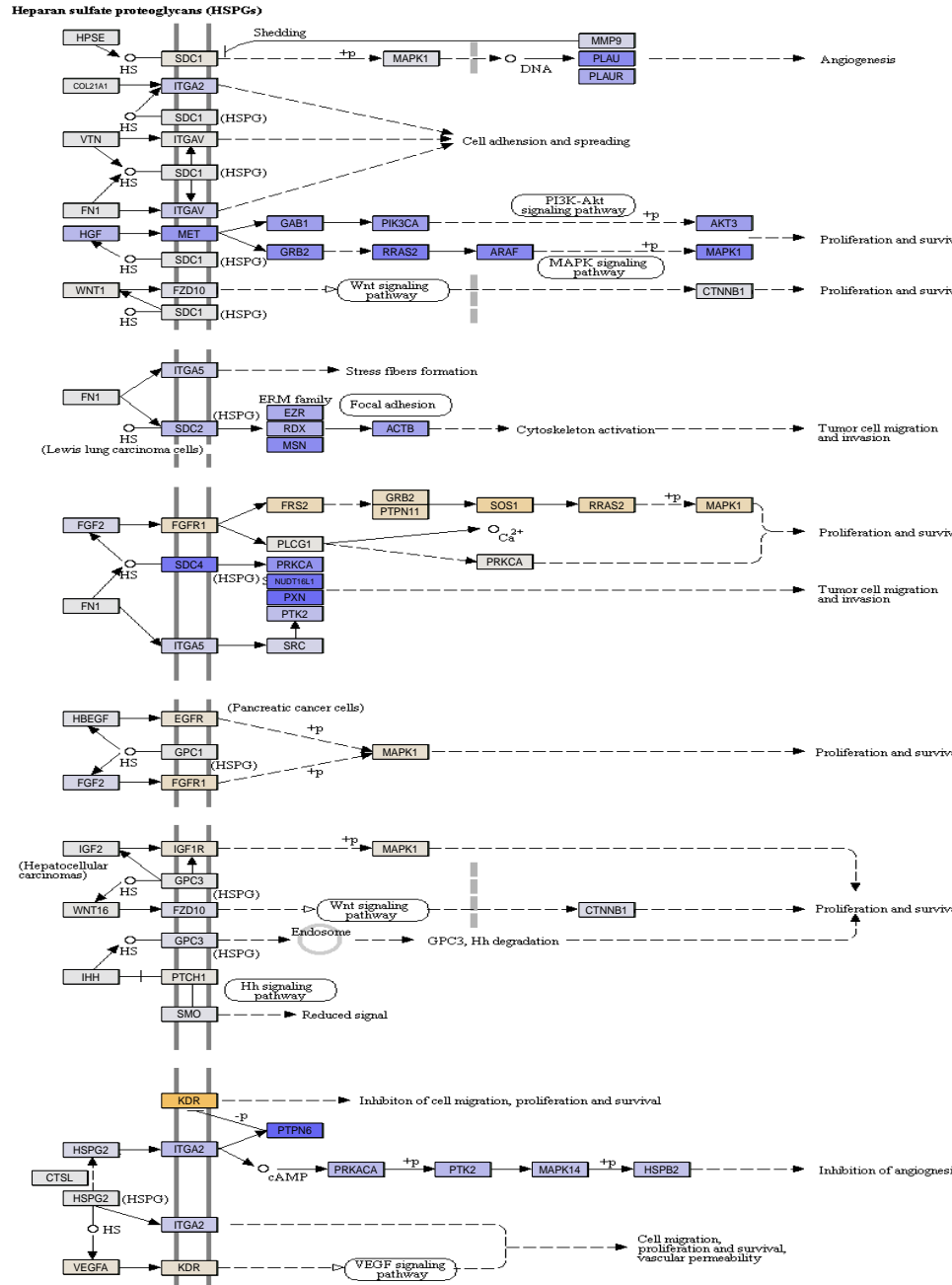
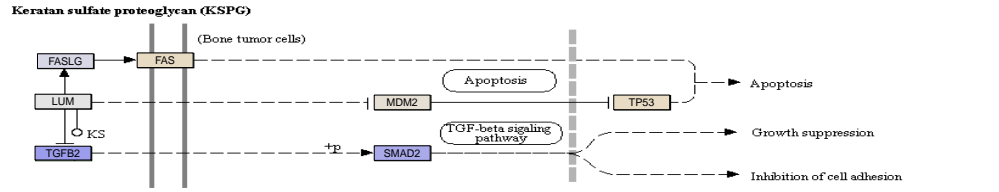
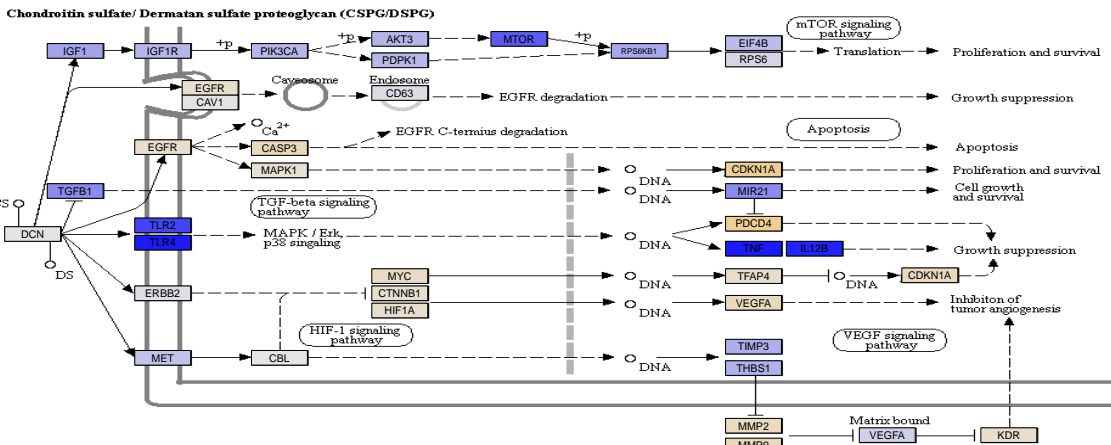
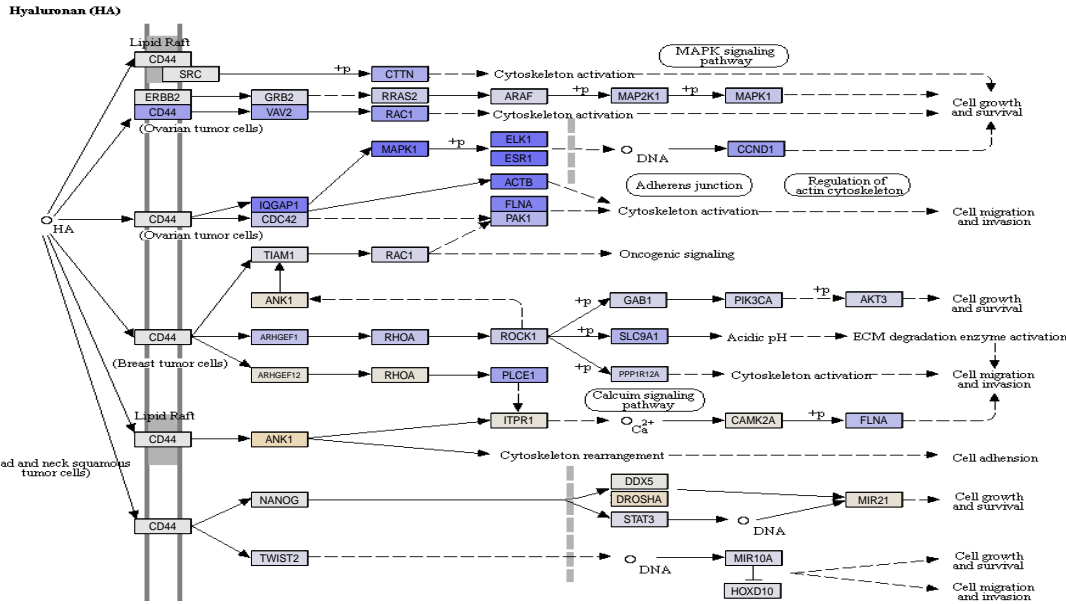




Proteoglycans\_in\_cancer\_group 6



Proteoglycans\_in\_cancer\_group 7



Proteoglycans\_in\_cancer\_group 8

