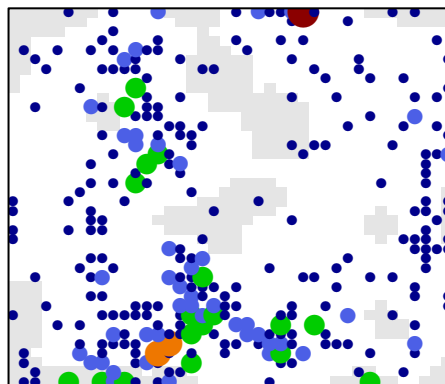


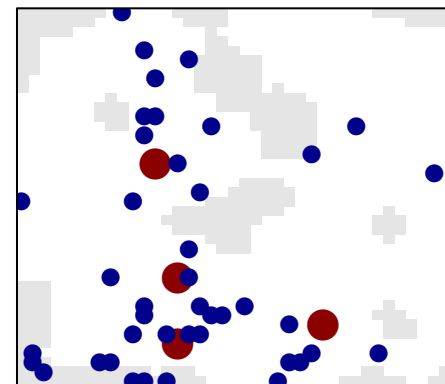
Protein processing in endoplasmic r

all genes

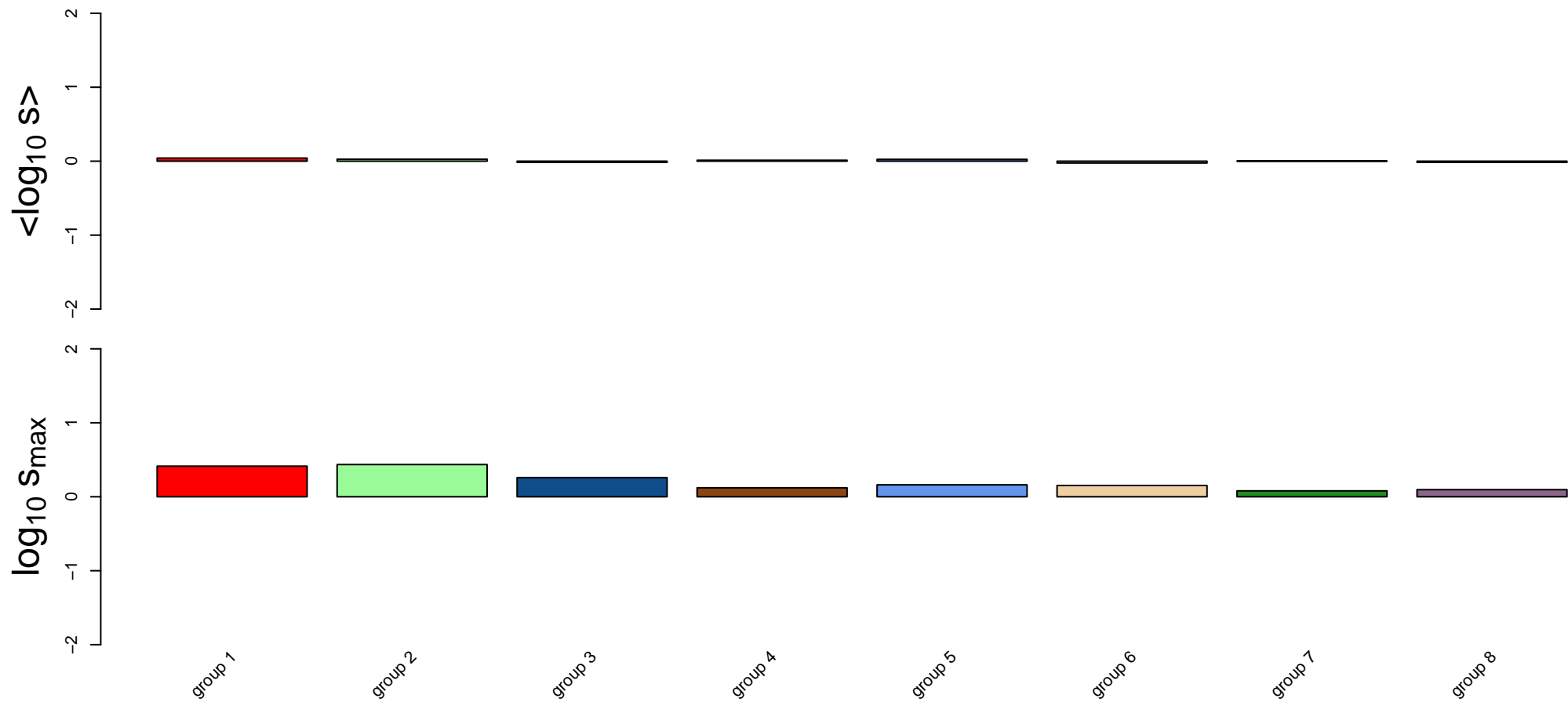


maximum = 5

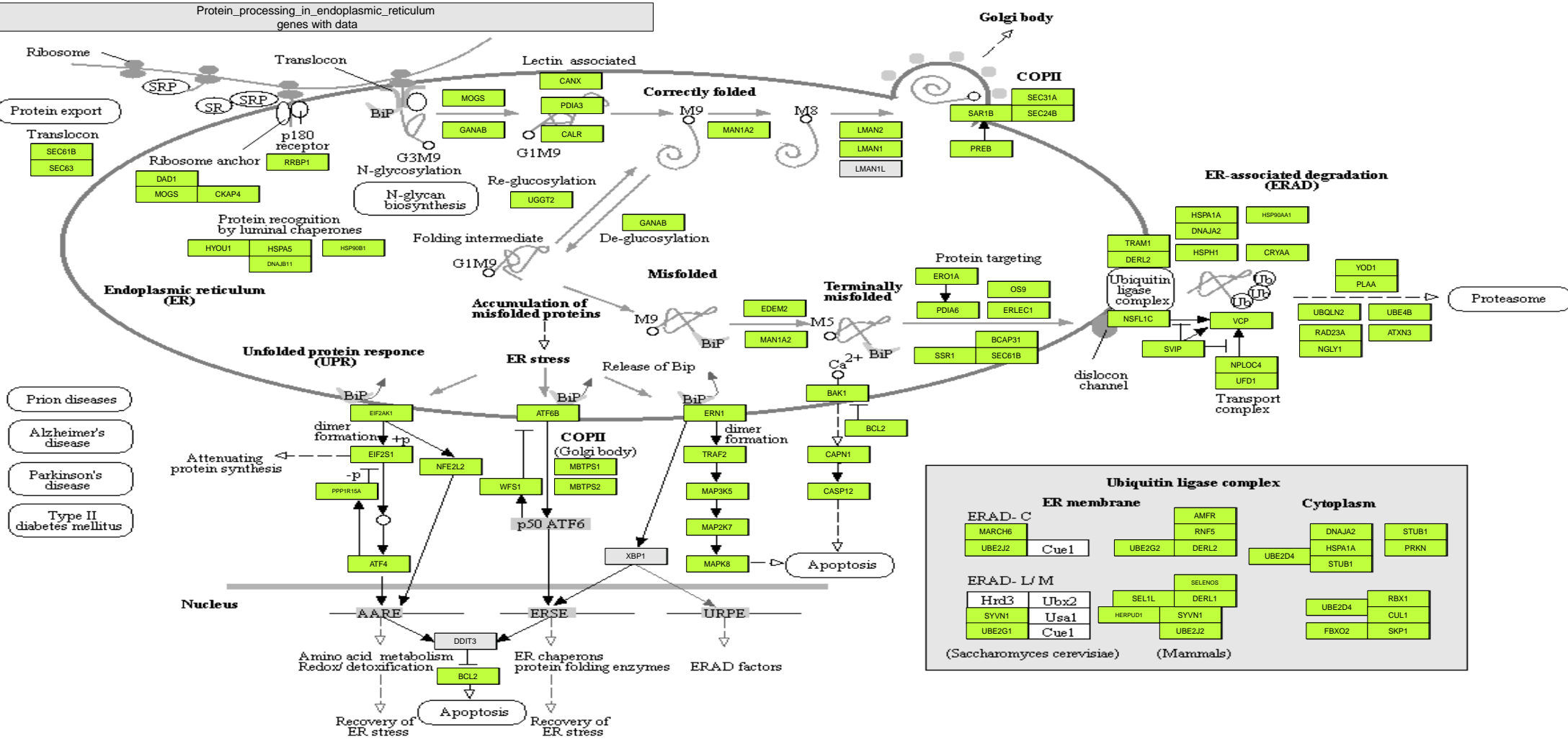
sink node genes

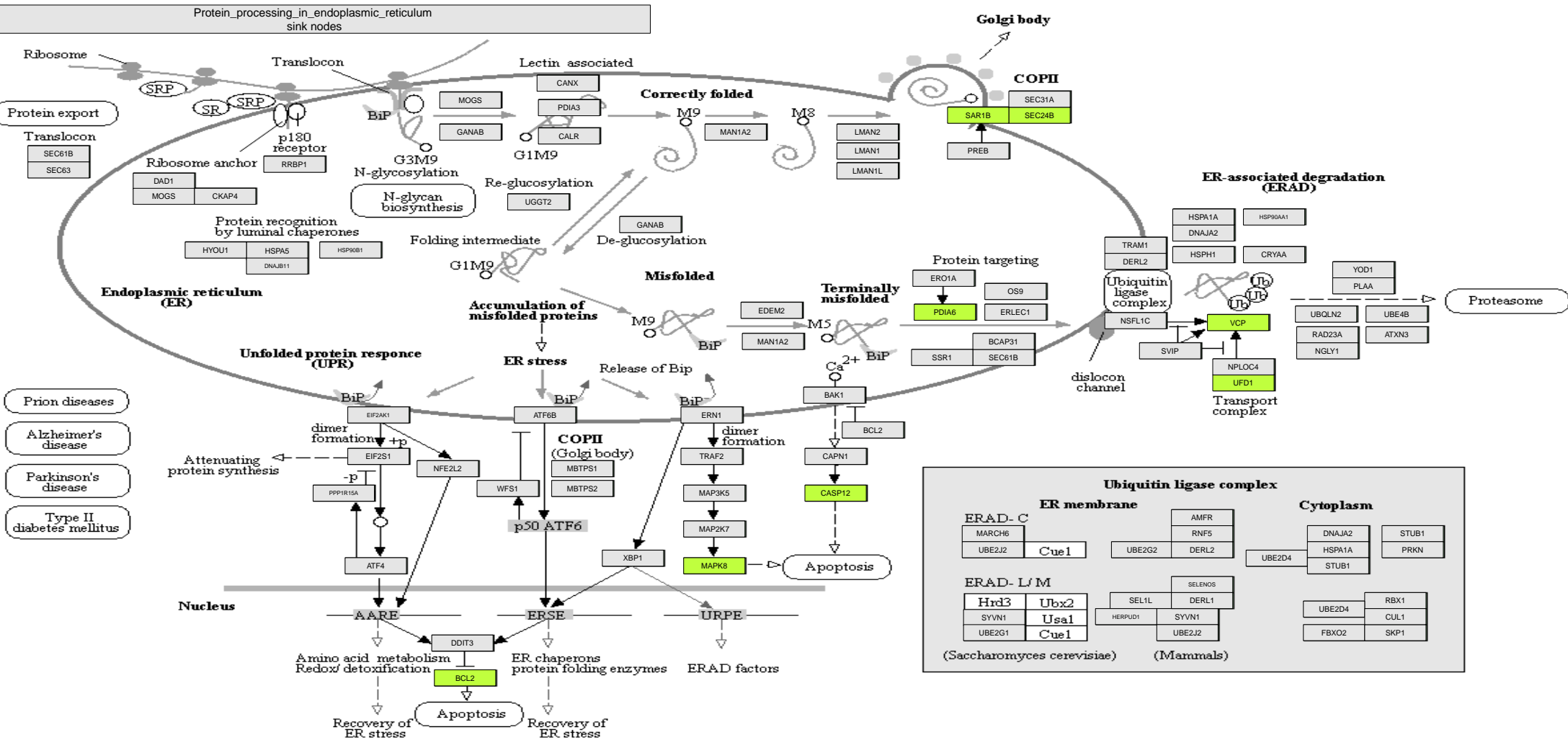


maximum = 2

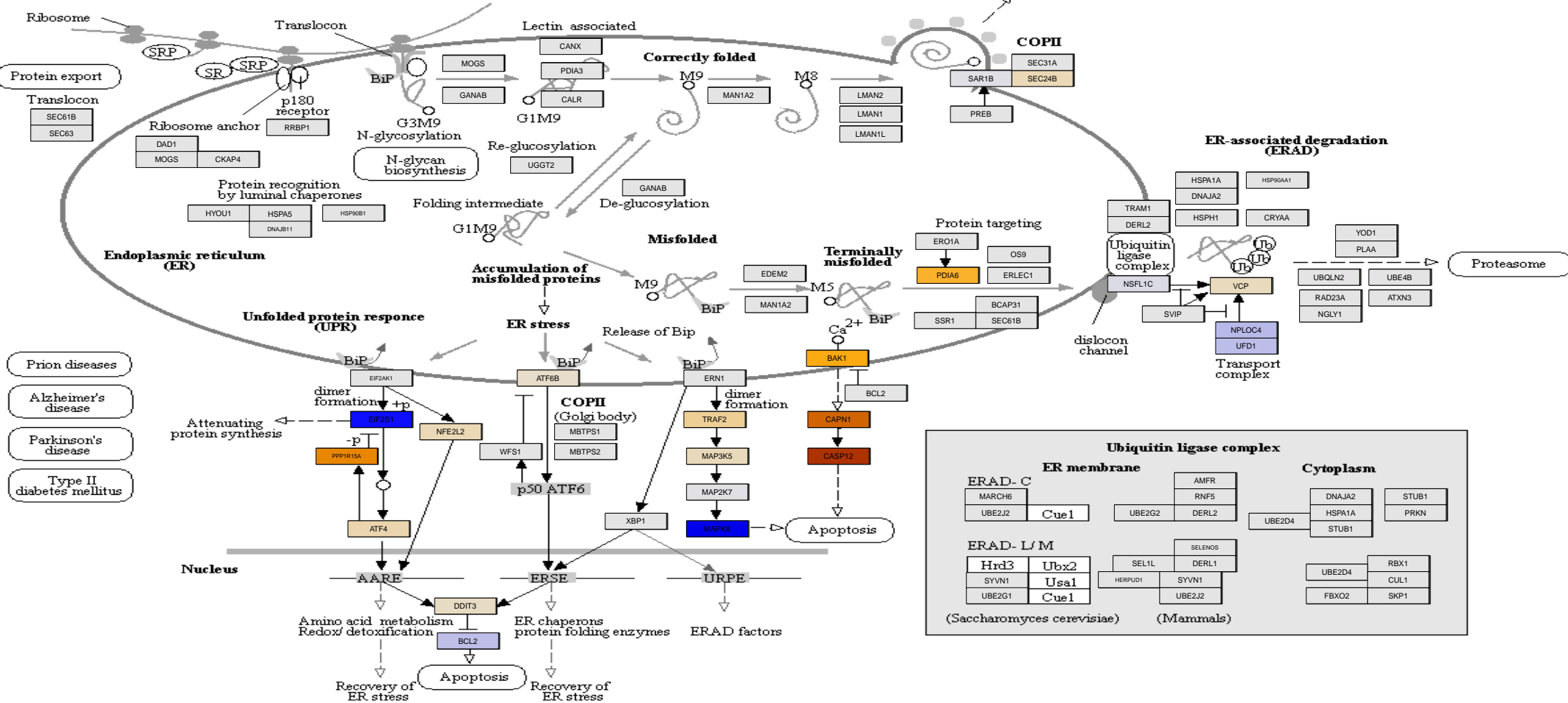


Protein_processing_in_endoplasmic_reticulum
genes with data





Protein_processing_in_endoplasmic_reticulum_group 1

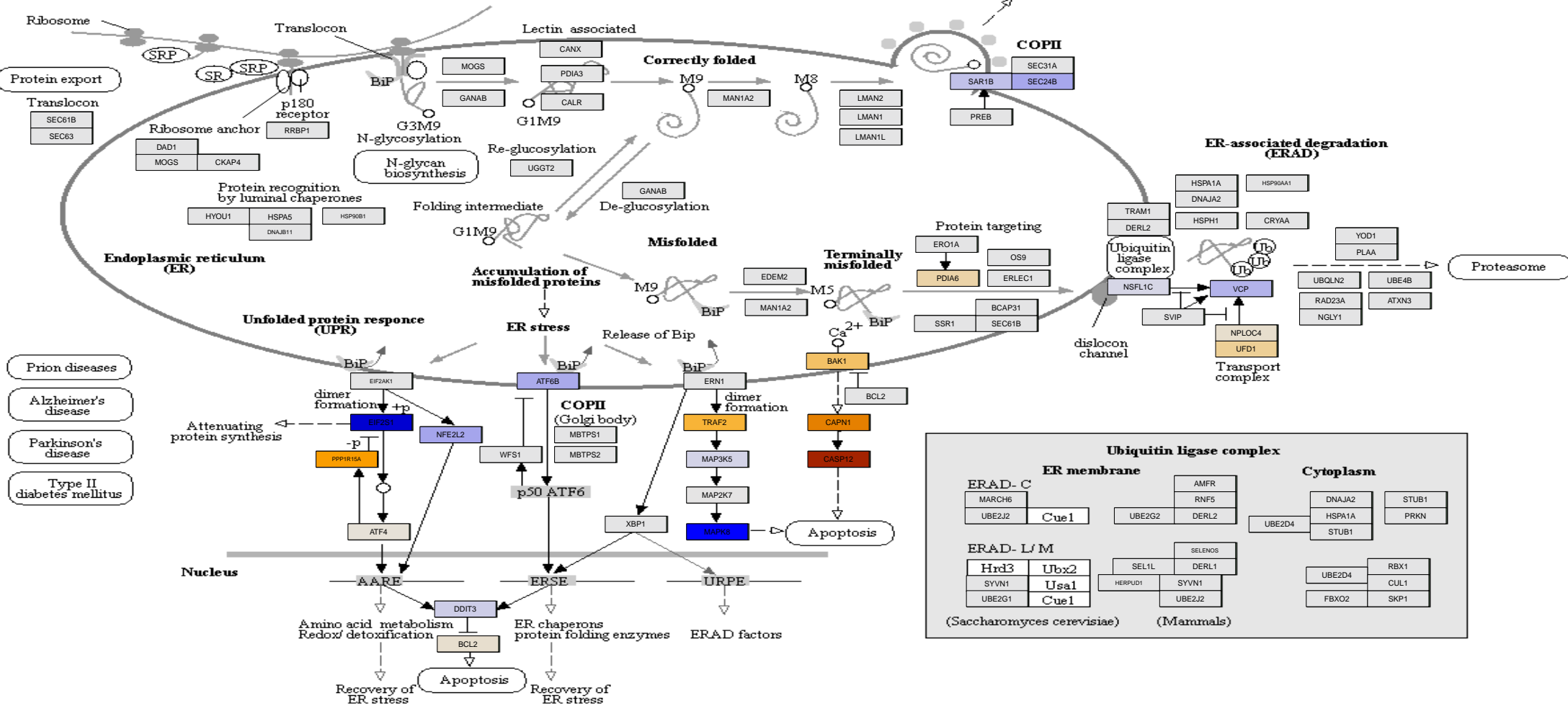


Ubiquitin ligase complex

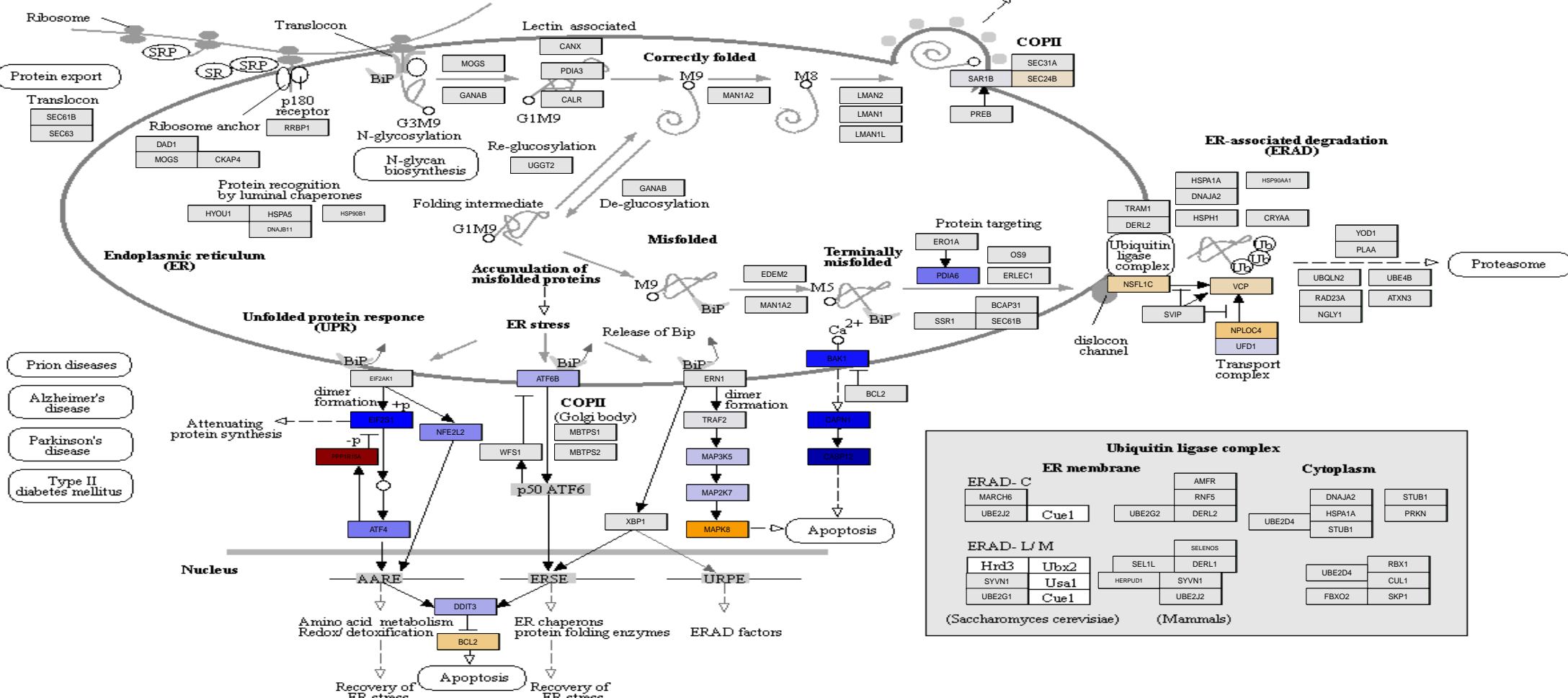
ERAD- C		ERAD- L/ M		Cytoplasm	
MARCH6	Cue1	Hrd3	Ubx2	UBE2D4	STUB1
UBE2J2		SYVN1	Usa1	UBE2D4	RBX1
		UBE2G1	Cue1	FBXO2	CUL1
					SKP1

(Saccharomyces cerevisiae) (Mammals)

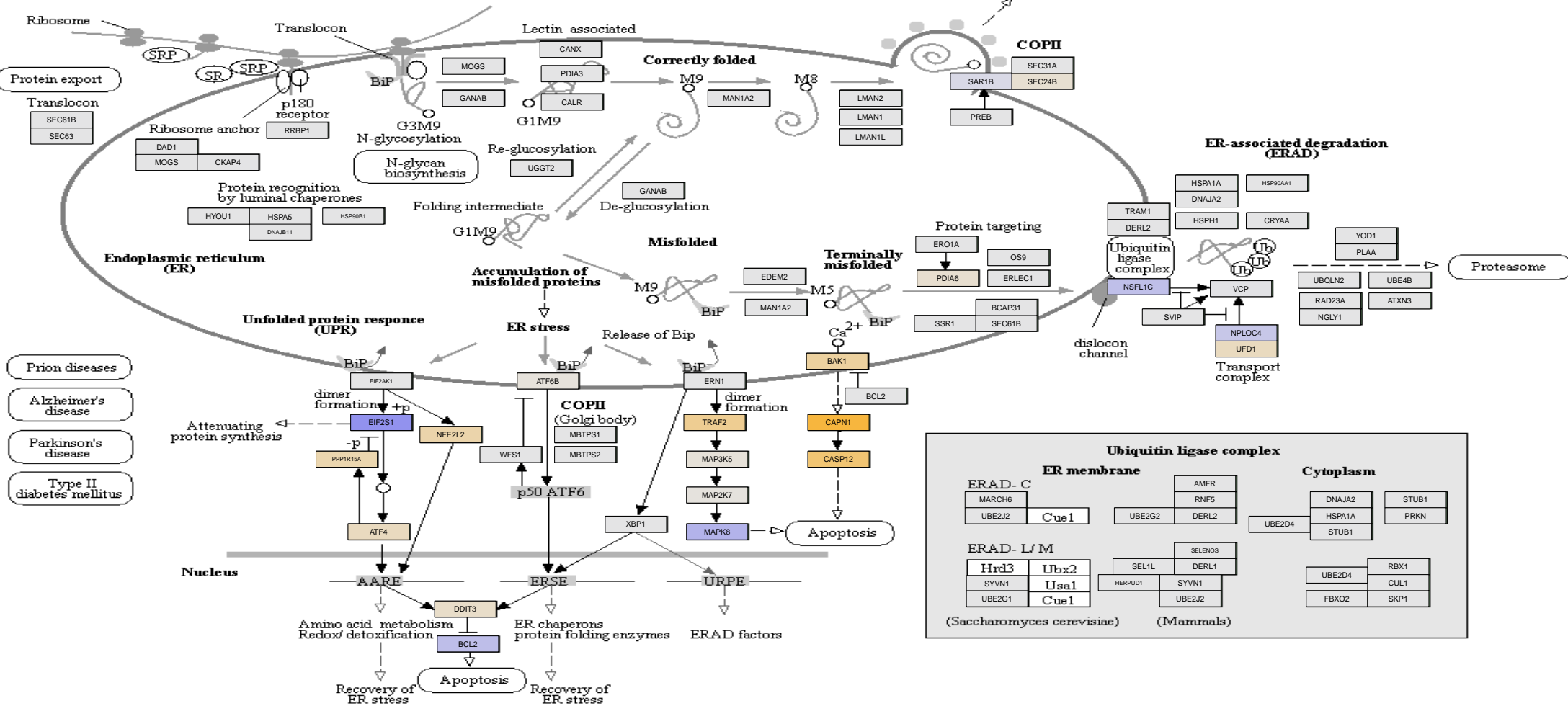
Protein_processing_in_endoplasmic_reticulum_group 2



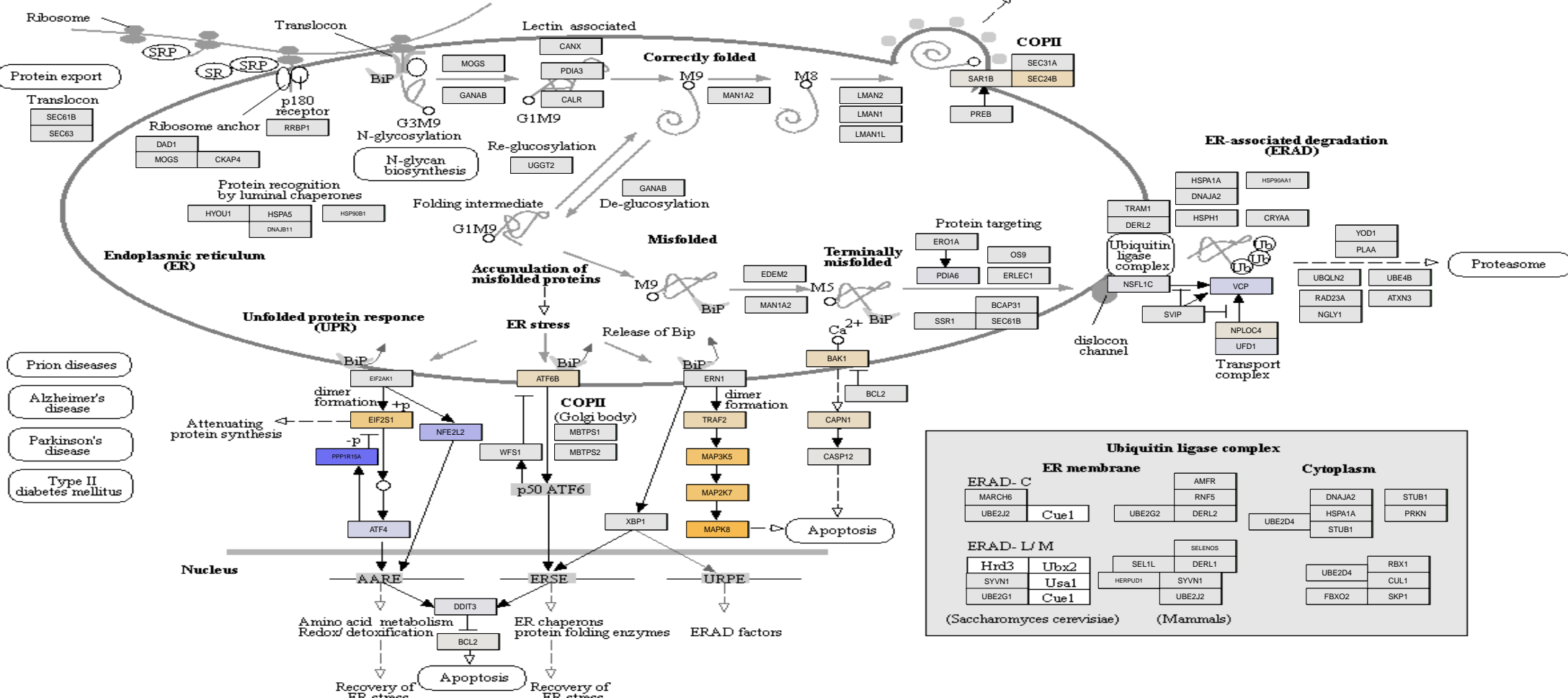
Protein_processing_in_endoplasmic_reticulum_group 3



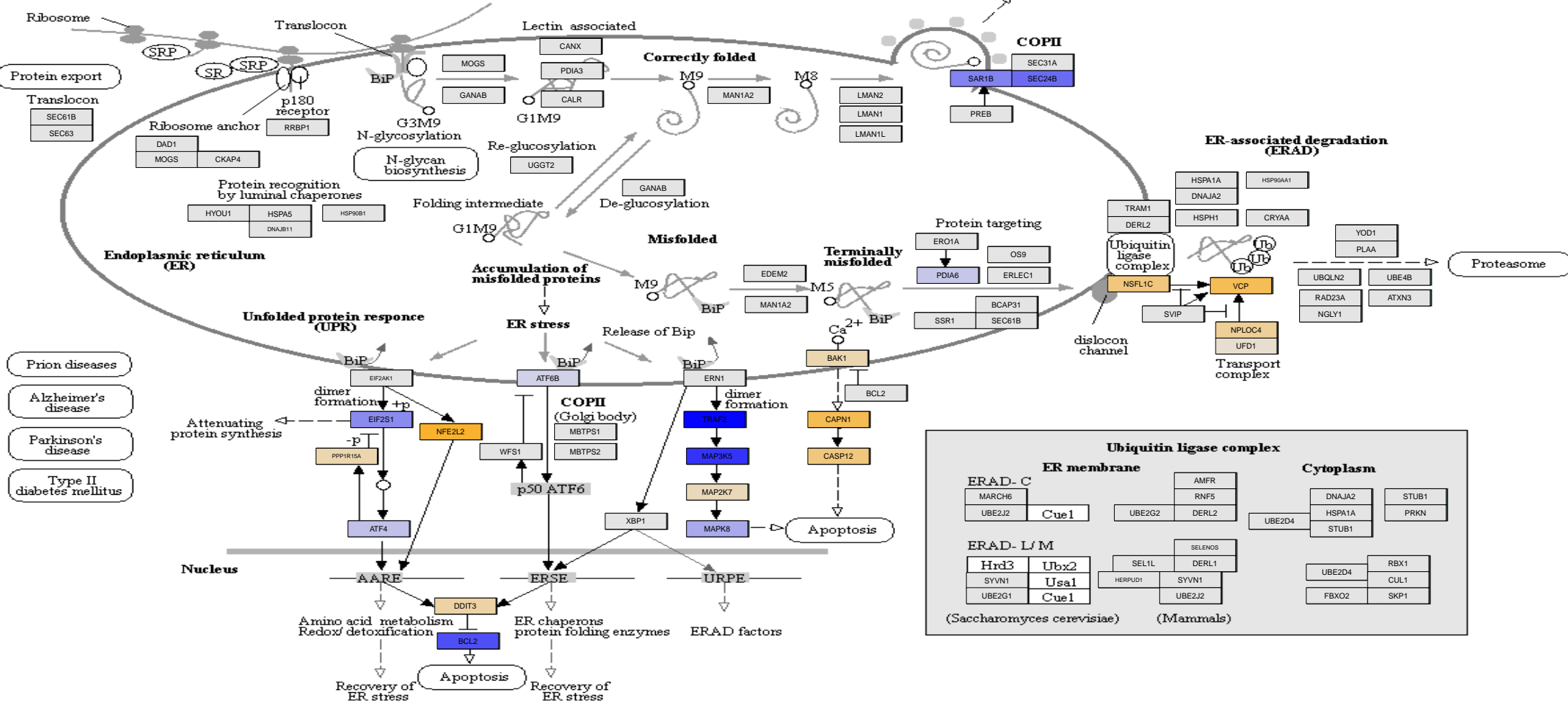
Protein_processing_in_endoplasmic_reticulum_group 4



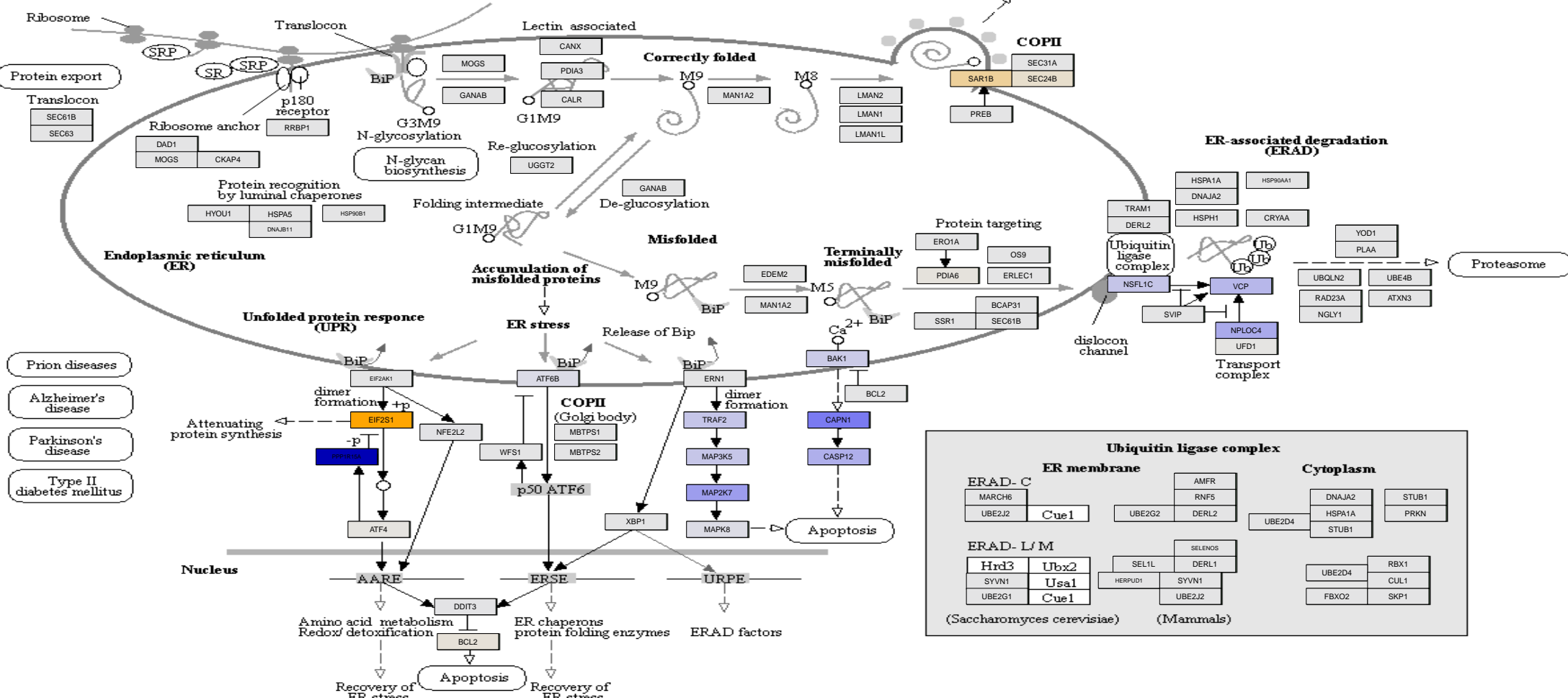
Protein_processing_in_endoplasmic_reticulum group 5



Protein_processing_in_endoplasmic_reticulum_group 6



Protein_processing_in_endoplasmic_reticulum group 7



Protein_processing_in_endoplasmic_reticulum_group 8

