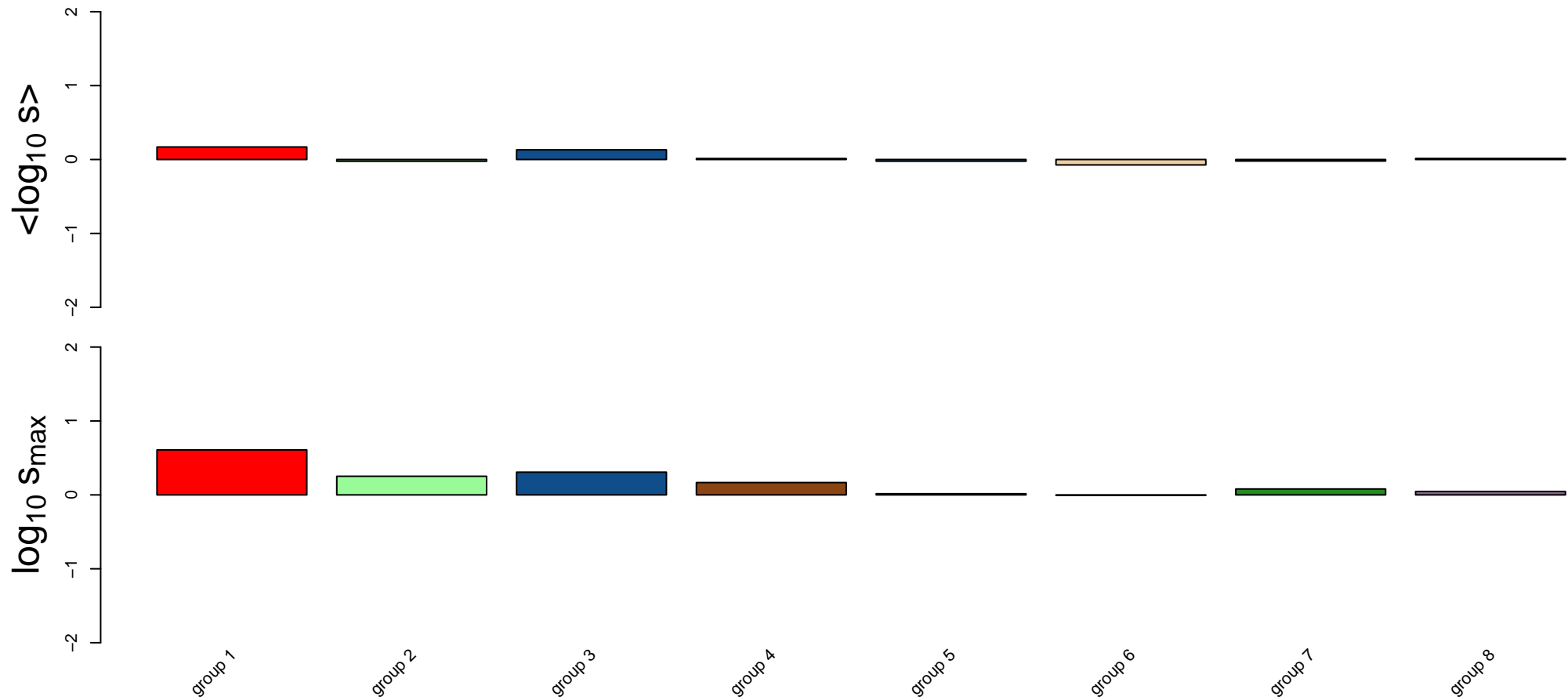
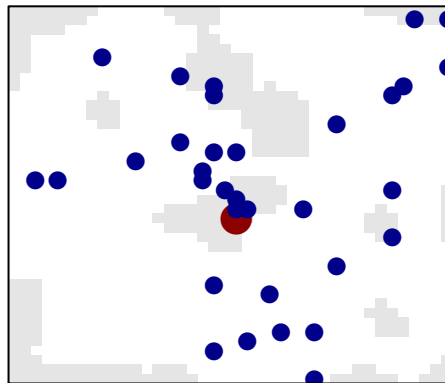
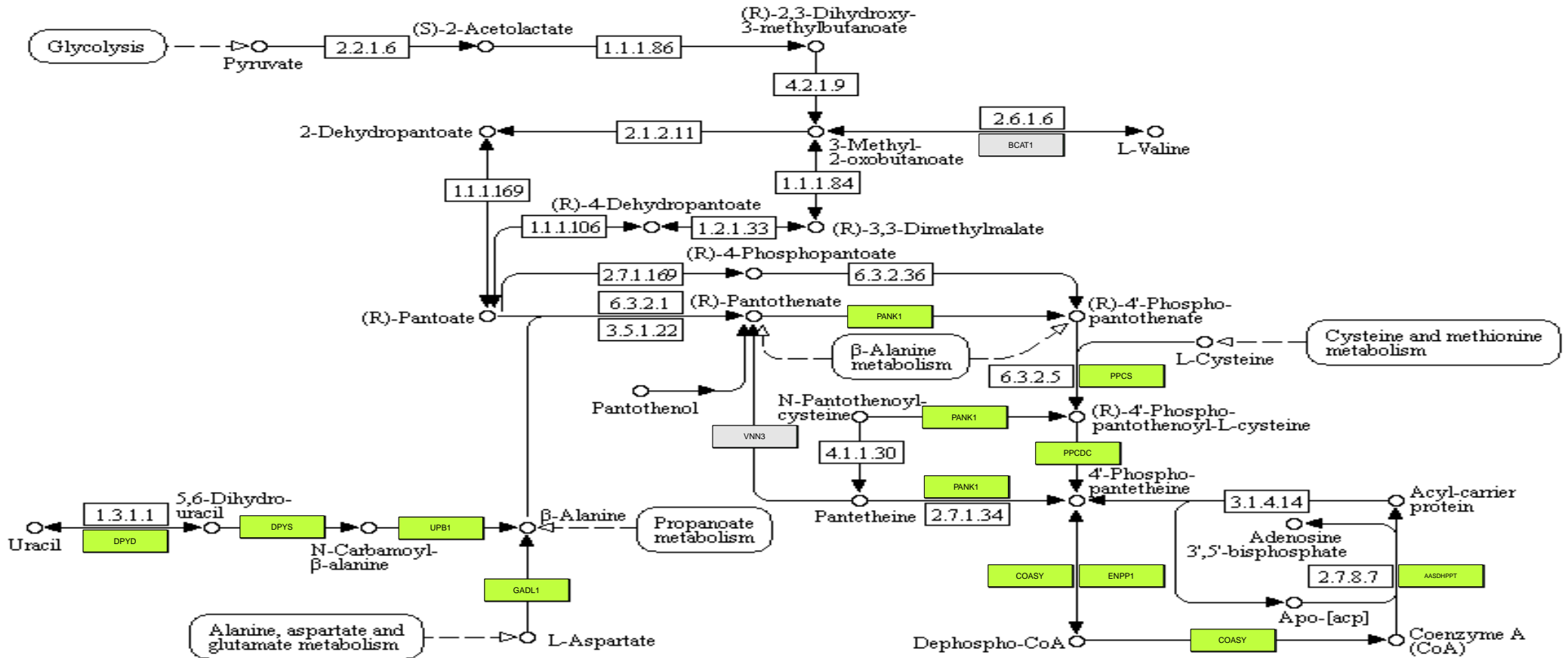


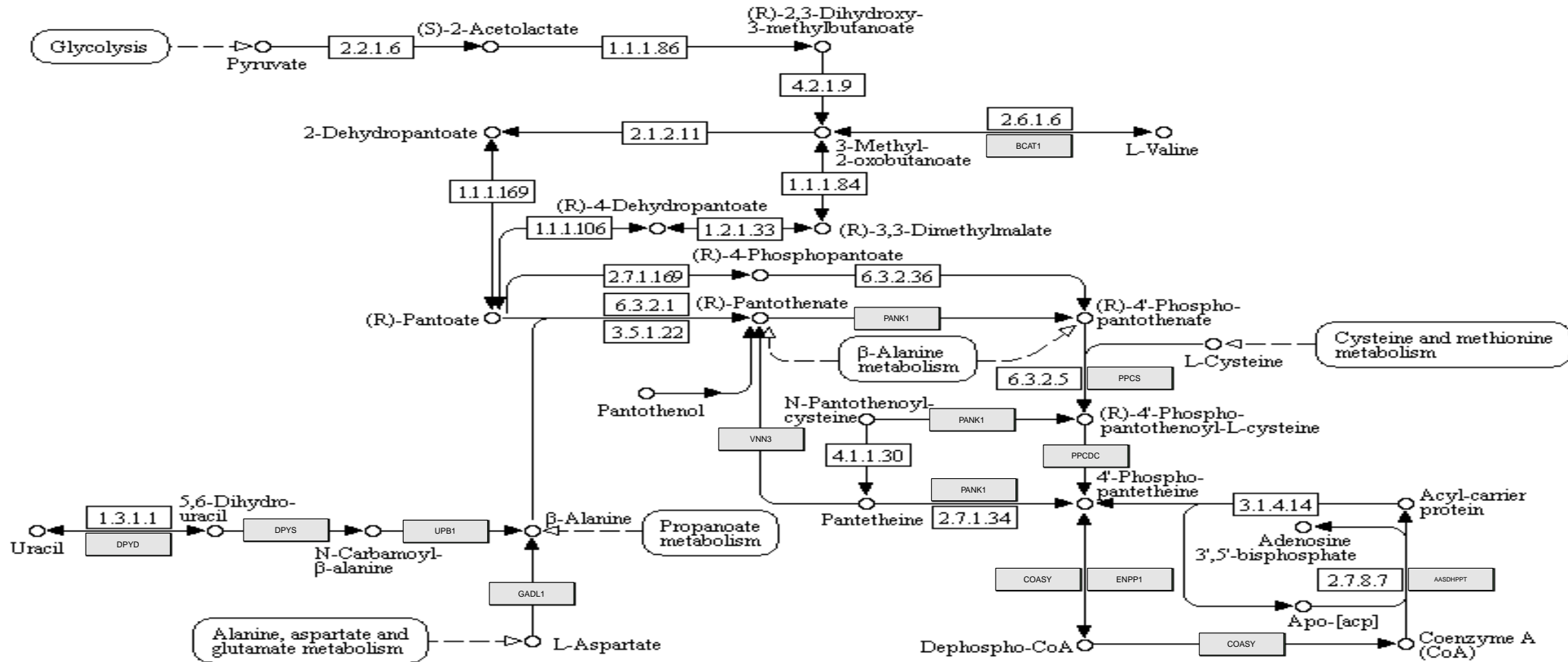
# Pantothenate and CoA biosynthesis

all genes

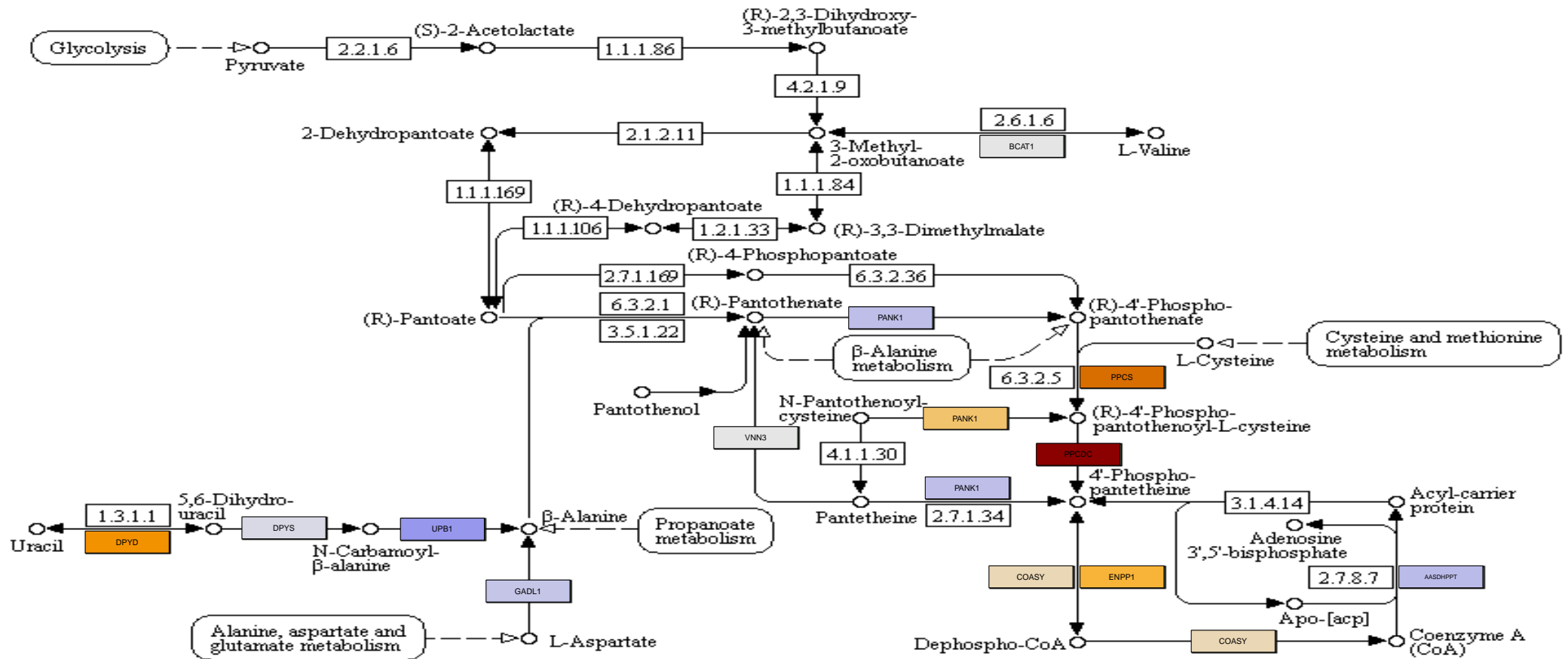




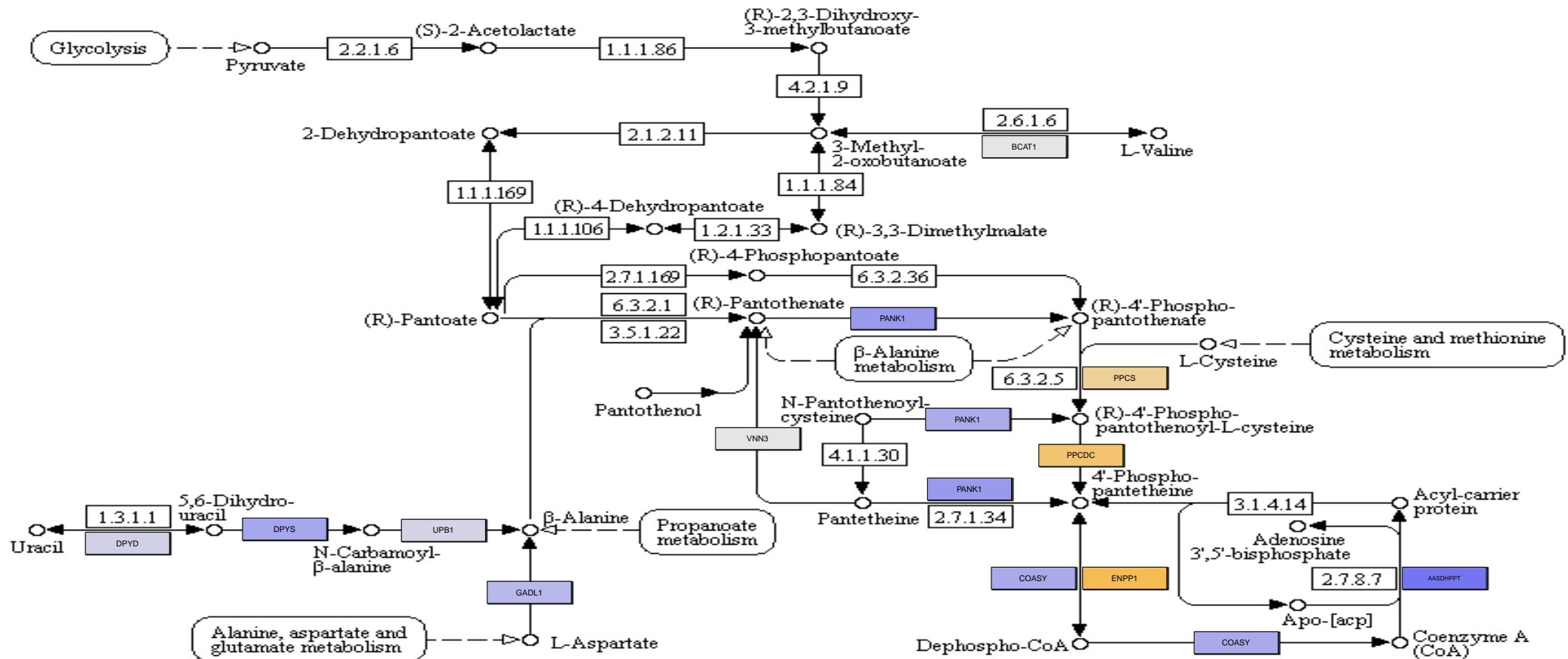
Pantothenate\_and\_CoA\_biosynthesis  
sink nodes



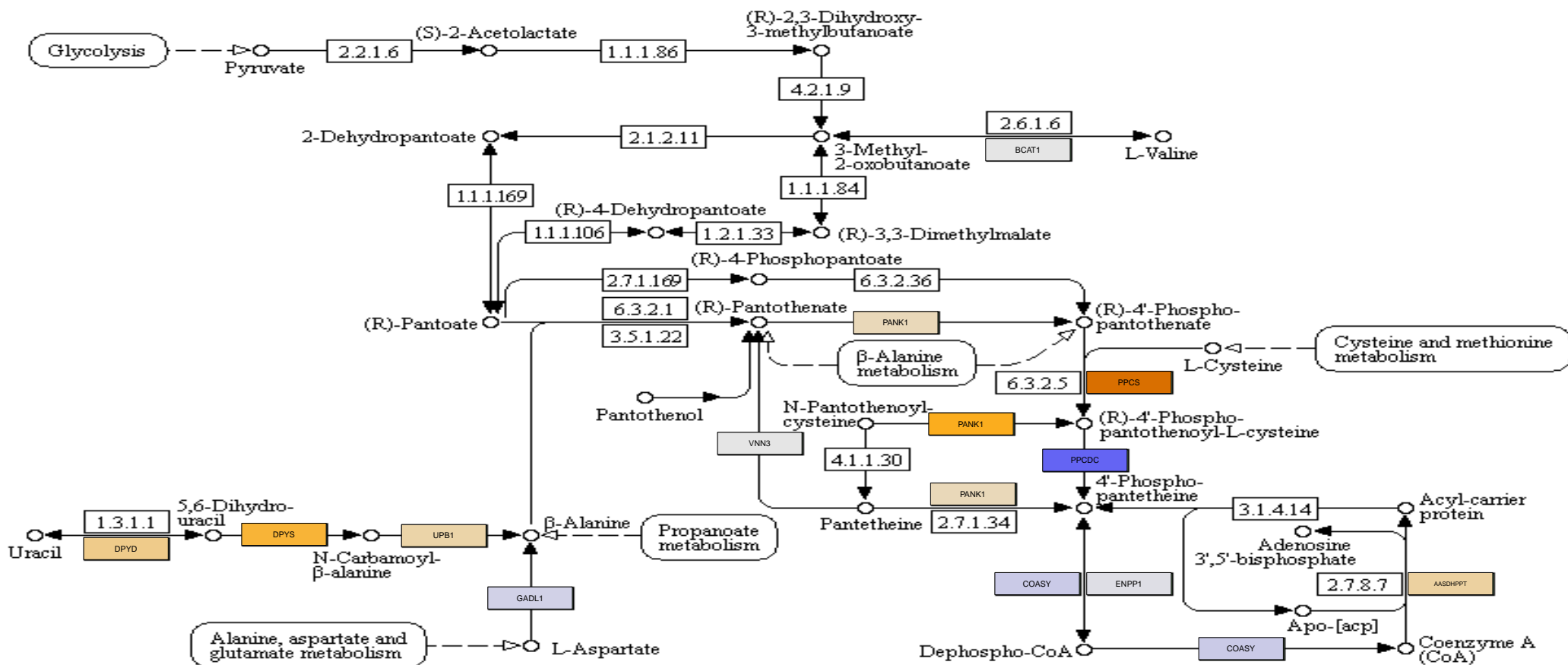
Pantothenate\_and\_CoA\_biosynthesis group 1



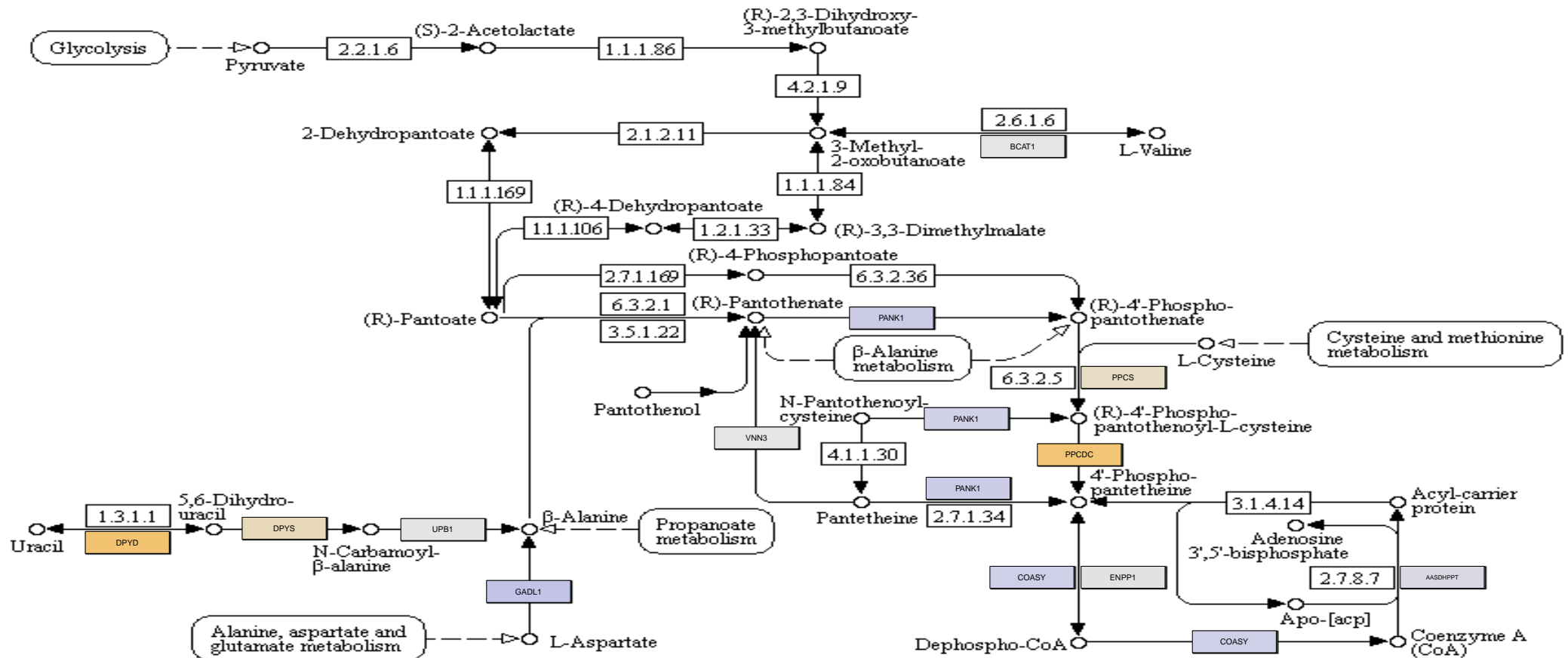
Pantothenate\_and\_CoA\_biosynthesis  
group 2



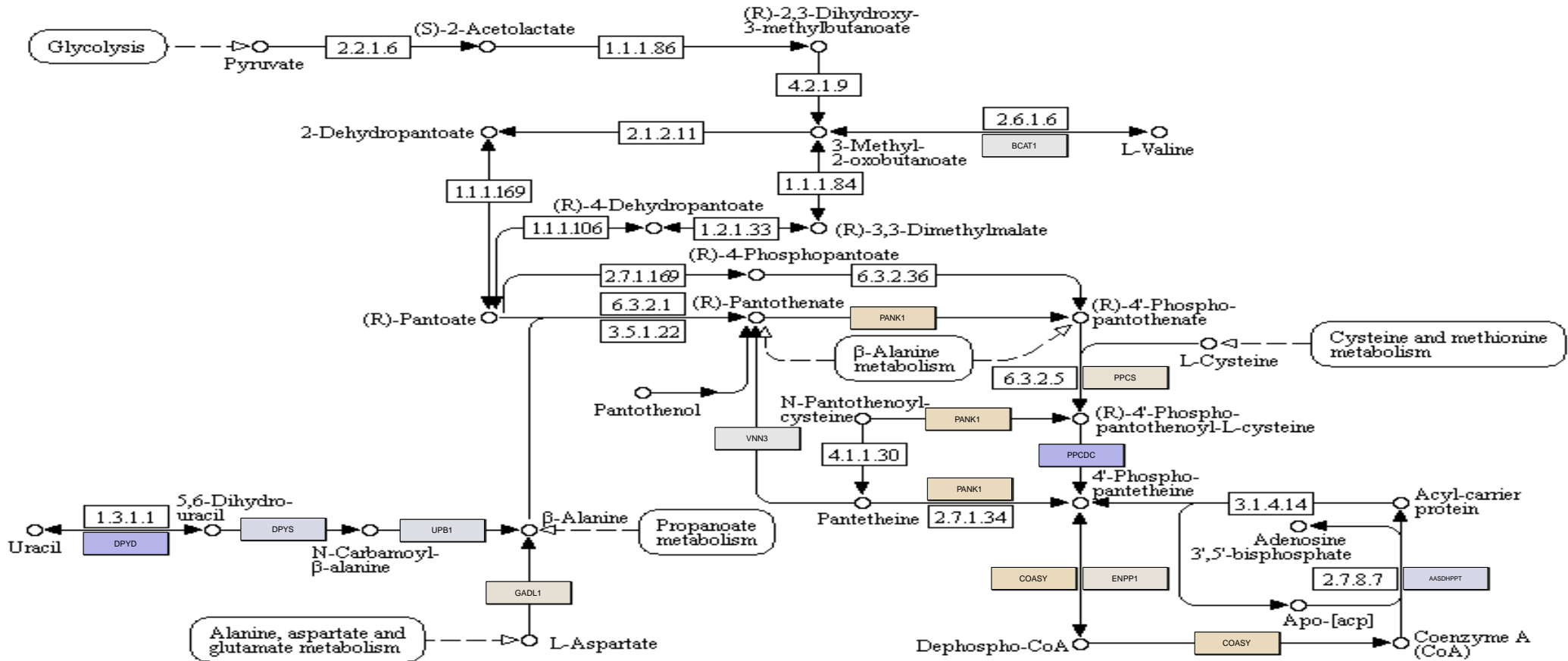
Pantothenate\_and\_CoA\_biosynthesis  
group 3



Pantothenate\_and\_CoA\_biosynthesis  
group 4

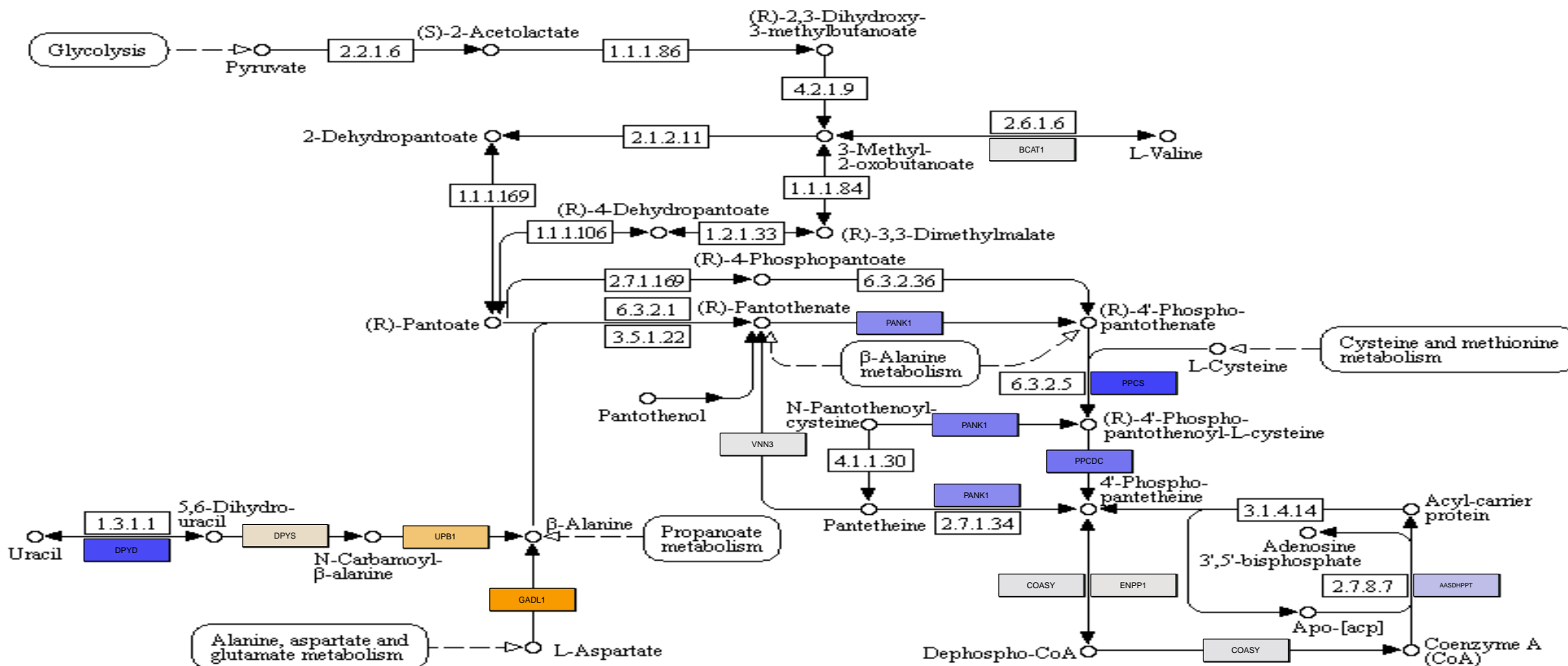


Pantothenate\_and\_CoA\_biosynthesis  
group 5

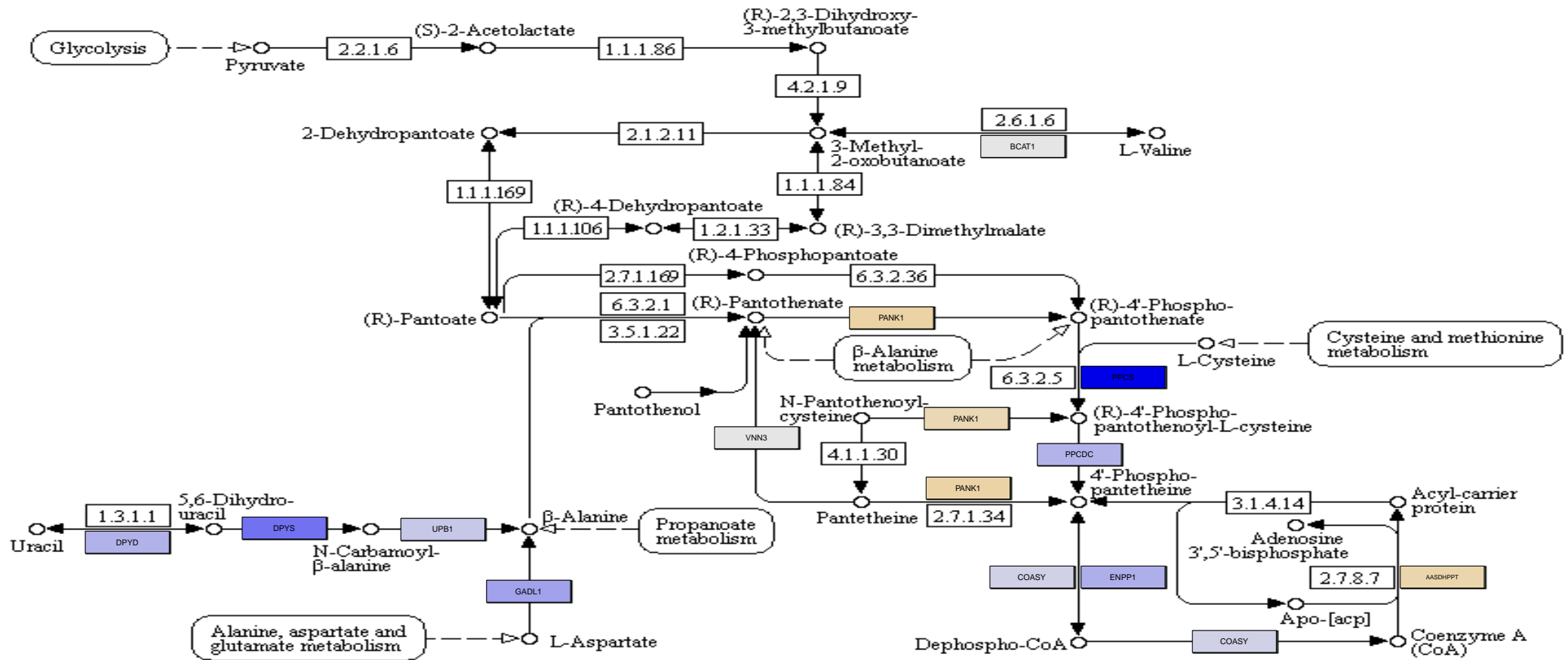




Pantothenate\_and\_CoA\_biosynthesis  
group 6



Pantothenate\_and\_CoA\_biosynthesis  
group 7



Pantothenate\_and\_CoA\_biosynthesis  
group 8

