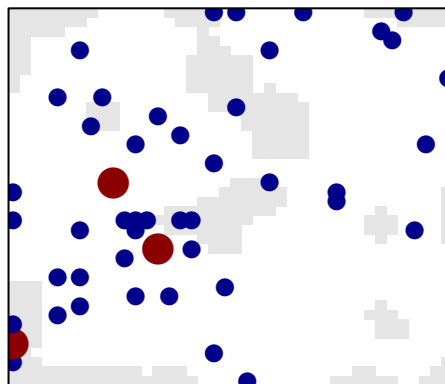
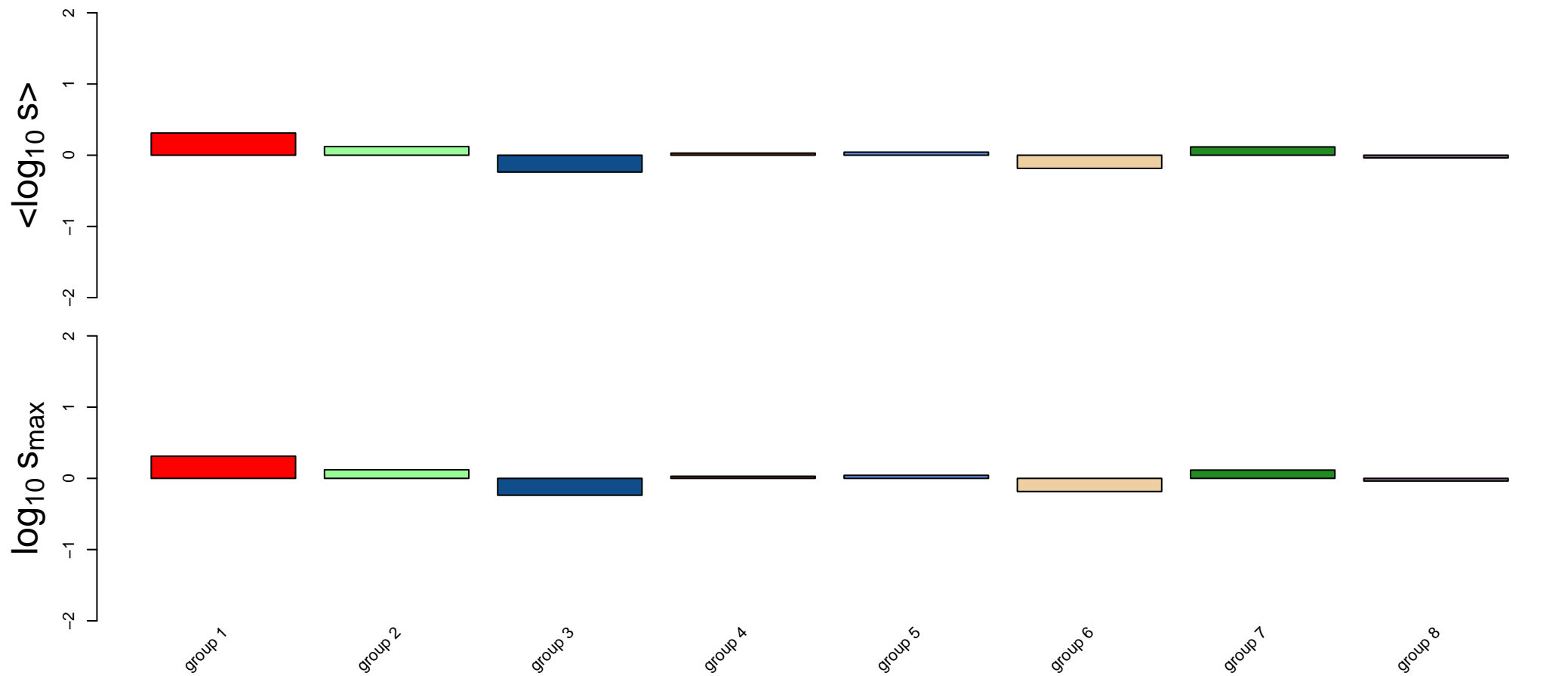


# One carbon pool by folate

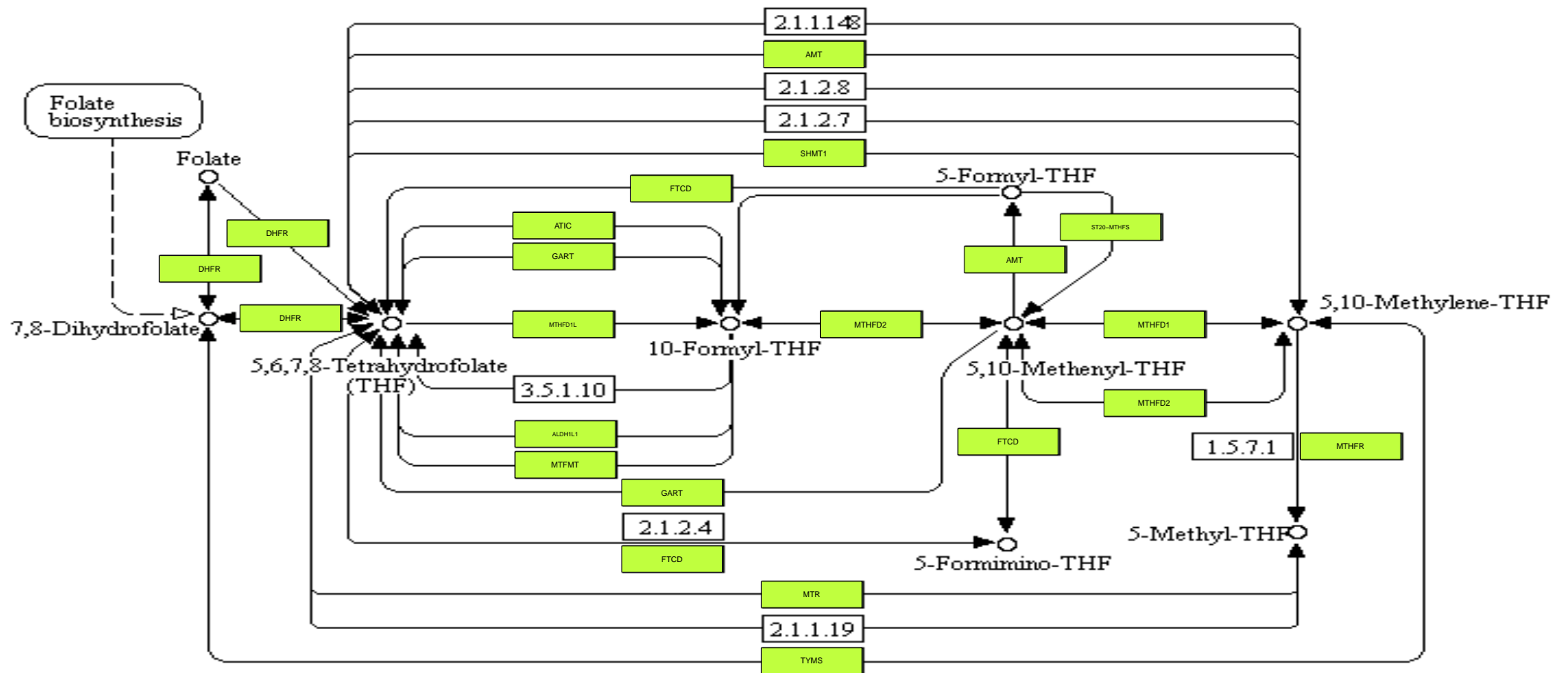
all genes



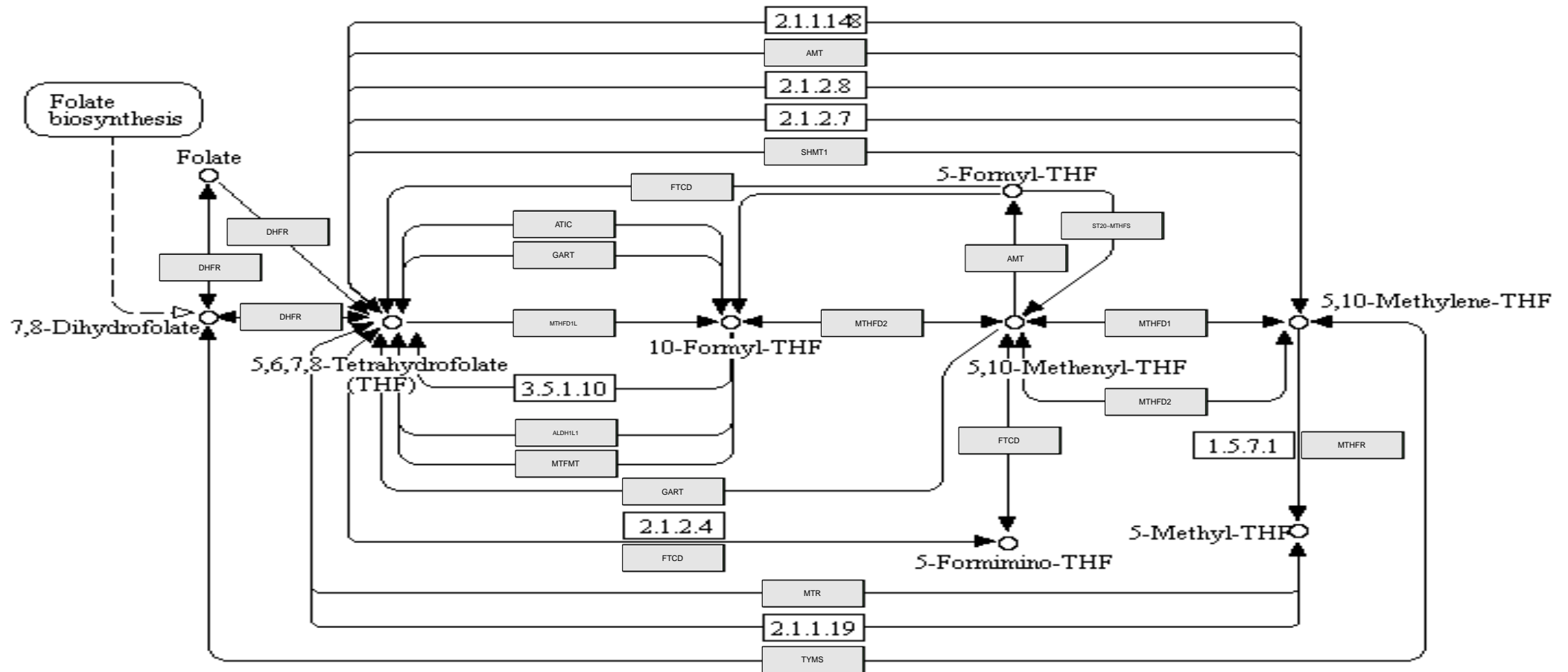
maximum = 2



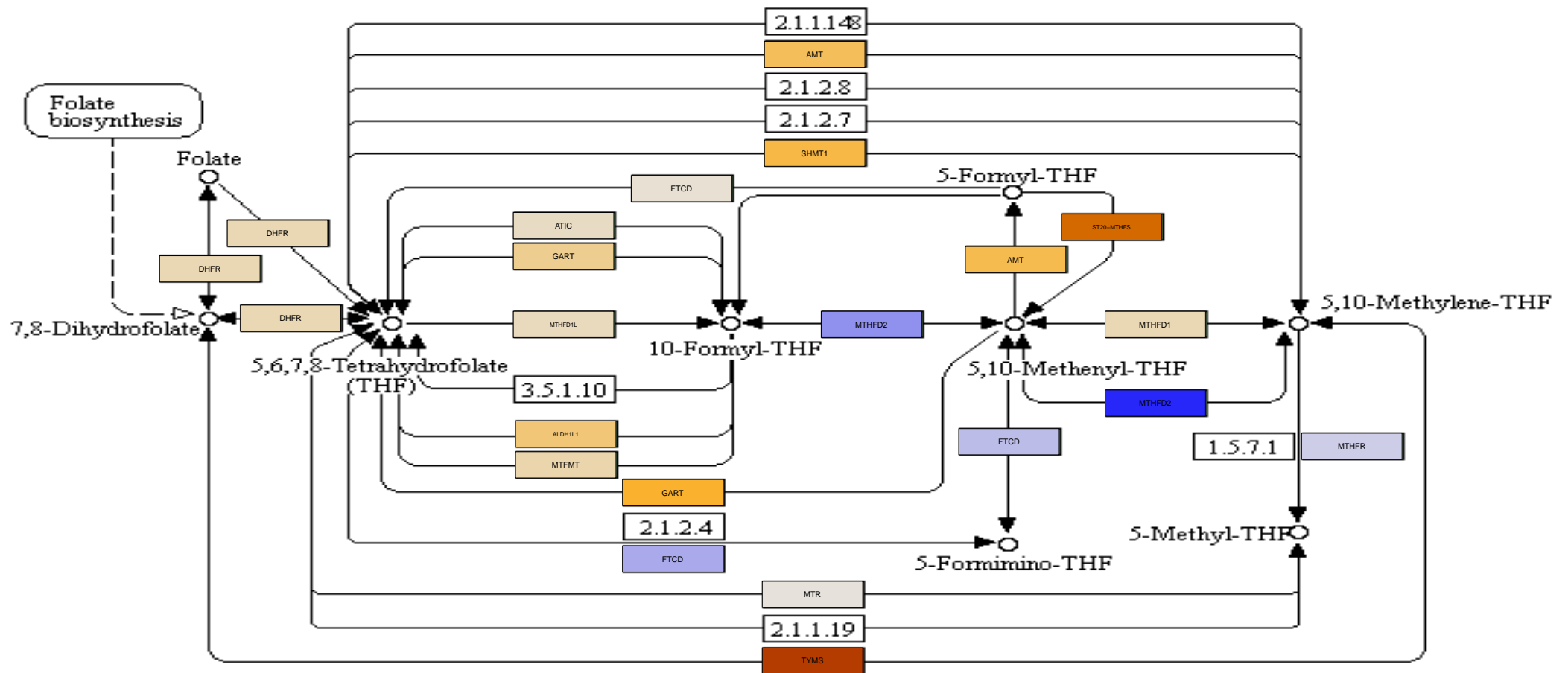
One\_carbon\_pool\_by\_folate  
genes with data



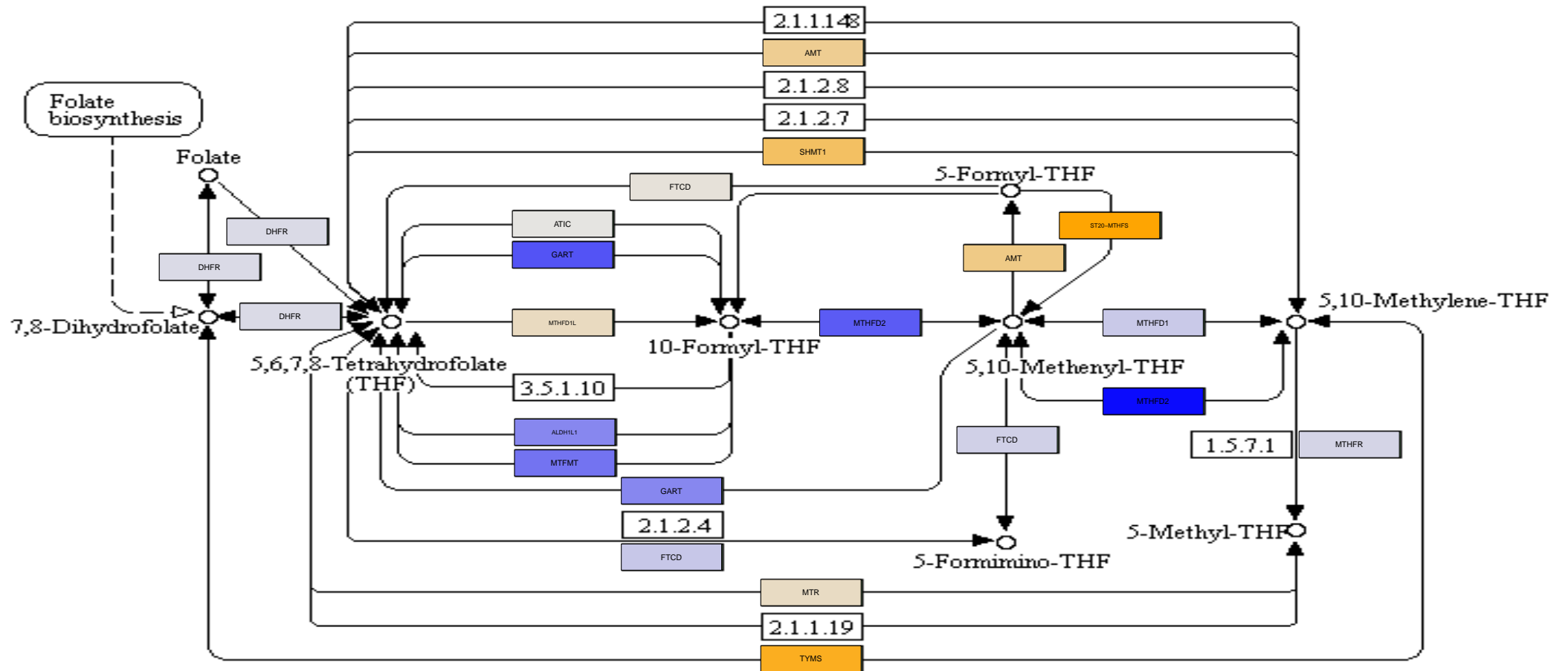
One\_carbon\_pool\_by\_folate  
sink nodes



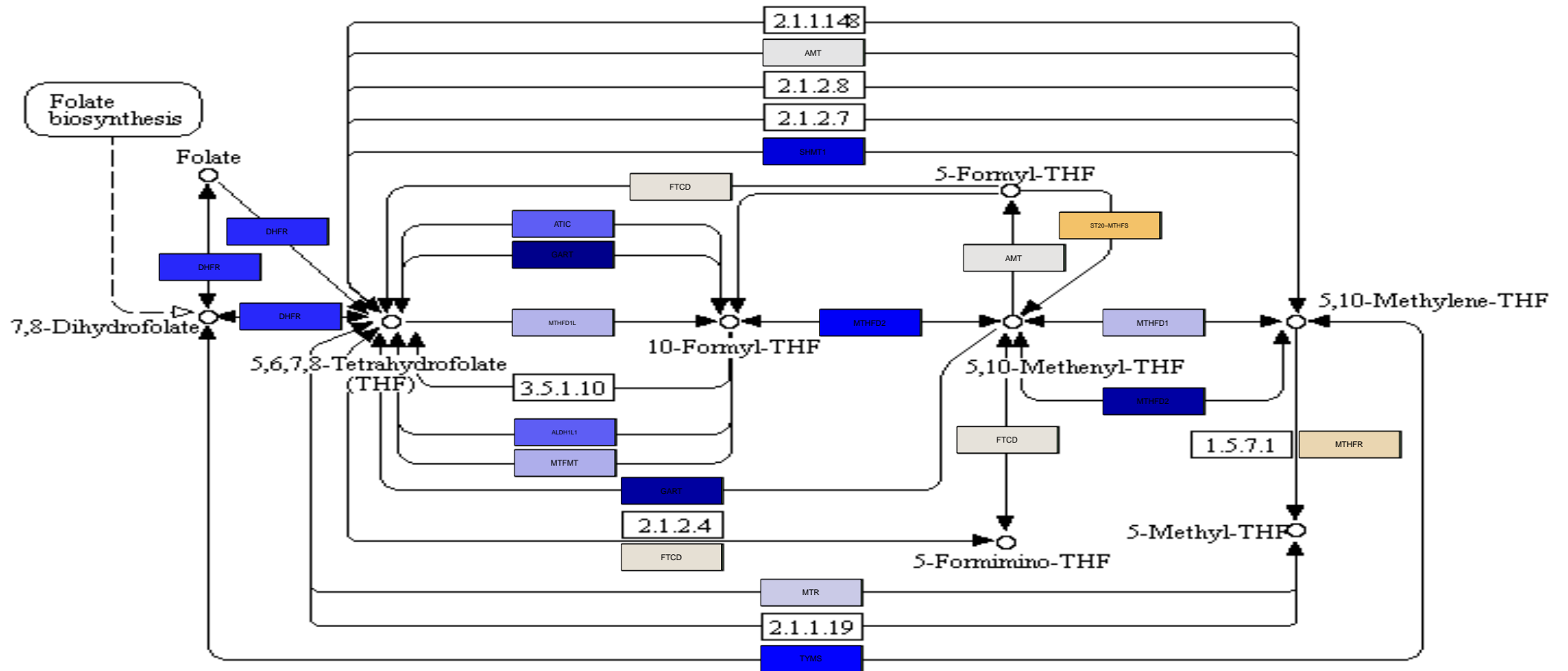
One\_carbon\_pool\_by\_folate\_group 1



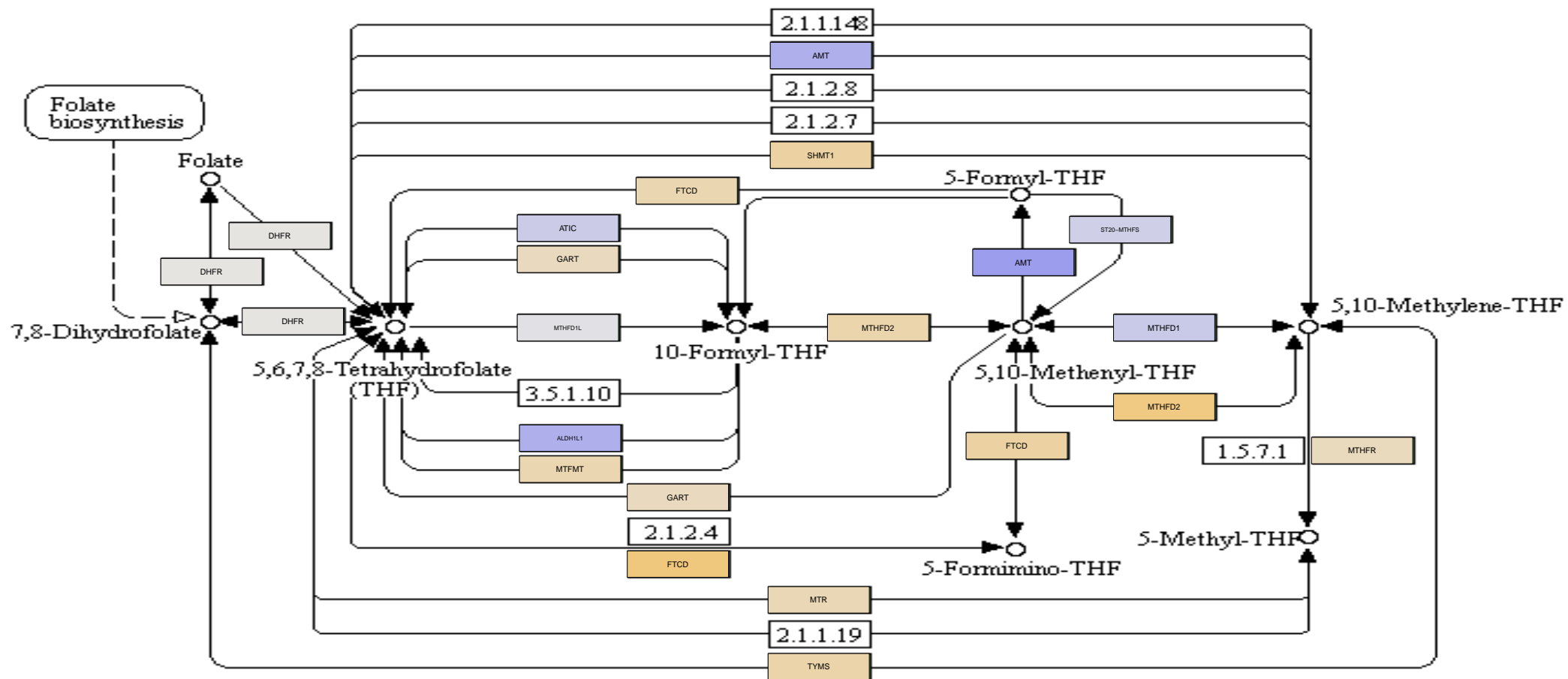
One\_carbon\_pool\_by\_folate\_group 2



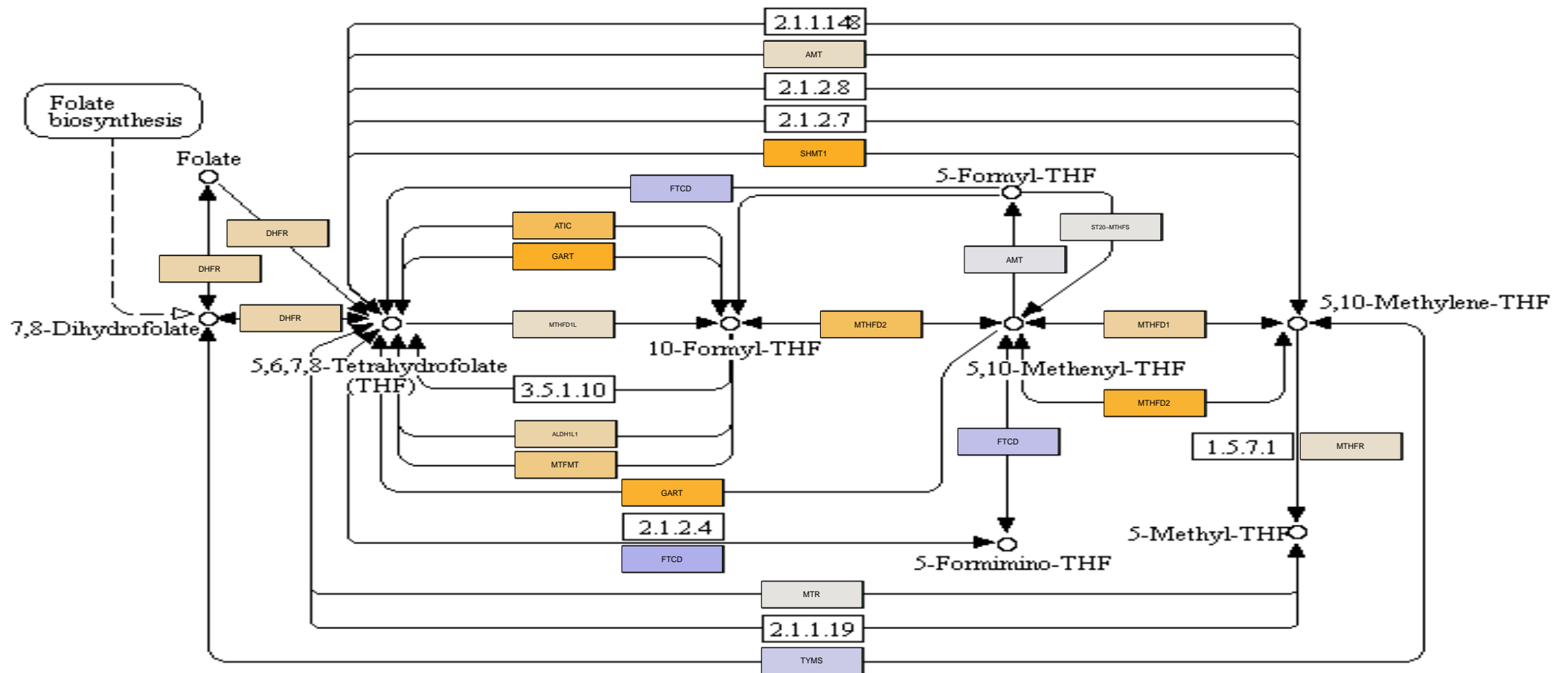
One\_carbon\_pool\_by\_folate  
group 3



One\_carbon\_pool\_by\_folate  
group 4

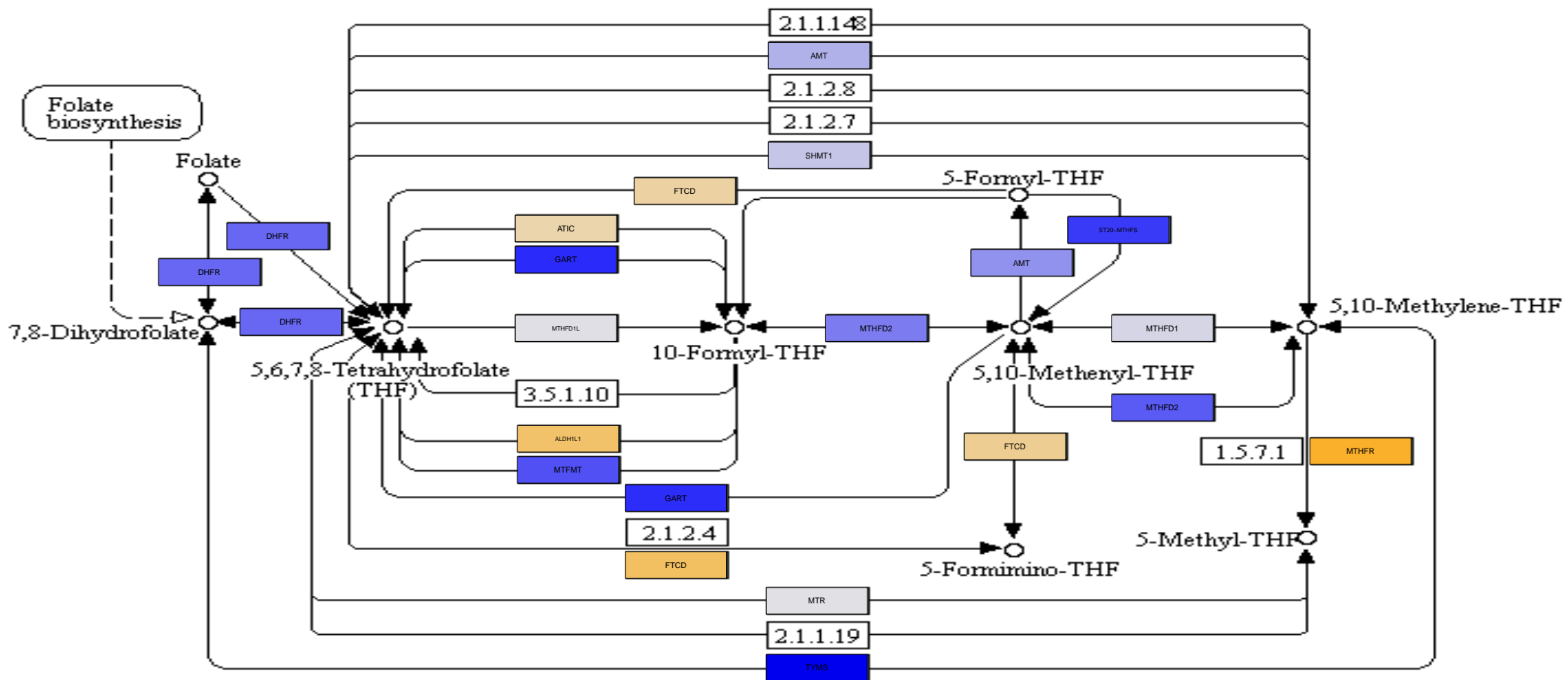


One\_carbon\_pool\_by\_folate  
group 5

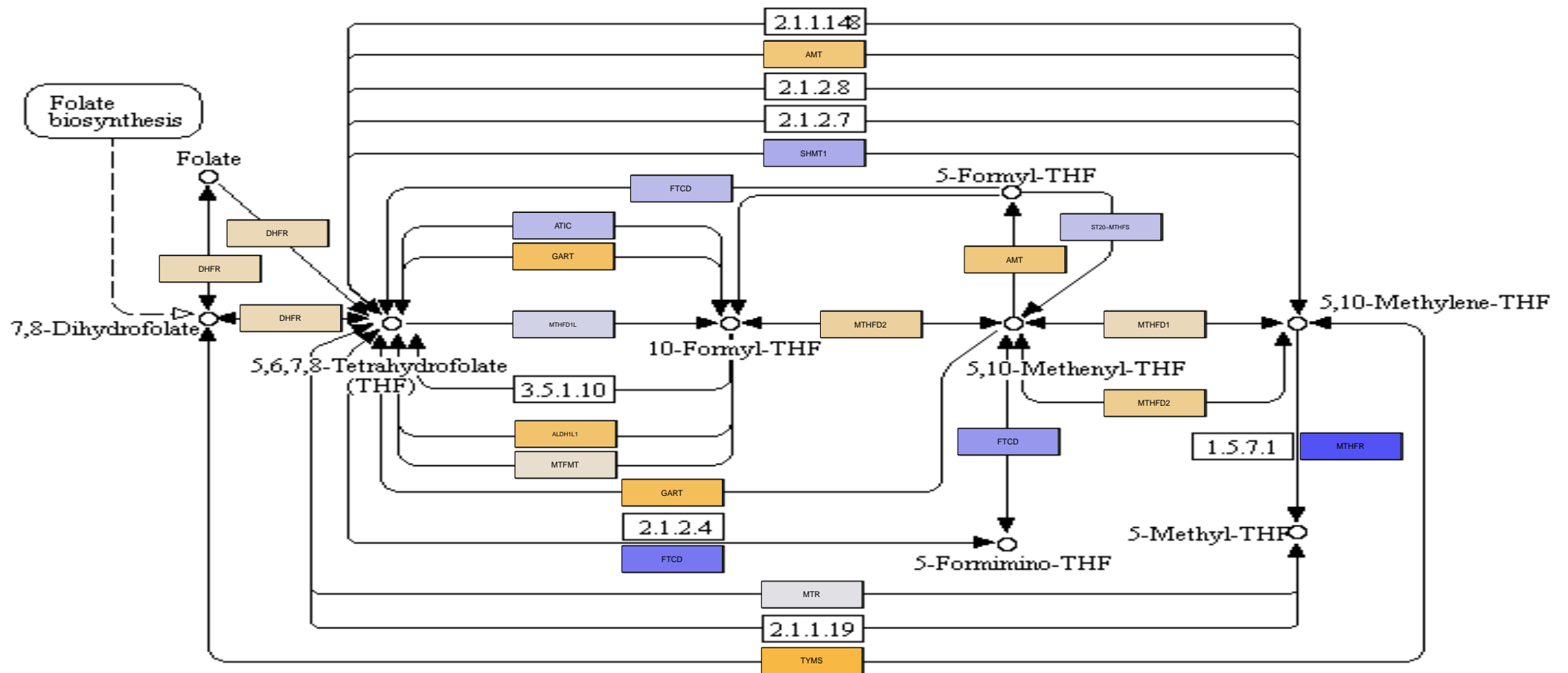




One\_carbon\_pool\_by\_folate  
group 6



One\_carbon\_pool\_by\_folate  
group 7



One\_carbon\_pool\_by\_folate  
group 8

