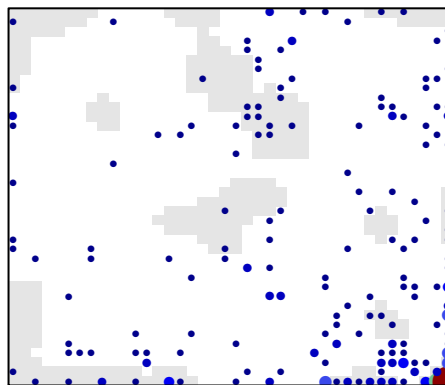
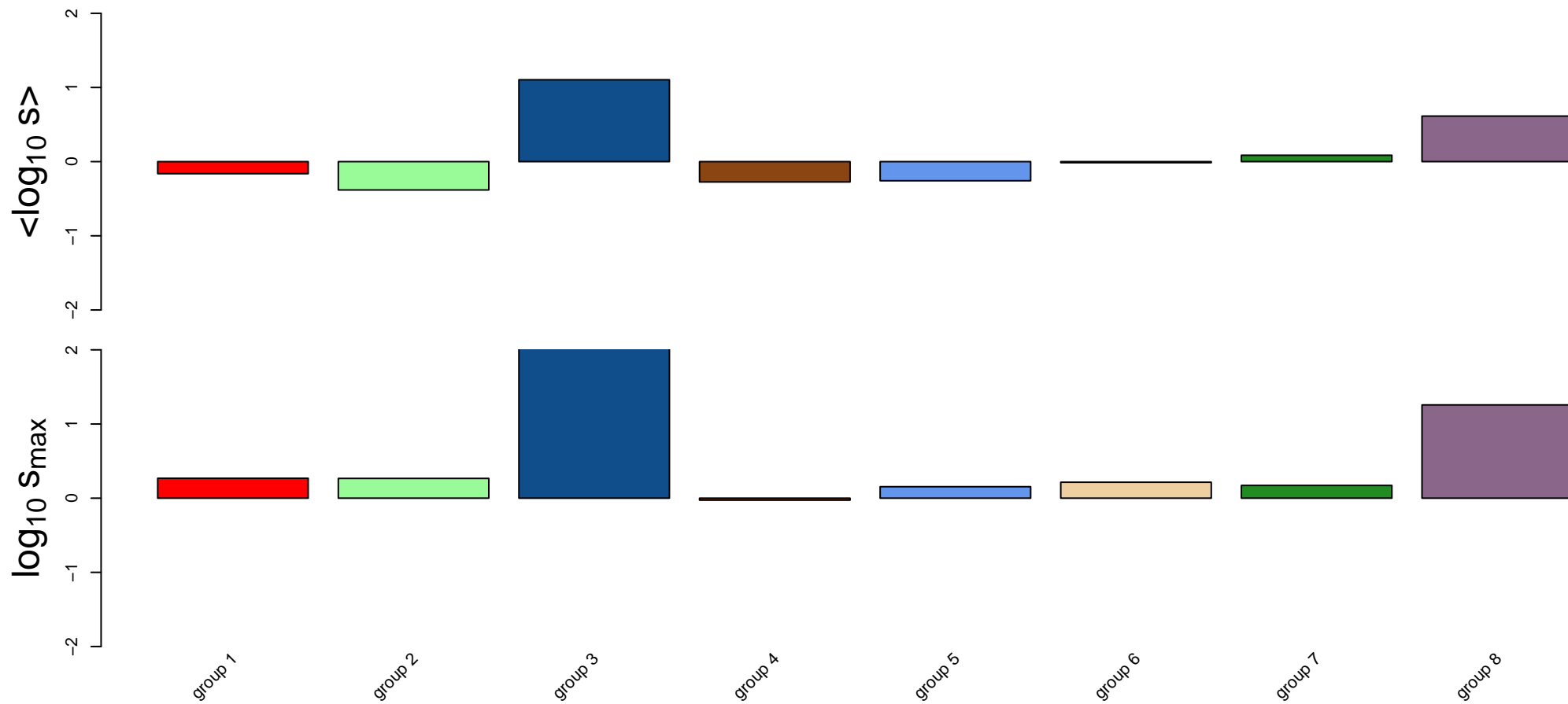
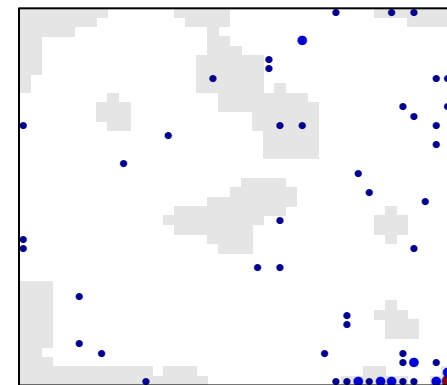


Morphine addiction

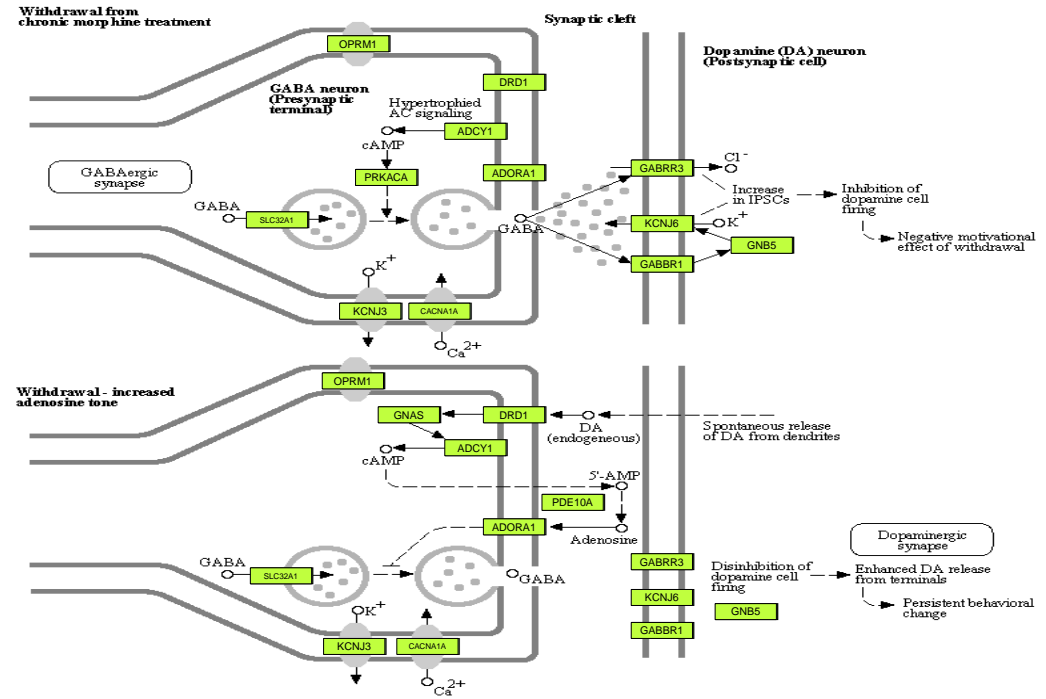
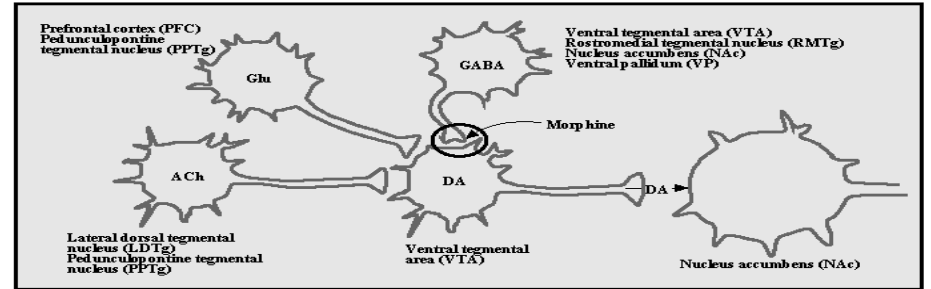
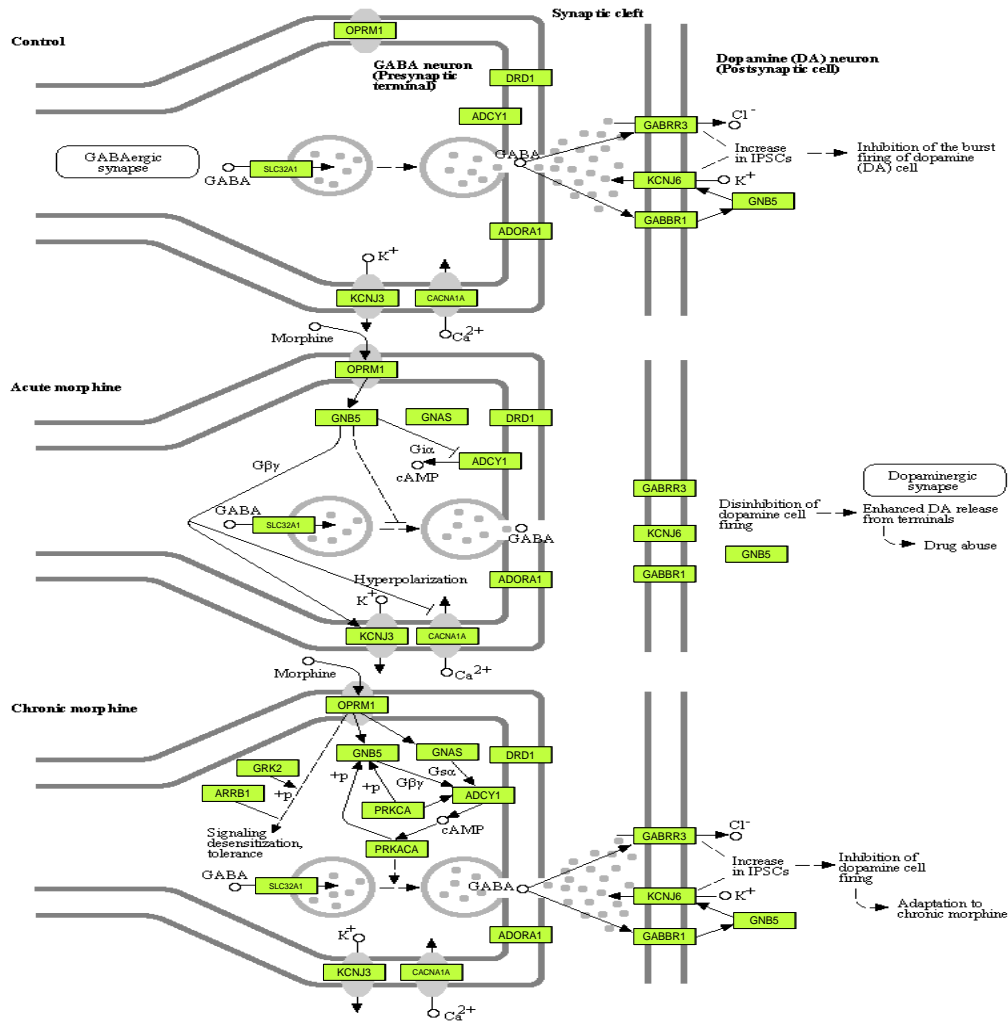
all genes



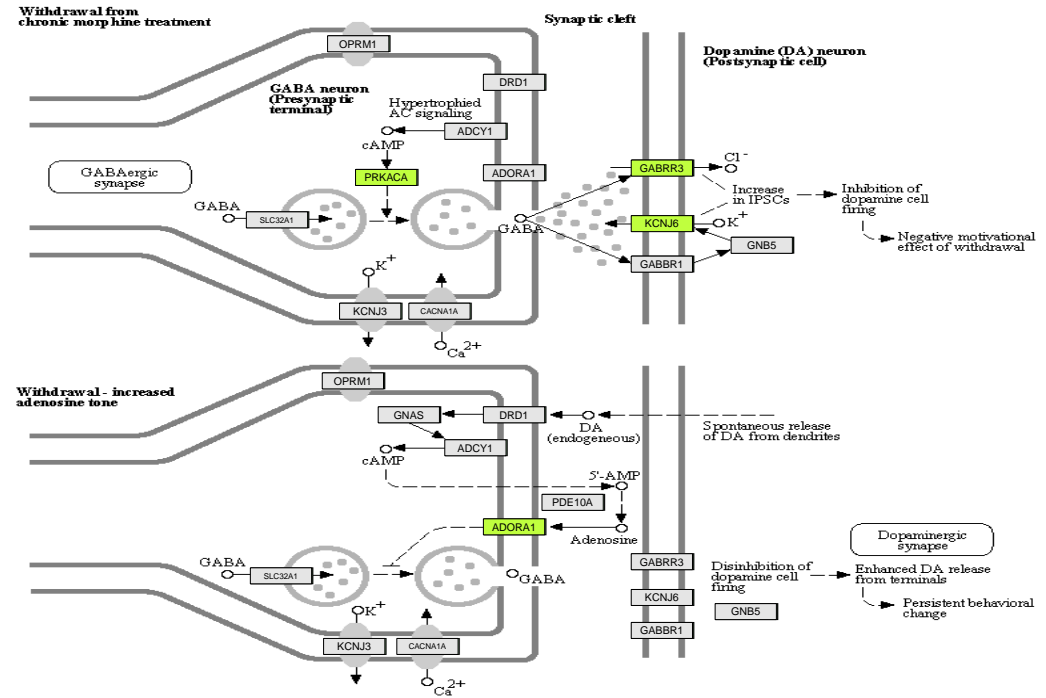
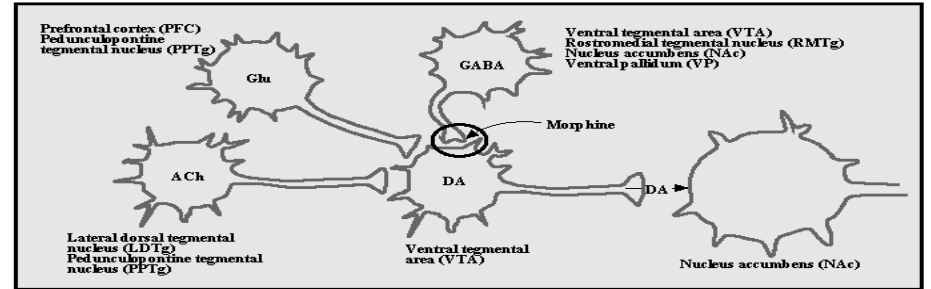
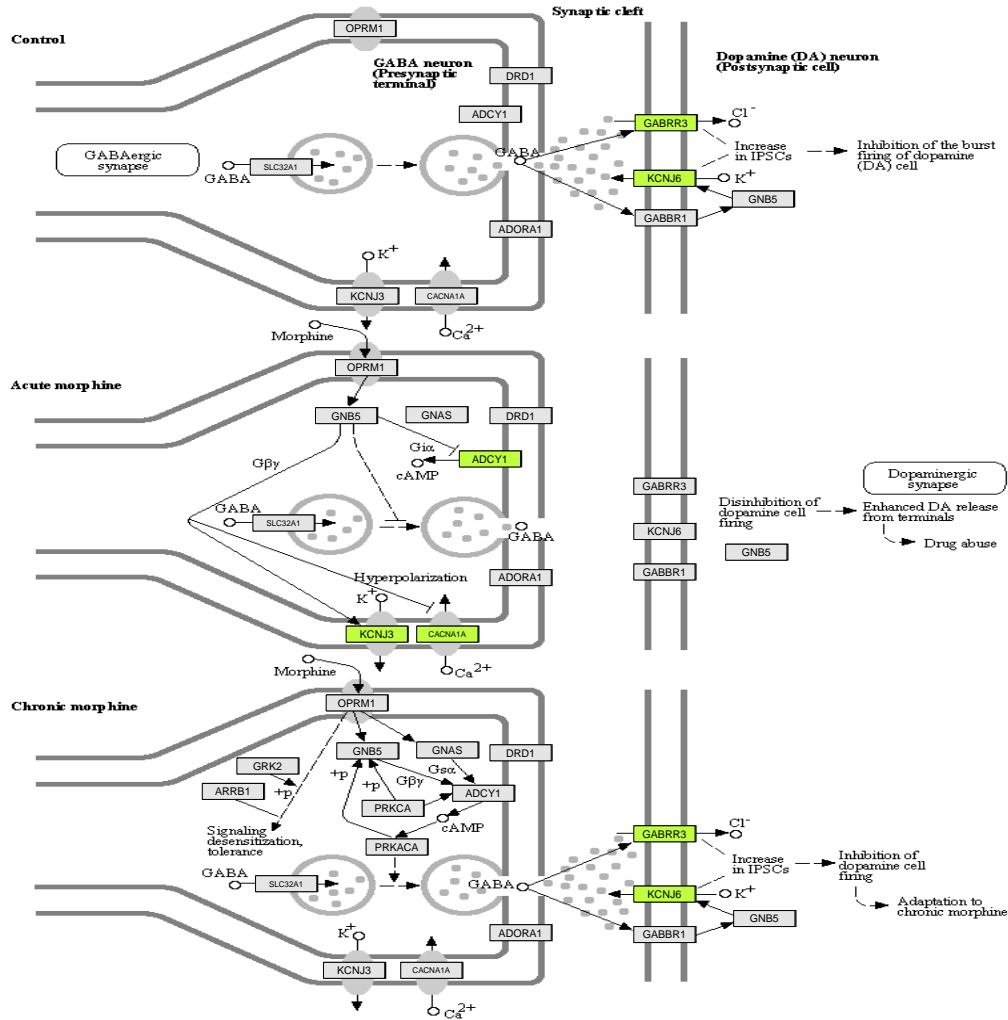
sink node genes



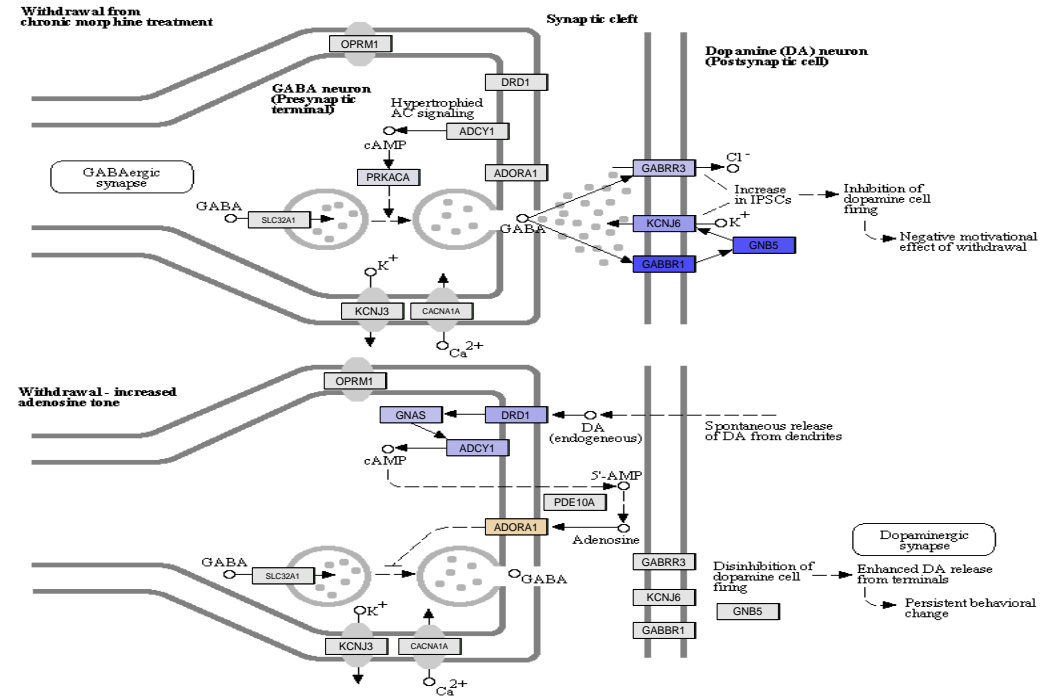
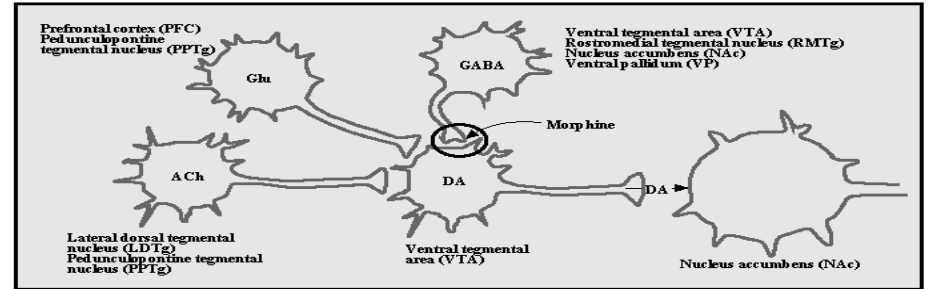
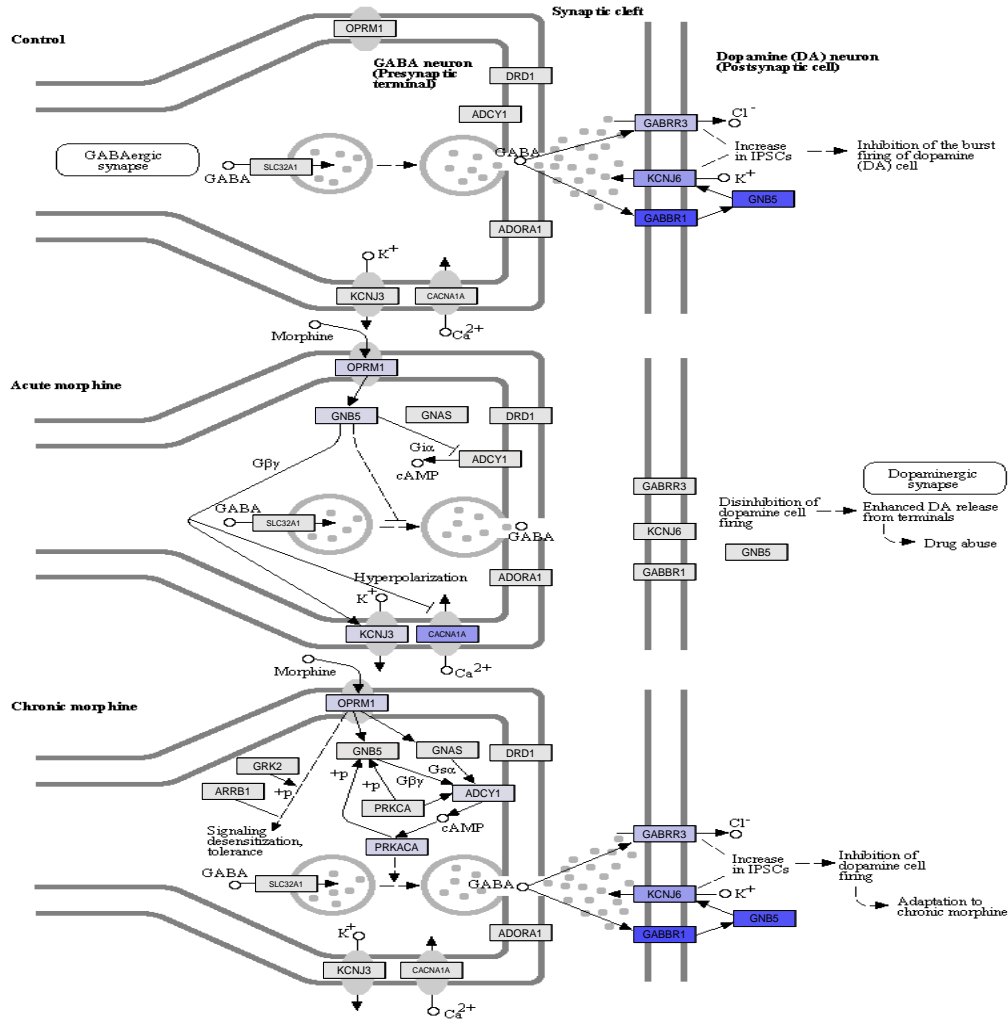
Morphine addiction genes with data



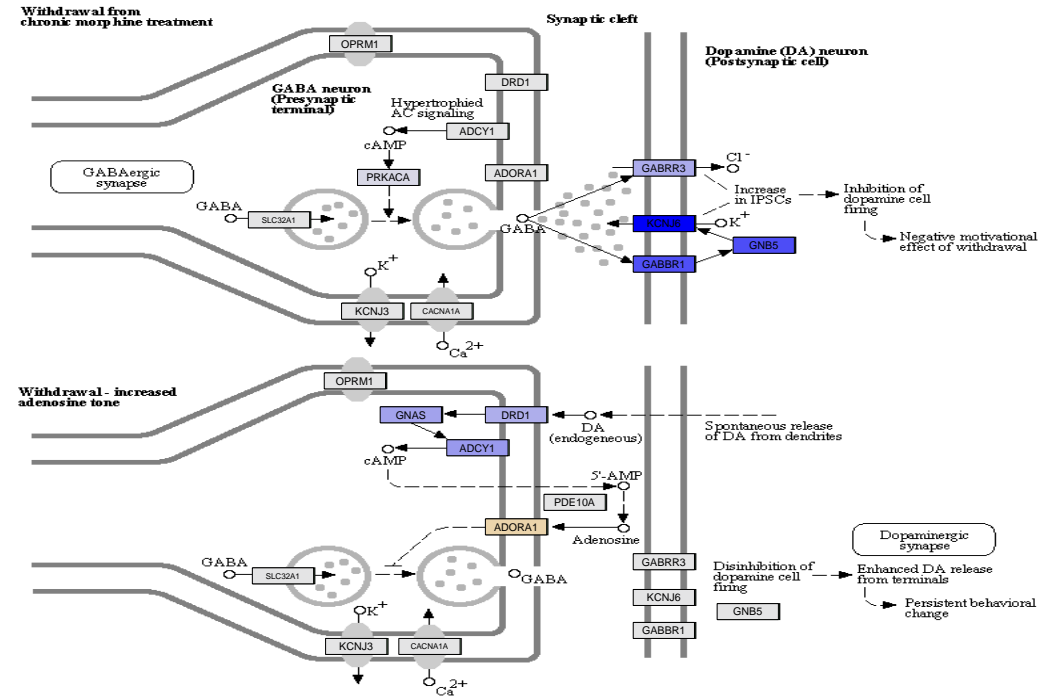
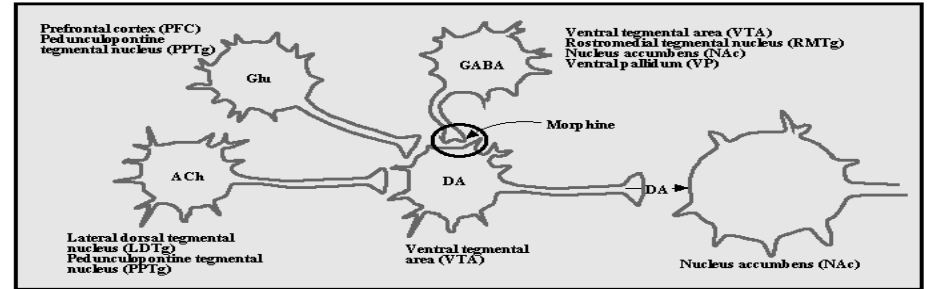
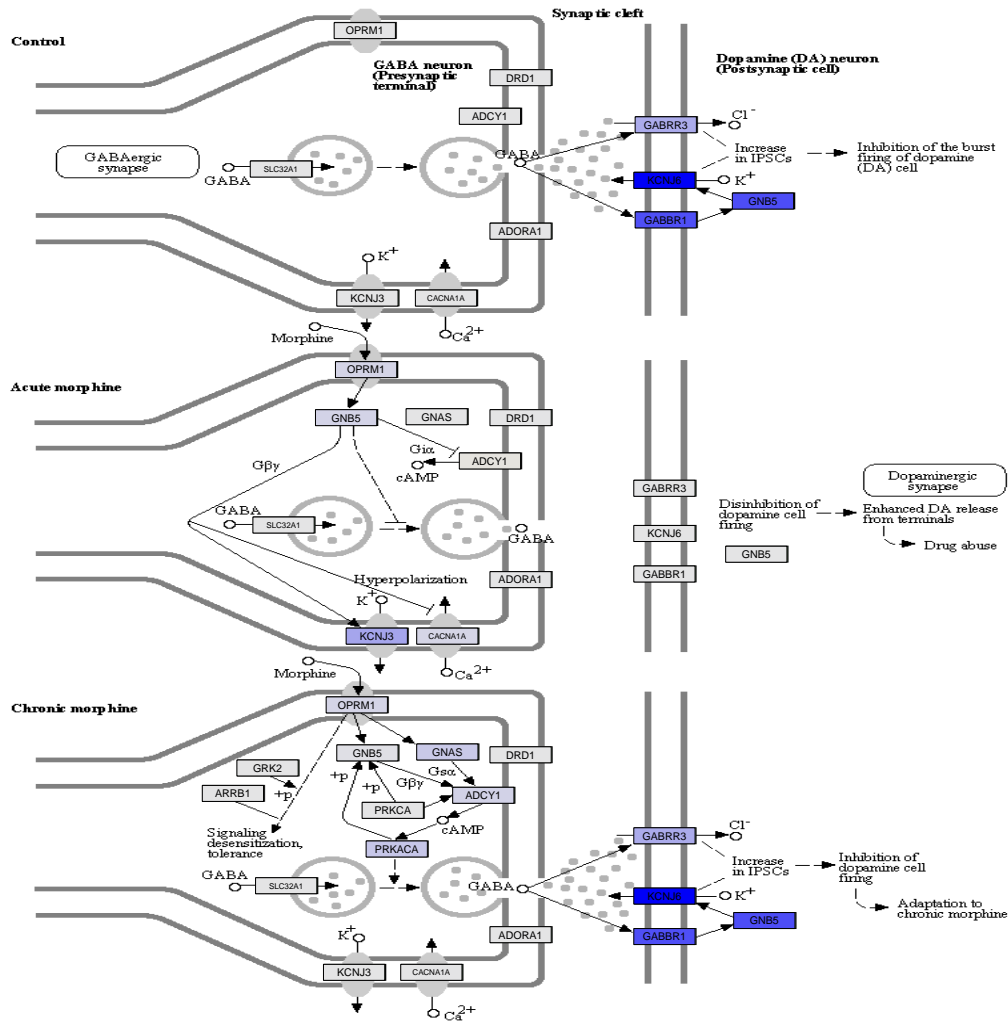
Morphine addiction sink nodes



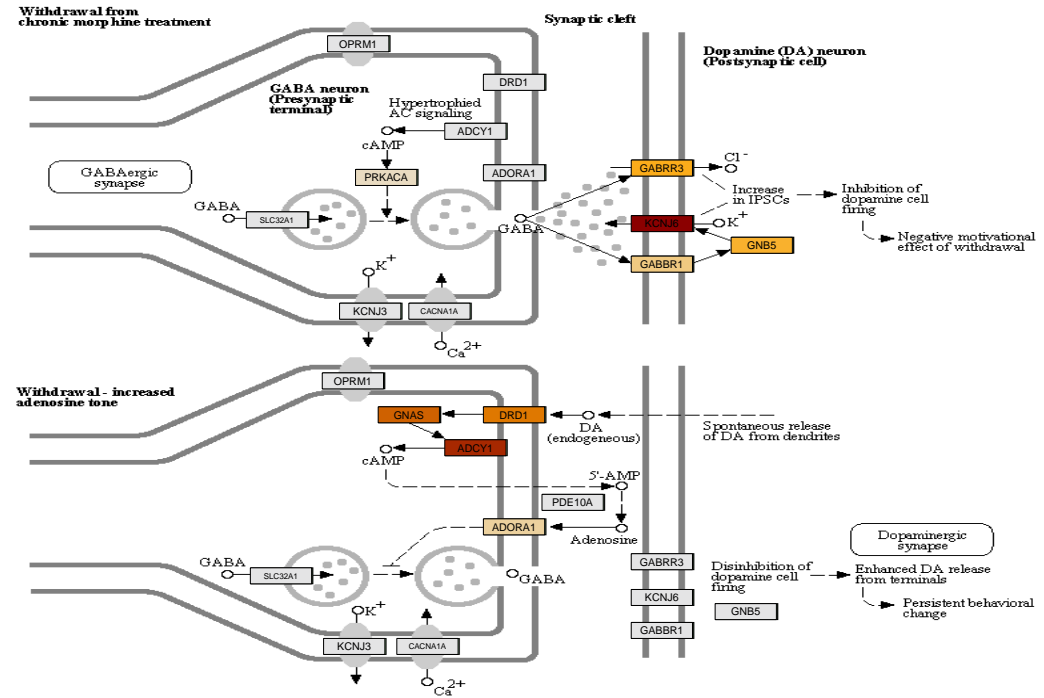
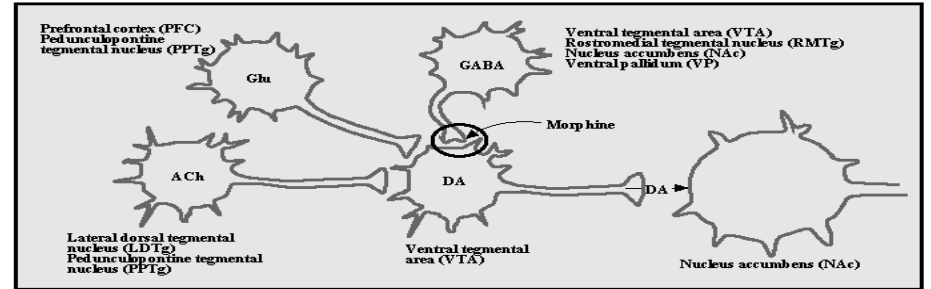
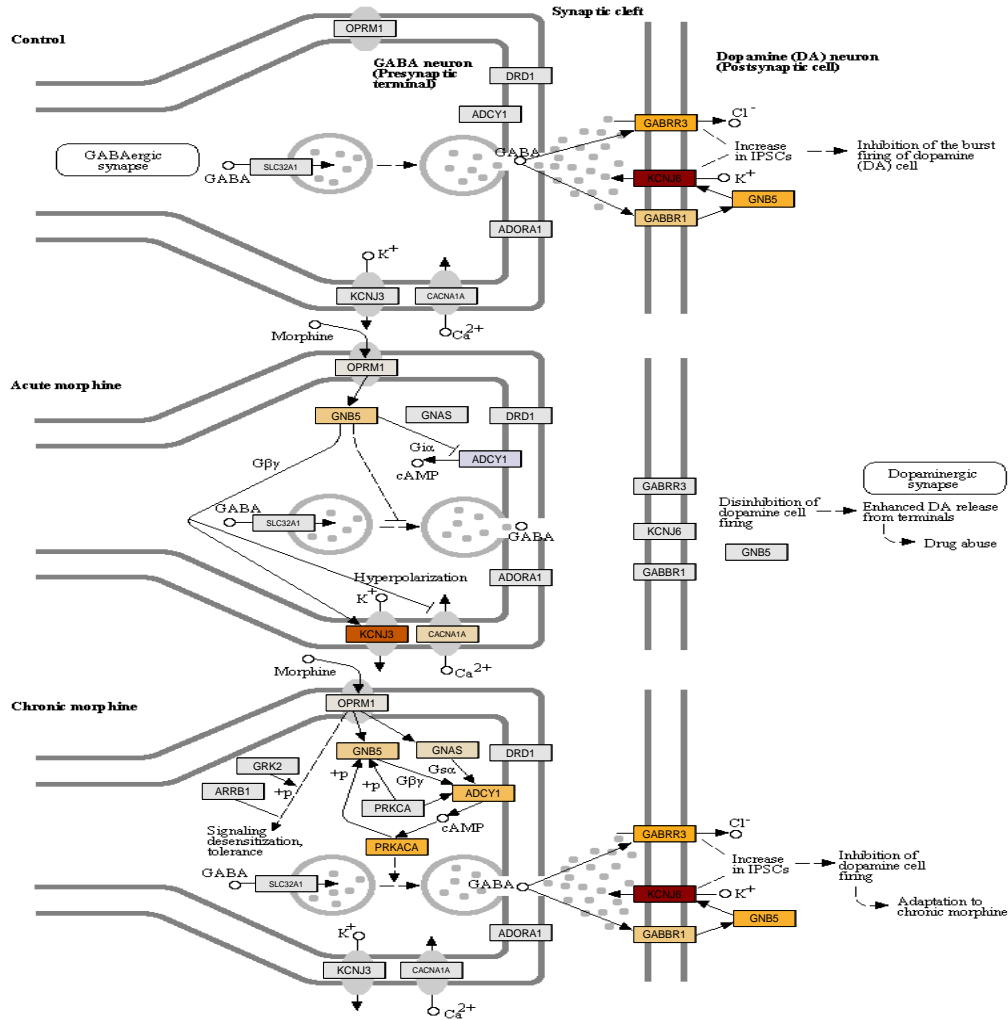
Morphine_addiction_group_1



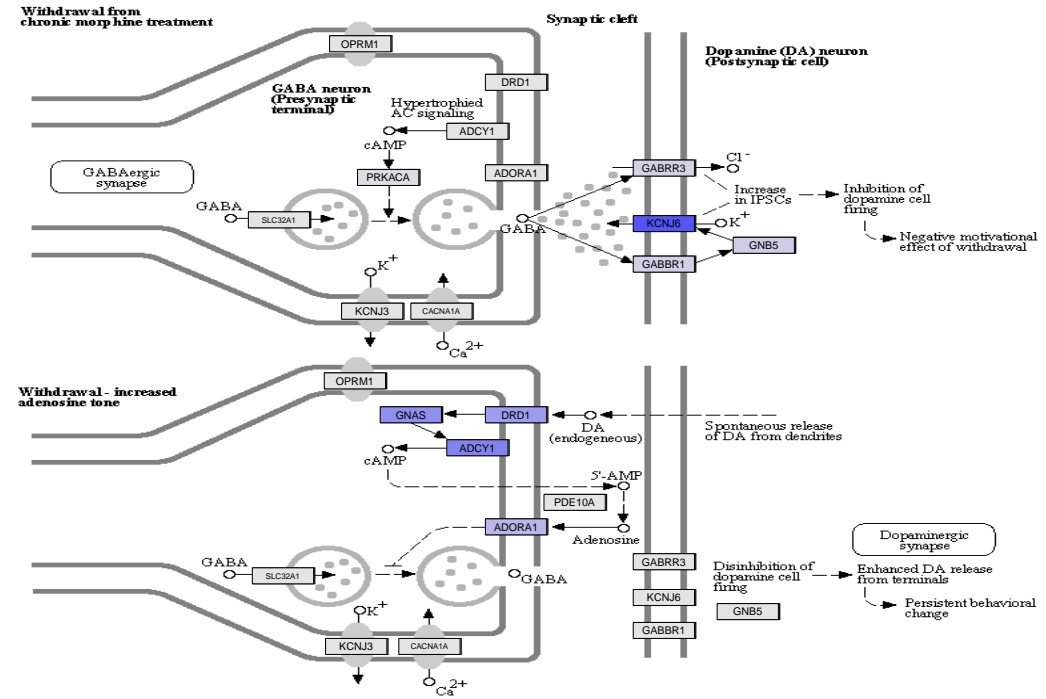
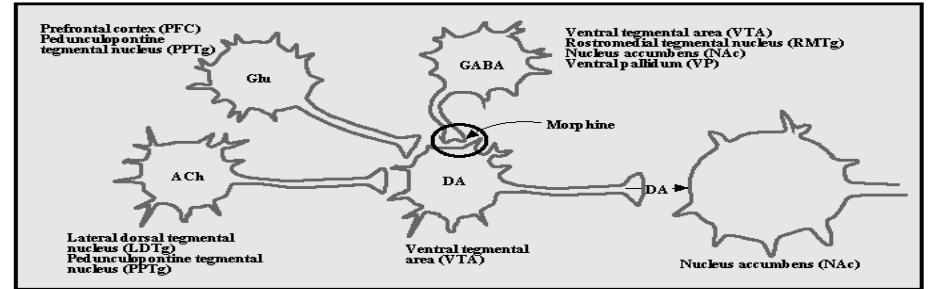
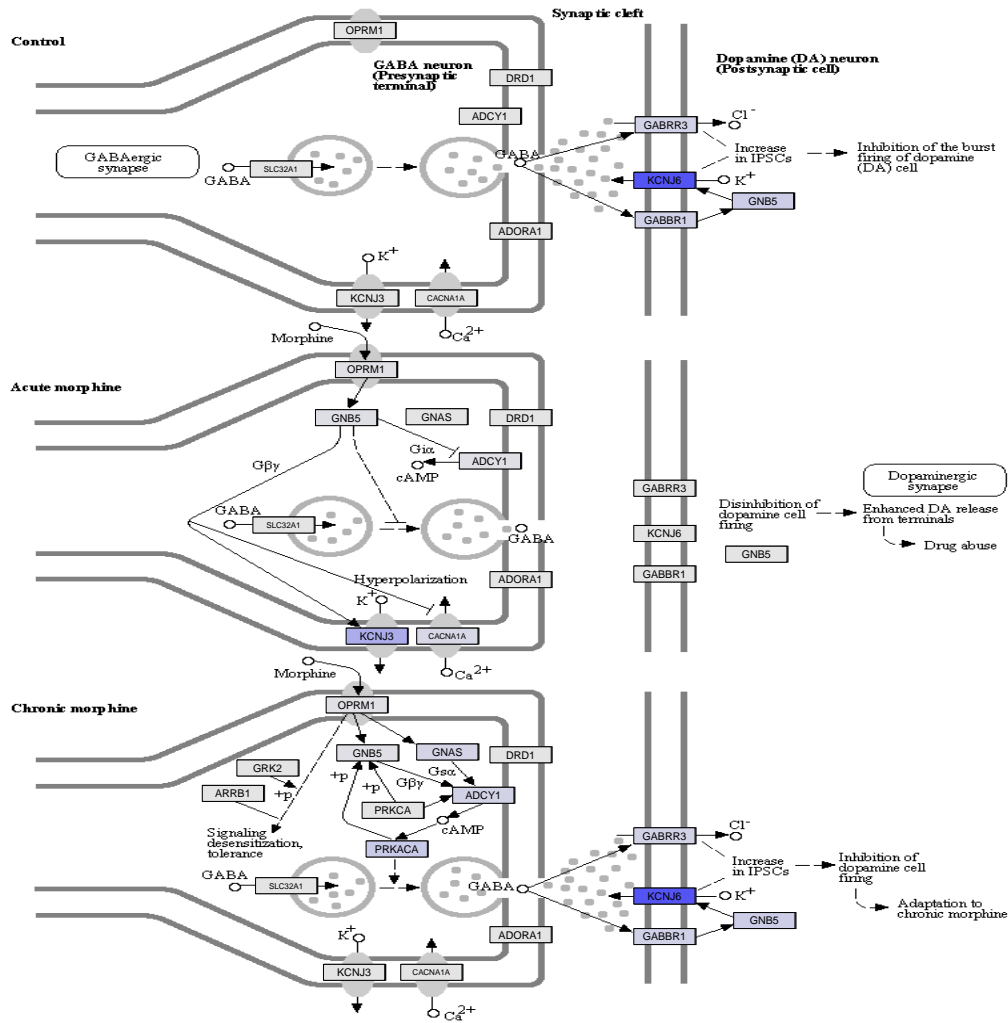
Morphine_addiction group 2



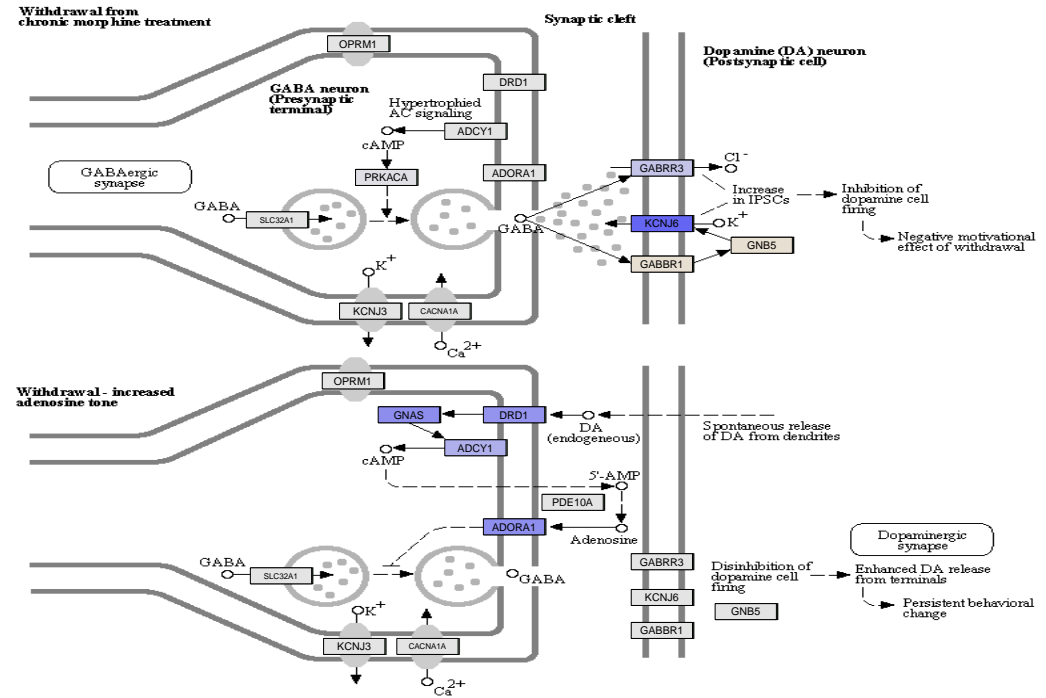
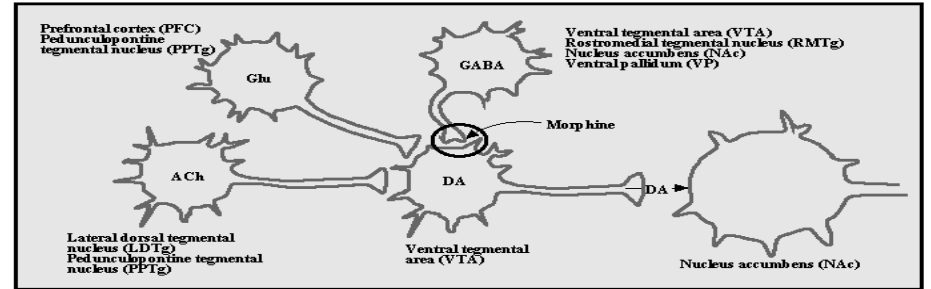
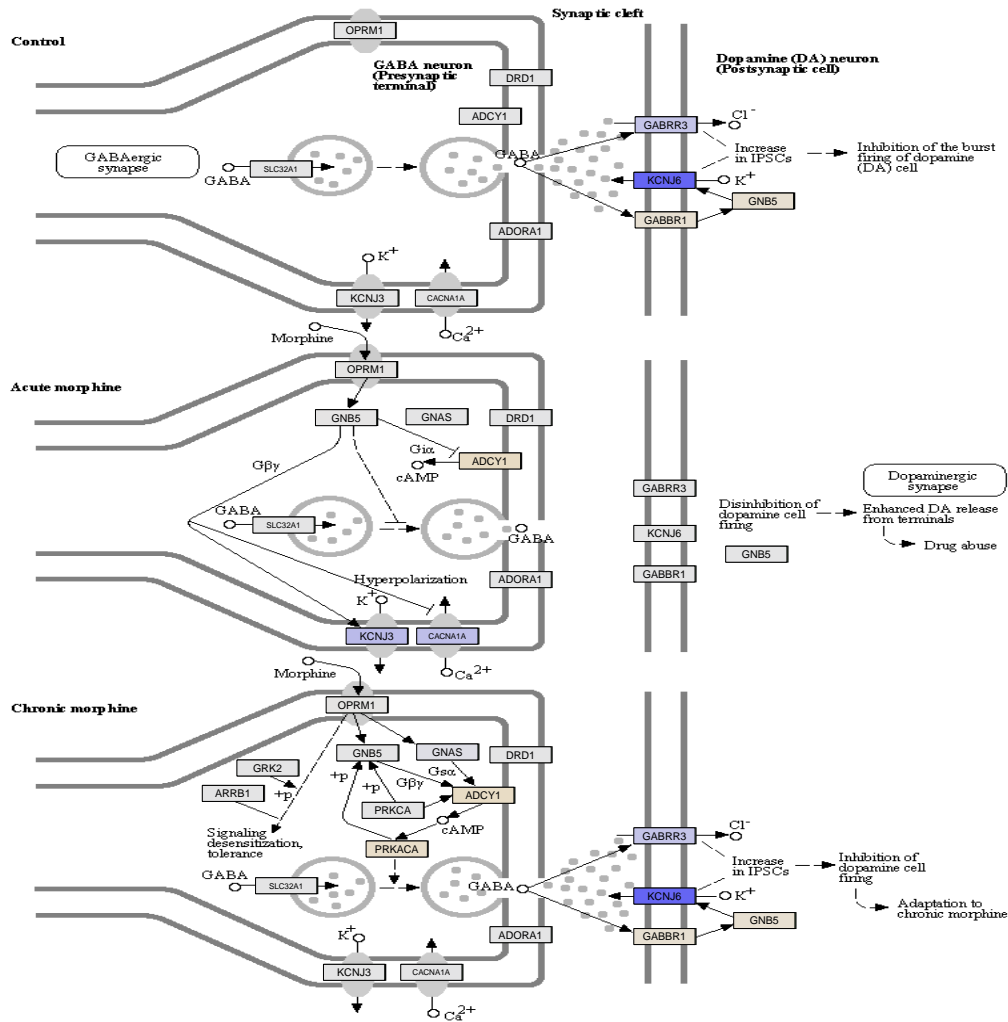
Morphine_addiction_group.3



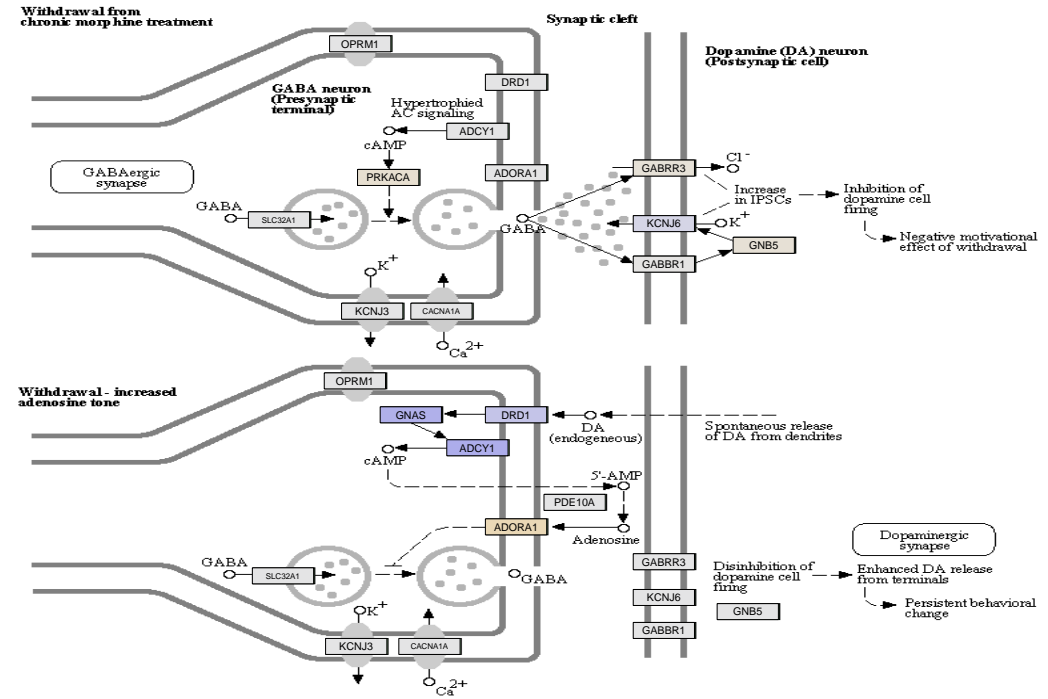
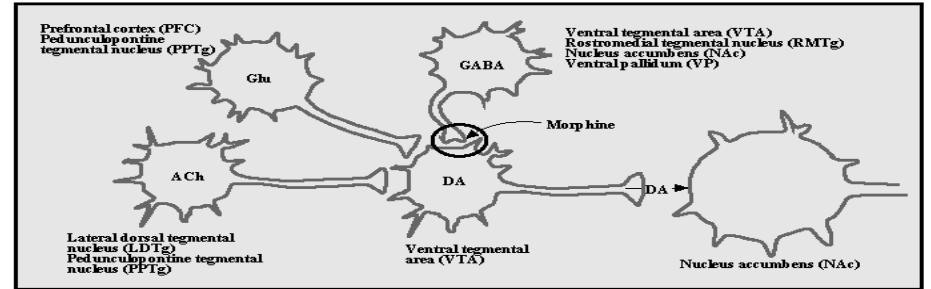
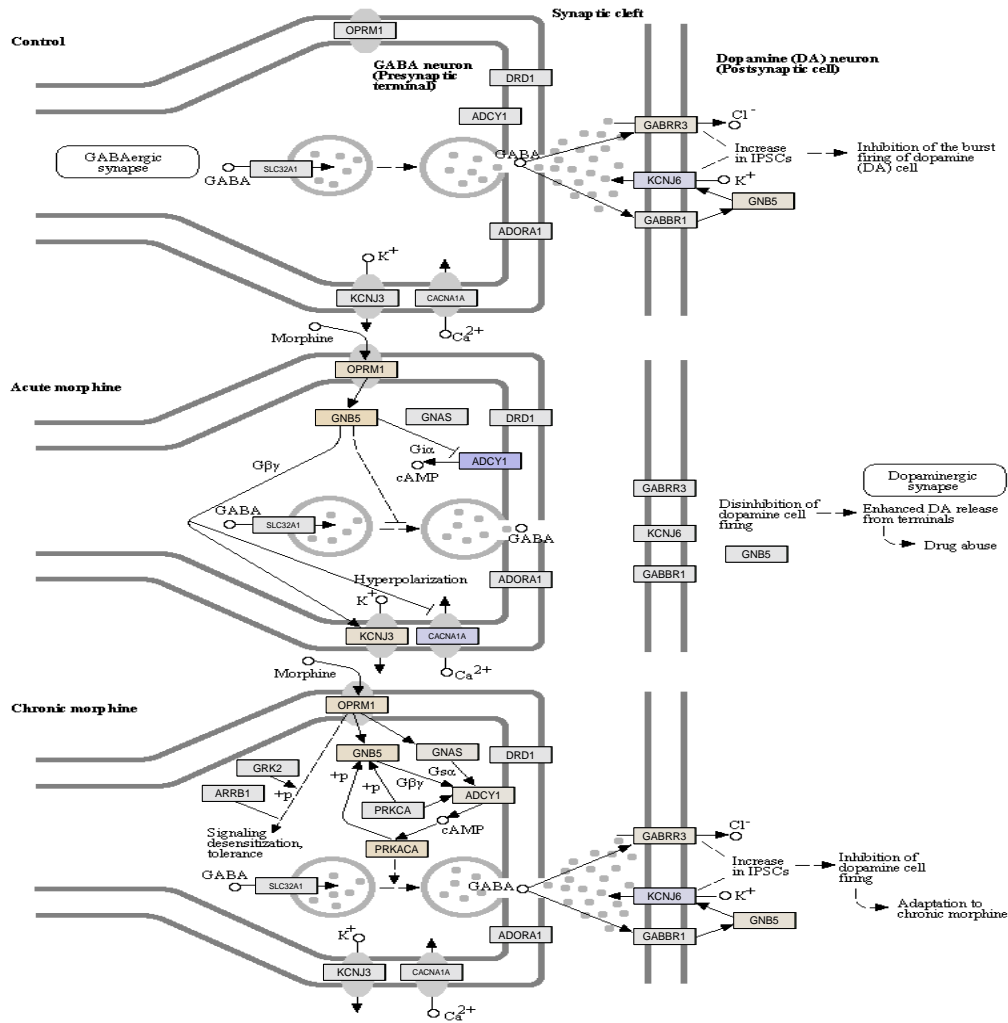
Morphine_addiction_group_4



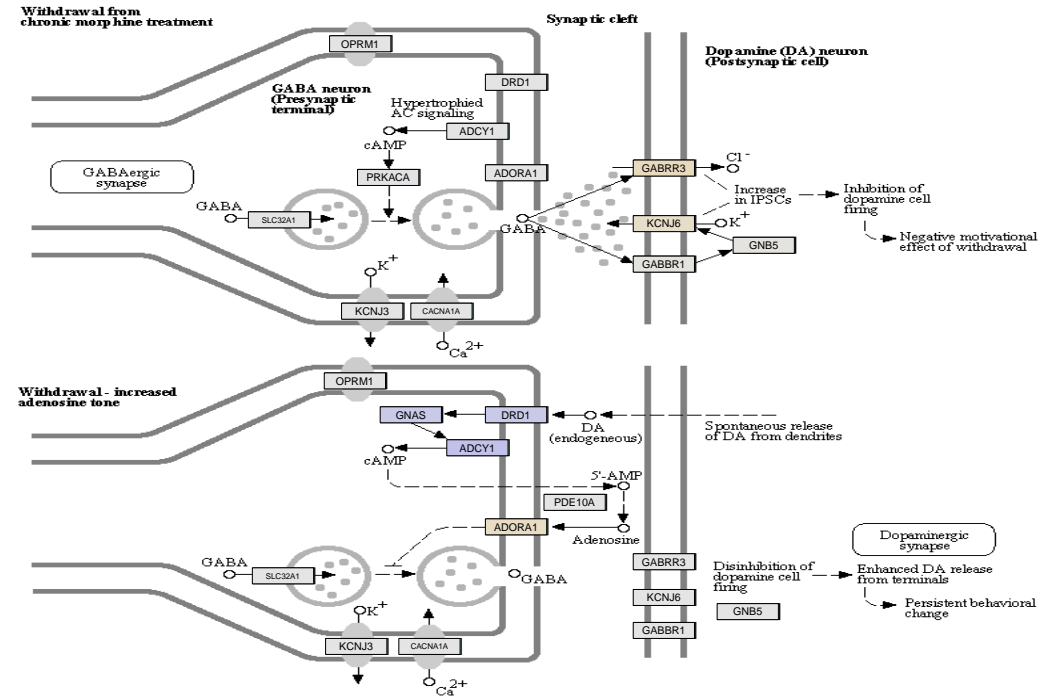
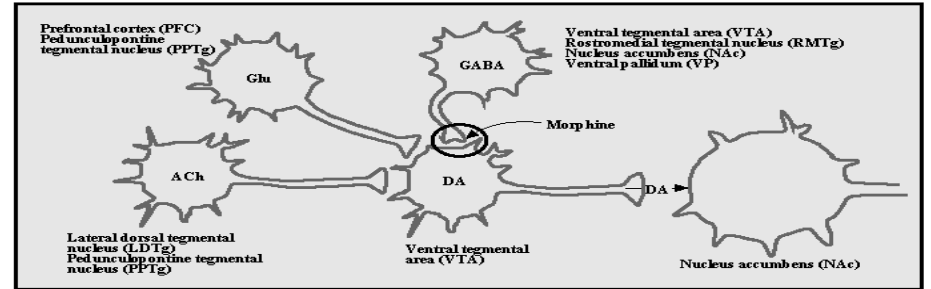
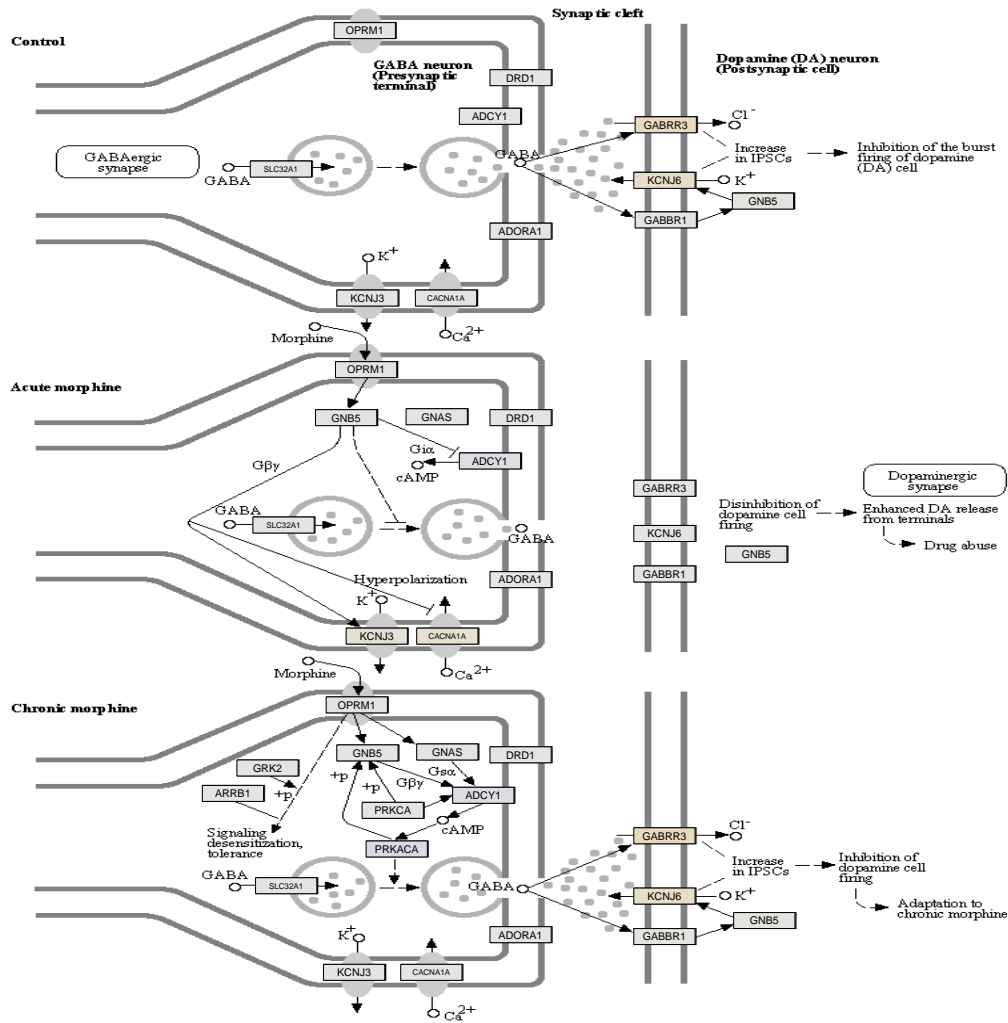
Morphine_addiction_group.5



Morphine_addiction_group.6



Morphine_addiction group 7



Morphine_addiction_group.8

