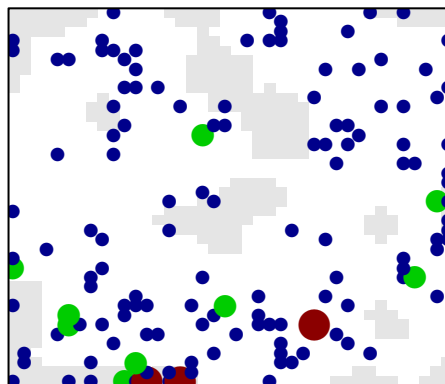
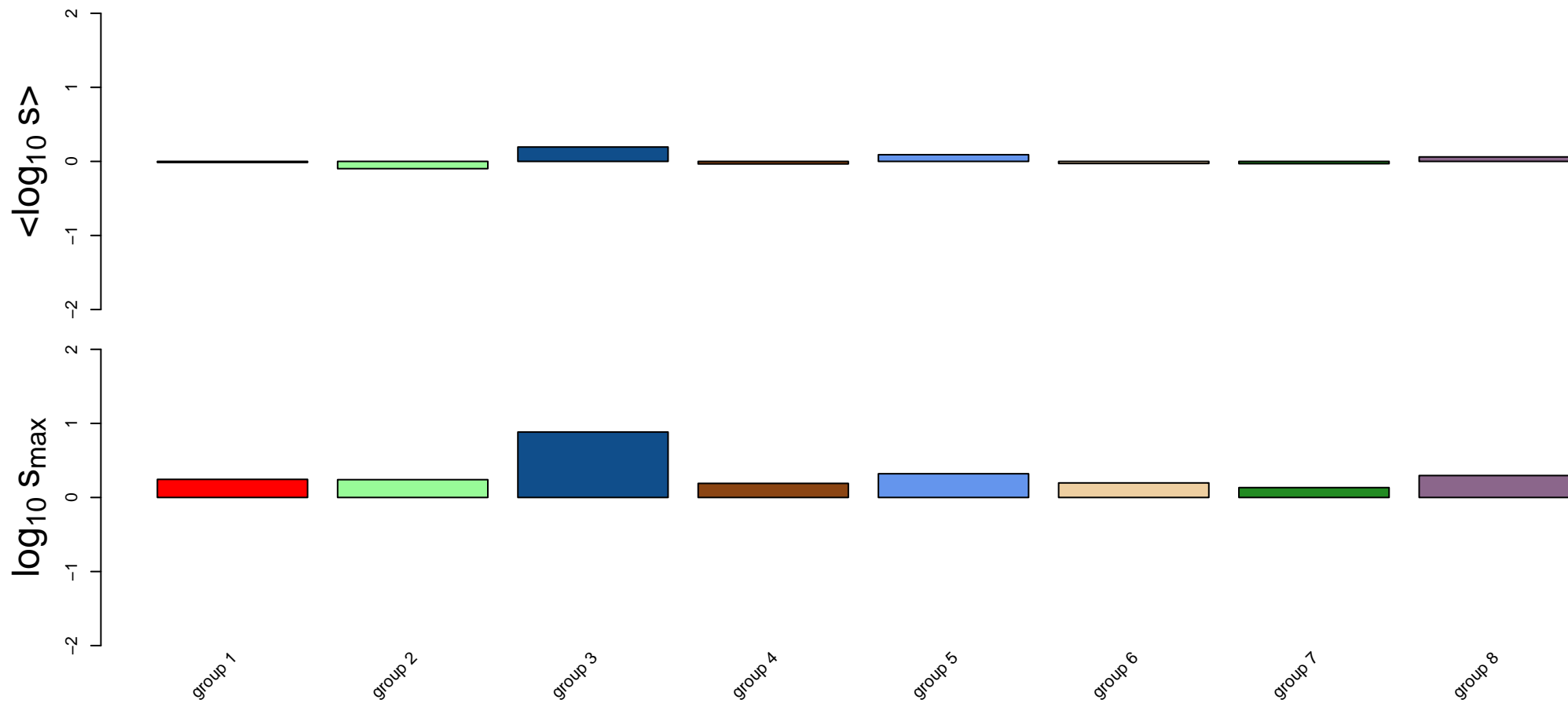
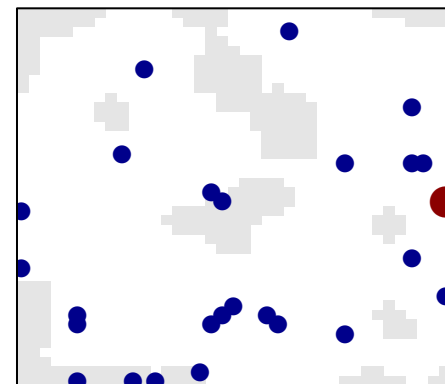


Mitophagy – animal

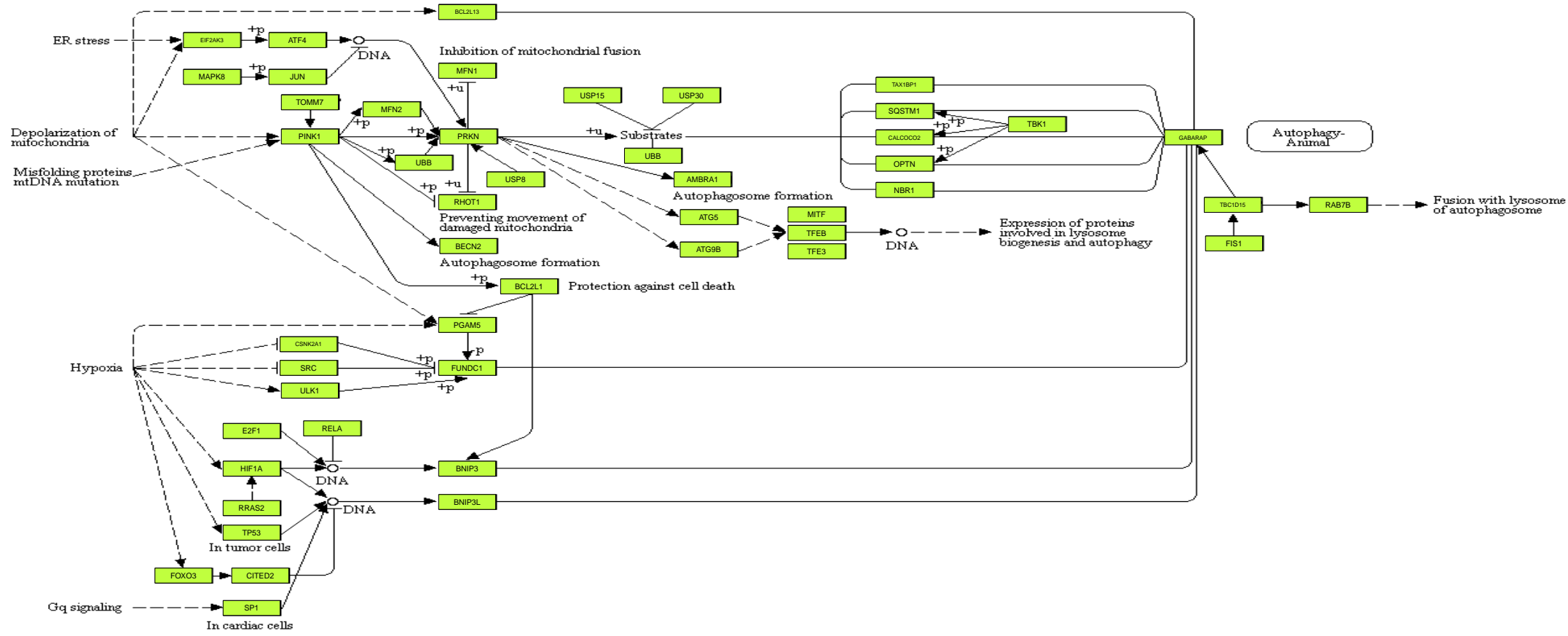
all genes



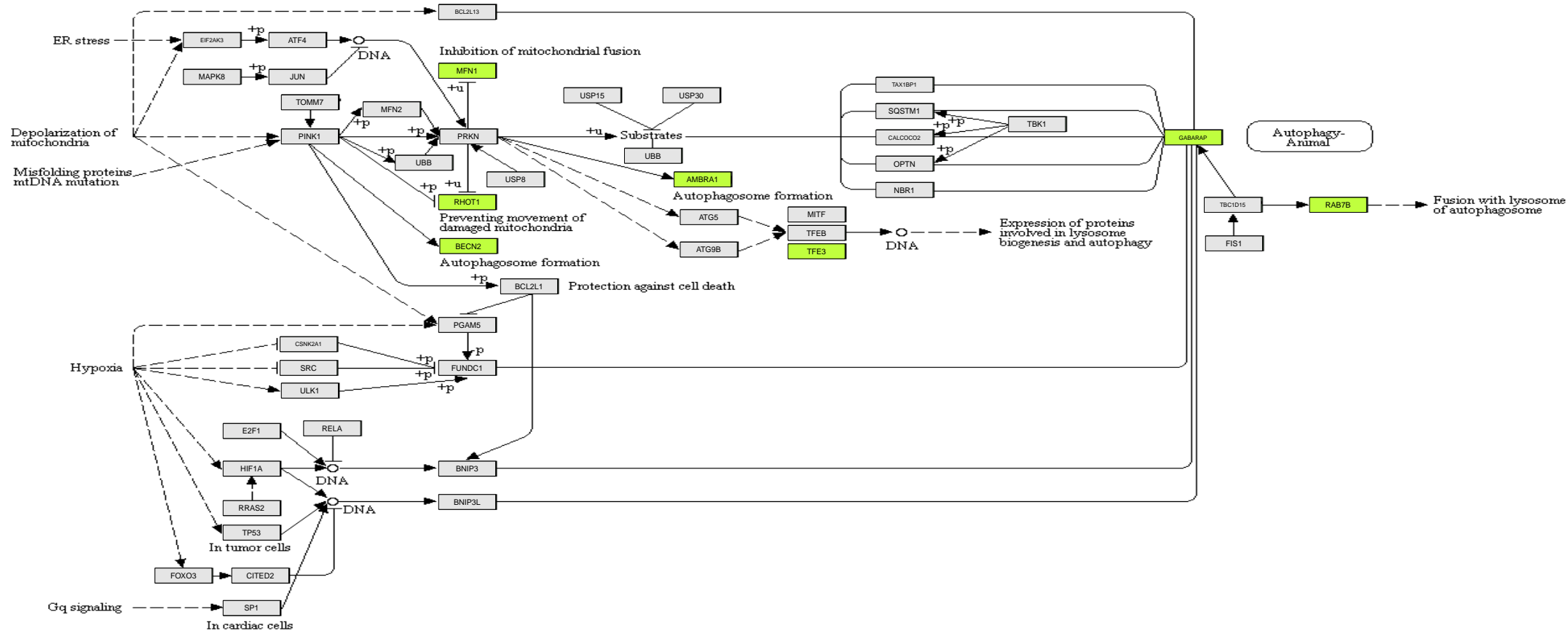
sink node genes



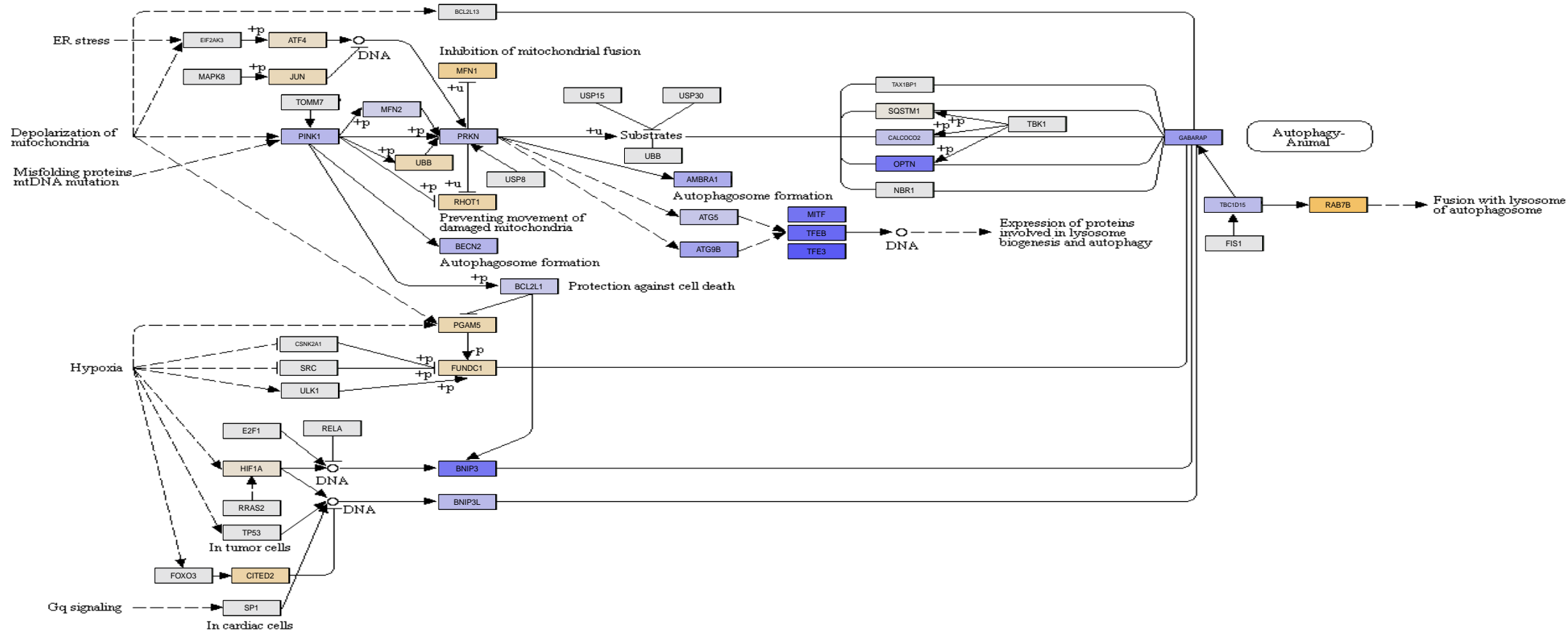
Mitophagy_animal genes with data



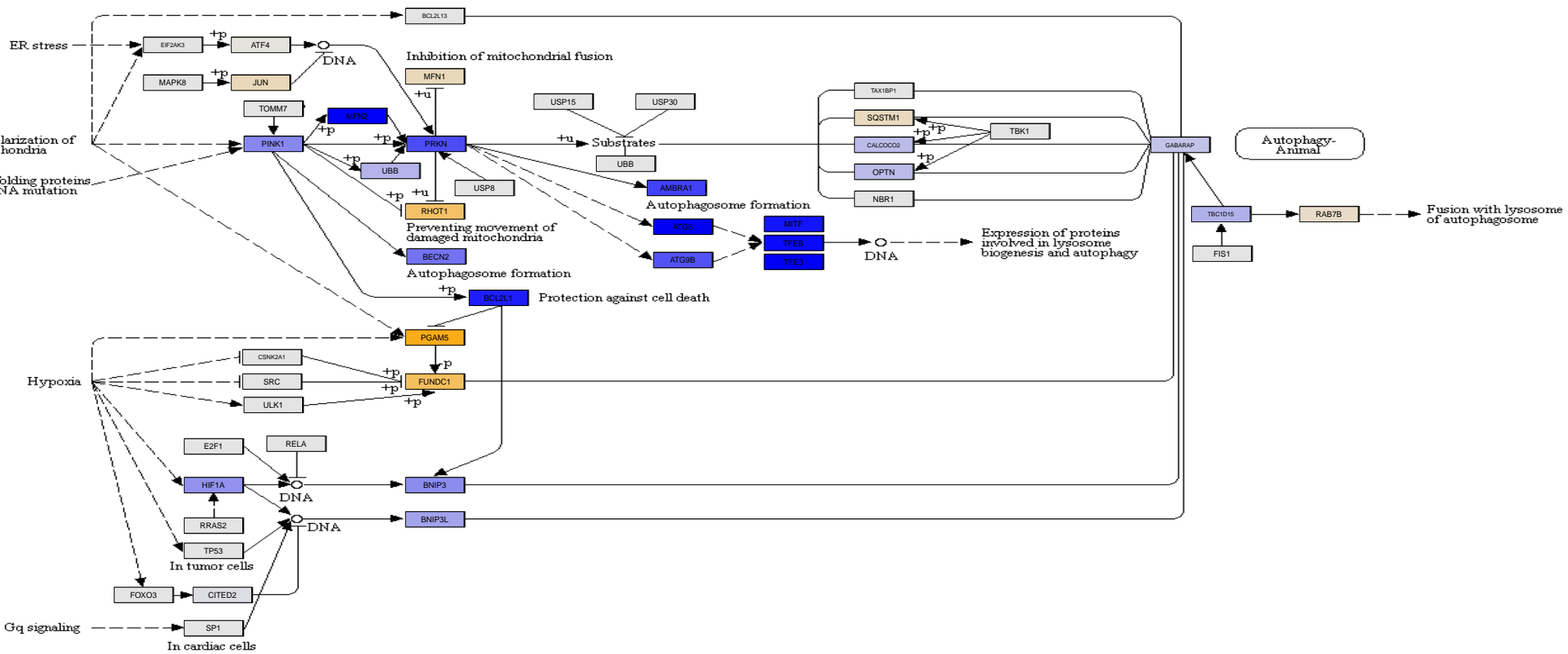
Mitophagy_animal sink nodes



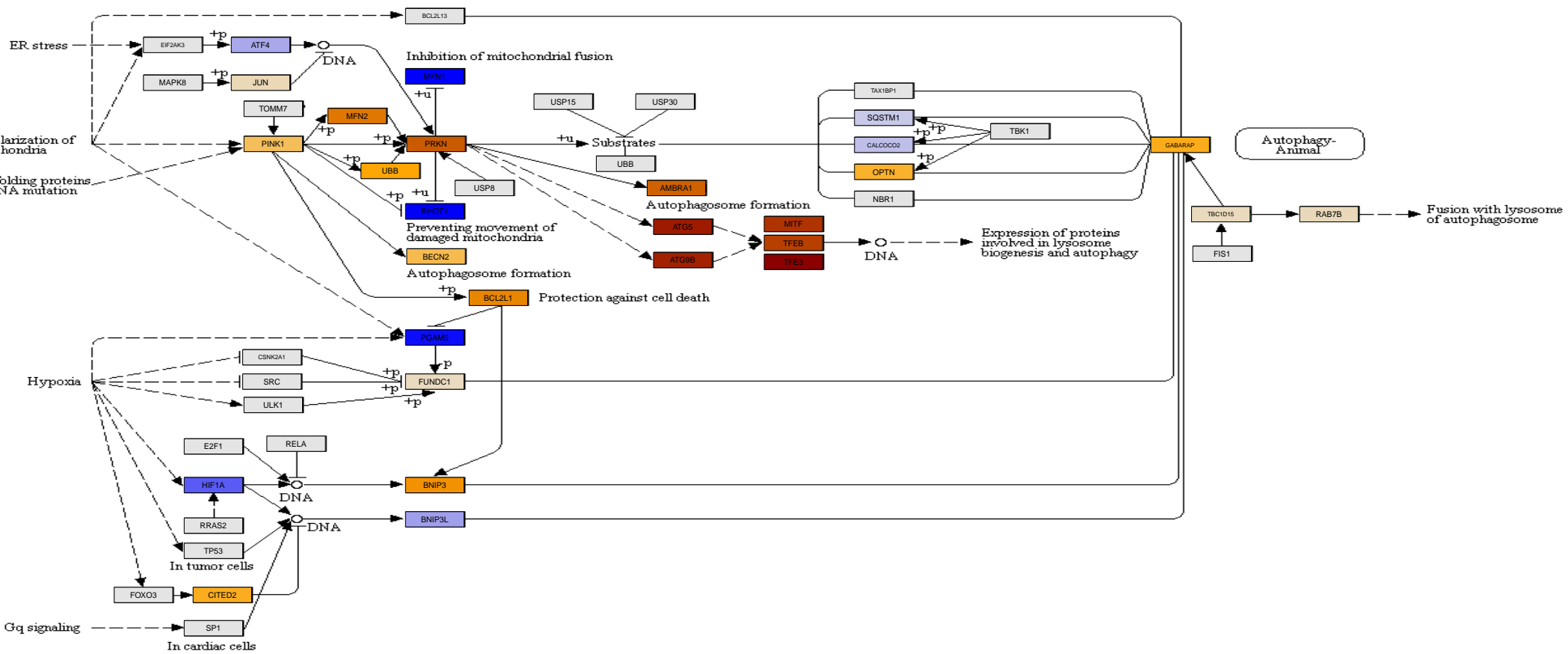
Mitophagy_animal group 1



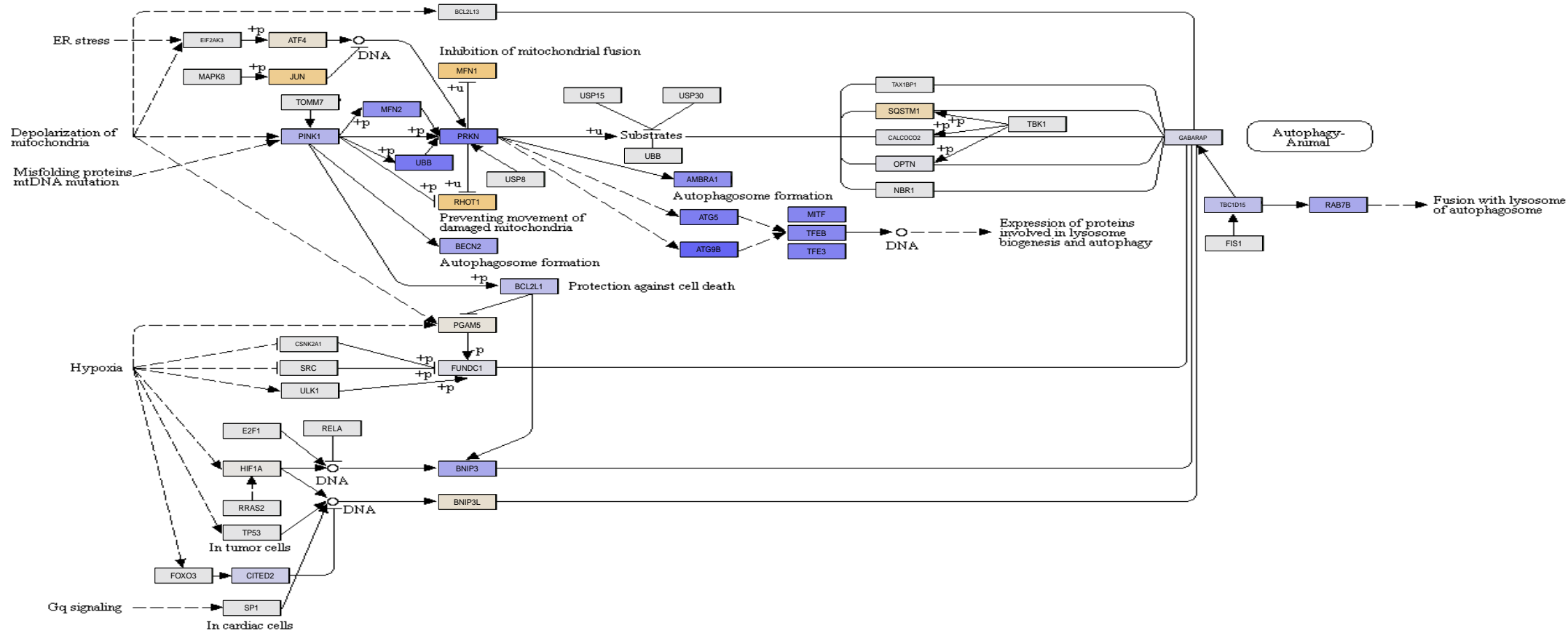
Mitophagy_animal group 2



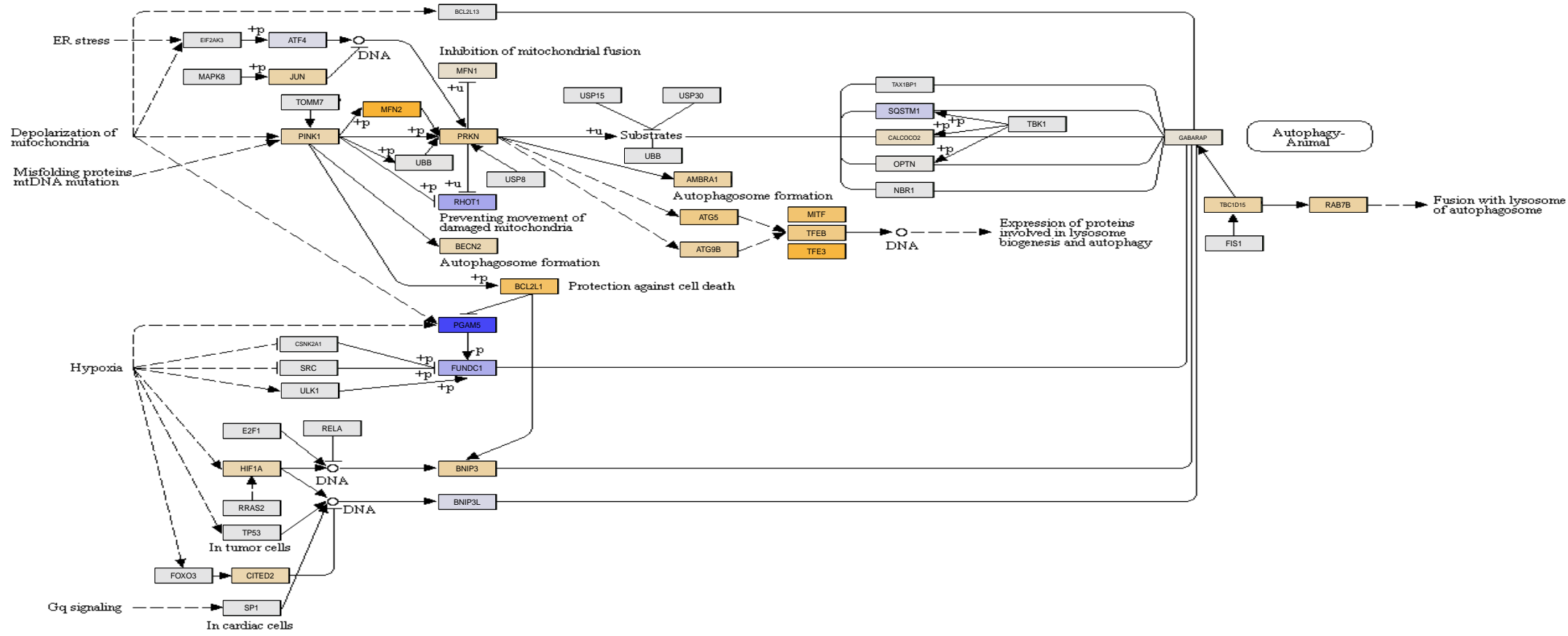
Mitophagy_animal group 3



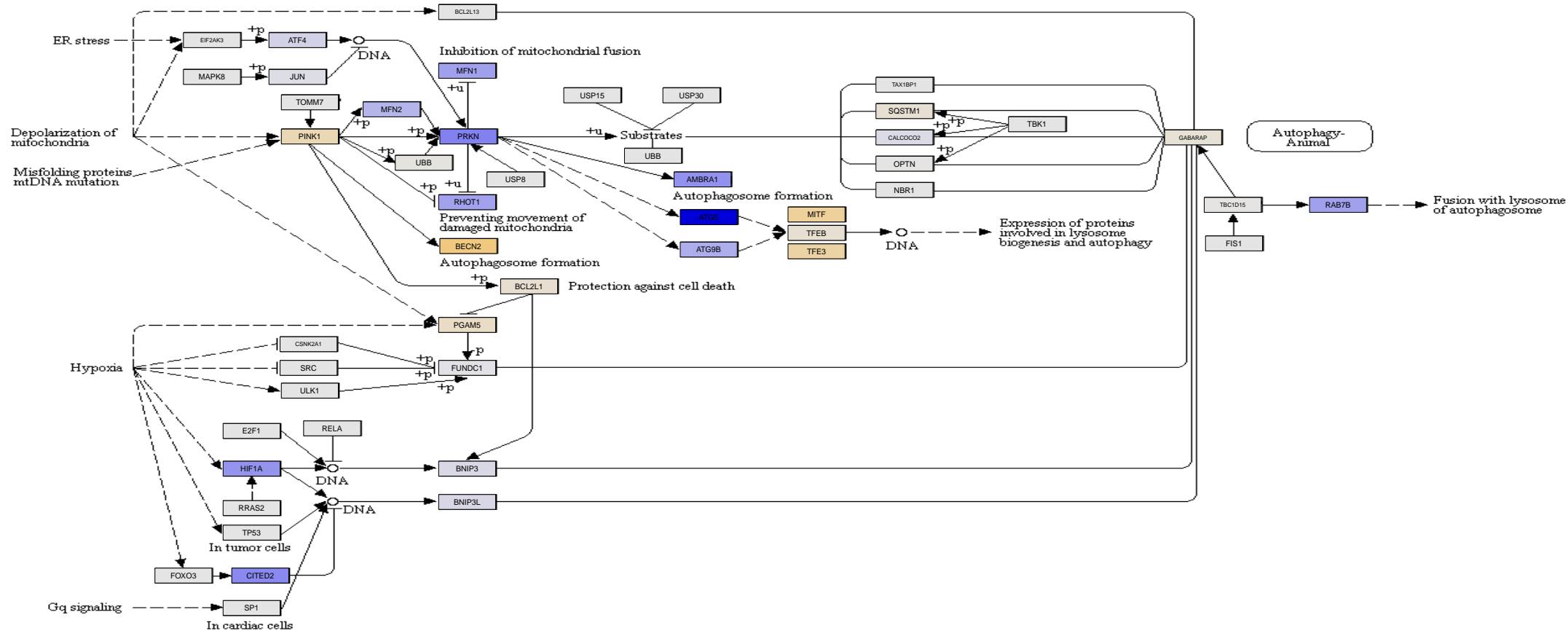
Mitophagy_animal group 4



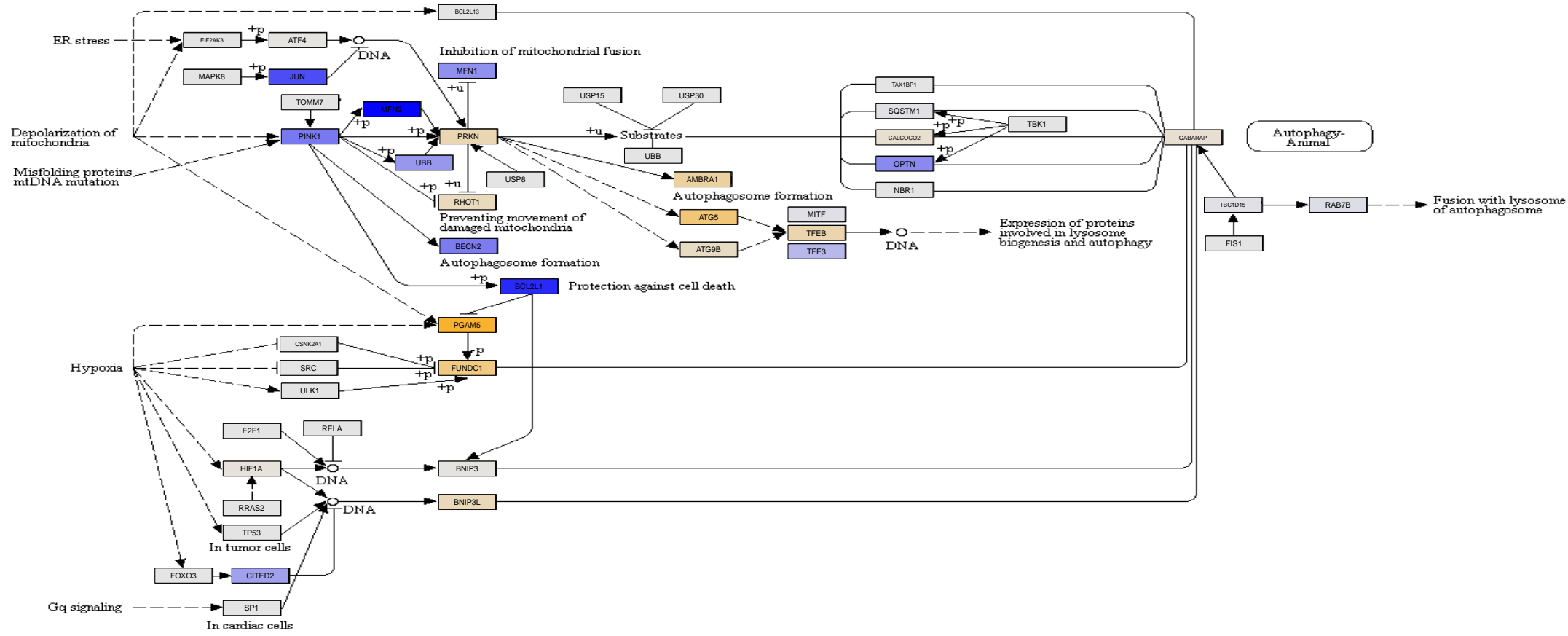
Mitophagy_animal group 5



Mitophagy_animal group 6



Mitophagy_animal group 7



Mitophagy_animal group 8

