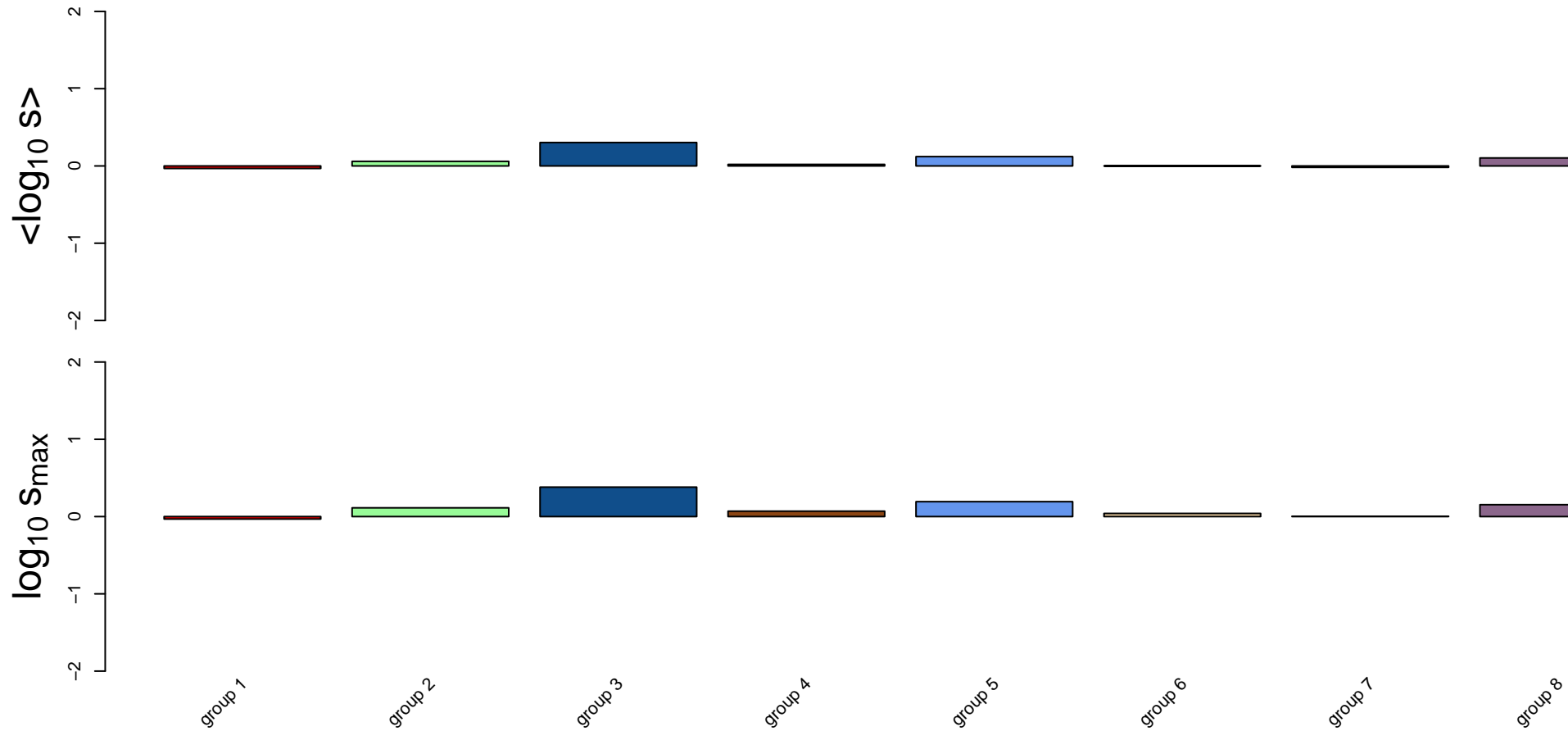
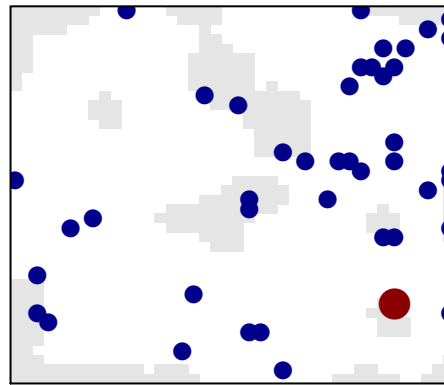
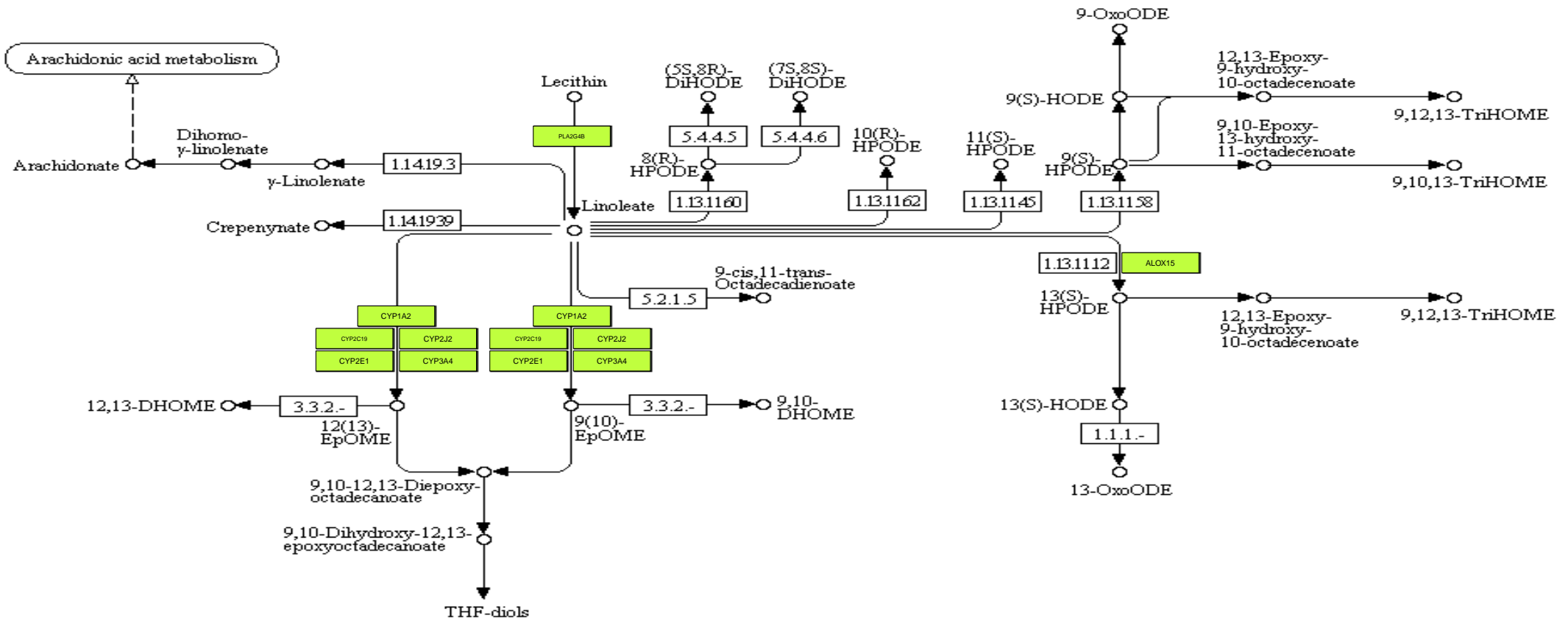


Linoleic acid metabolism

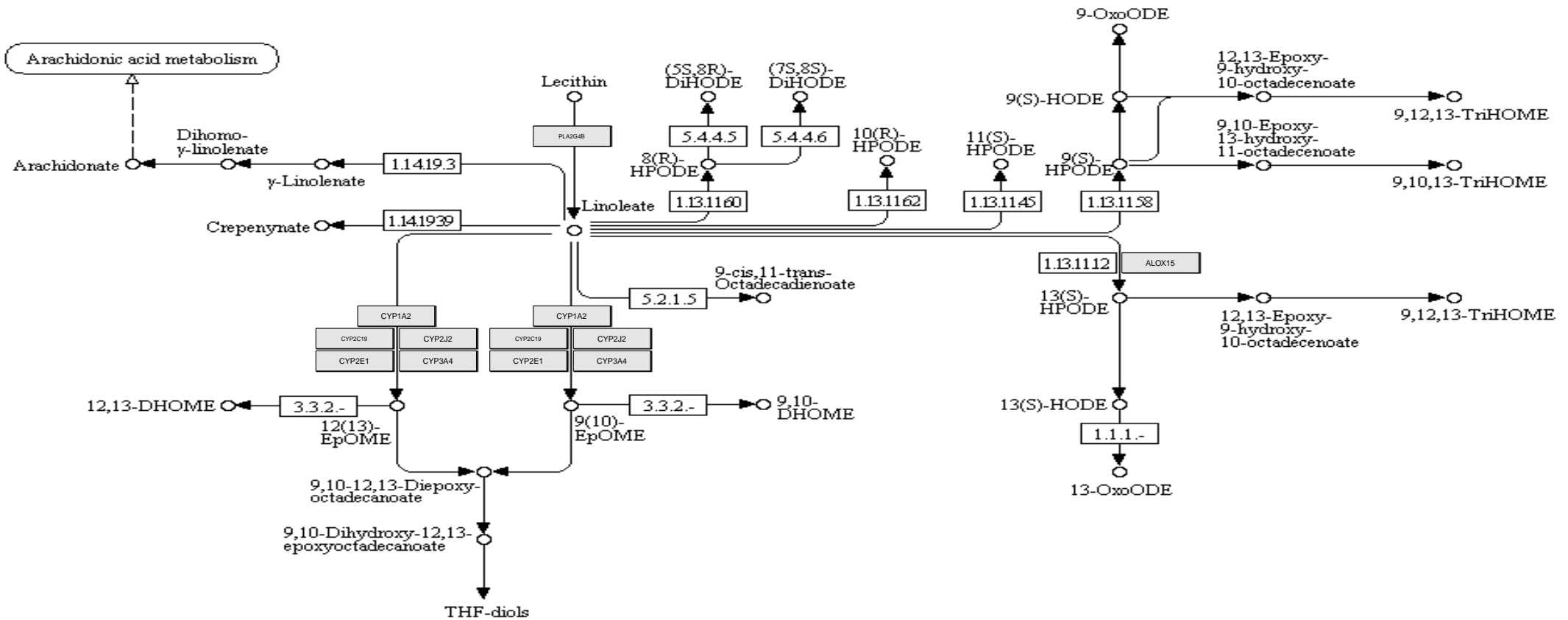
all genes



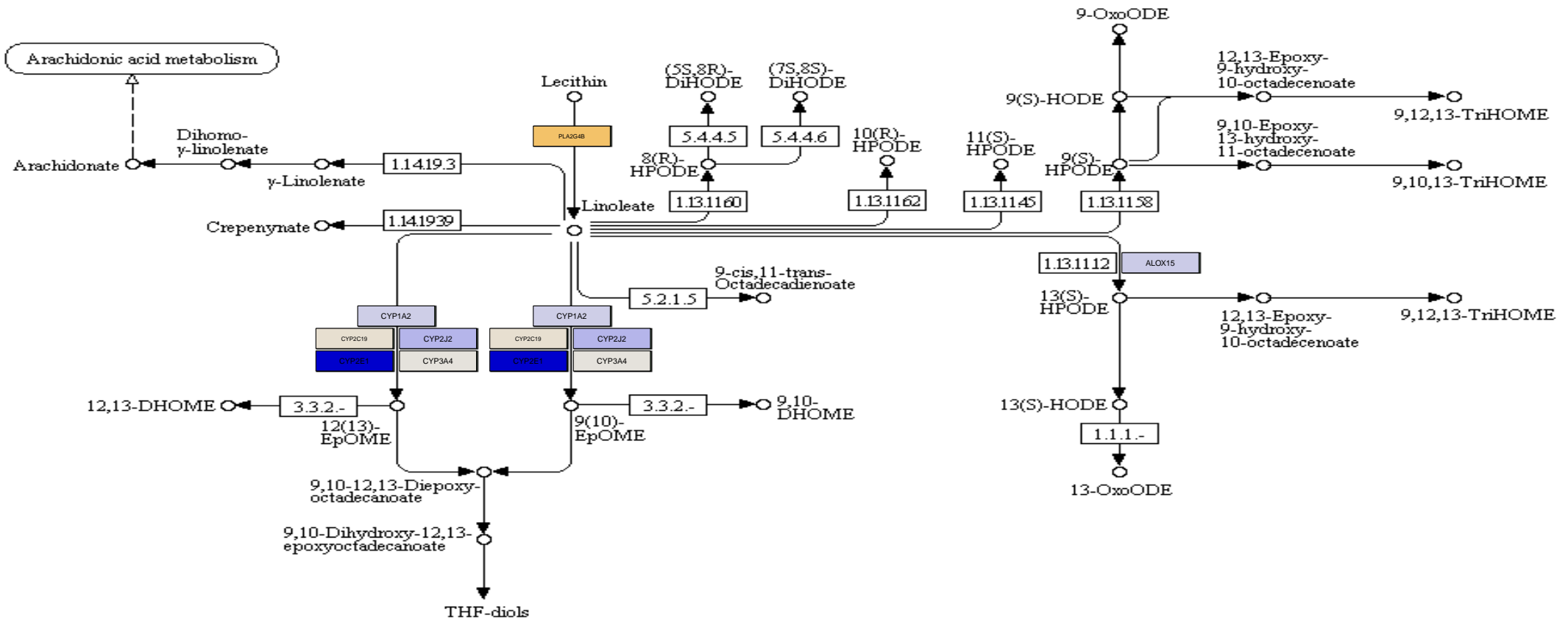
Linoleic_acid_metabolism
genes with data



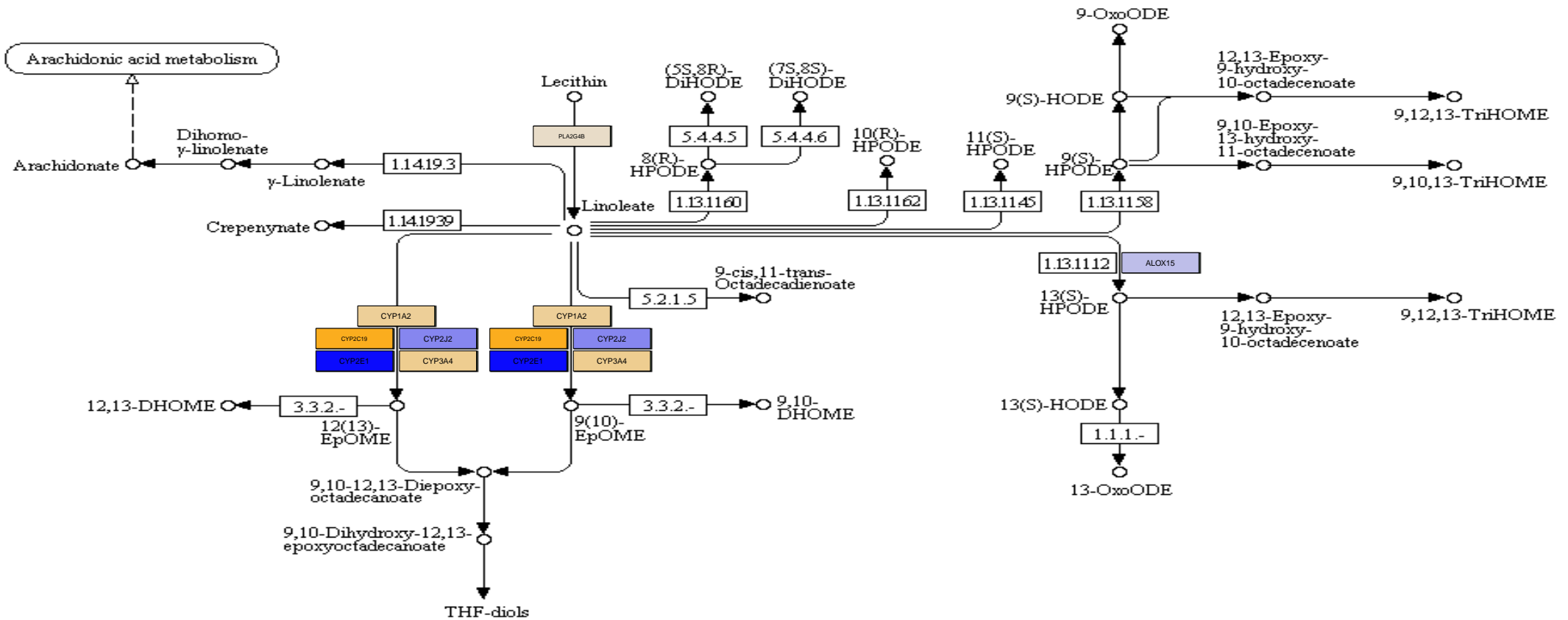
Linoleic_acid_metabolism
sink nodes



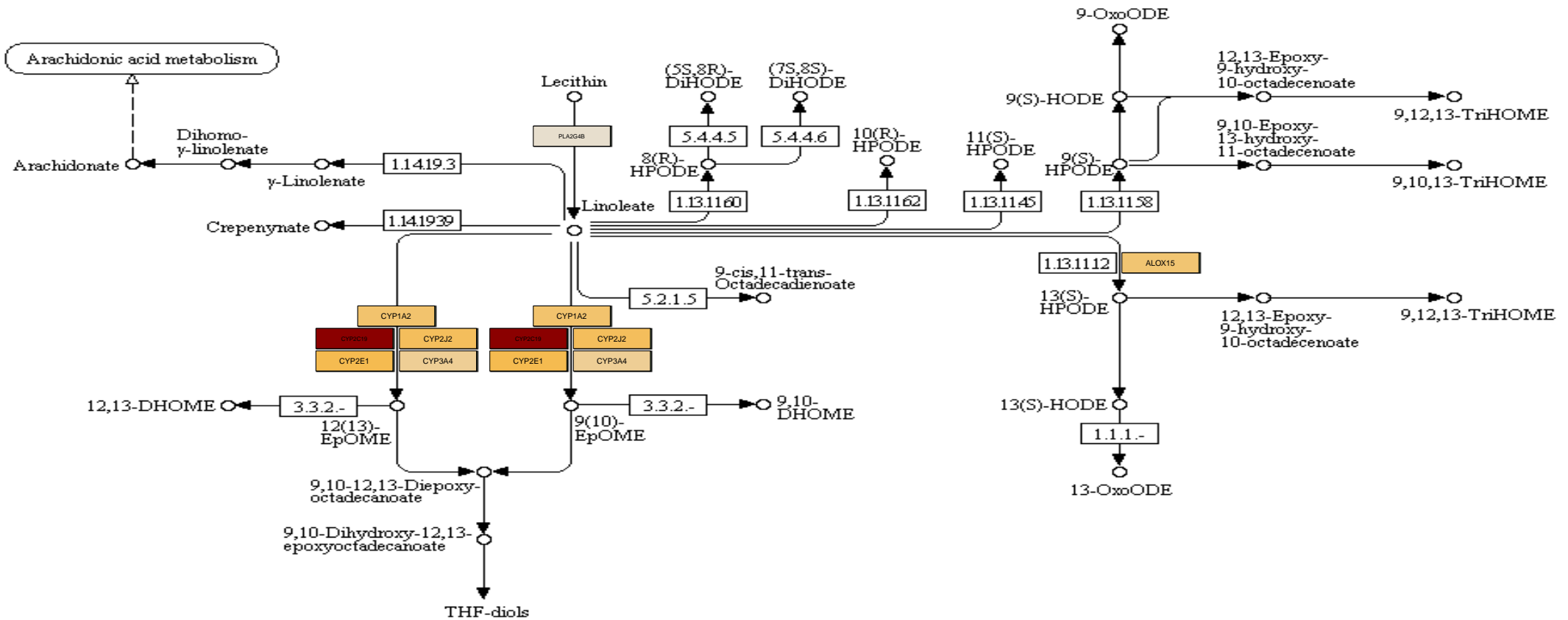
Linoleic_acid_metabolism
group 1



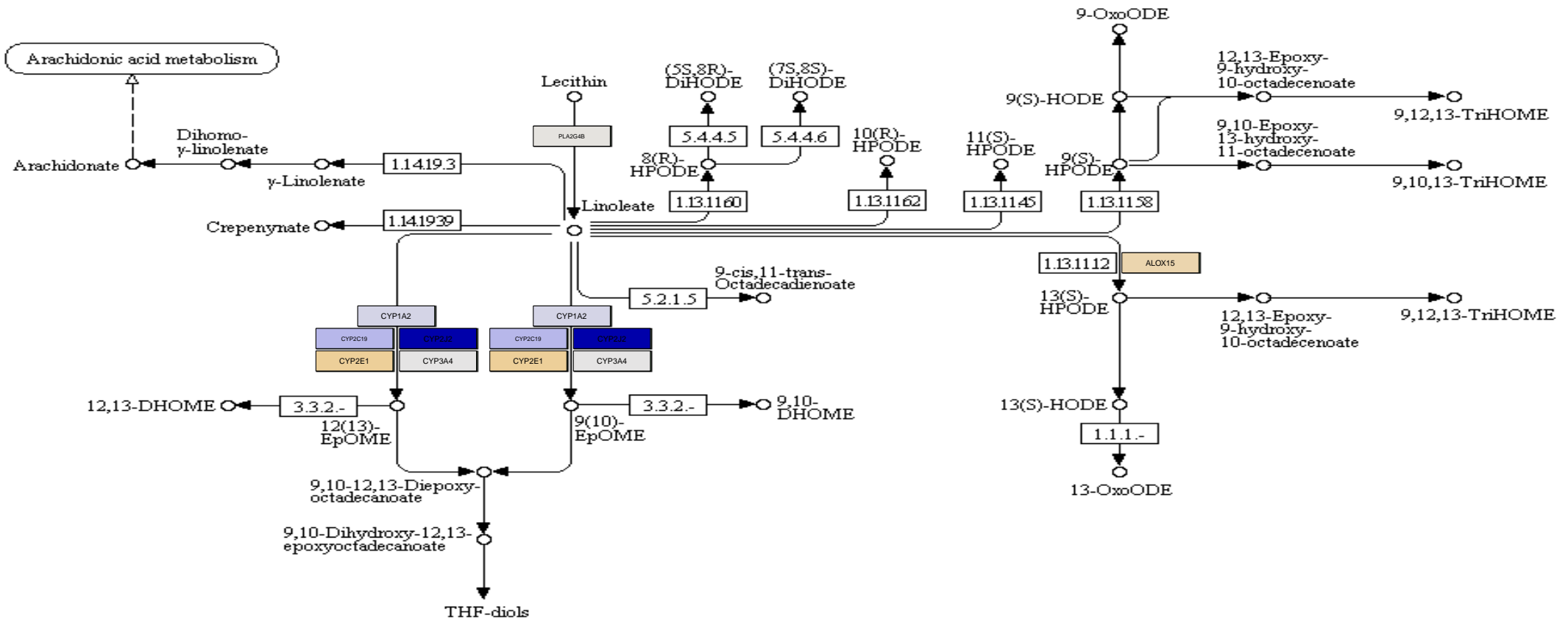
Linoleic_acid_metabolism
group 2



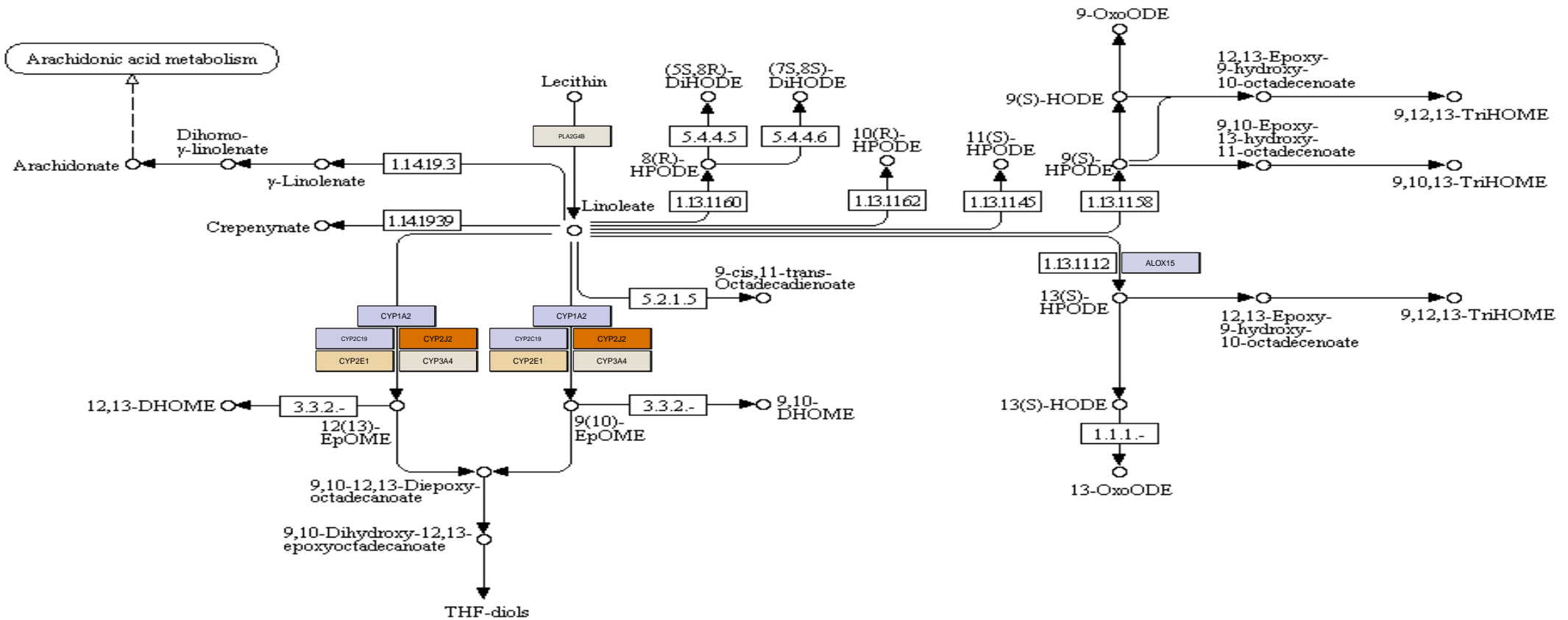
Linoleic_acid_metabolism
group 3



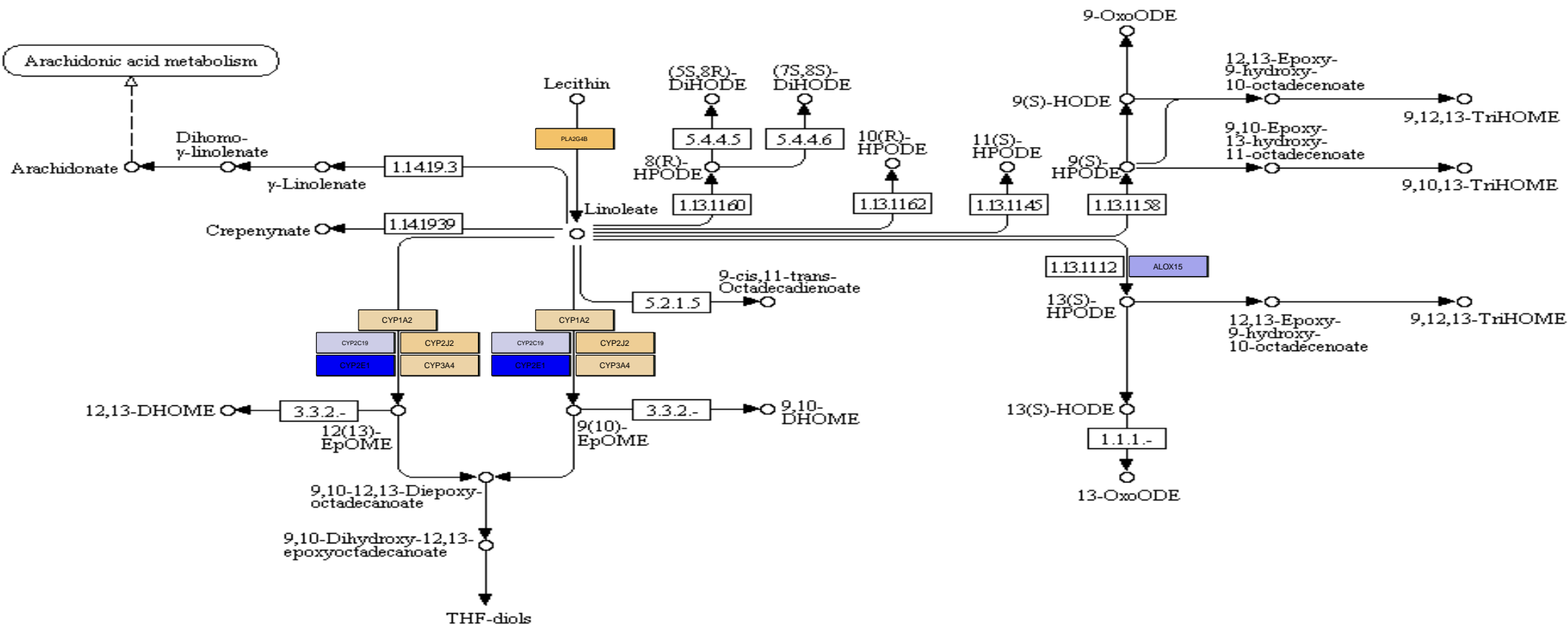
Linoleic_acid_metabolism
group 4



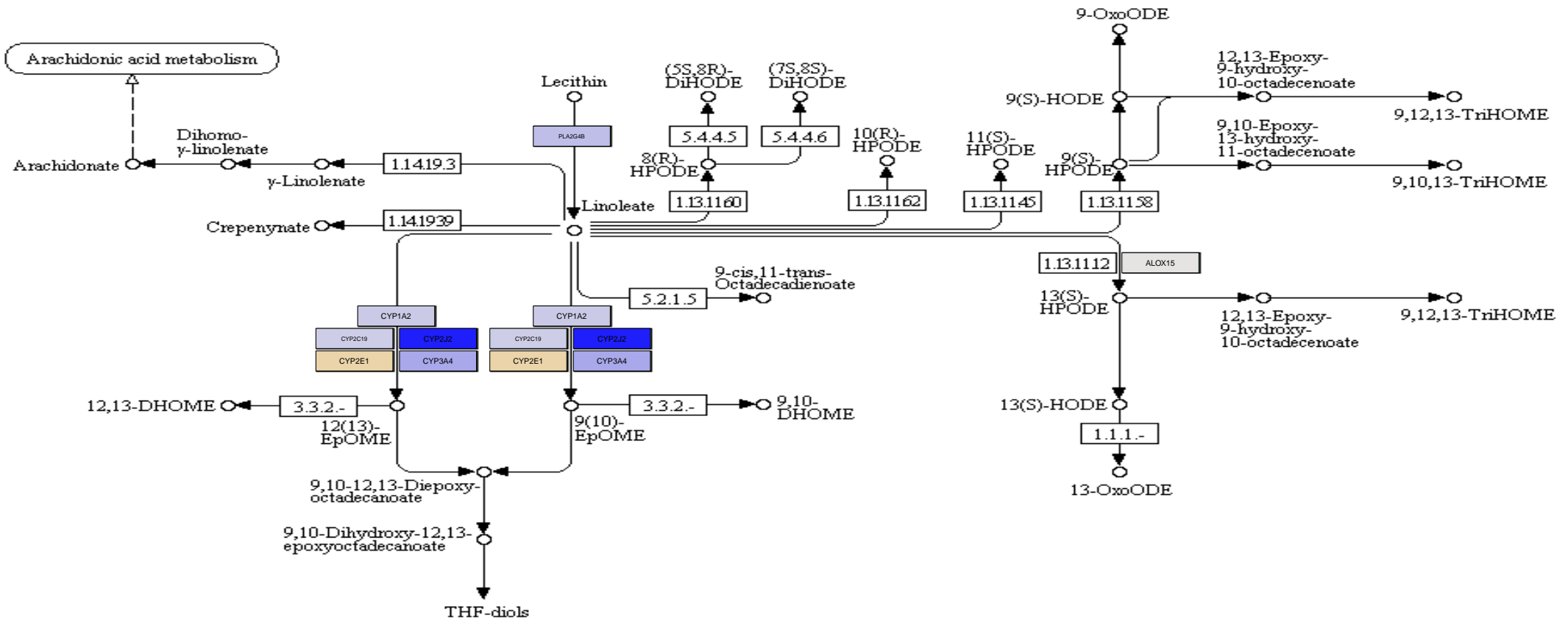
Linoleic_acid_metabolism
group 5



Linoleic_acid_metabolism
group 6



Linoleic_acid_metabolism
group 7



Linoleic_acid_metabolism
group 8

