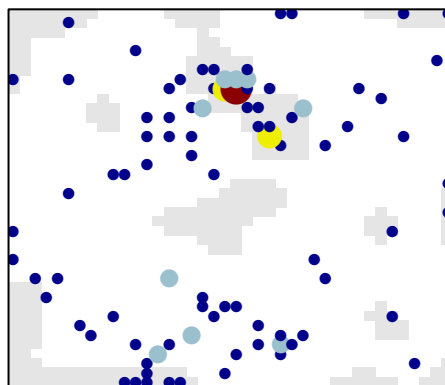
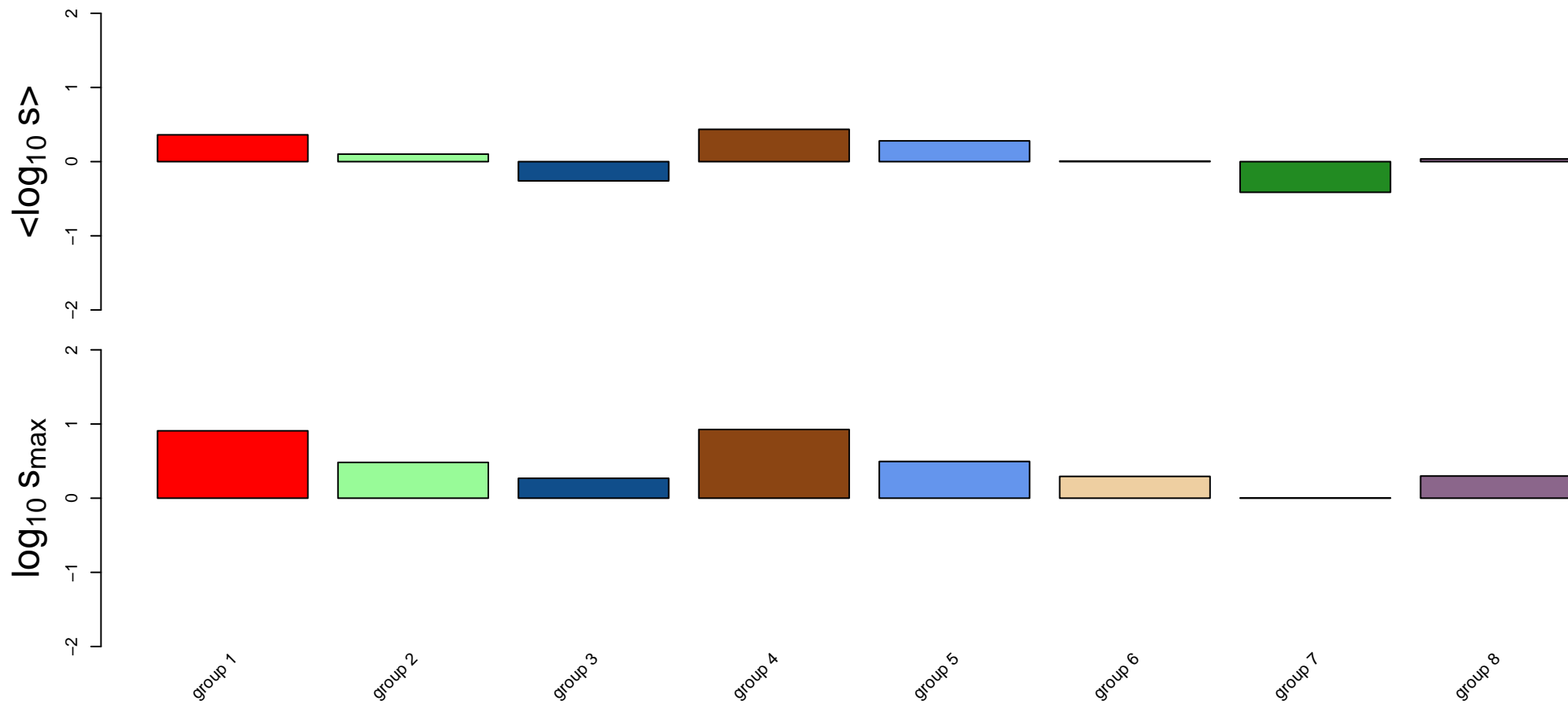
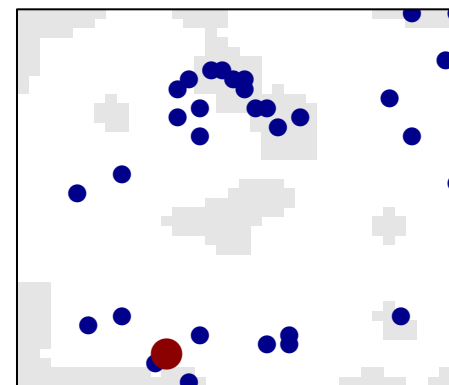


Legionellosis

all genes



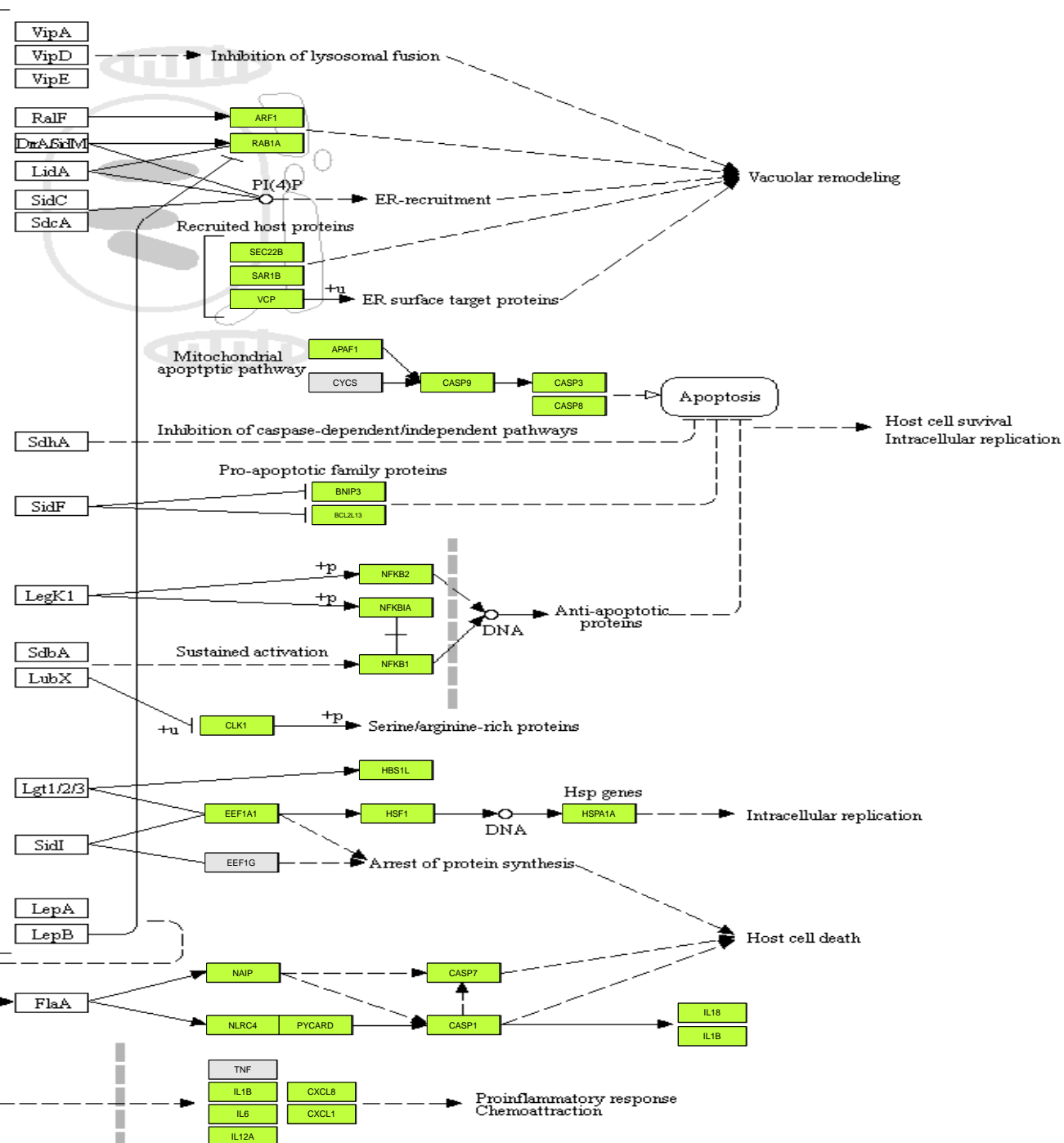
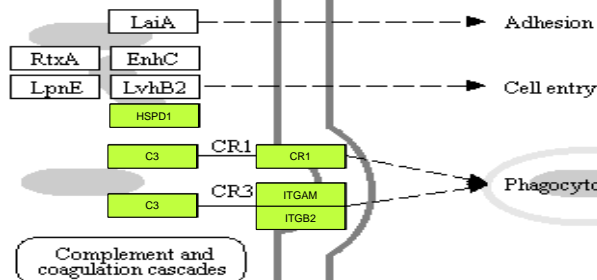
sink node genes



Legionellosis genes with data

Macrophage / Epithelial cell

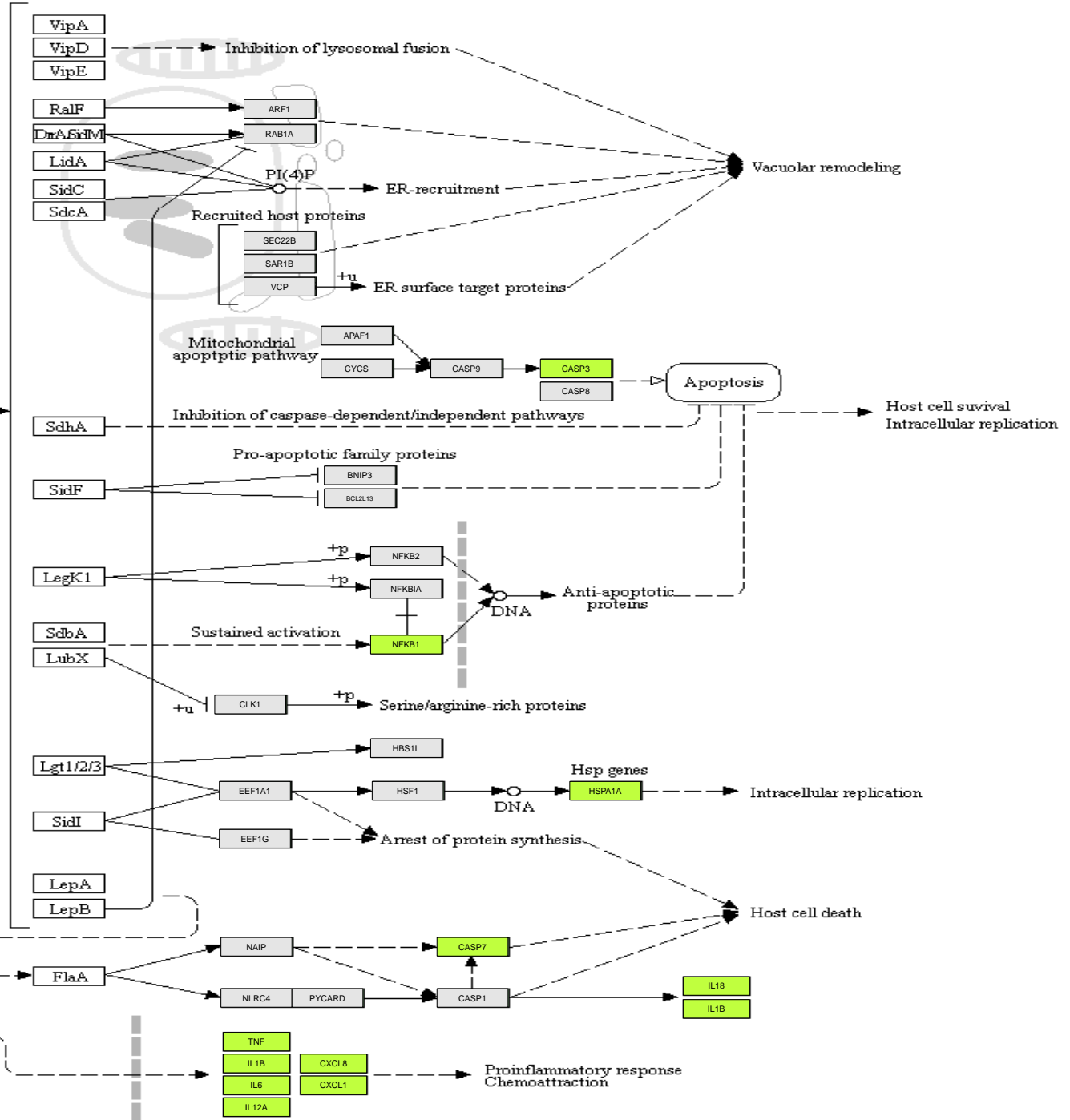
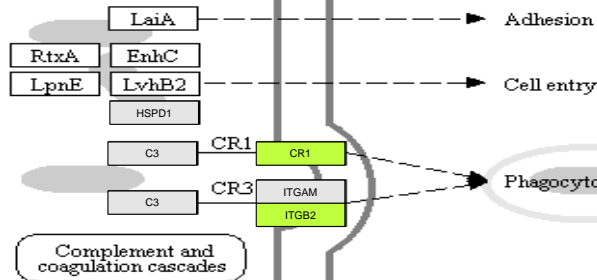
Legionella pneumophila
Legionella longbeachae



Legionellosis sink nodes

Macrophage / Epithelial cell

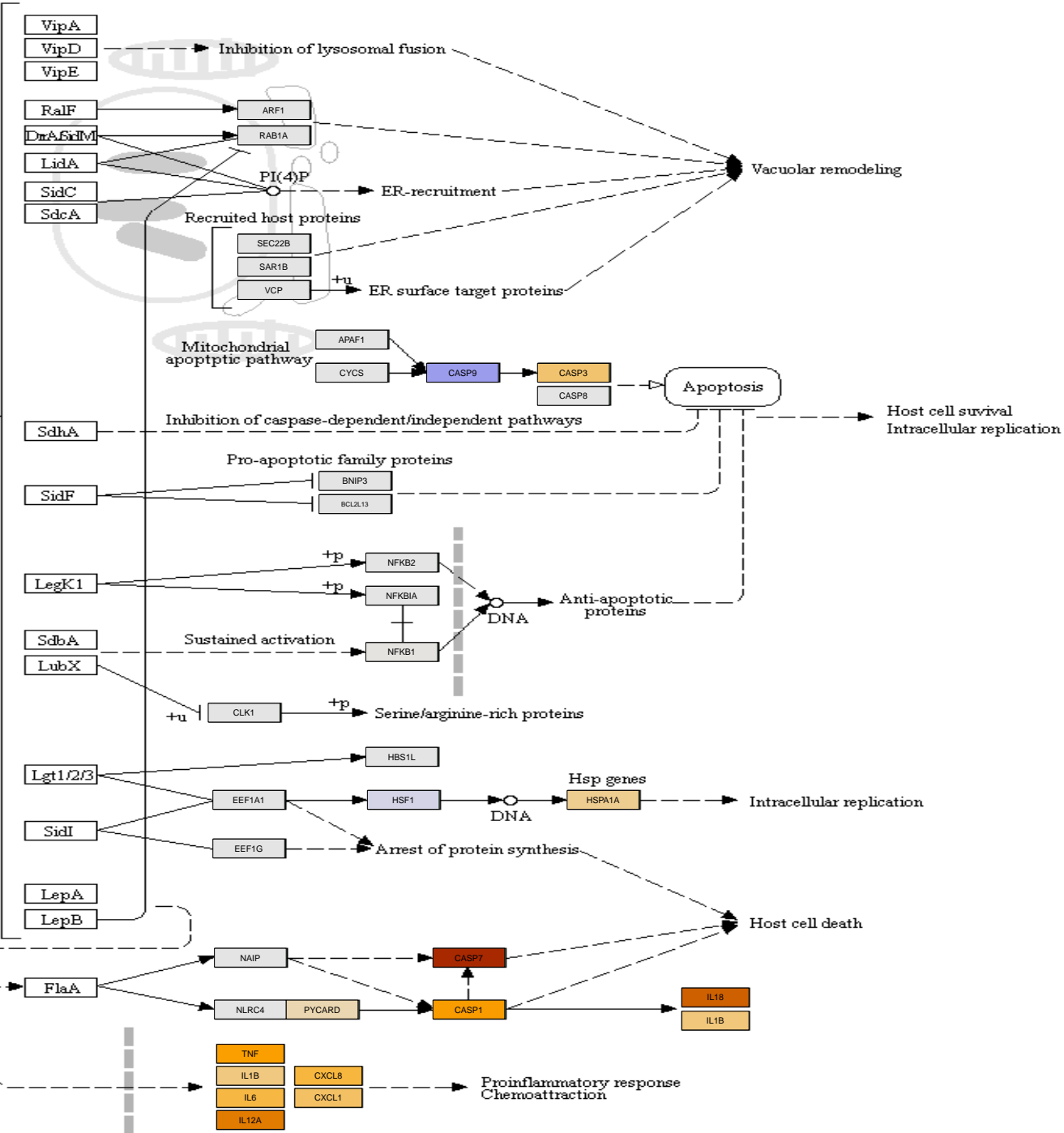
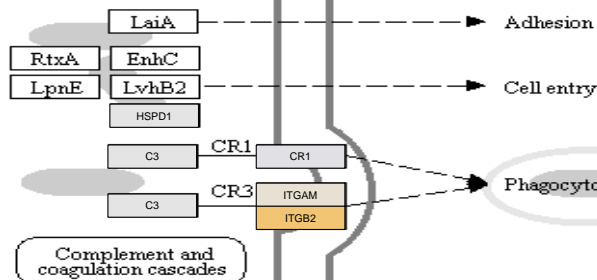
Legionella pneumophila
Legionella longbeachae



Legionellosis group 1

Macrophage / Epithelial cell

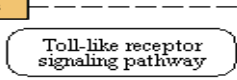
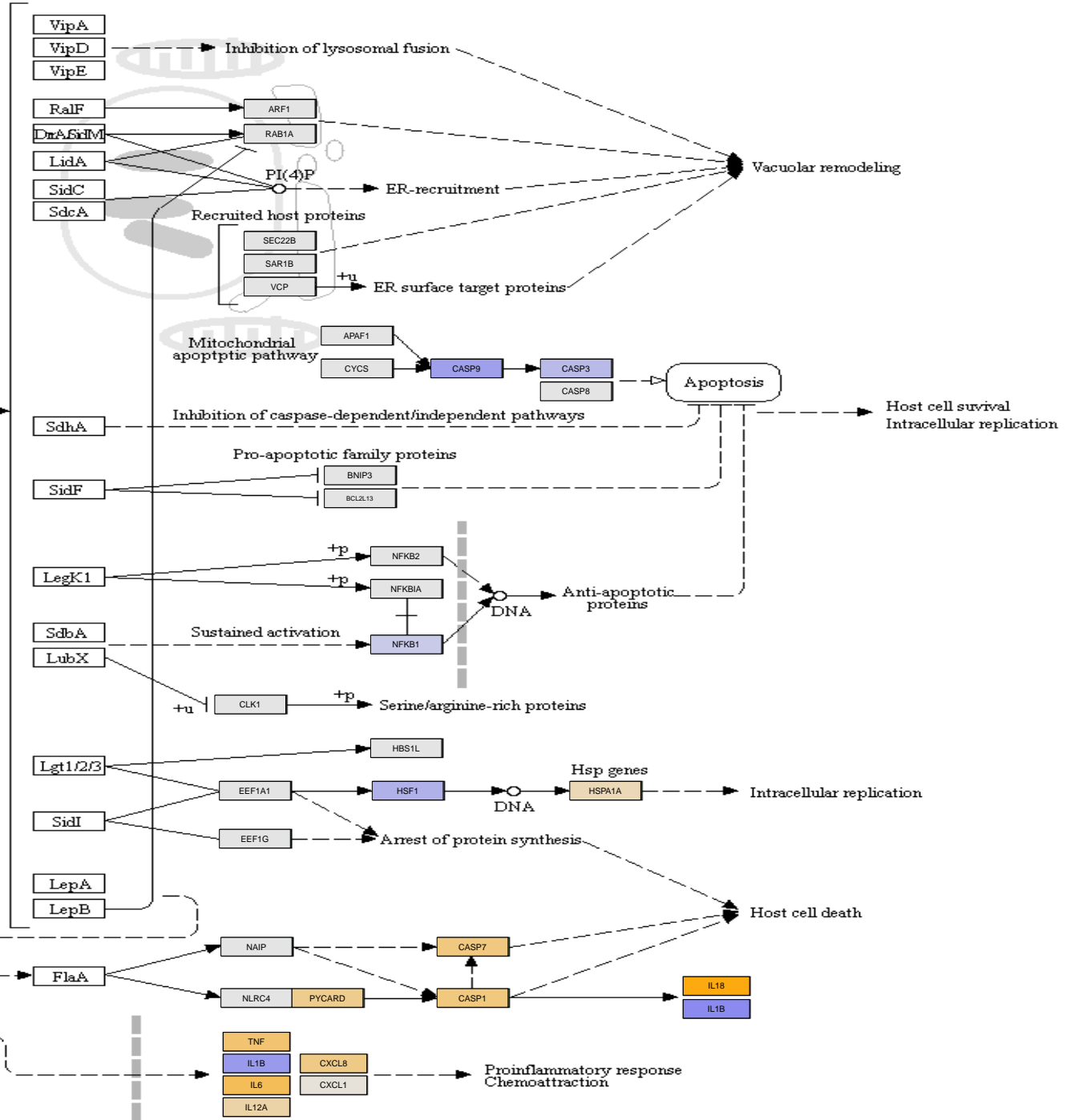
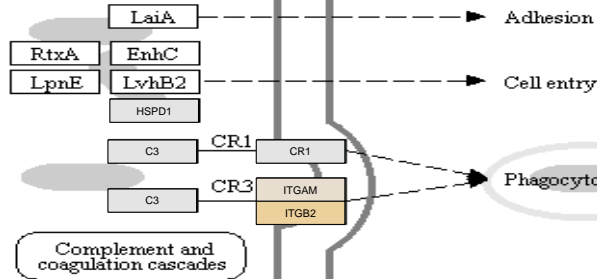
Legionella pneumophila
Legionella longbeachae



Legionellosis group 2

Macrophage / Epithelial cell

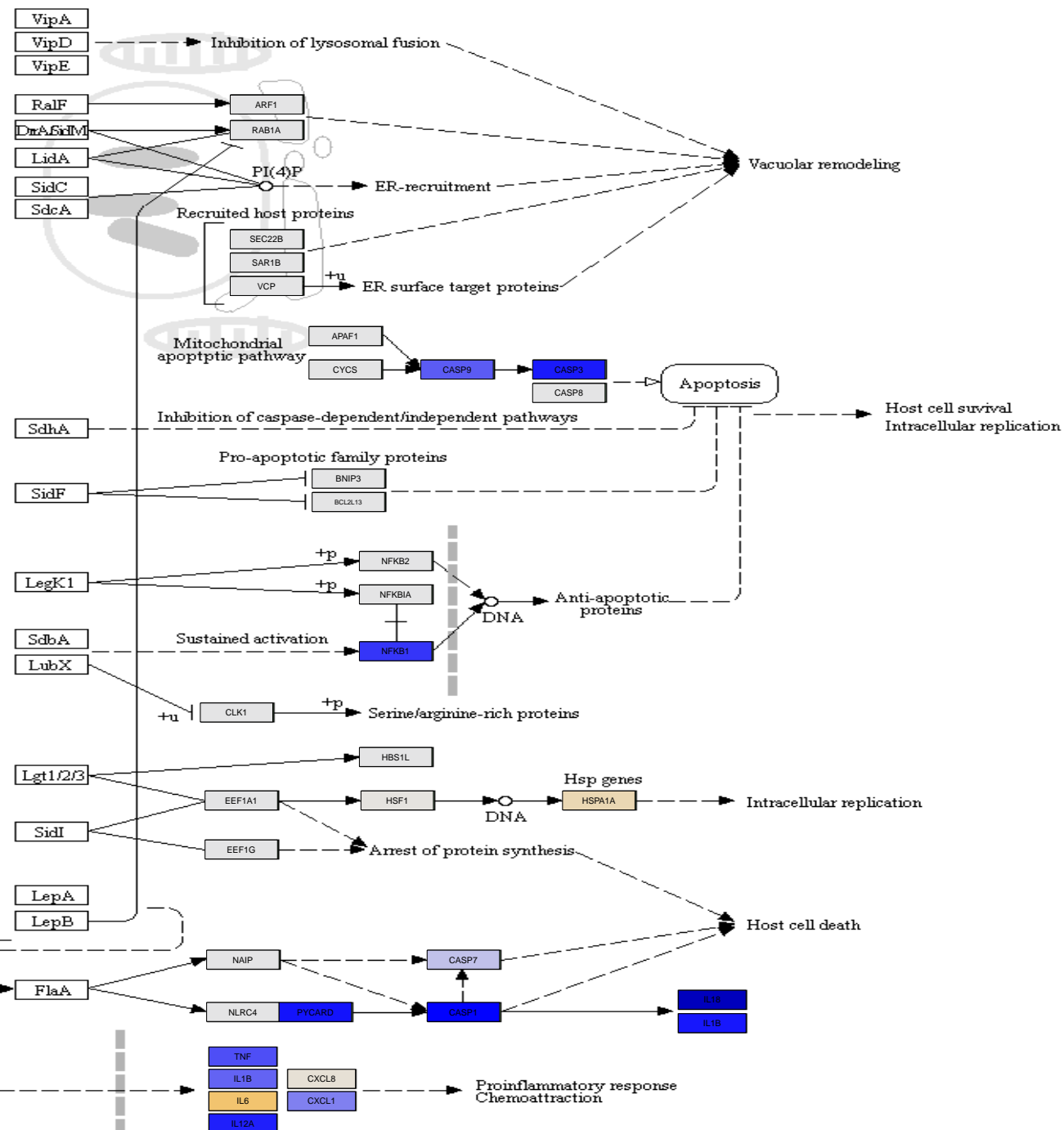
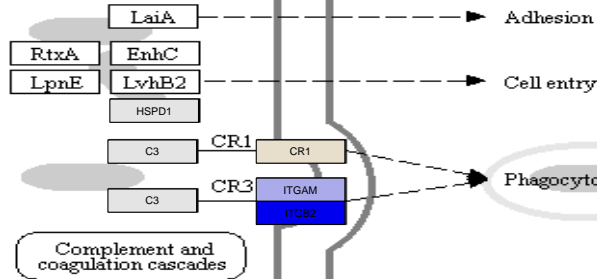
Legionella pneumophila
Legionella longbeachae



Legionellosis group 3

Macrophage / Epithelial cell

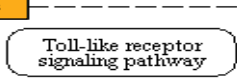
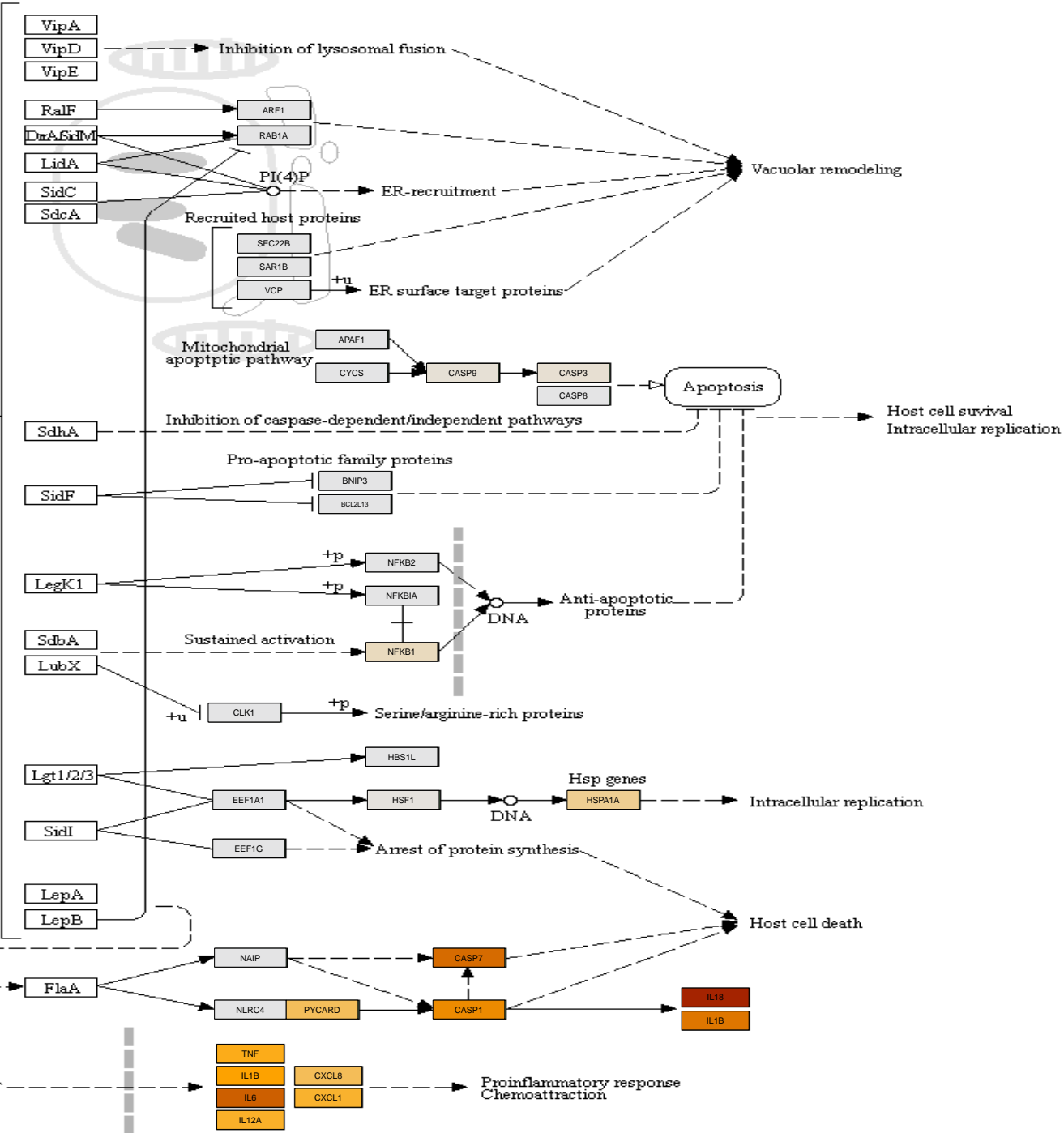
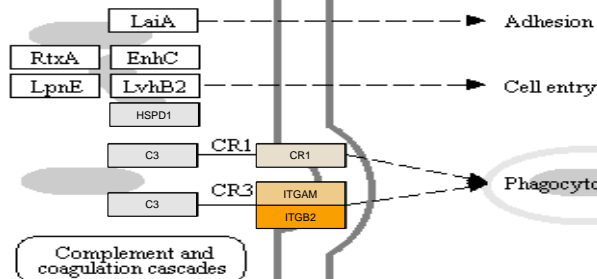
Legionella pneumophila
Legionella longbeachae



Legionellosis group 4

Macrophage / Epithelial cell

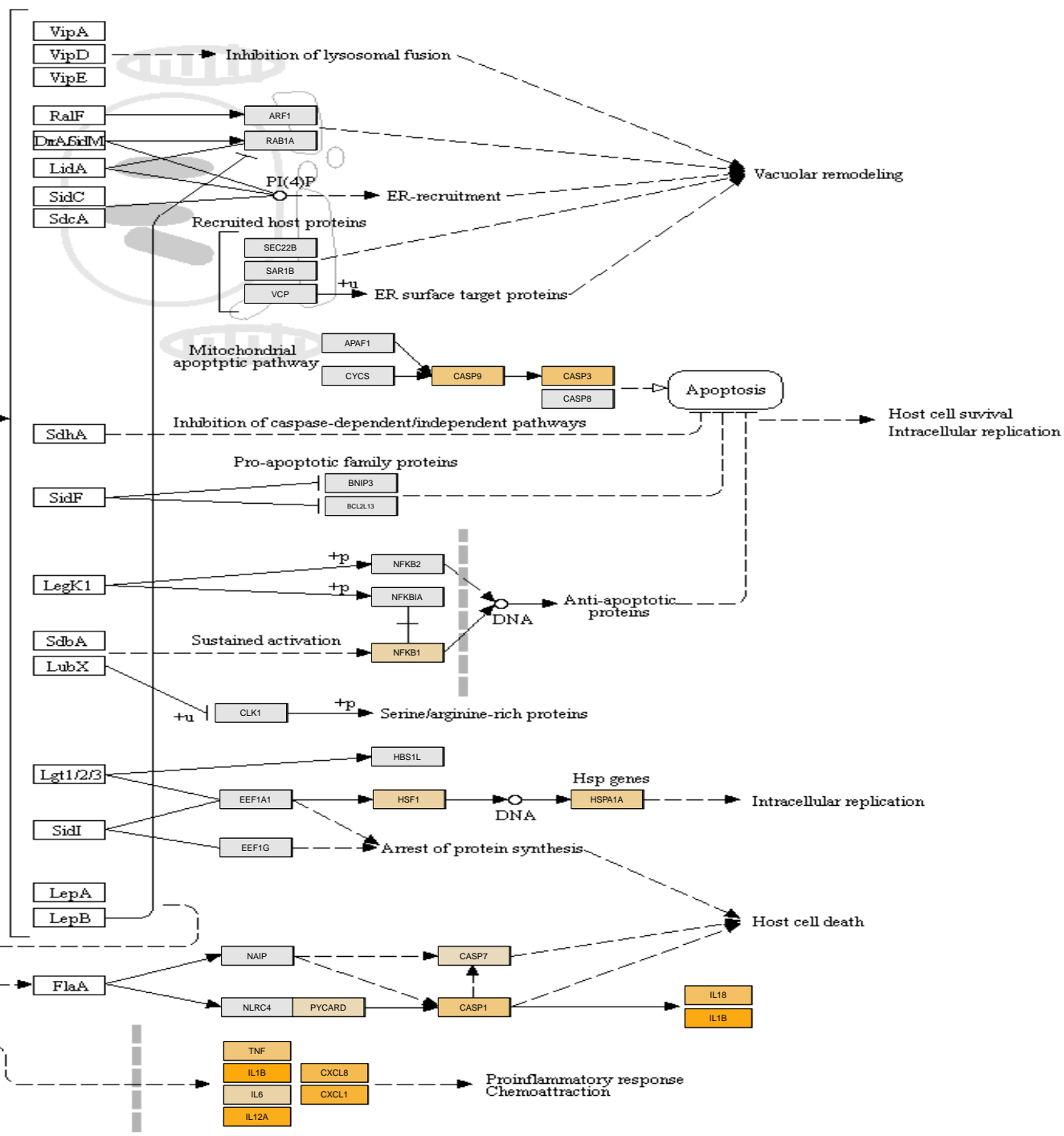
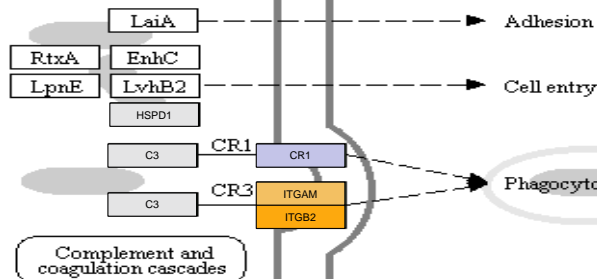
Legionella pneumophila
Legionella longbeachae



Legionellosis group 5

Macrophage / Epithelial cell

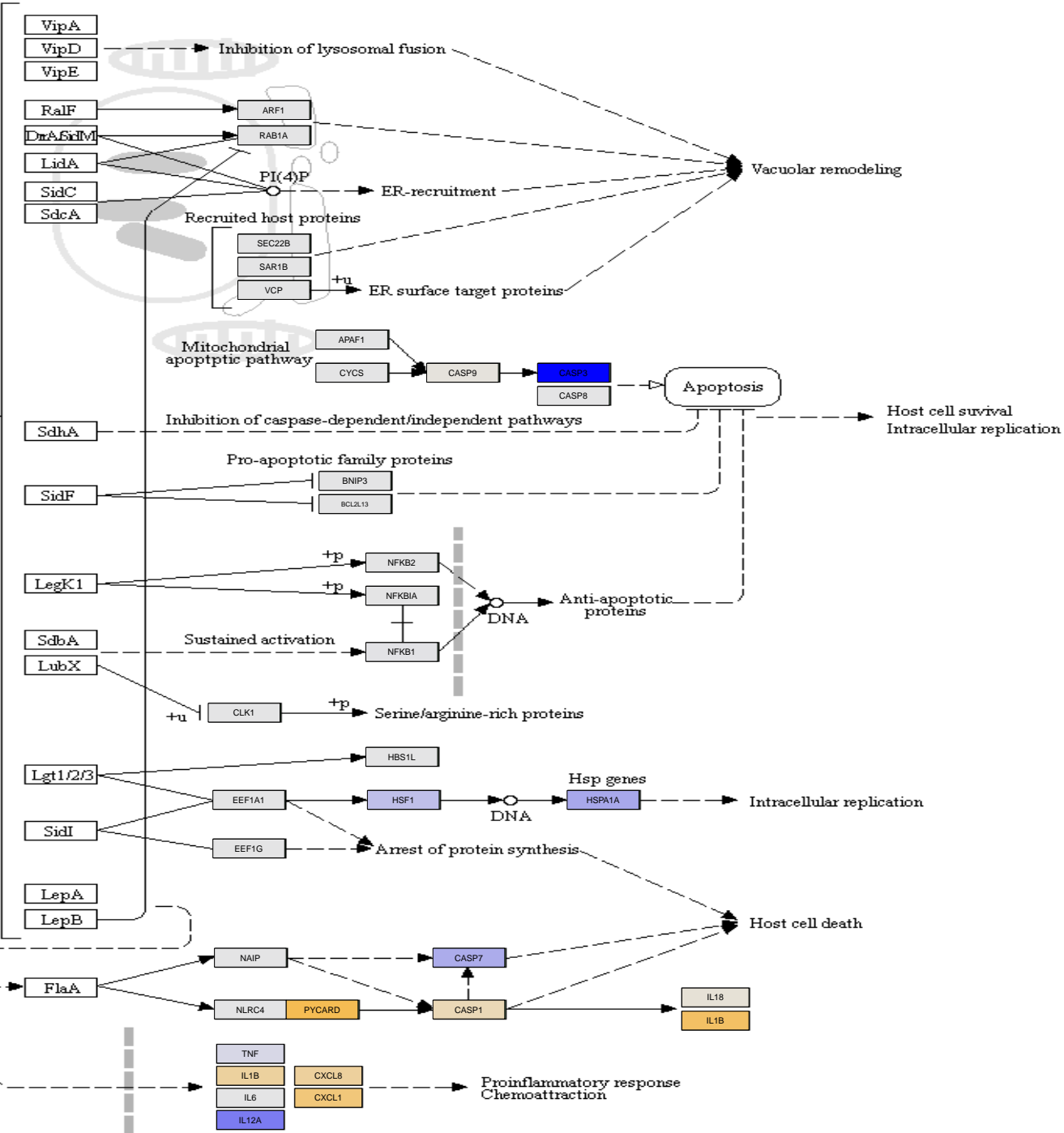
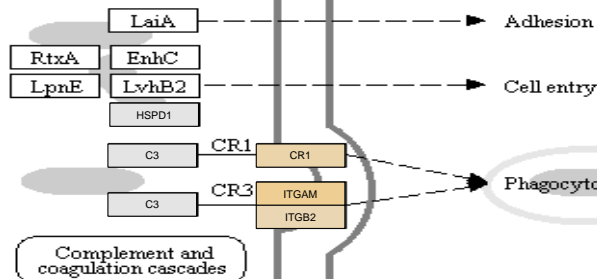
Legionella pneumophila
Legionella longbeachae



Legionellosis group 6

Macrophage / Epithelial cell

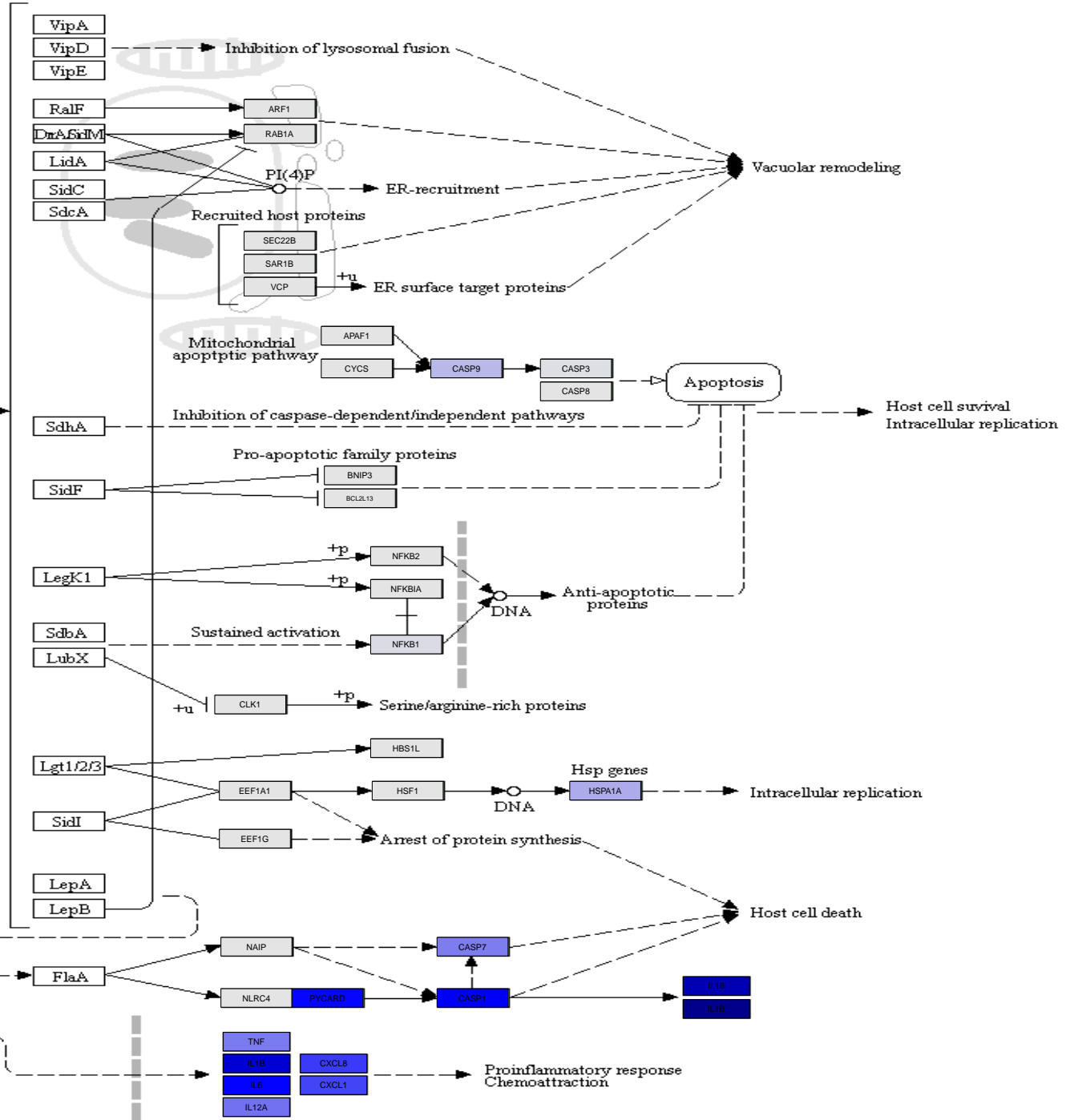
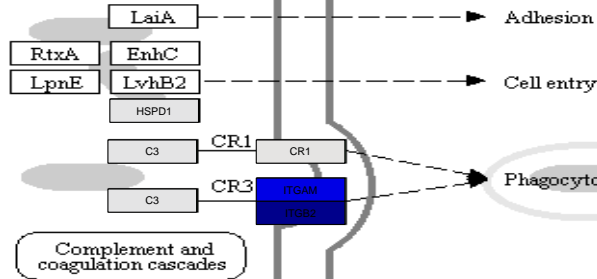
Legionella pneumophila
Legionella longbeachae



Legionellosis group 7

Macrophage / Epithelial cell

Legionella pneumophila
Legionella longbeachae



Legionellosis group 8

Macrophage / Epithelial cell

Legionella pneumophila
Legionella longbeachae

