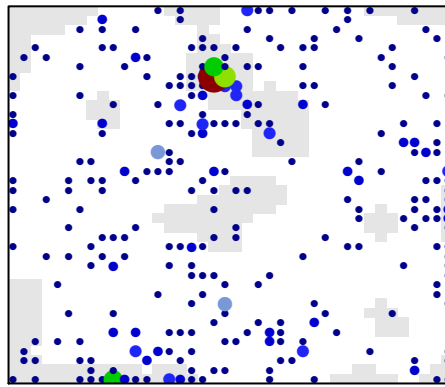


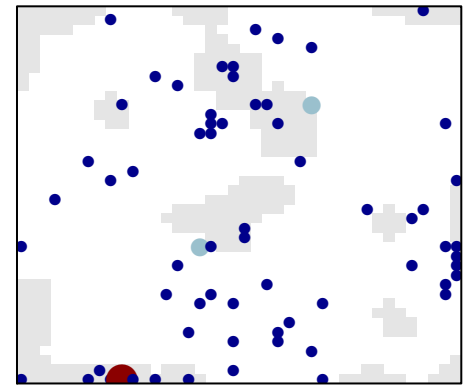
Influenza A

all genes

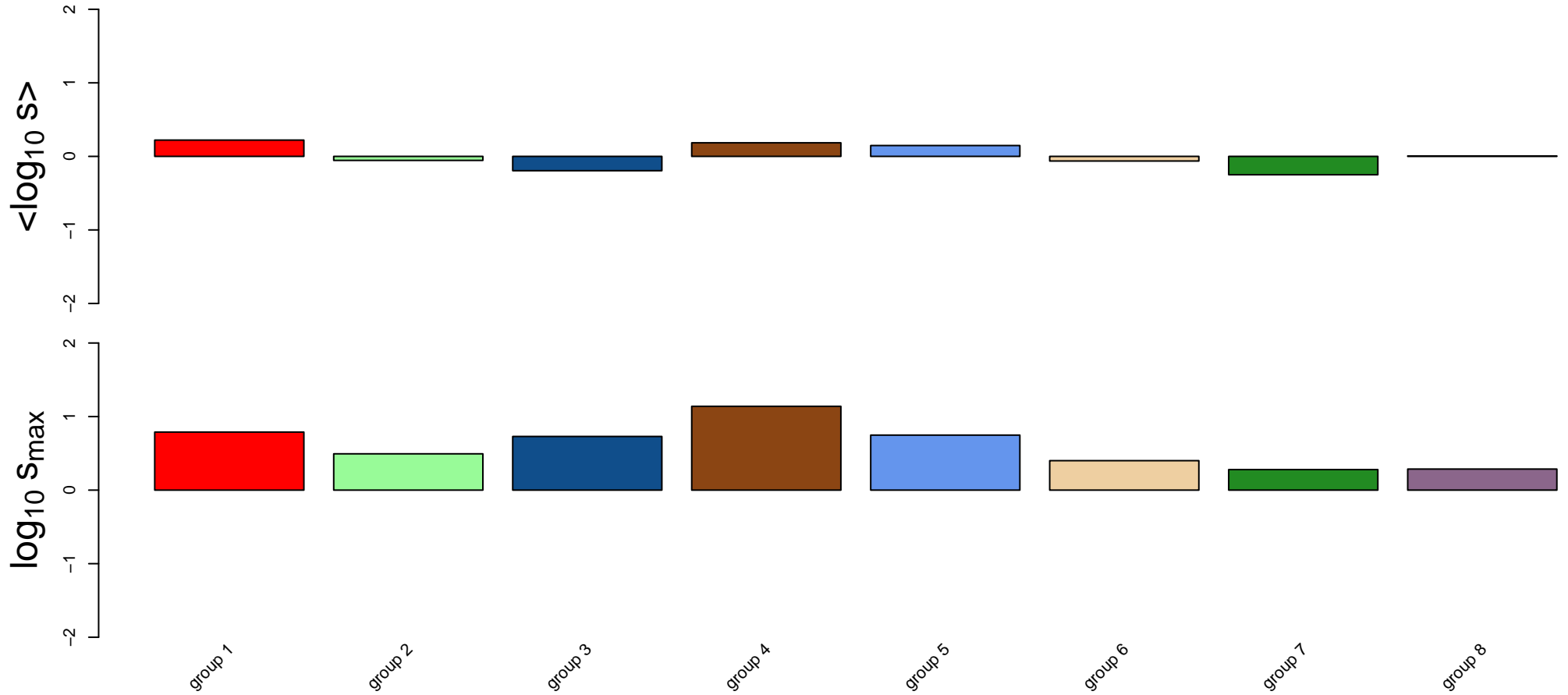


maximum = 11

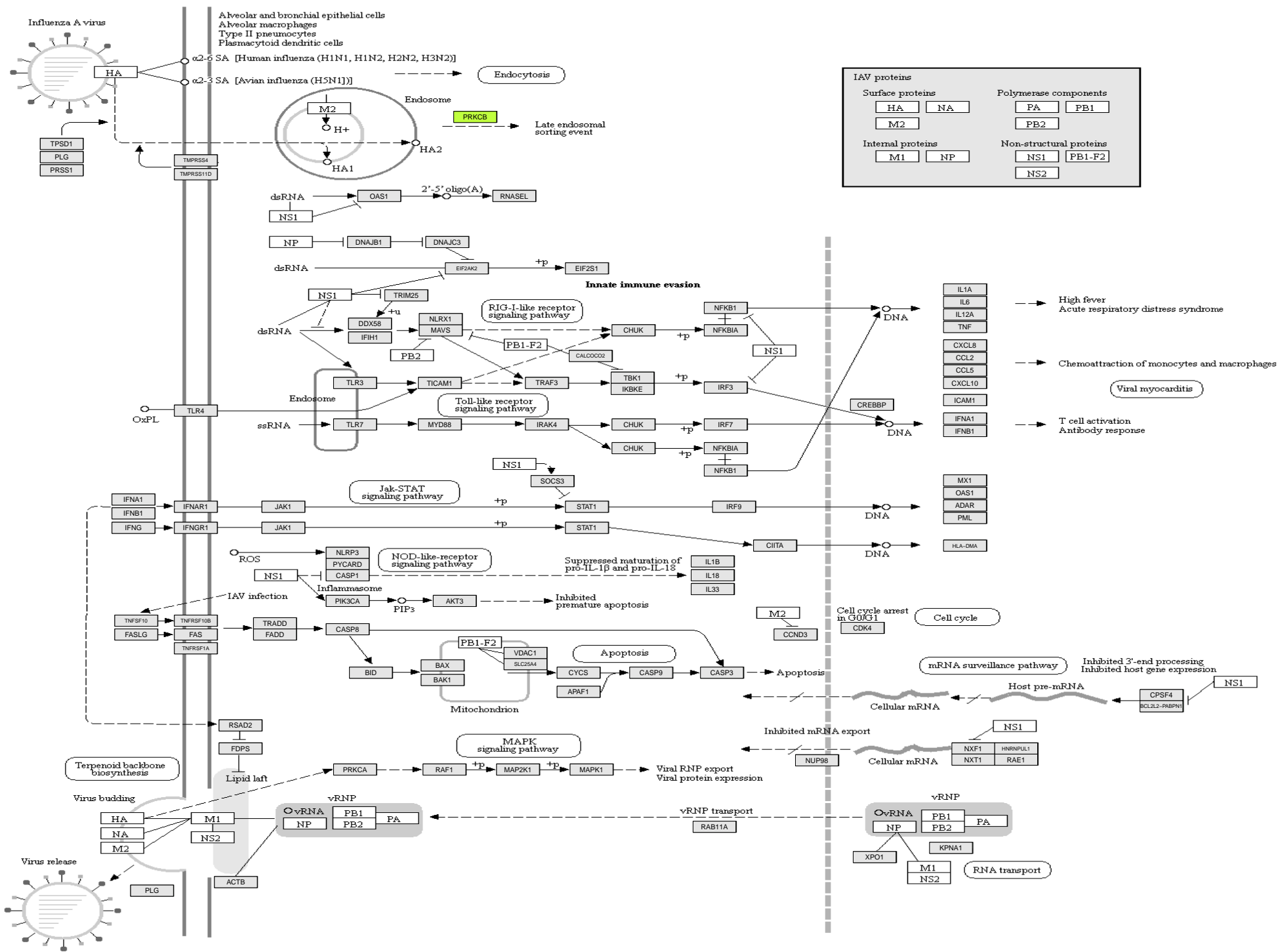
sink node genes



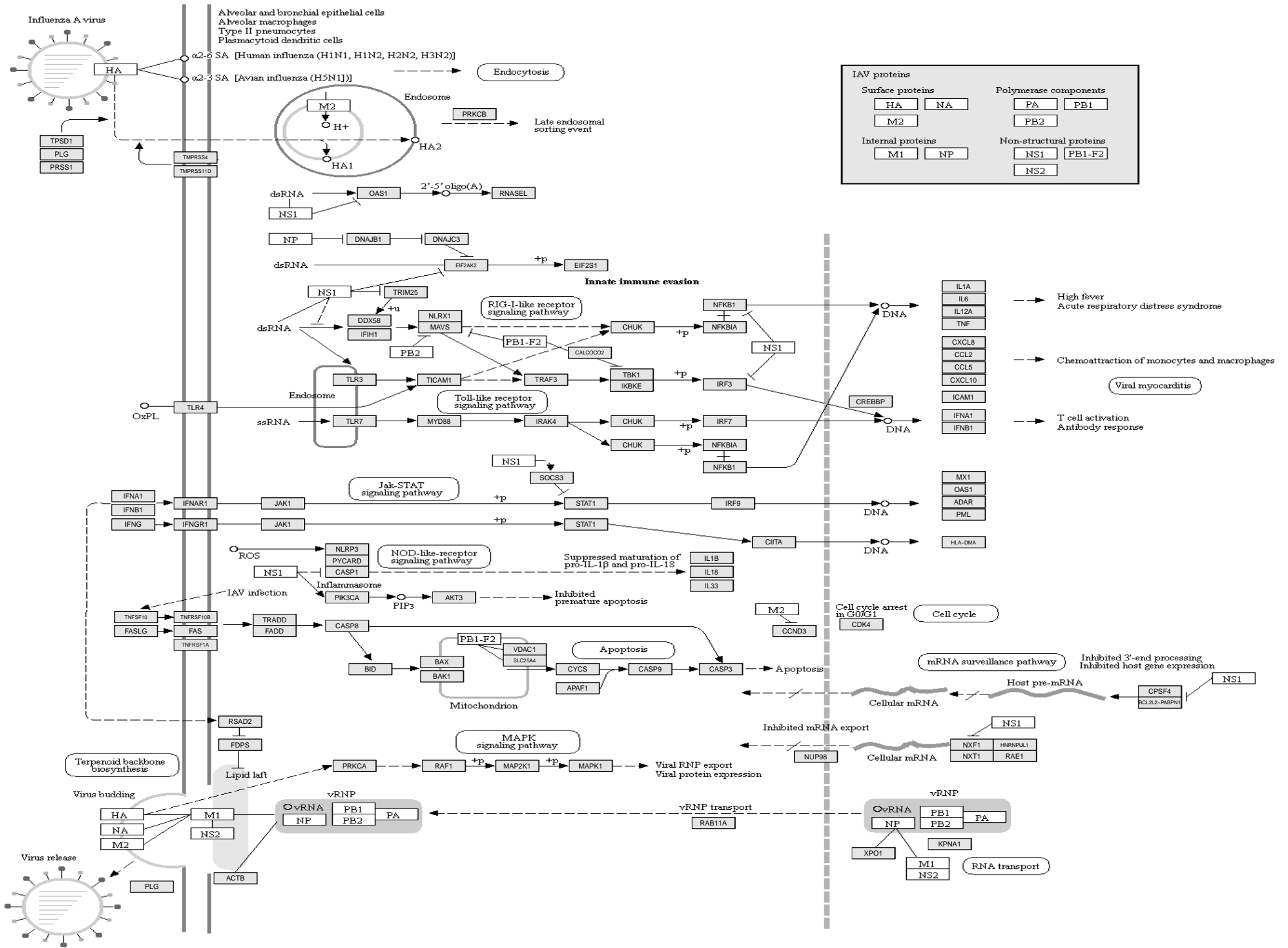
maximum = 4



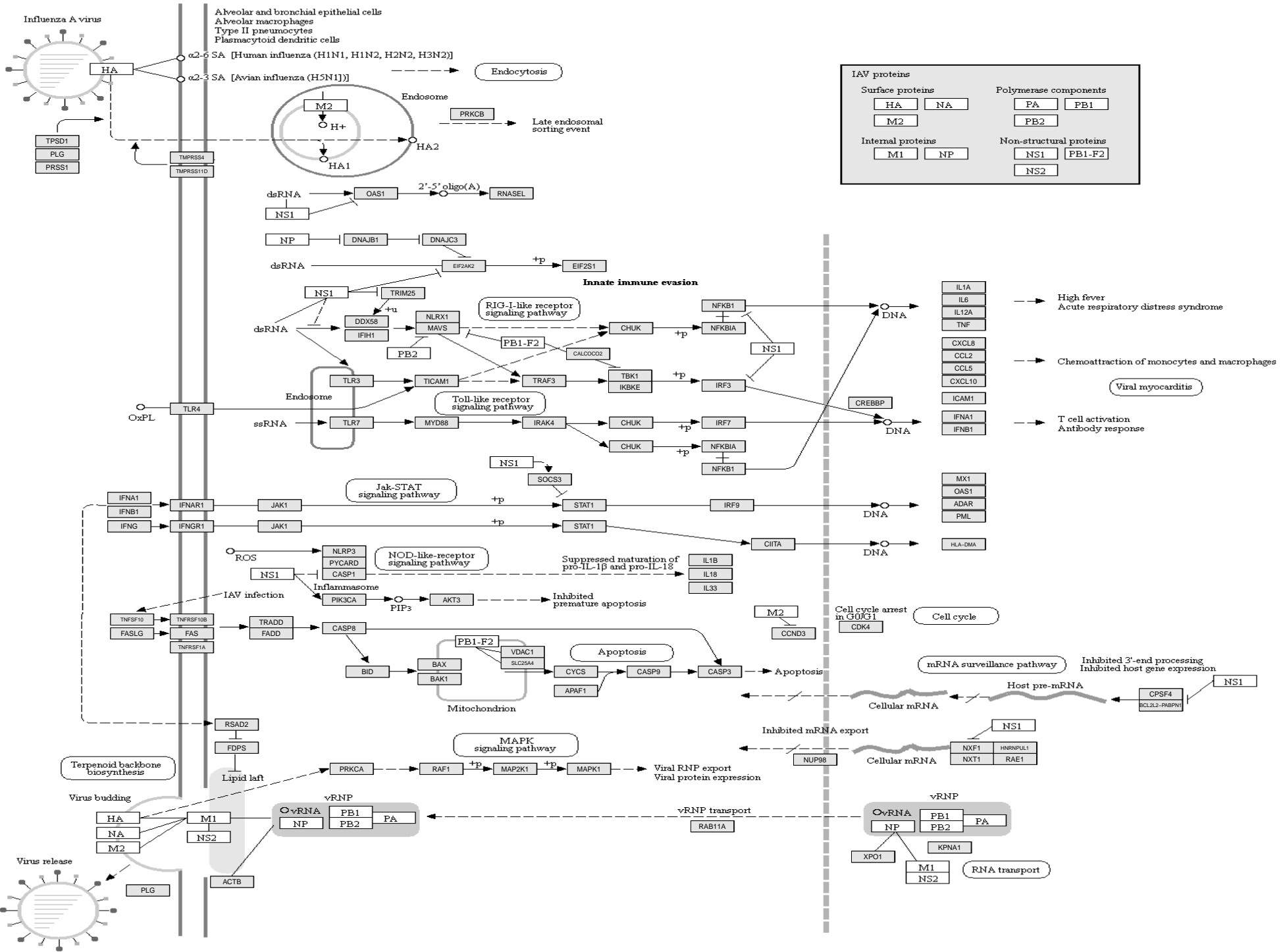
Influenza_A genes with data



Influenza_A
sink nodes

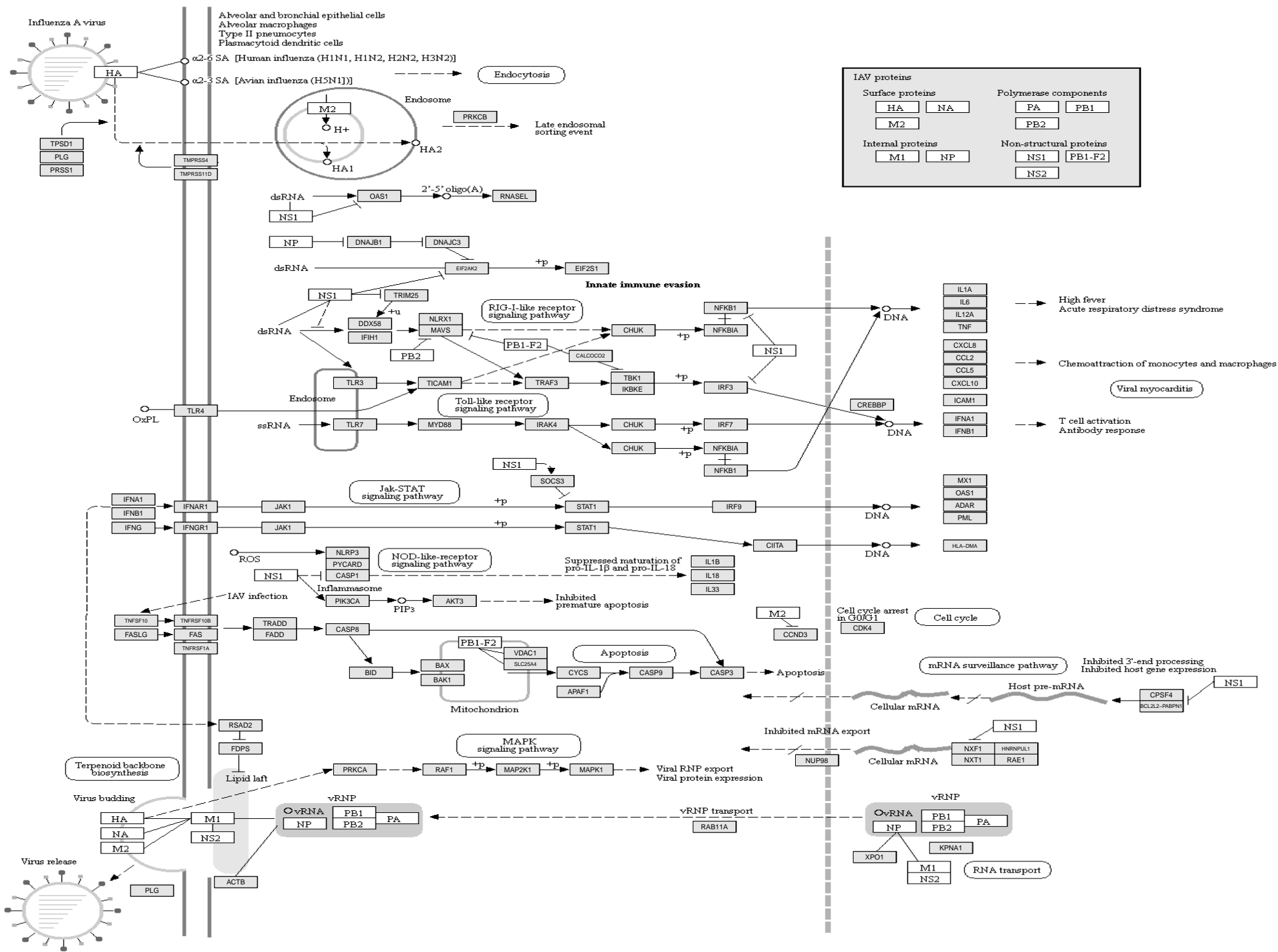


Influenza_A group 1

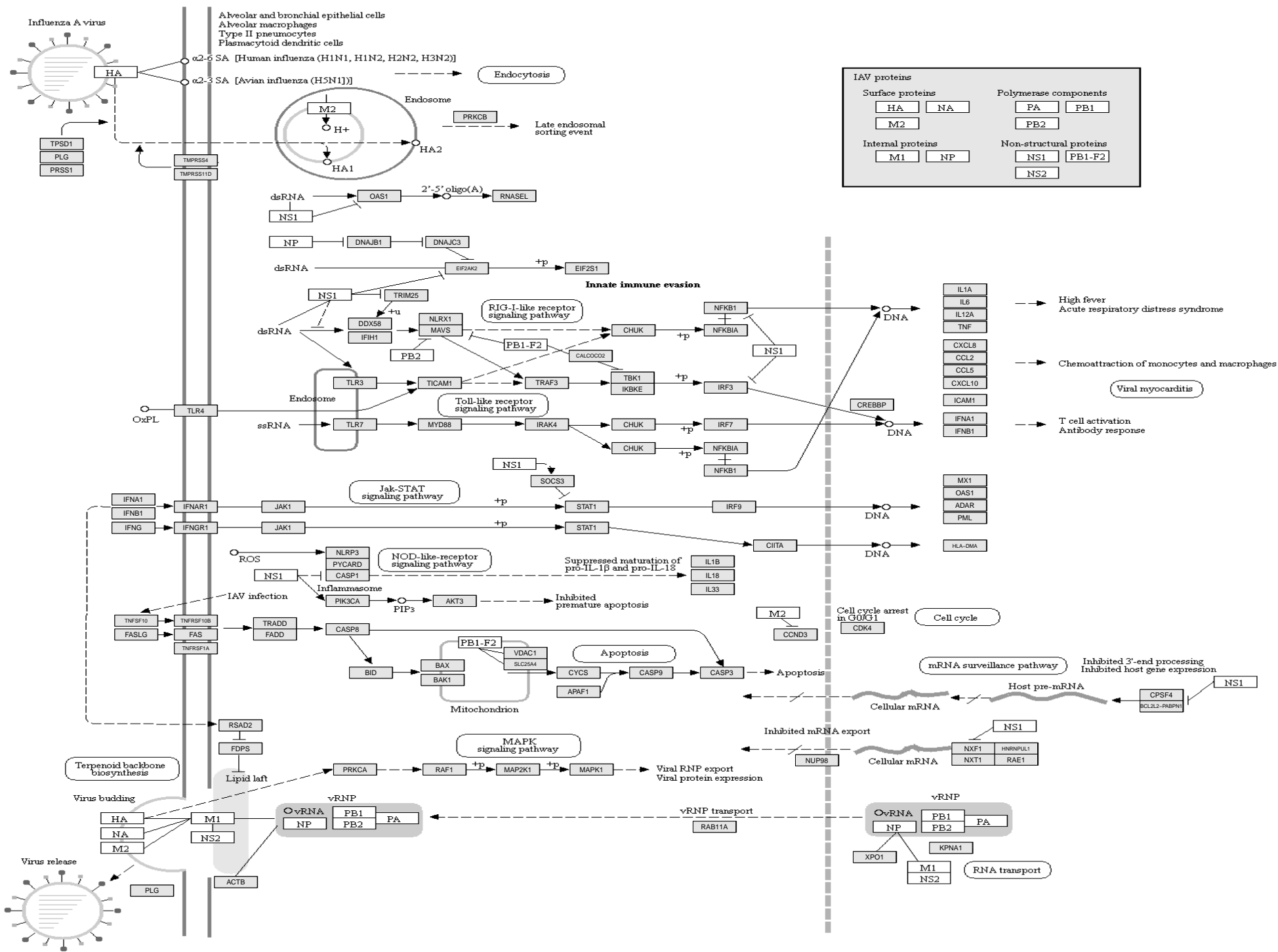


IAV proteins			
Surface proteins		Polymerase components	
HA	NA	PA	PB1
M2		PB2	
Internal proteins		Non-structural proteins	
M1	NP	NS1	PB1-F2
		NS2	

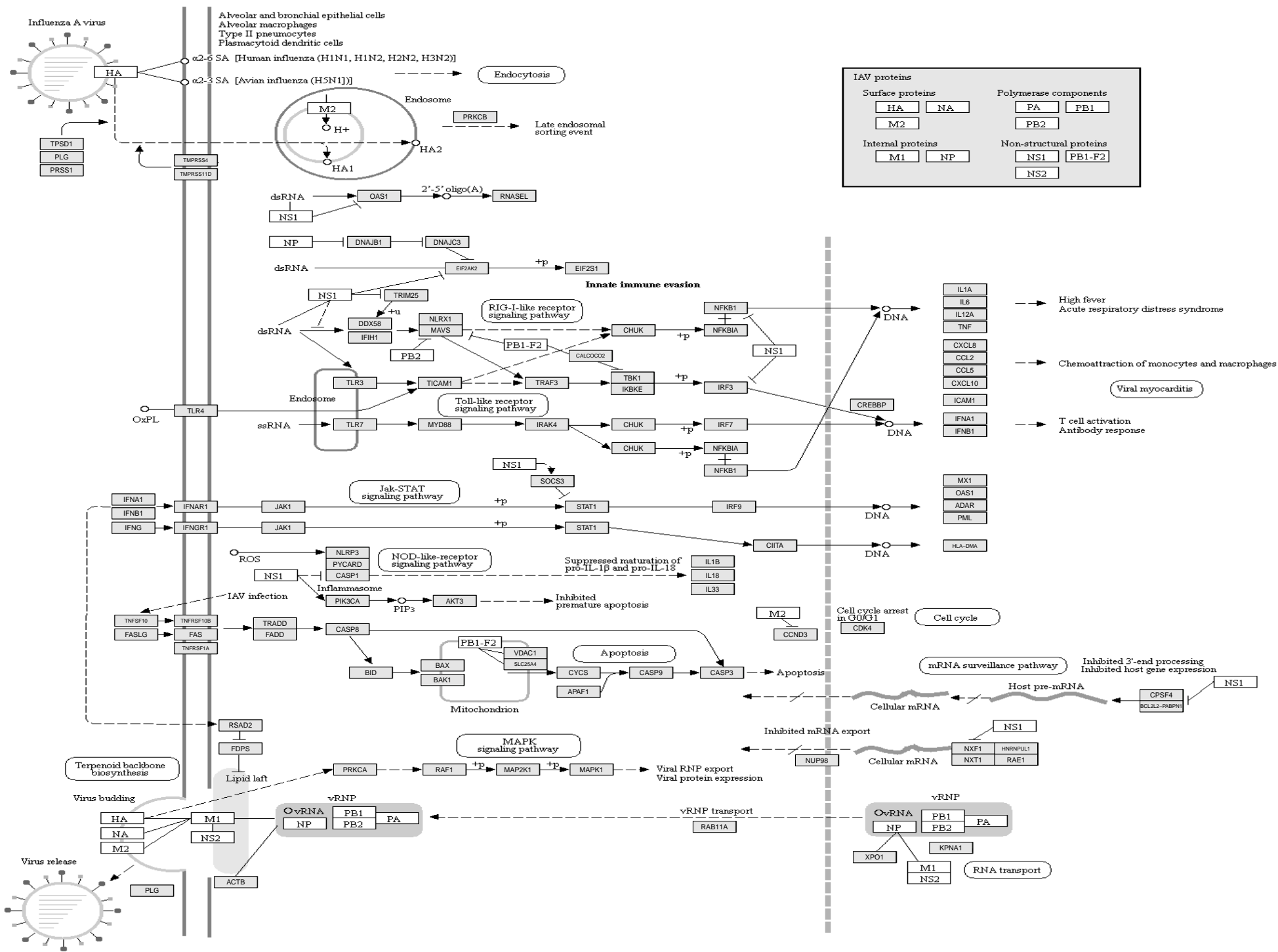
Influenza_A group 2



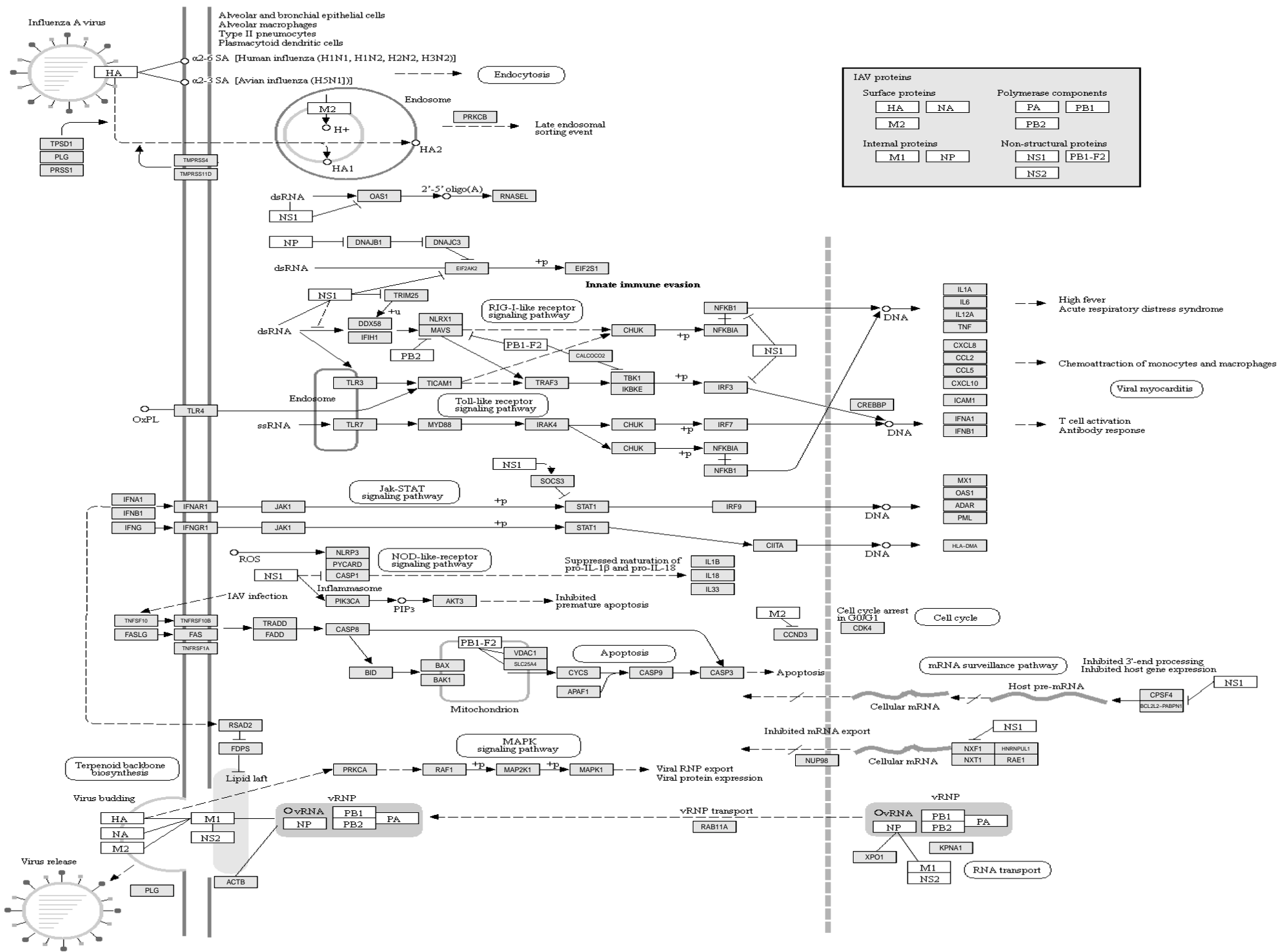
Influenza_A group.3

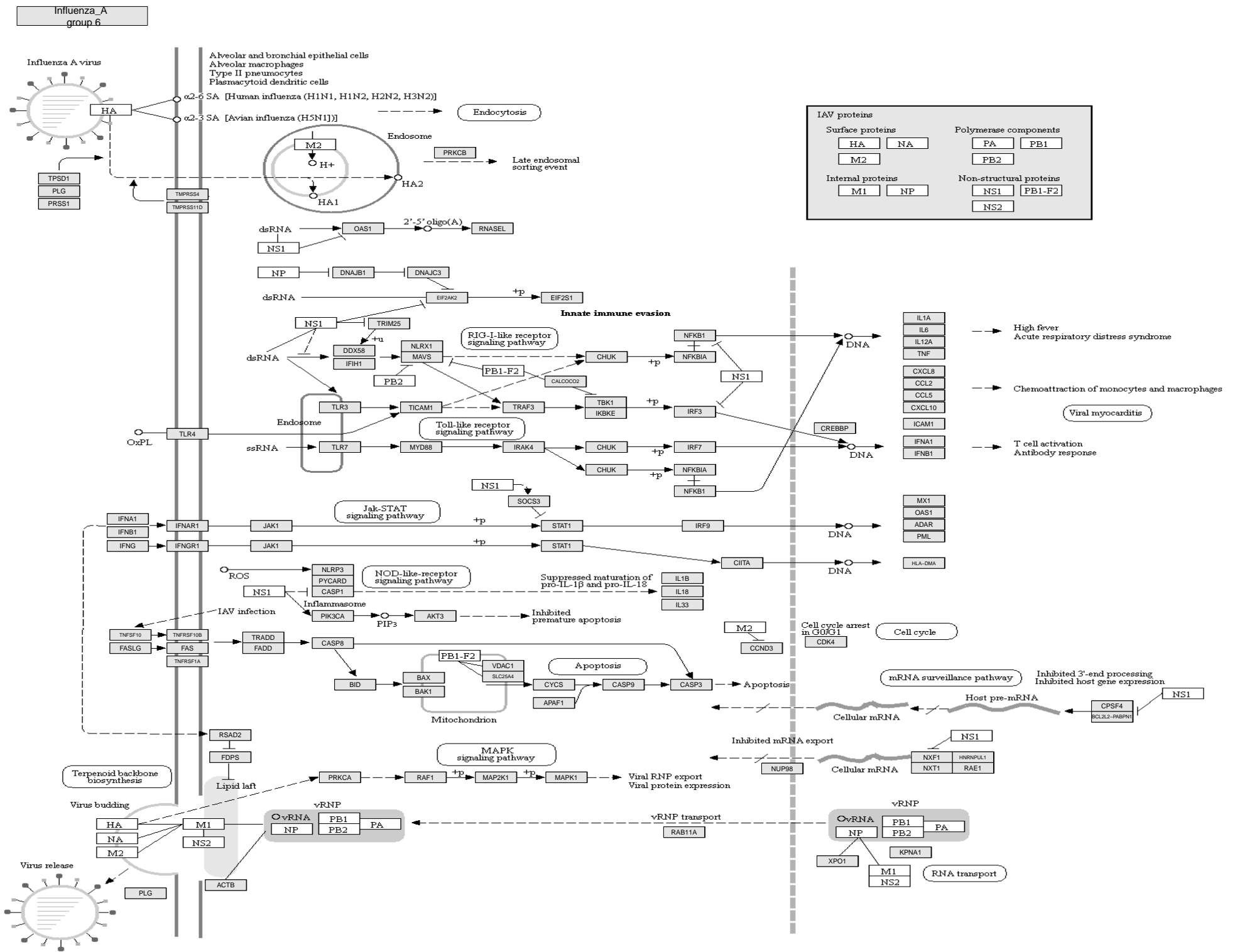


Influenza_A group 4



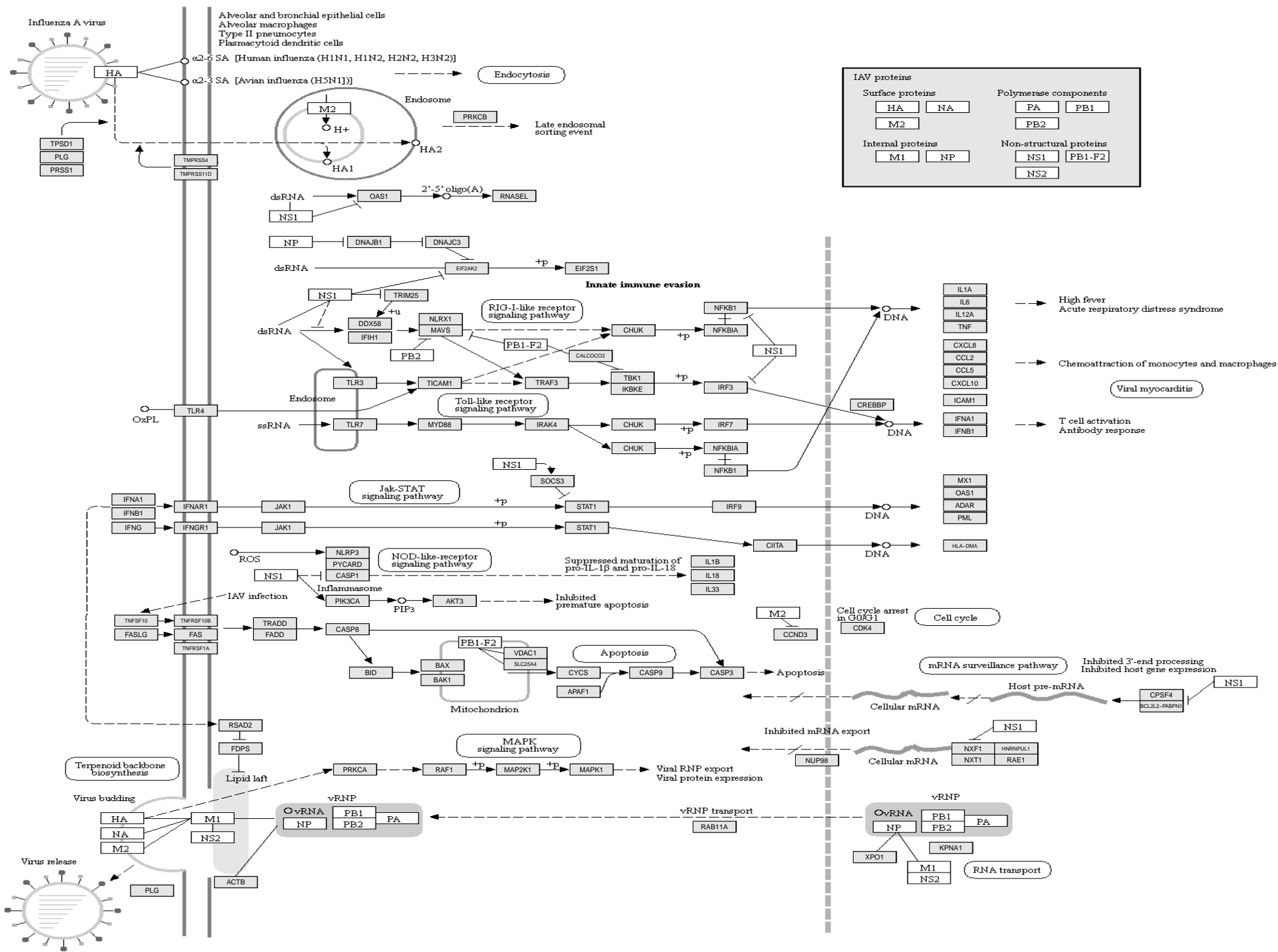
Influenza_A group 5





IAV proteins			
Surface proteins		Polymerase components	
HA	NA	PA	PB1
M2		PB2	
Internal proteins		Non-structural proteins	
M1	NP	NS1	PB1-F2
		NS2	

Influenza_A group 7



IAV proteins			
Surface proteins		Polymerase components	
HA	NA	PA	PB1
M2		PB2	
Internal proteins		Non-structural proteins	
M1	NP	NS1	PB1-F2
		NS2	

Influenza_A group 8

