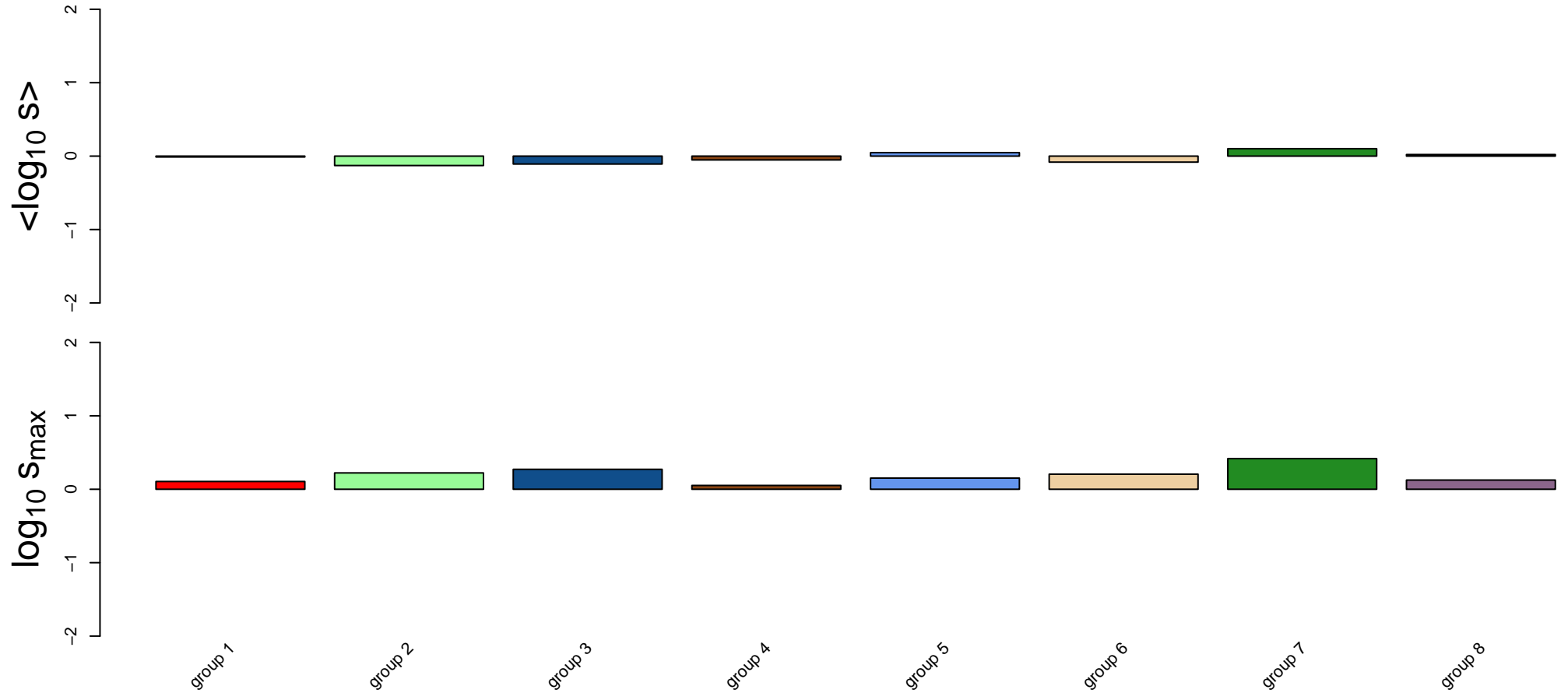
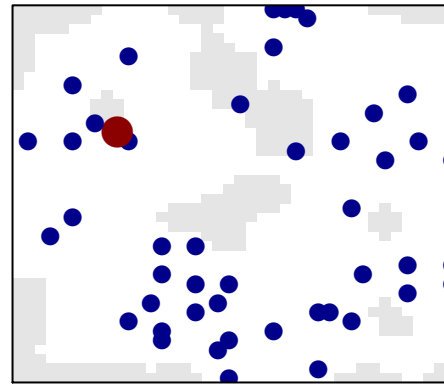
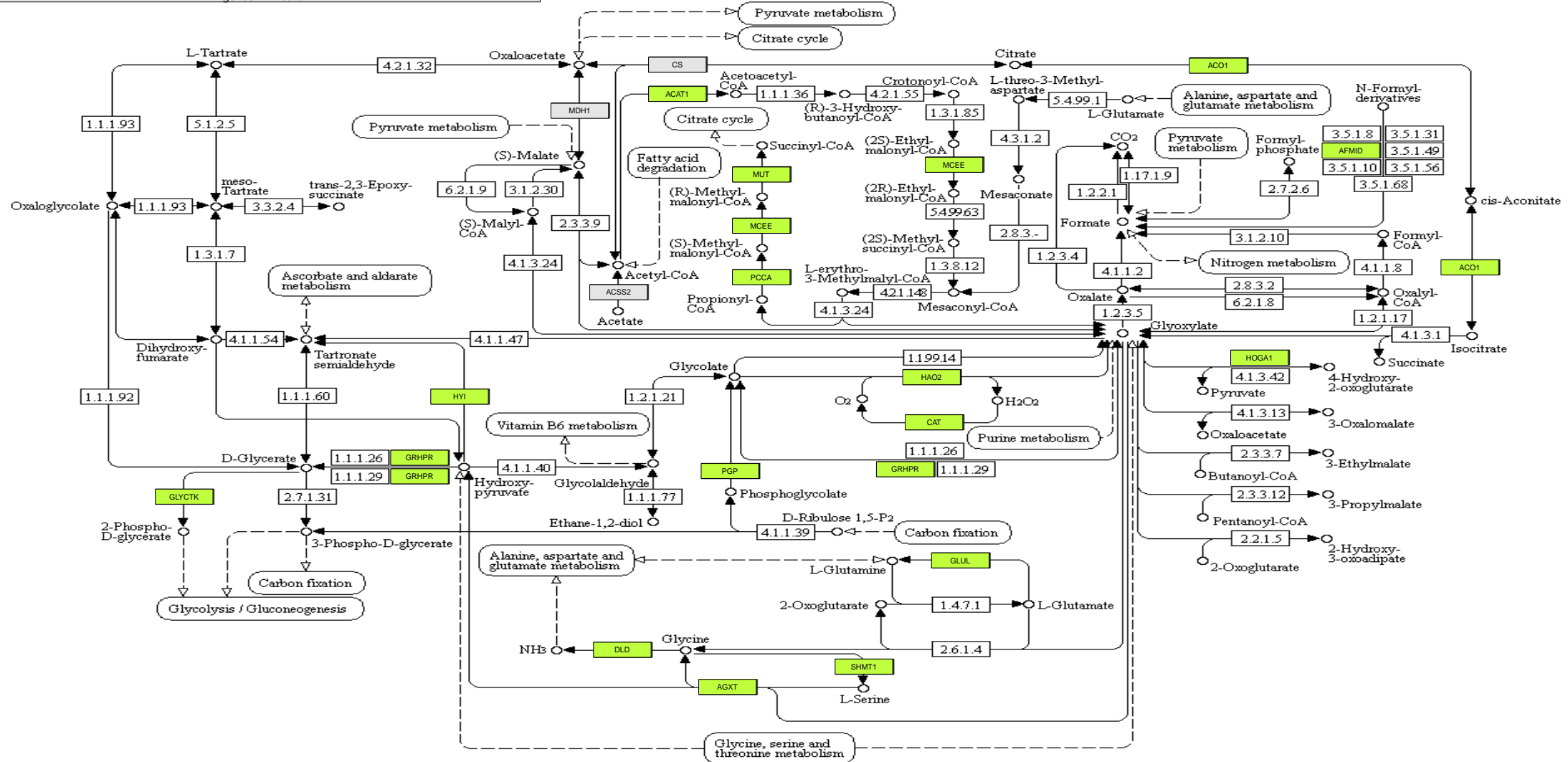


Glyoxylate and dicarboxylate metabc

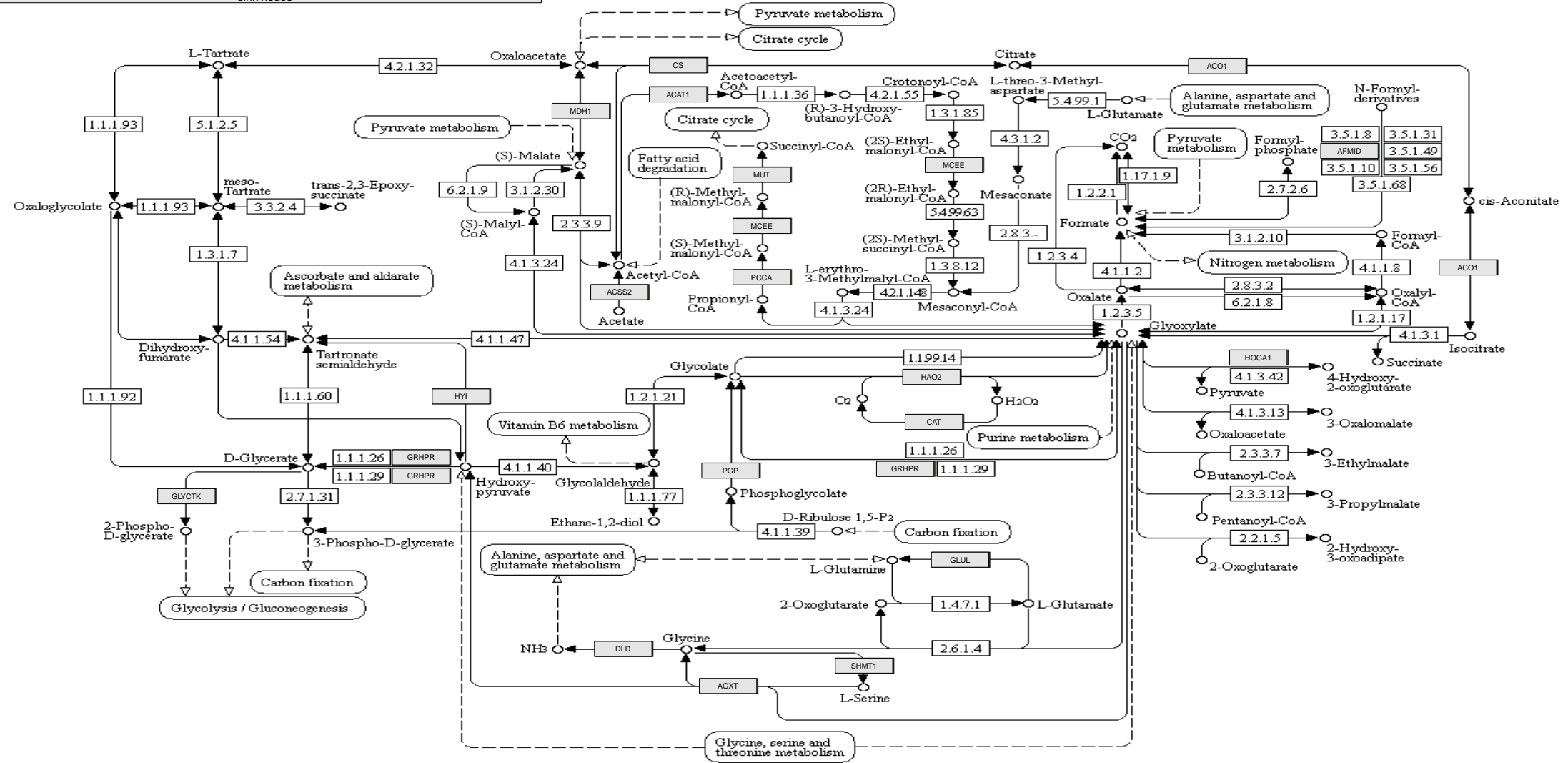
all genes



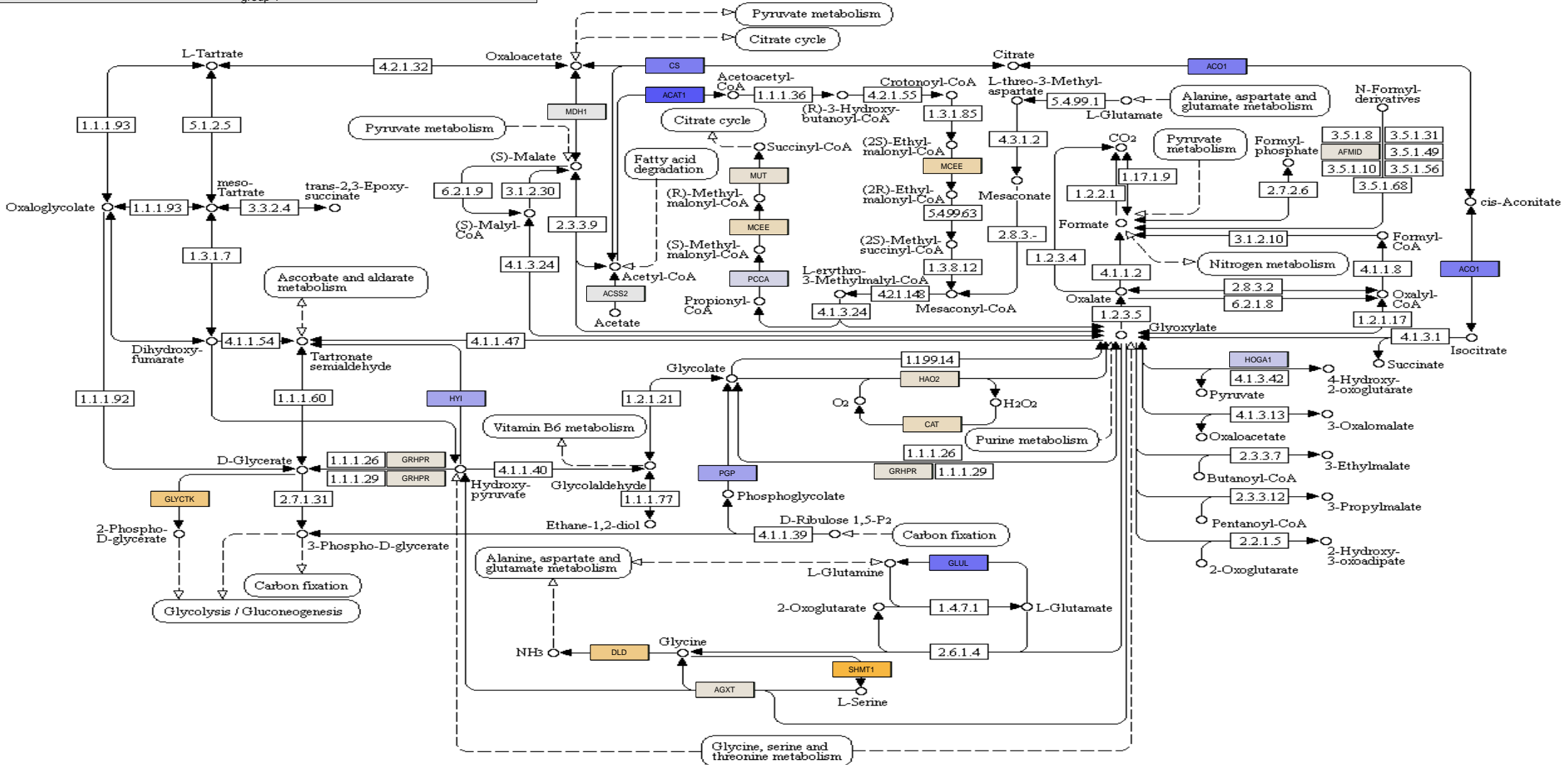
Glyoxylate_and_dicarboxylate_metabolism
genes with data



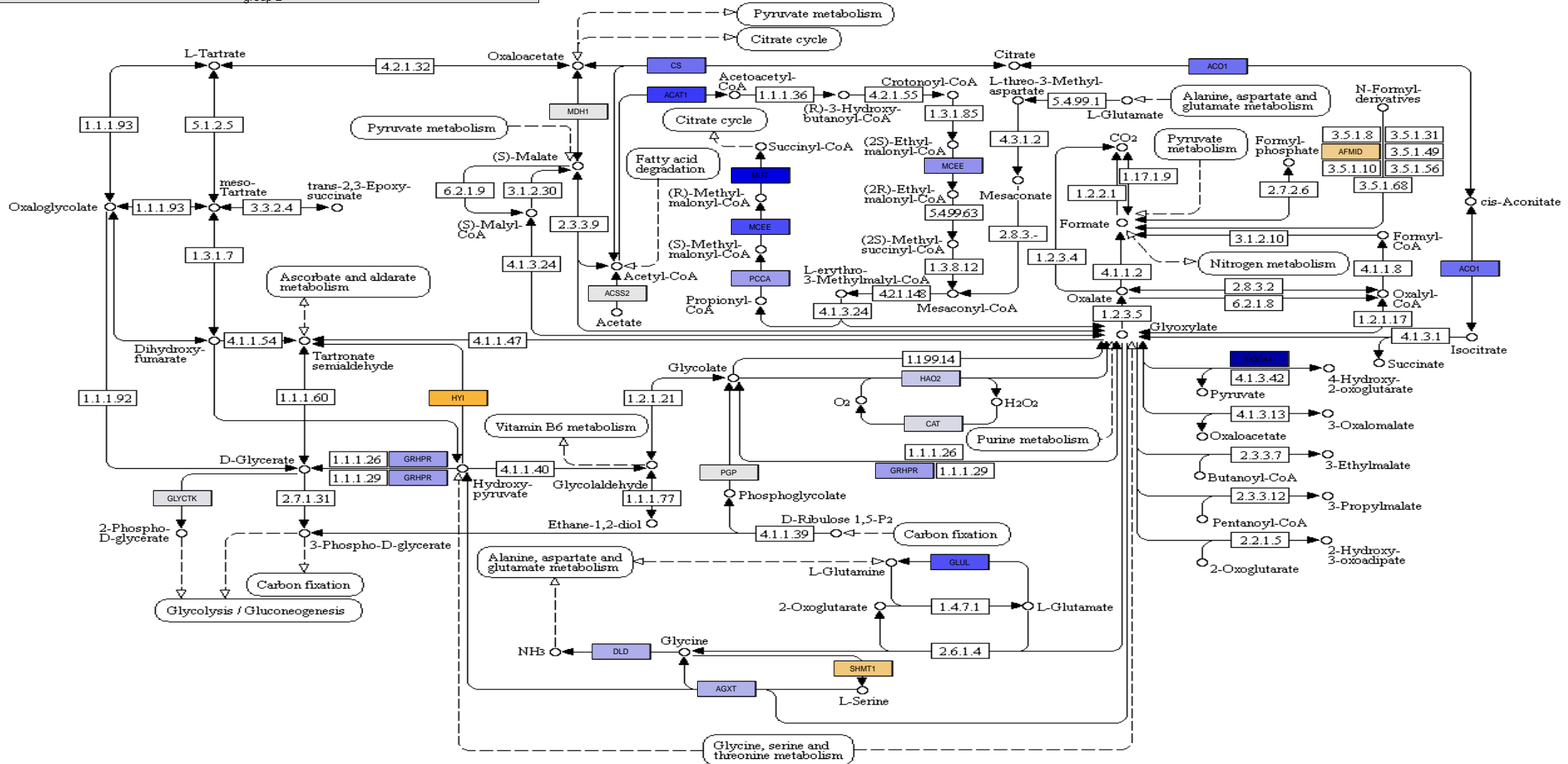
Glyoxylate_and_dicarboxylate_metabolism sink nodes



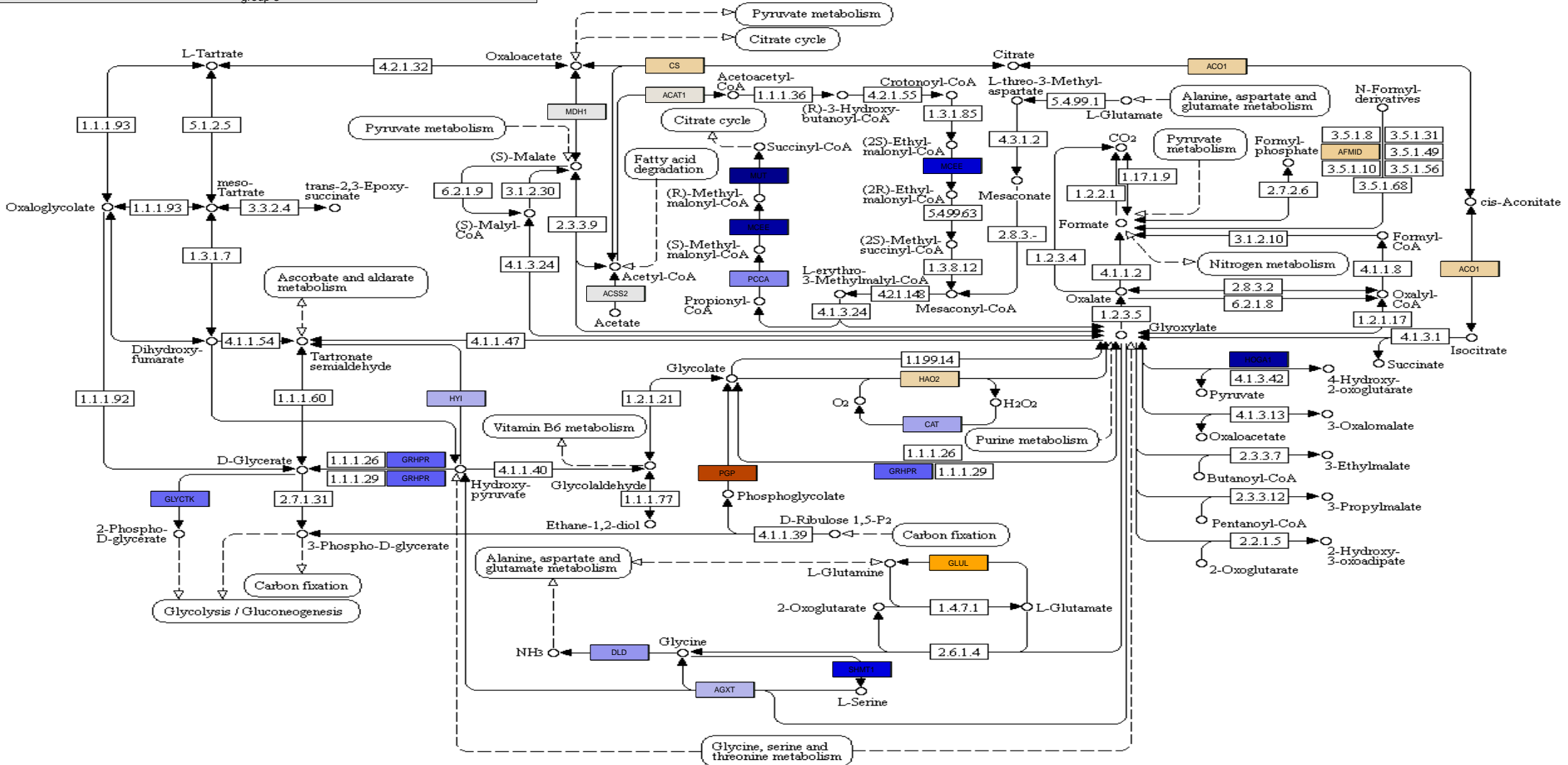
Glyoxylate_and_dicarboxylate_metabolism_group 1



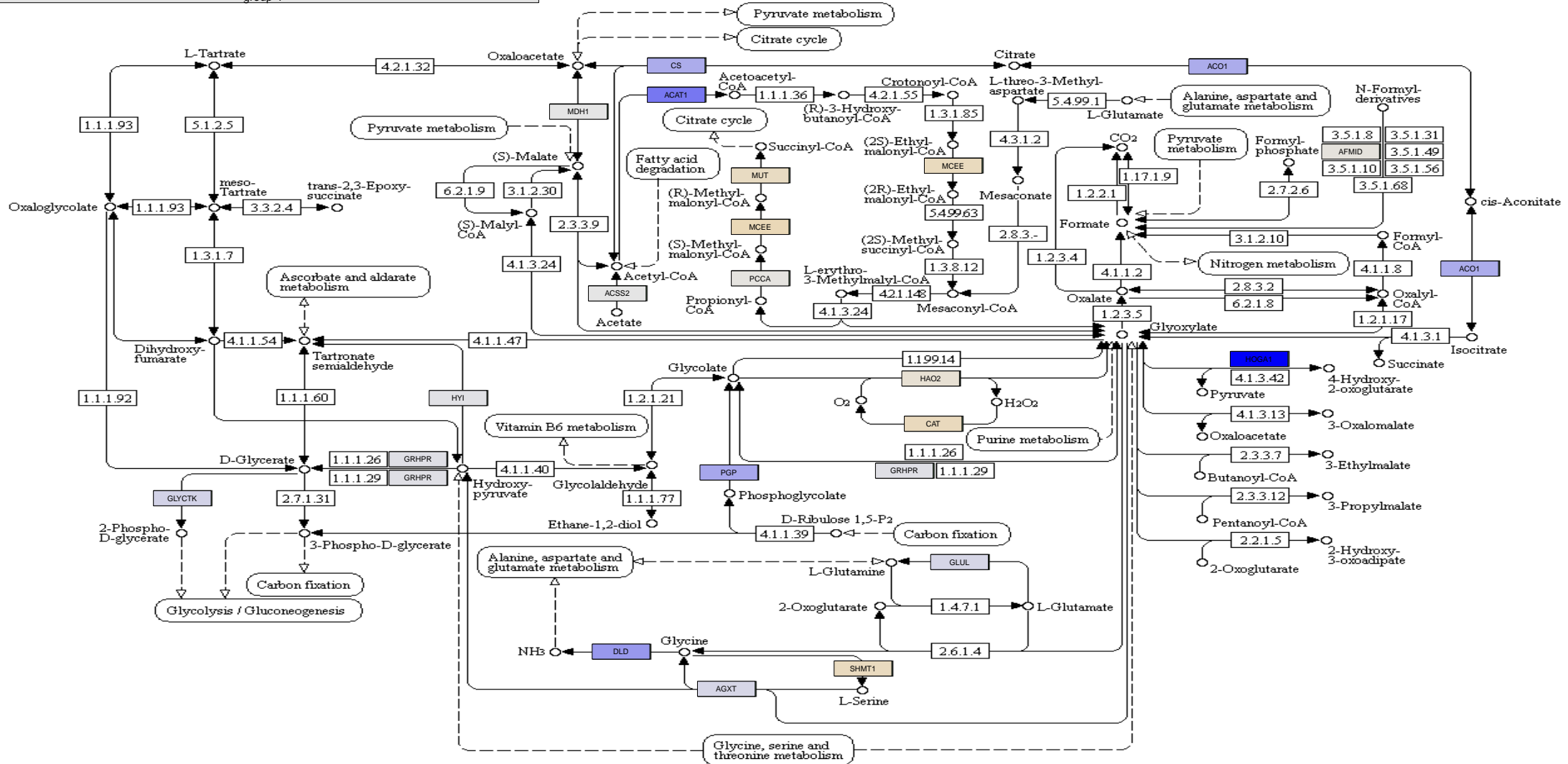
Glyoxylate_and_dicarboxylate_metabolism
group 2



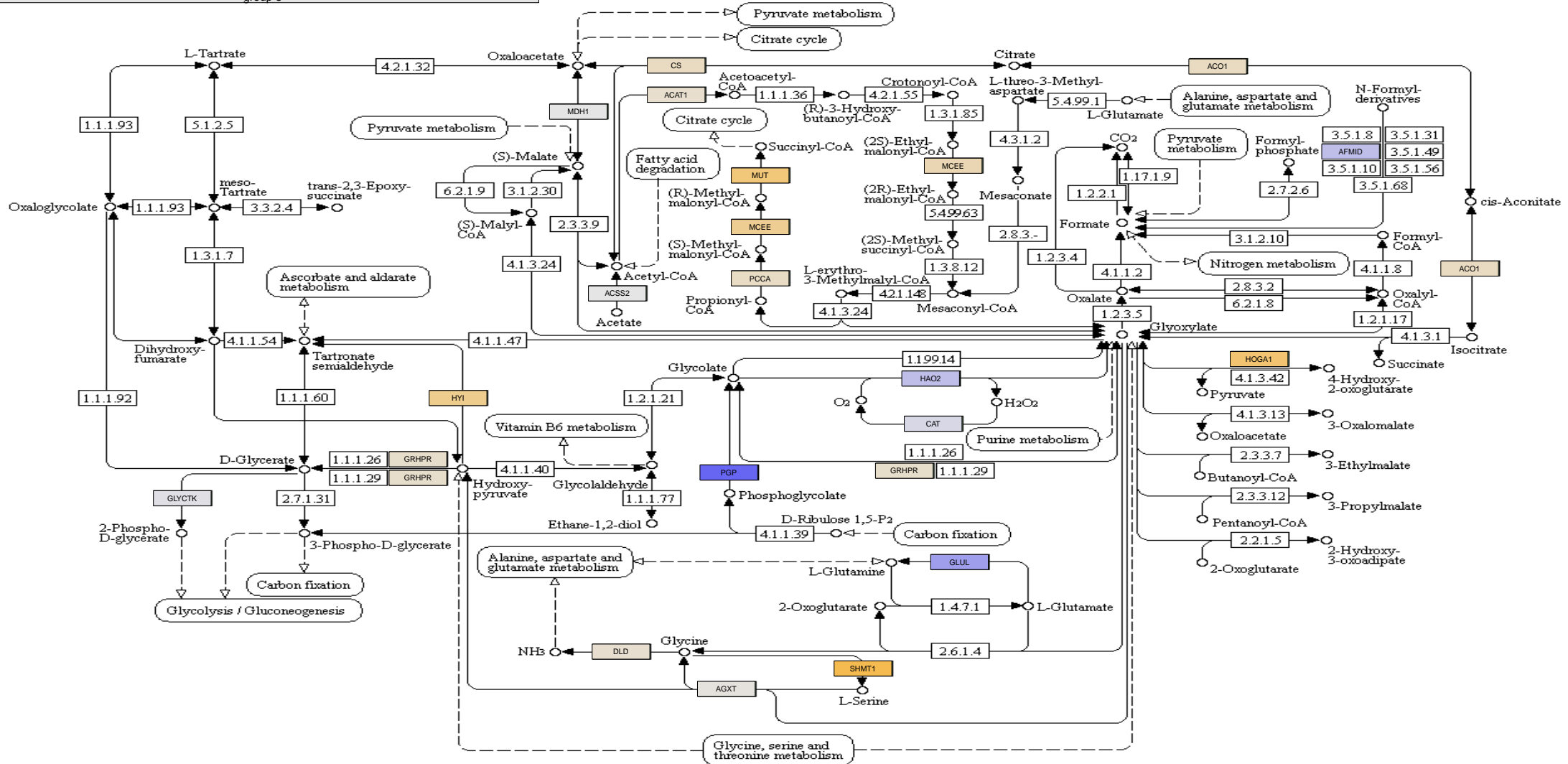
Glyoxylate_and_dicarboxylate_metabolism
group 3



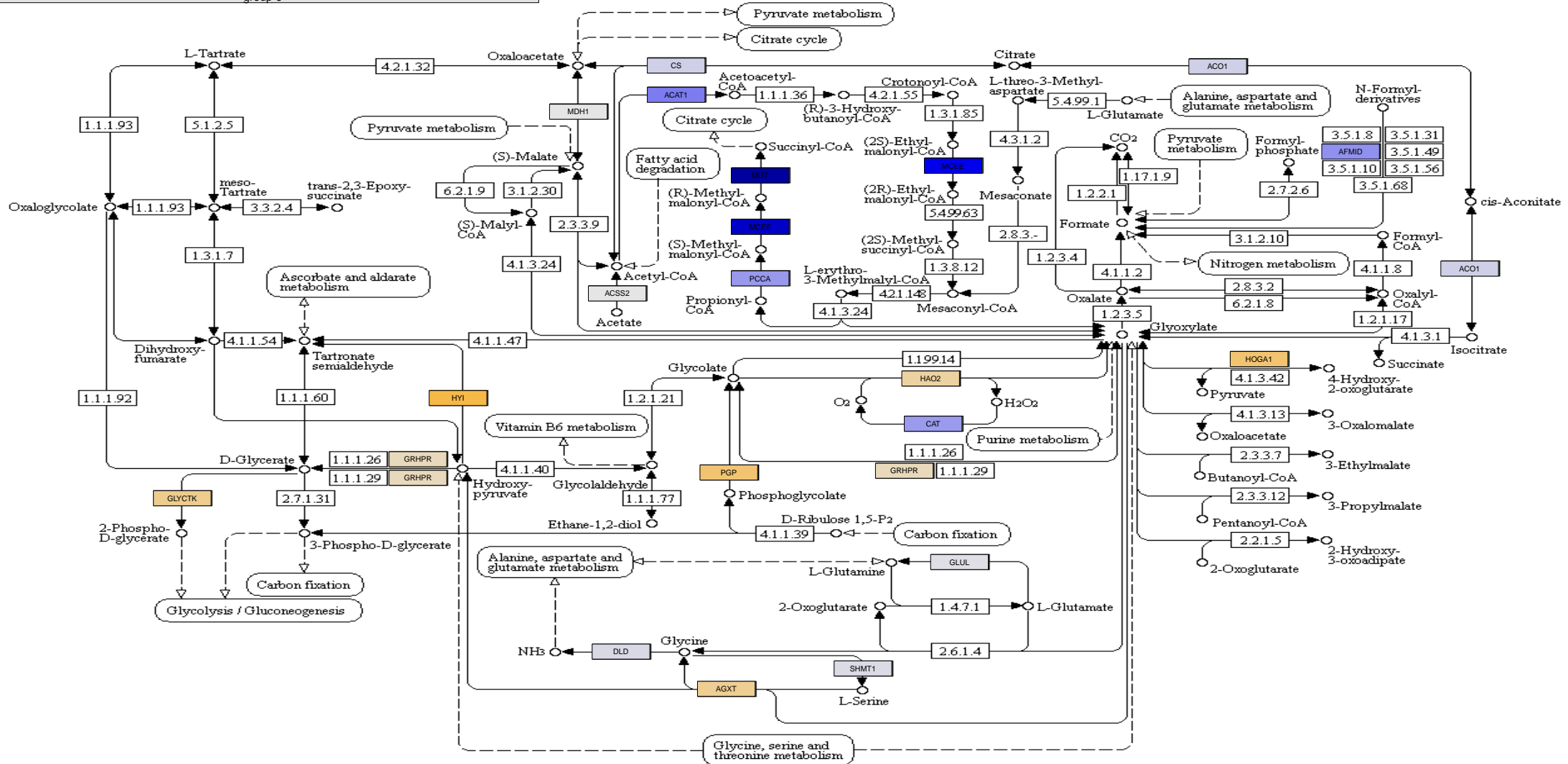
Glyoxylate_and_dicarboxylate_metabolism
group 4



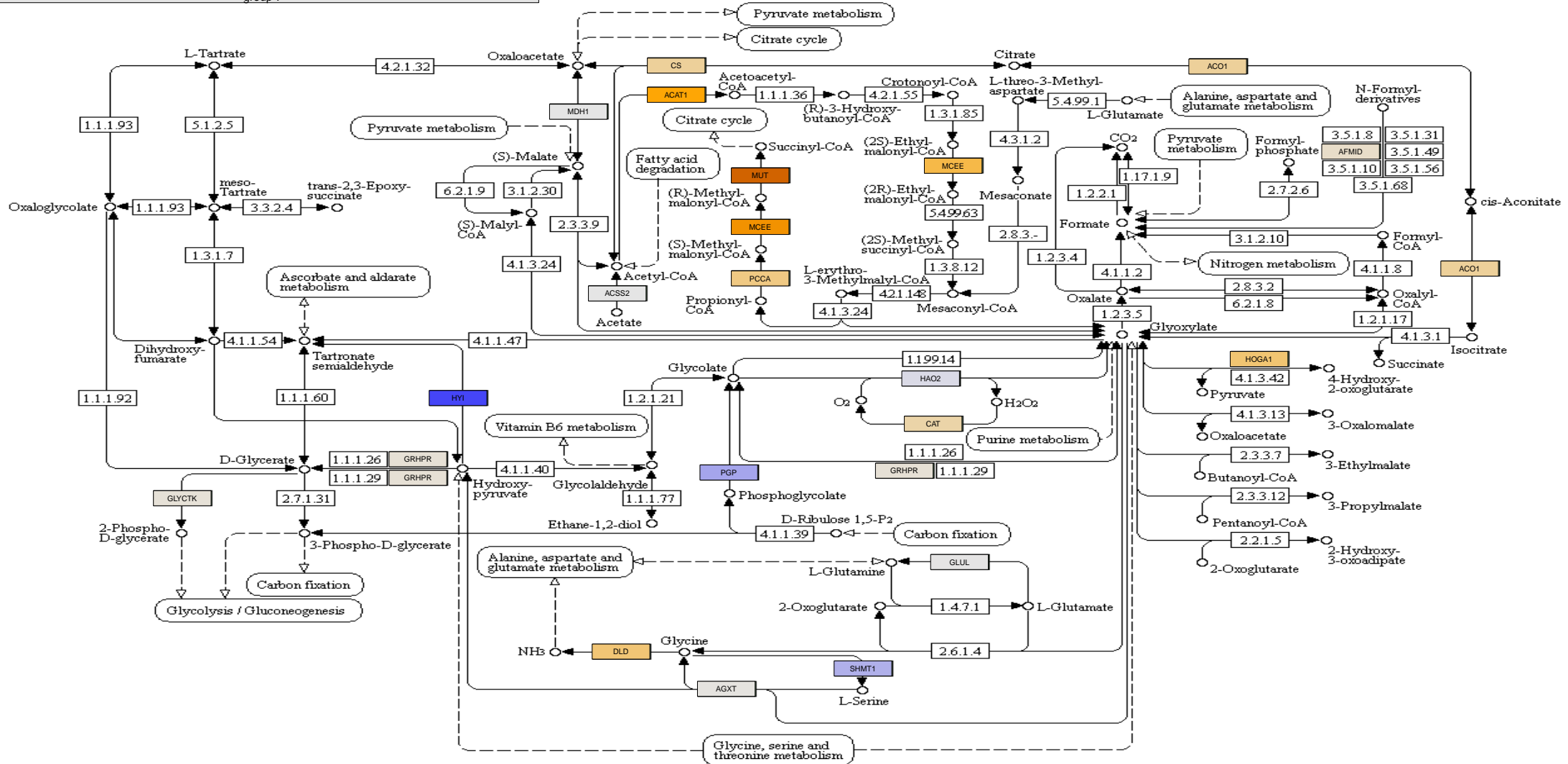
Glyoxylate_and_dicarboxylate_metabolism
group 5



Glyoxylate_and_dicarboxylate_metabolism
group 6



Glyoxylate_and_dicarboxylate_metabolism
group 7



Glyoxylate_and_dicarboxylate_metabolism
group 8

