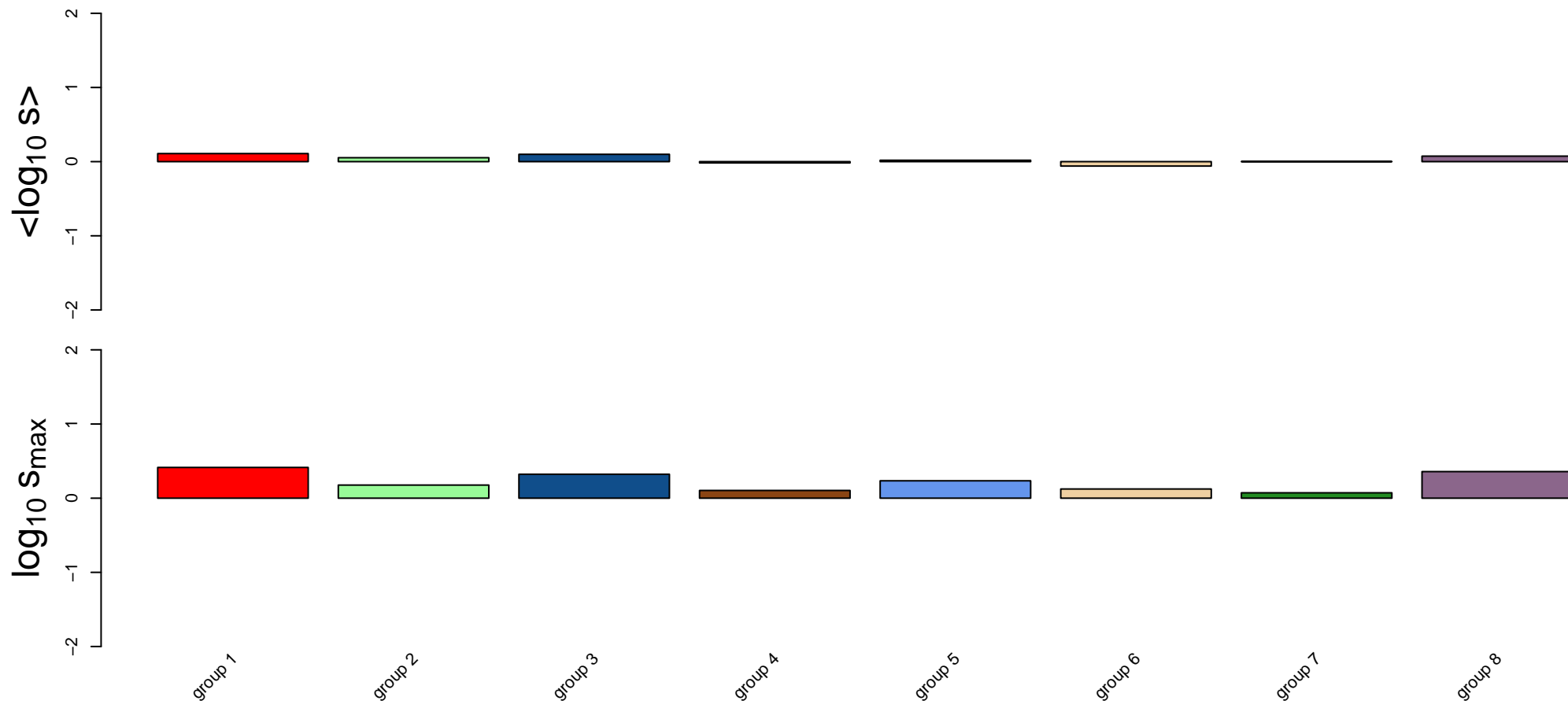
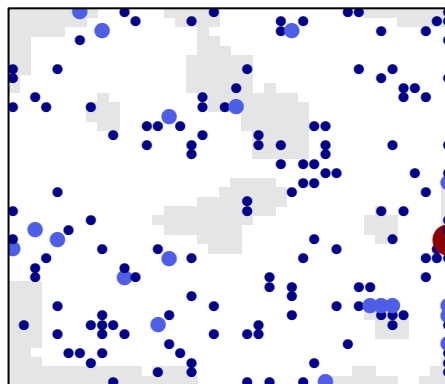
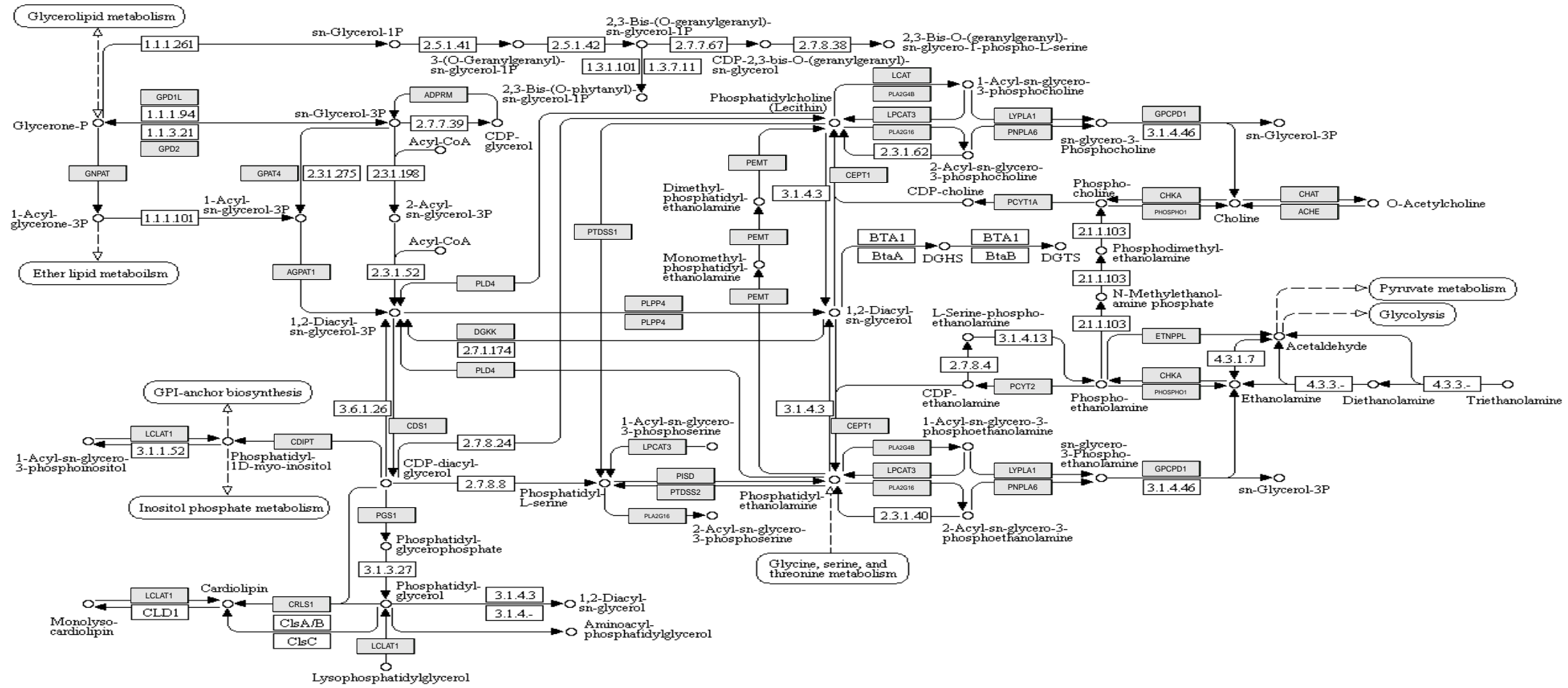


# Glycerophospholipid metabolism

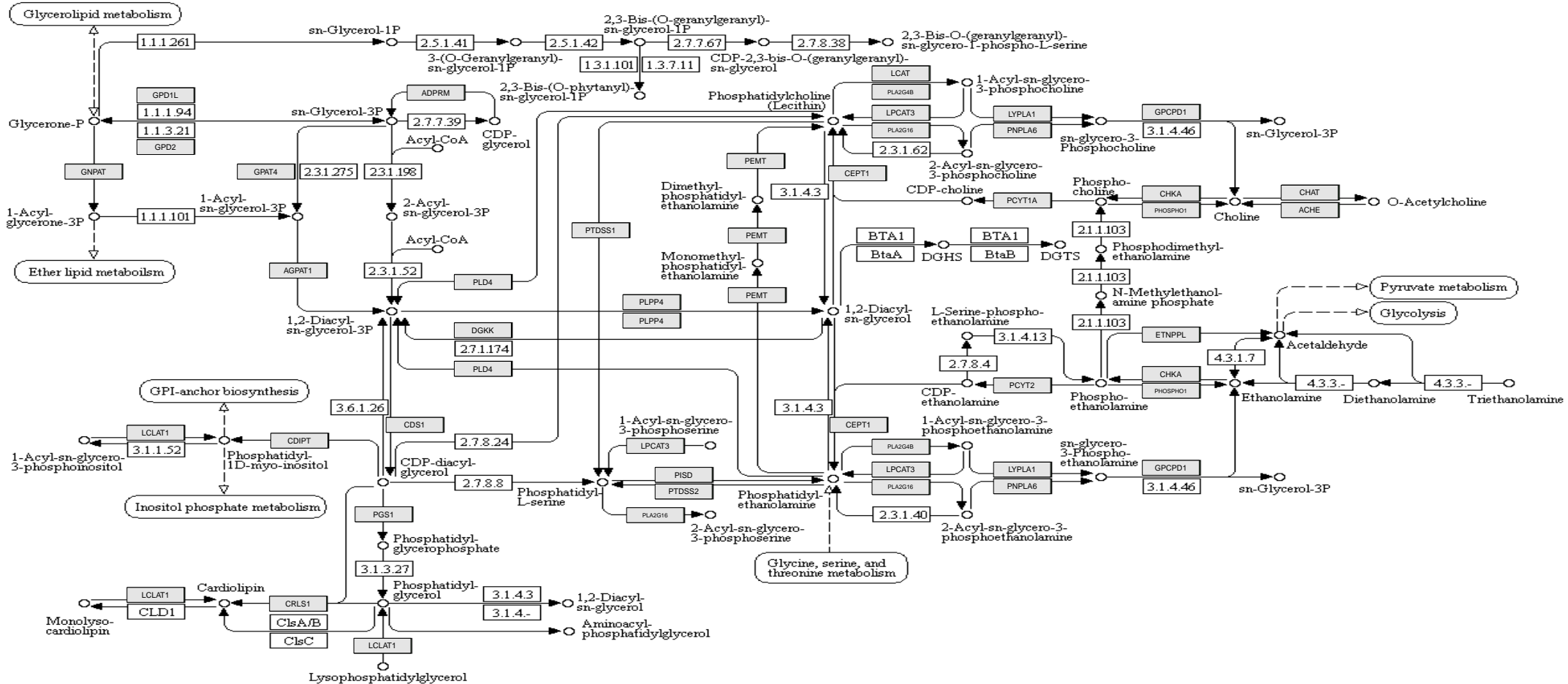
all genes



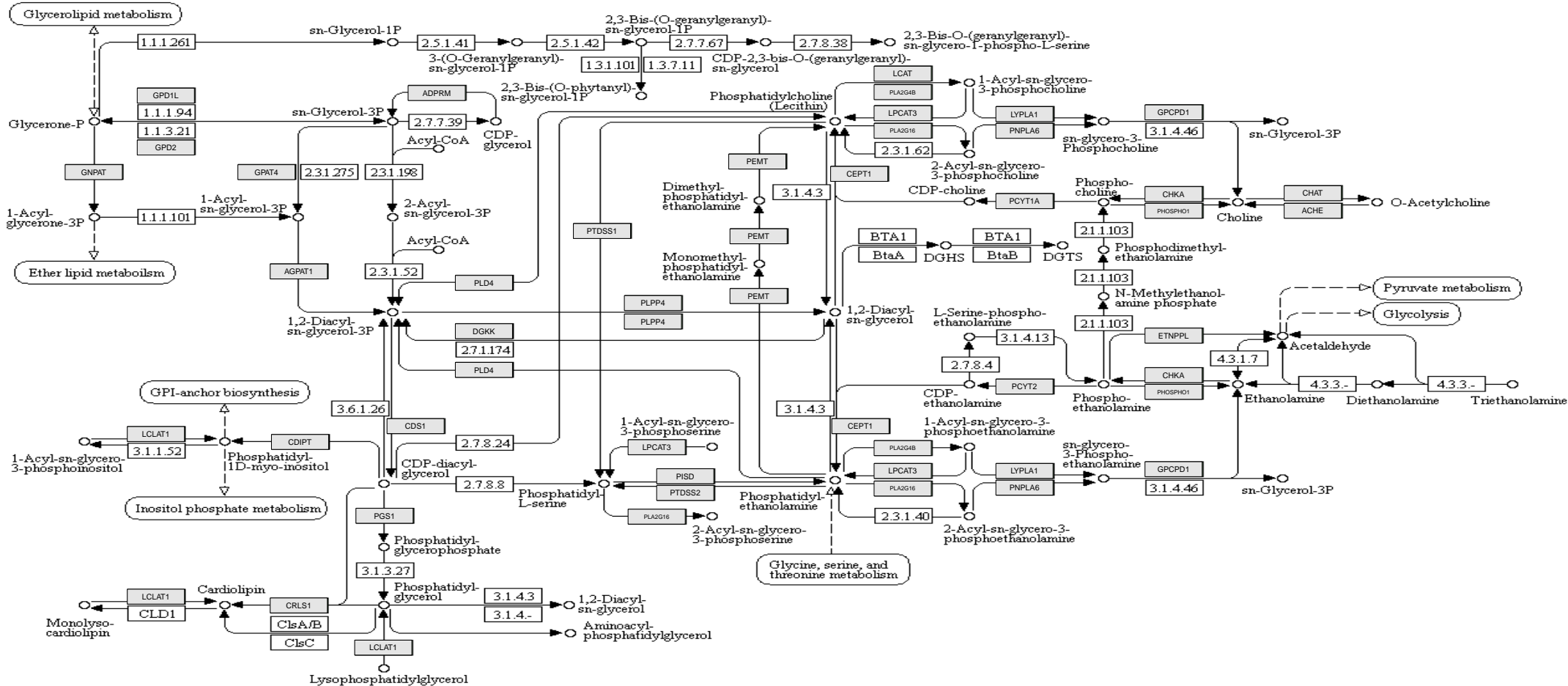
Glycerophospholipid metabolism genes with data



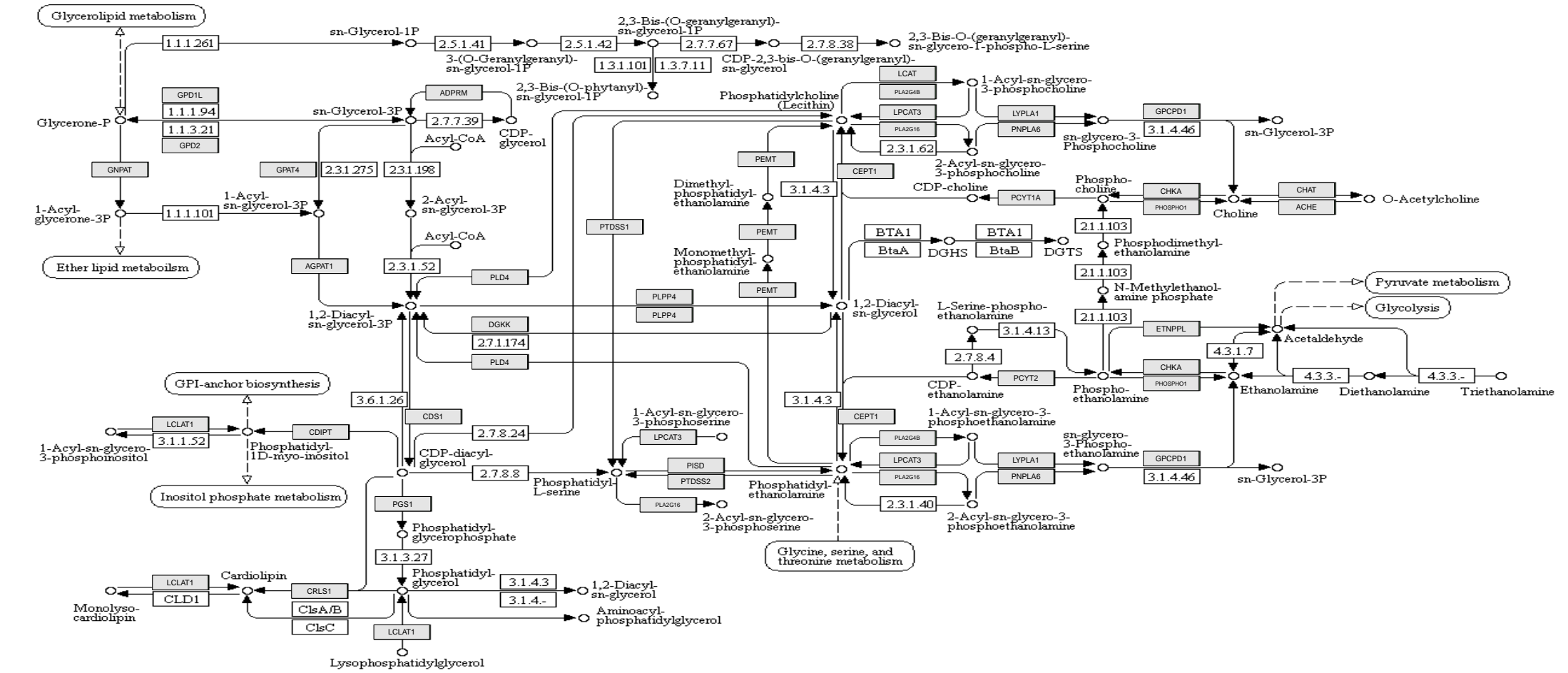
Glycerophospholipid\_metabolism sink nodes



Glycerophospholipid metabolism group 1

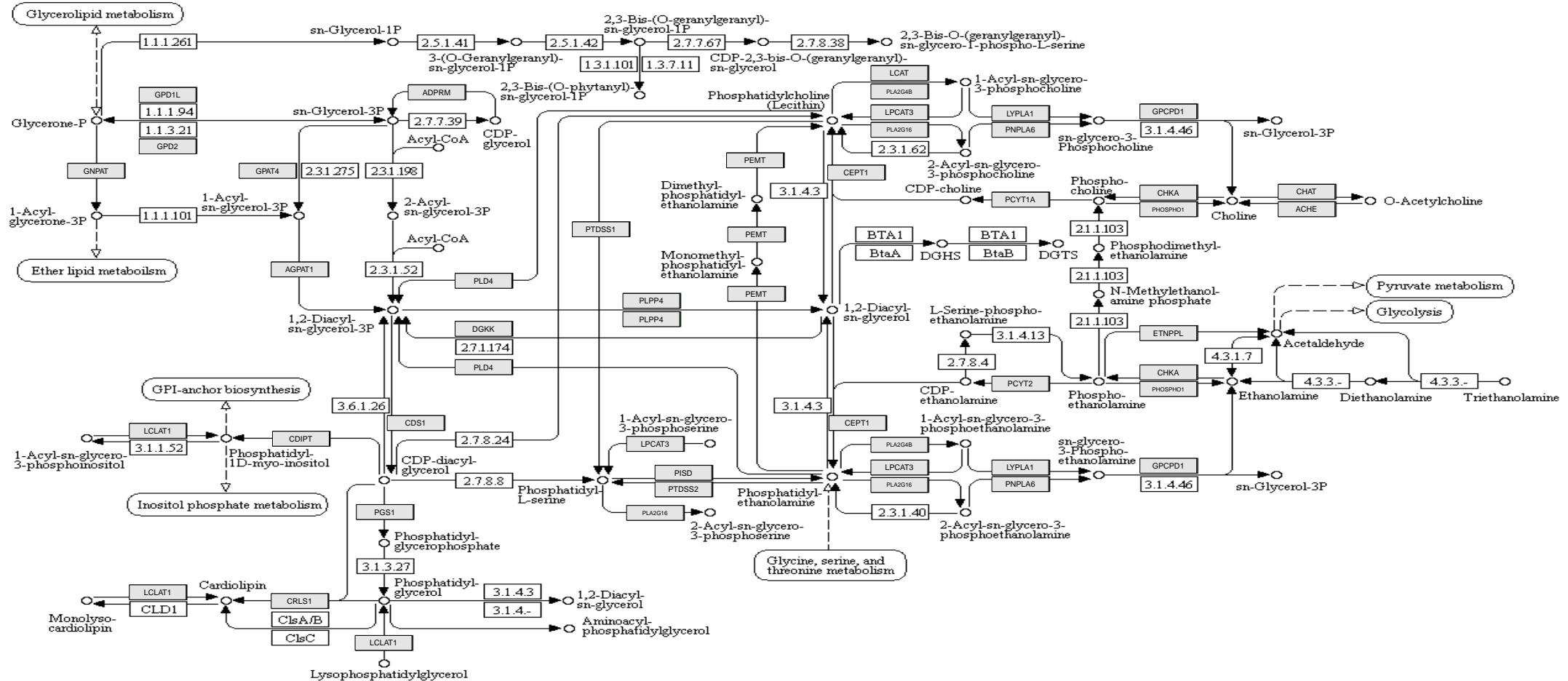


Glycerophospholipid metabolism group 2

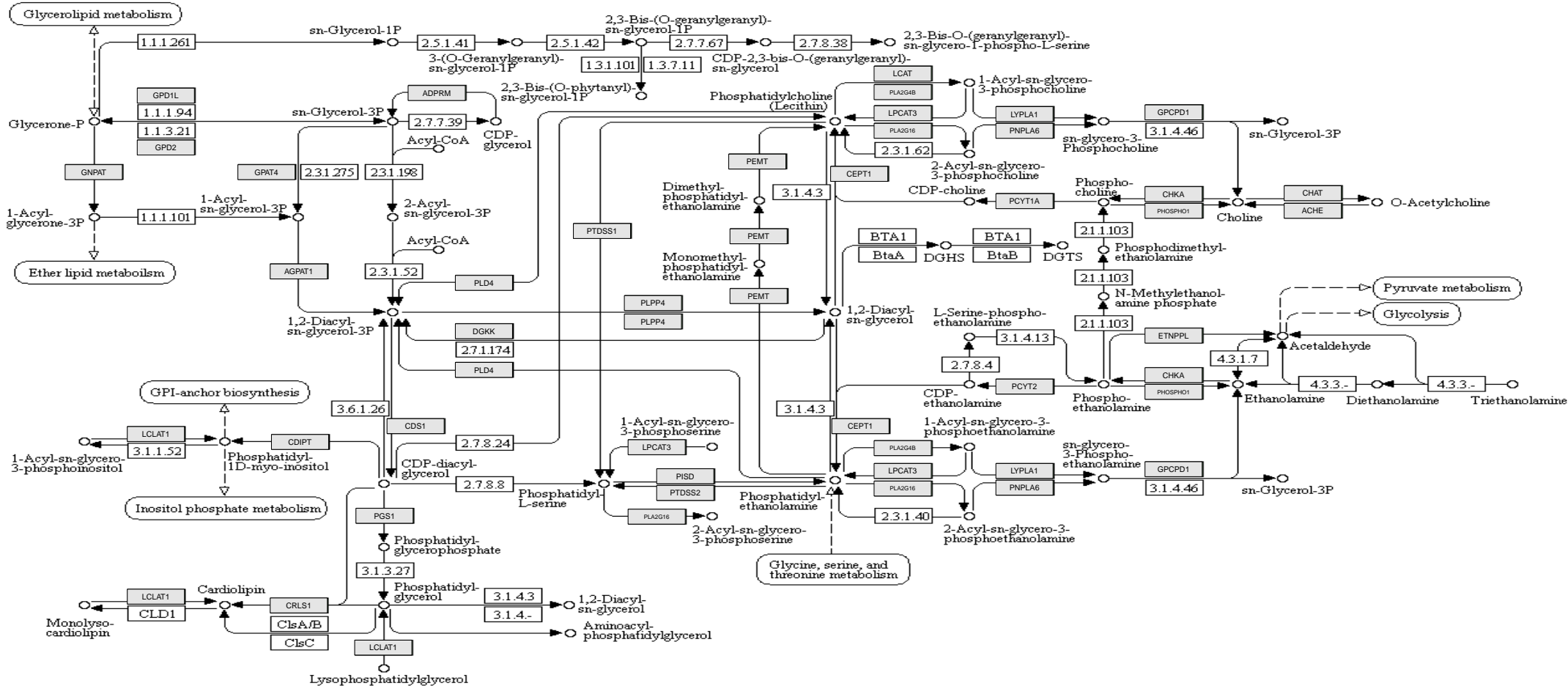




Glycerophospholipid metabolism group 4

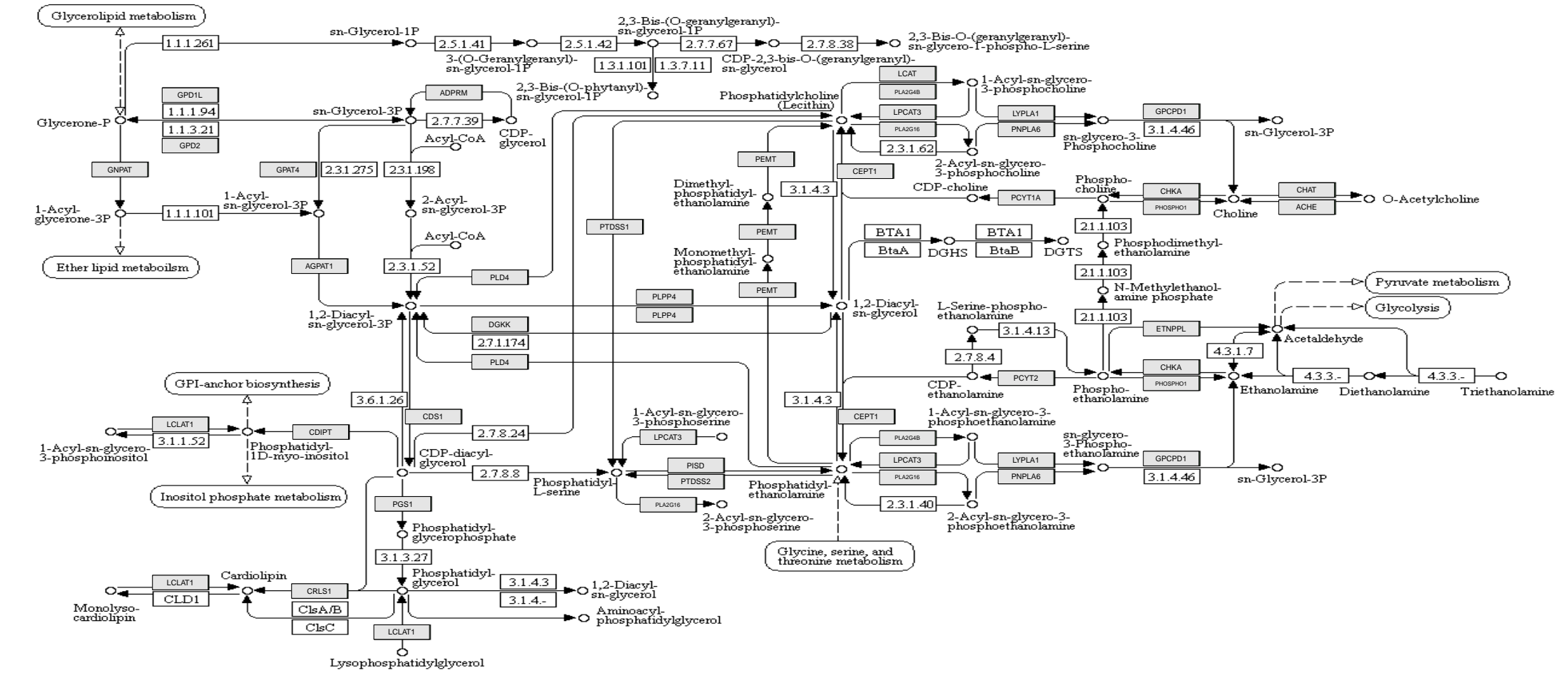


Glycerophospholipid metabolism group 5

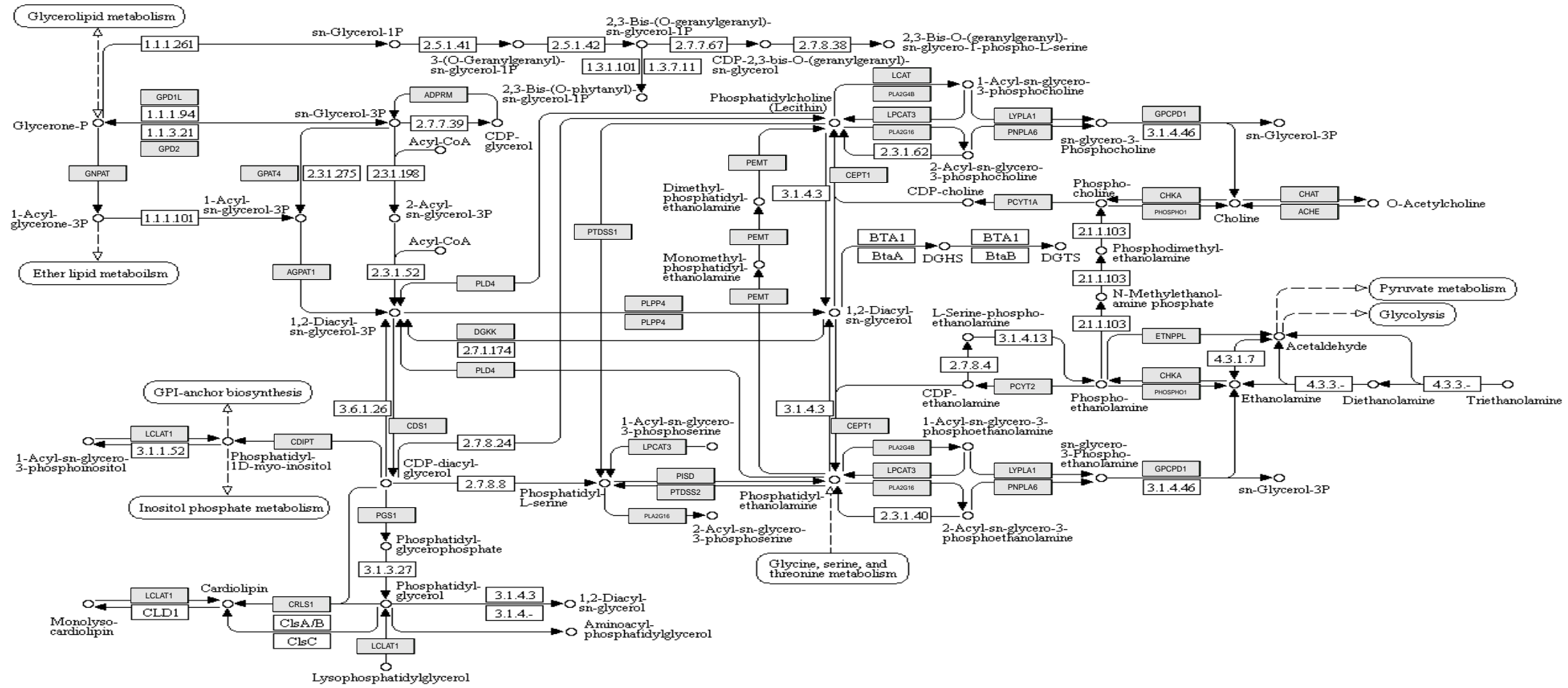




Glycerophospholipid metabolism group 6



Glycerophospholipid metabolism group 7



Glycerophospholipid metabolism group 8

