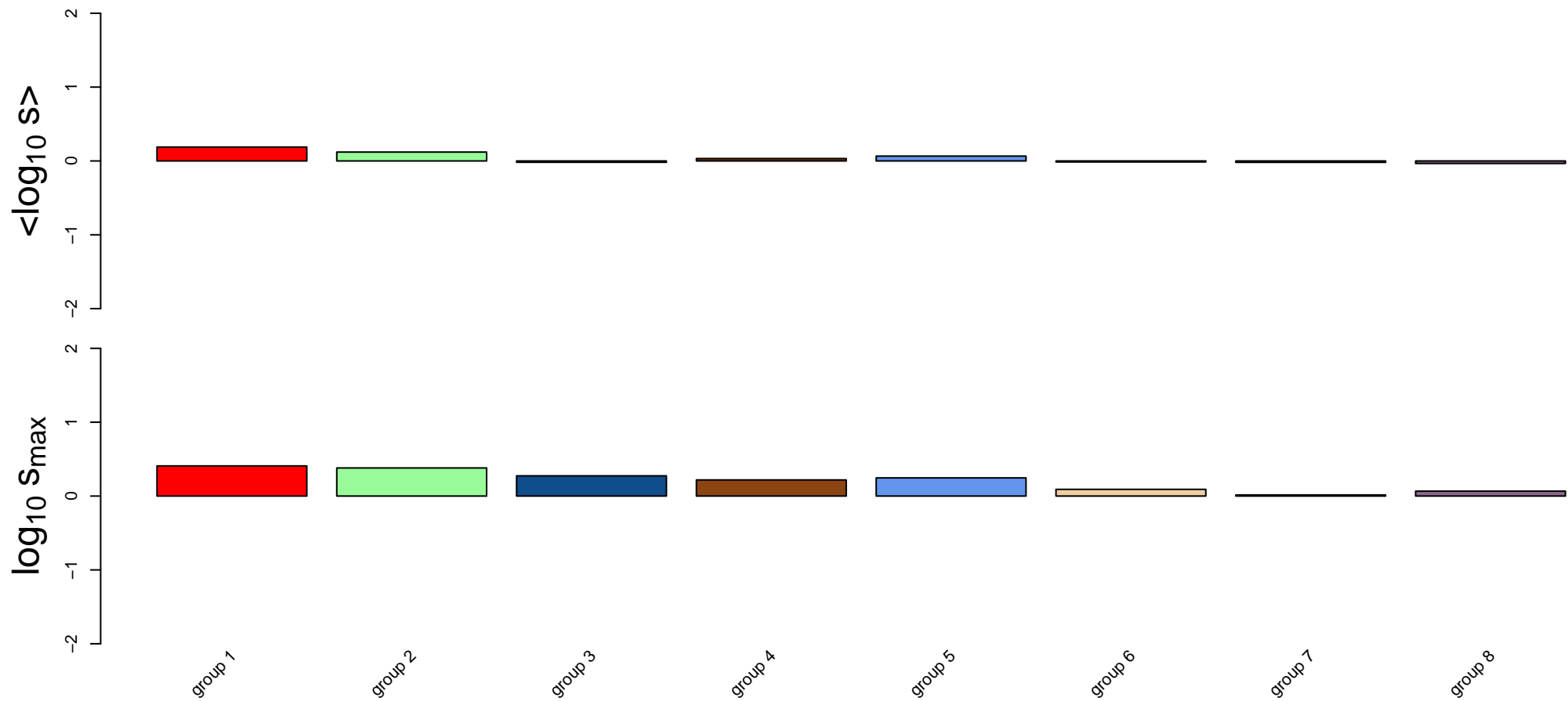
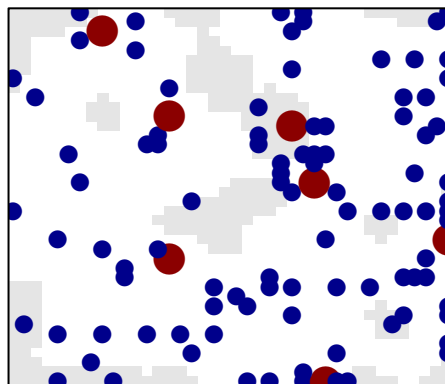
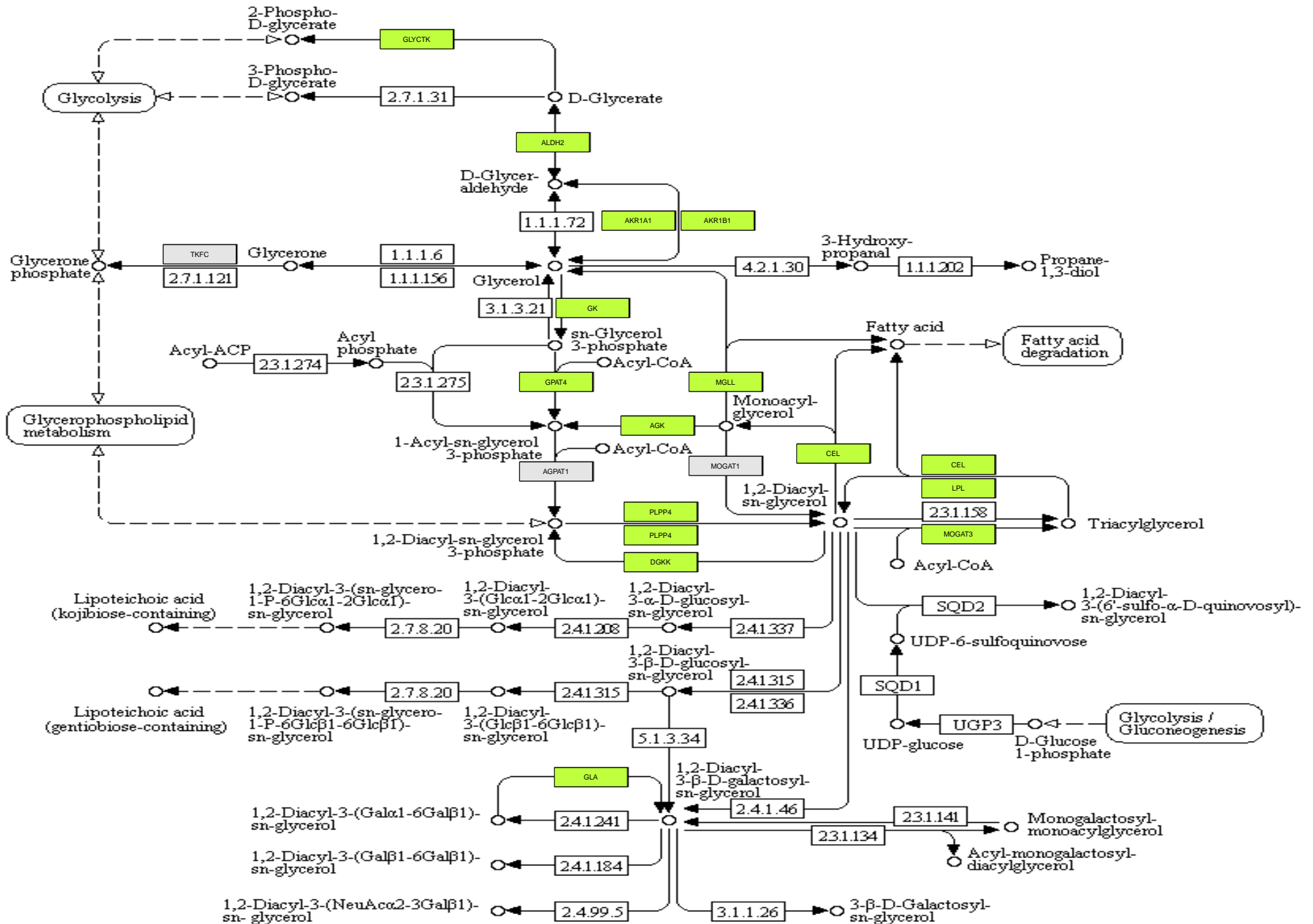


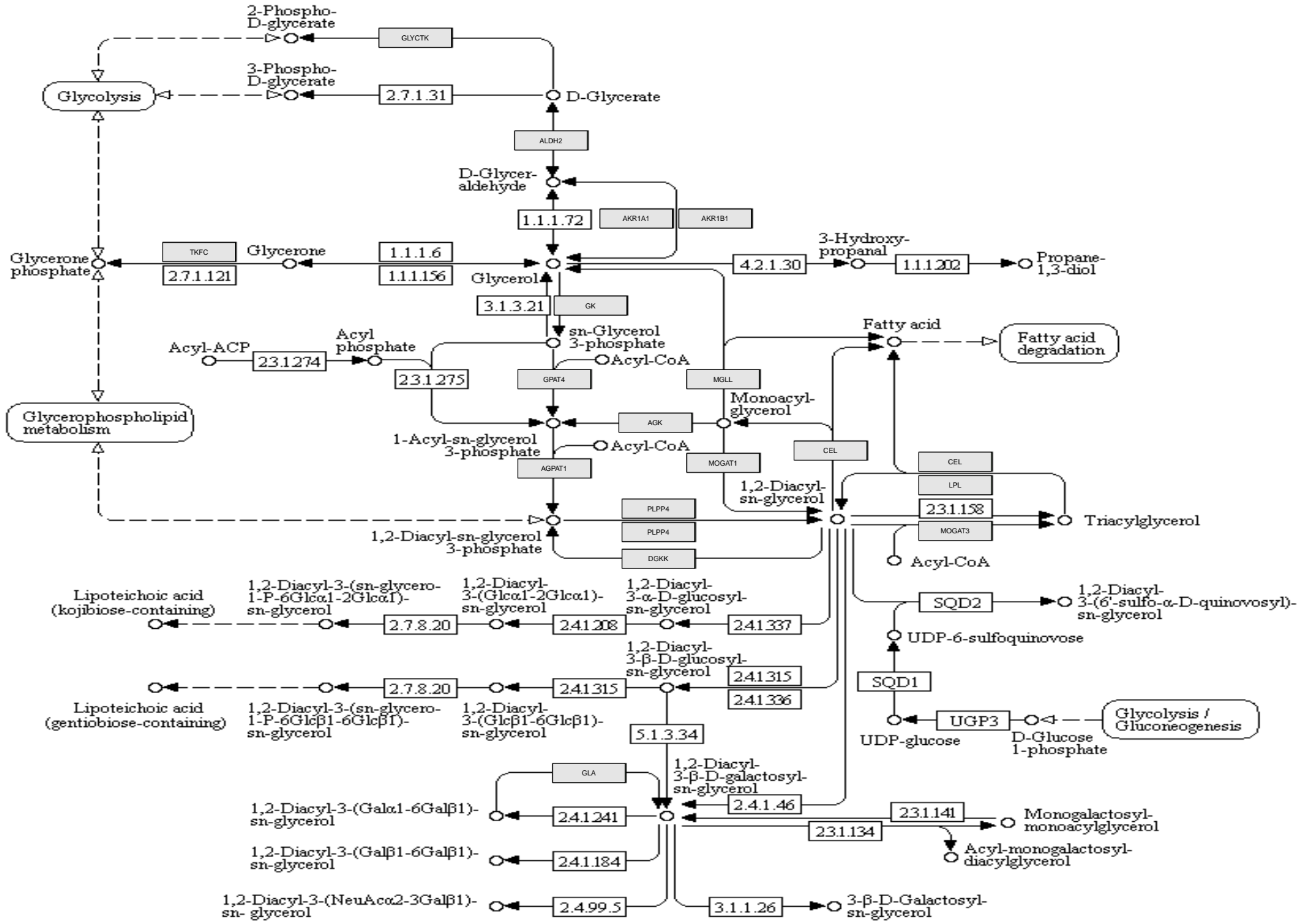
Glycerolipid metabolism

all genes

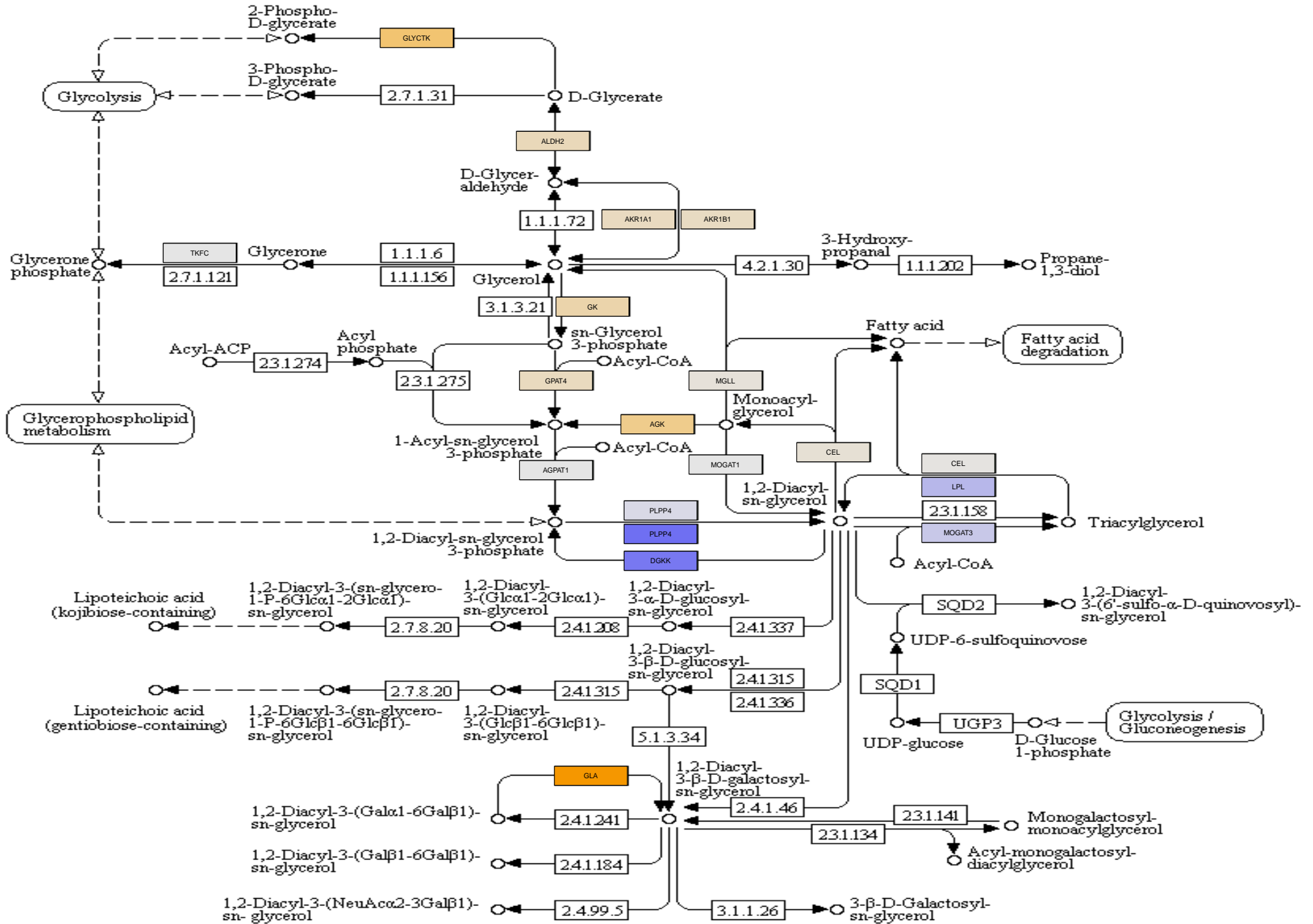




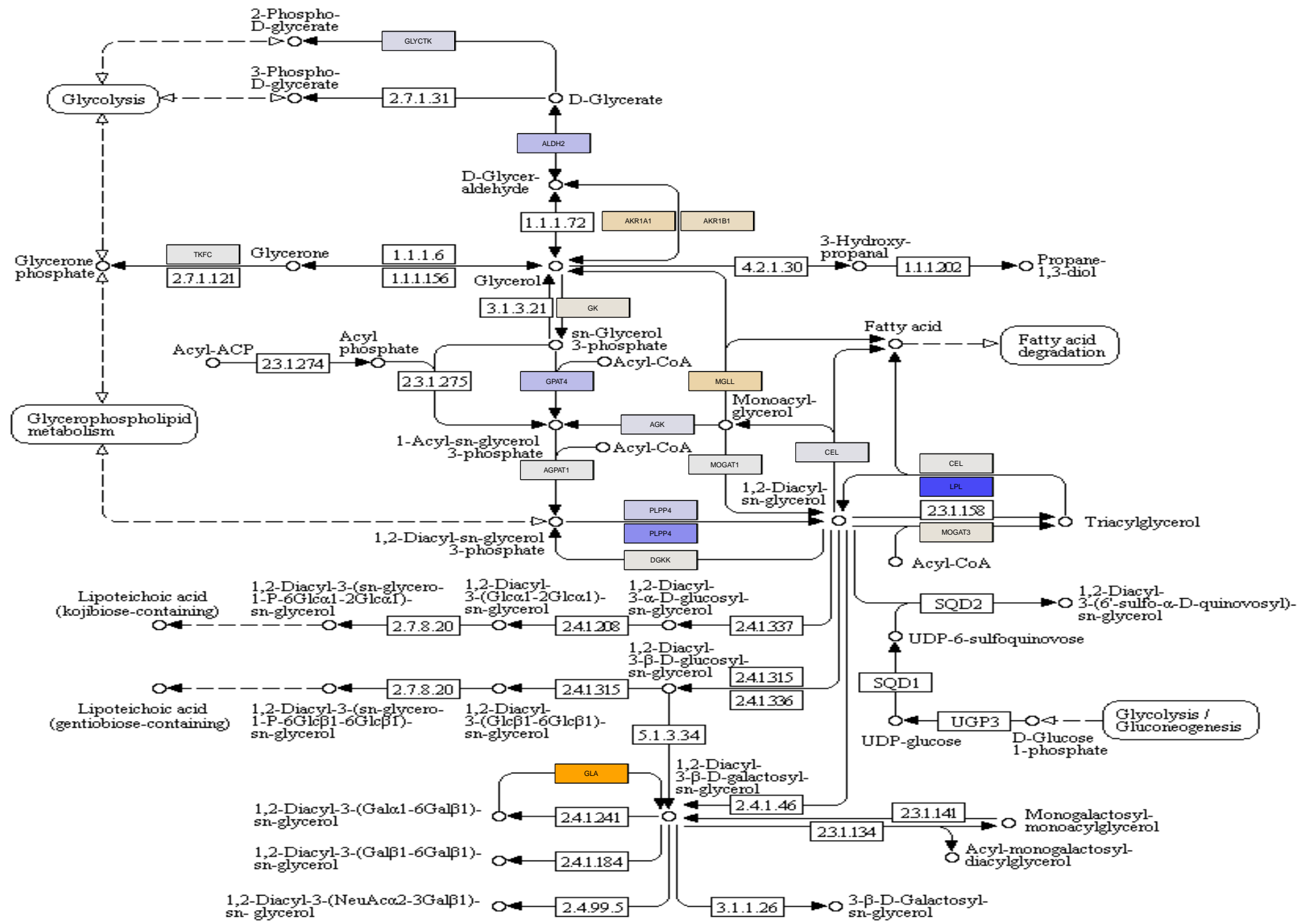
Glycerolipid_metabolism
sink nodes

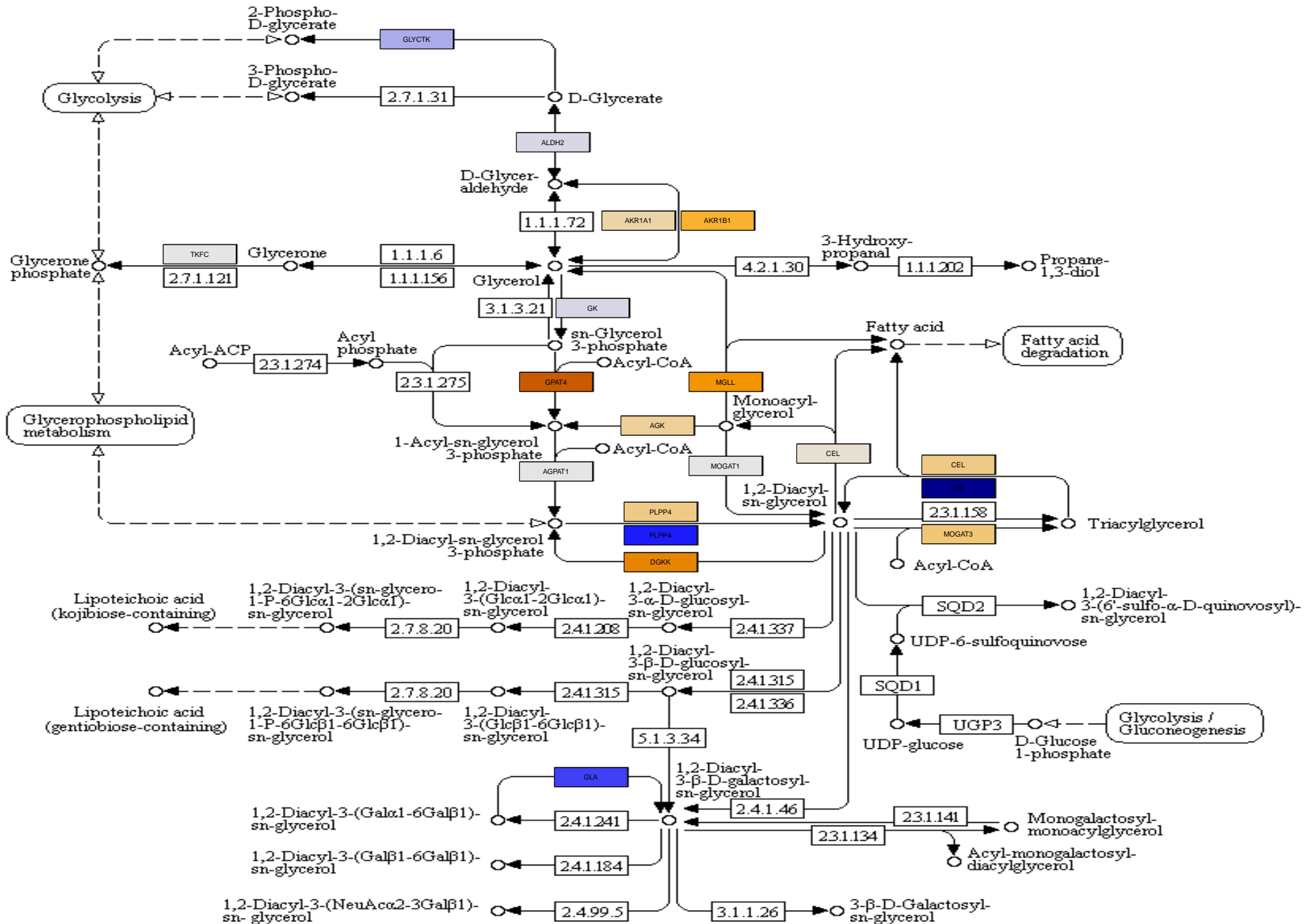


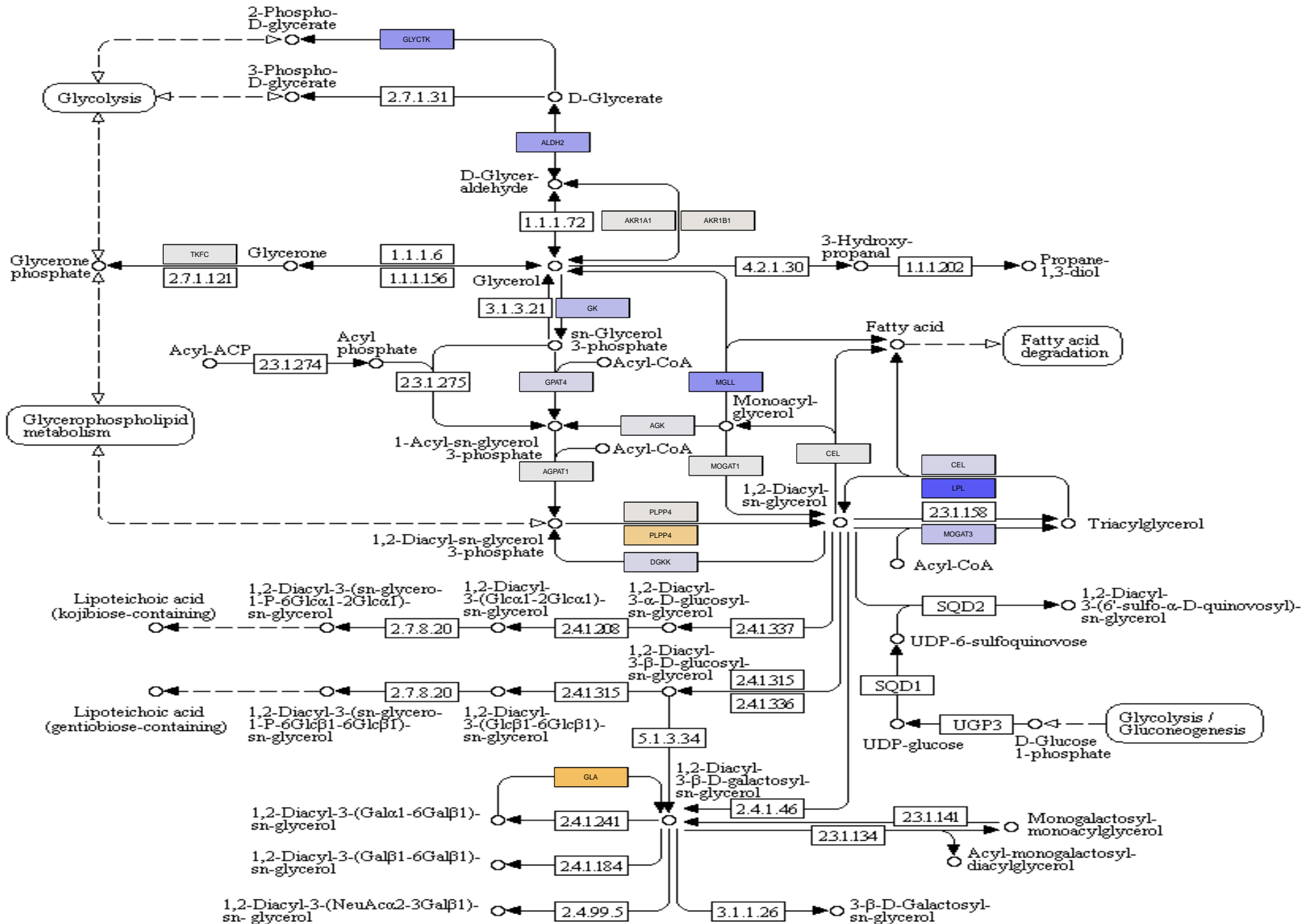
Glycerolipid_metabolism
group 1



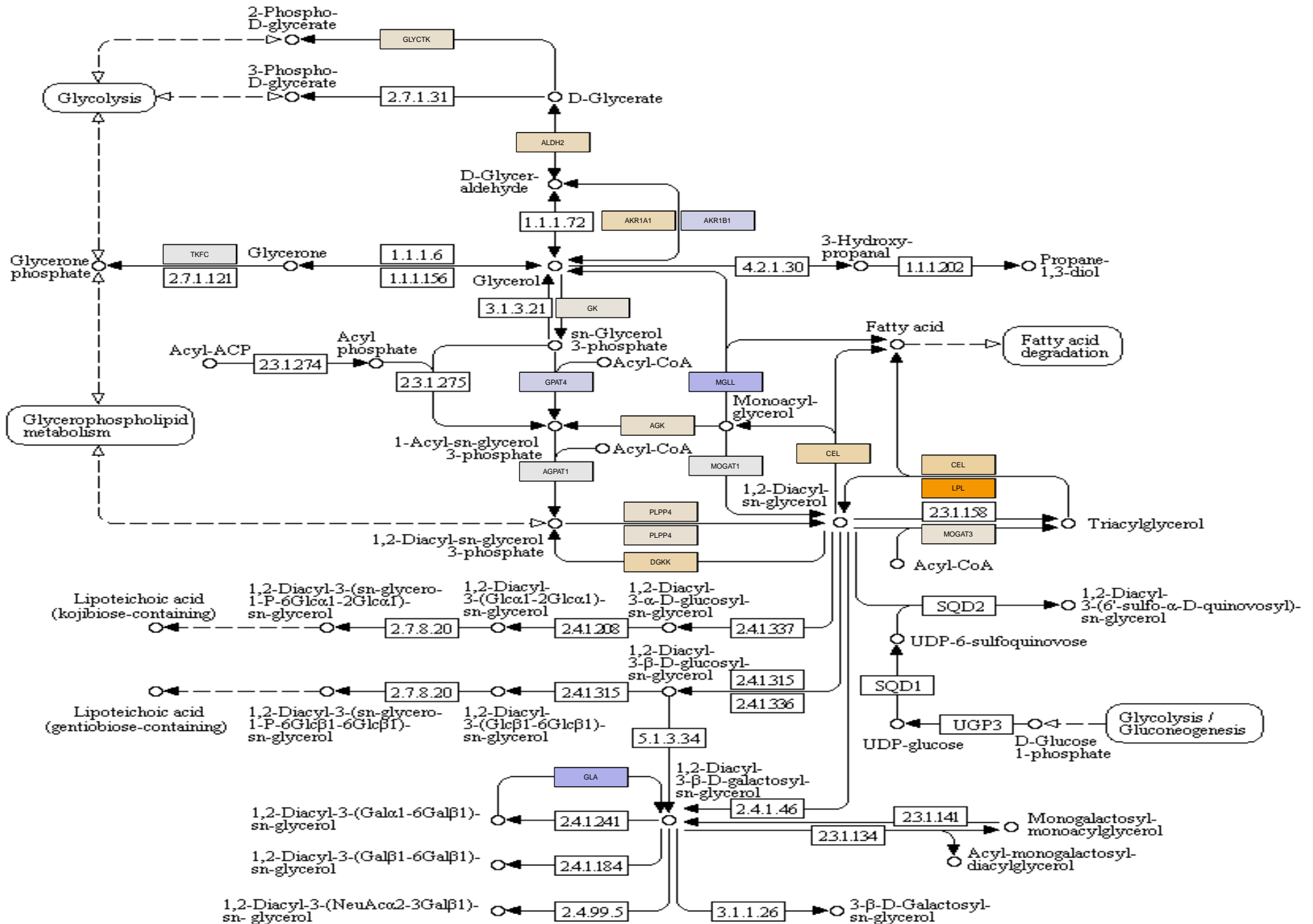
Glycerolipid_metabolism group 2



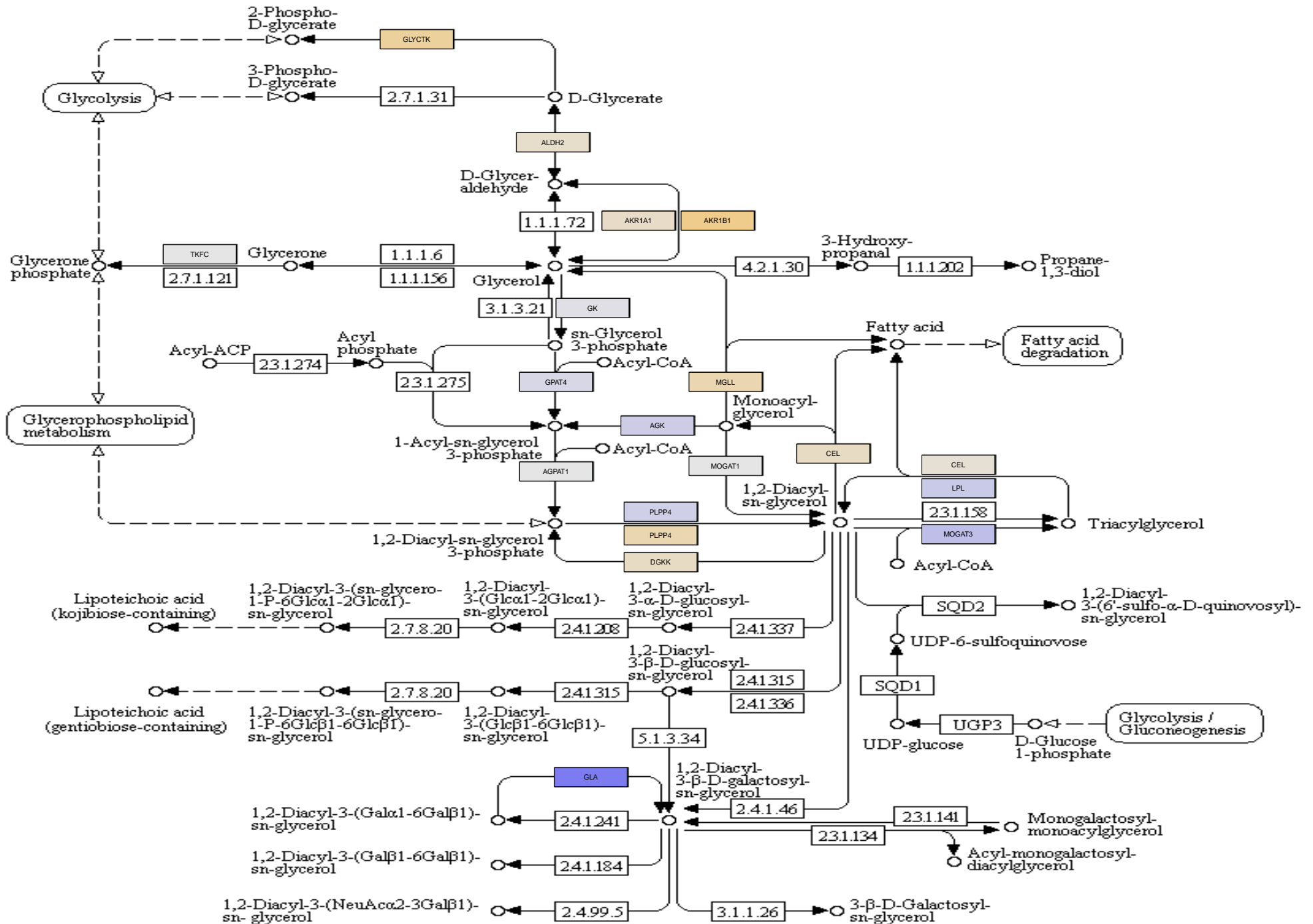


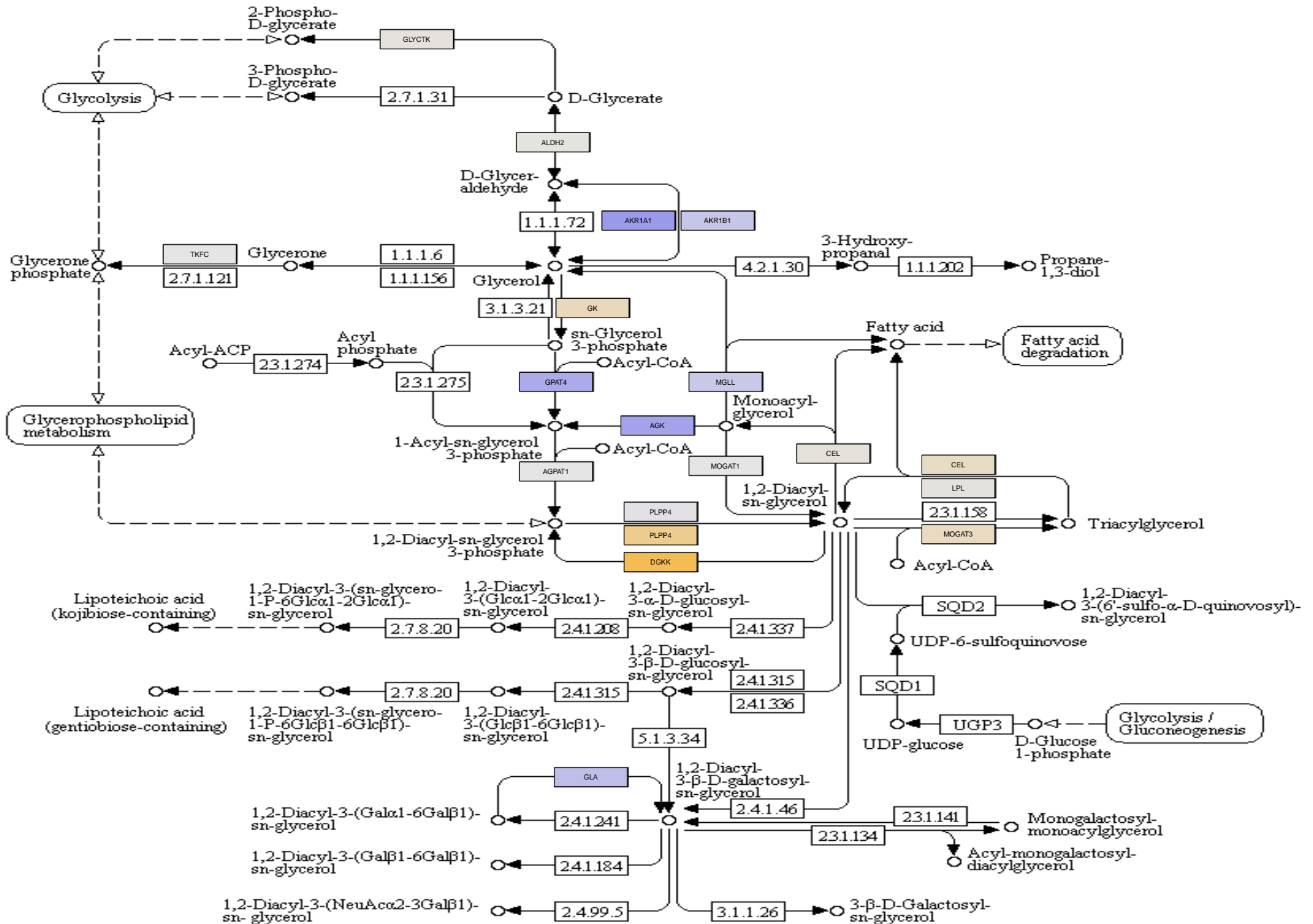


Glycerolipid_metabolism
group 5



Glycerolipid_metabolism
group 6





Glycerolipid_metabolism
group 8

