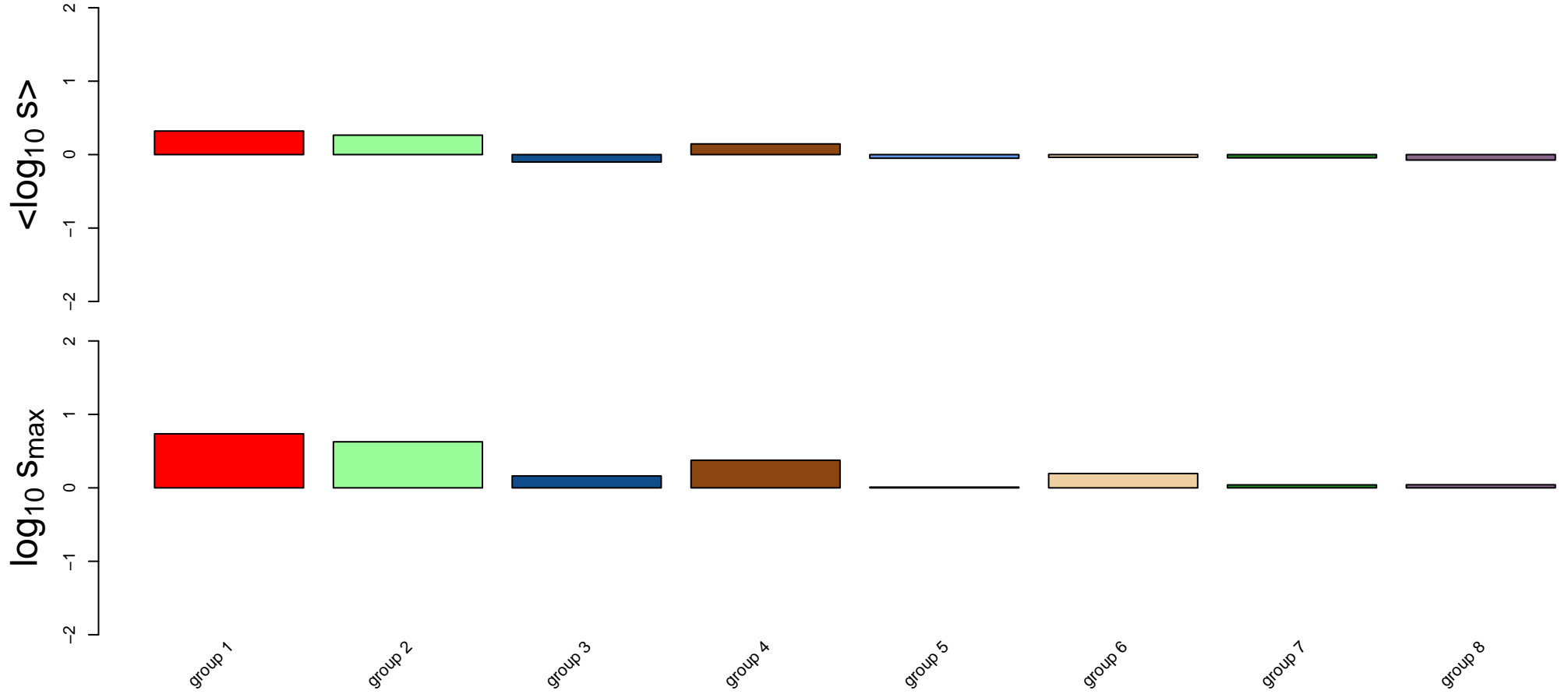
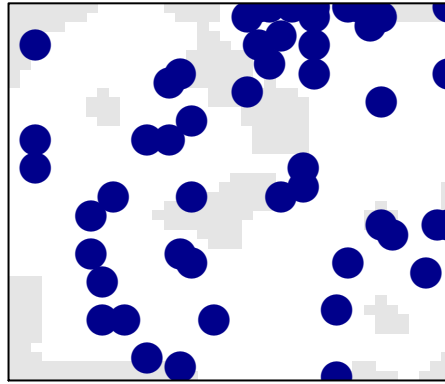
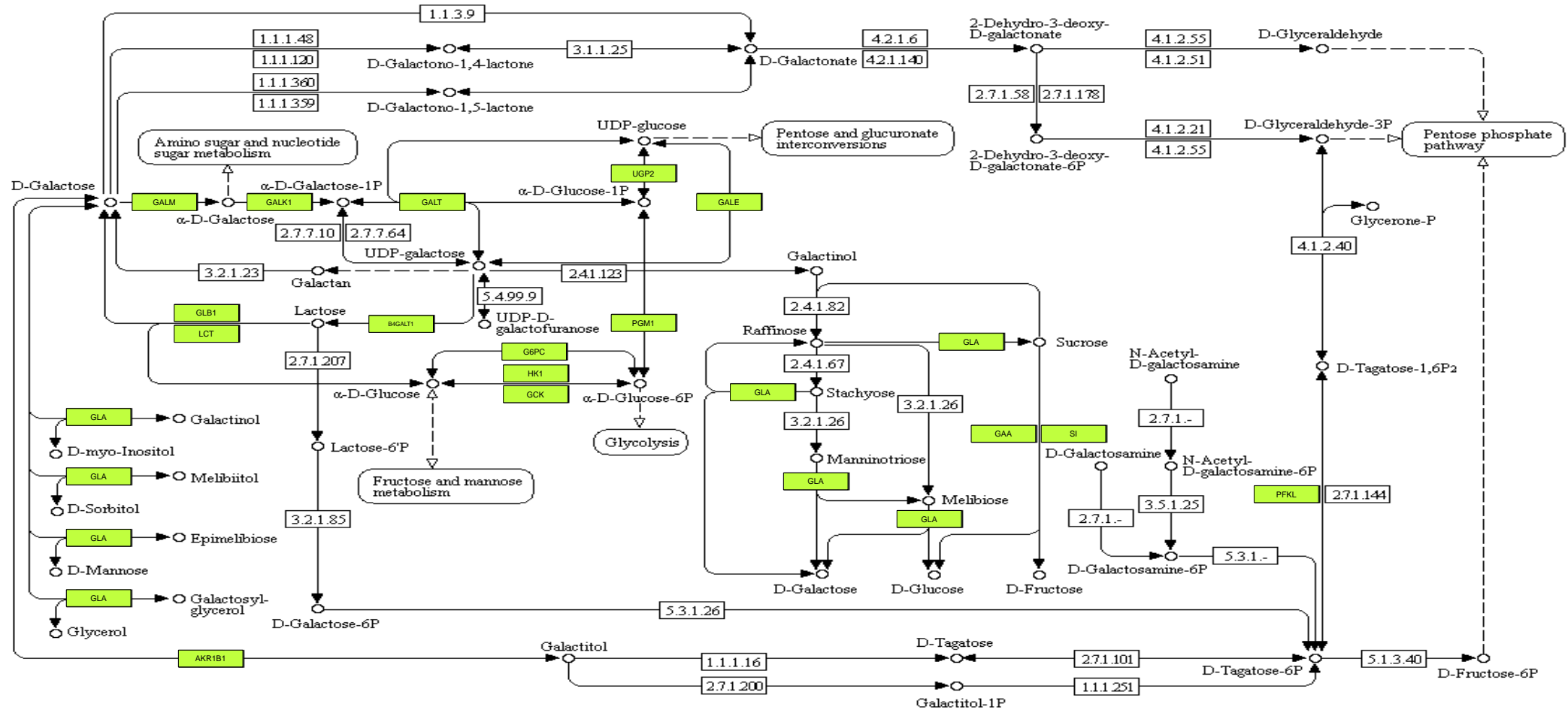


# Galactose metabolism

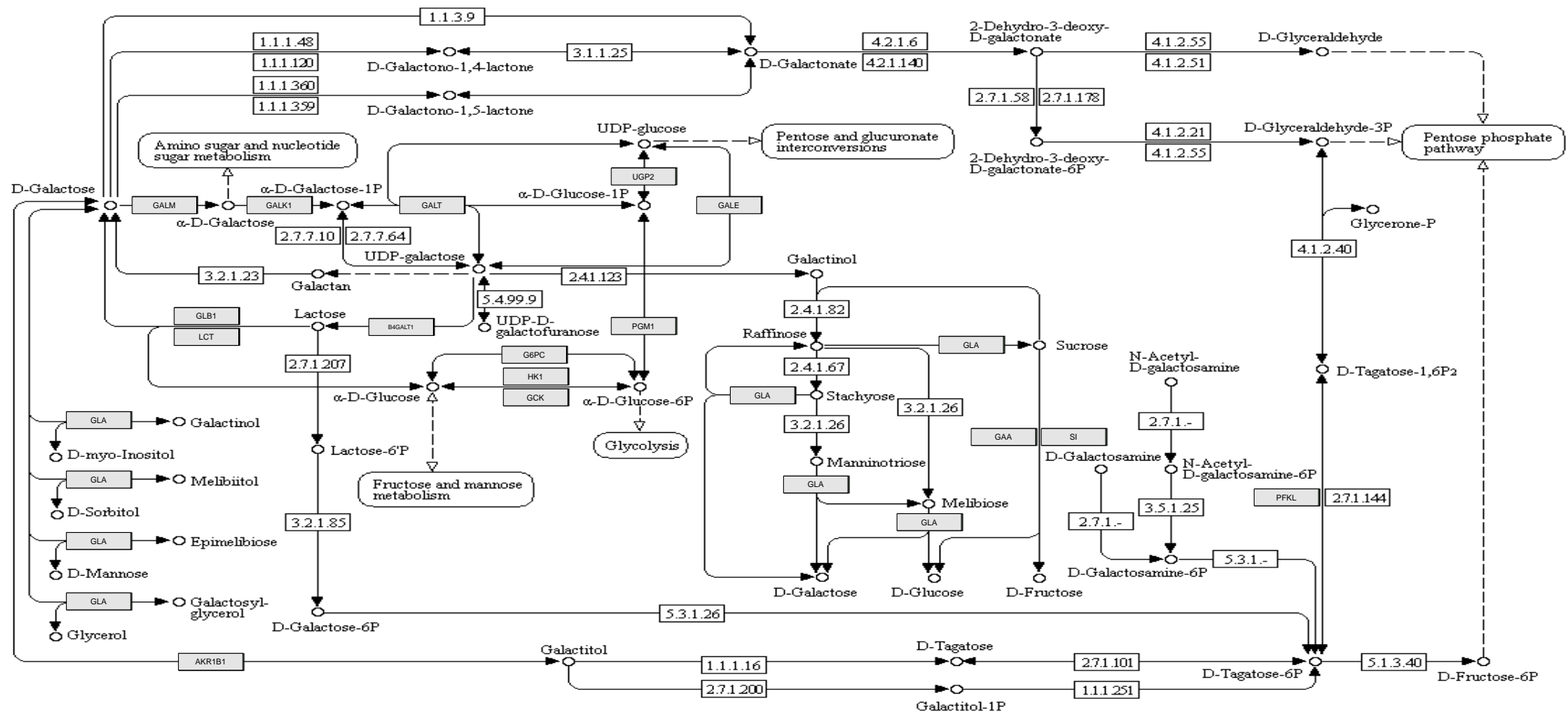
all genes



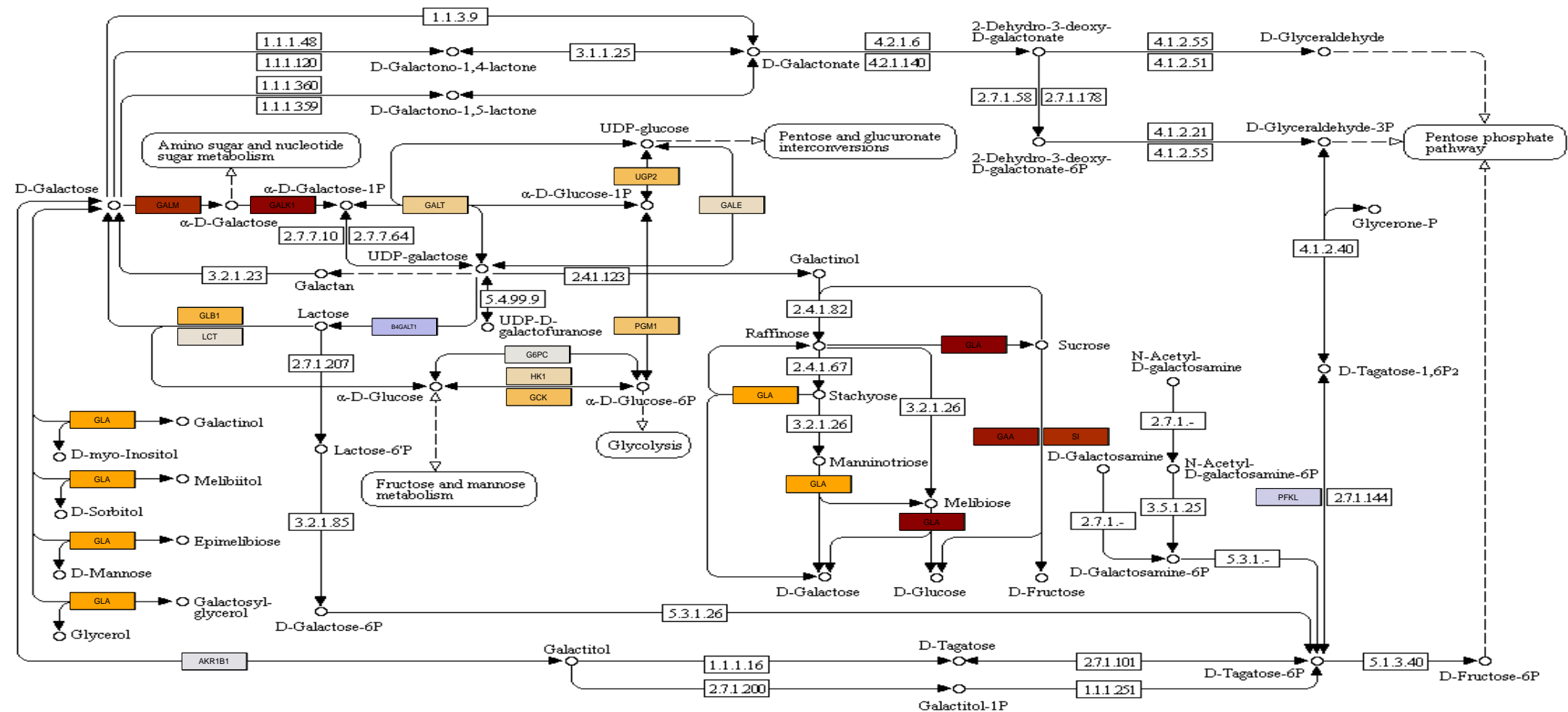
Galactose\_metabolism  
genes with data



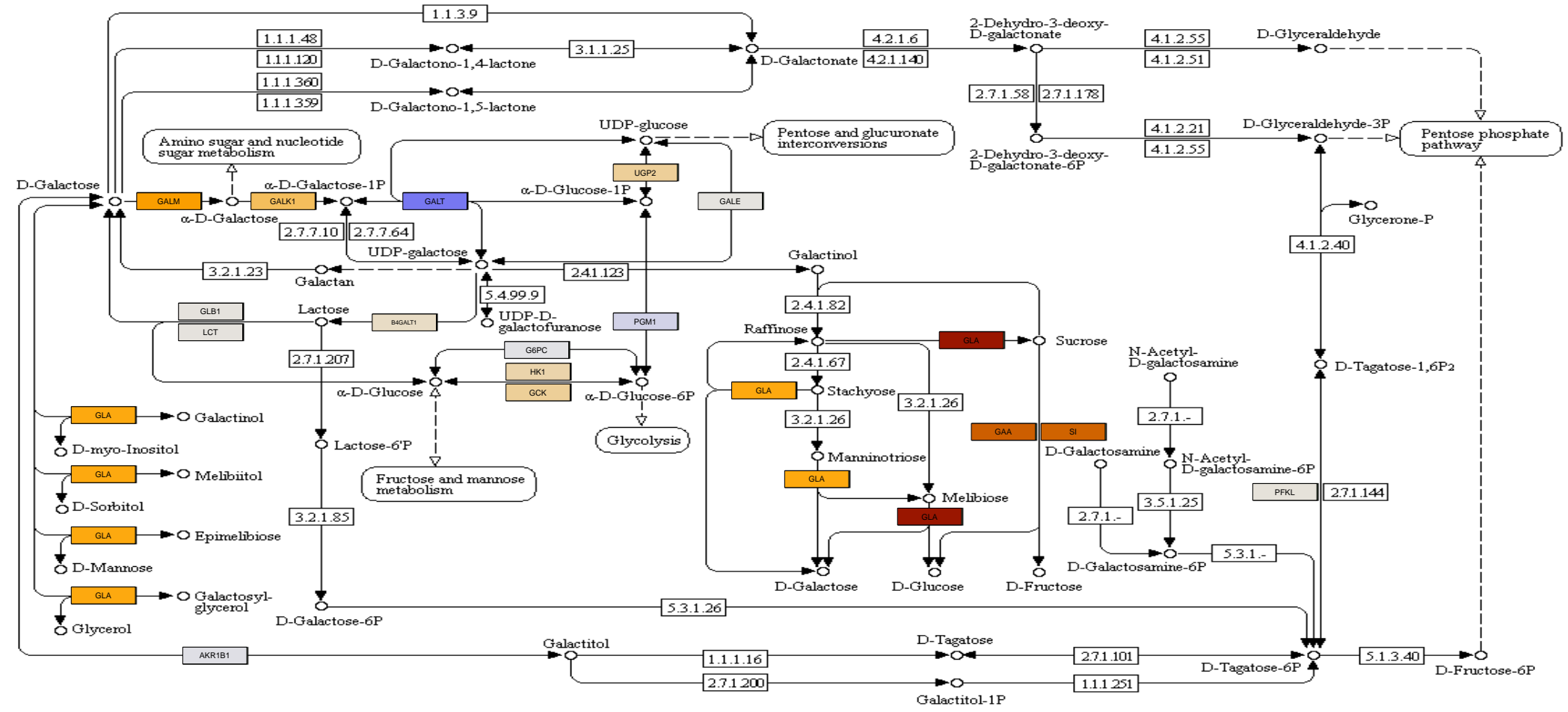
Galactose\_metabolism  
sink nodes



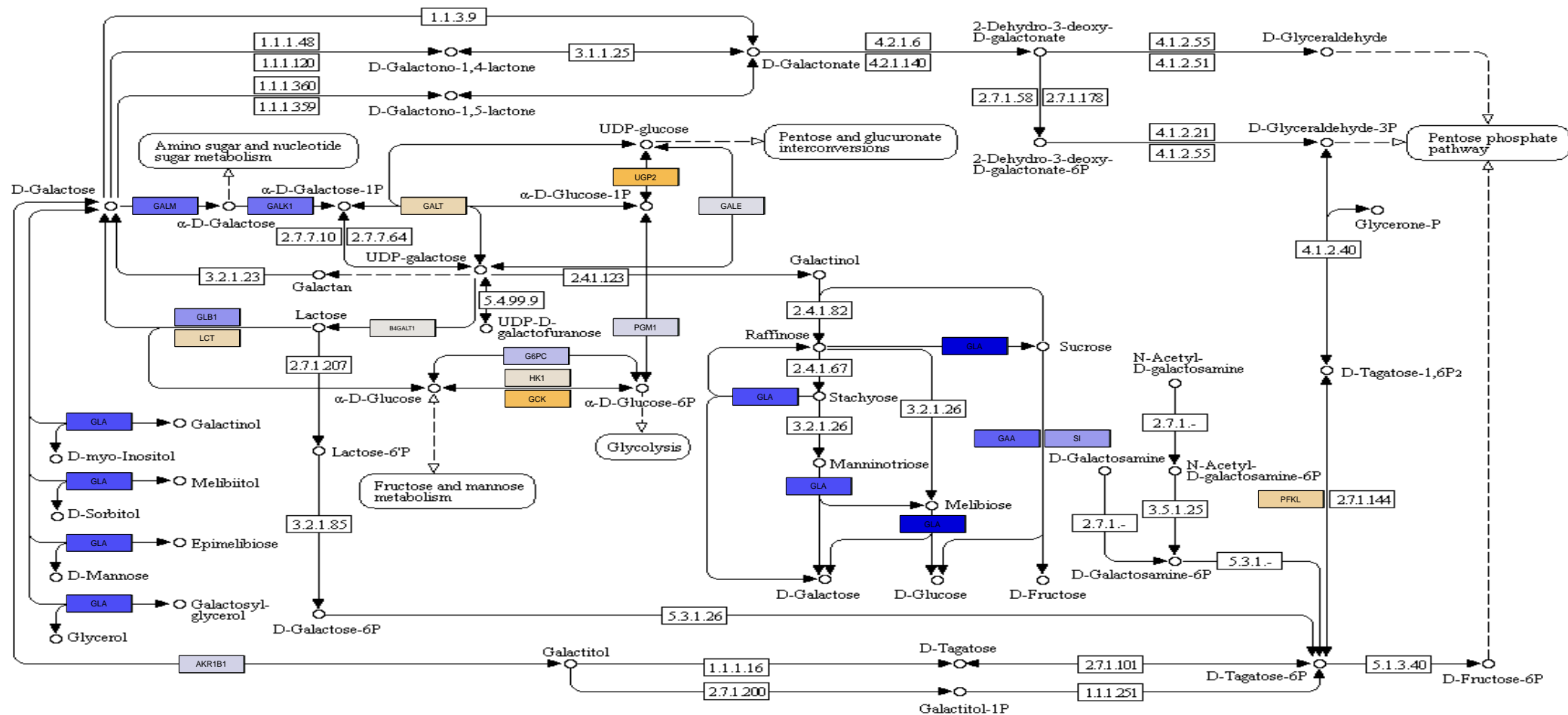
Galactose\_metabolism group 1



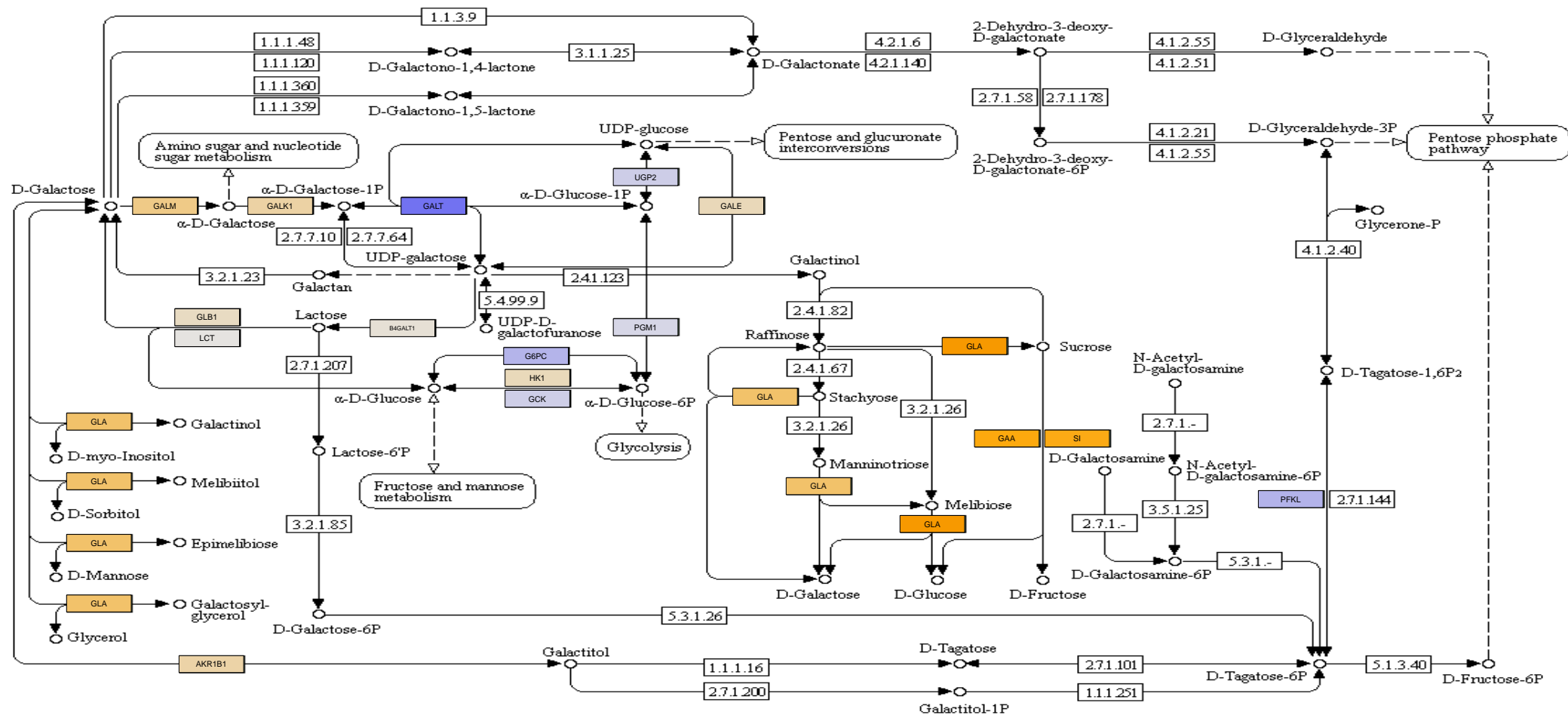
Galactose\_metabolism group 2



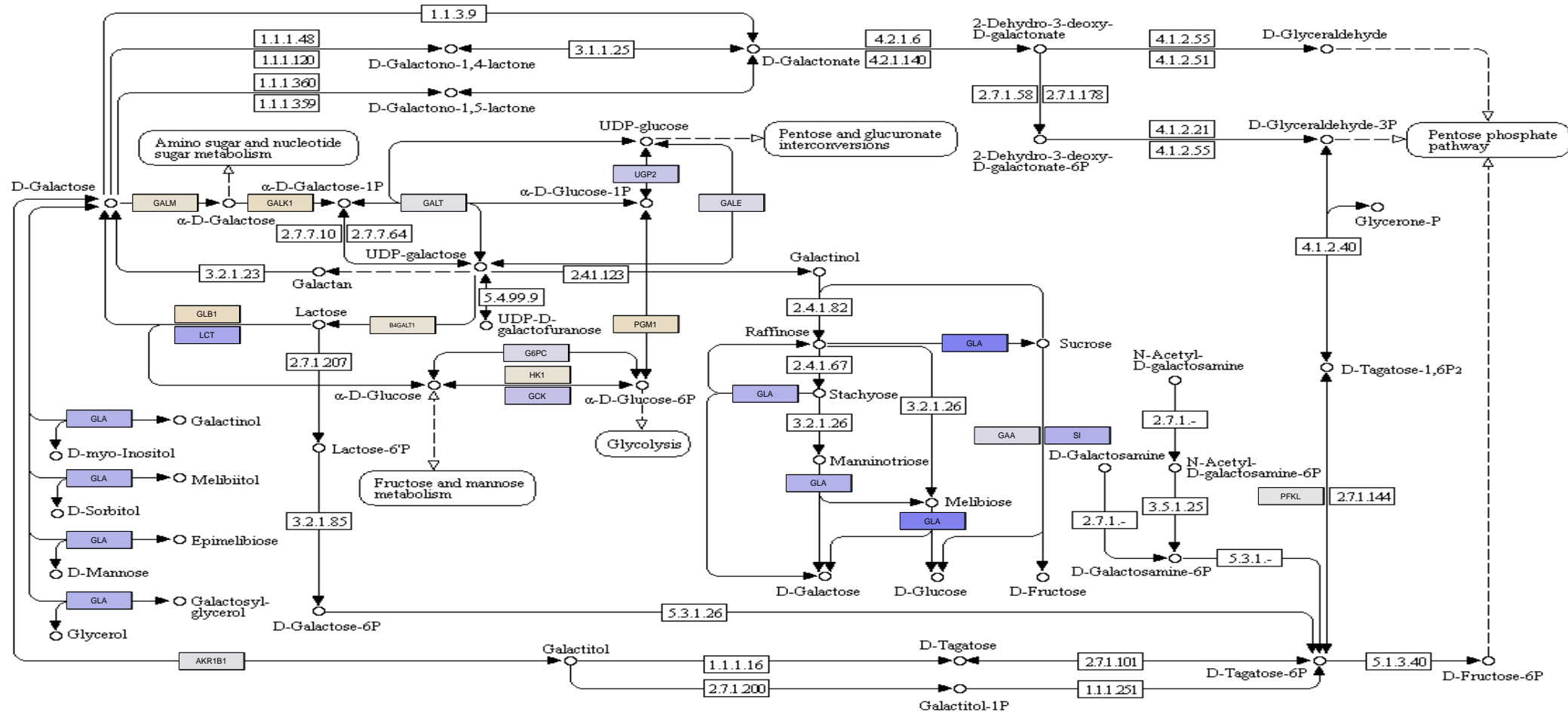
Galactose\_metabolism group 3



Galactose\_metabolism group 4

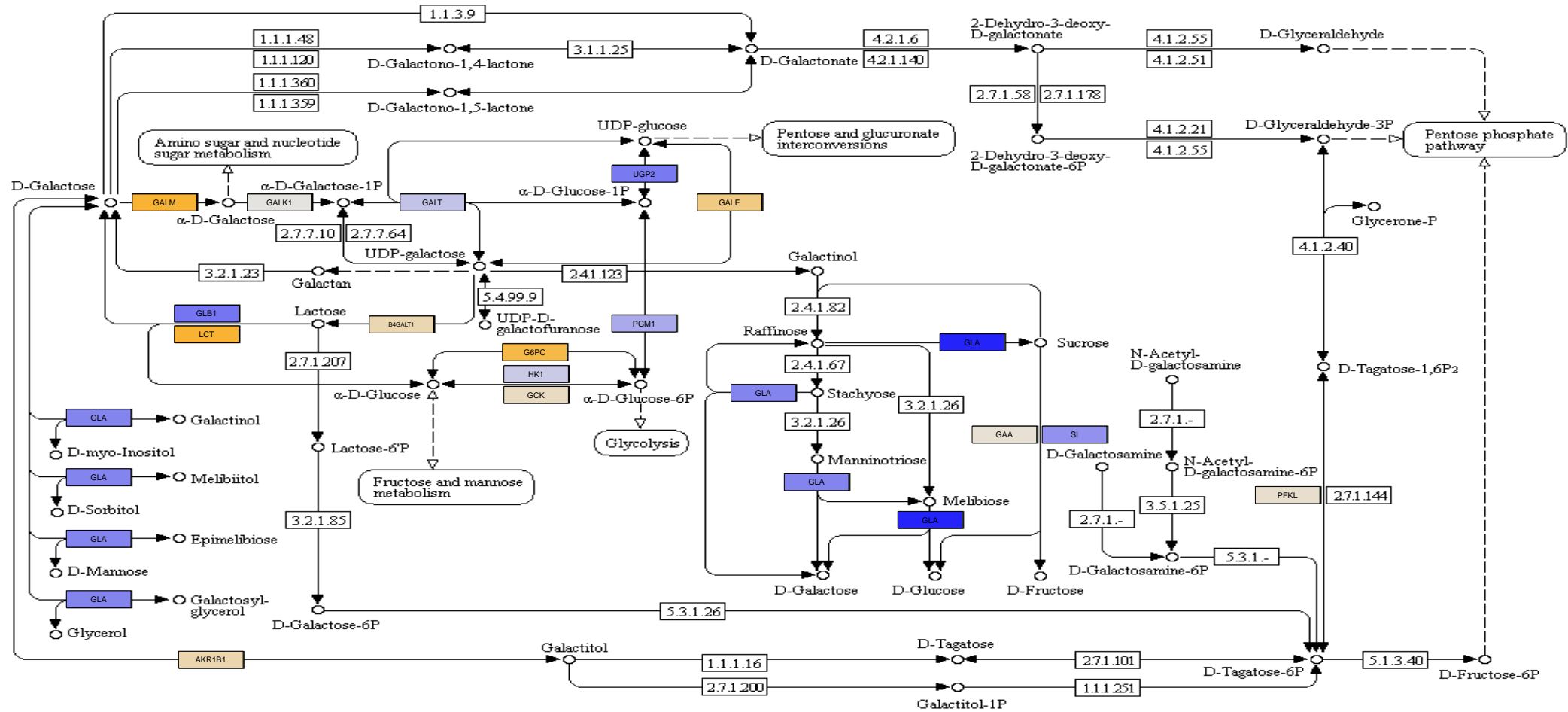


Galactose\_metabolism group 5

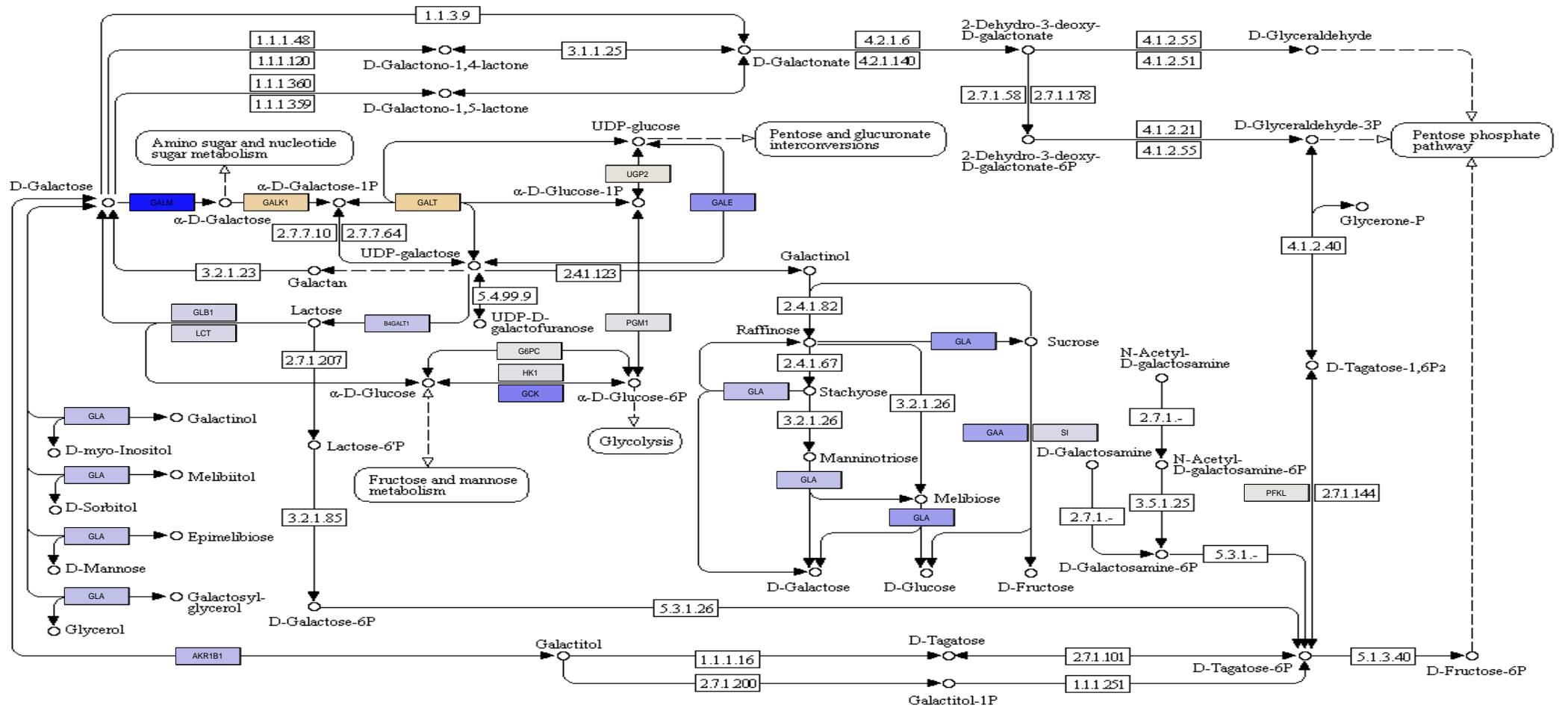




Galactose\_metabolism  
group 6



Galactose\_metabolism  
group 7



Galactose\_metabolism group 8

