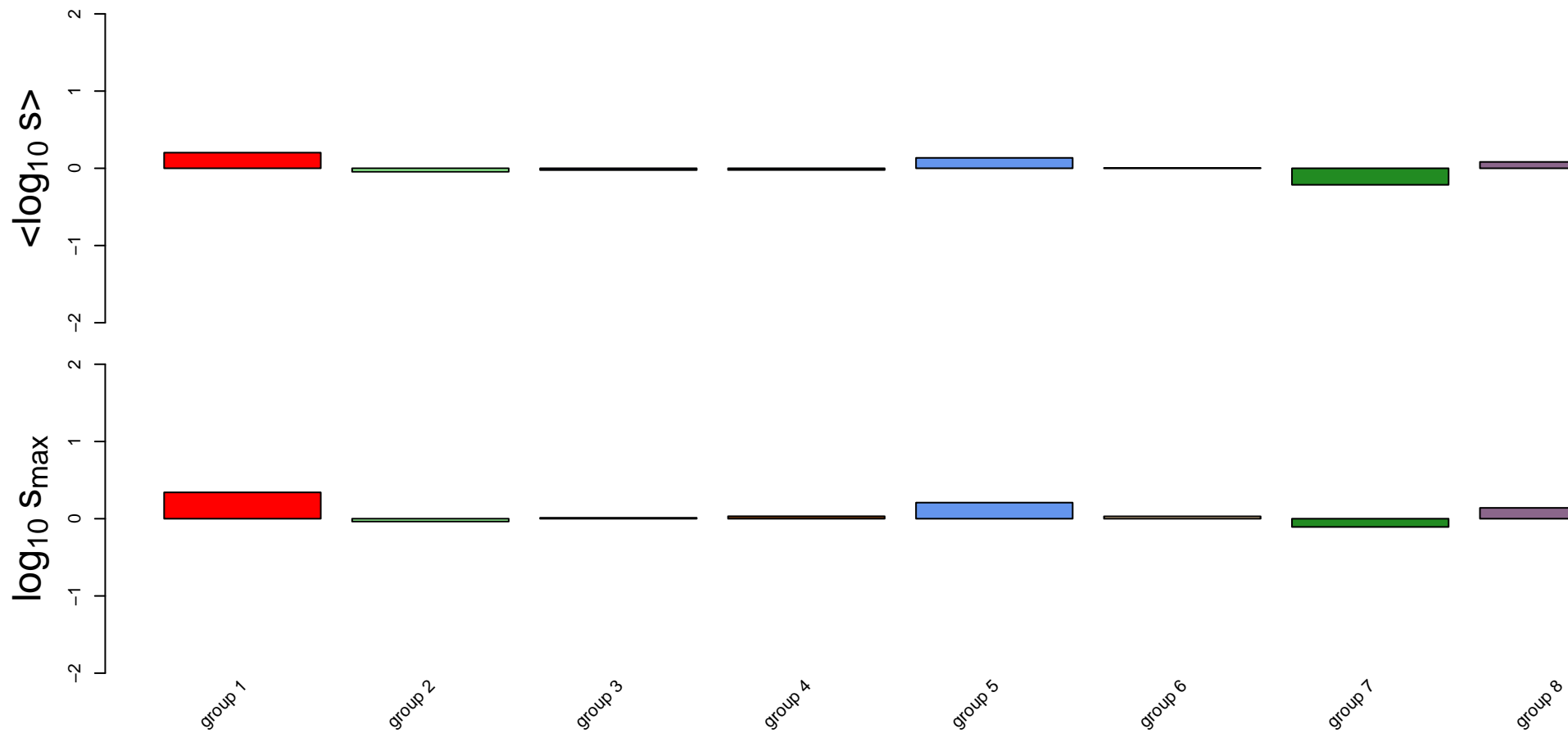
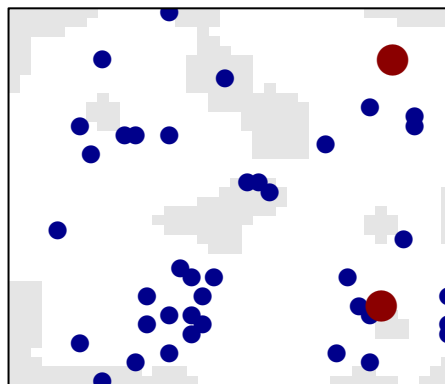
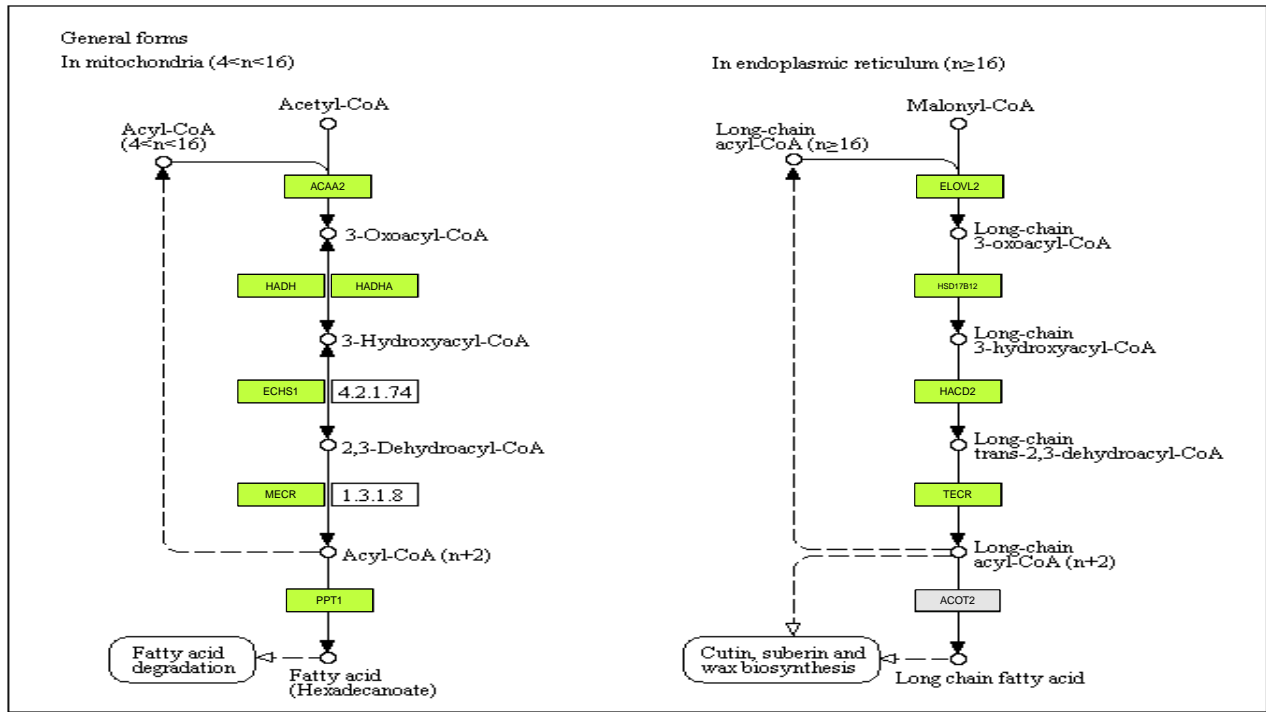
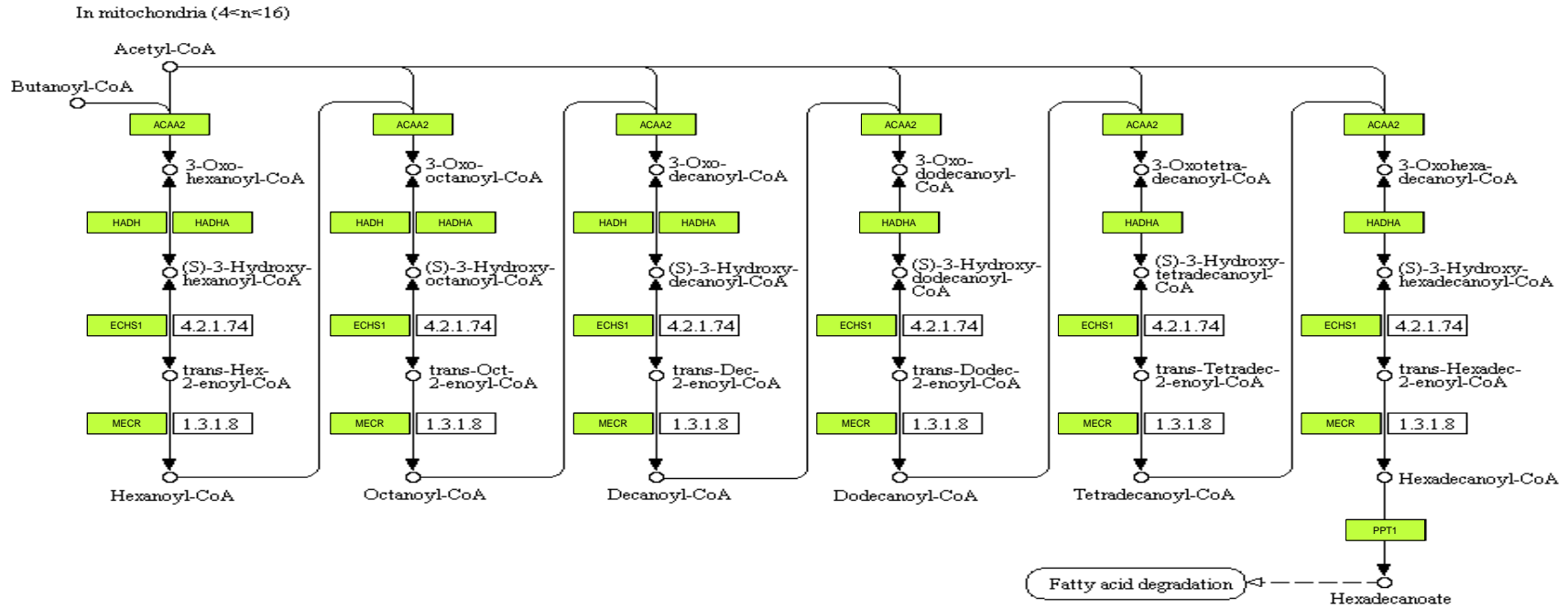


Fatty acid elongation

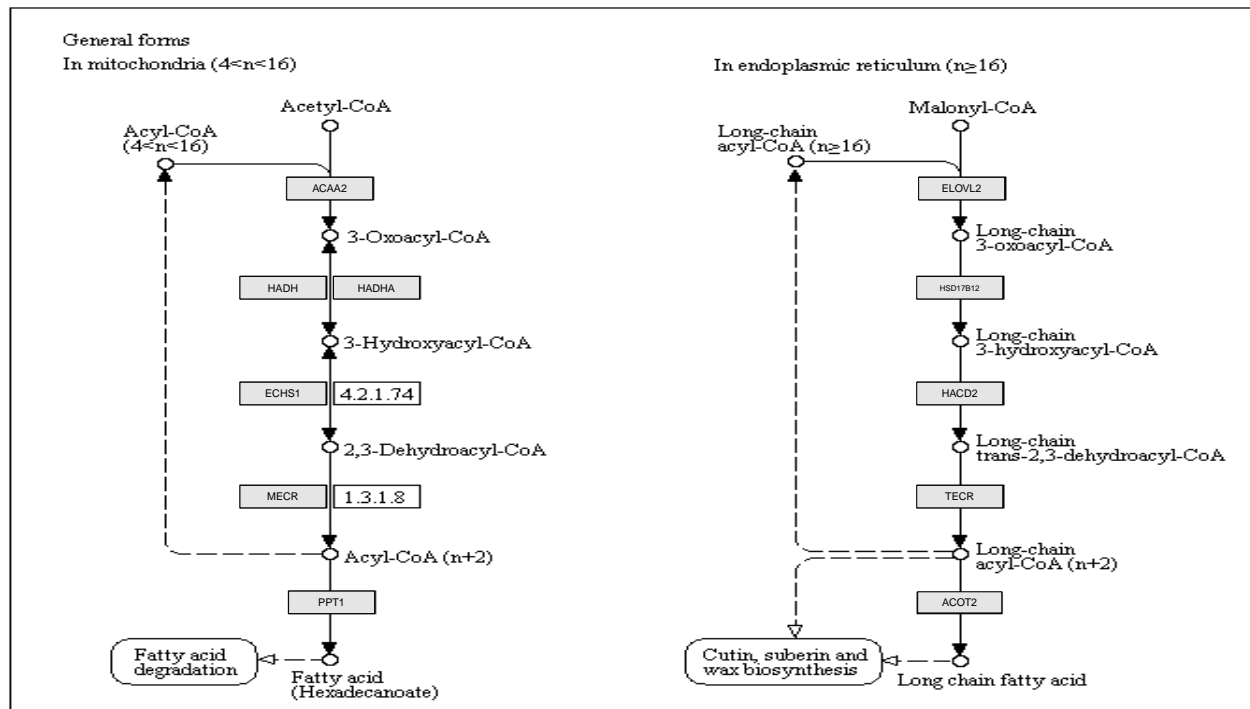
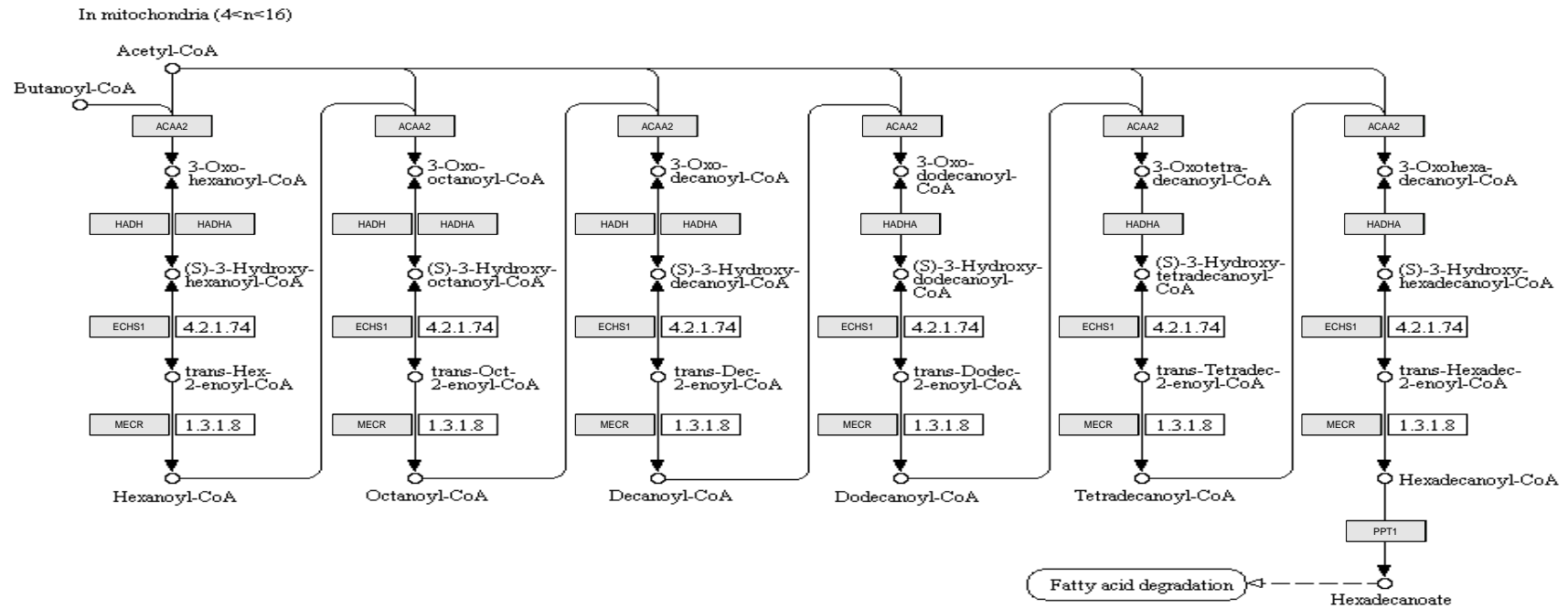
all genes



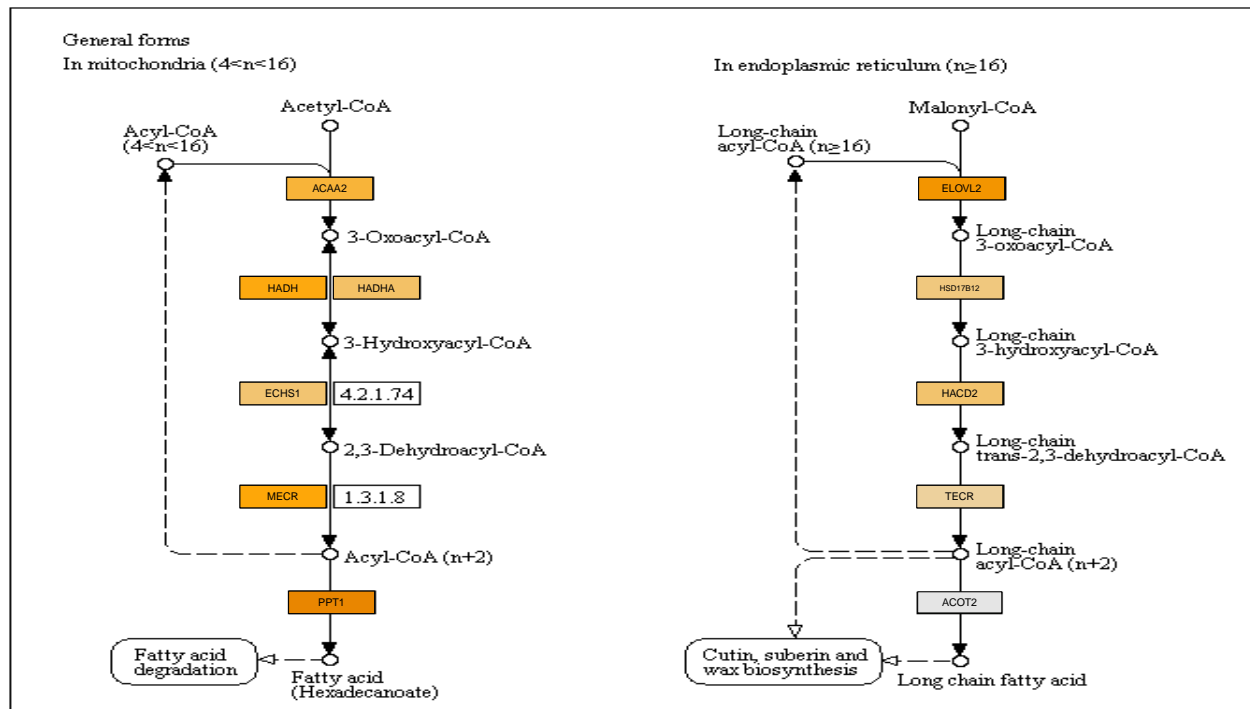
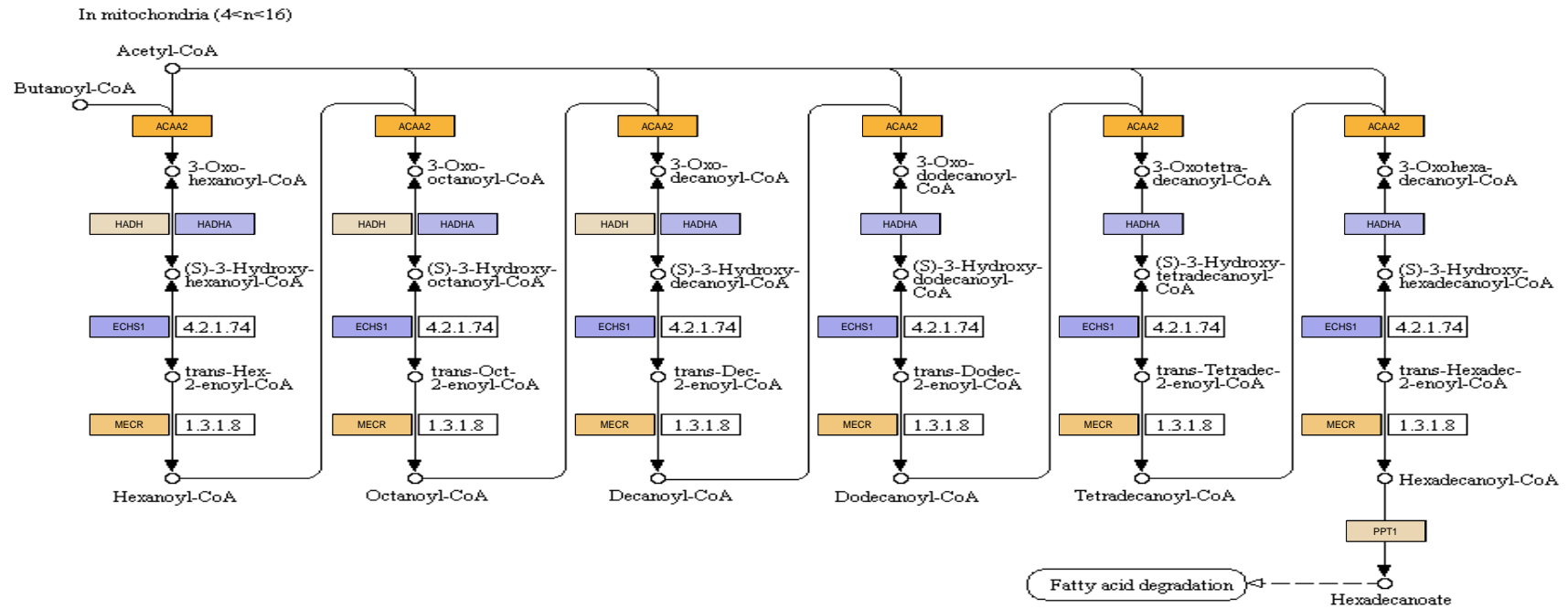
Fatty_acid_elongation
genes with data



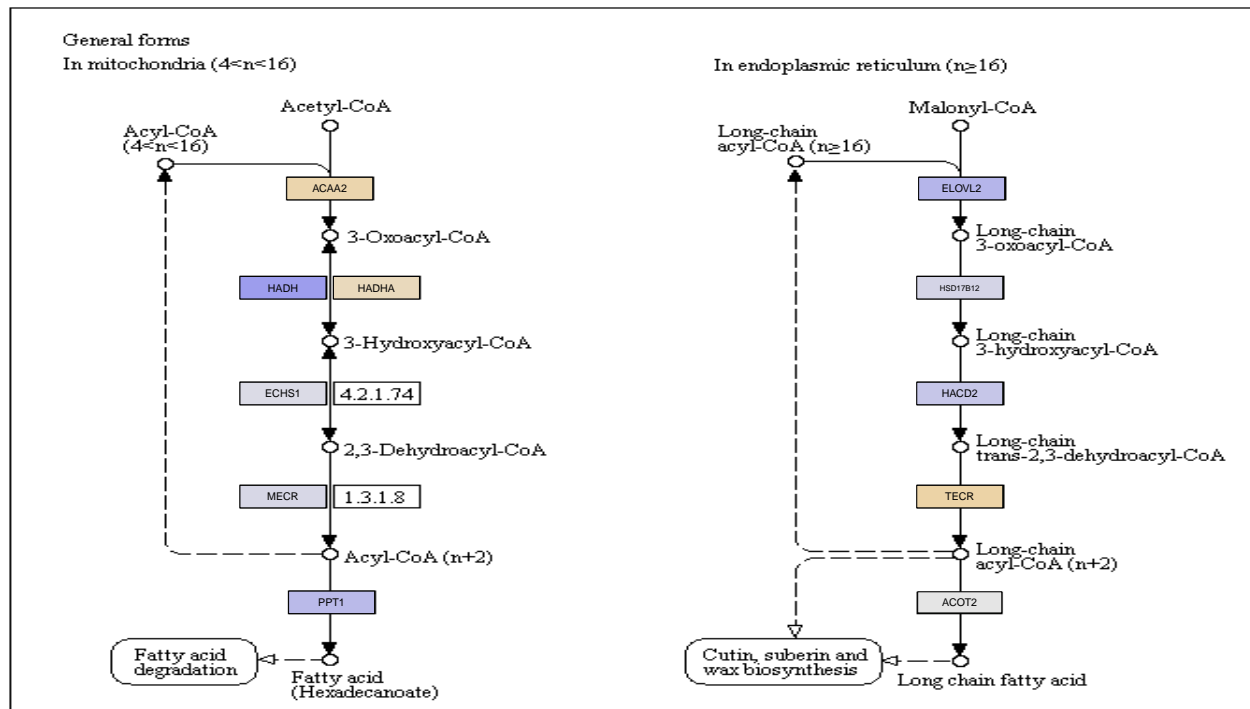
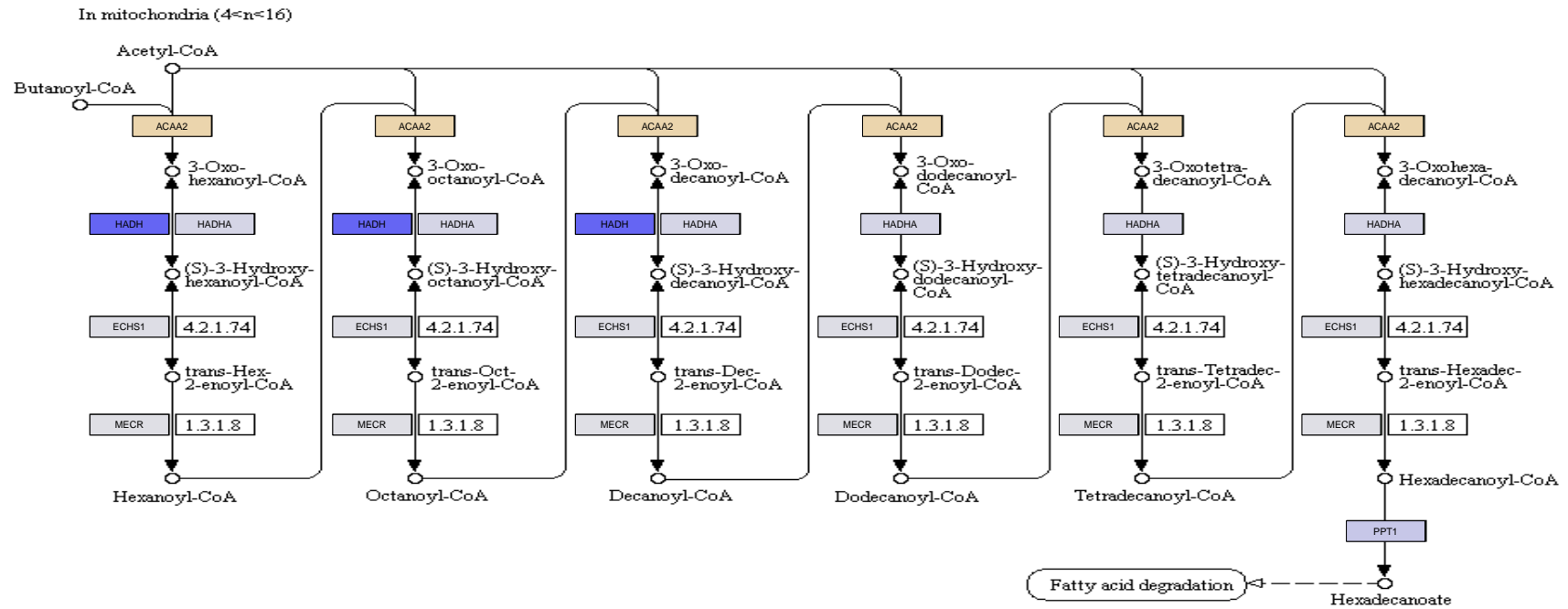
Fatty_acid_elongation
sink nodes



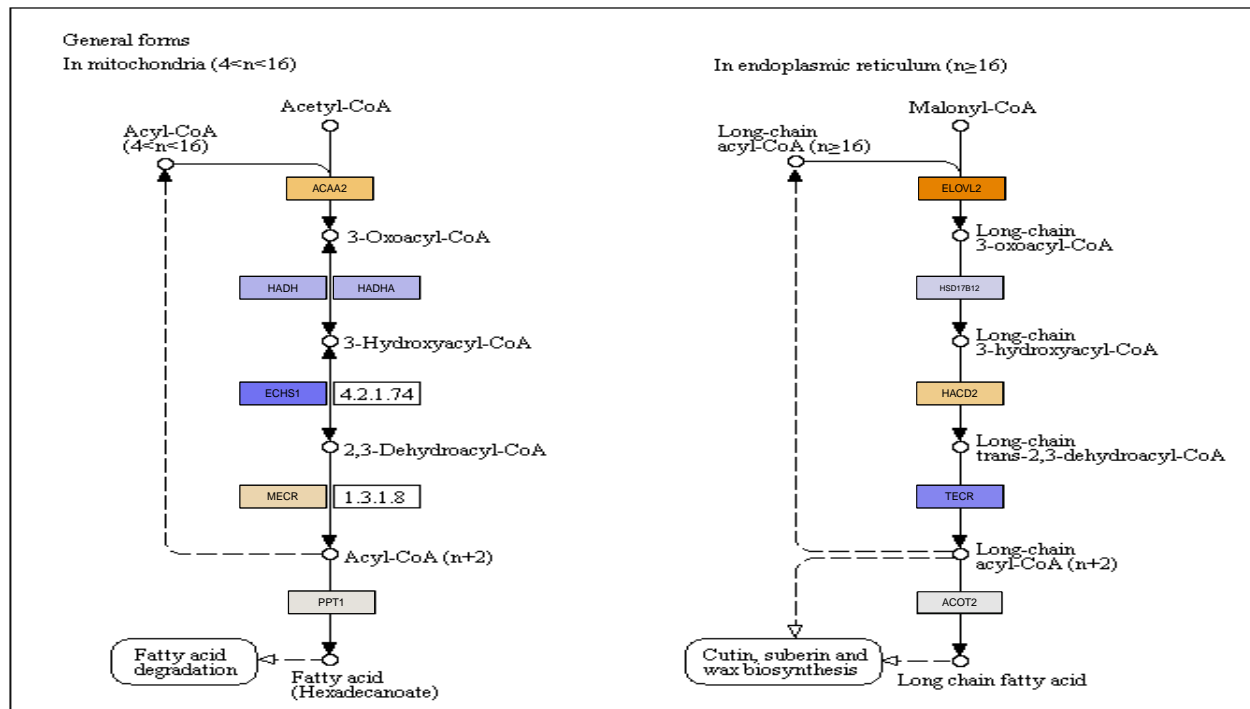
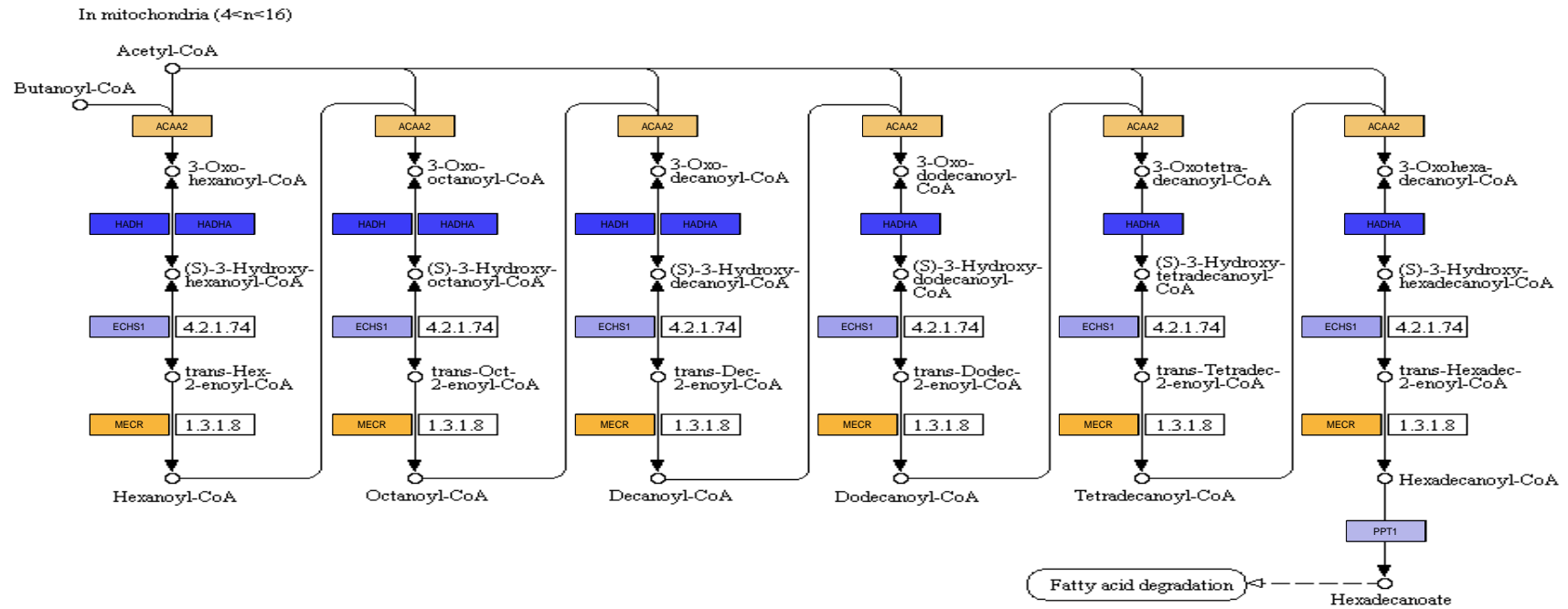
Fatty_acid_elongation
group 1



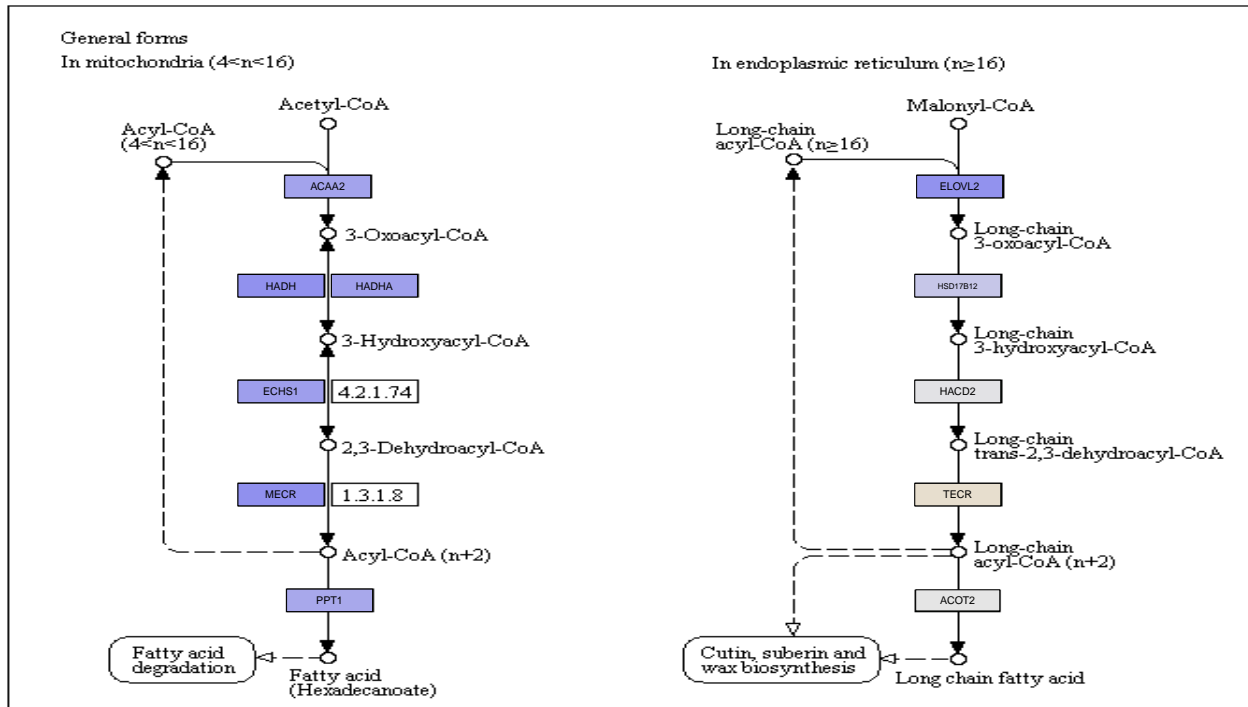
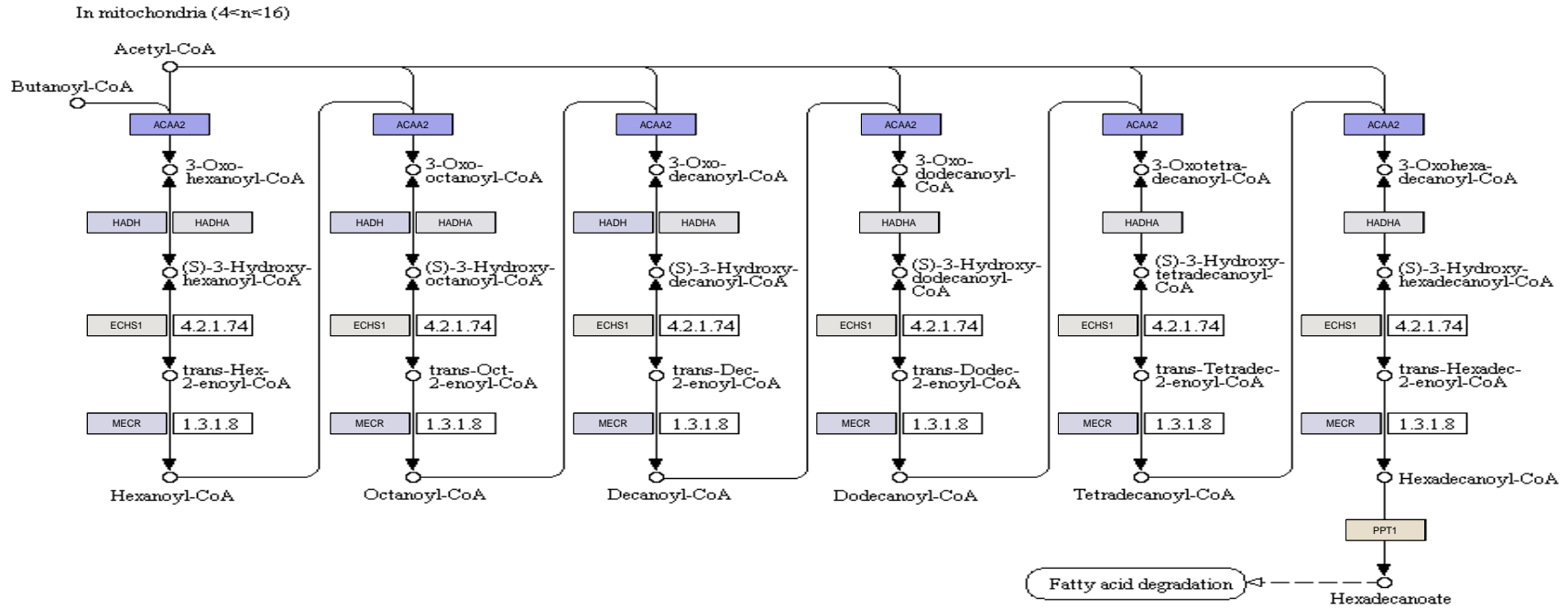
Fatty_acid_elongation
group 2



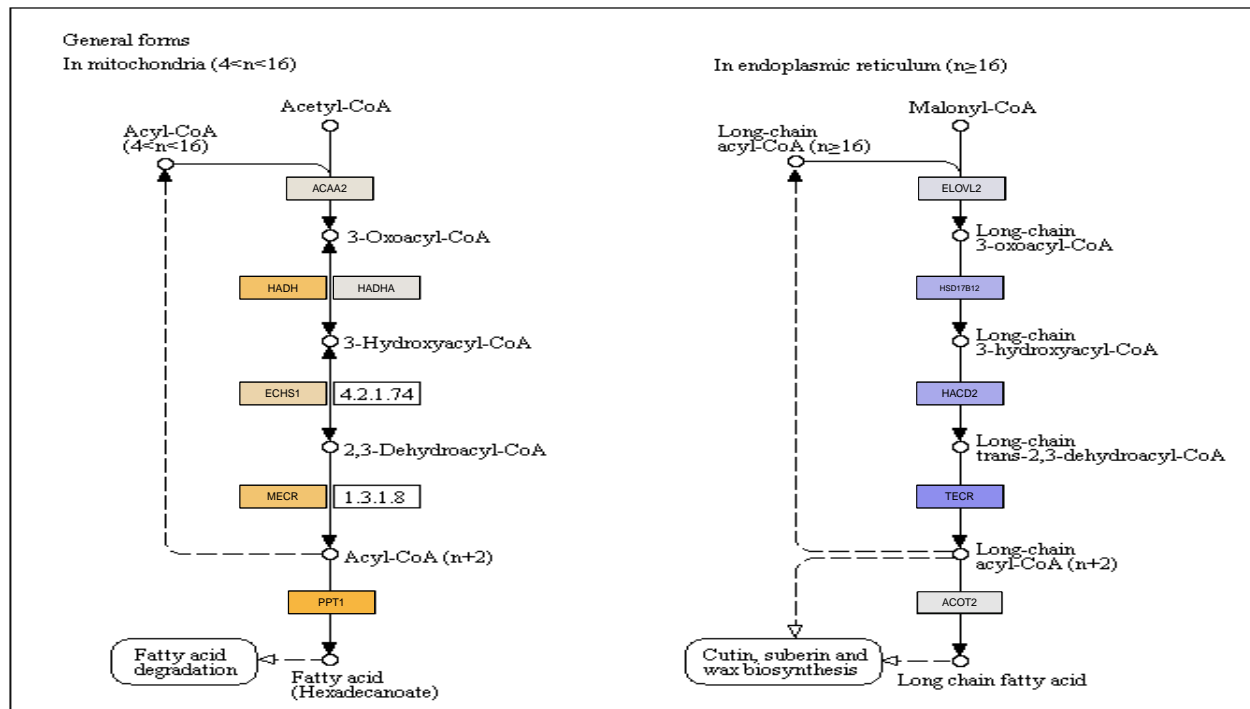
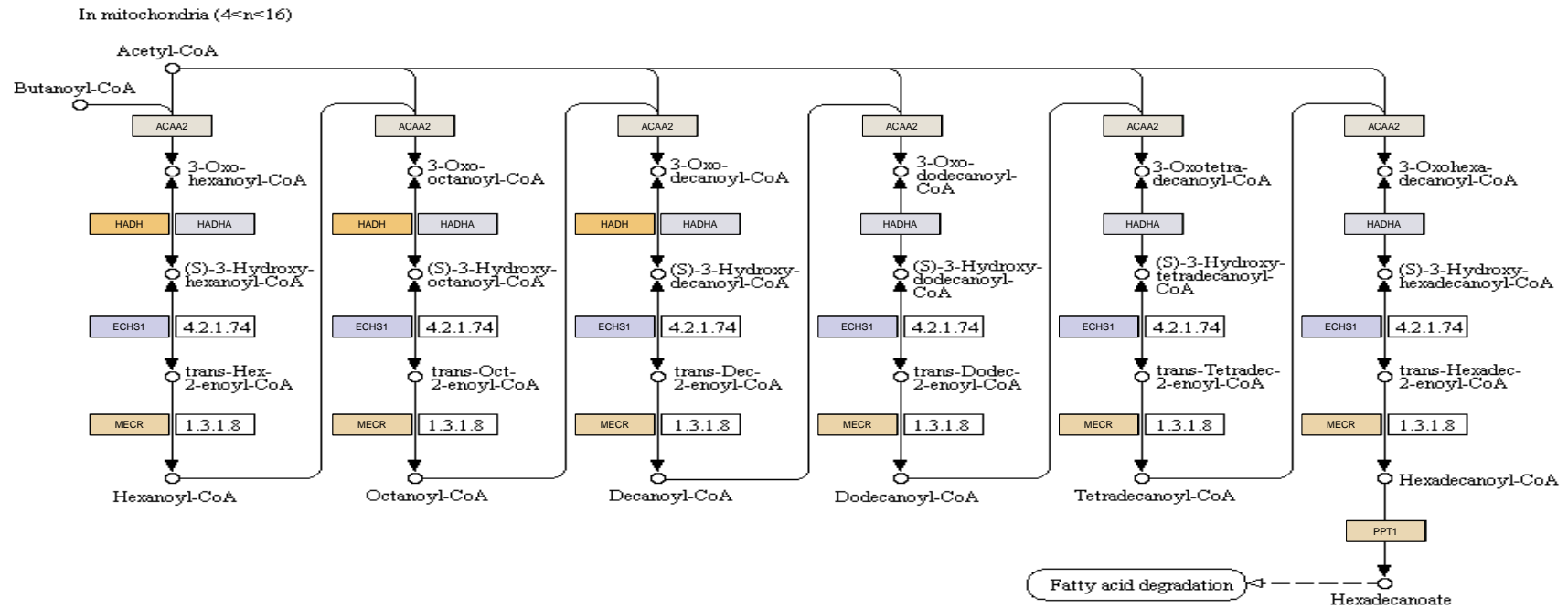
Fatty_acid_elongation
group 3



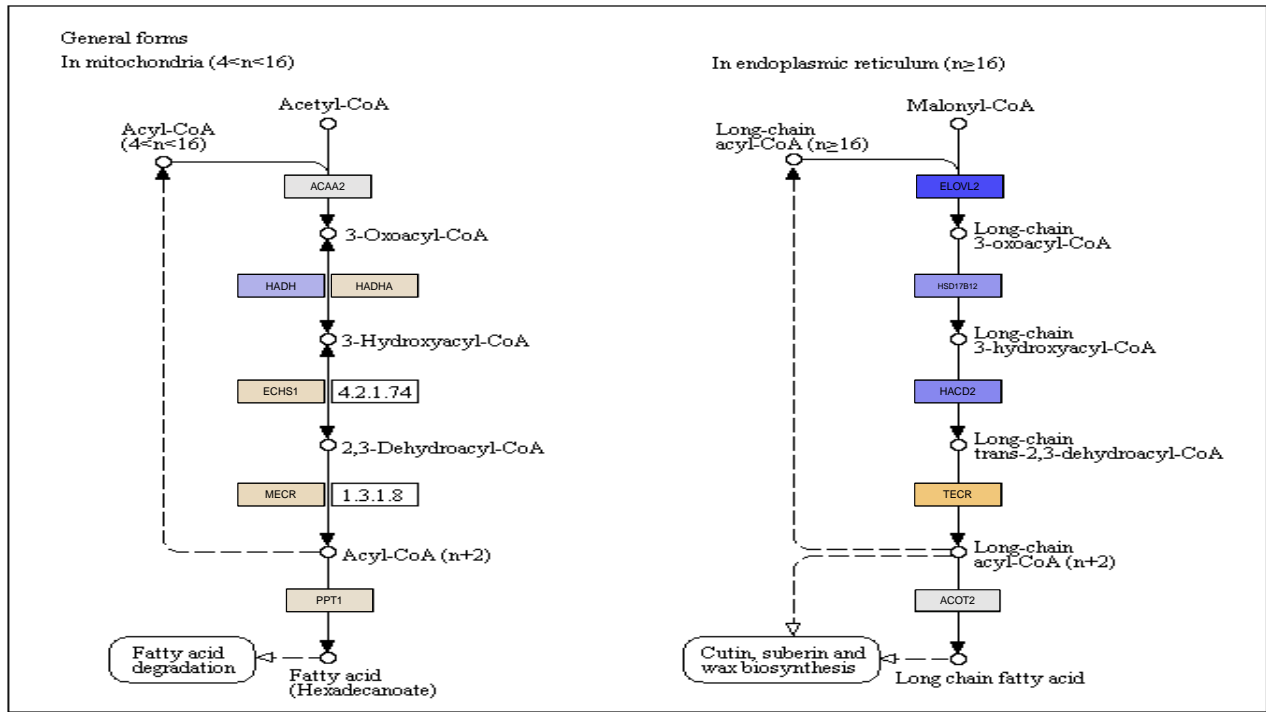
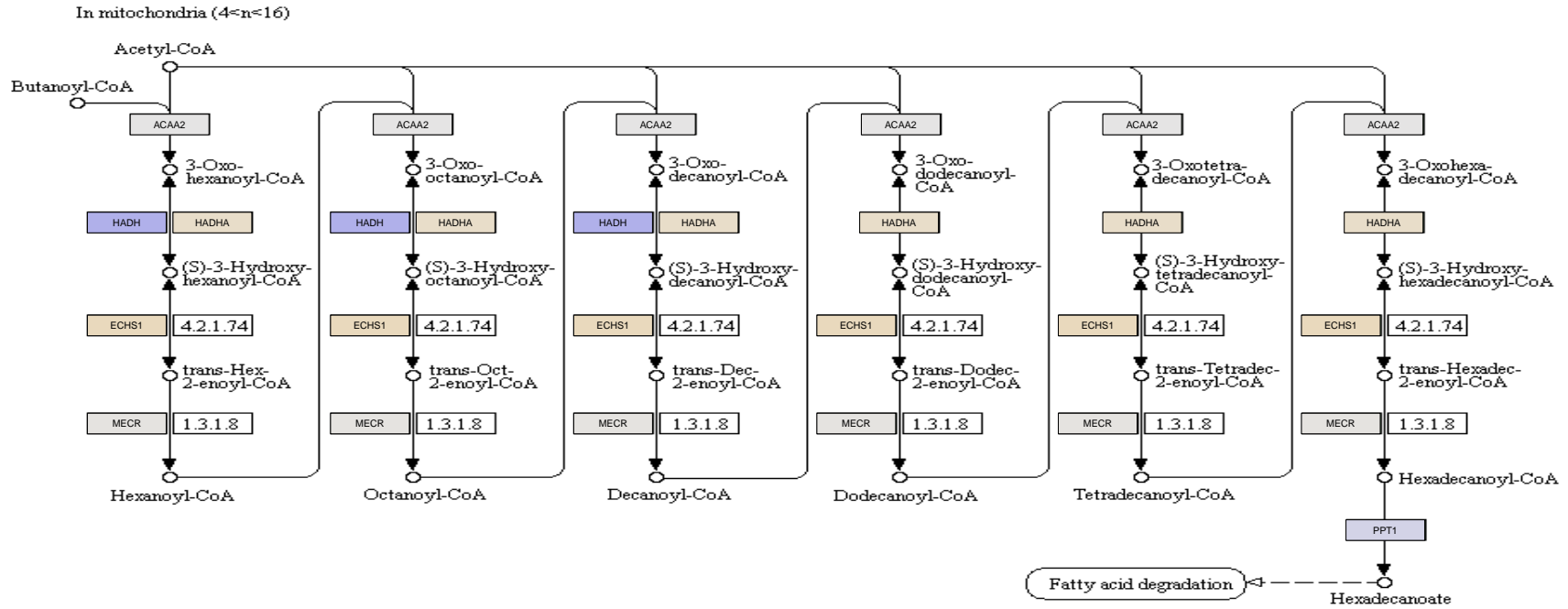
Fatty_acid_elongation
group 4



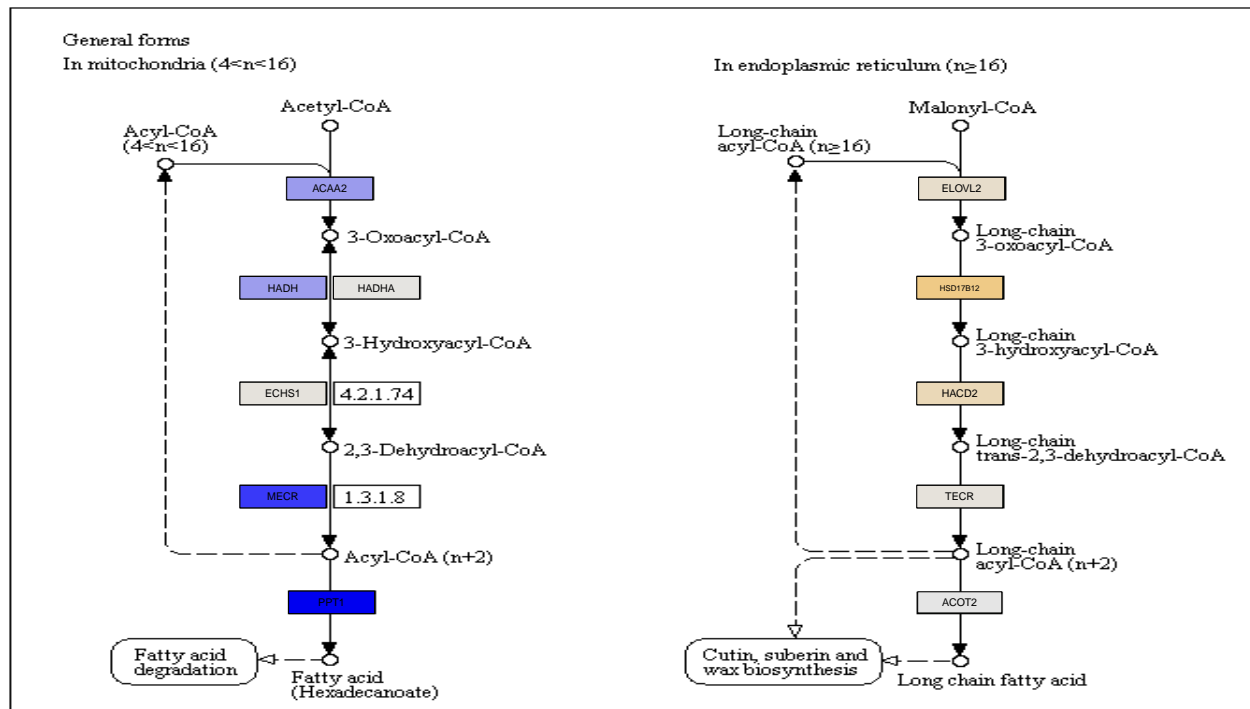
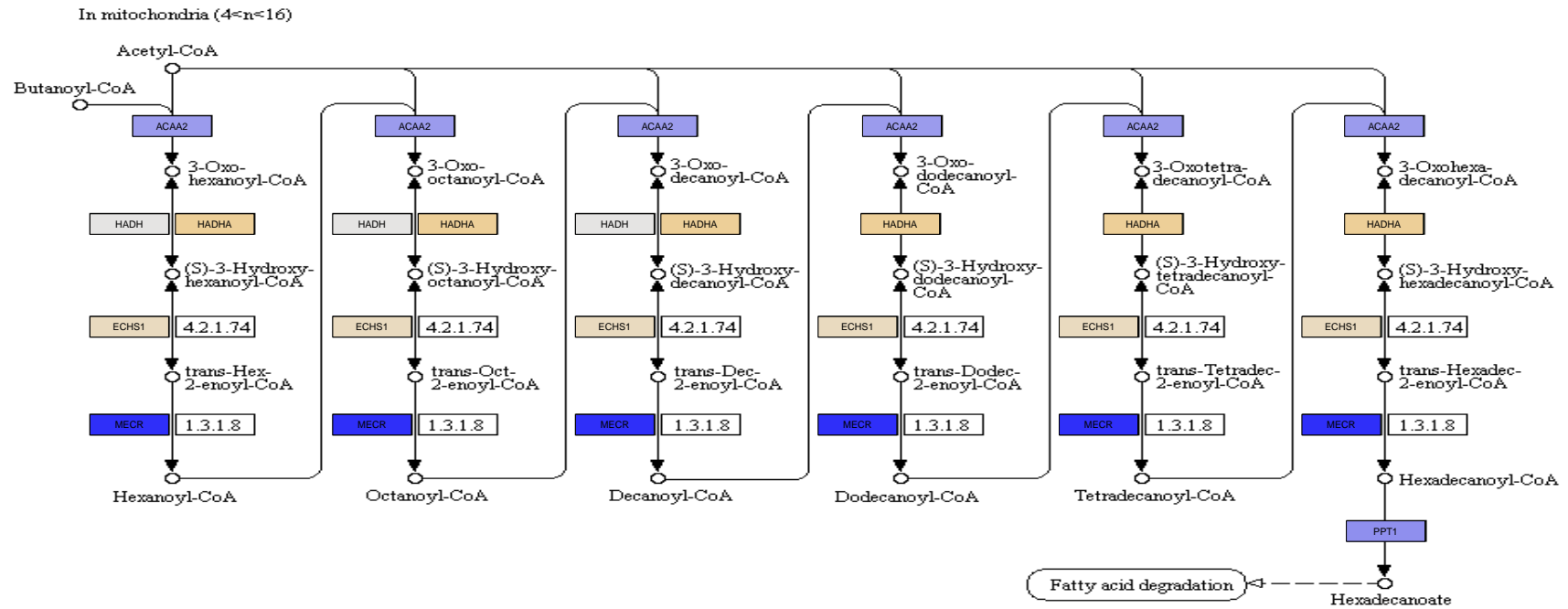
Fatty_acid_elongation
group 5



Fatty_acid_elongation
group 6



Fatty_acid_elongation
group 7



Fatty_acid_elongation
group 8

