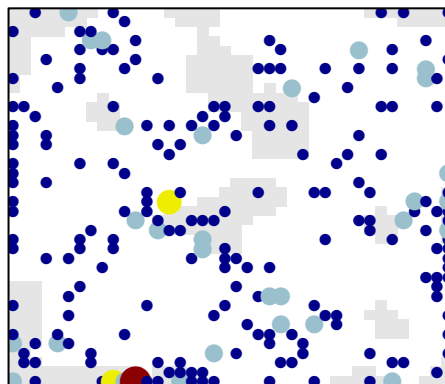
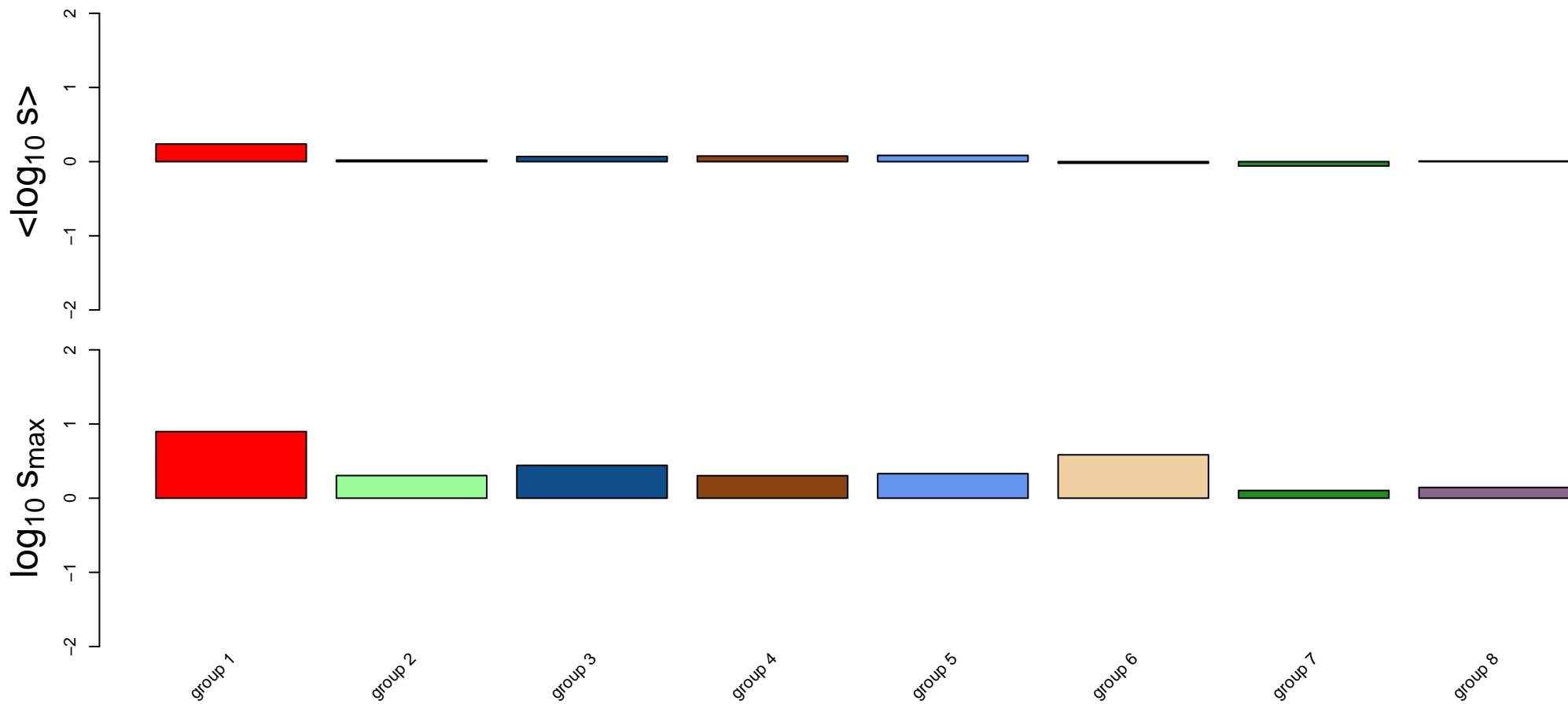
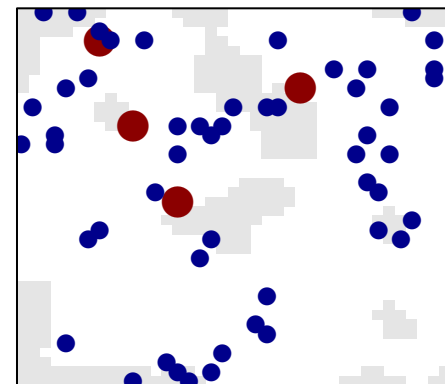


# Endocrine resistance

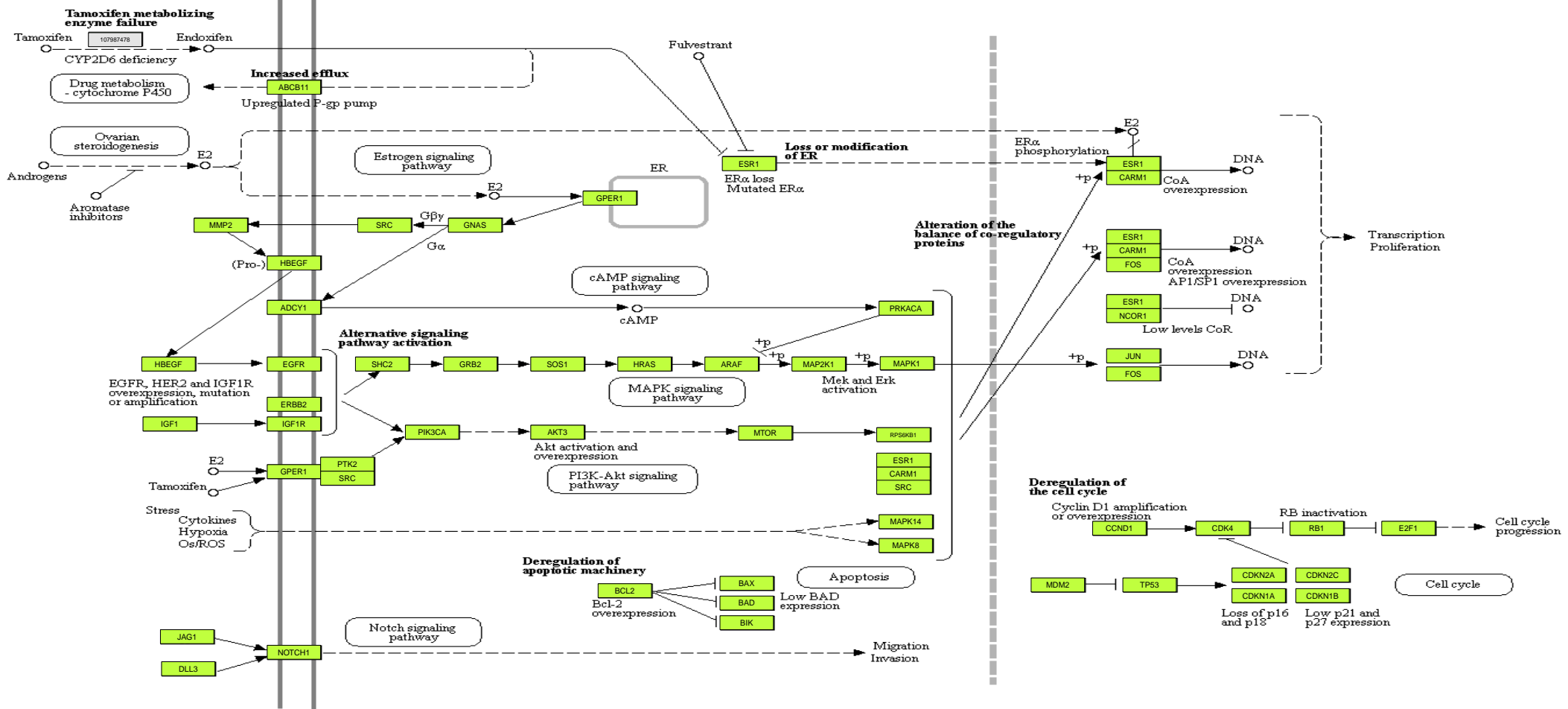
## all genes



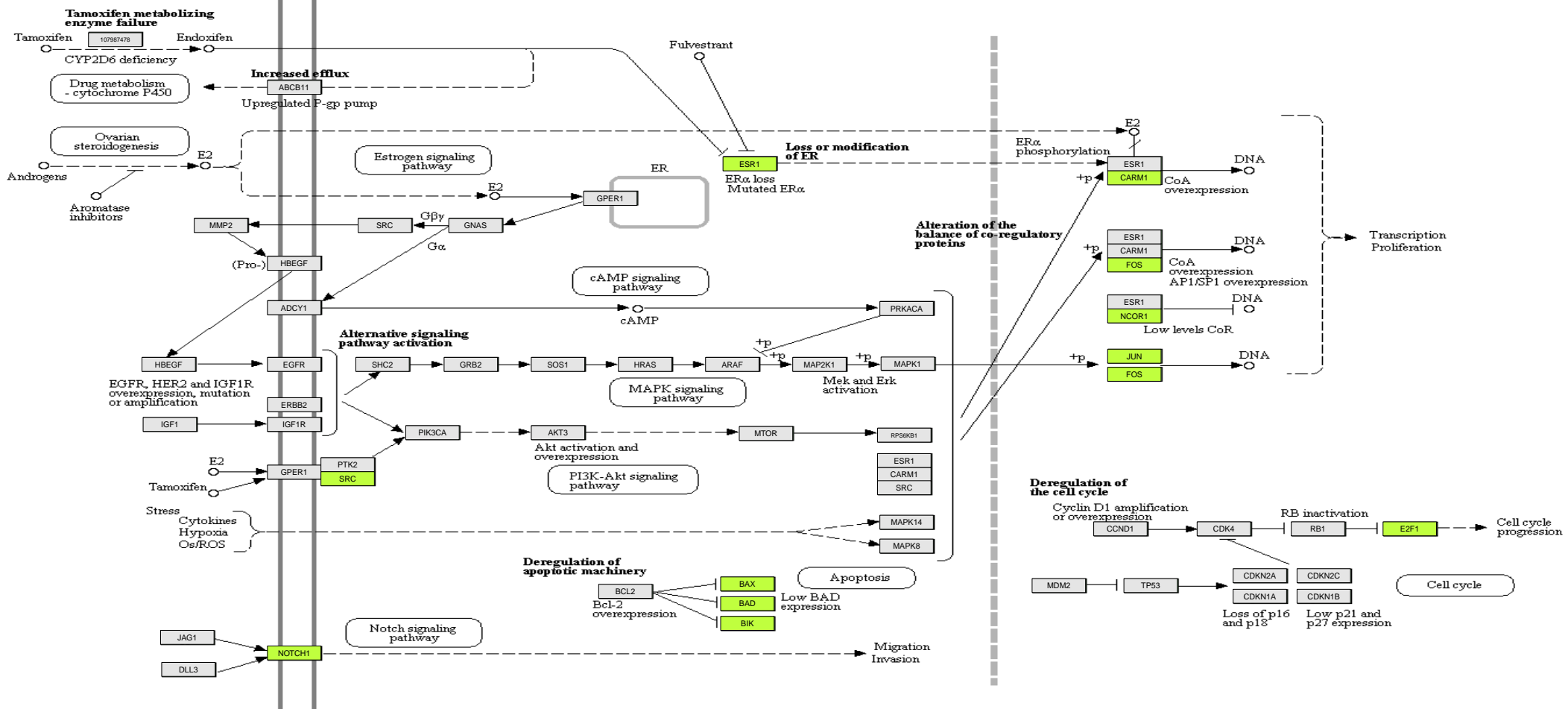
## sink node genes



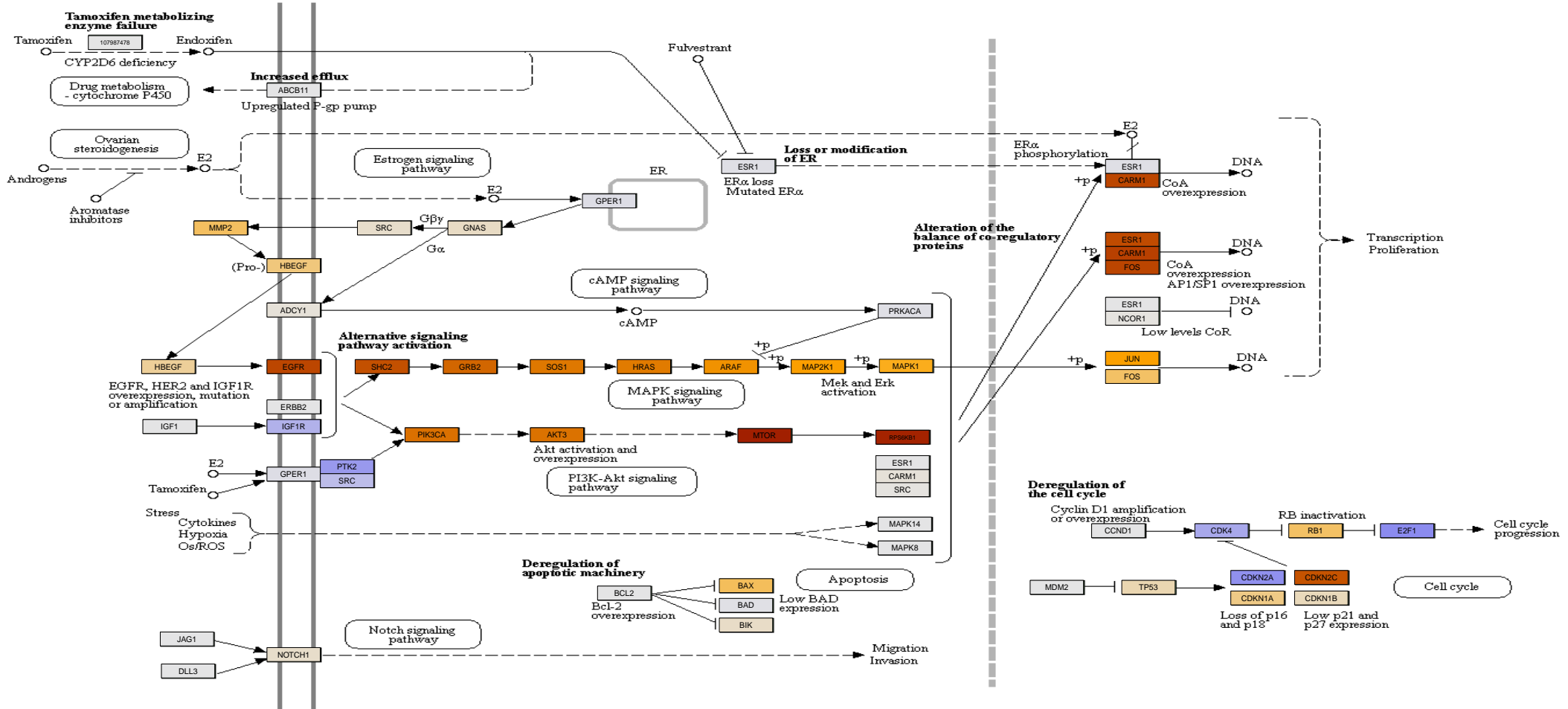
Endocrine\_resistance genes with data



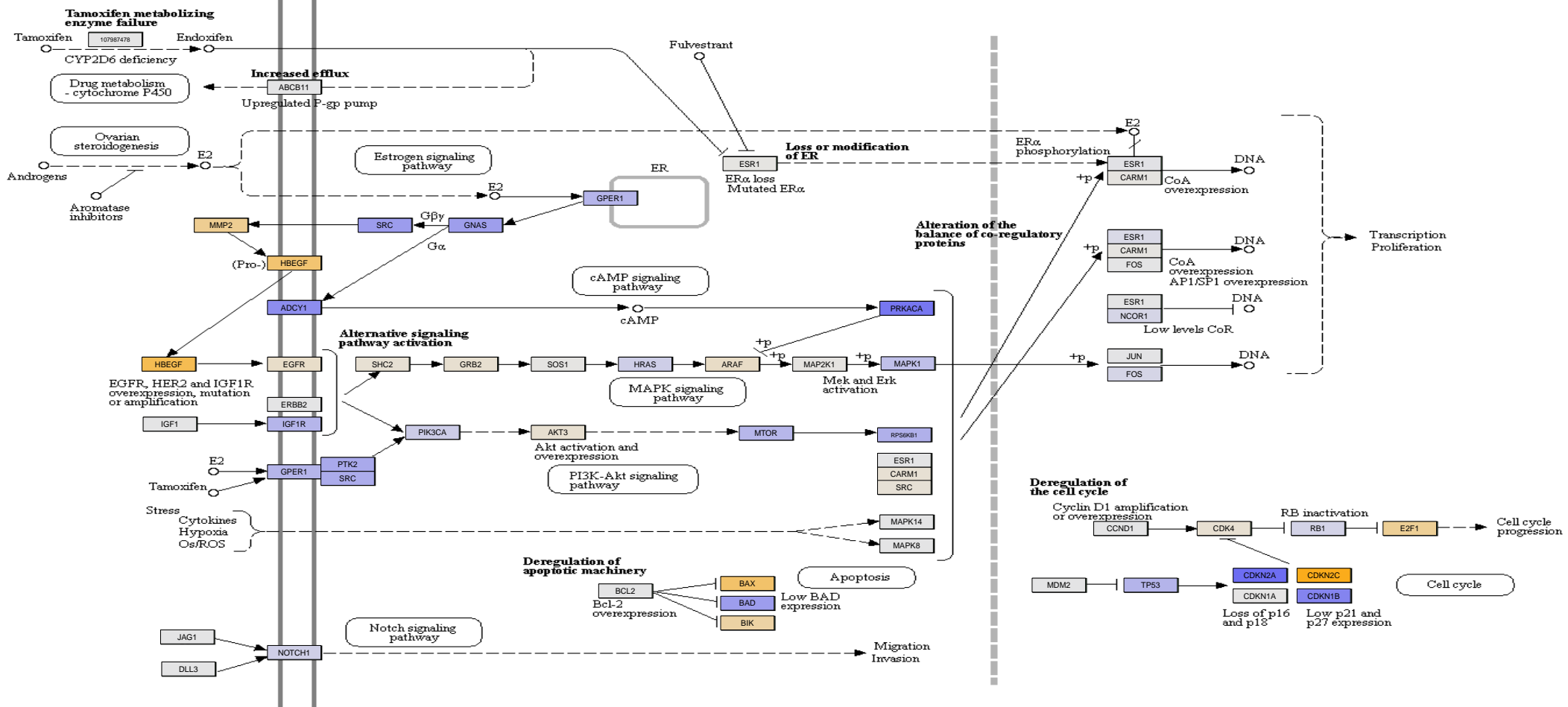
Endocrine\_resistance  
sink nodes



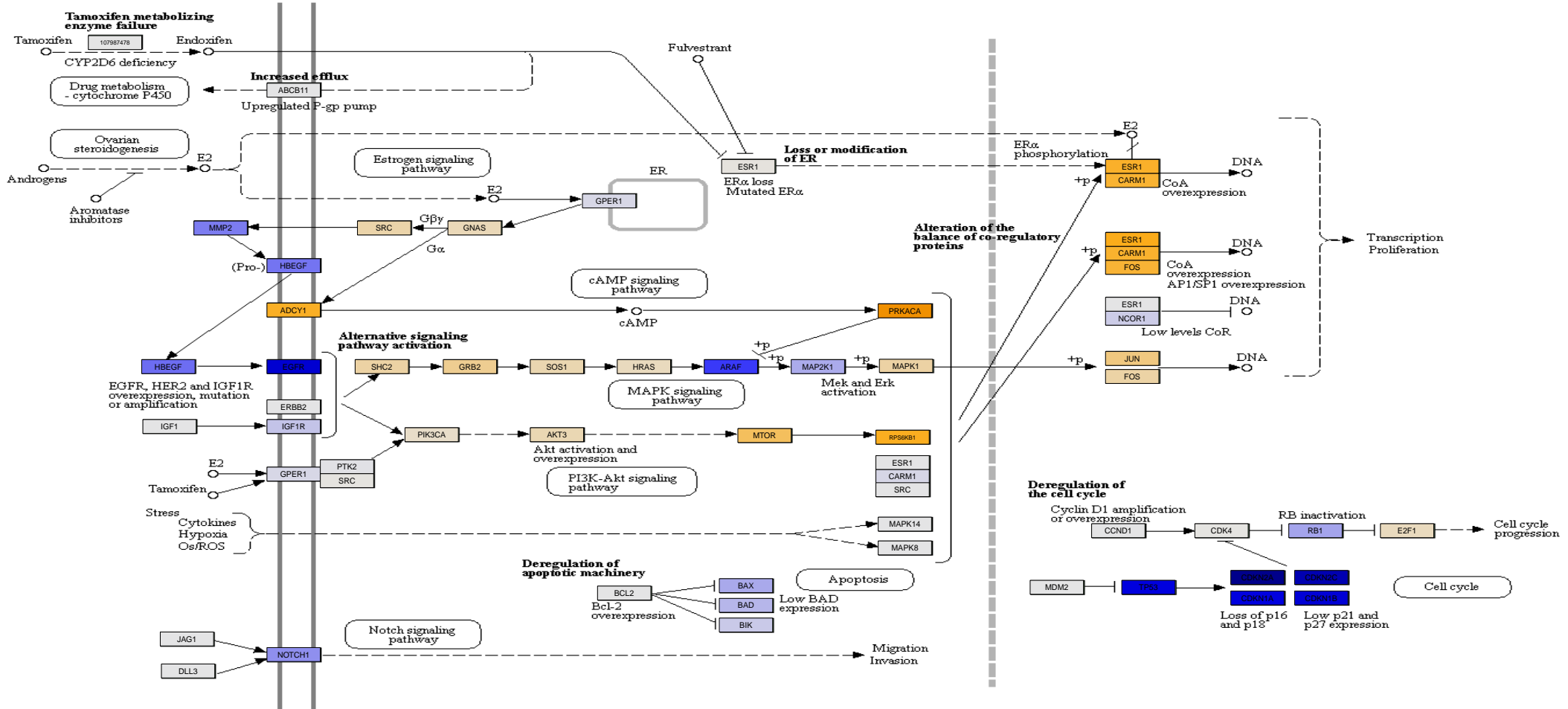
Endocrine\_resistance\_group 1



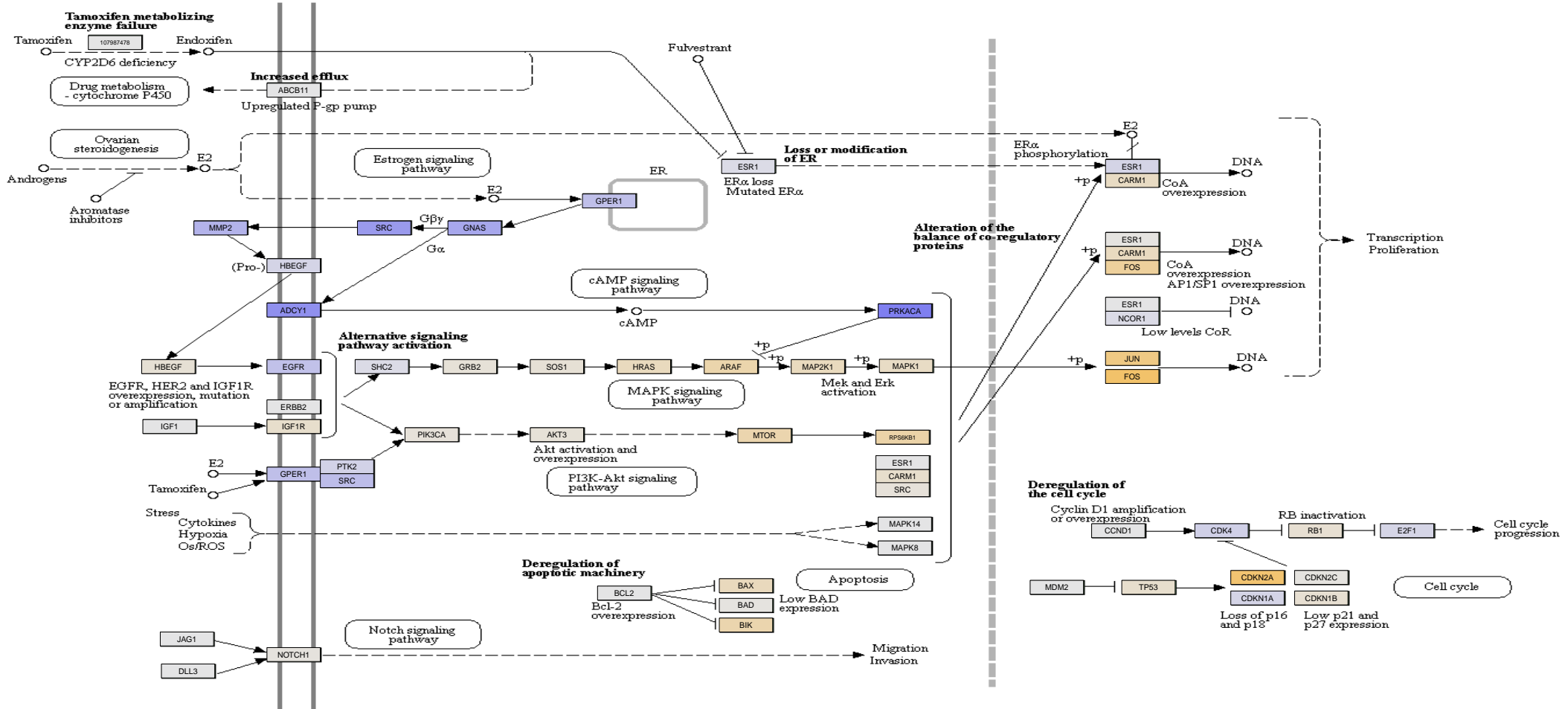
Endocrine\_resistance\_group 2



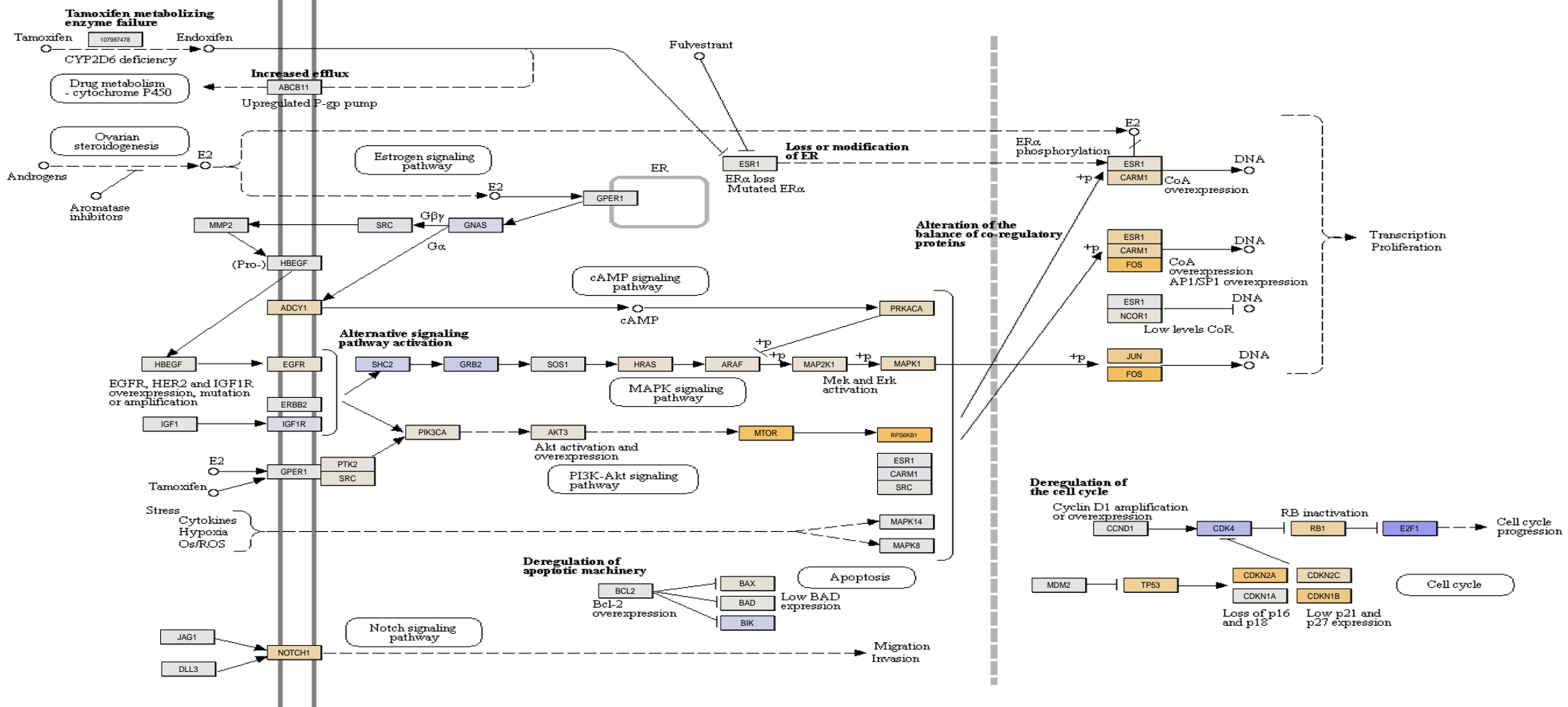
Endocrine\_resistance\_group 3



Endocrine\_resistance group 4

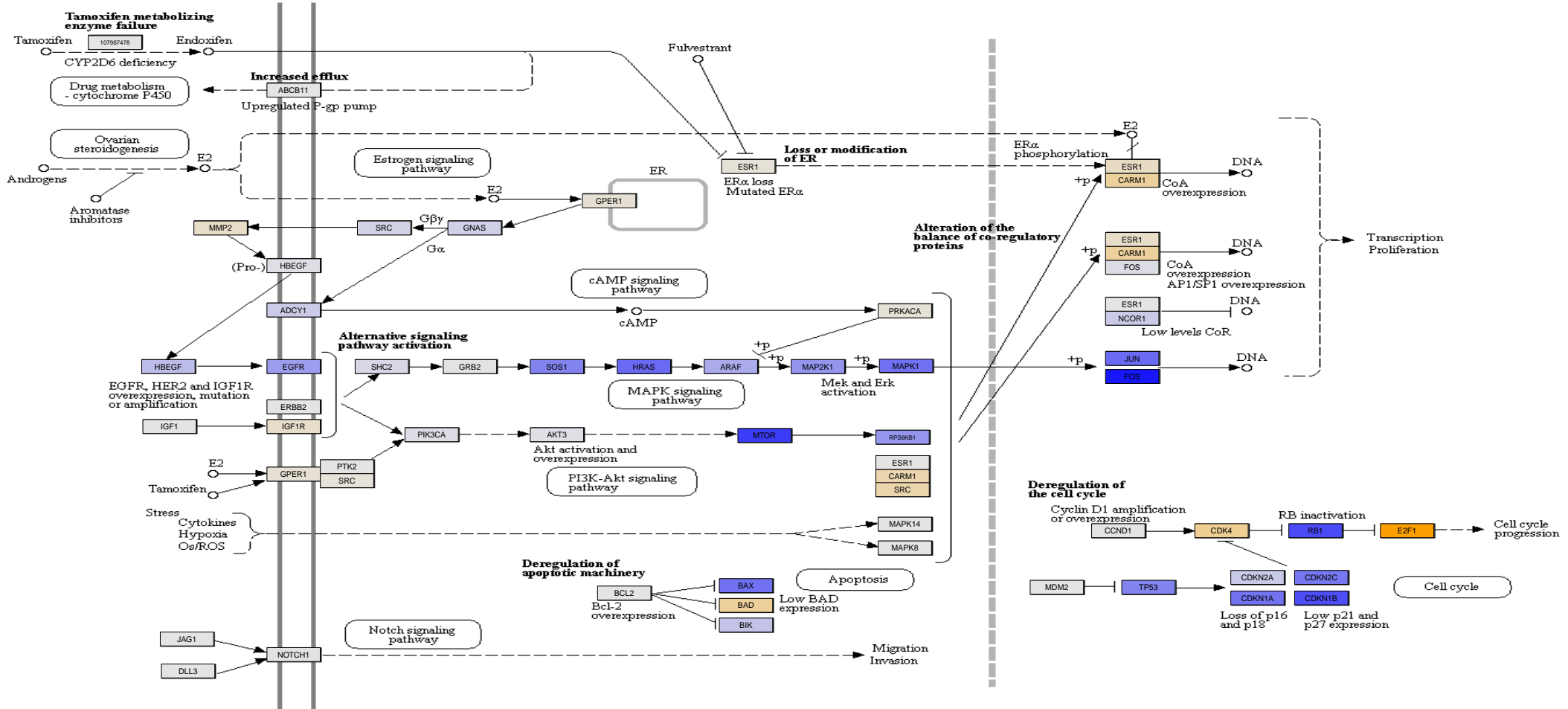


Endocrine\_resistance\_group 5

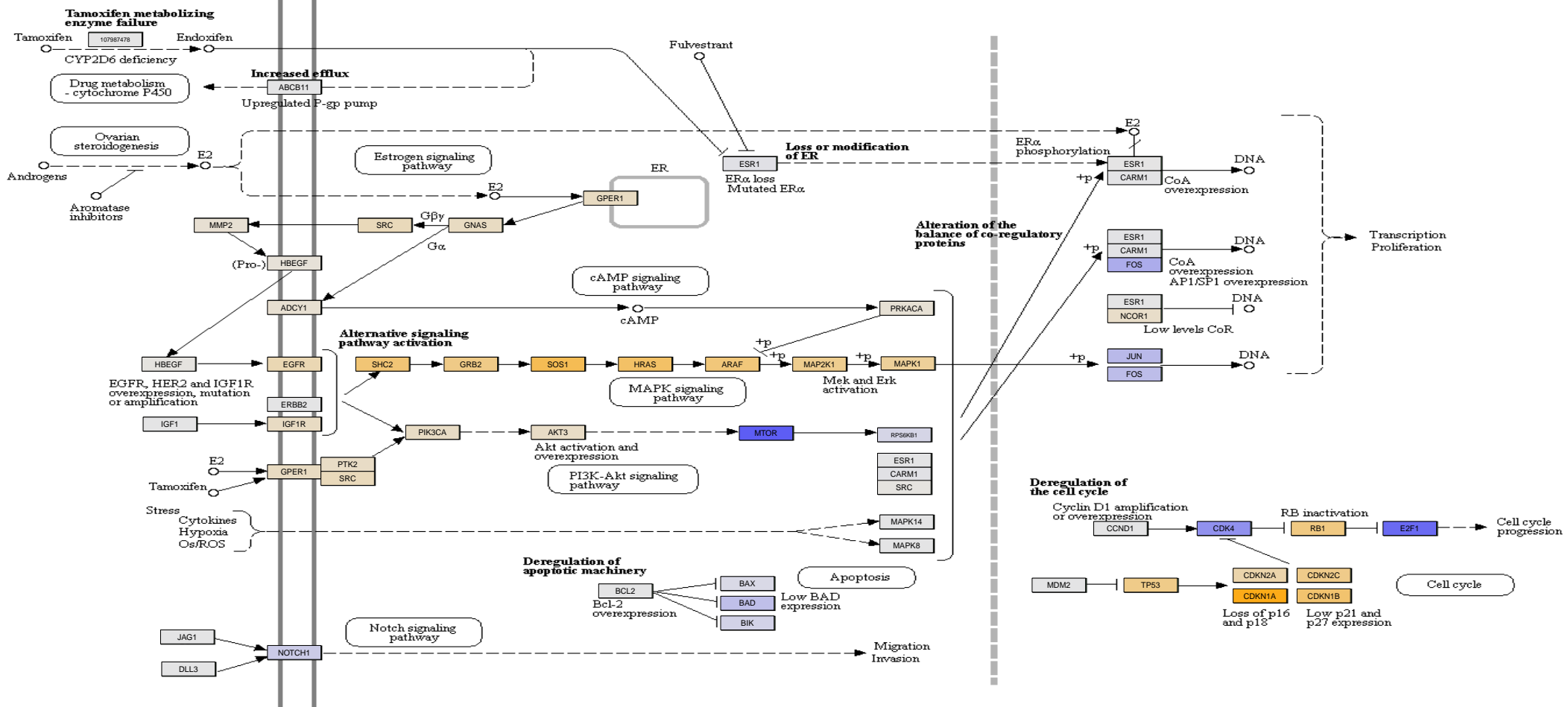




Endocrine\_resistance group 6



Endocrine\_resistance group 7



Endocrine\_resistance\_group 8

