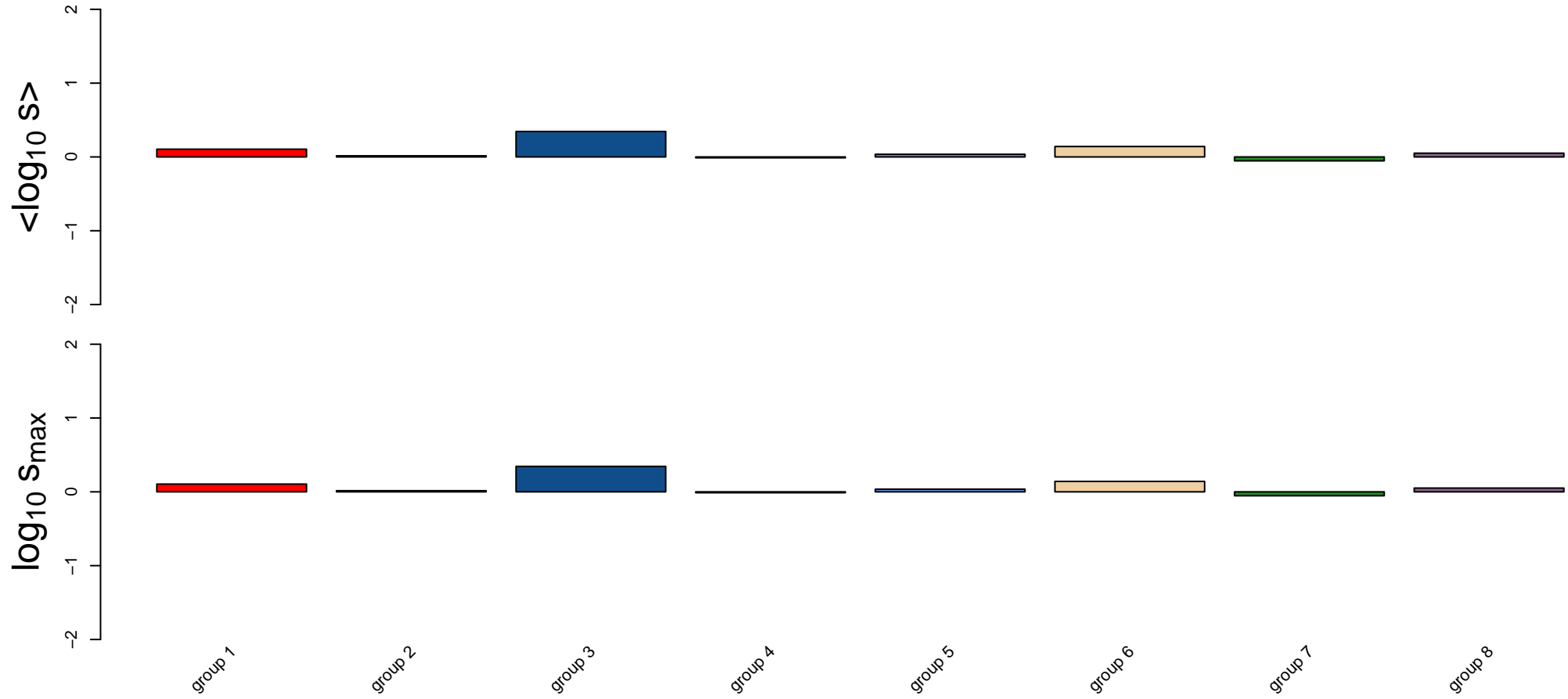
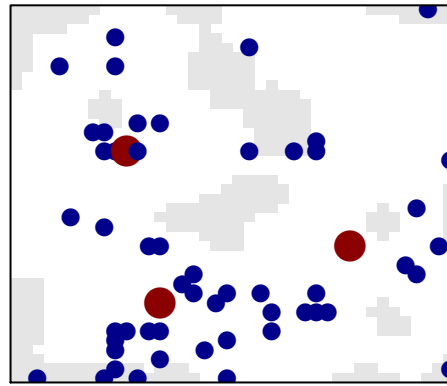
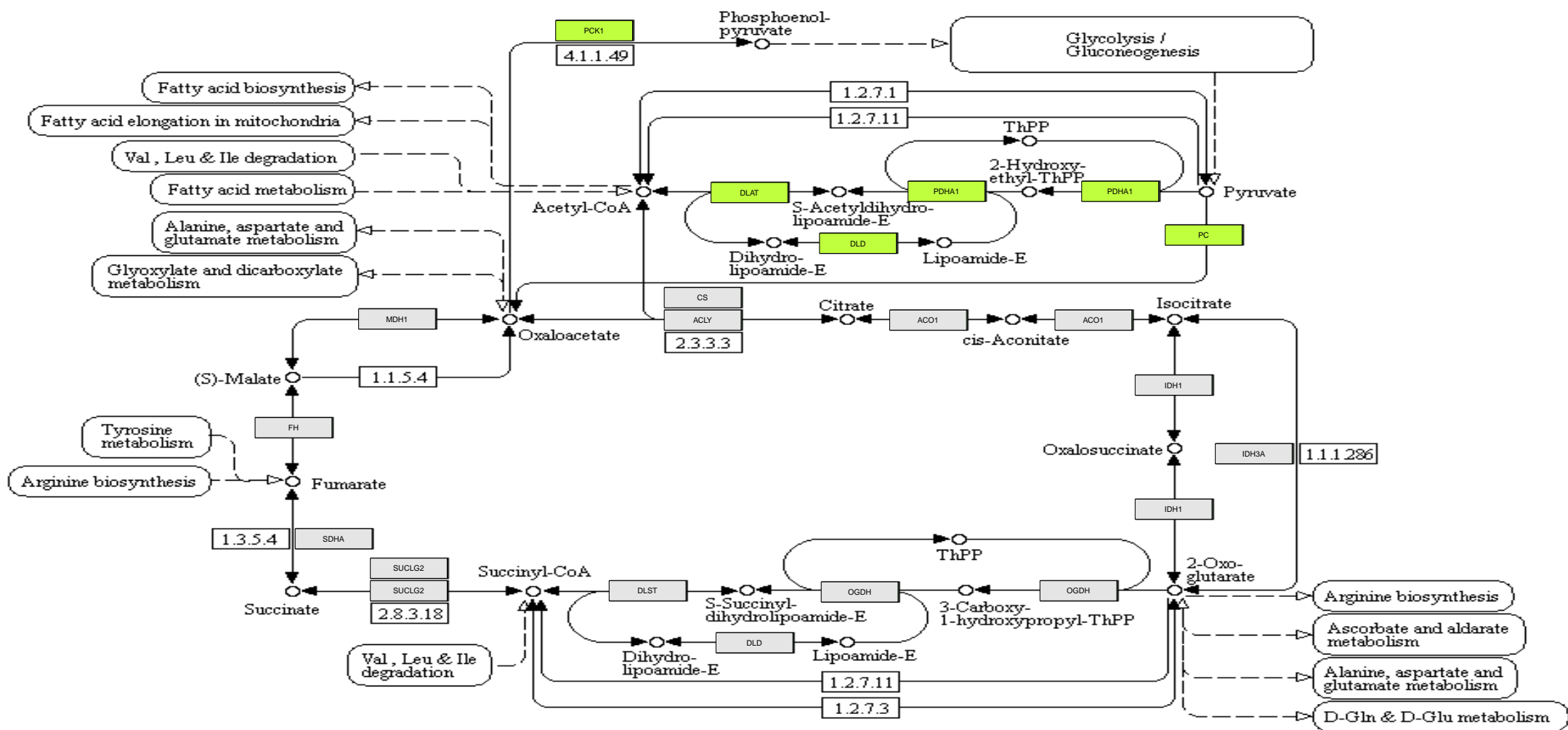


Citrate cycle (TCA cycle)

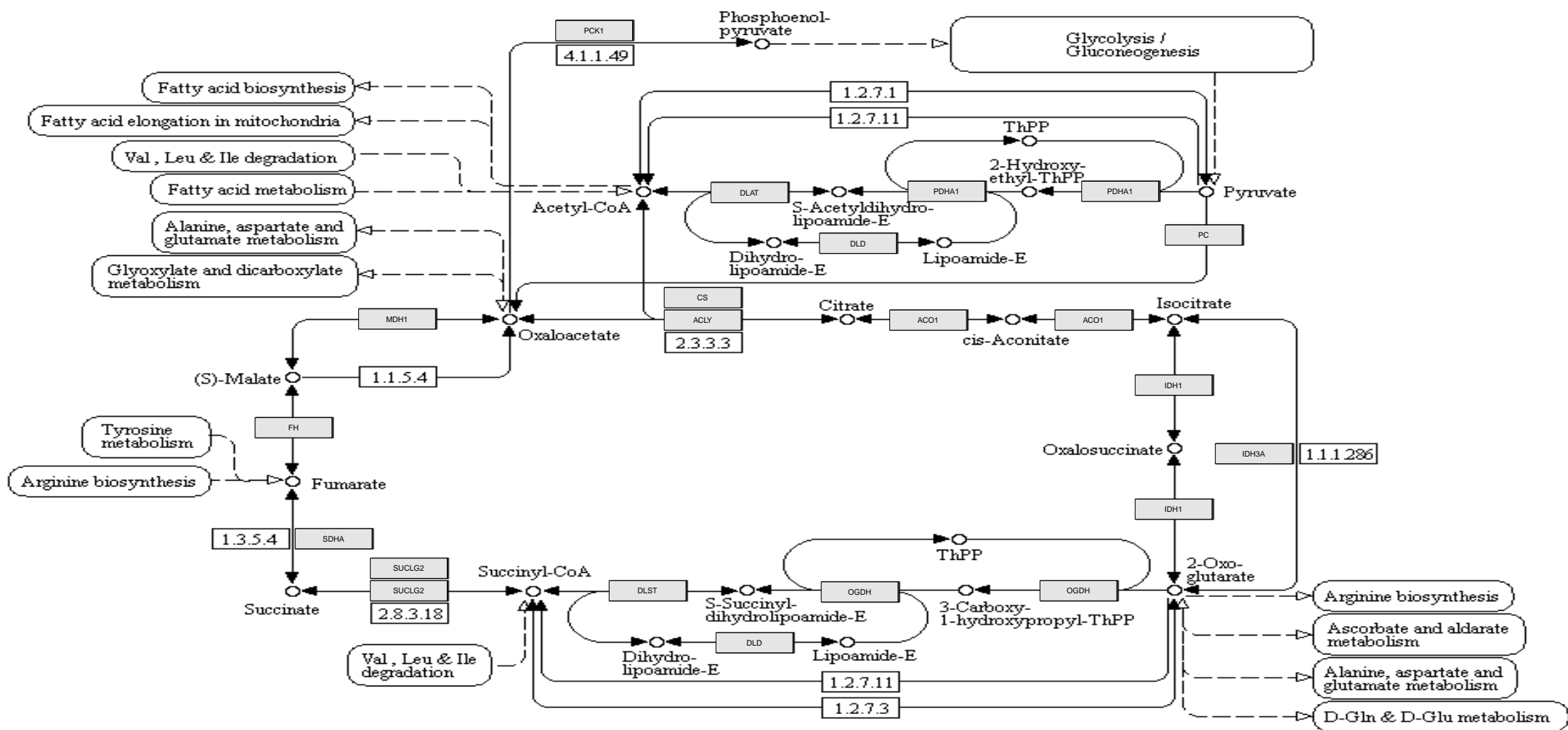
all genes

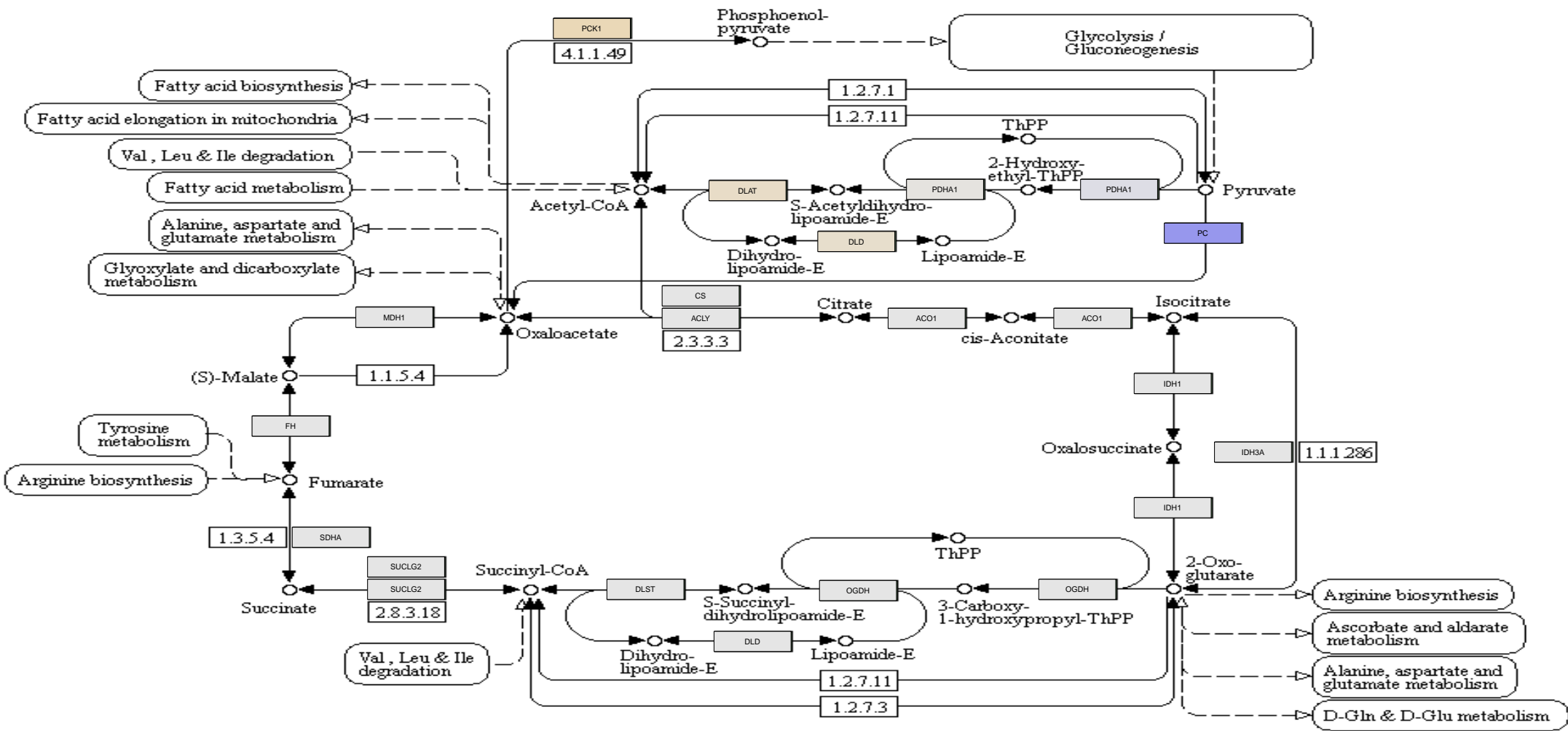


Citrate_cycle_TCA_cycle
genes with data

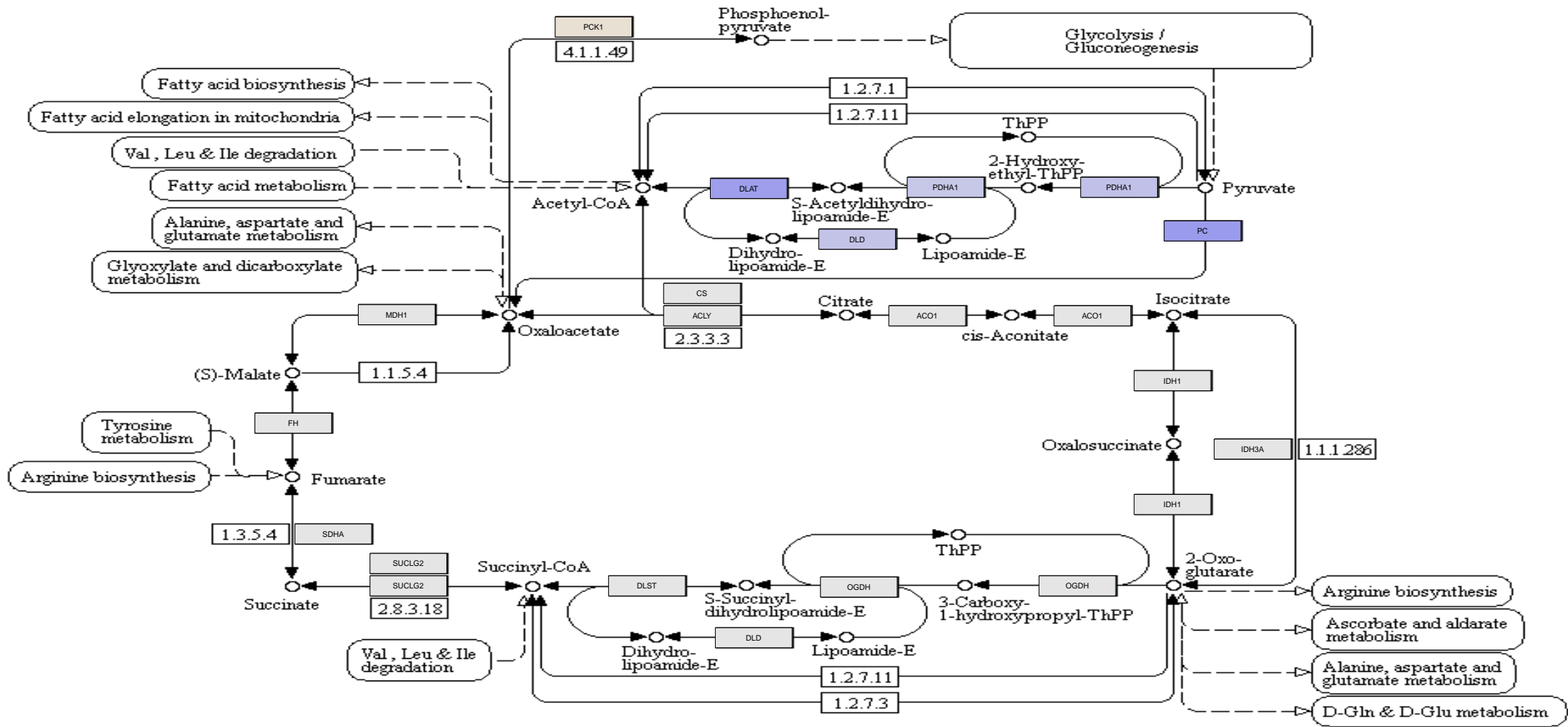


Citrate_cycle_TCA_cycle
sink nodes

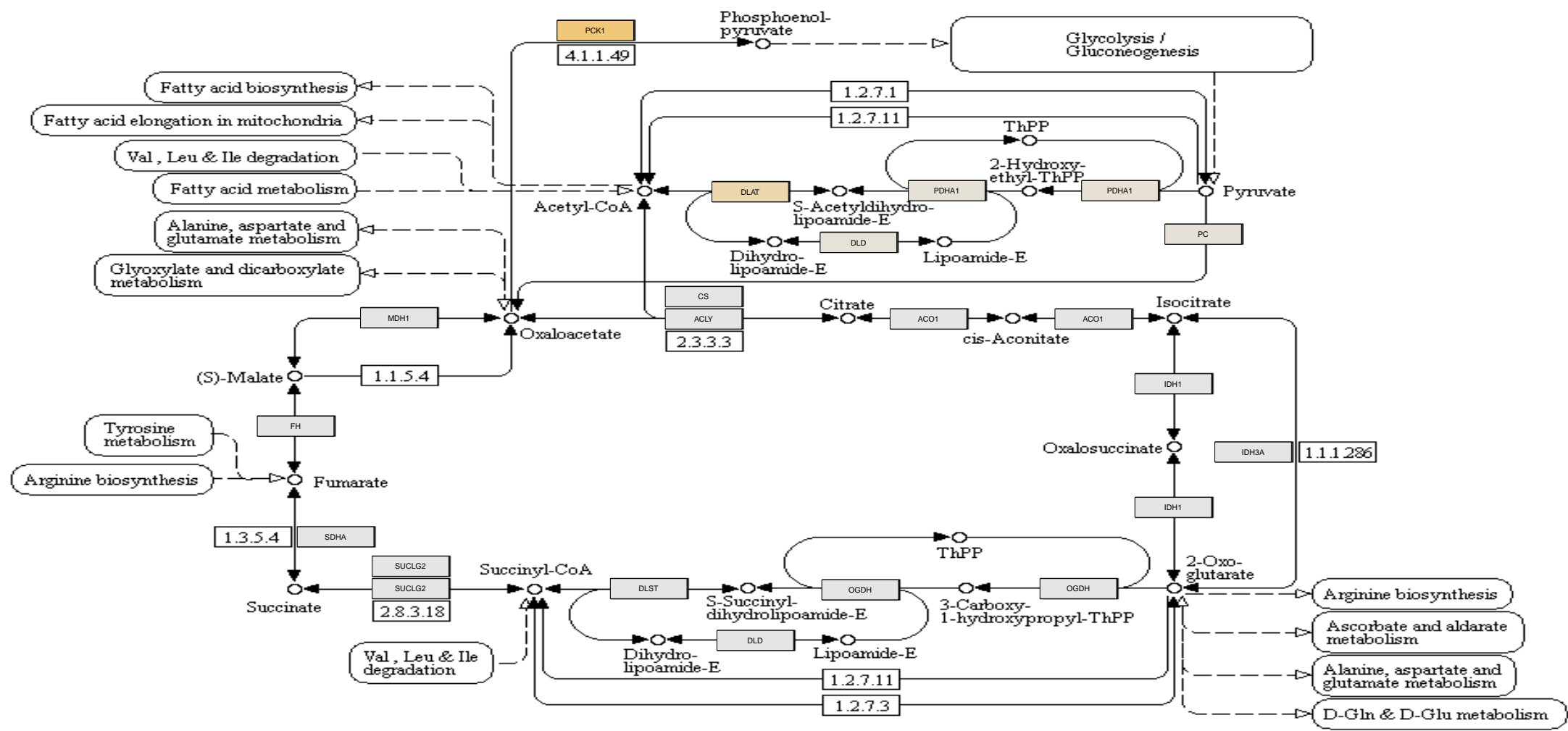




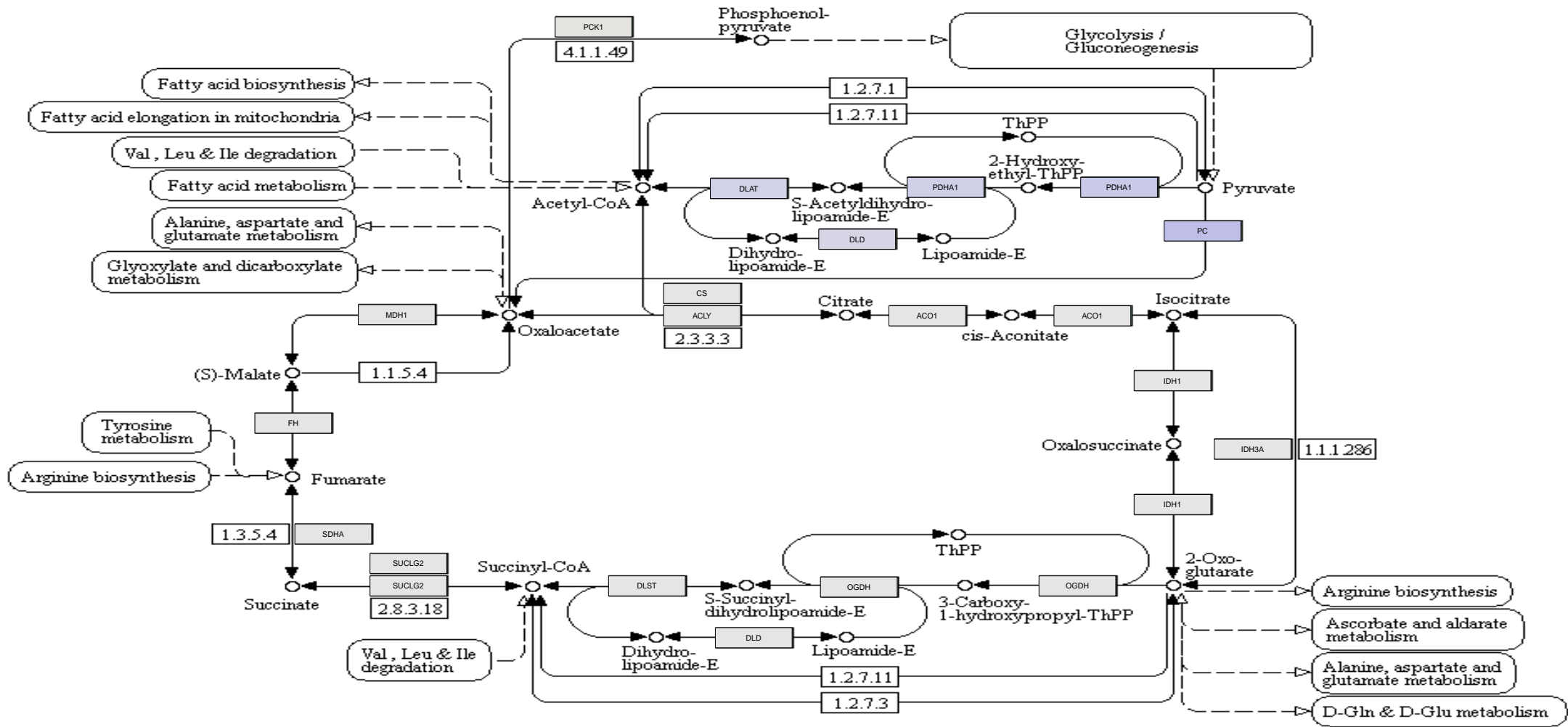
Citrate_cycle_TCA_cycle
group 2



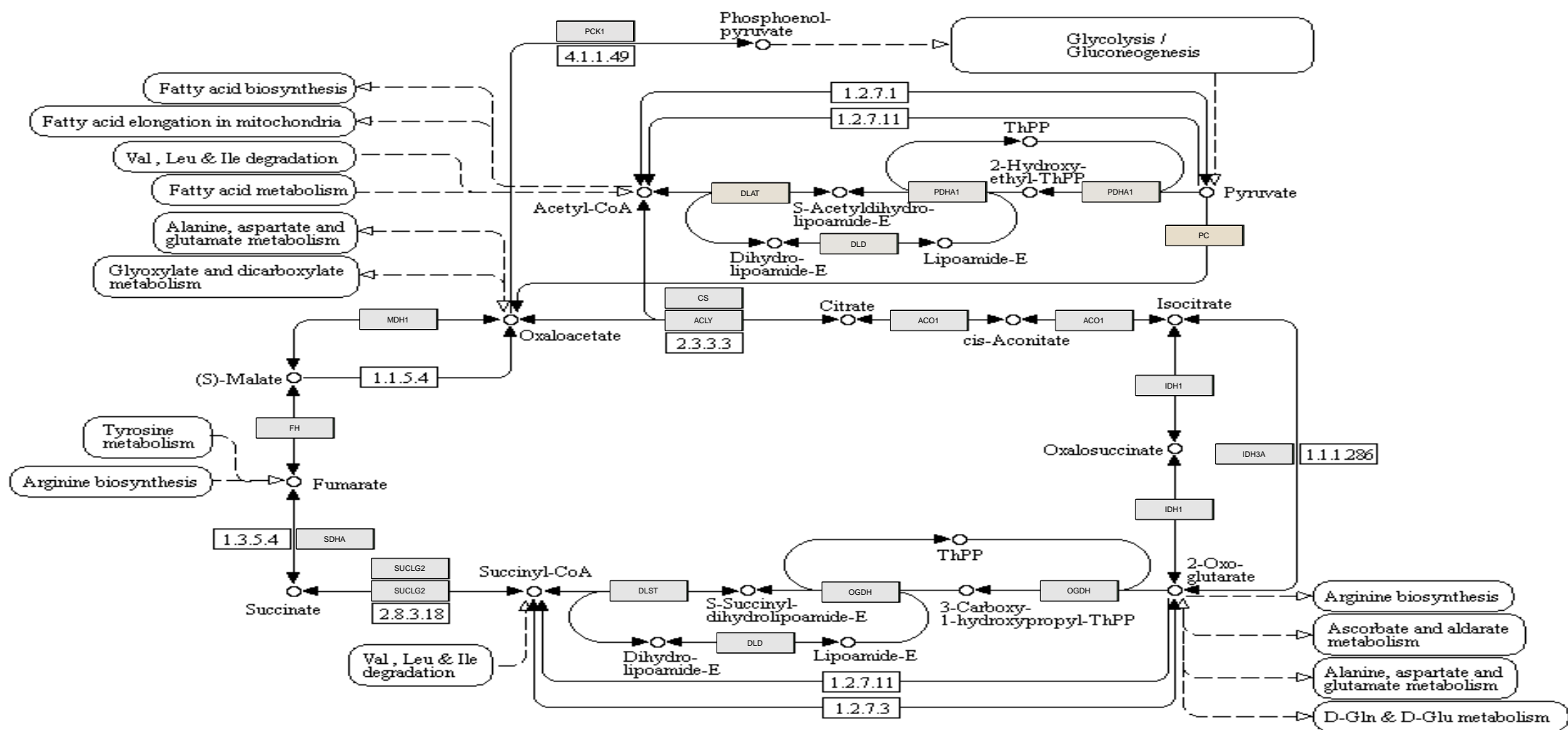
Citrate_cycle_TCA_cycle
group 3



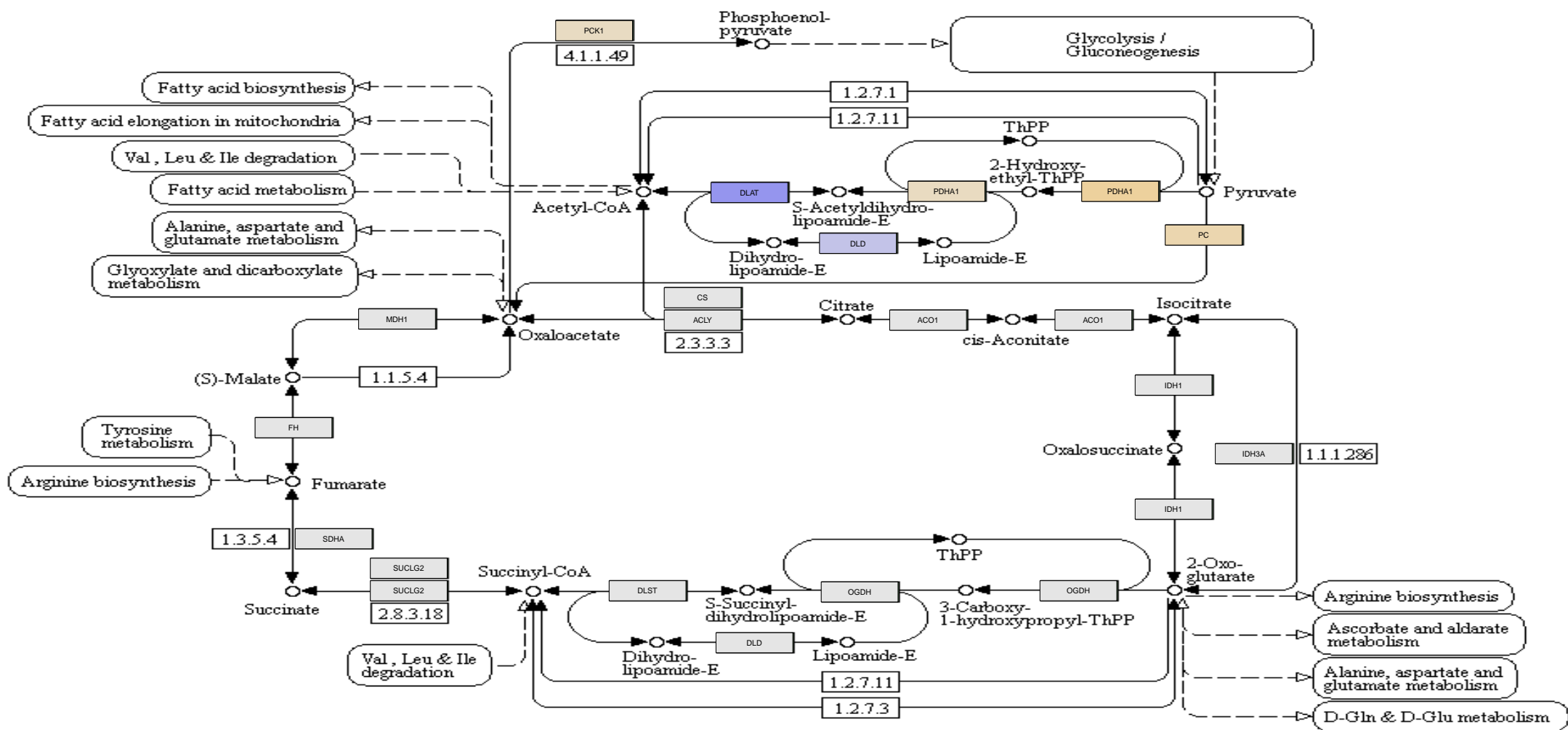
Citrate_cycle_TCA_cycle
group 4



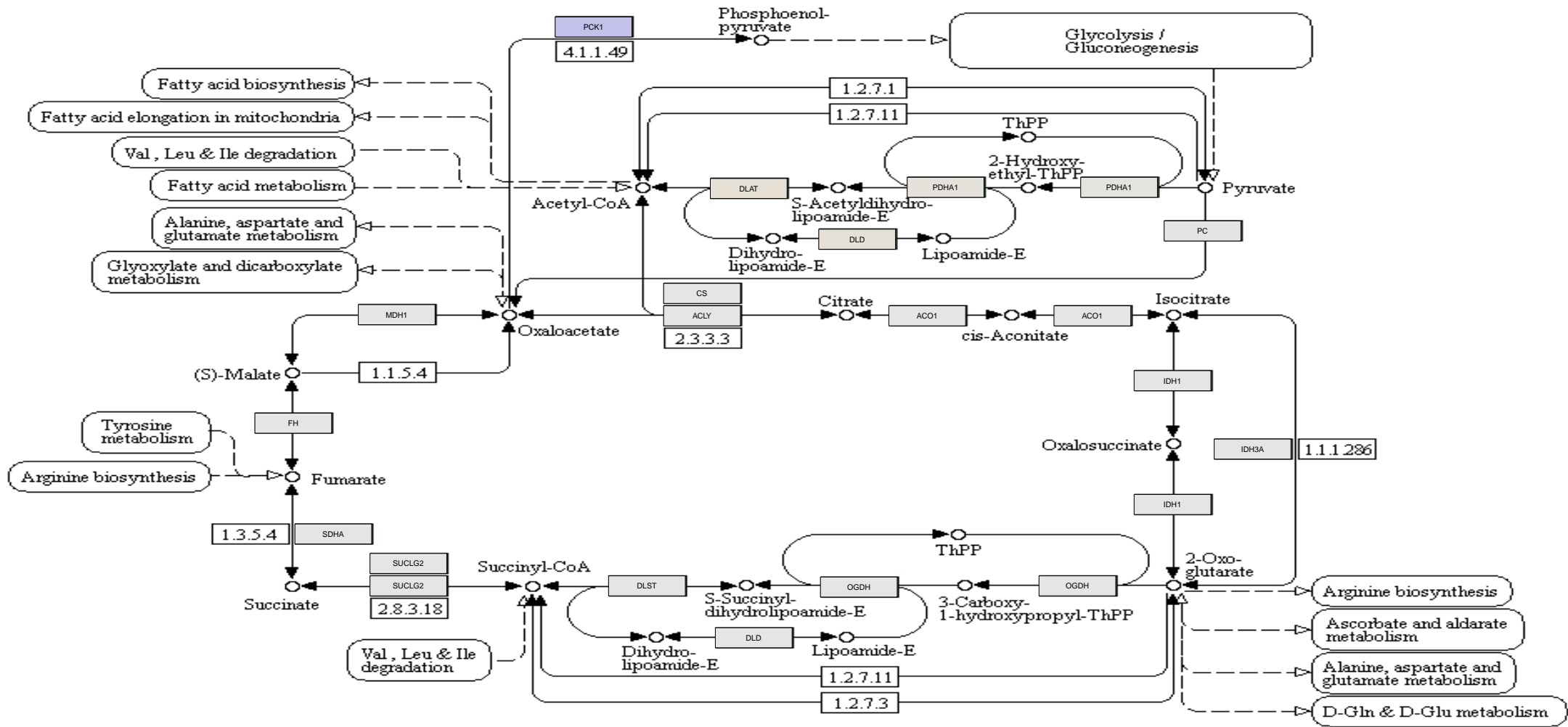
Citrate_cycle_TCA_cycle
group 5



Citrate_cycle_TCA_cycle
group 6



Citrate_cycle_TCA_cycle
group 7



Citrate_cycle_TCA_cycle
group 8

