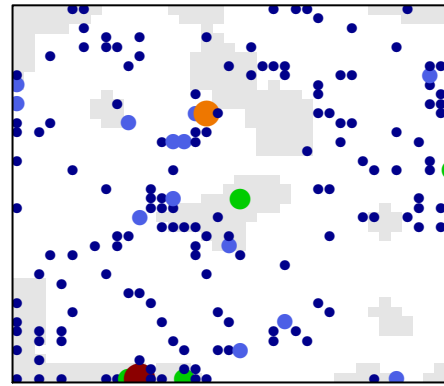


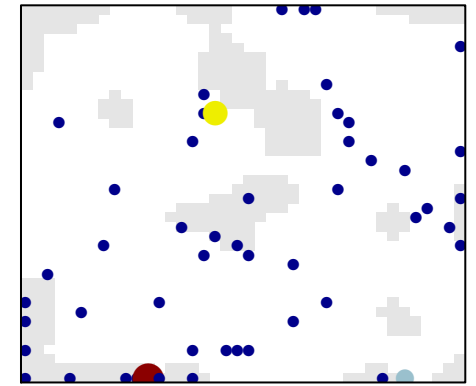
# Chronic myeloid leukemia

all genes

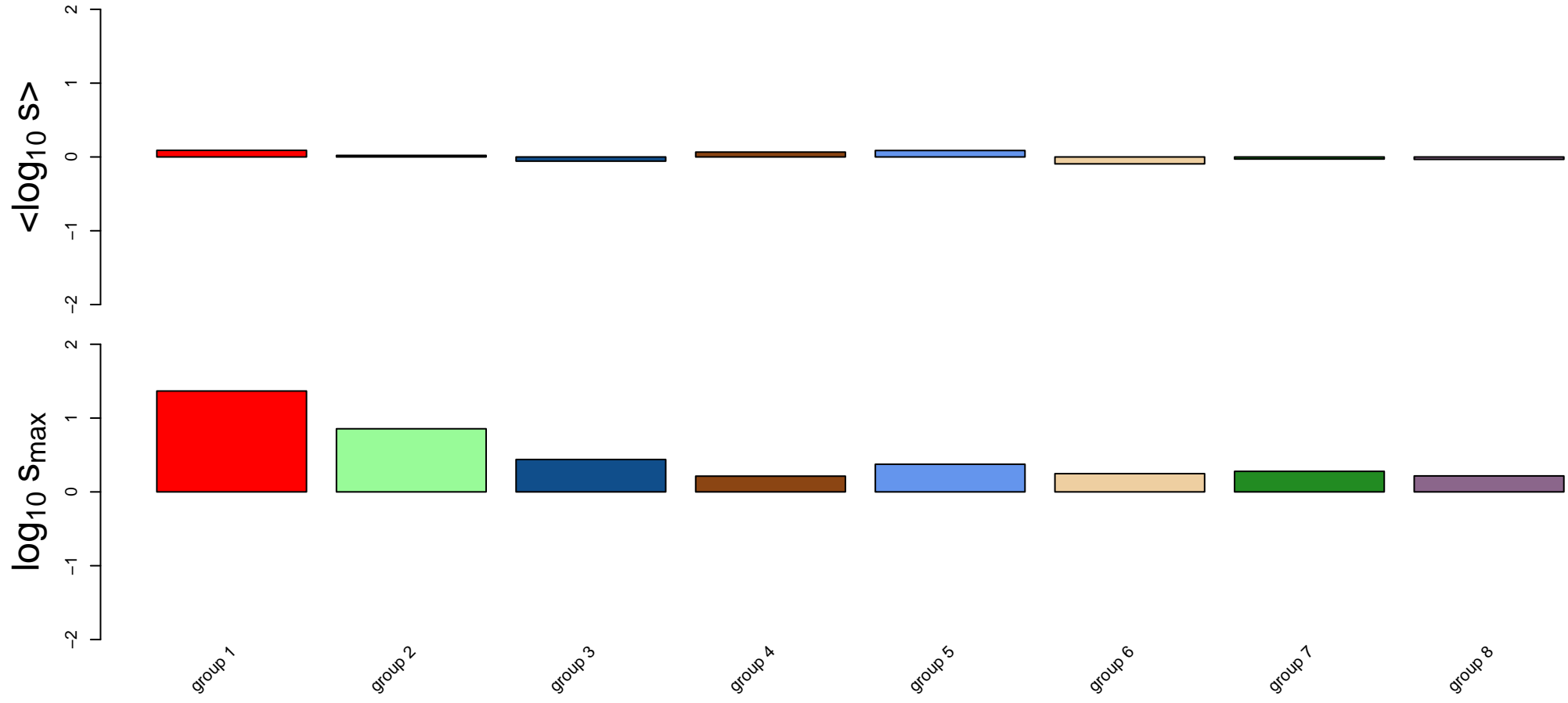


maximum = 5

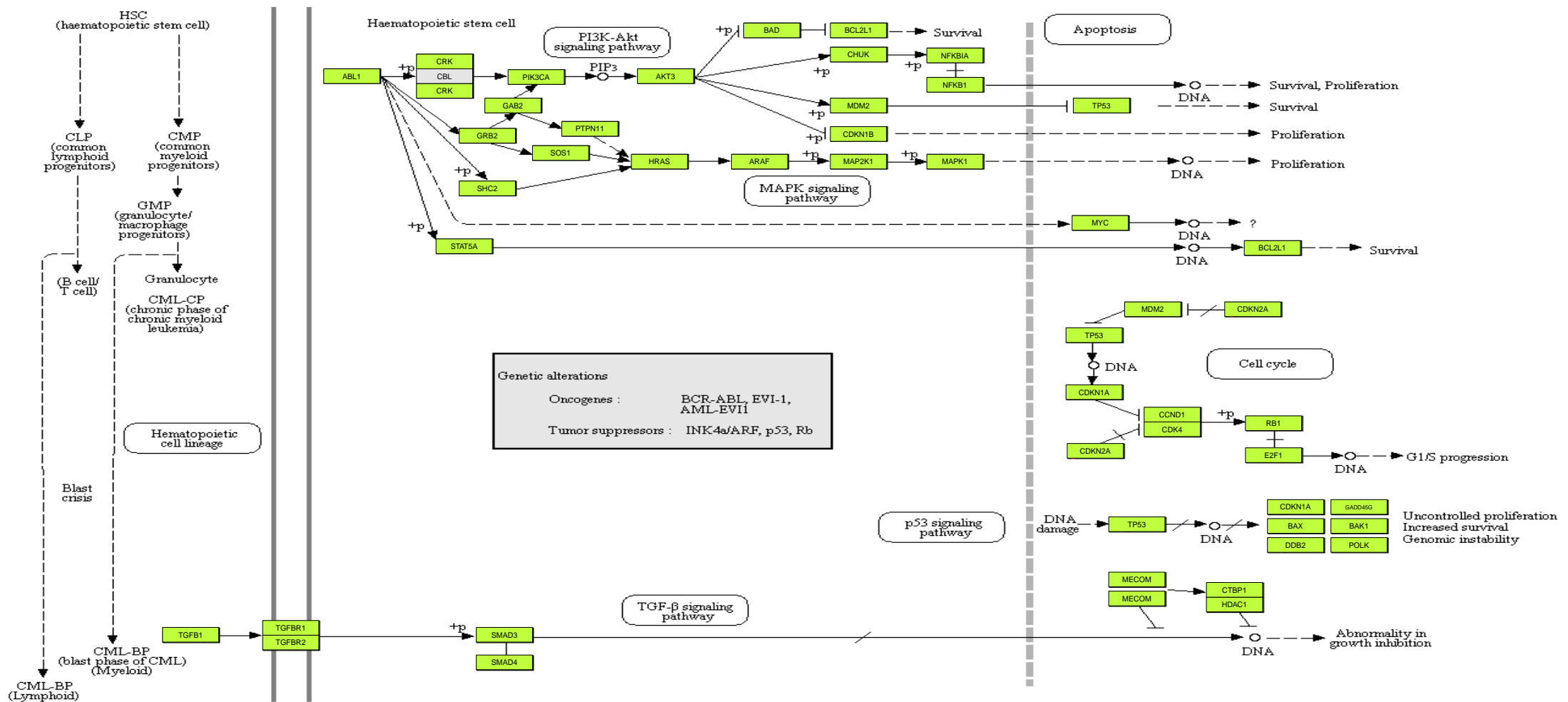
sink node genes



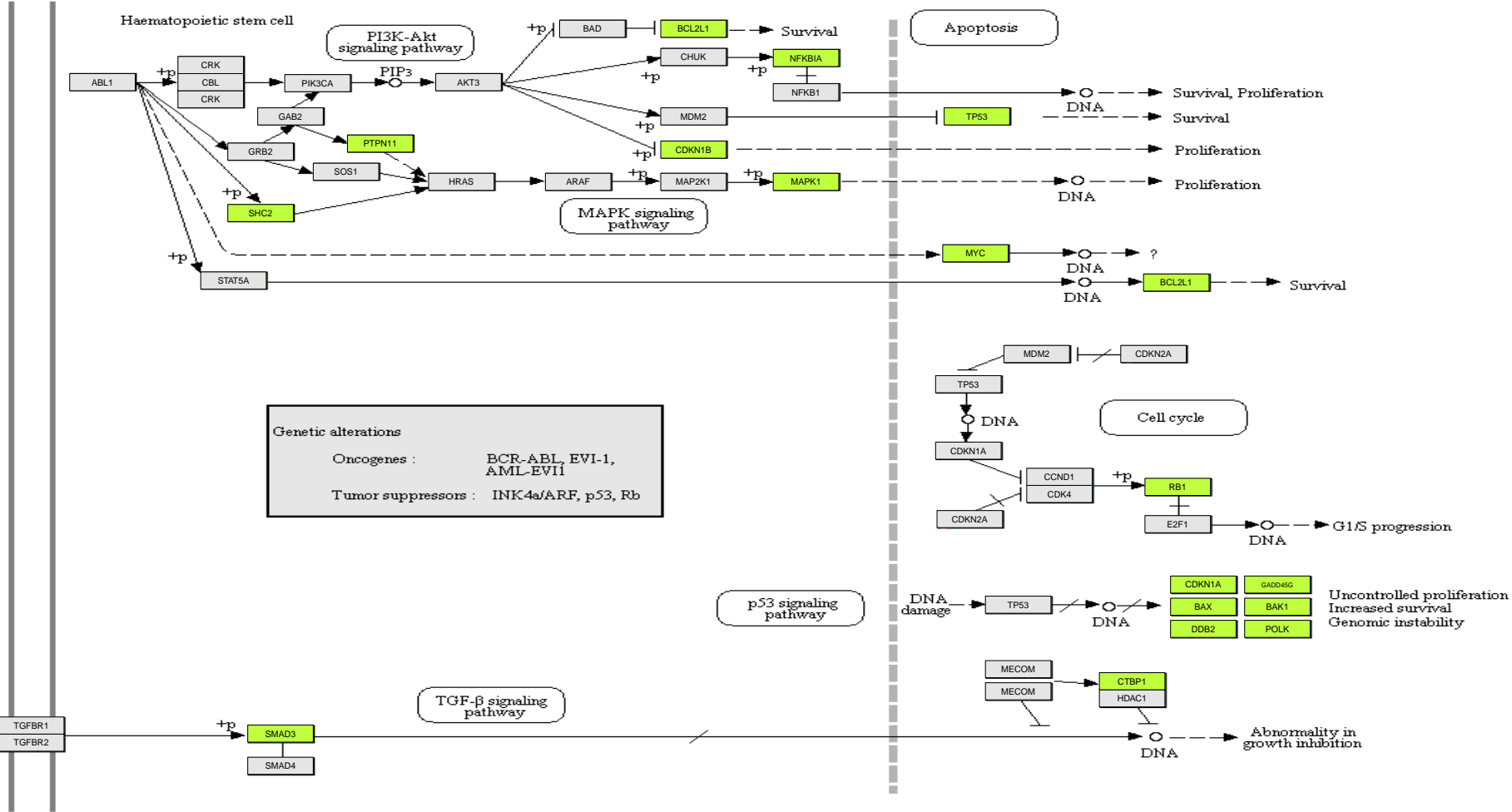
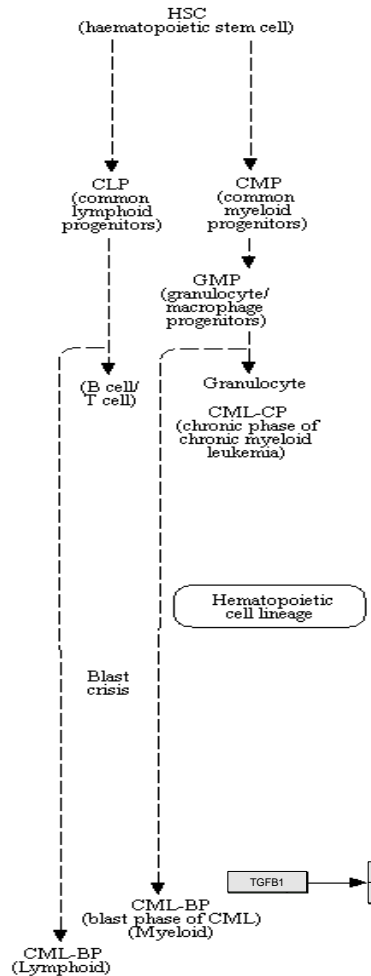
maximum = 4



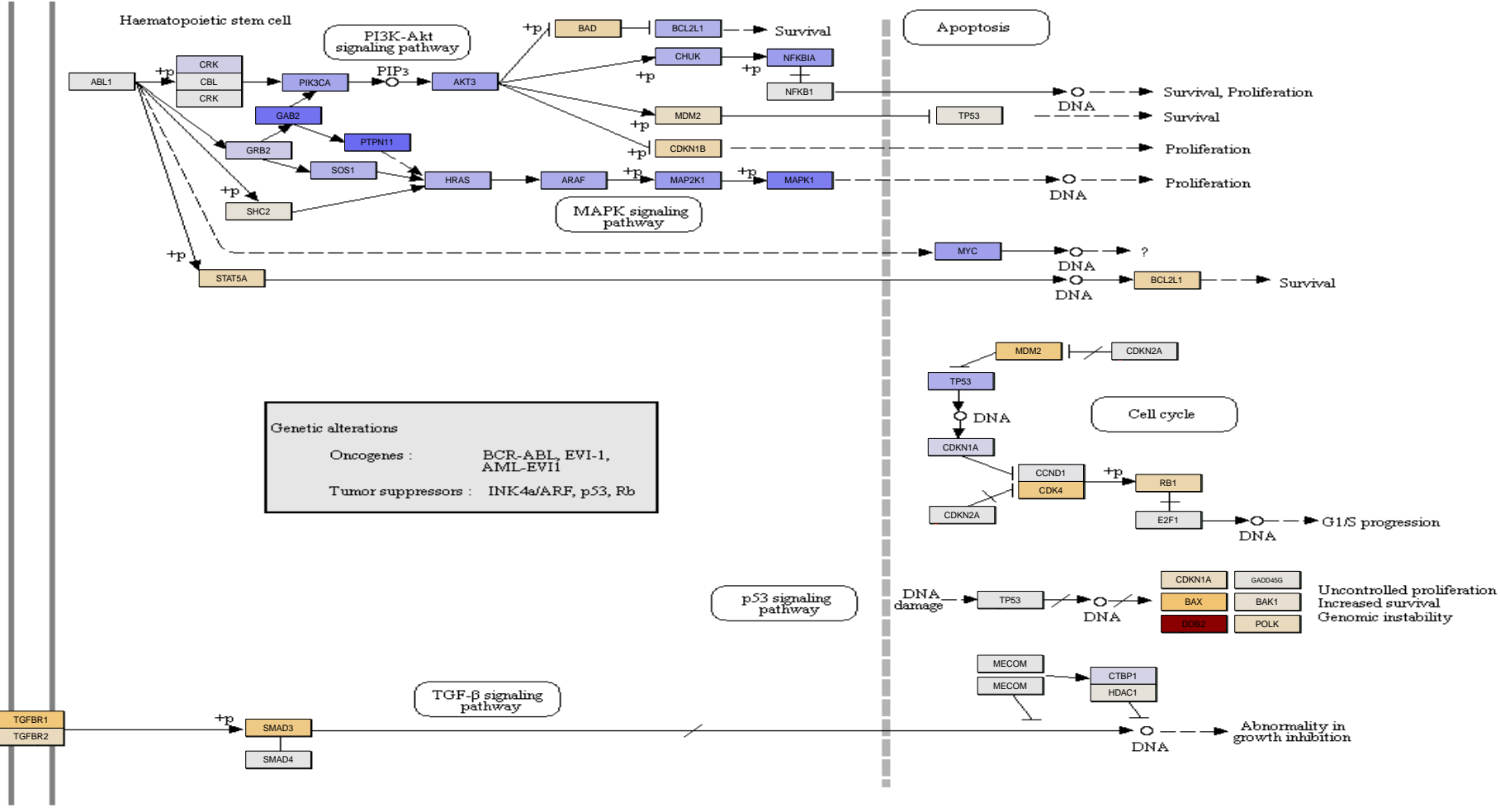
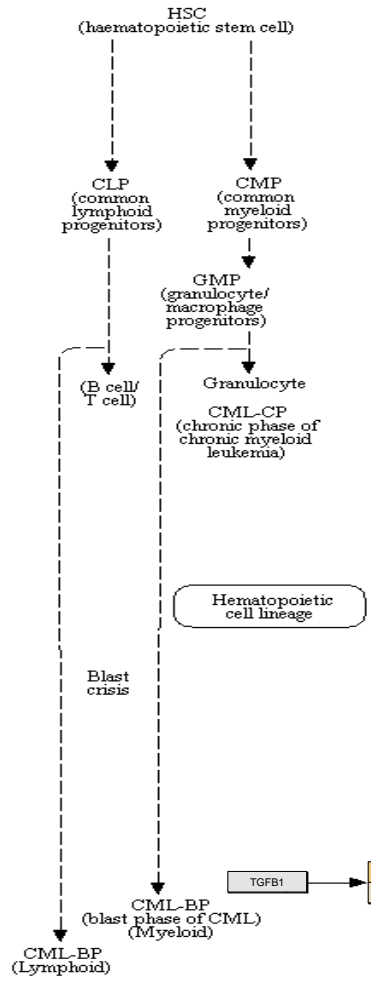
Chronic\_myeloid\_leukemia genes with data



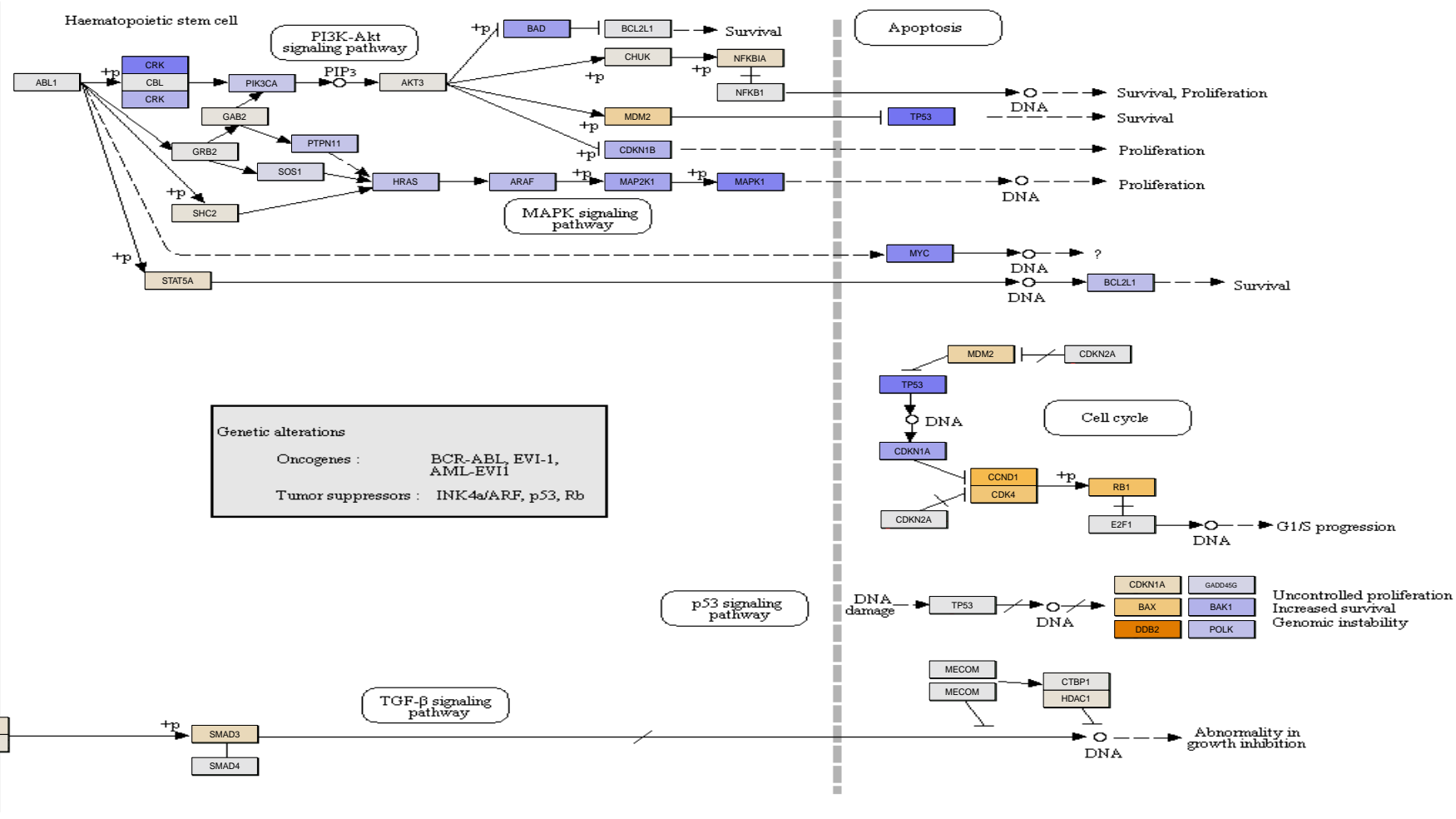
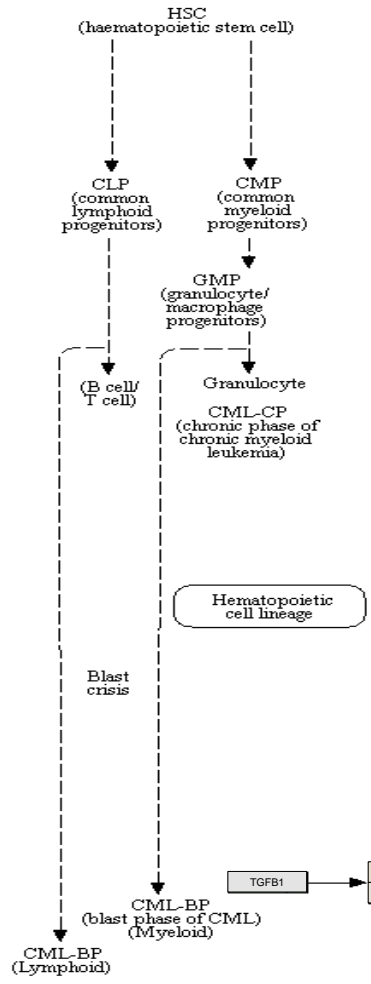
Chronic myeloid leukemia sink nodes



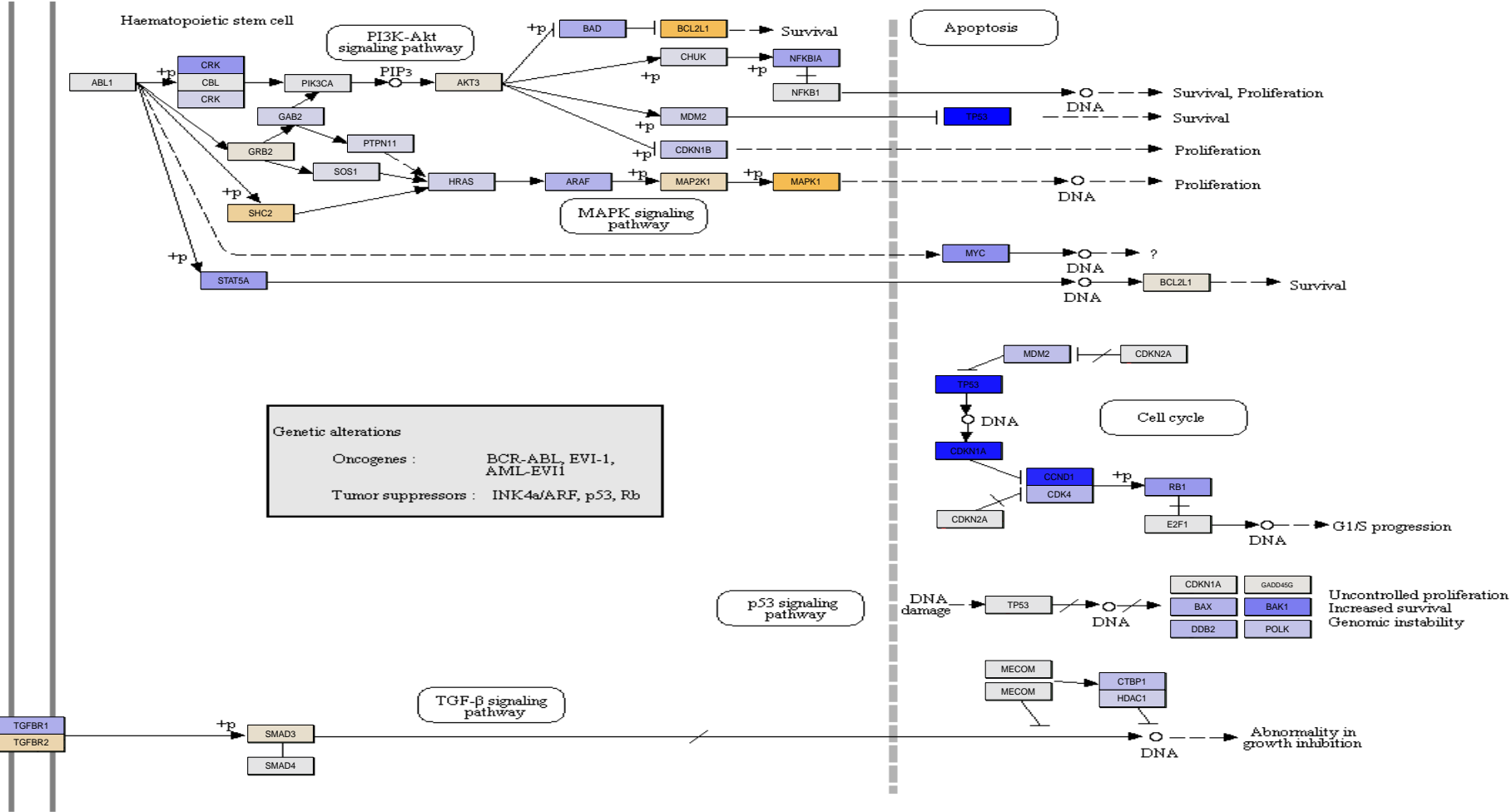
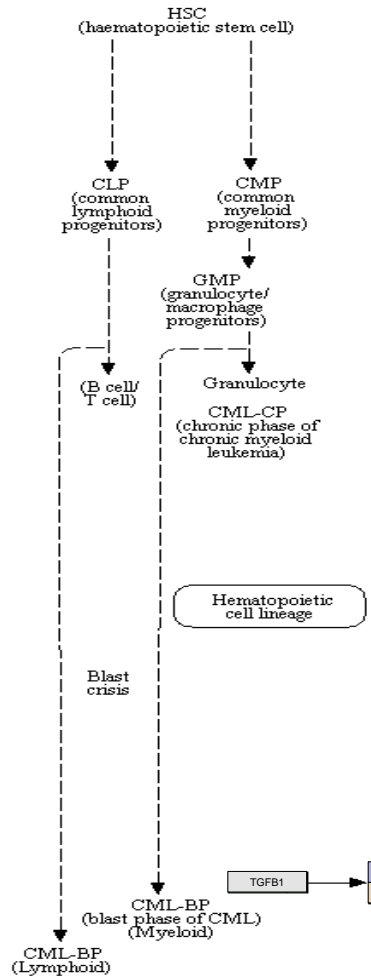
Chronic\_myeloid\_leukemia group 1



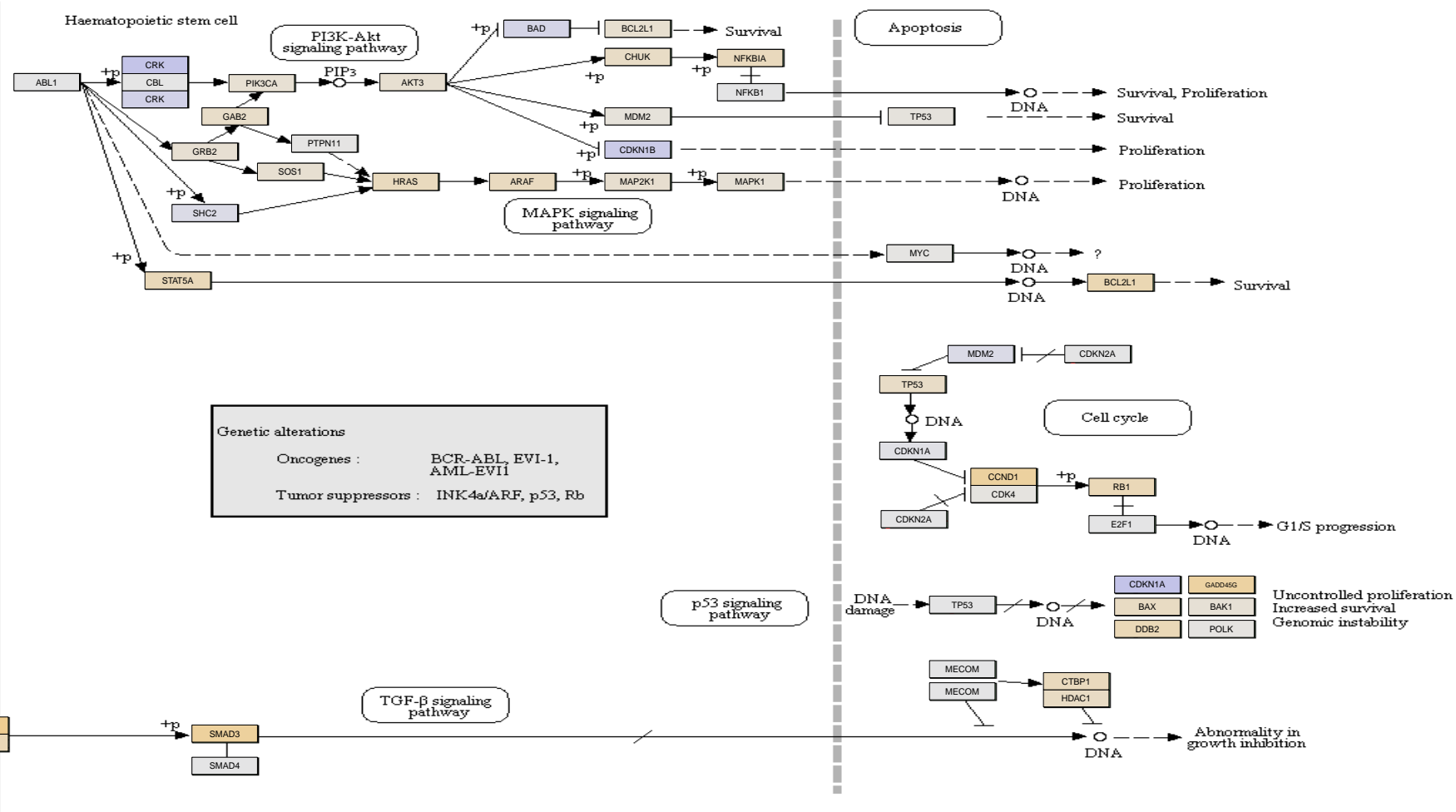
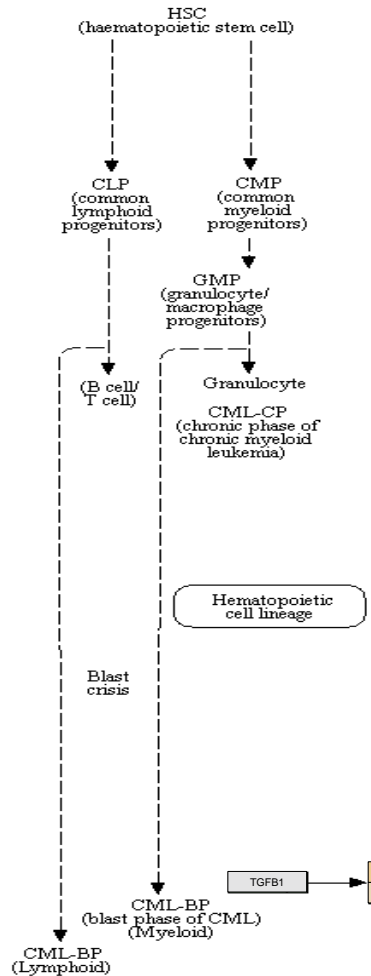
Chronic\_myeloid\_leukemia group 2



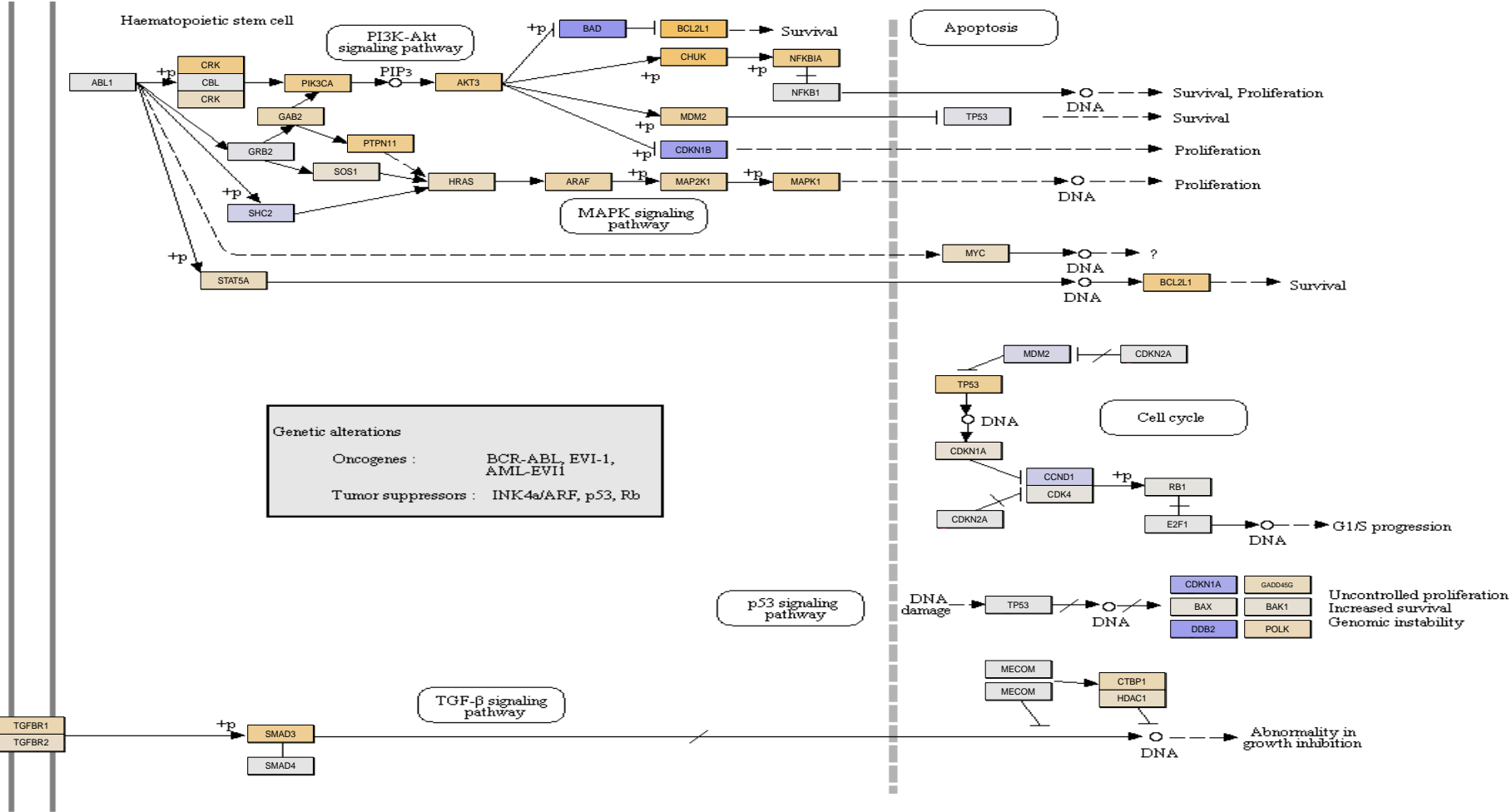
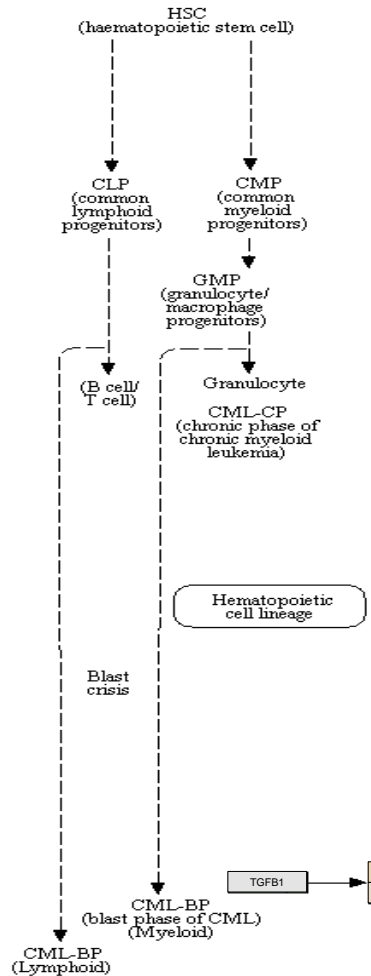
Chronic myeloid leukemia group 3



Chronic\_myeloid\_leukemia group 4



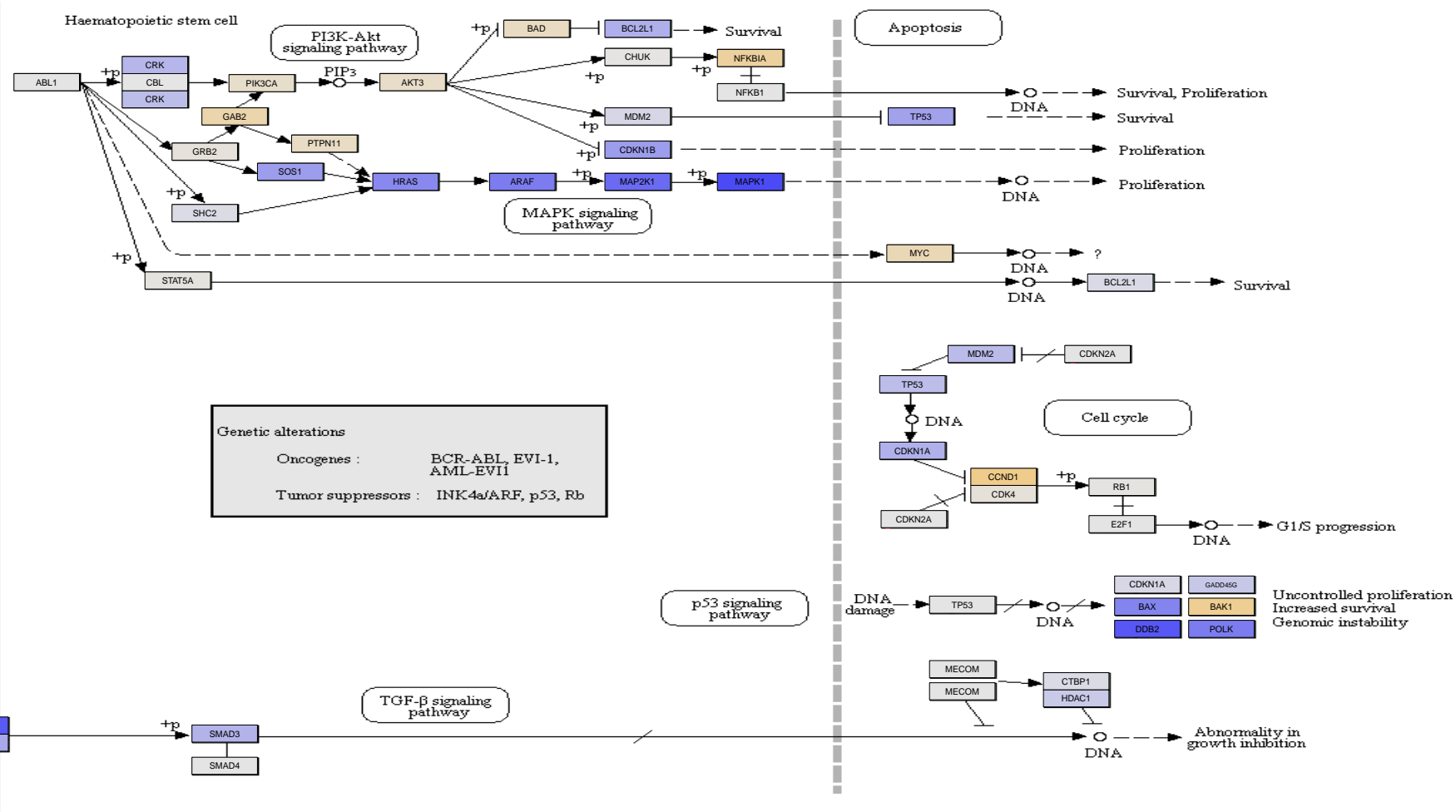
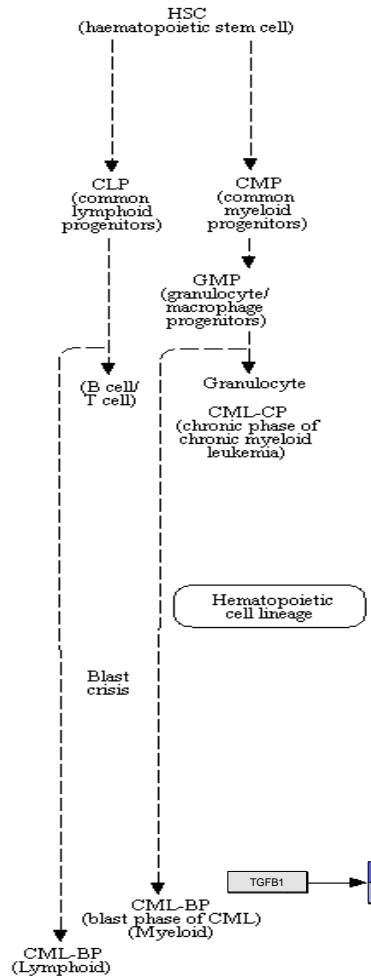
Chronic\_myeloid\_leukemia group 5



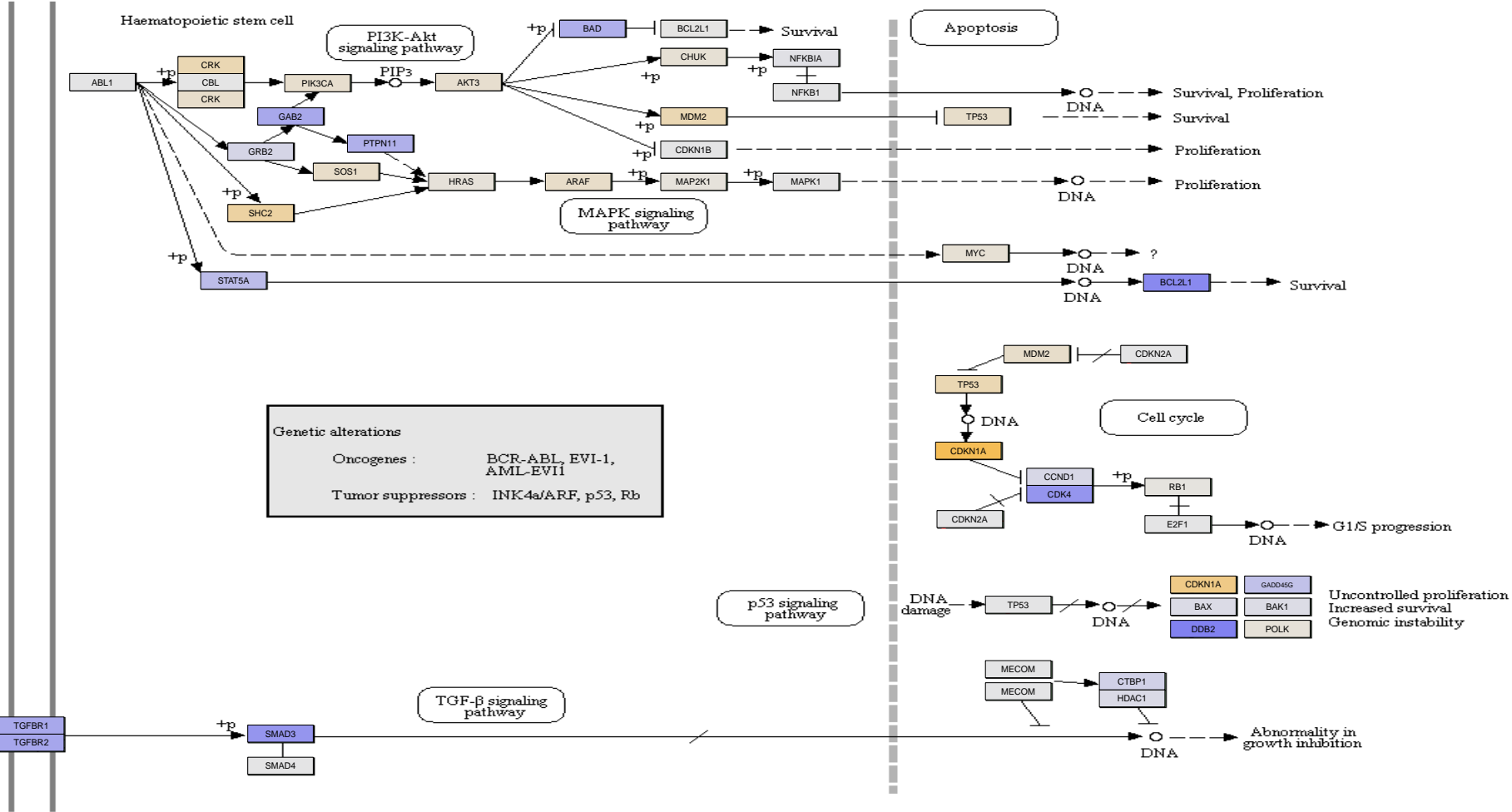
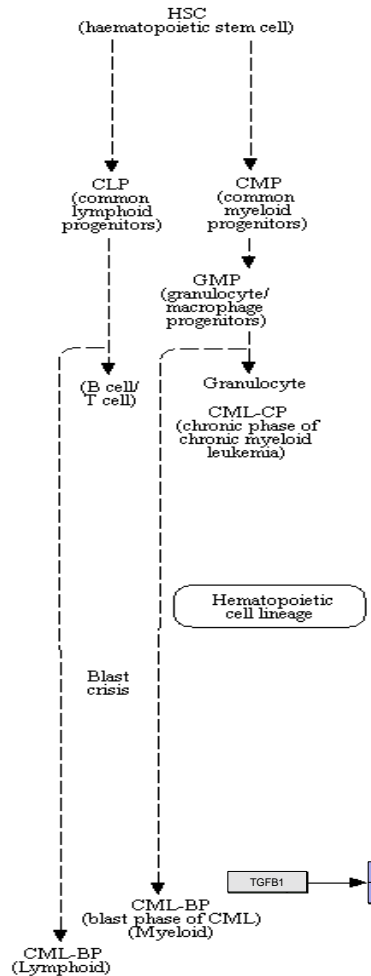
Genetic alterations  
 Oncogenes : BCR-ABL, EVI-1, AML-EVI1  
 Tumor suppressors : INK4a/ARF, p53, Rb



Chronic\_myeloid\_leukemia group 6



Chronic\_myeloid\_leukemia group 7



Chronic\_myeloid\_leukemia group 8

