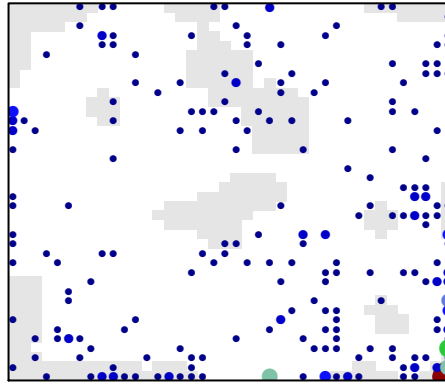
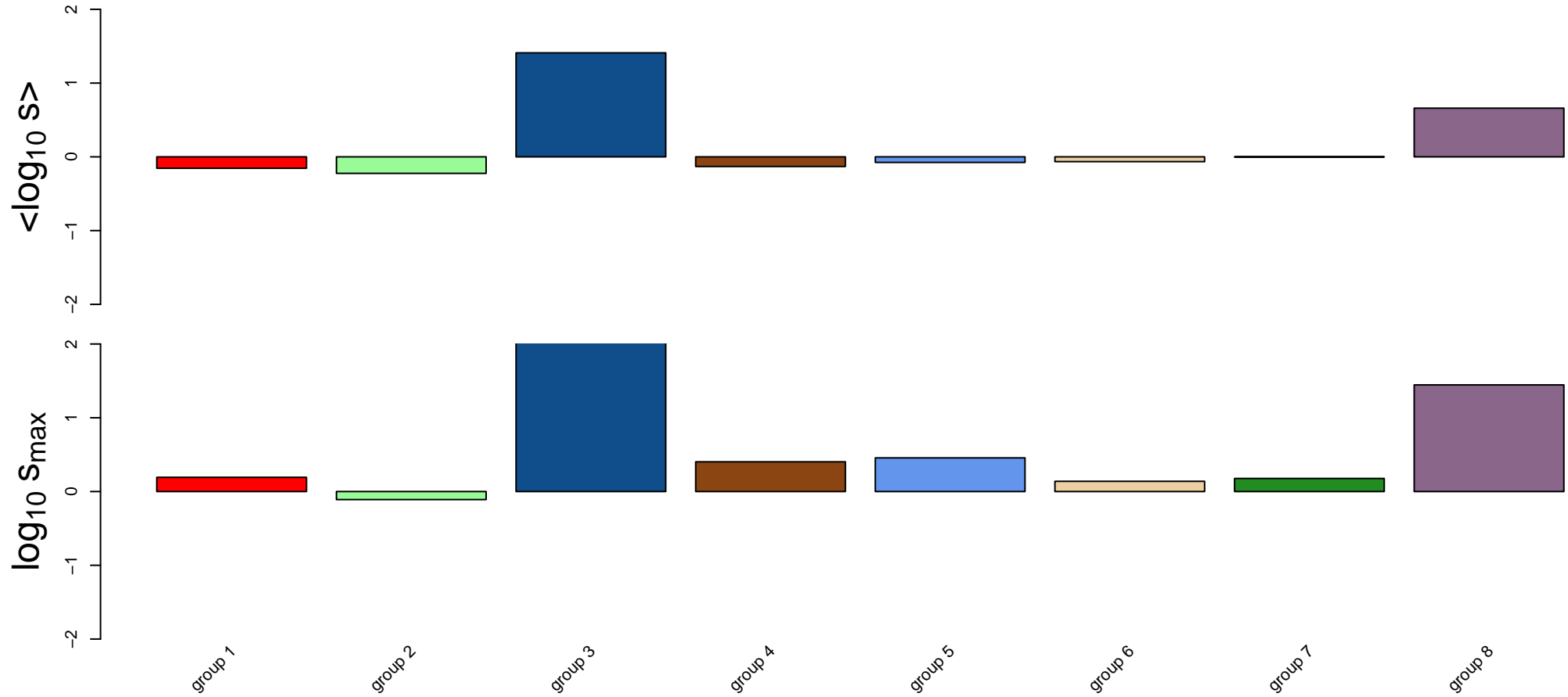
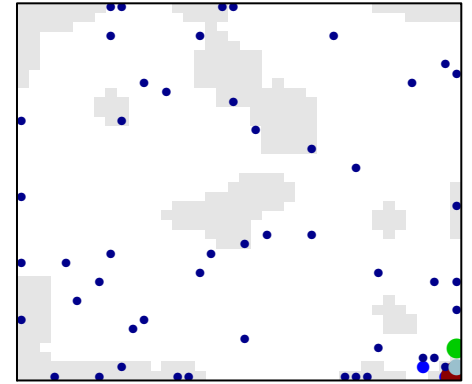


# Cholinergic synapse

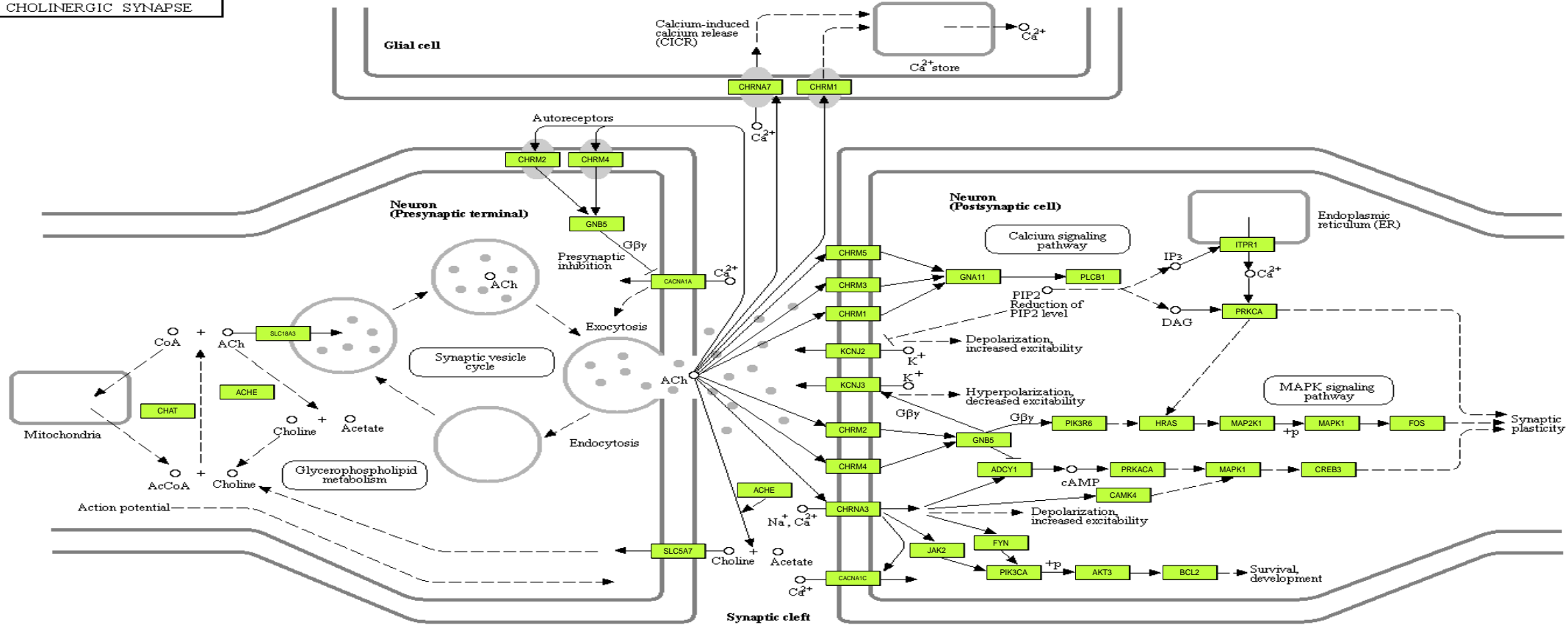
## all genes



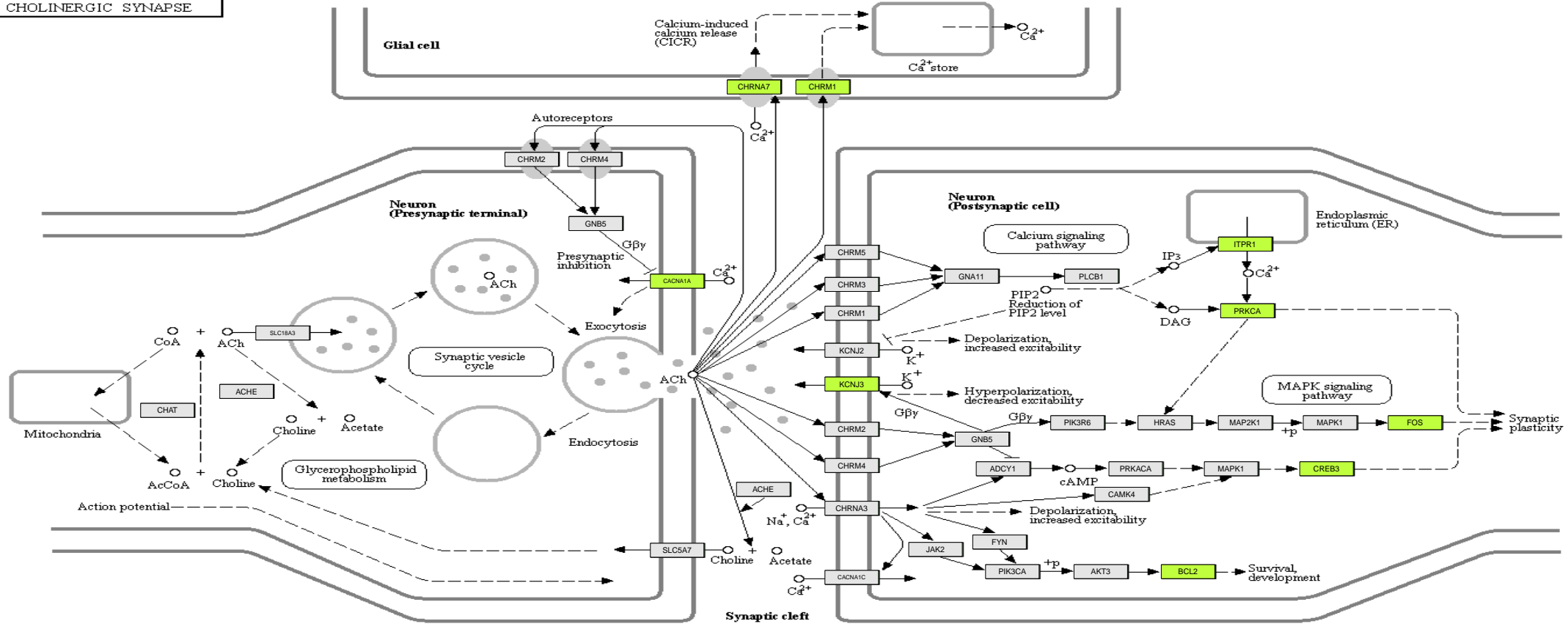
## sink node genes



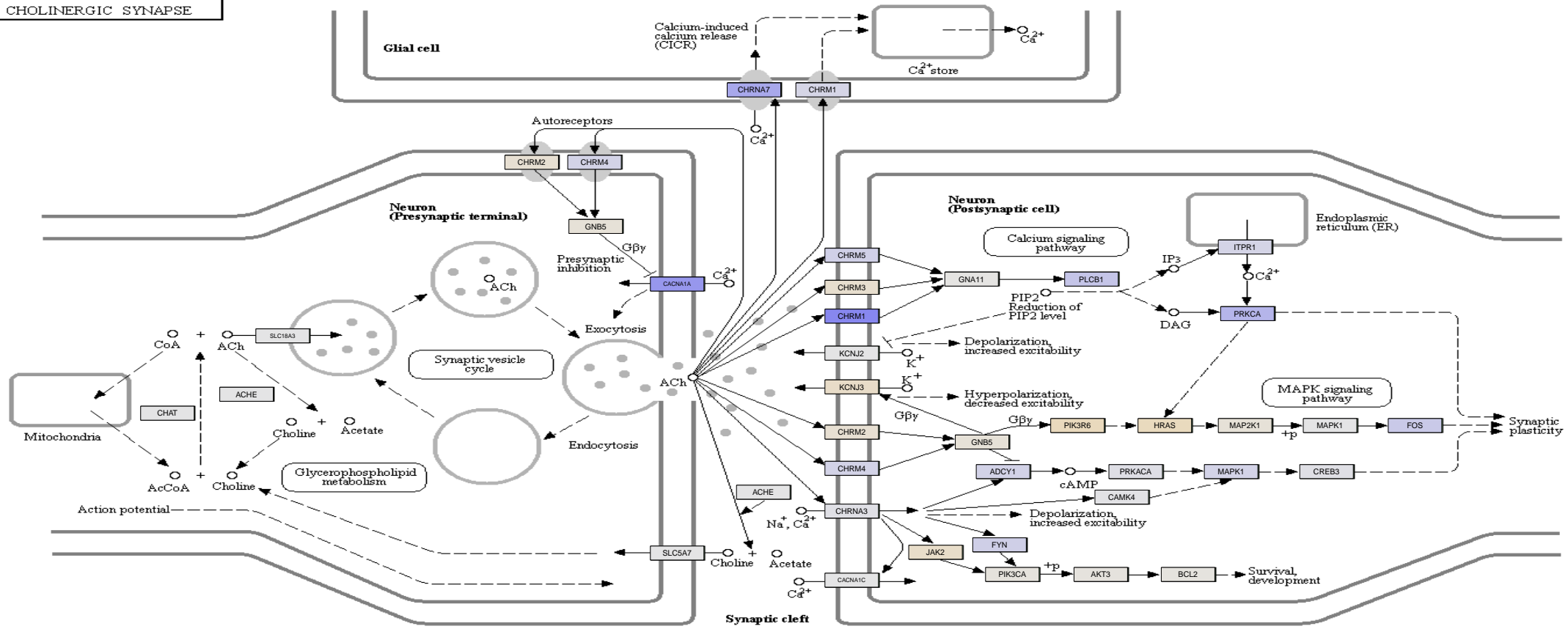
CHOLINERGIC SYNAPSE



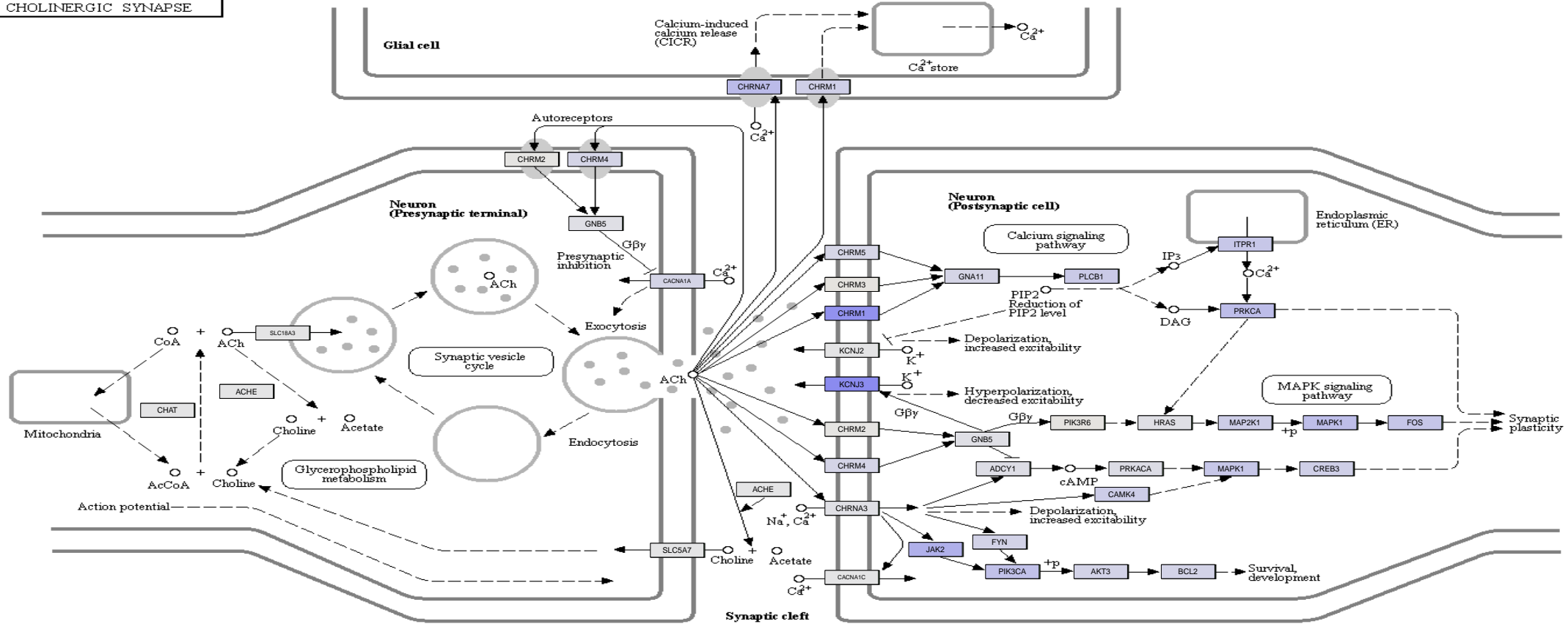
CHOLINERGIC SYNAPSE



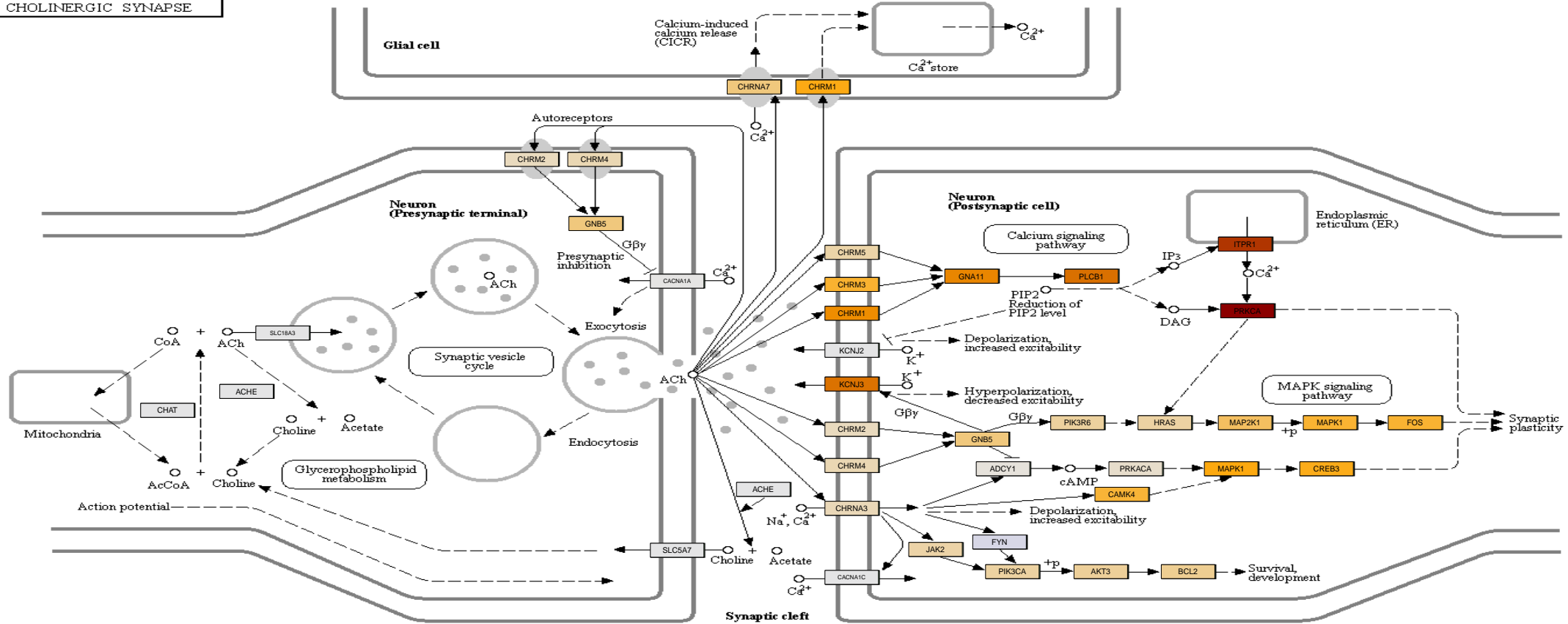
CHOLINERGIC SYNAPSE



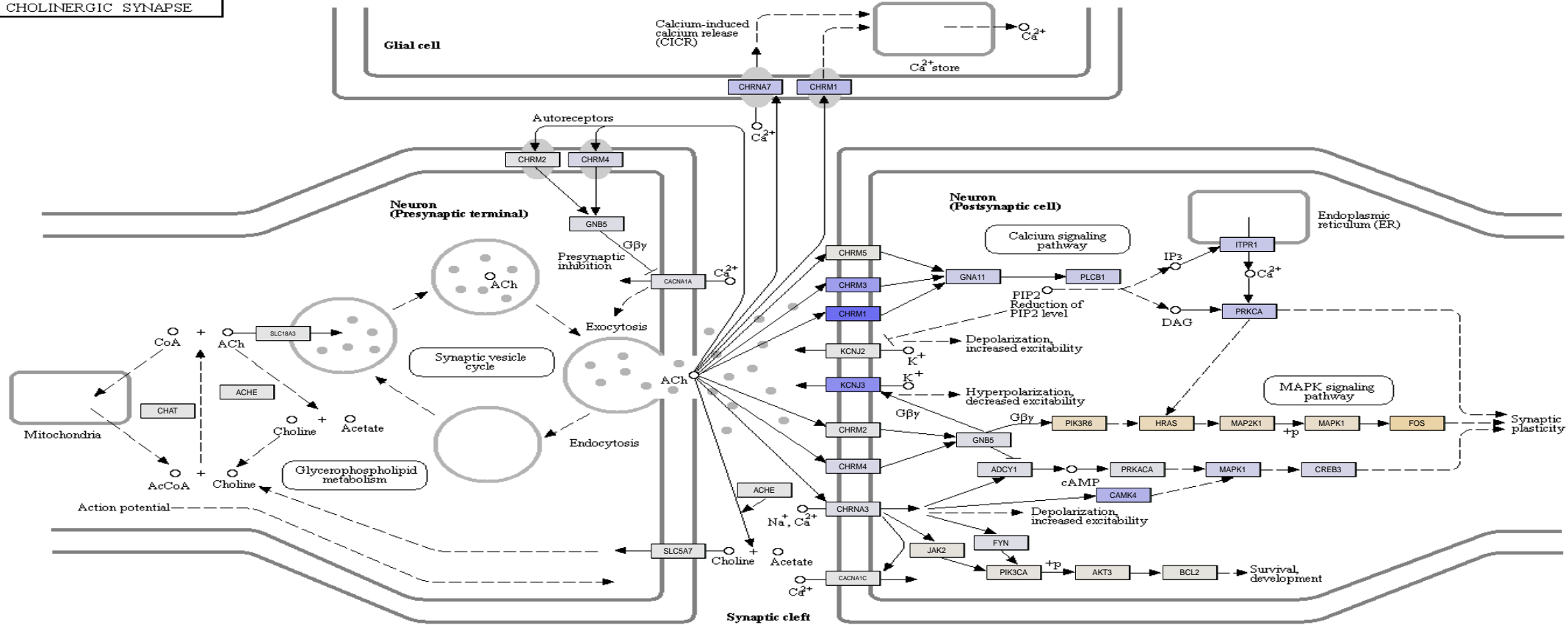
CHOLINERGIC SYNAPSE



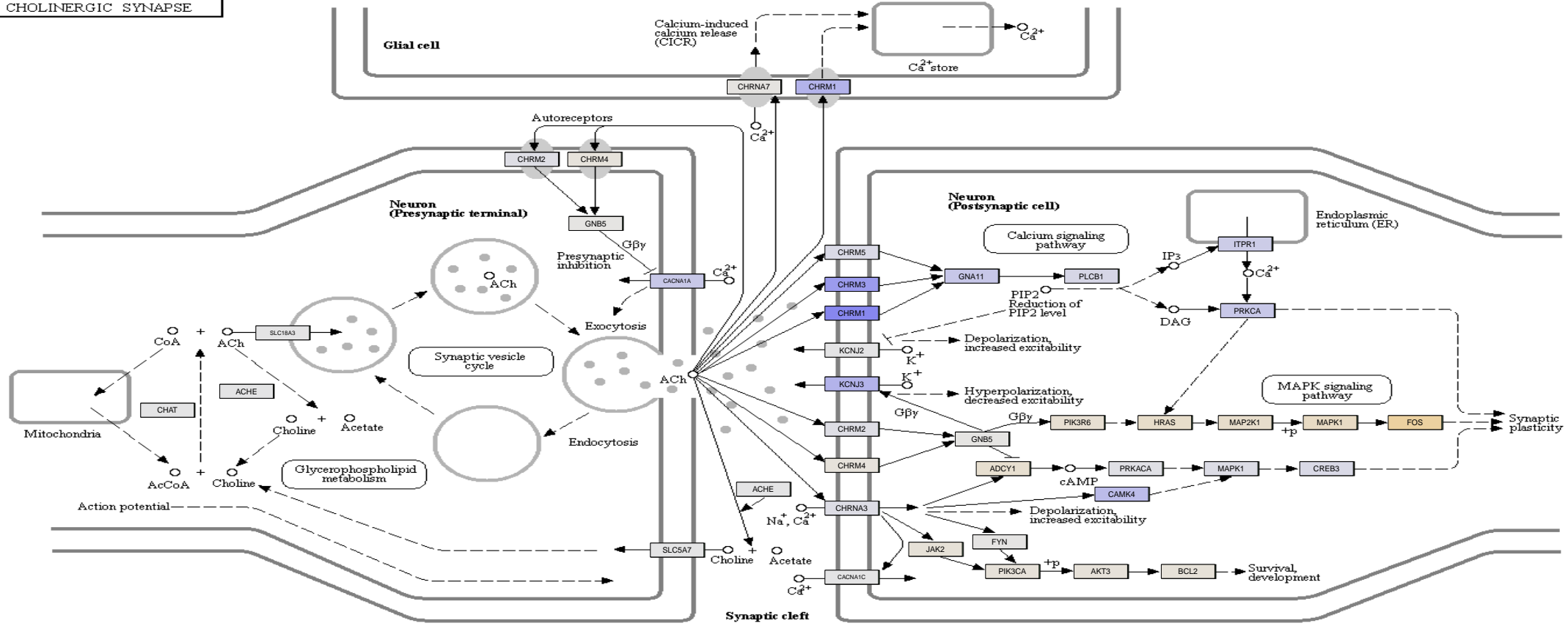
CHOLINERGIC SYNAPSE



CHOLINERGIC SYNAPSE

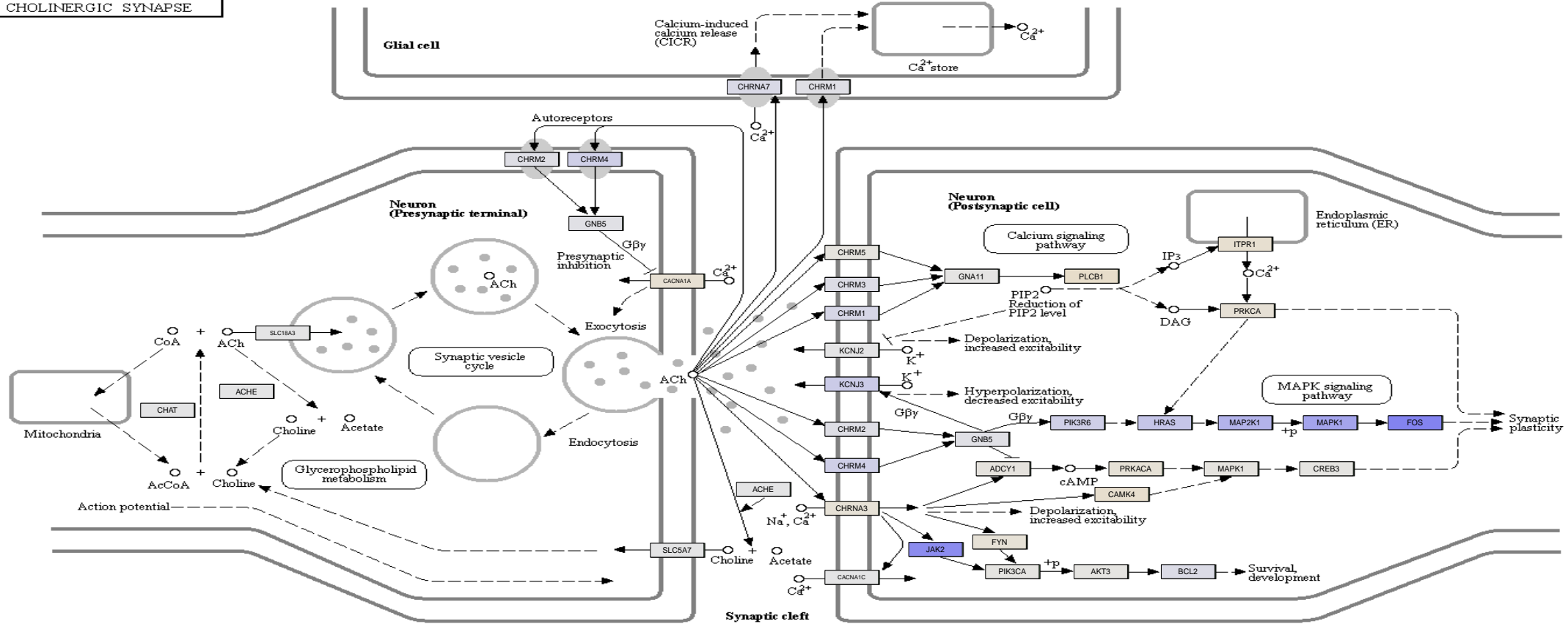


CHOLINERGIC SYNAPSE

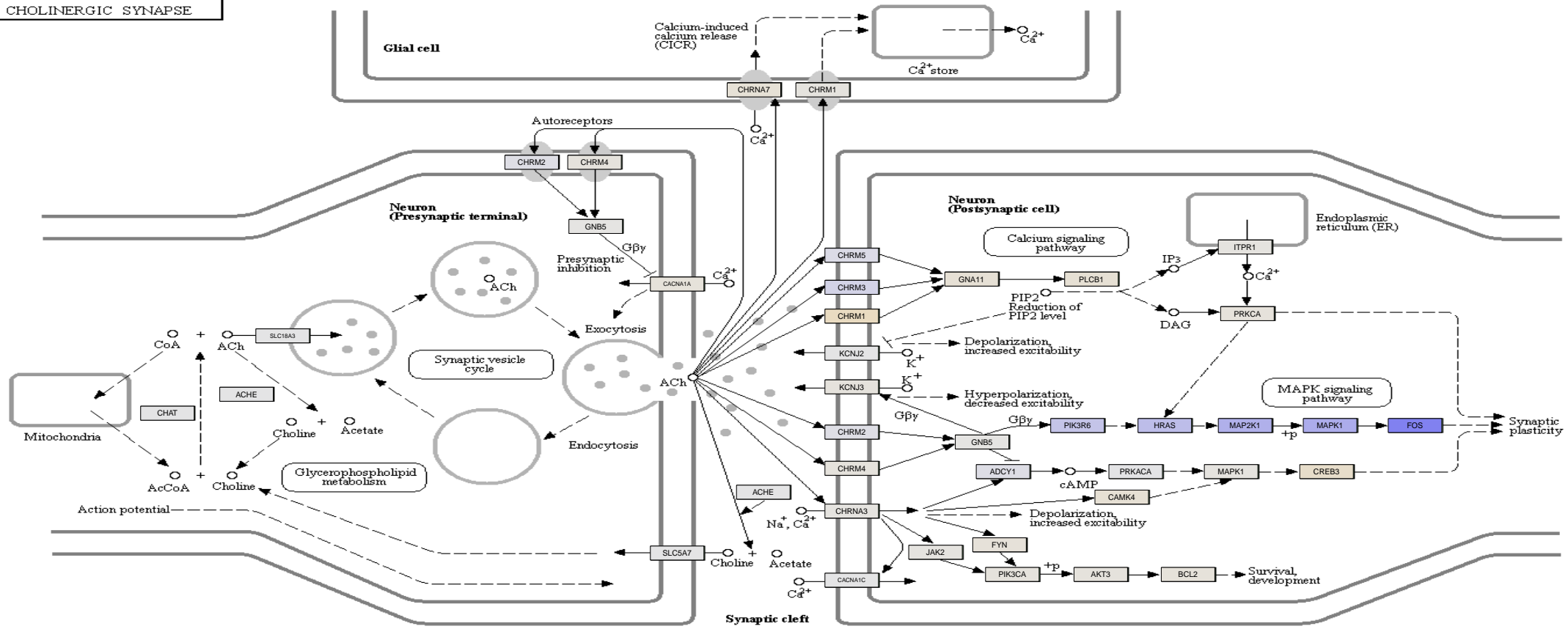




CHOLINERGIC SYNAPSE



CHOLINERGIC SYNAPSE



CHOLINERGIC SYNAPSE

