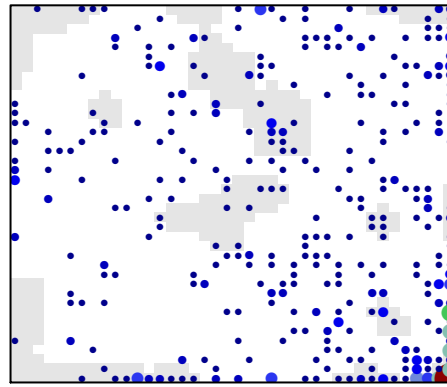
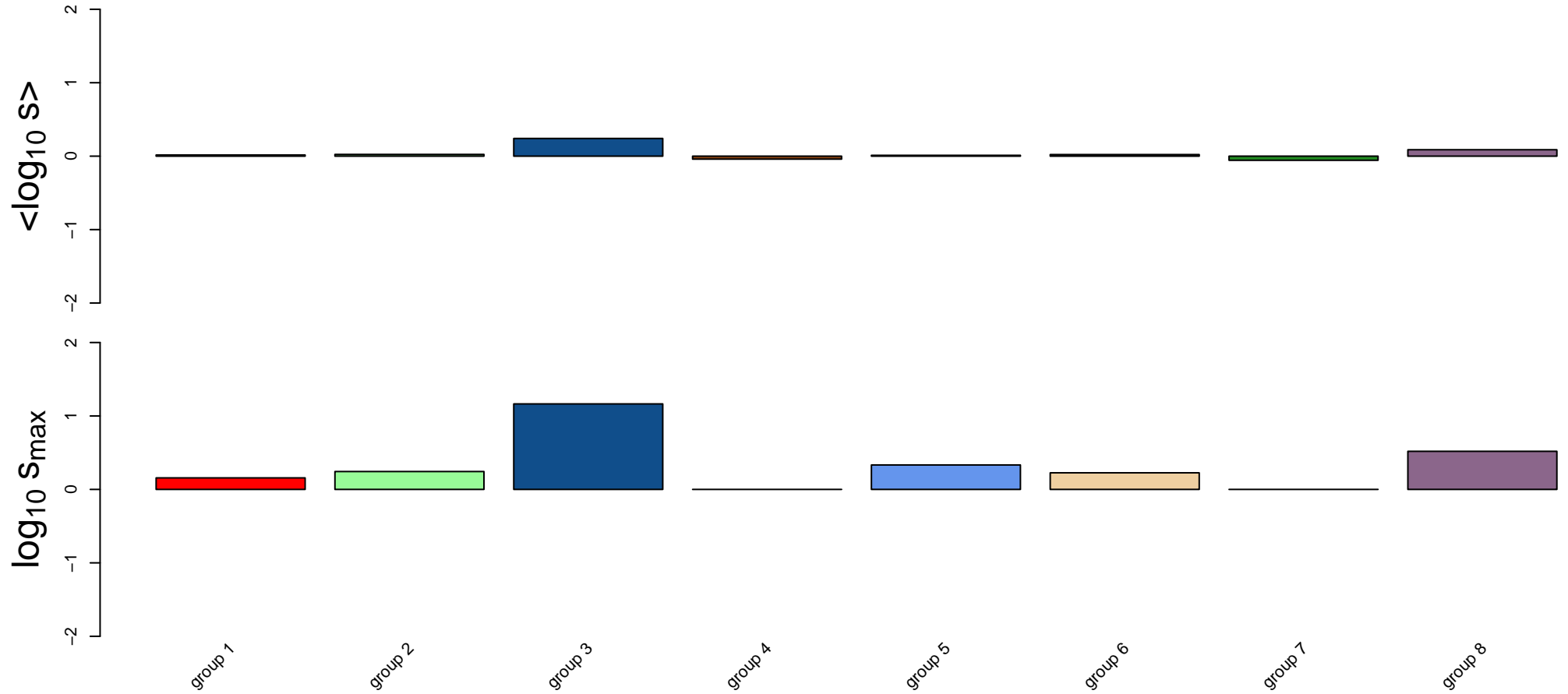
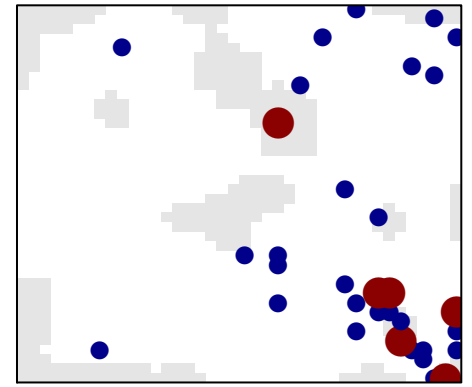


Calcium signaling pathway

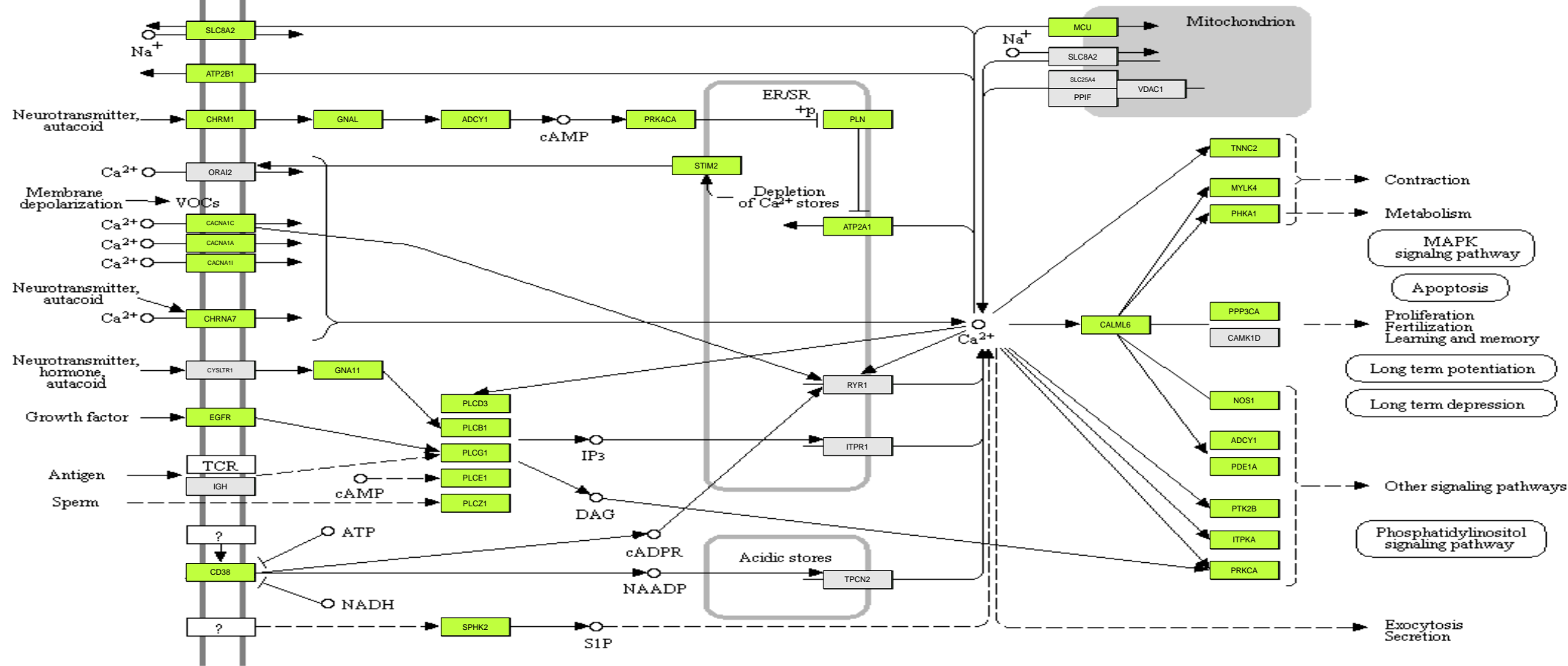
all genes



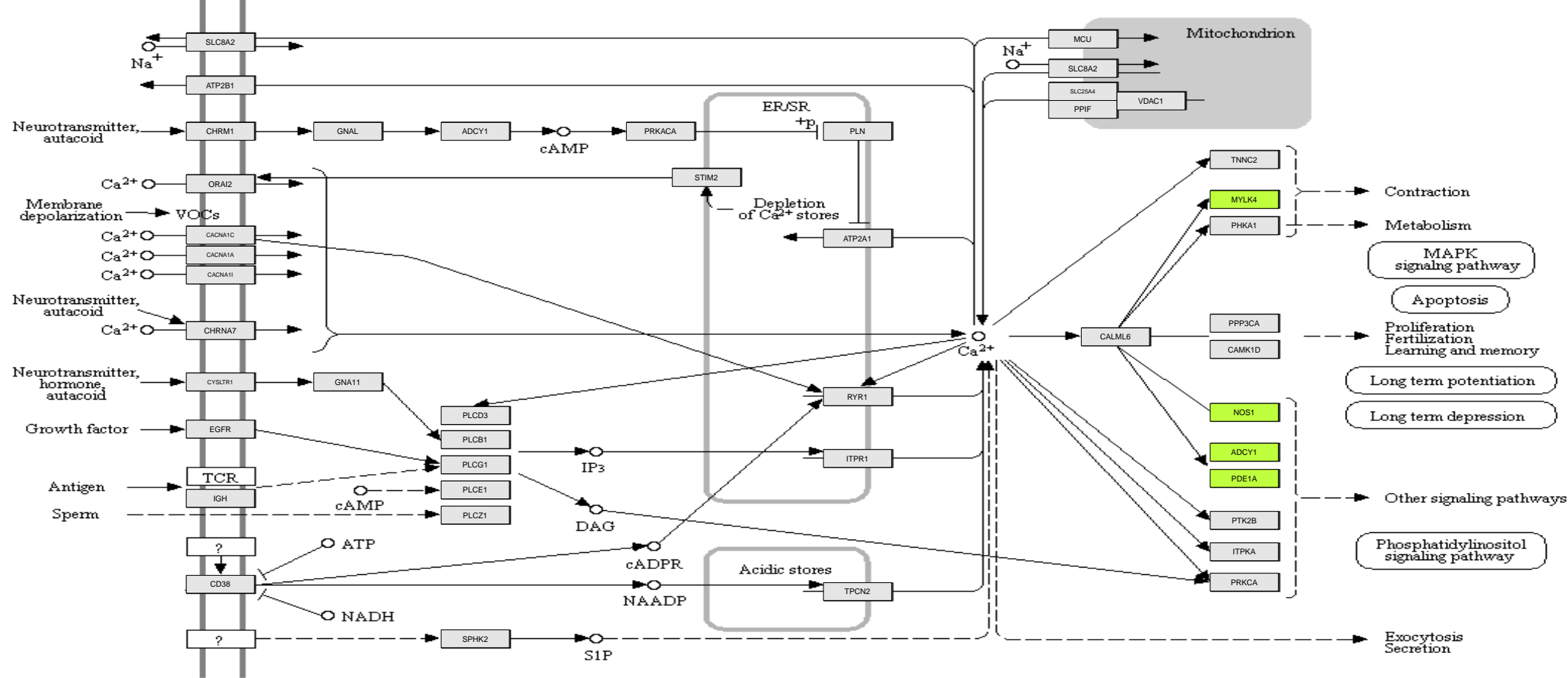
sink node genes



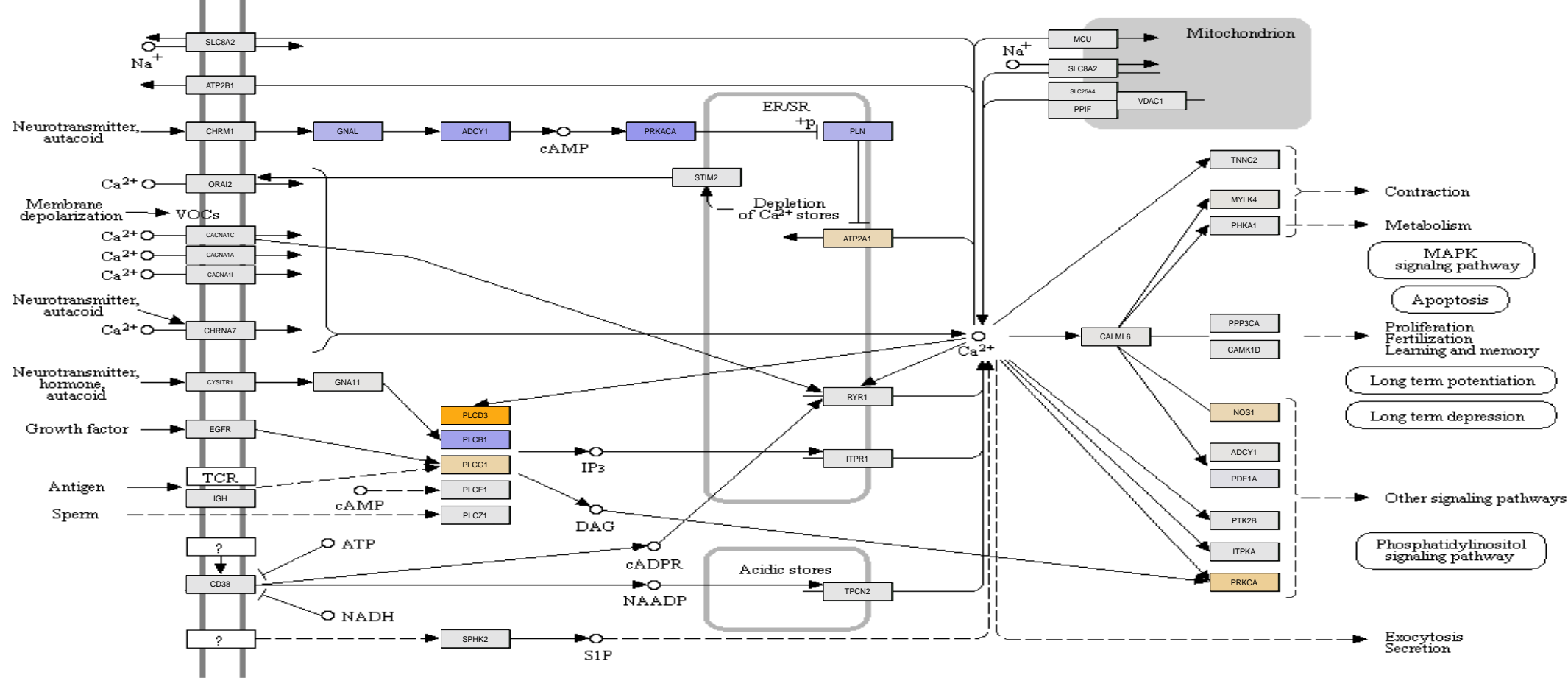
Calcium_signaling_pathway genes with data



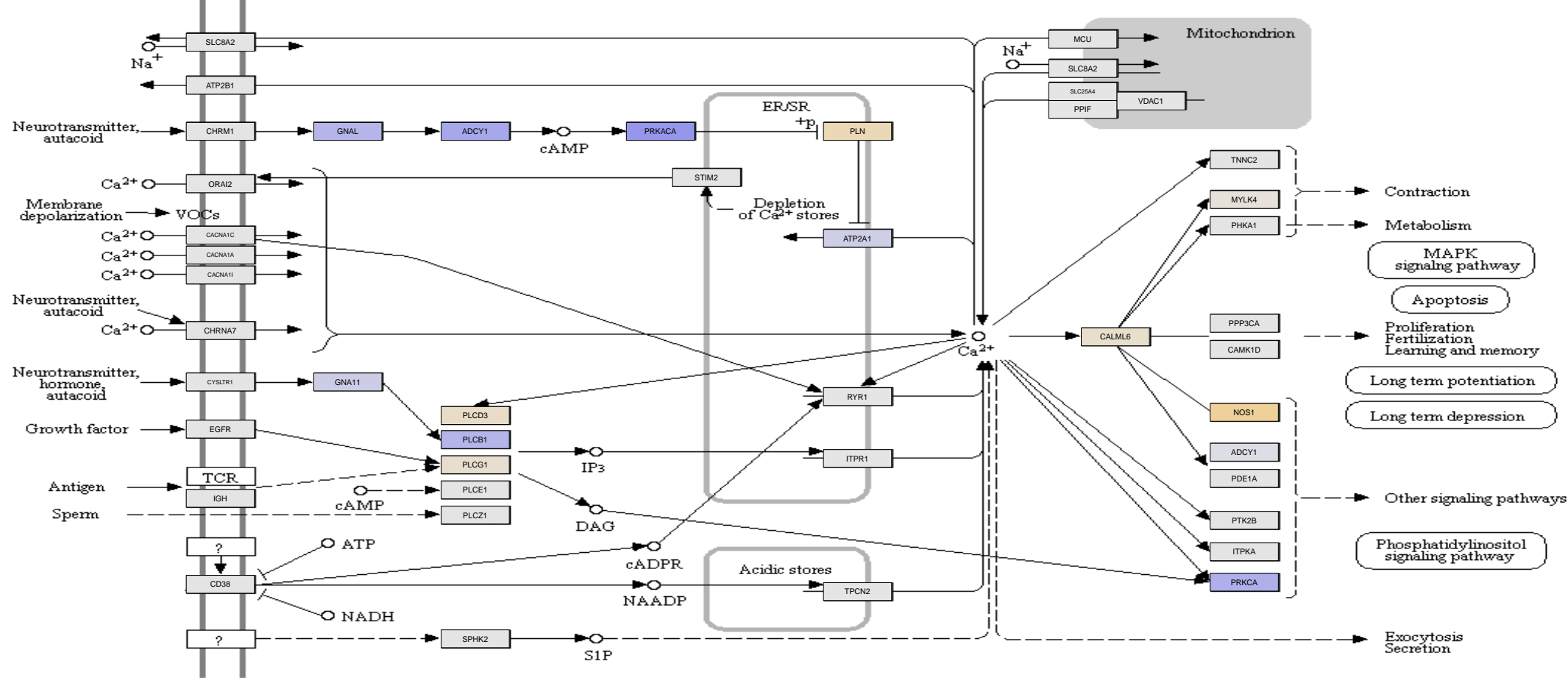
Calcium_signaling_pathway sink nodes



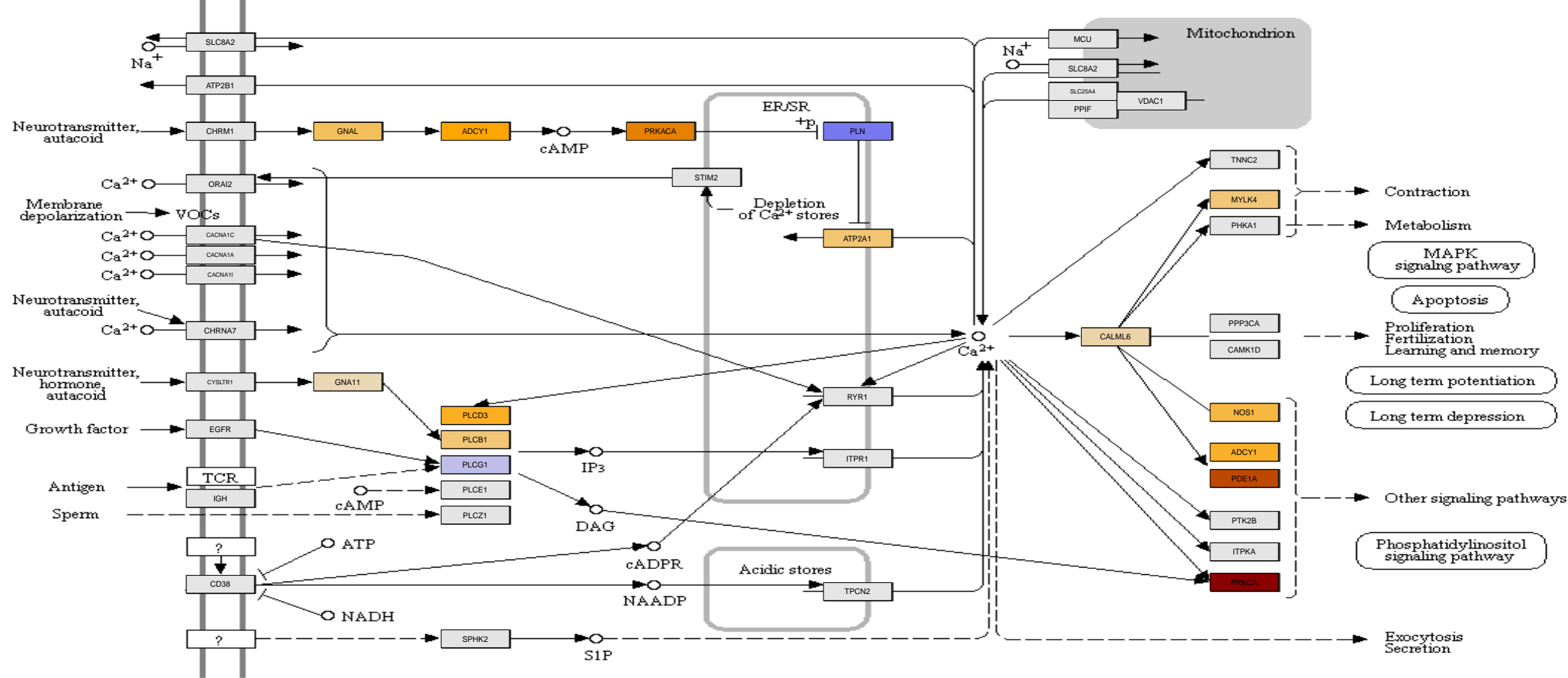
Calcium_signaling_pathway group 1



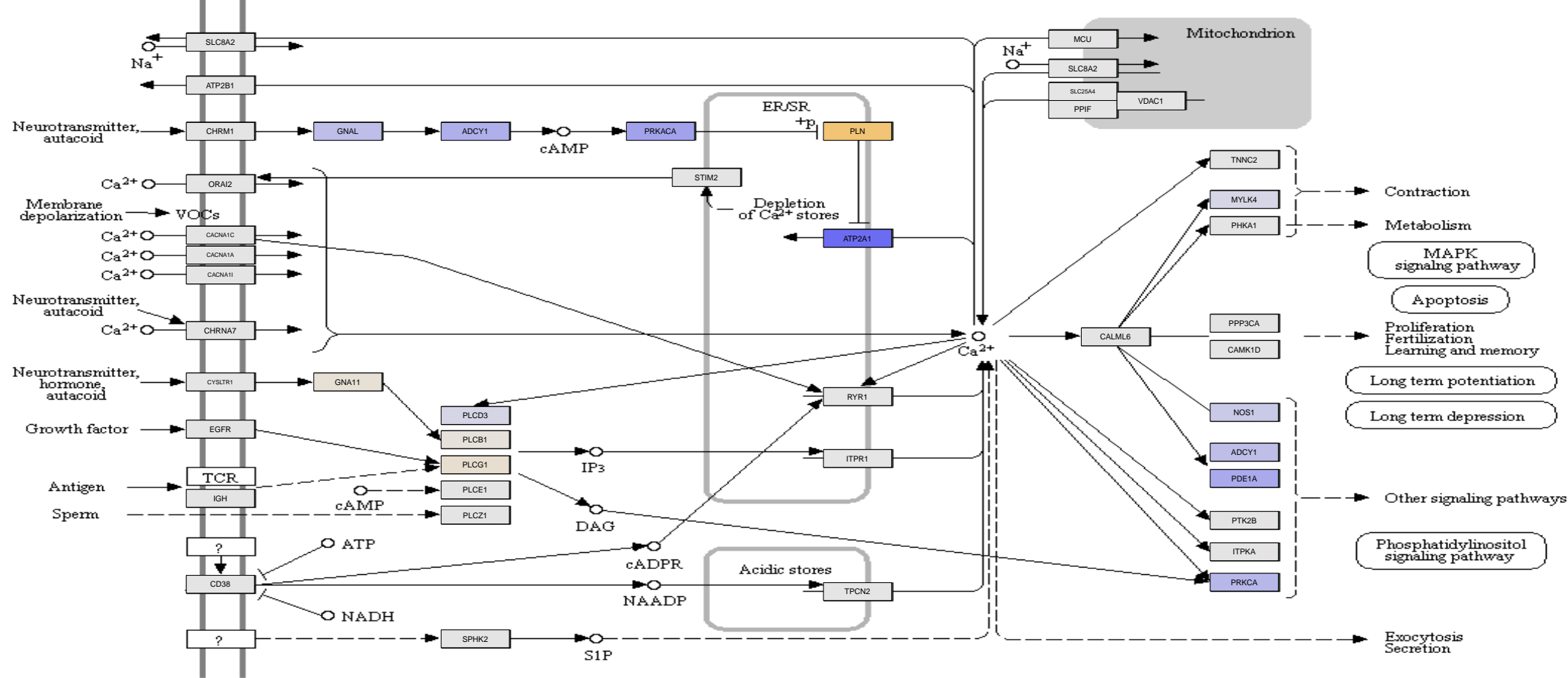
Calcium_signaling_pathway group 2



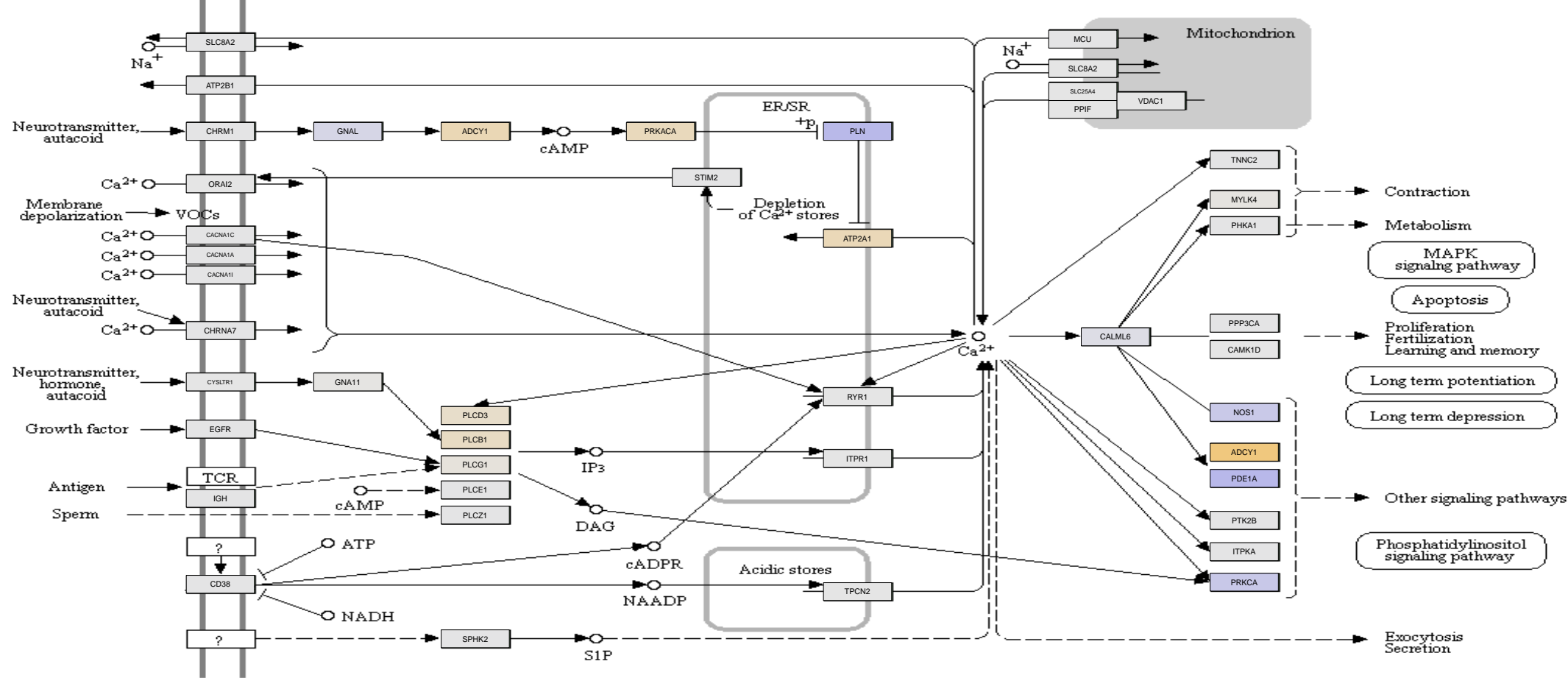
Calcium_signaling_pathway group 3



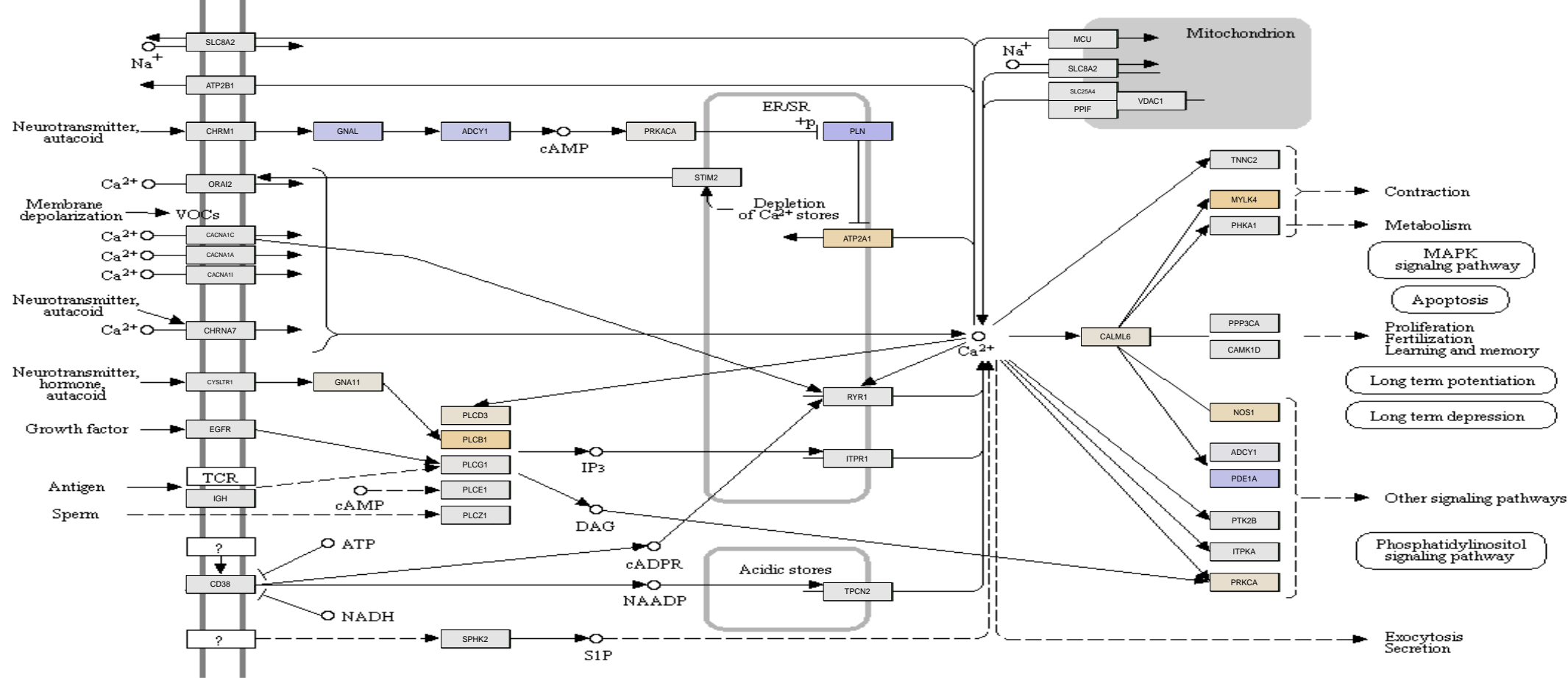
Calcium_signaling_pathway group 4



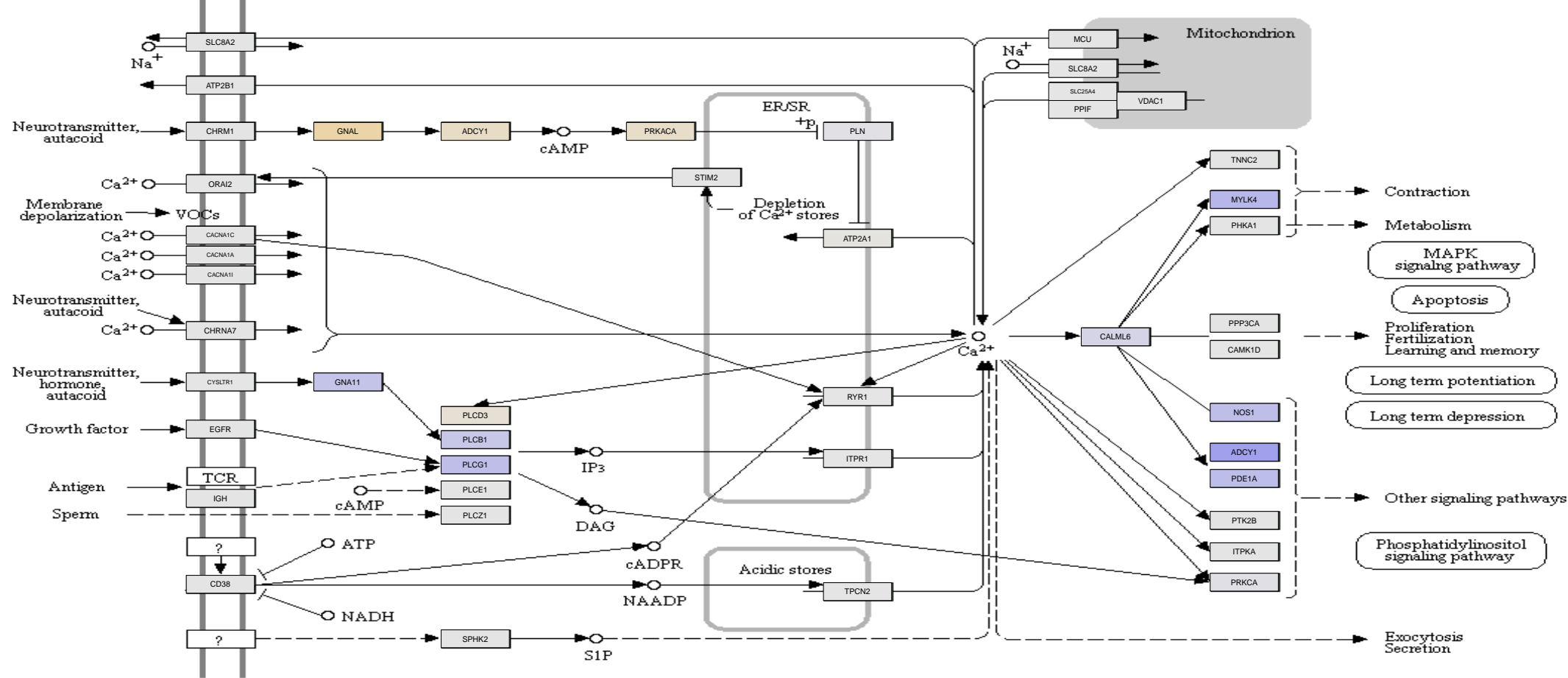
Calcium_signaling_pathway group 5



Calcium_signaling_pathway group 6



Calcium_signaling_pathway group 7



Calcium_signaling_pathway group 8

