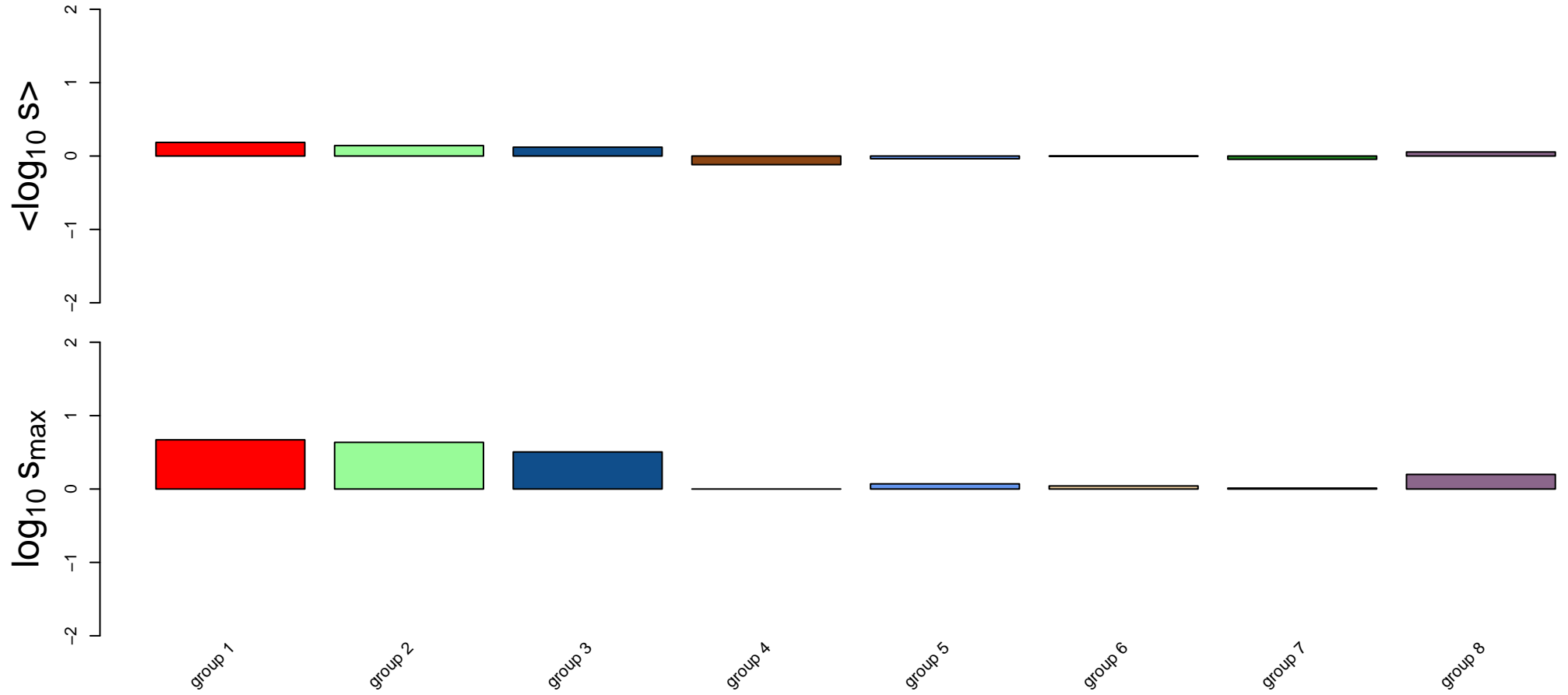
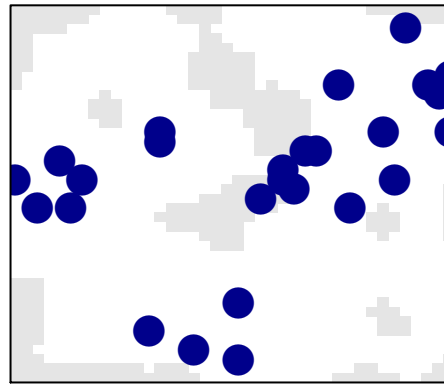
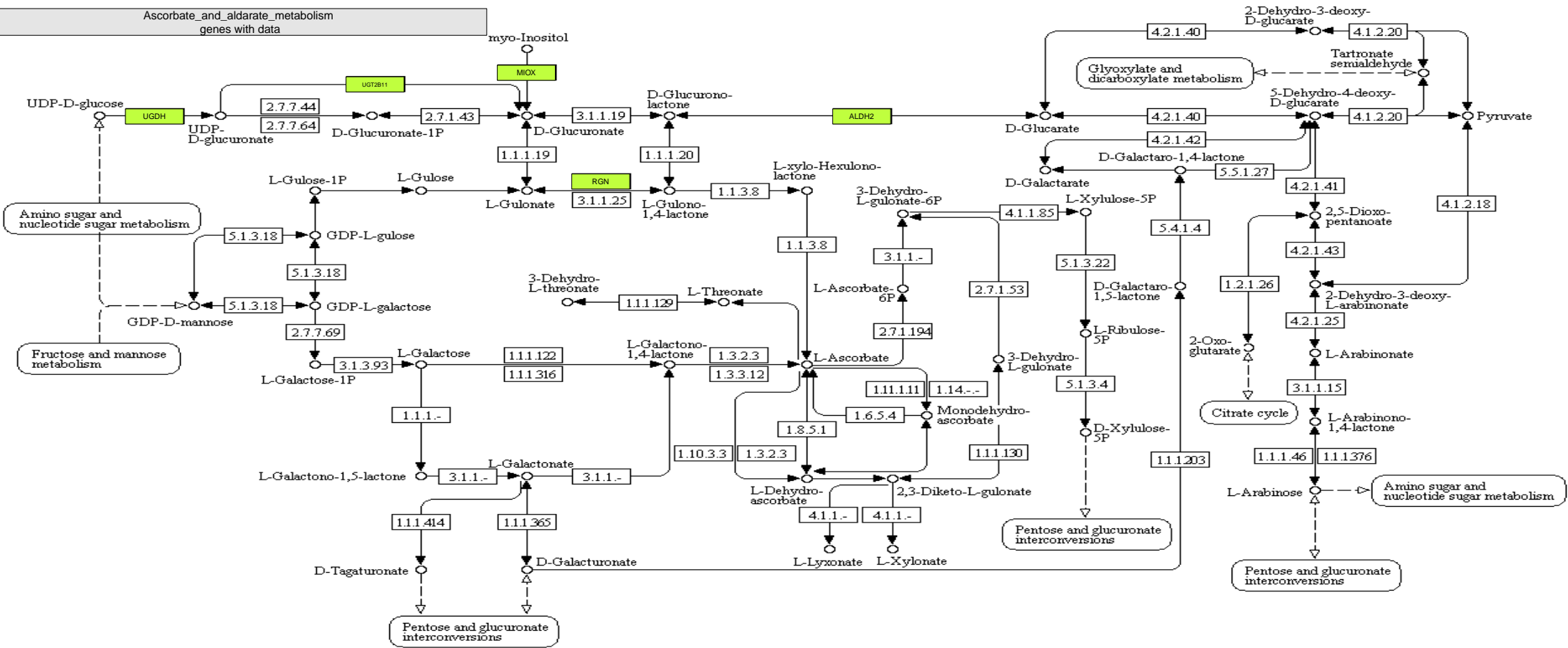


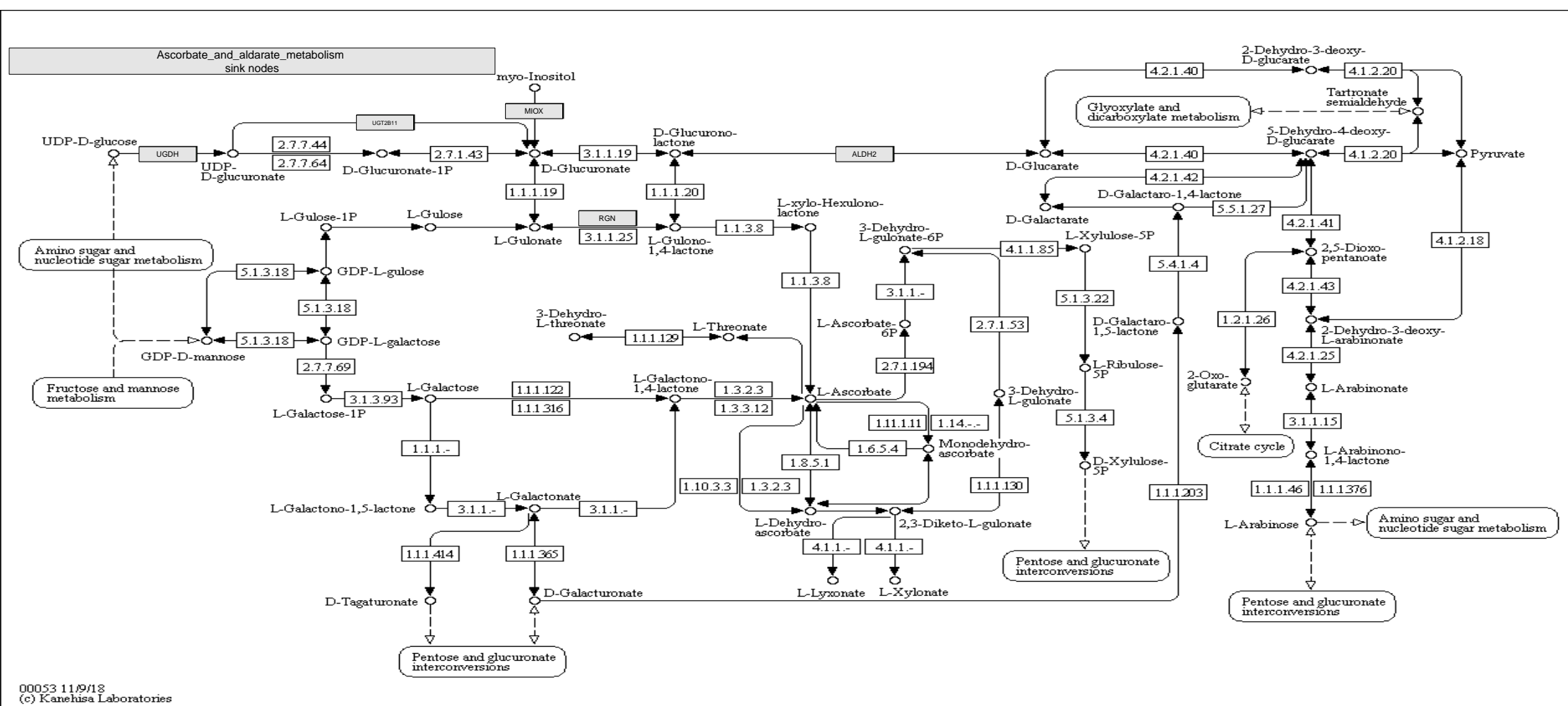
Ascorbate and aldarate metabolism

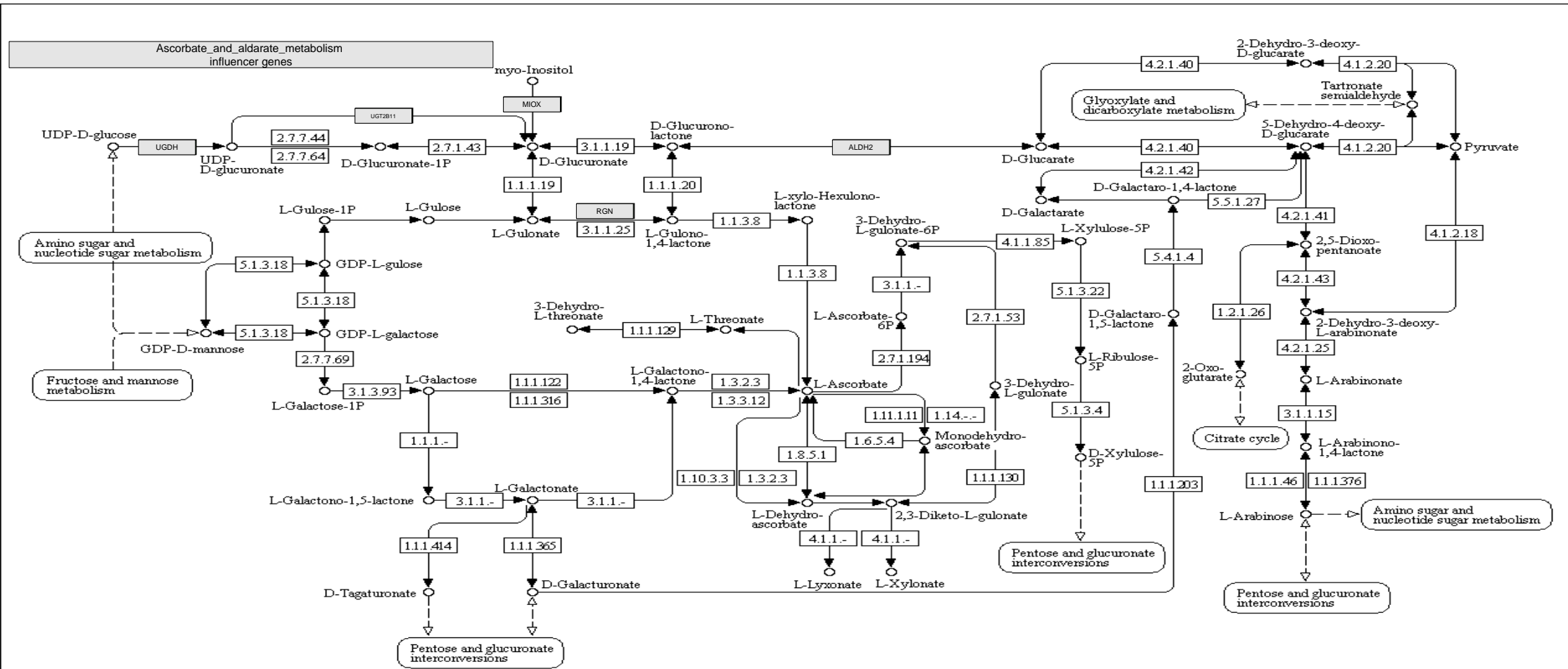
all genes

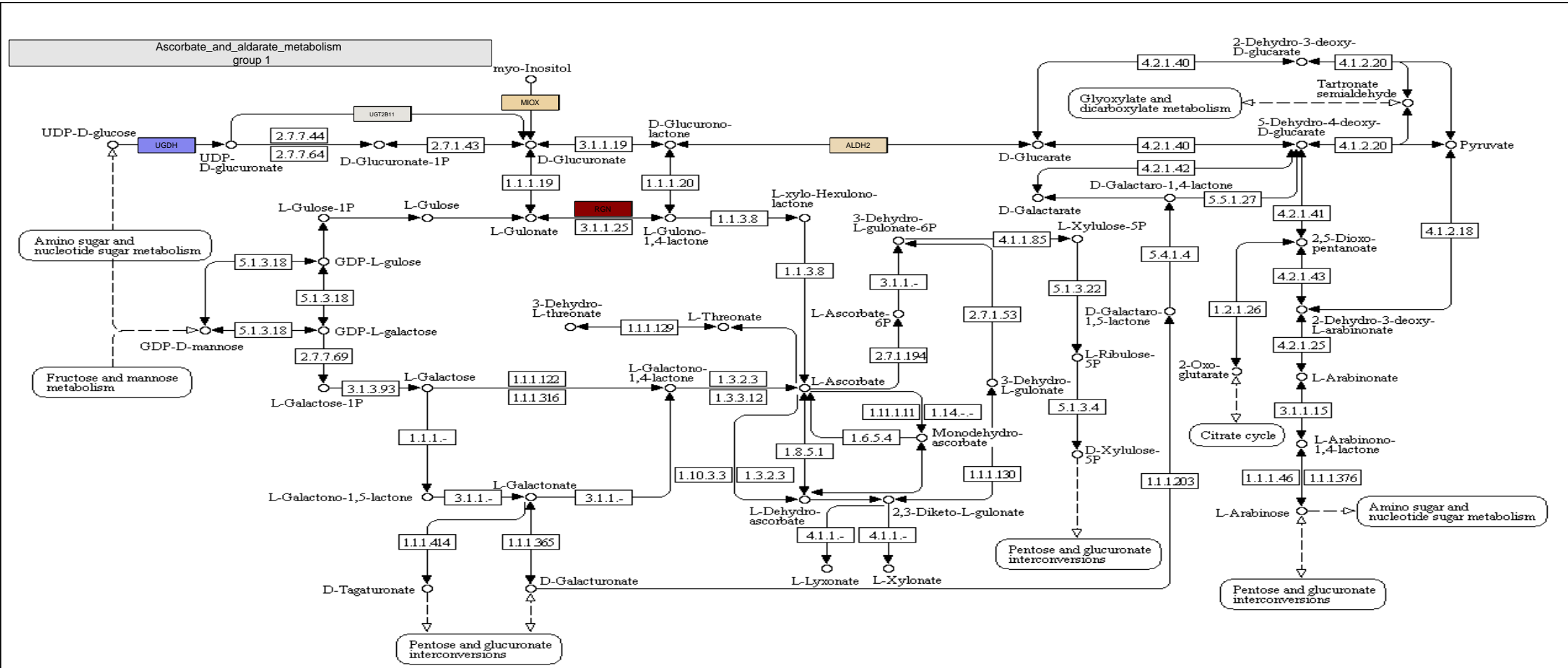


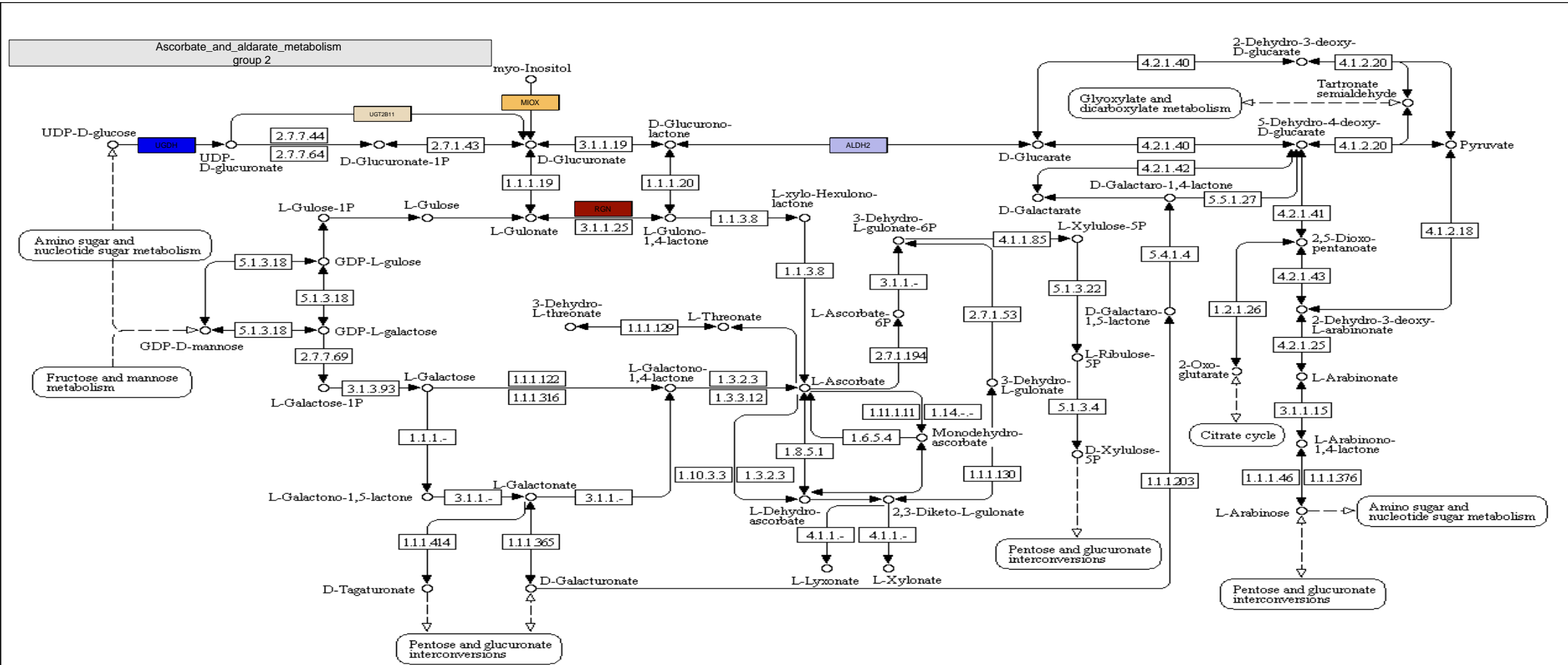
Ascorbate and aldarate metabolism genes with data



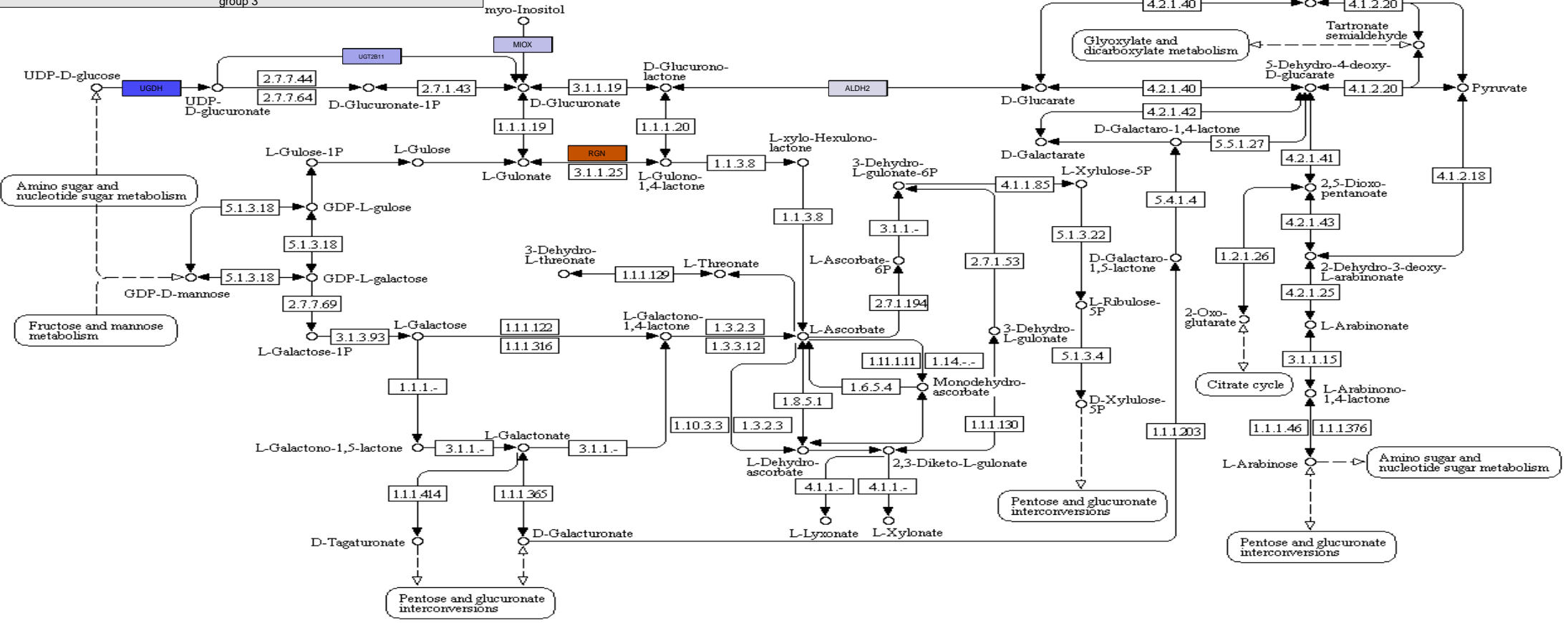




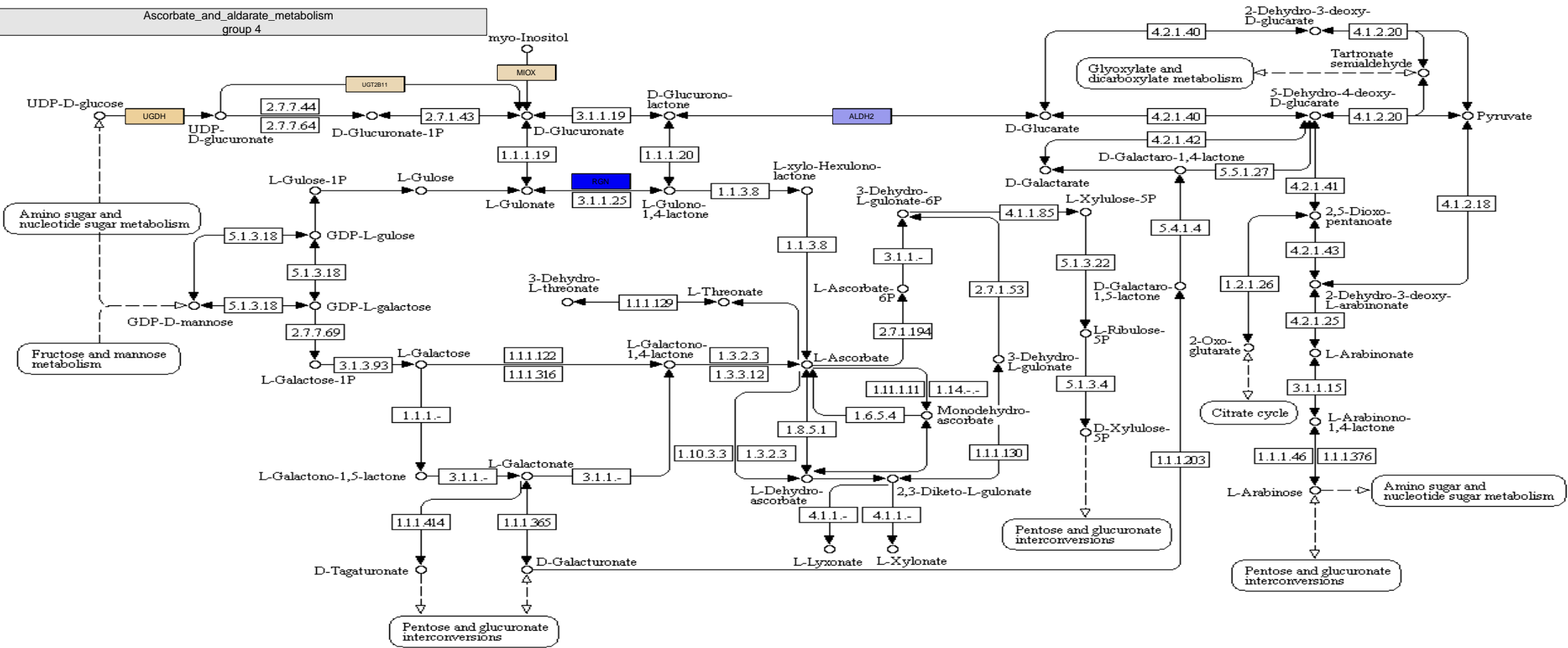




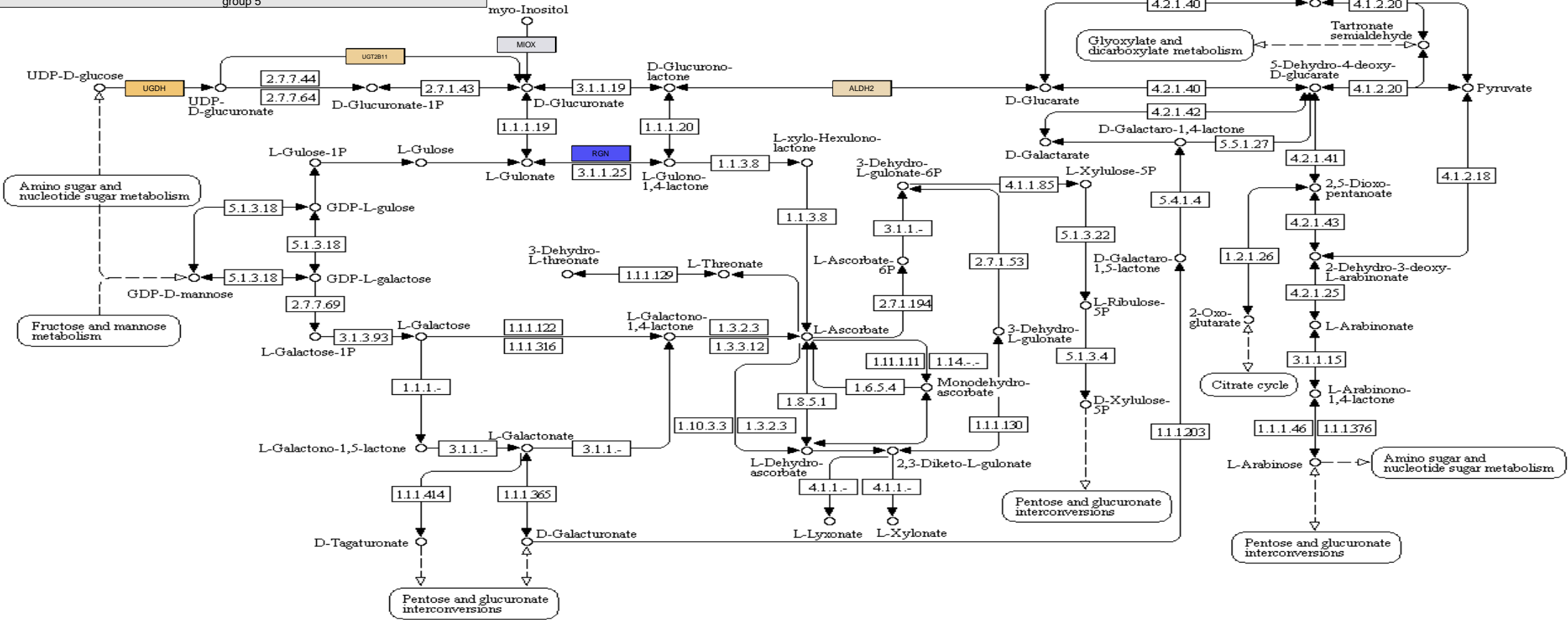
Ascorbate and aldarate metabolism
group 3



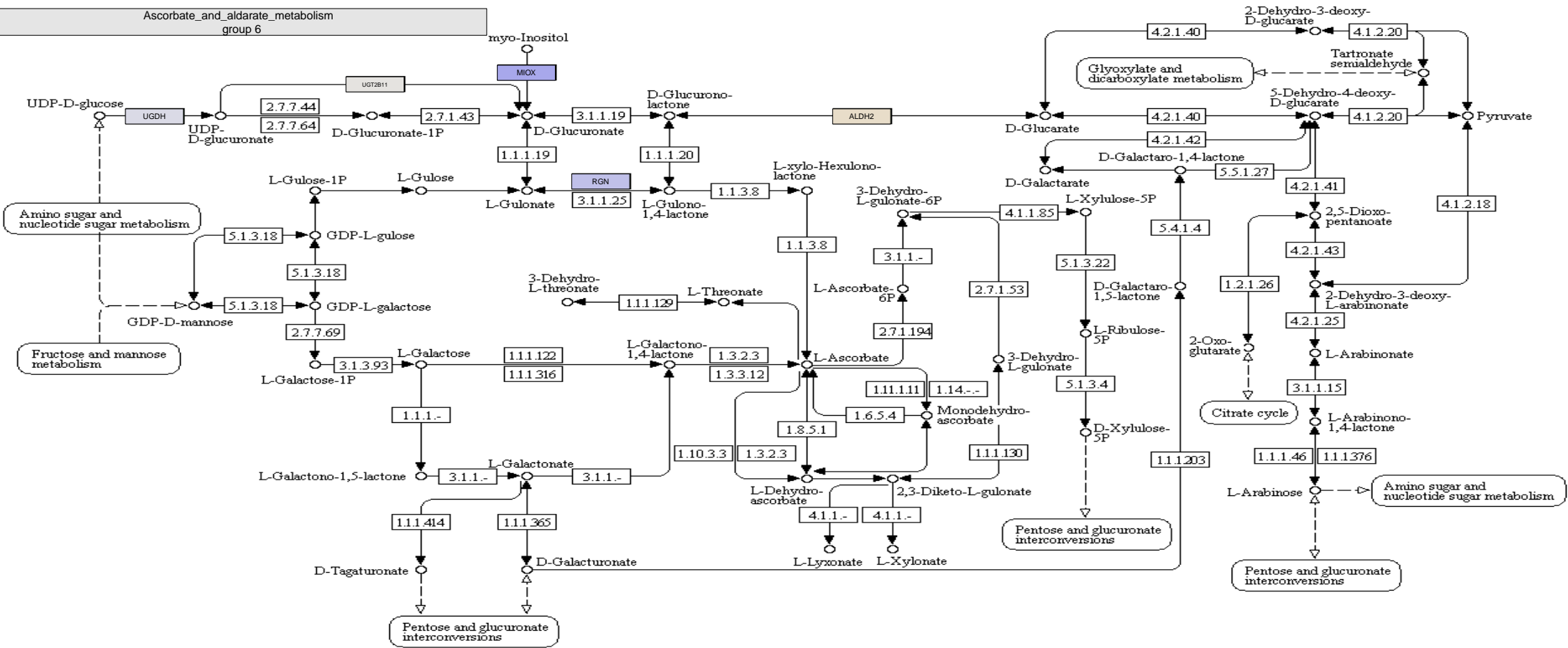
Ascorbate and aldarate metabolism group 4



Ascorbate and aldarate metabolism group 5



Ascorbate and aldarate metabolism group 6



Ascorbate and aldarate metabolism
group 7

