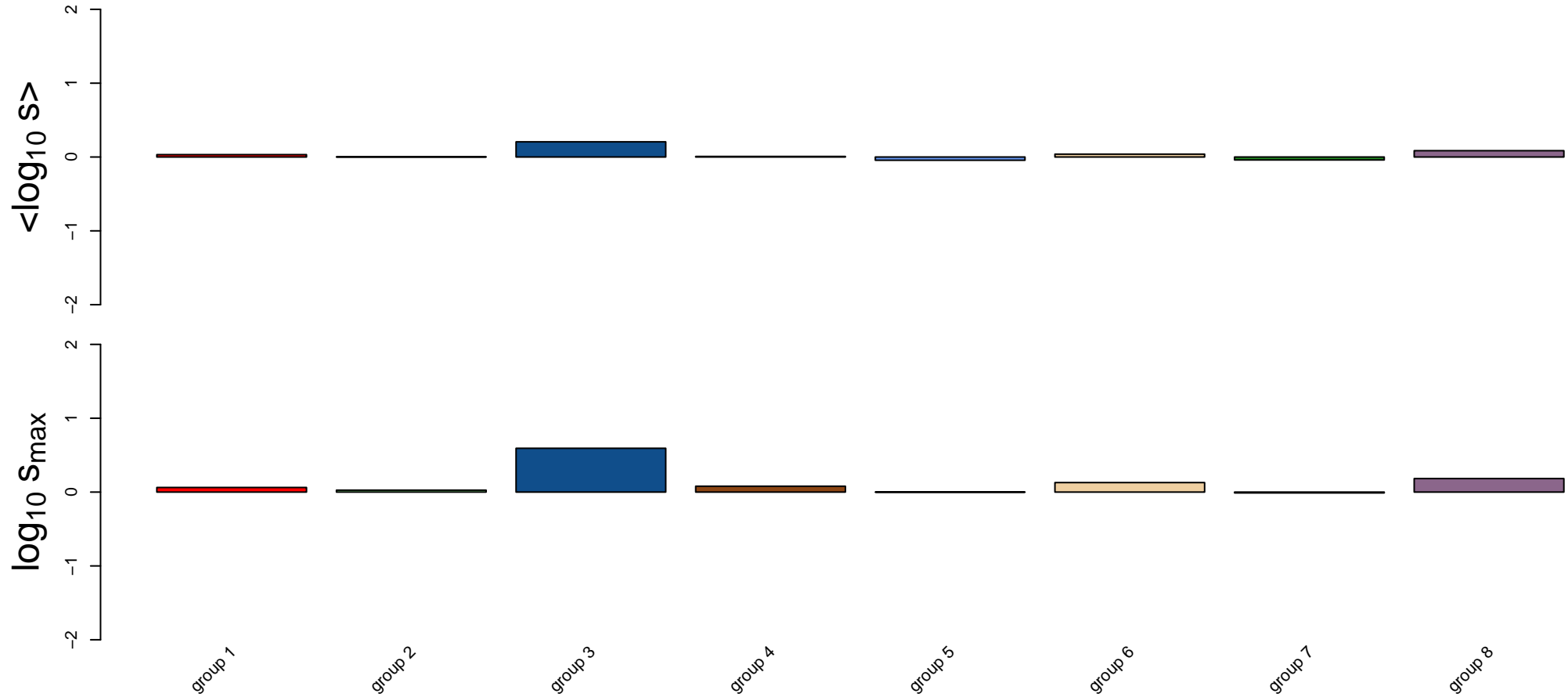
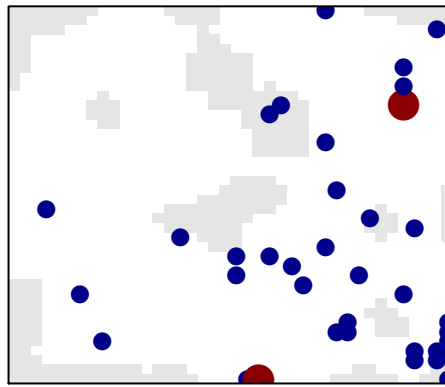
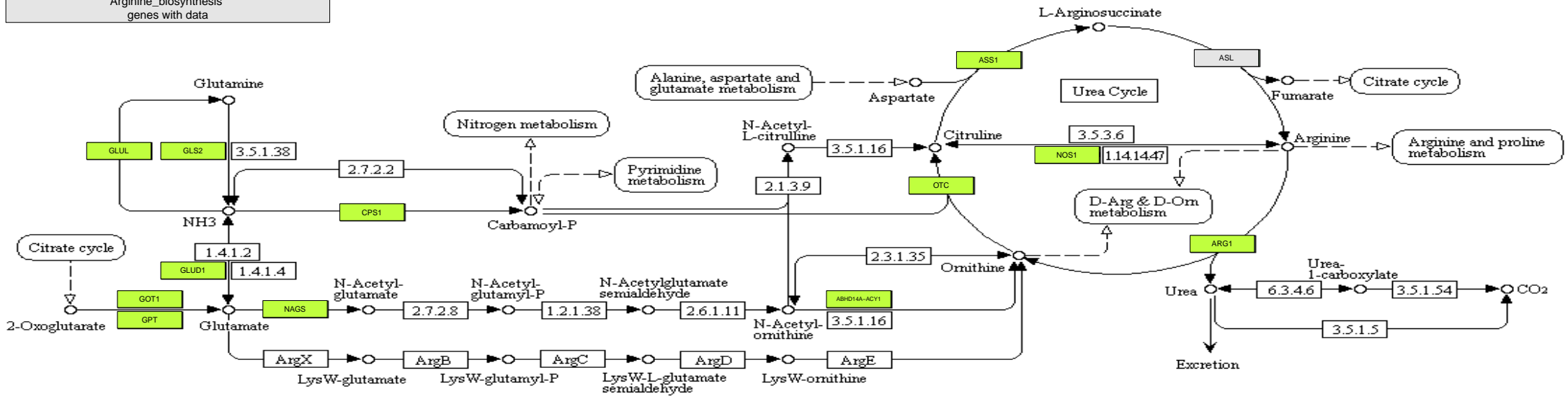


Arginine biosynthesis

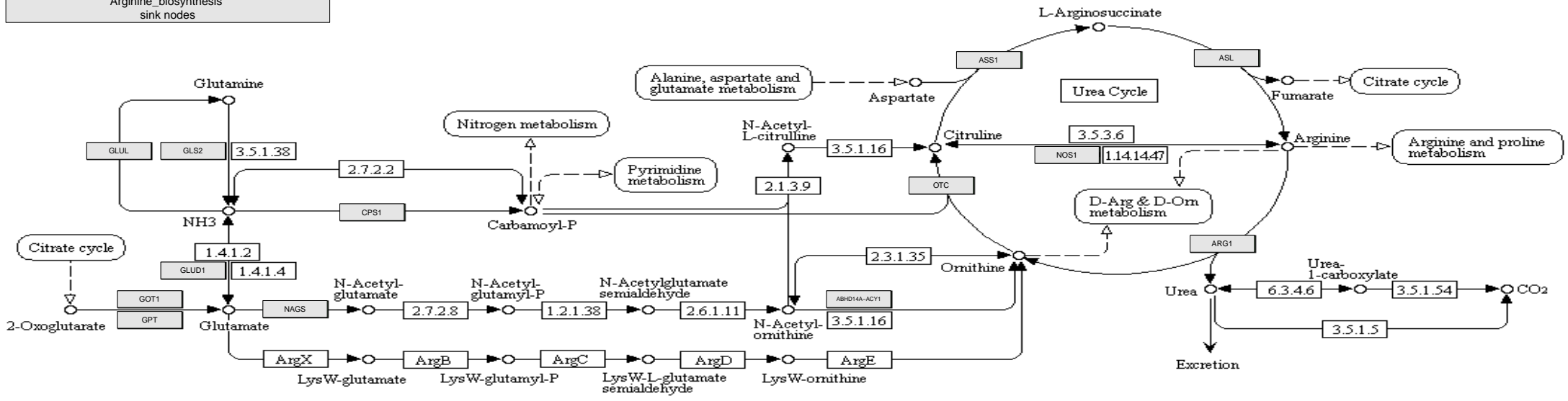
all genes



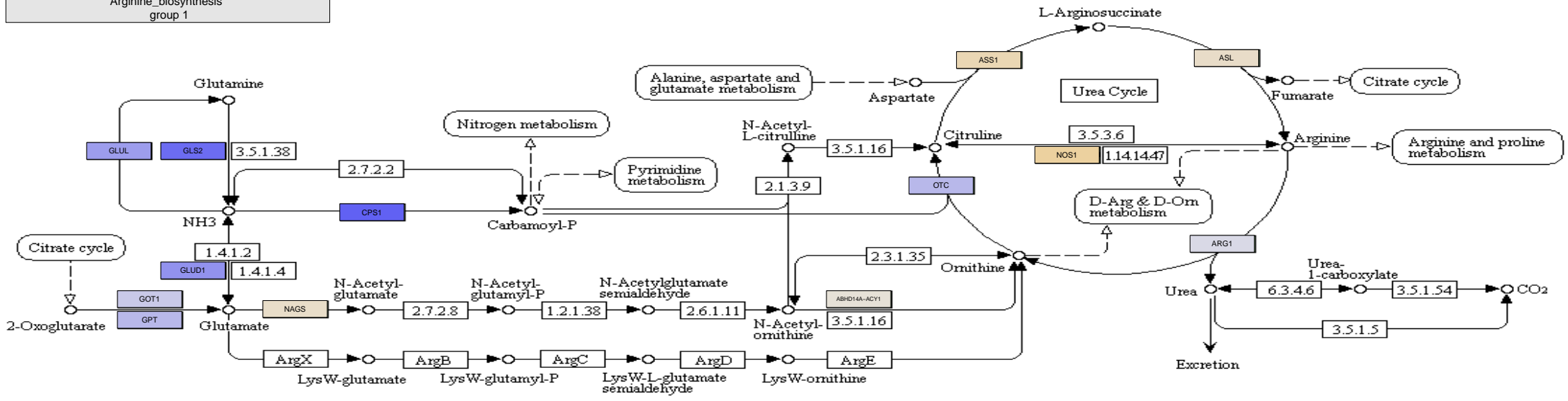
Arginine_biosynthesis genes with data



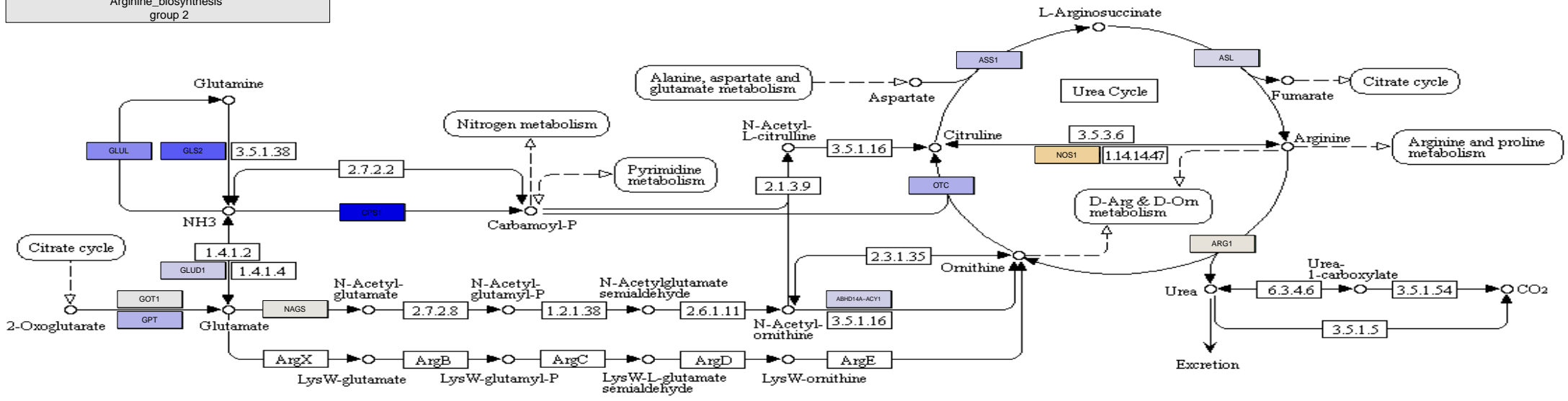
Arginine_biosynthesis
sink nodes



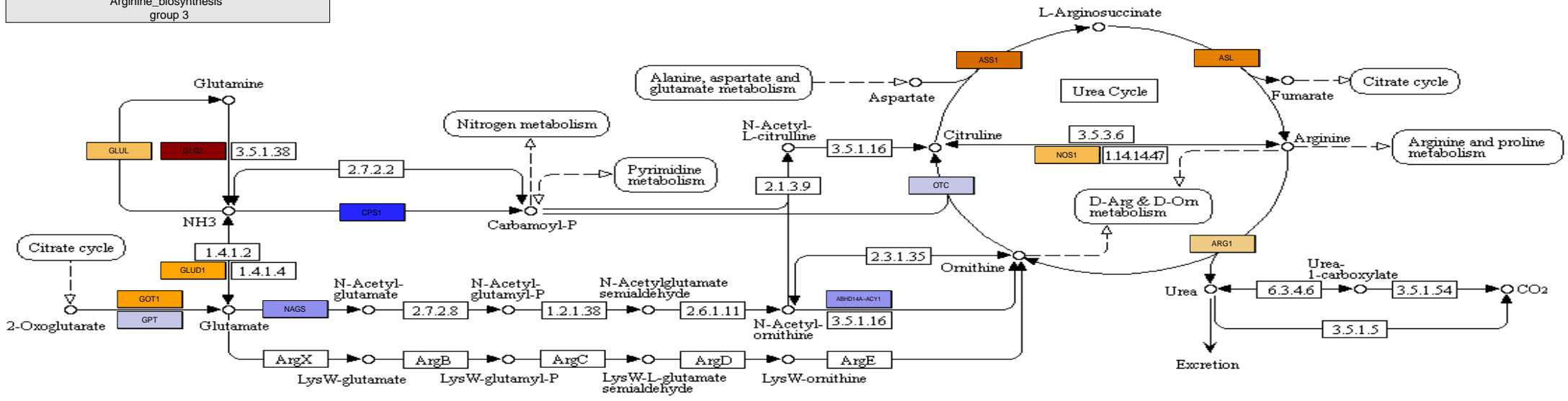
Arginine_biosynthesis group 1



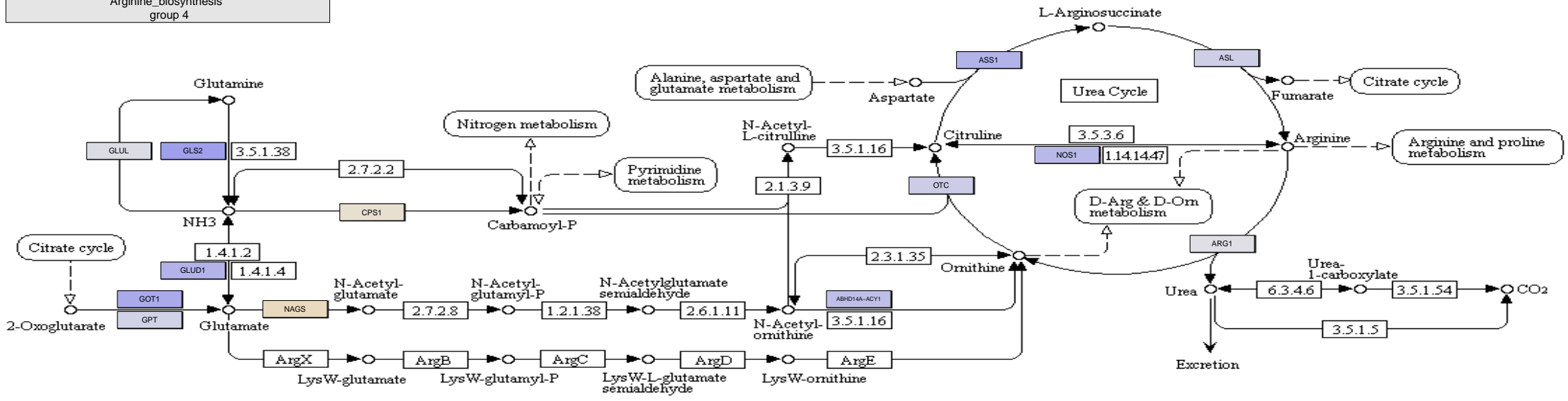
Arginine_biosynthesis group 2



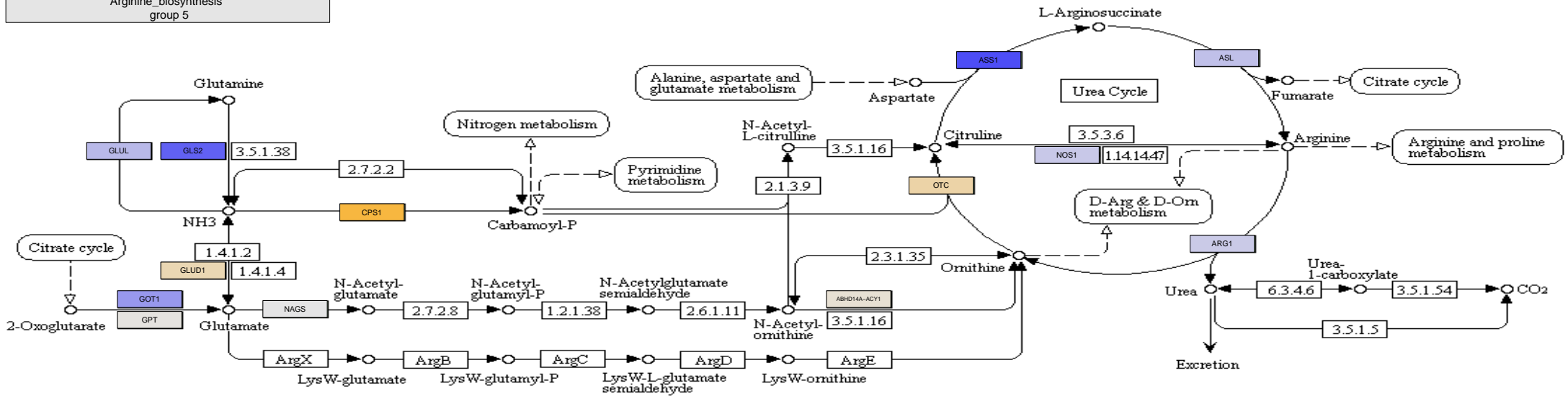
Arginine_biosynthesis group 3



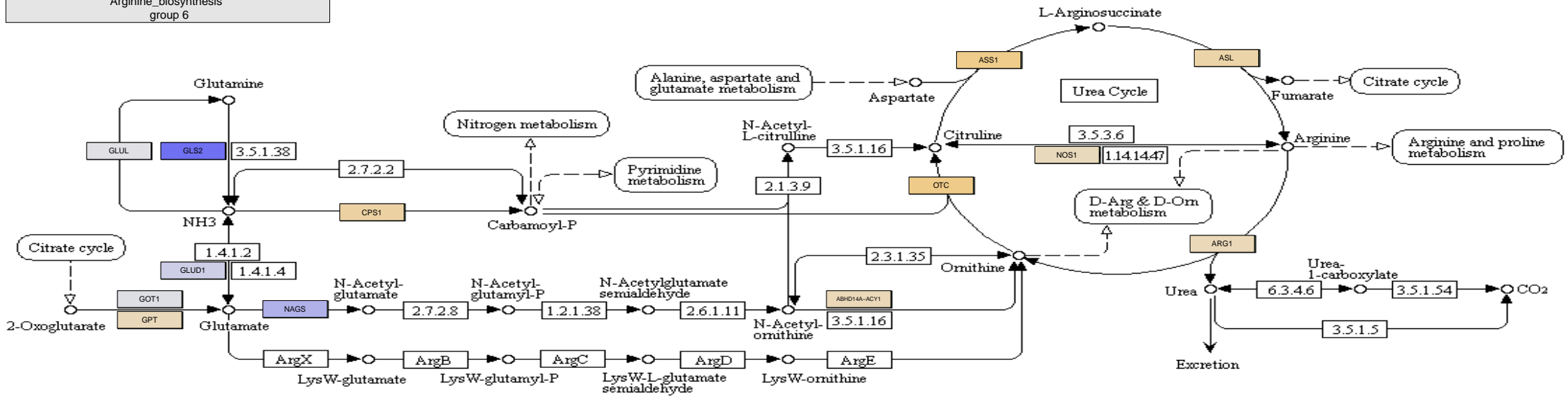
Arginine_biosynthesis group 4



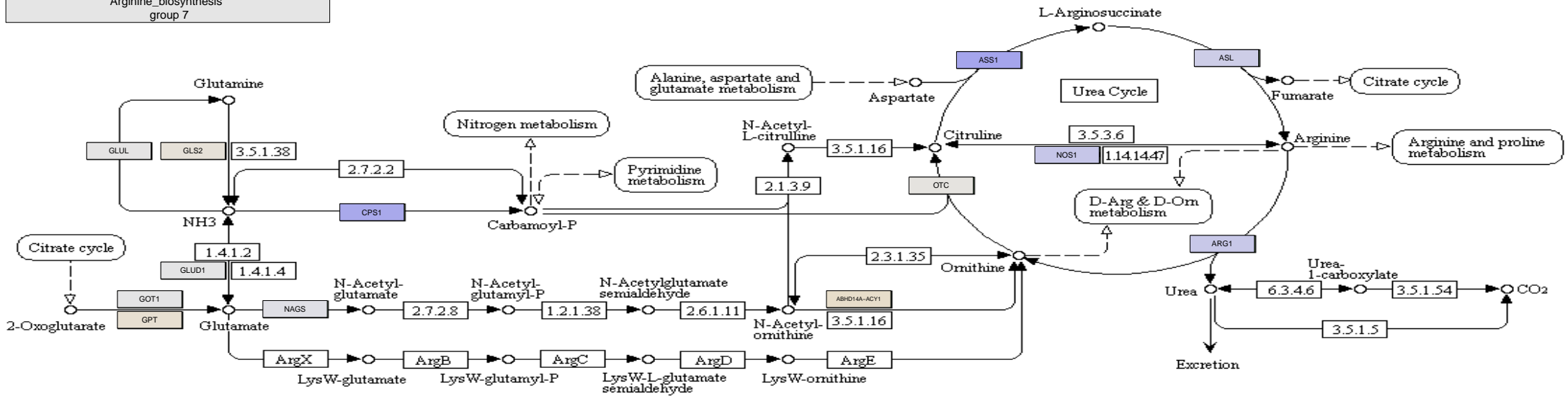
Arginine_biosynthesis group 5



Arginine_biosynthesis group 6



Arginine_biosynthesis group 7



Arginine_biosynthesis group 8

