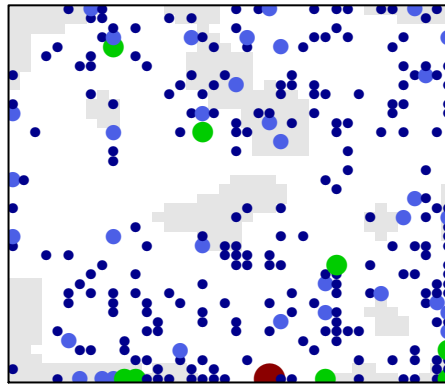
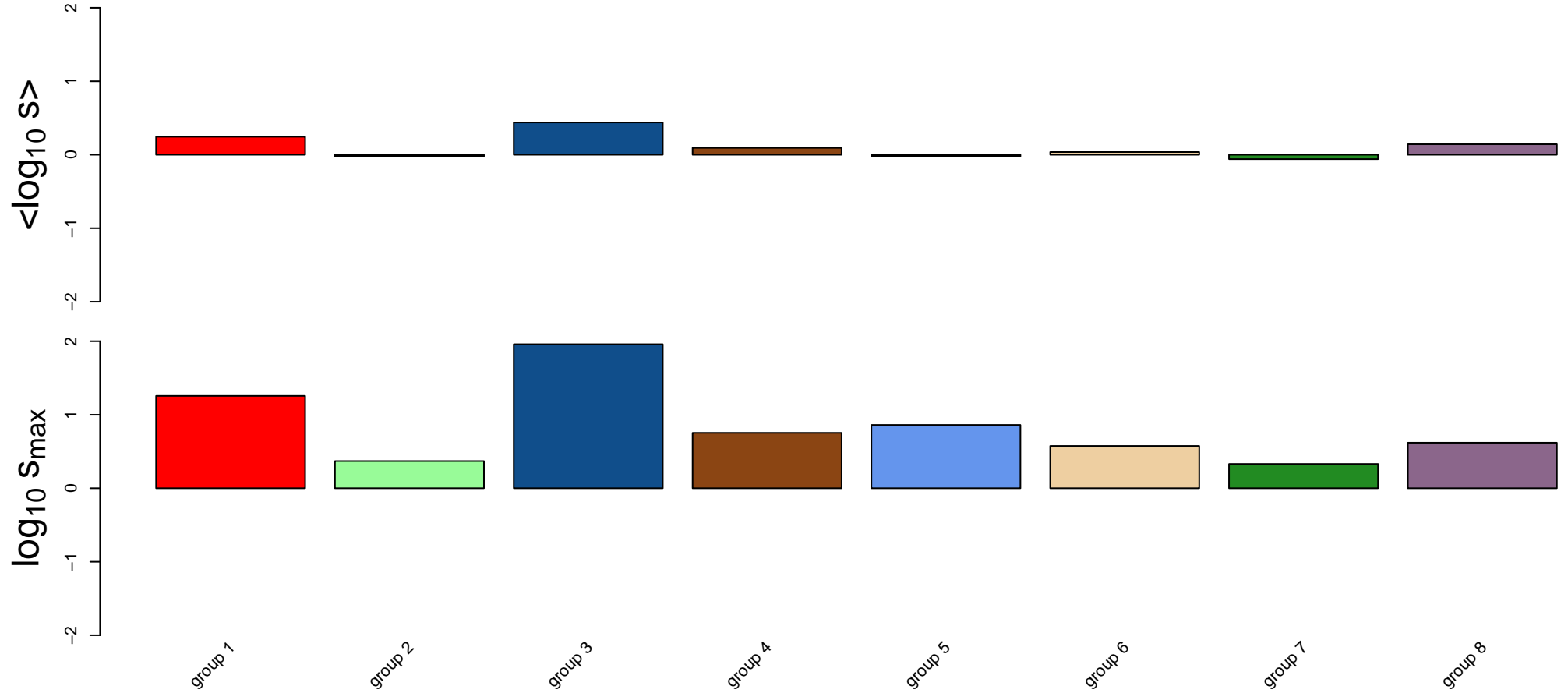
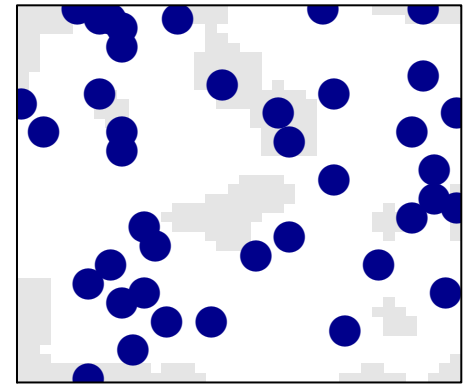


Apelin signaling pathway

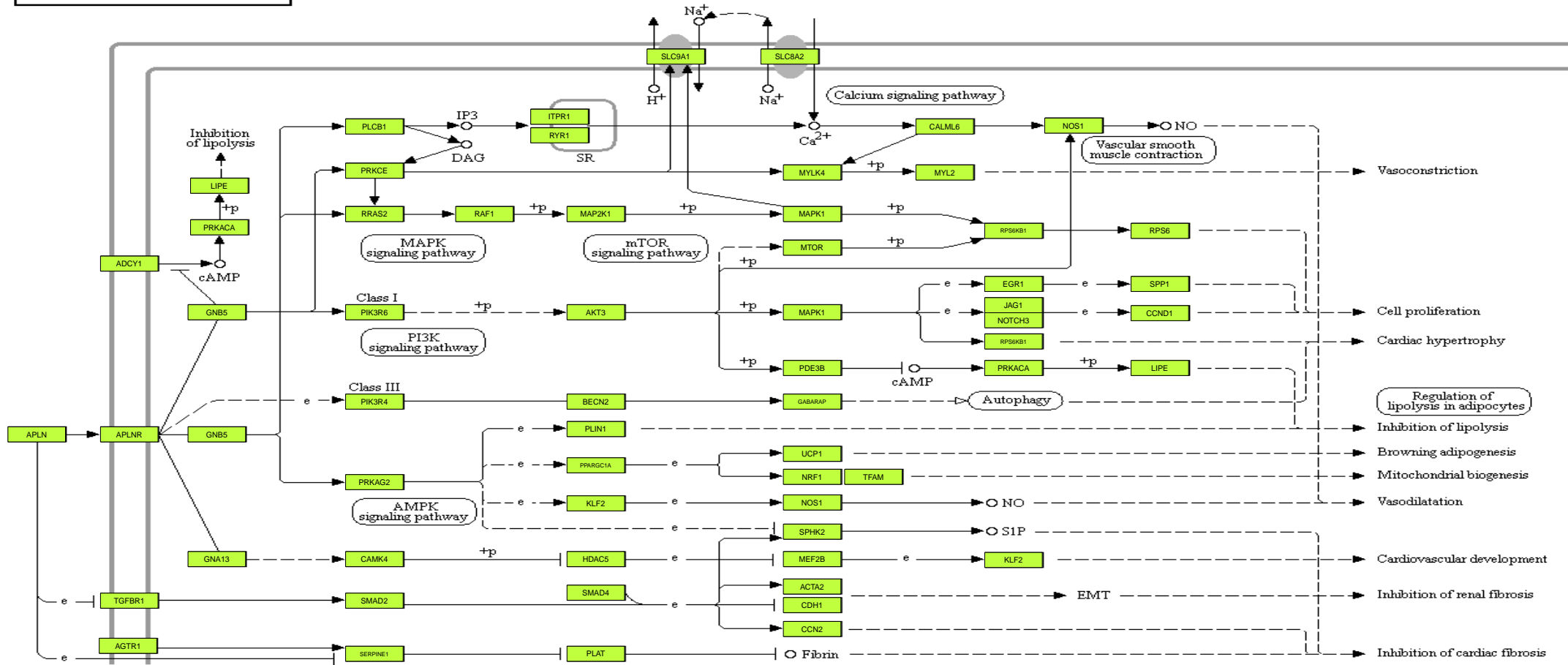
all genes



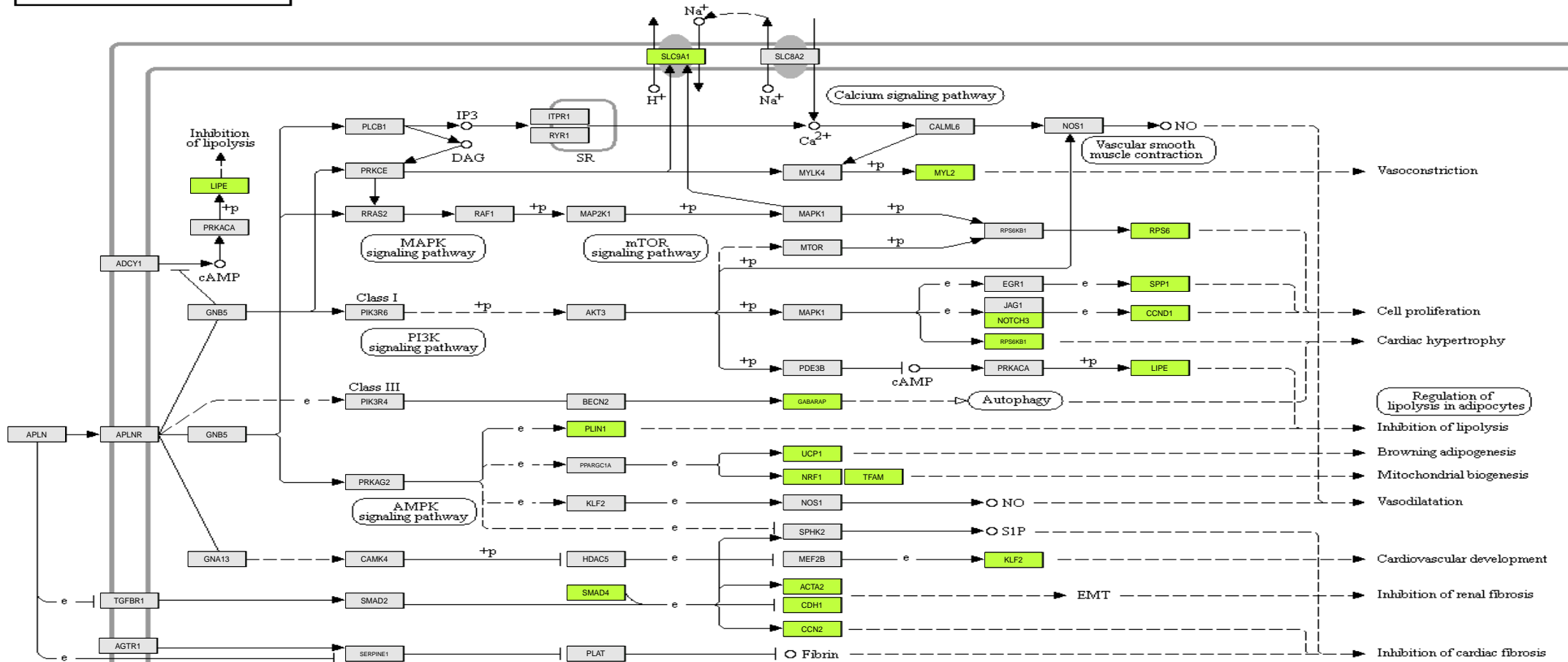
sink node genes



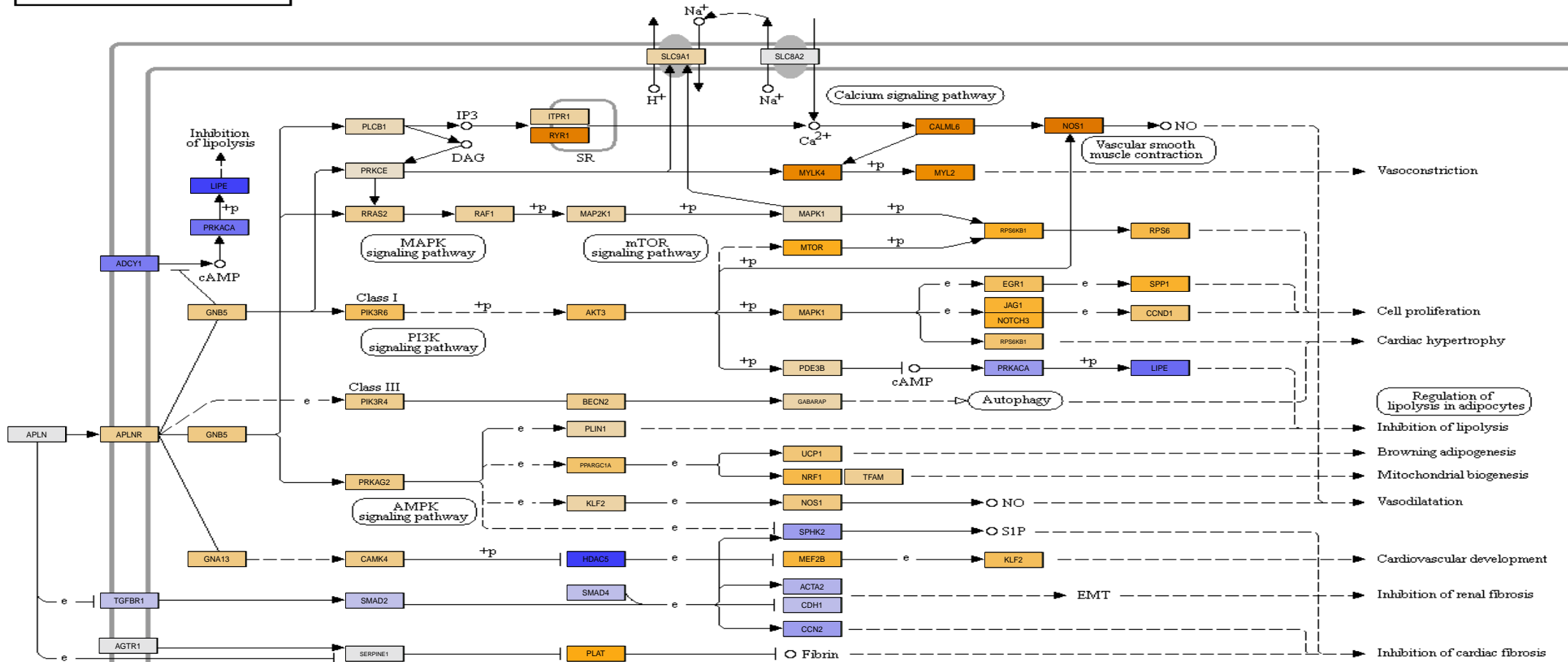
APELIN SIGNALING PATHWAY



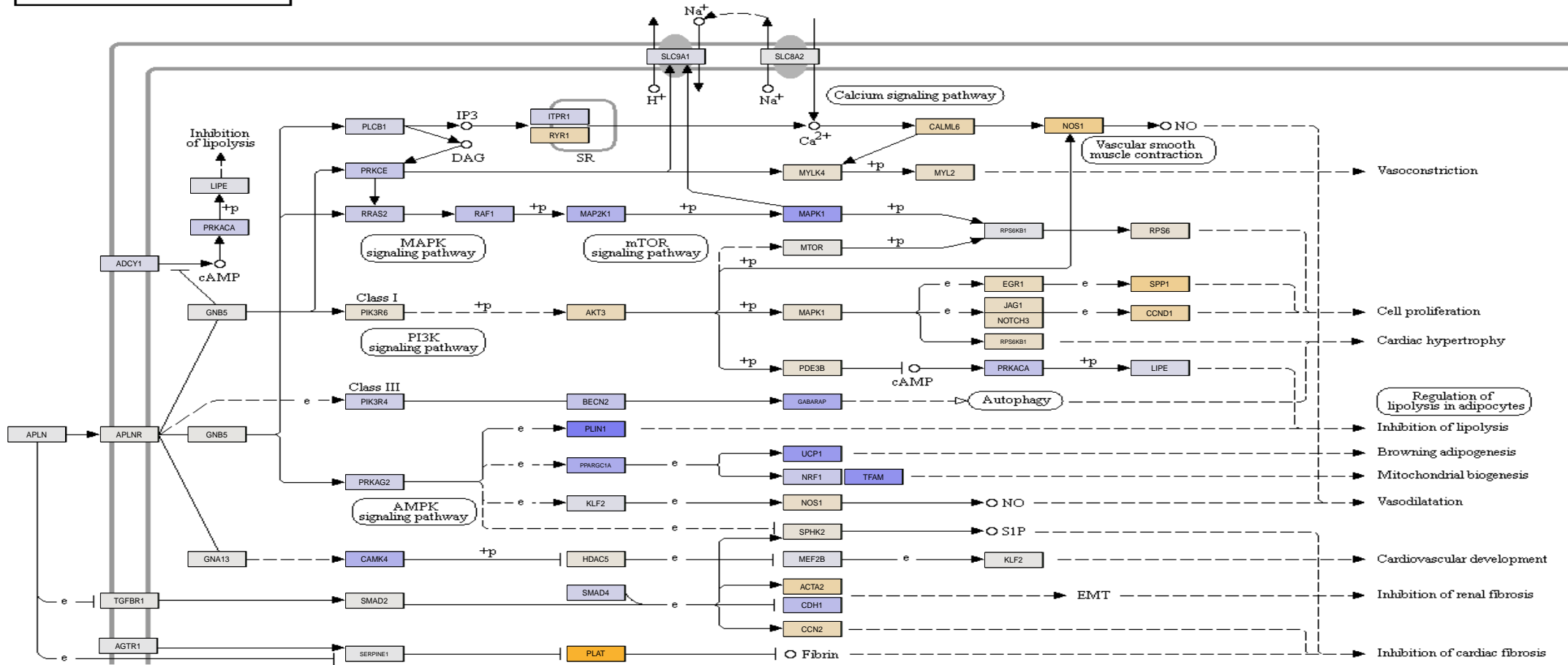
APELIN SIGNALING PATHWAY



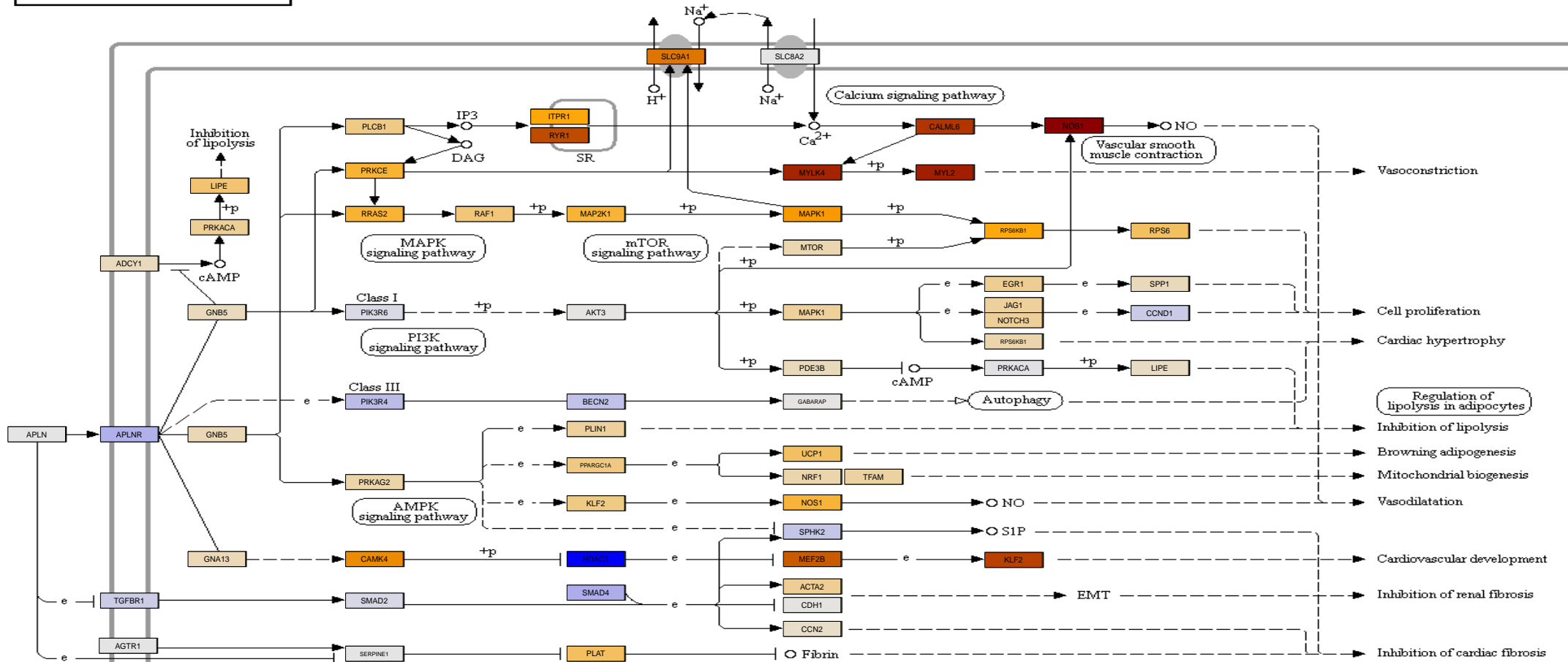
APELIN SIGNALING PATHWAY



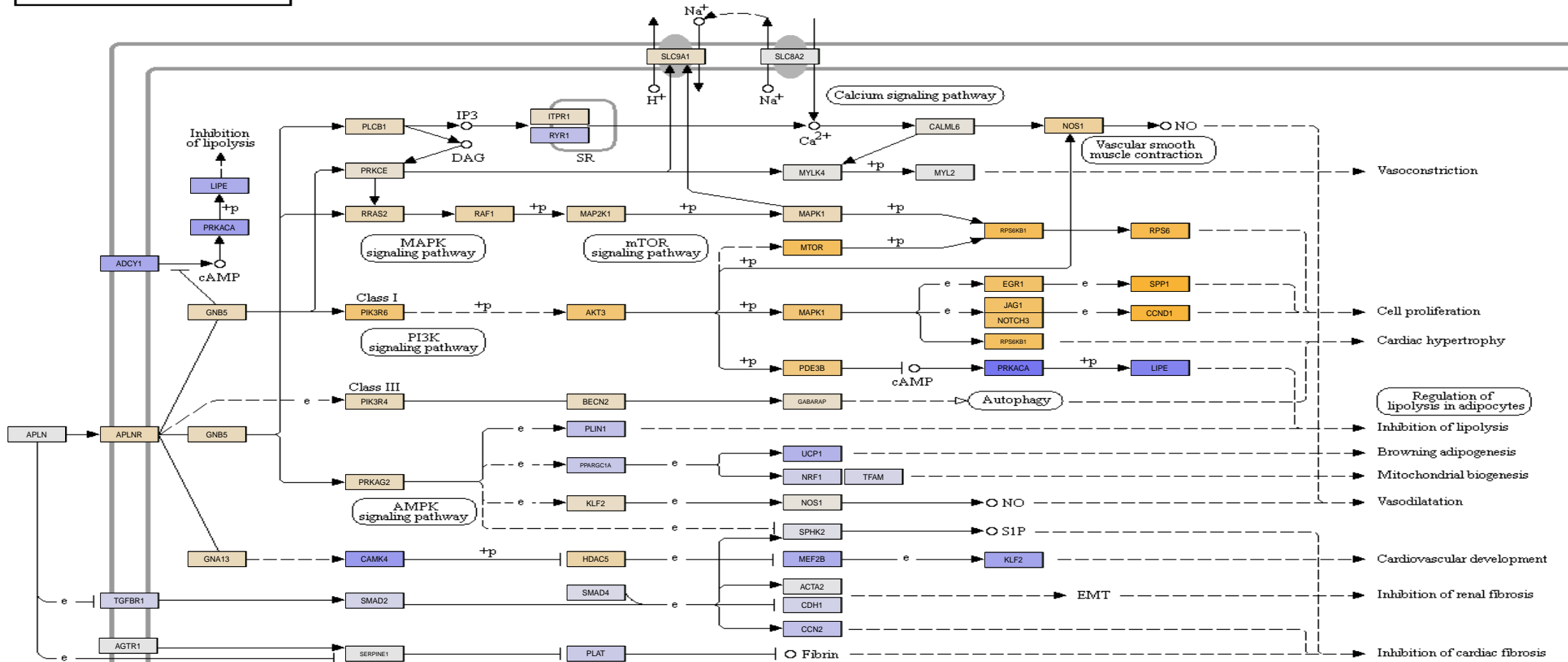
APELIN SIGNALING PATHWAY



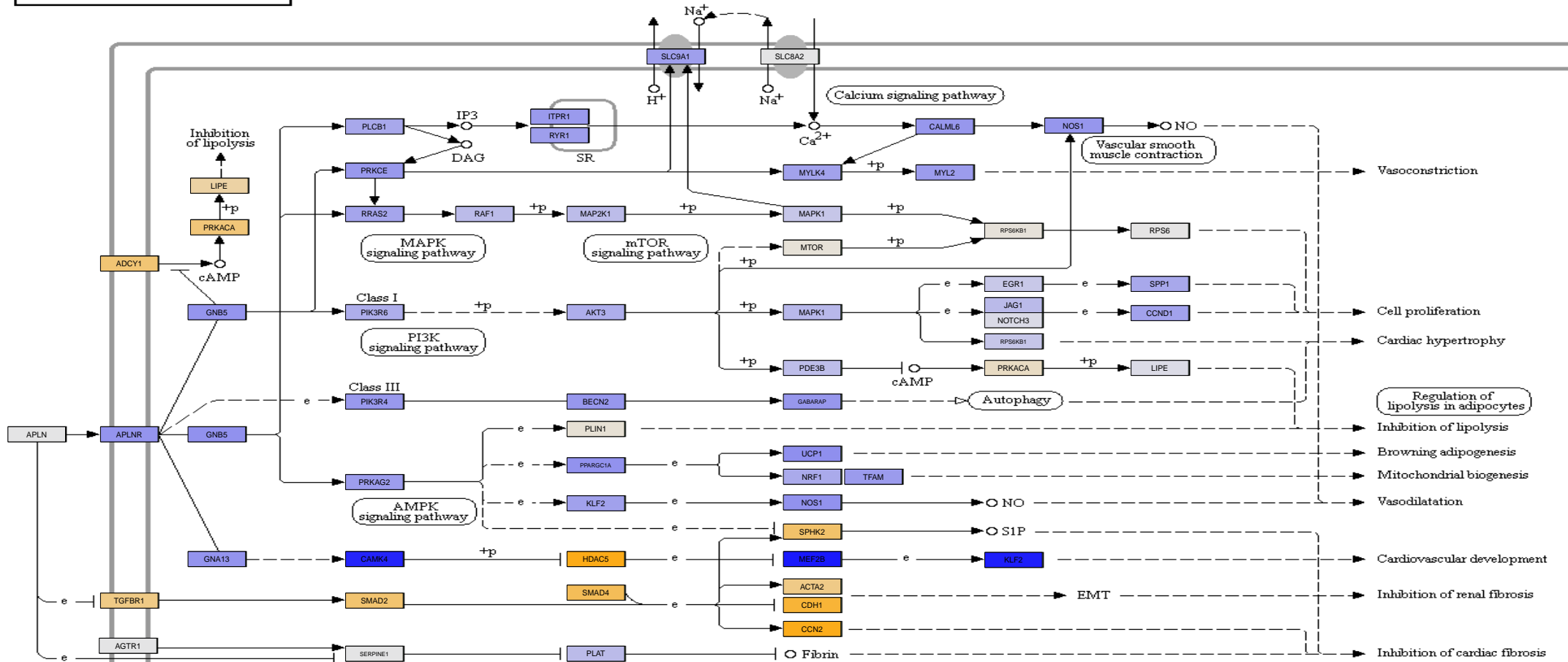
APELIN SIGNALING PATHWAY



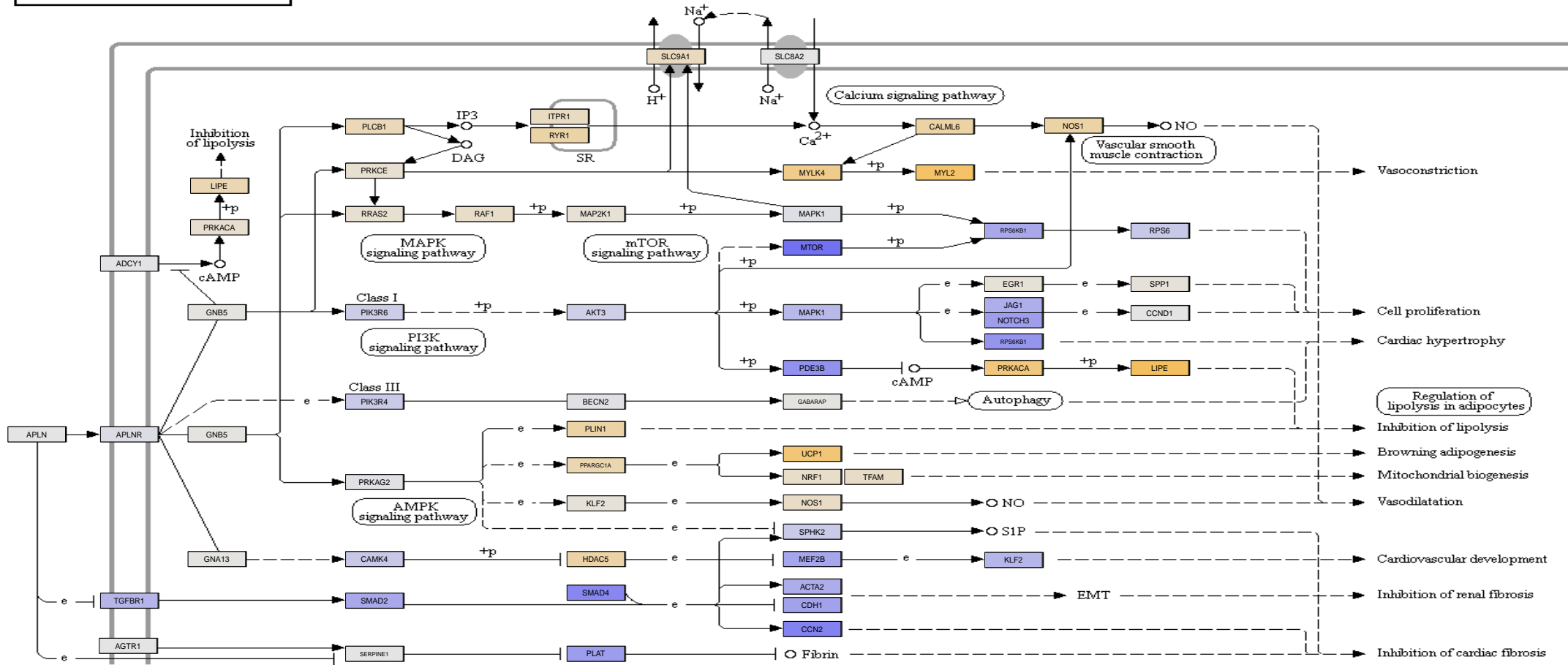
APELIN SIGNALING PATHWAY



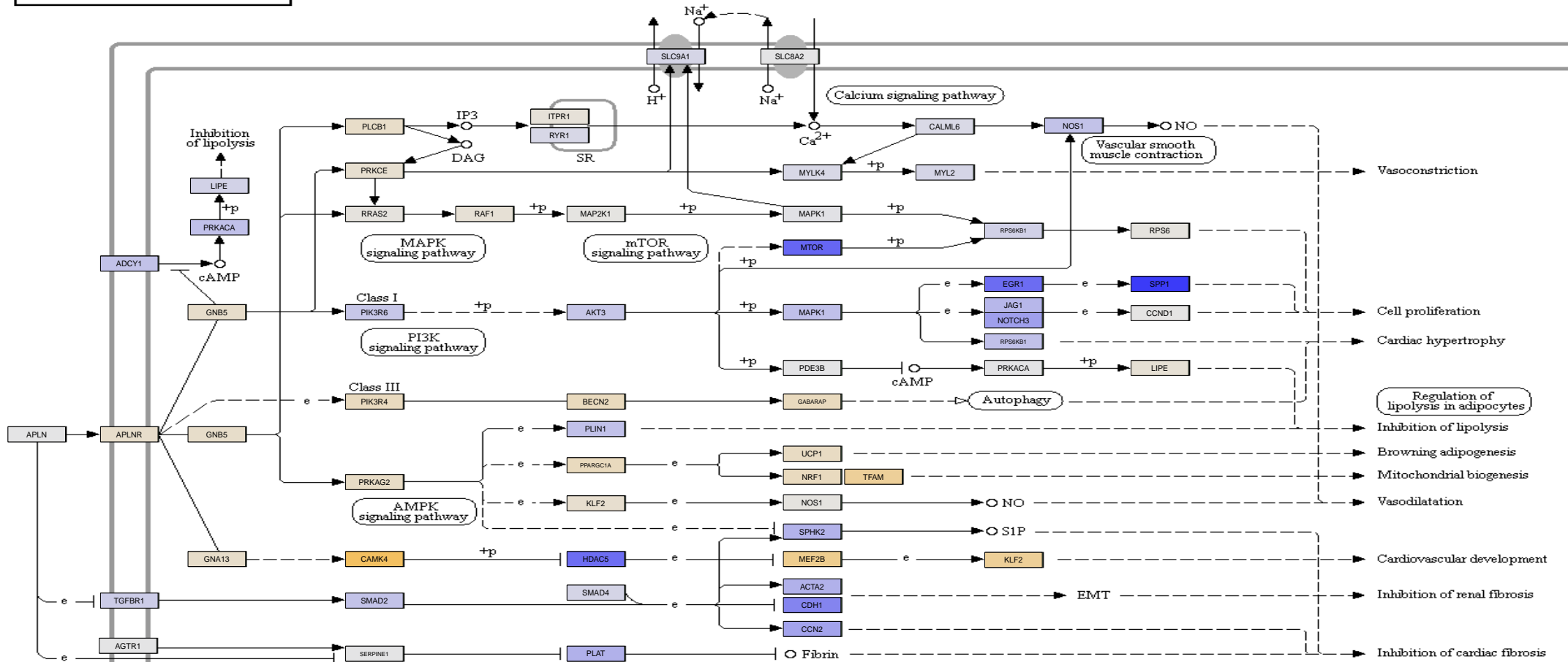
APELIN SIGNALING PATHWAY



APELIN SIGNALING PATHWAY



APELIN SIGNALING PATHWAY



APELIN SIGNALING PATHWAY

