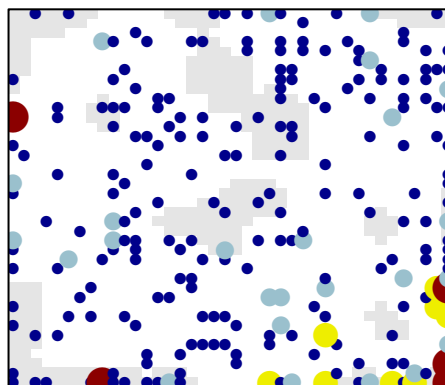


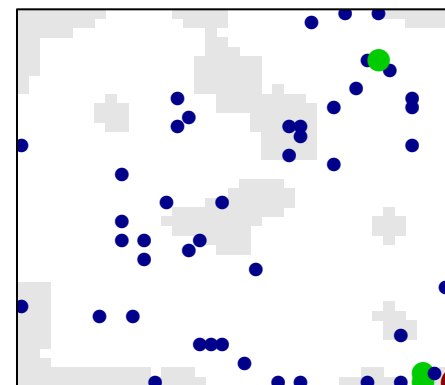
Alcoholism

all genes

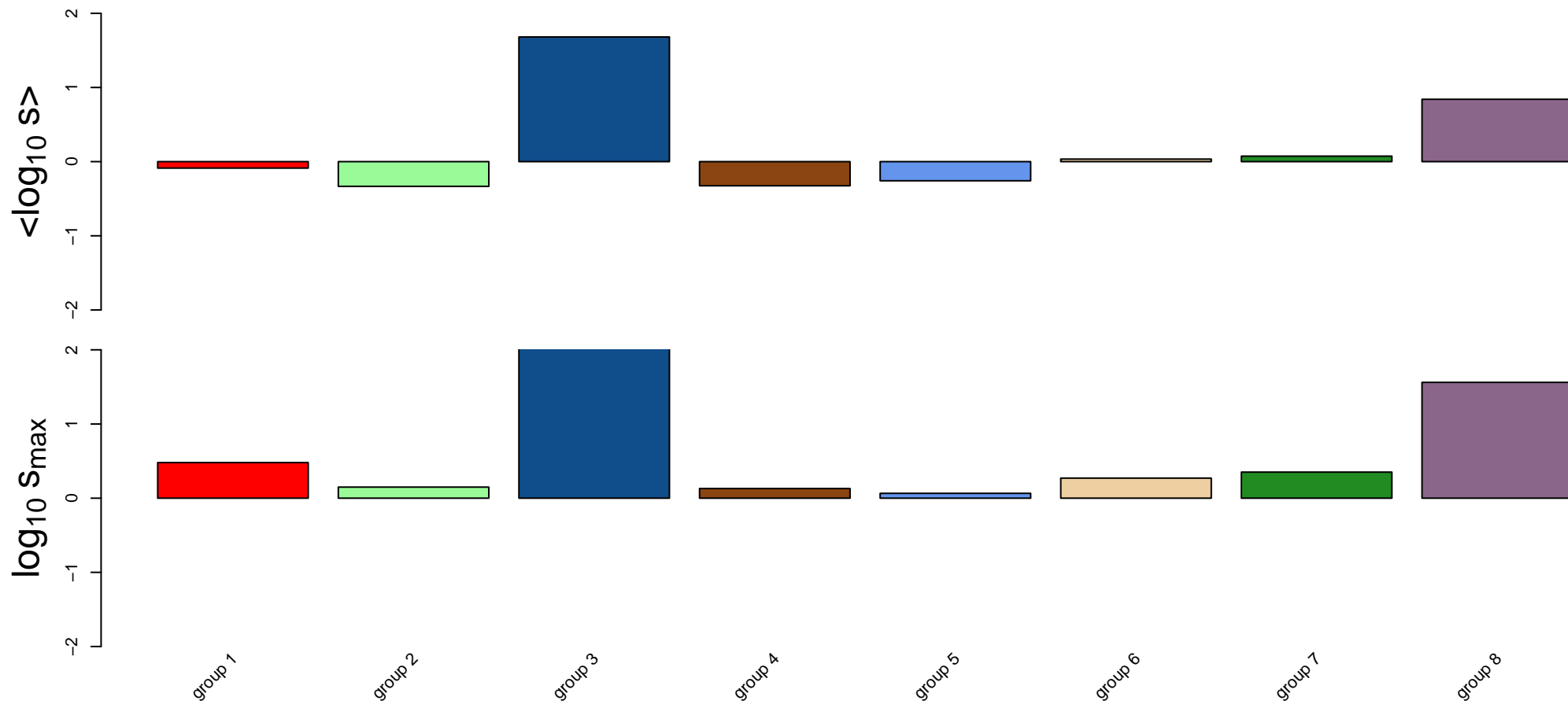


maximum = 4

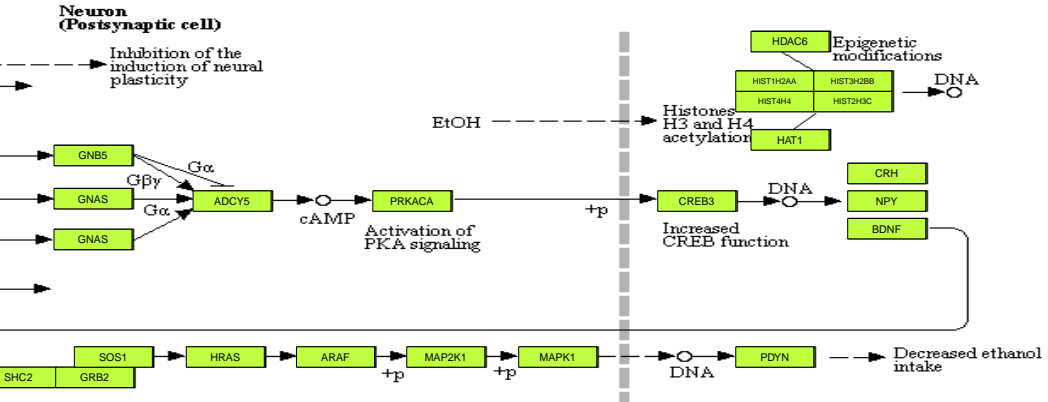
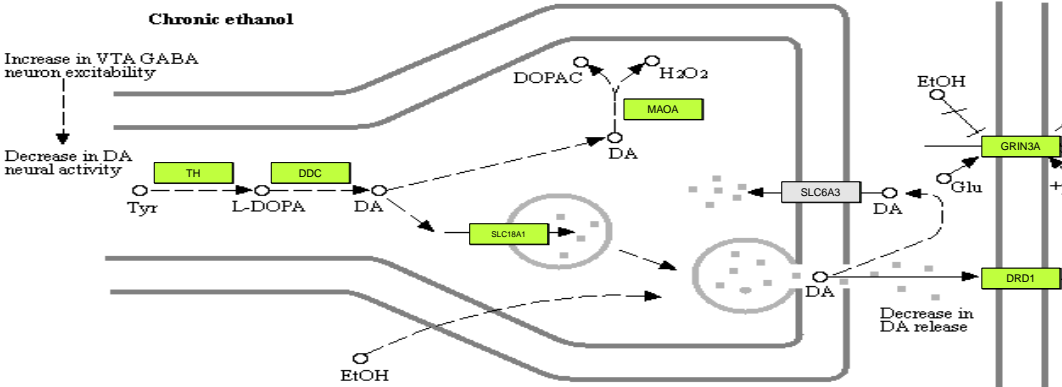
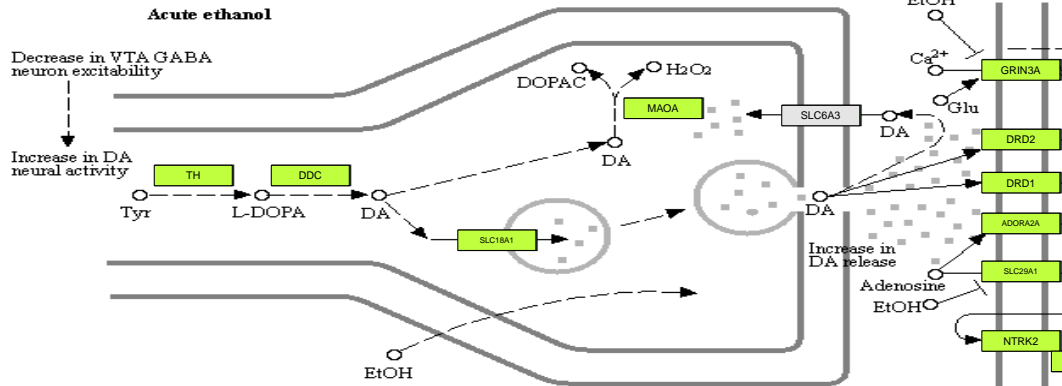
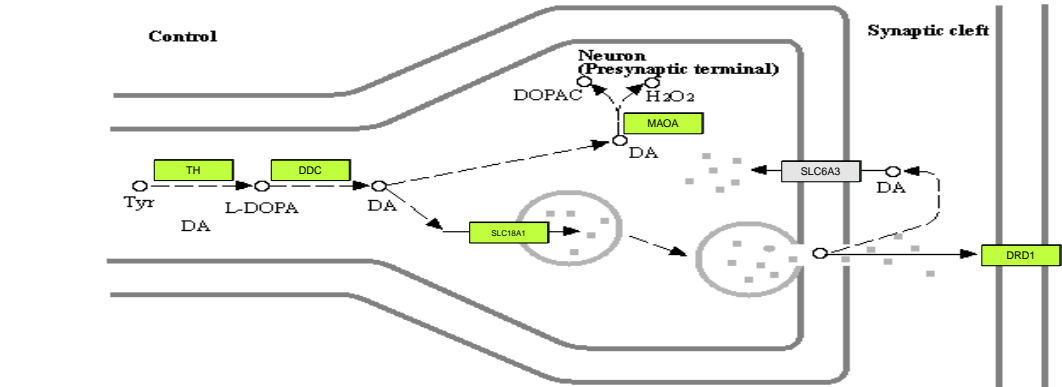
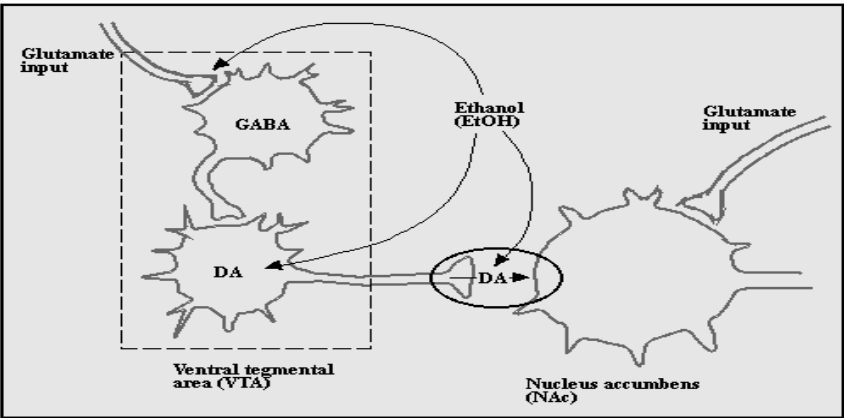
sink node genes



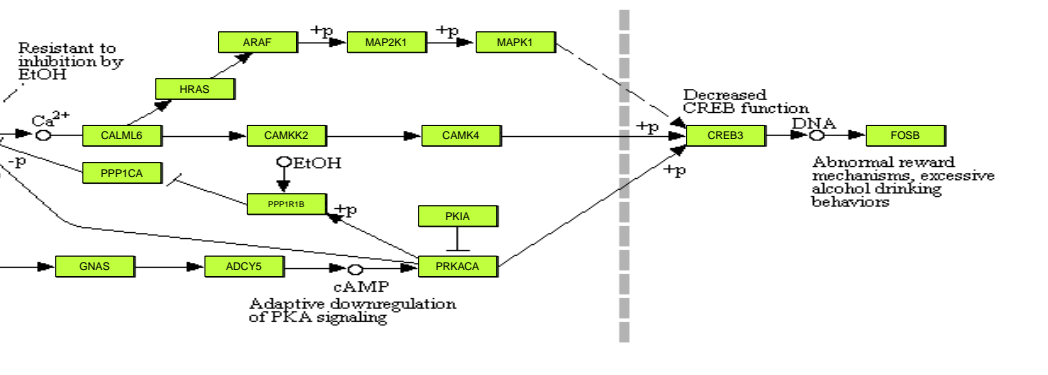
maximum = 3



Dopaminergic synapse

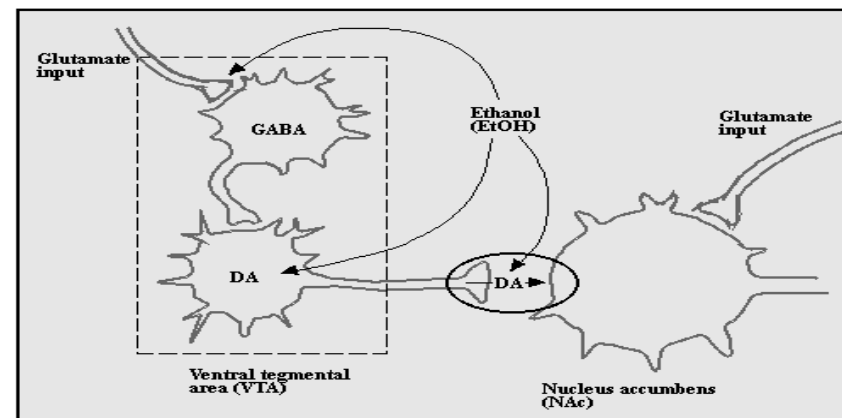


MAPK signaling pathway

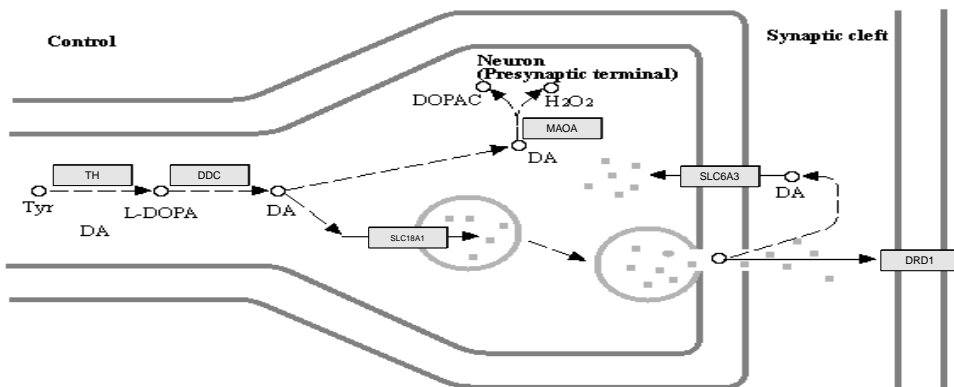


Alcoholism
sink nodes

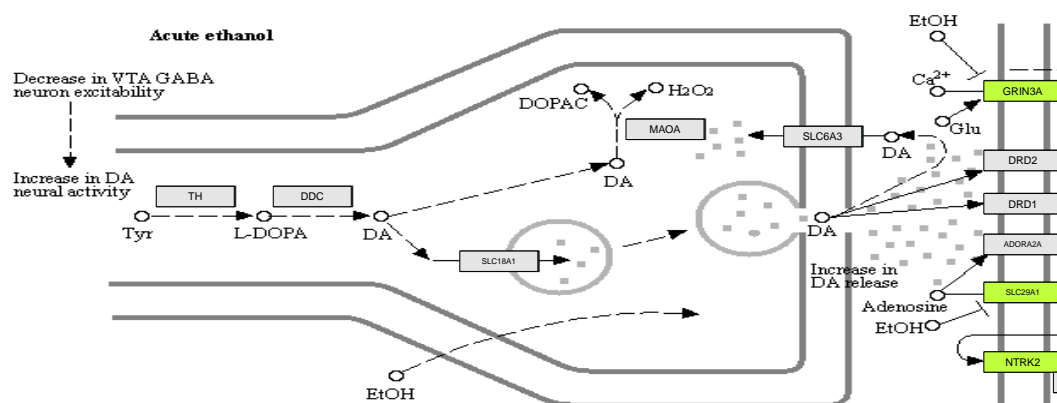
Dopaminergic
synapse



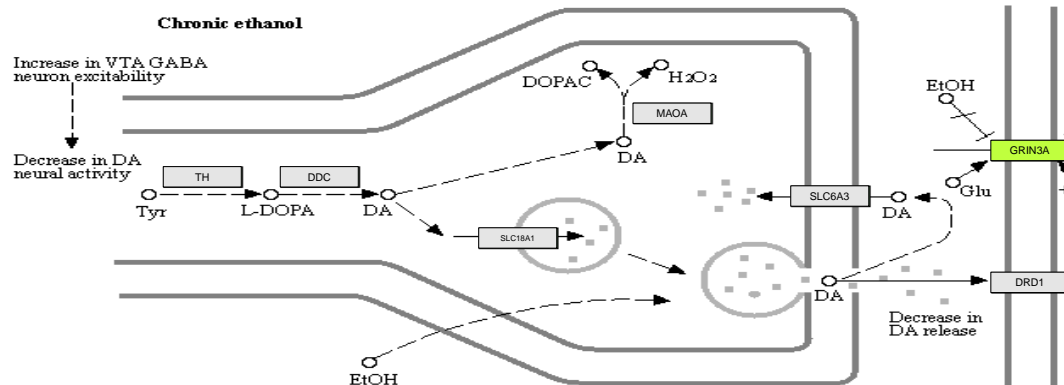
Control



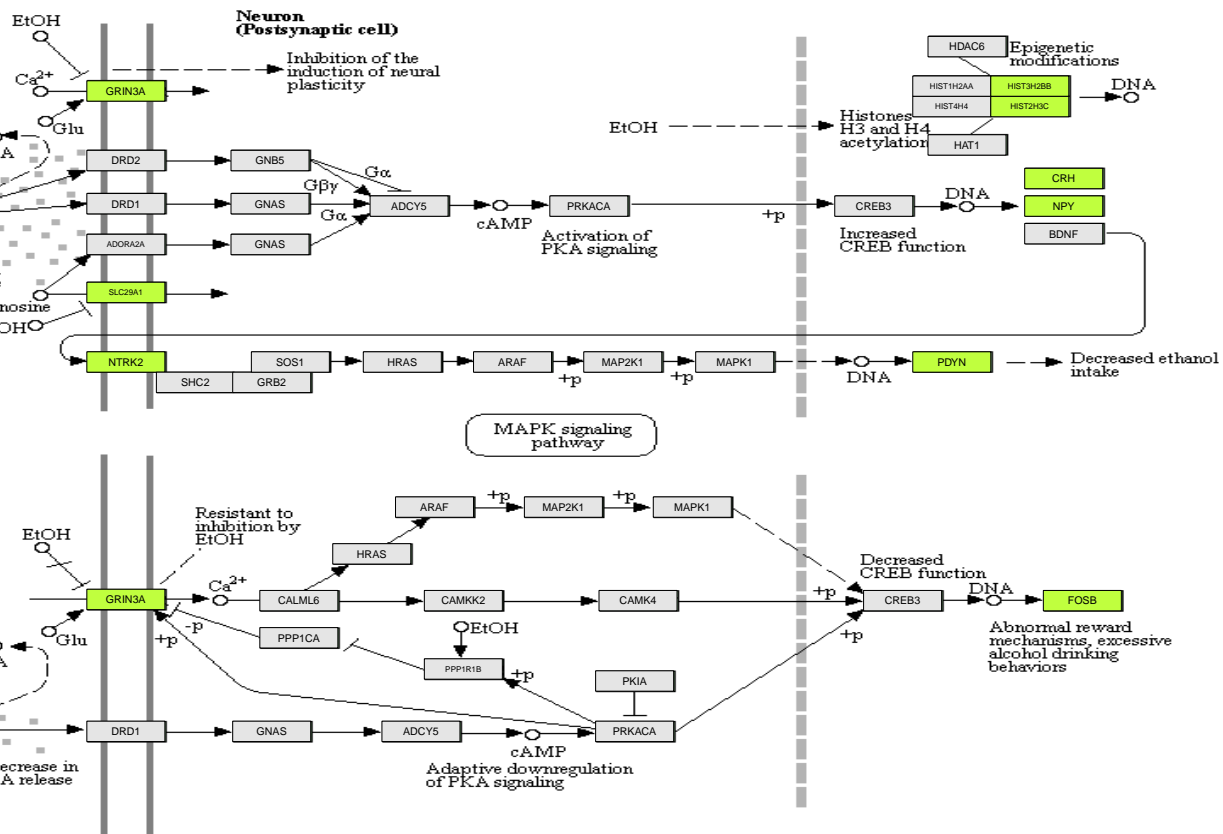
Acute ethanol



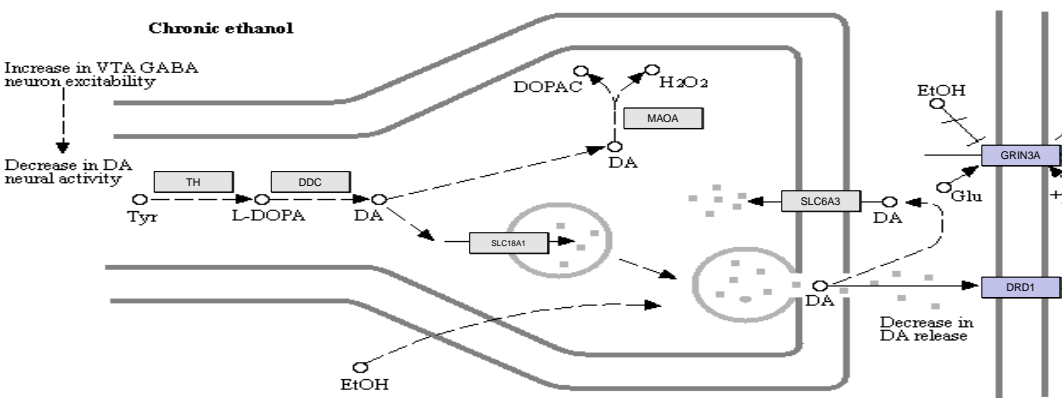
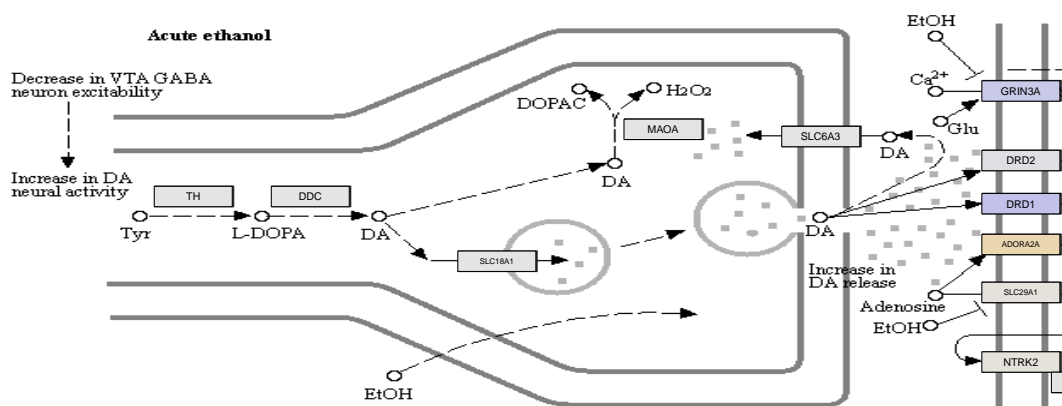
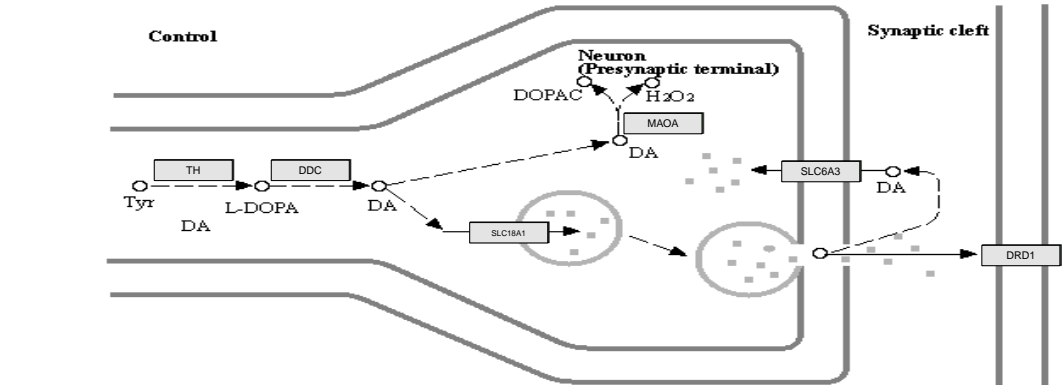
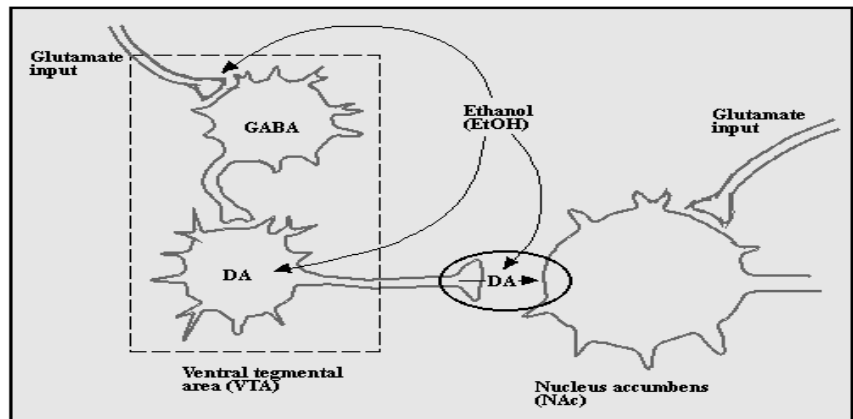
Chronic ethanol



Neuron
(Postsynaptic cell)

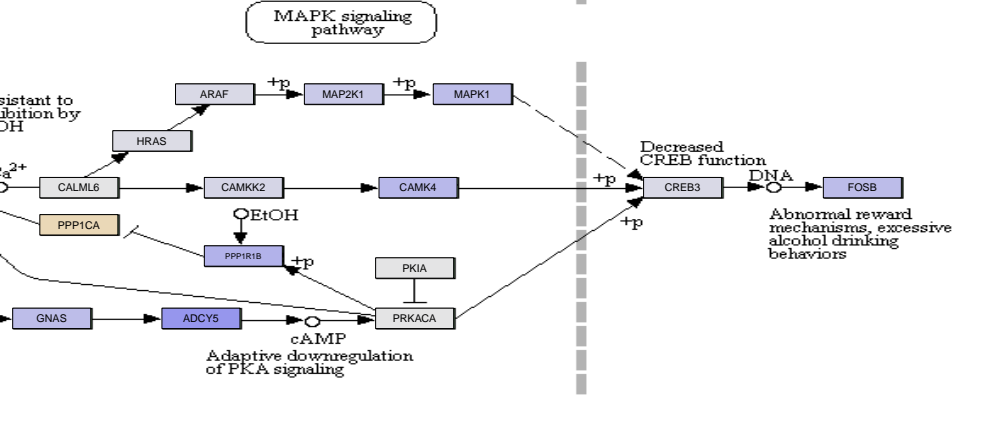
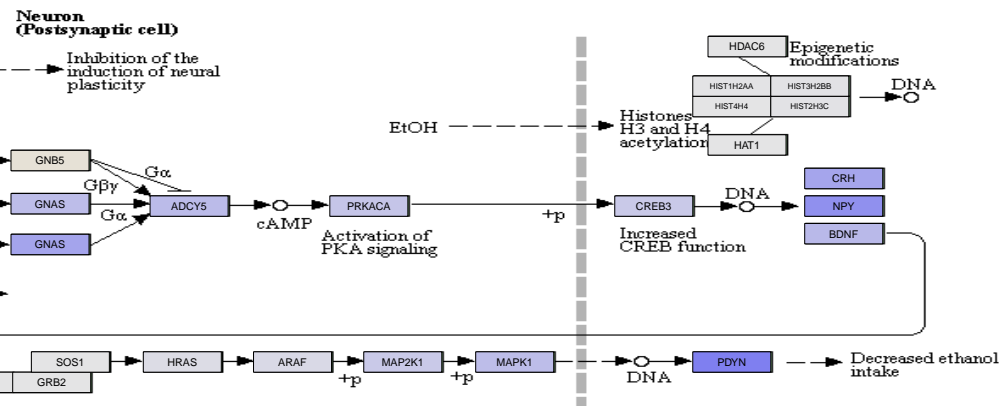
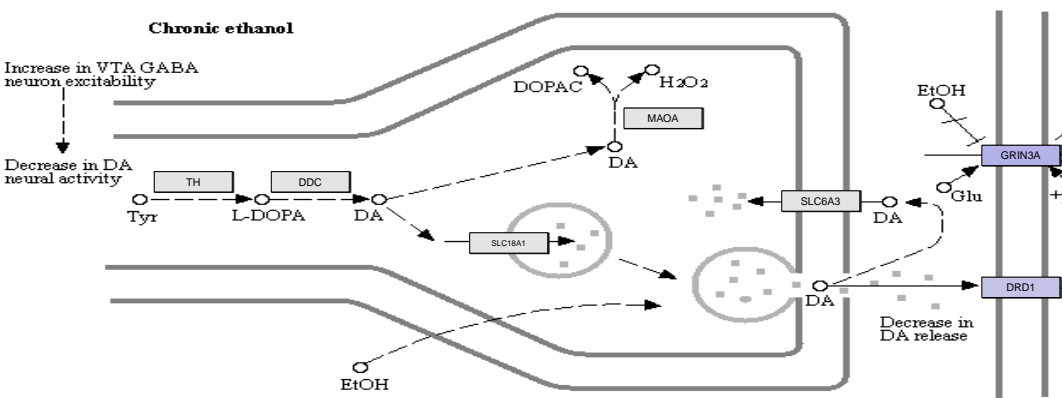
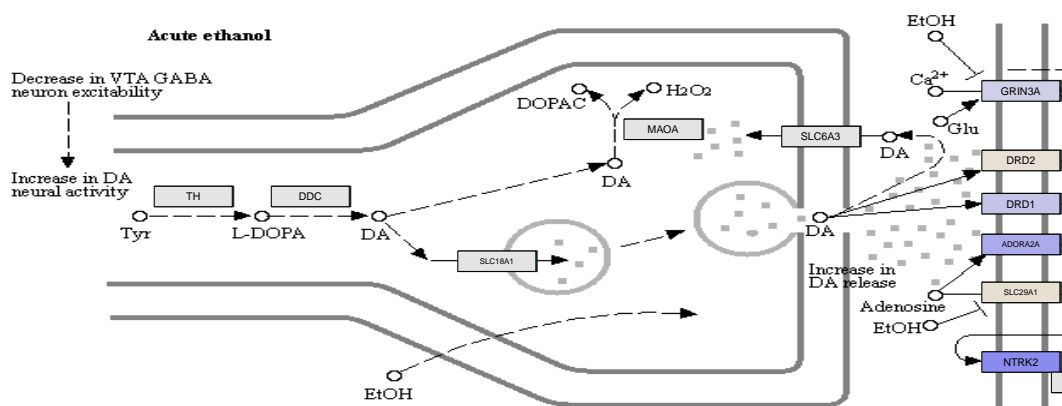
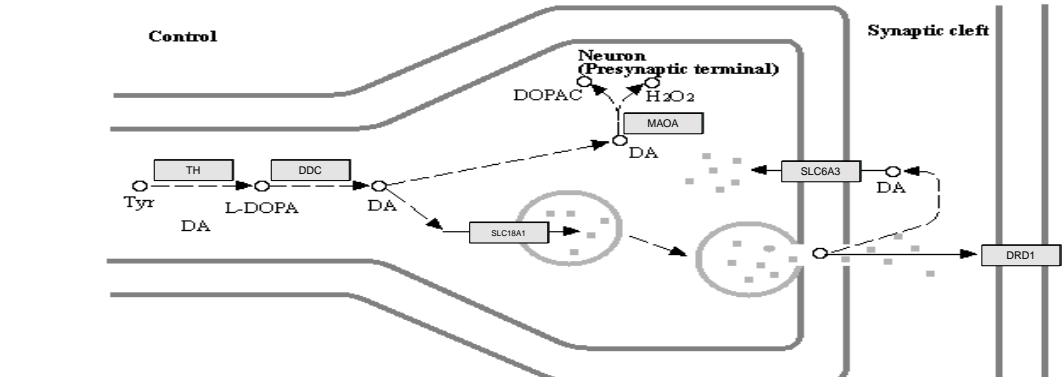
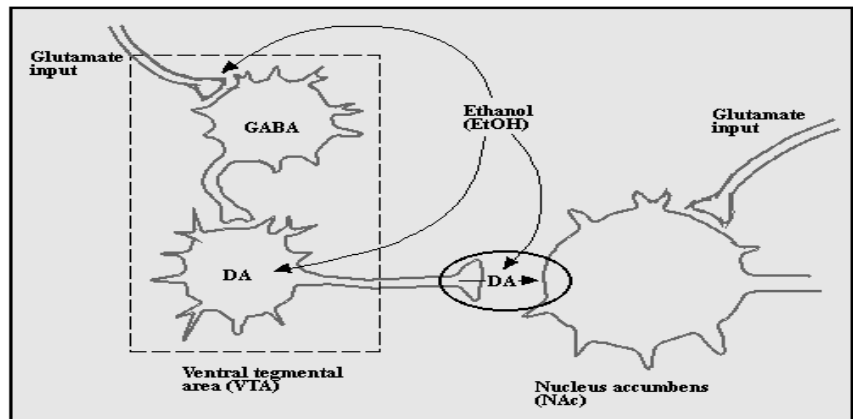


Dopaminergic synapse

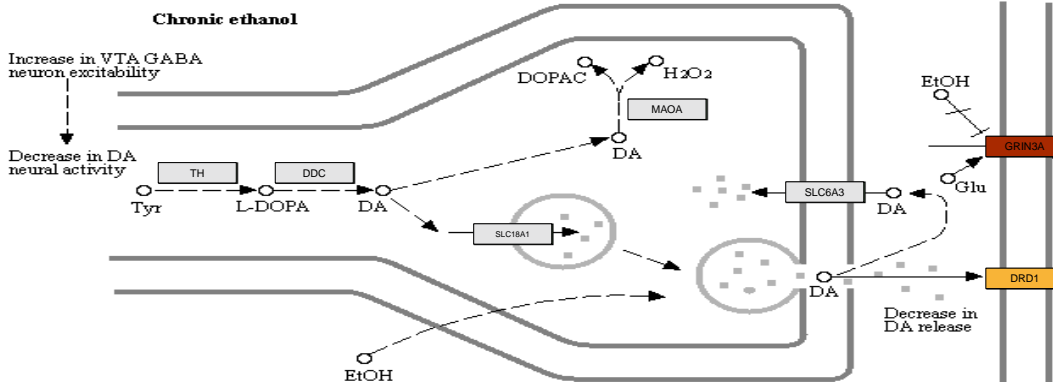
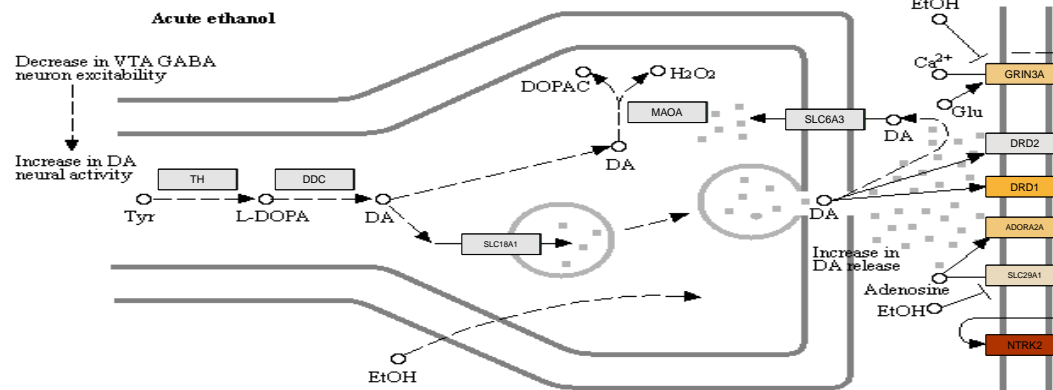
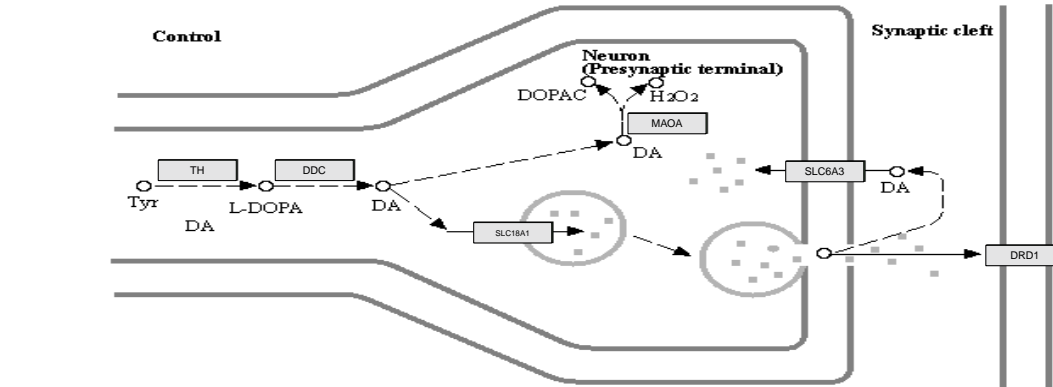
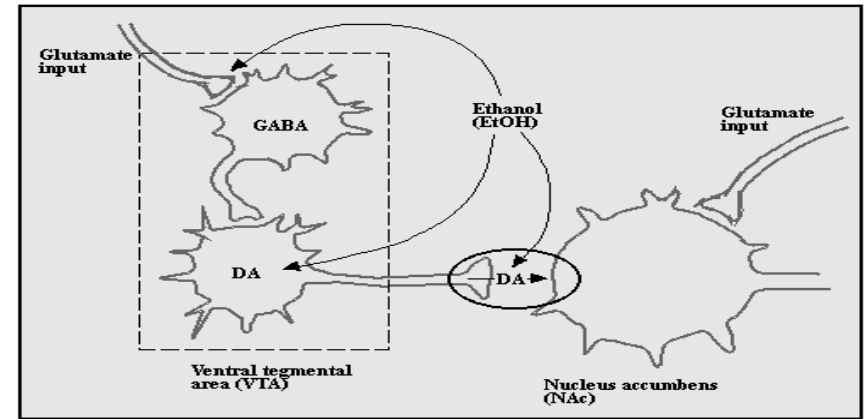


MAPK signaling pathway

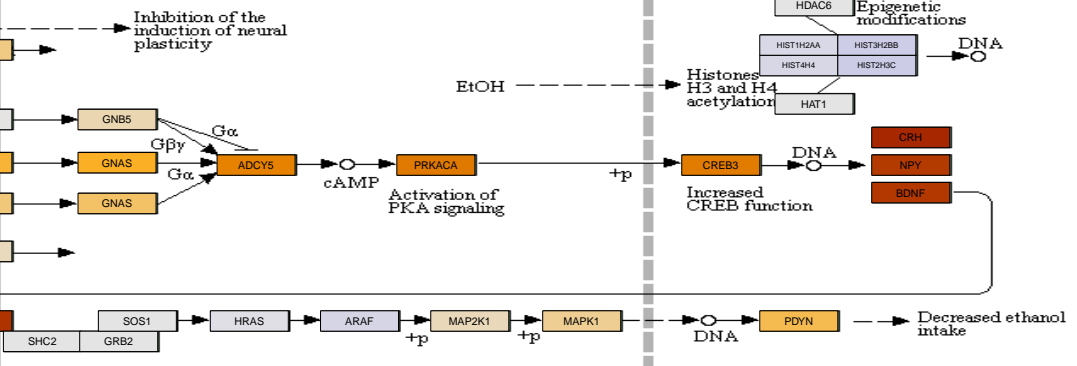
Dopaminergic synapse



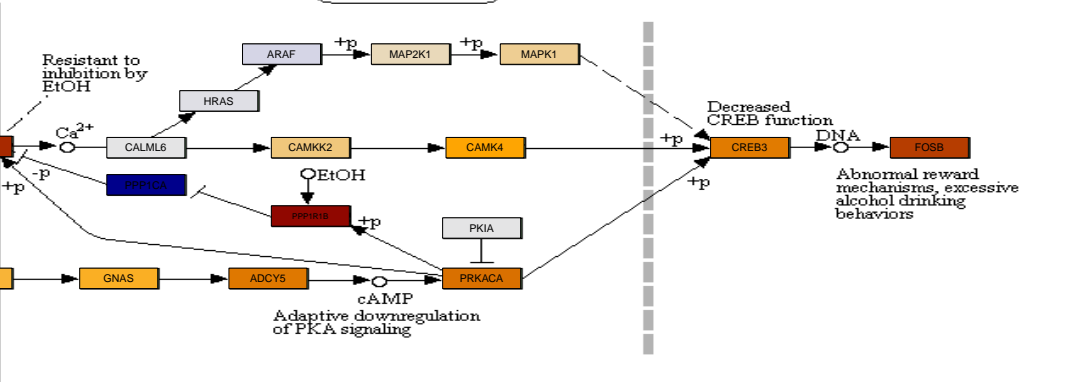
Dopaminergic synapse



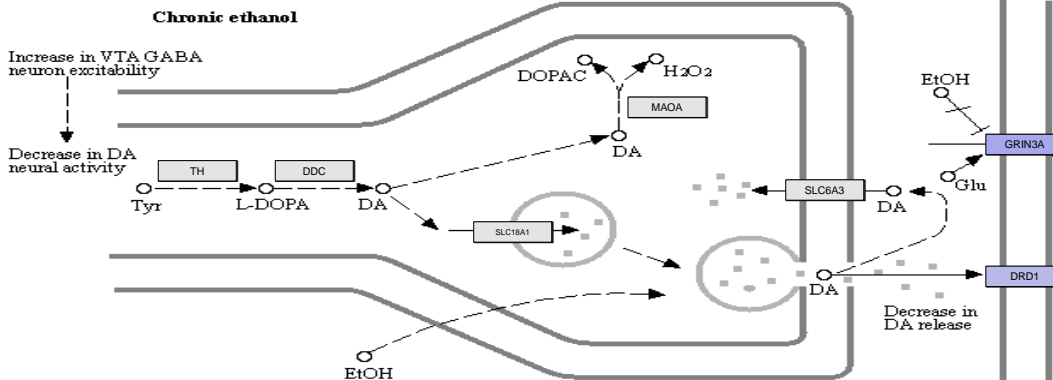
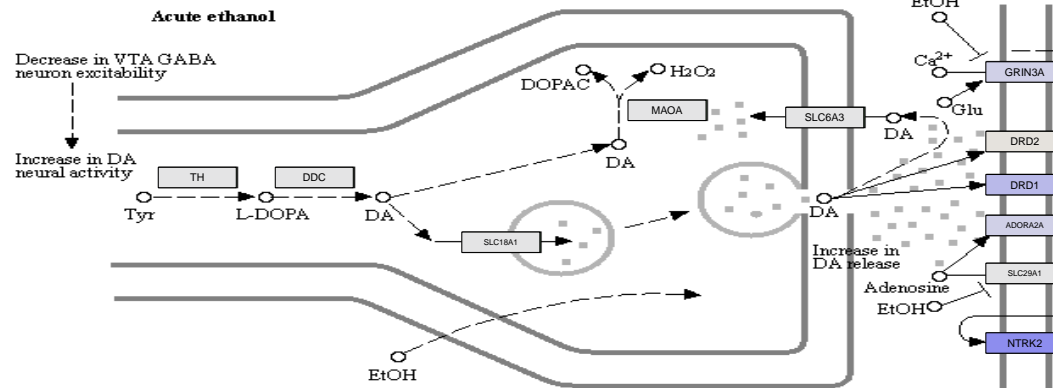
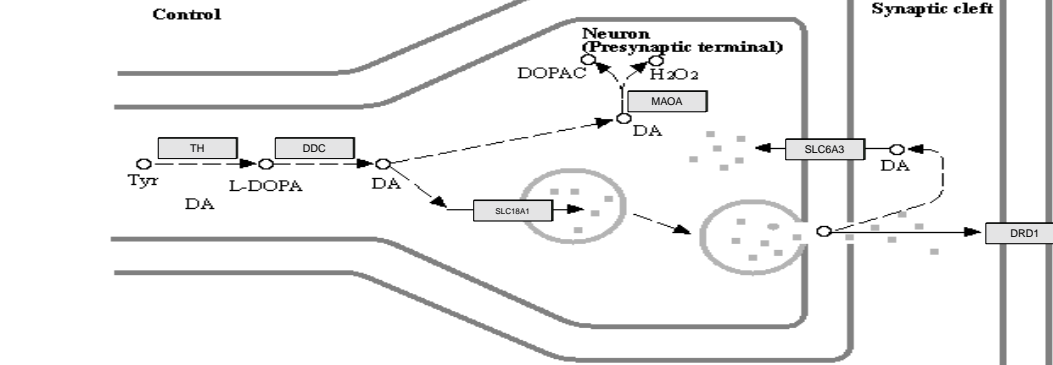
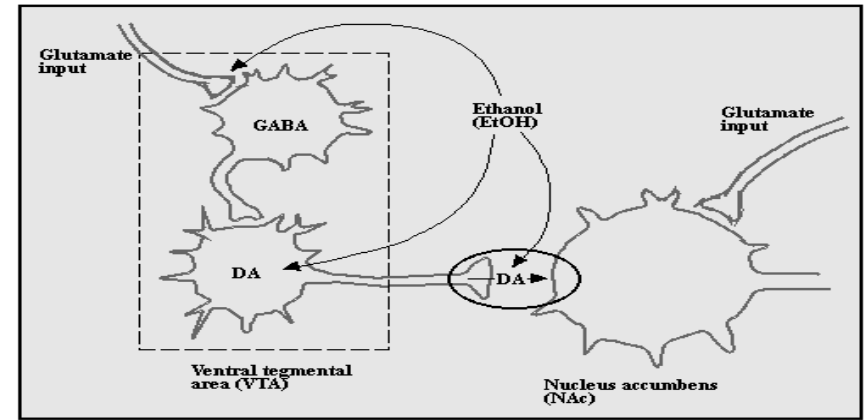
Neuron (Postsynaptic cell)



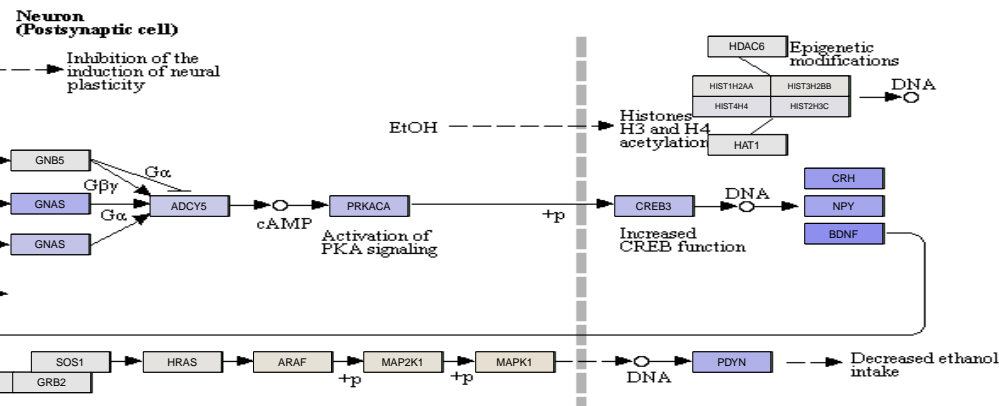
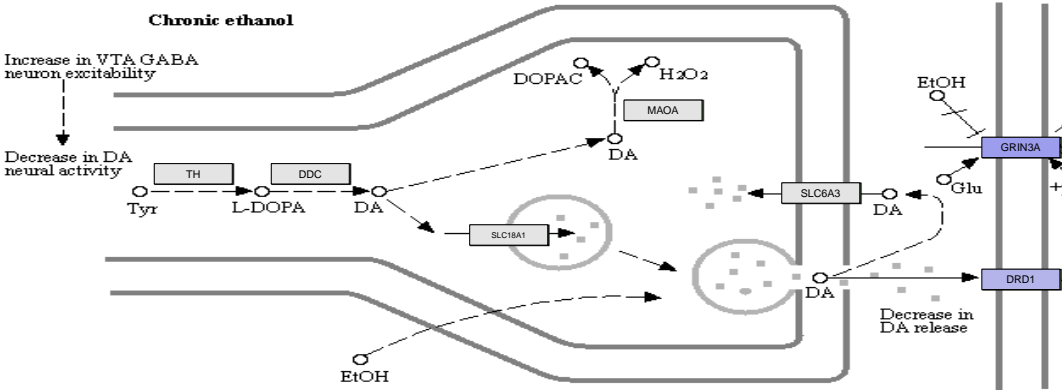
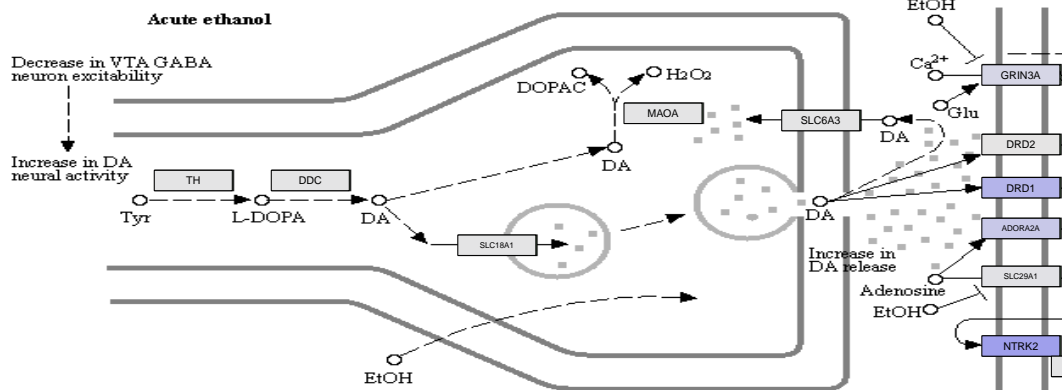
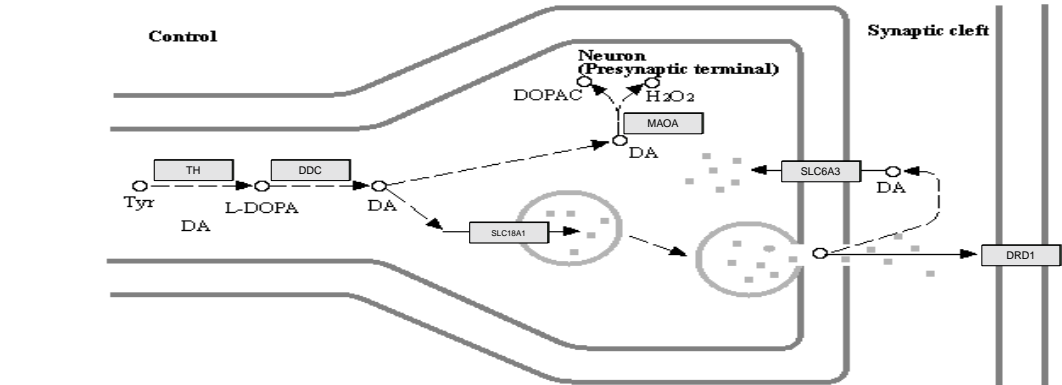
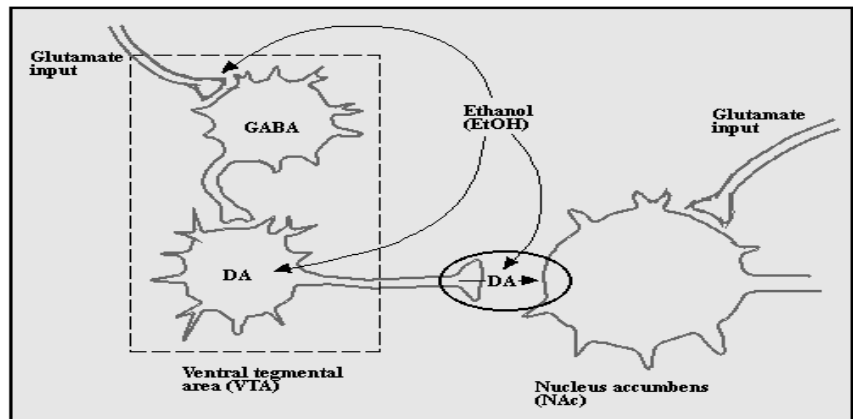
MAPK signaling pathway



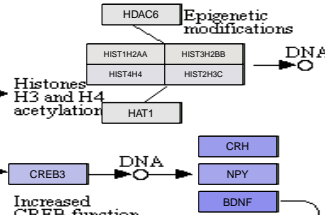
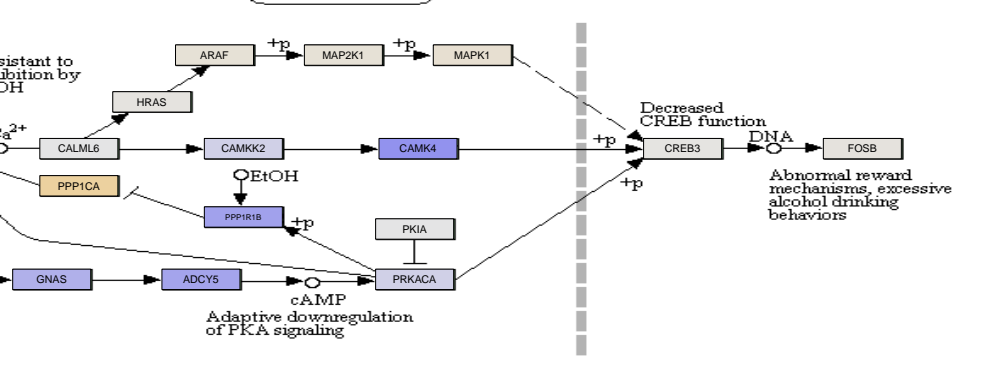
Dopaminergic
synapse



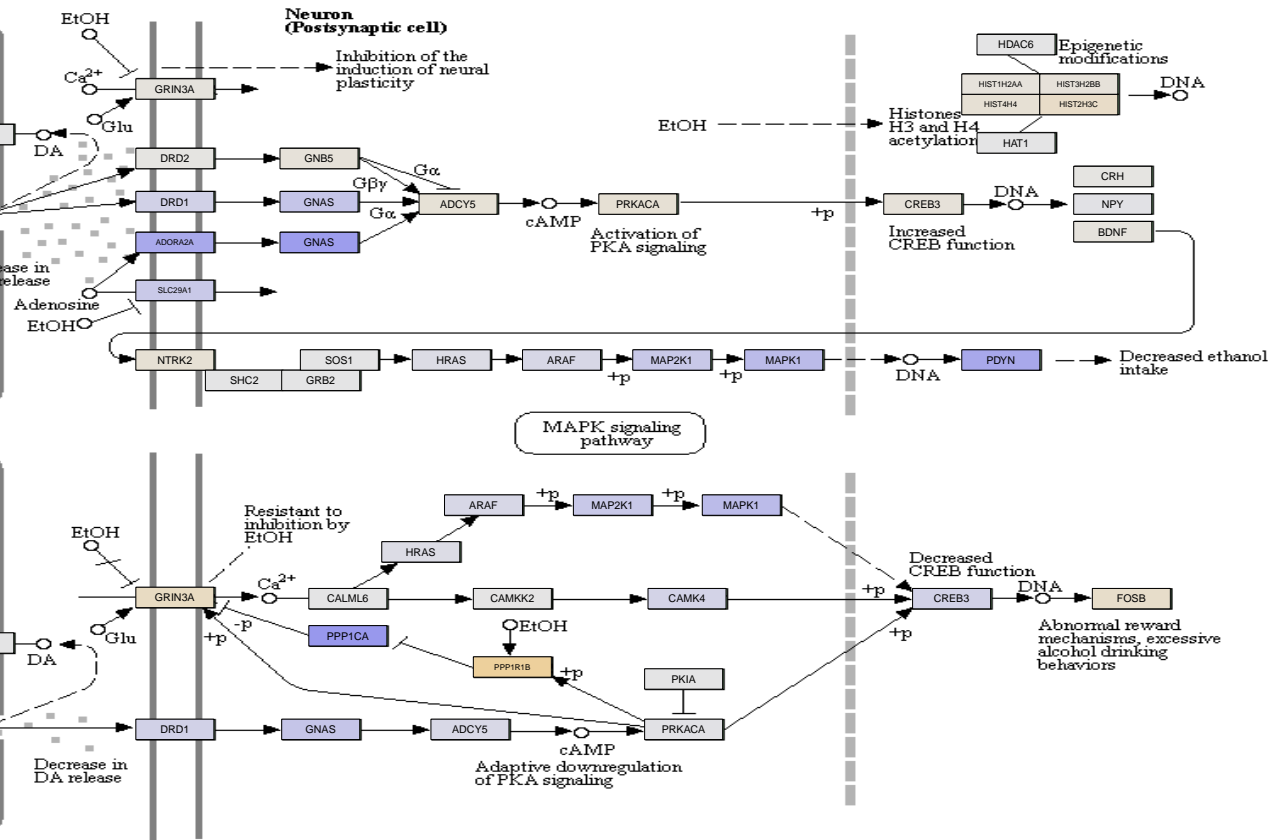
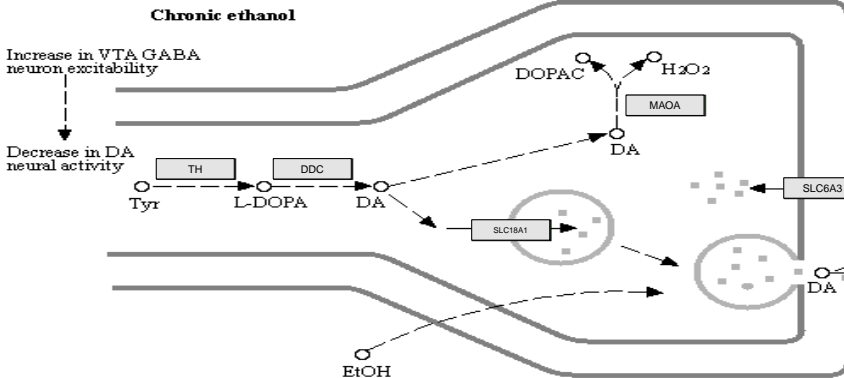
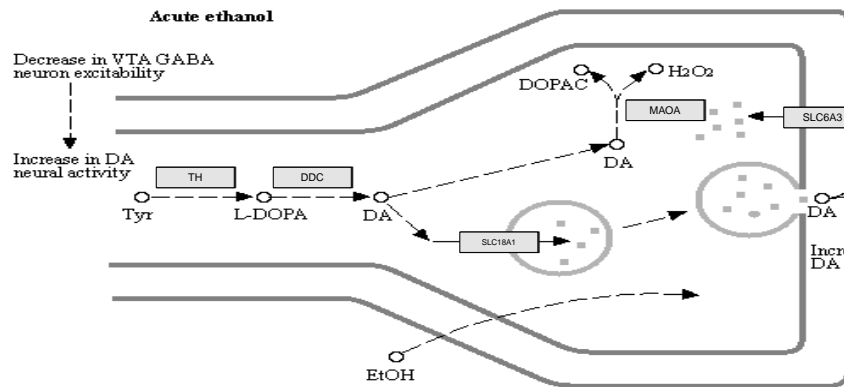
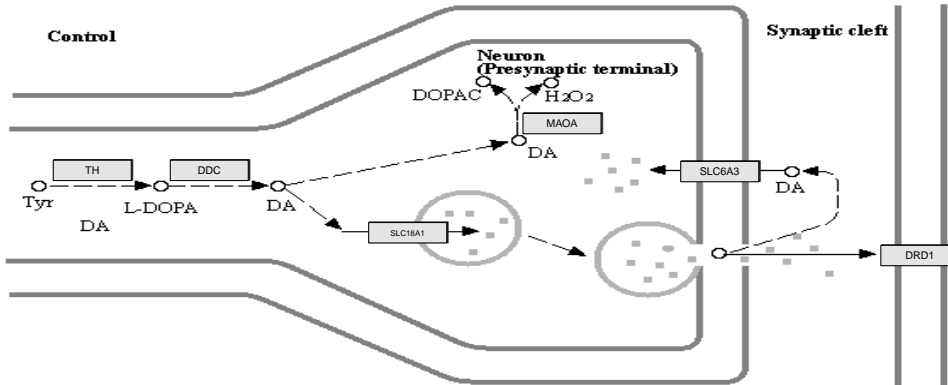
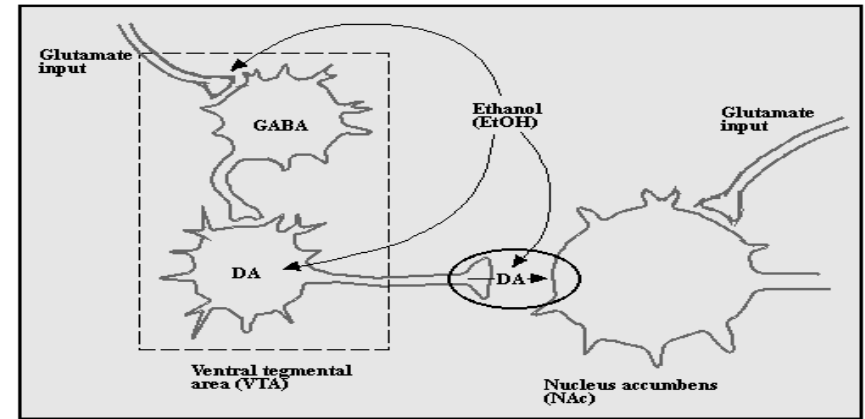
Dopaminergic synapse



MAPK signaling pathway

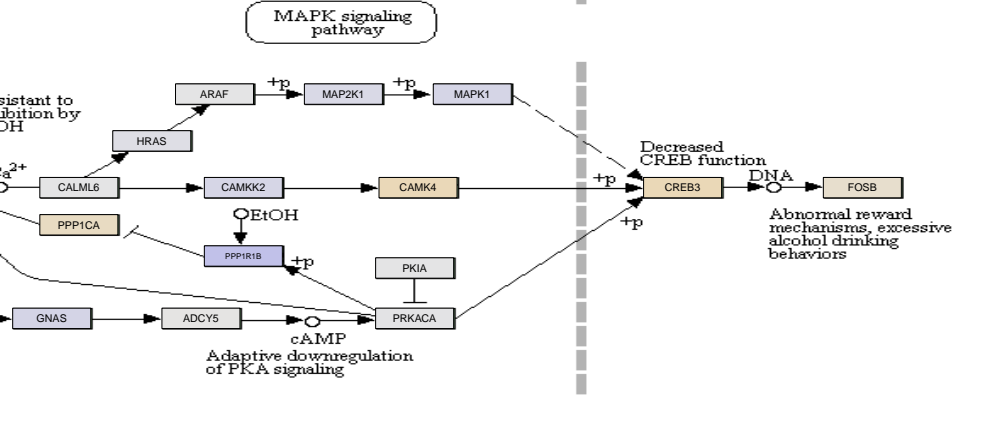
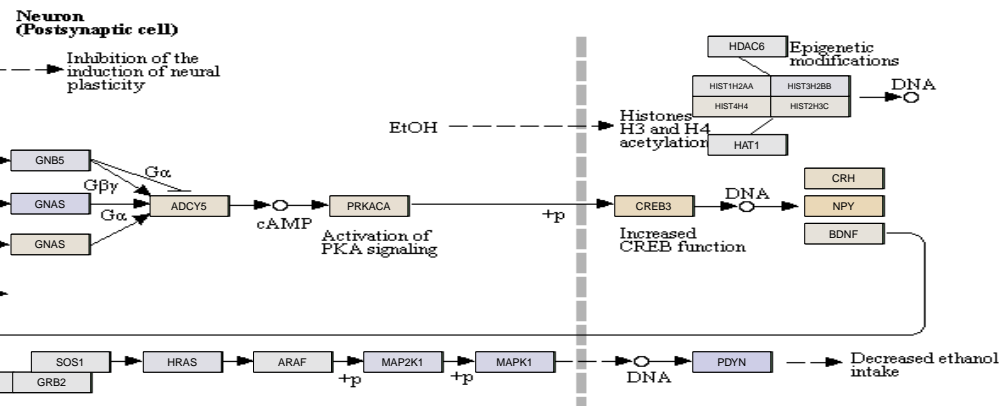
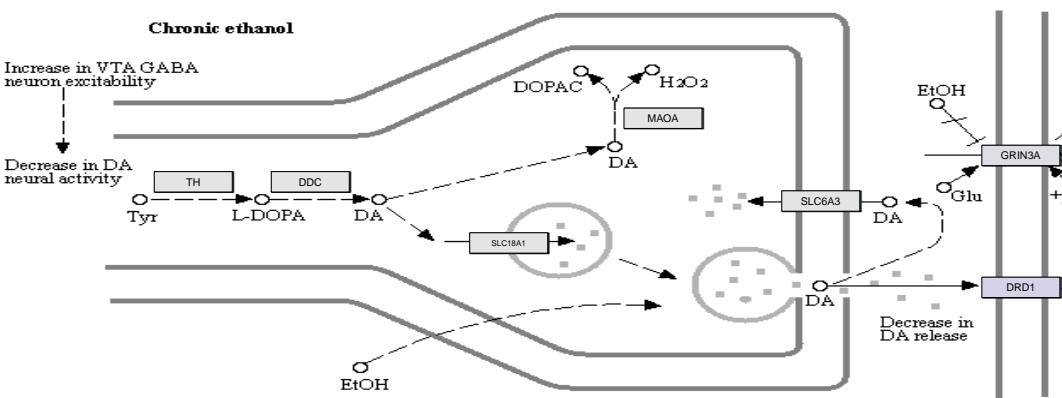
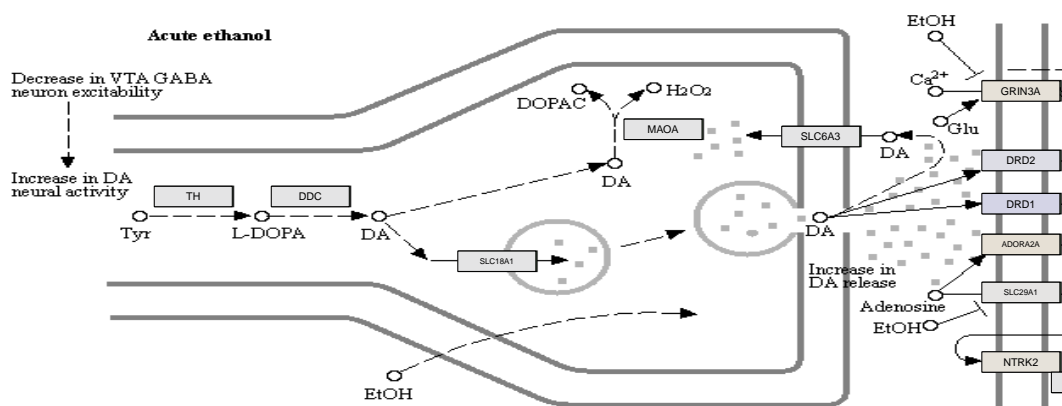
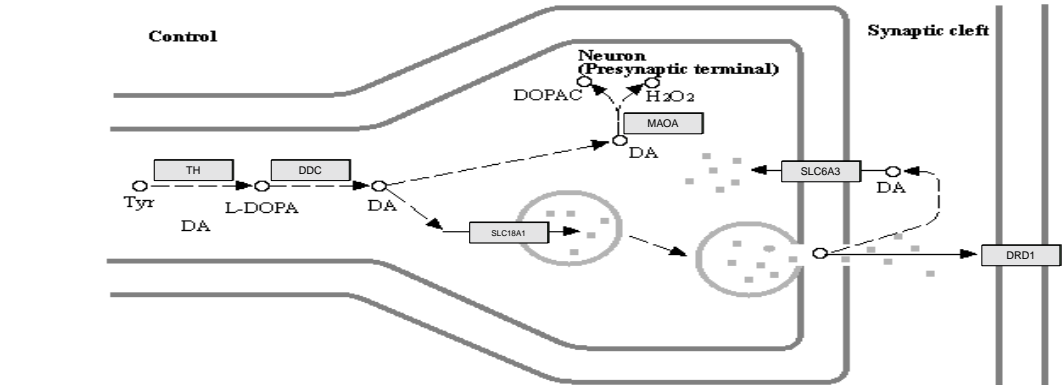
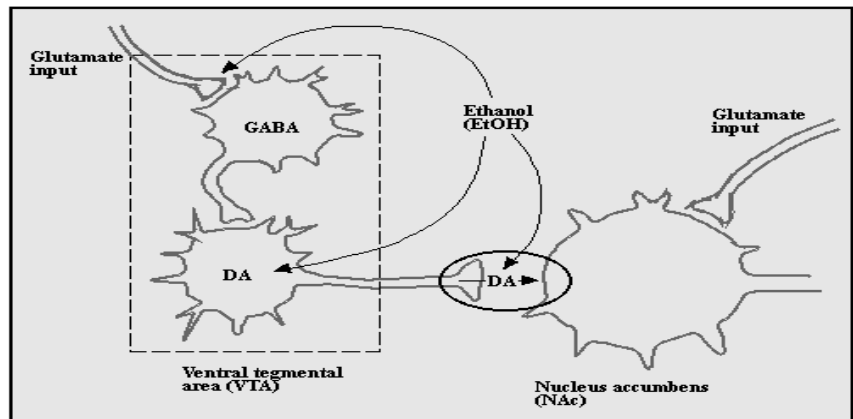


Dopaminergic synapse



MAPK signaling pathway

Dopaminergic synapse



Dopaminergic synapse

