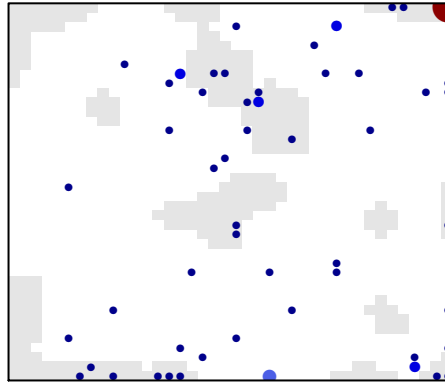
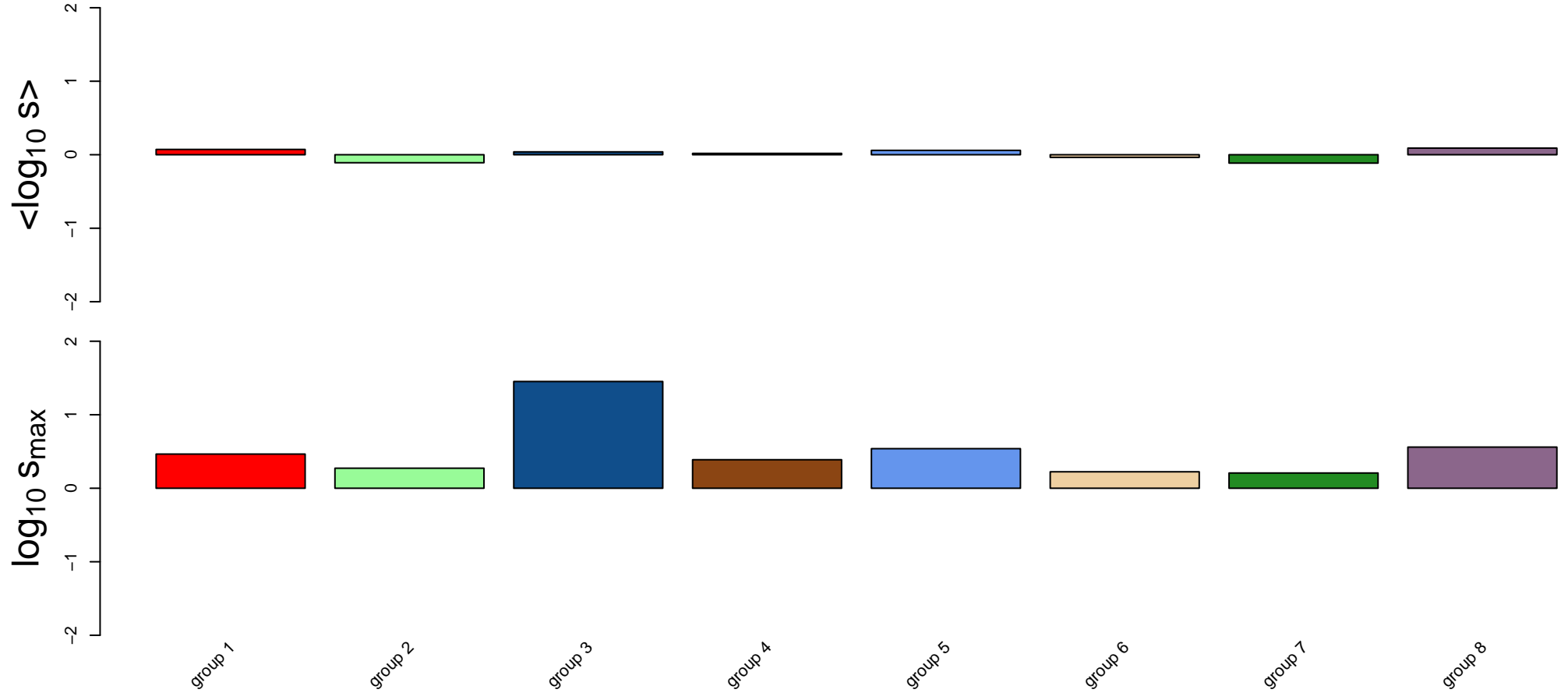
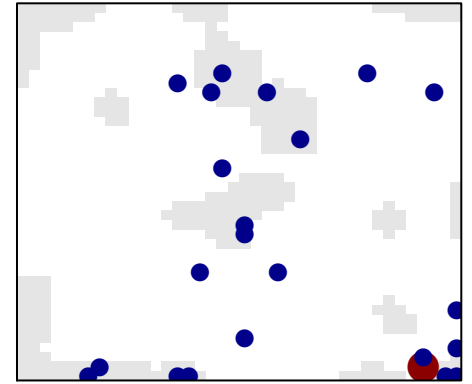


# African trypanosomiasis

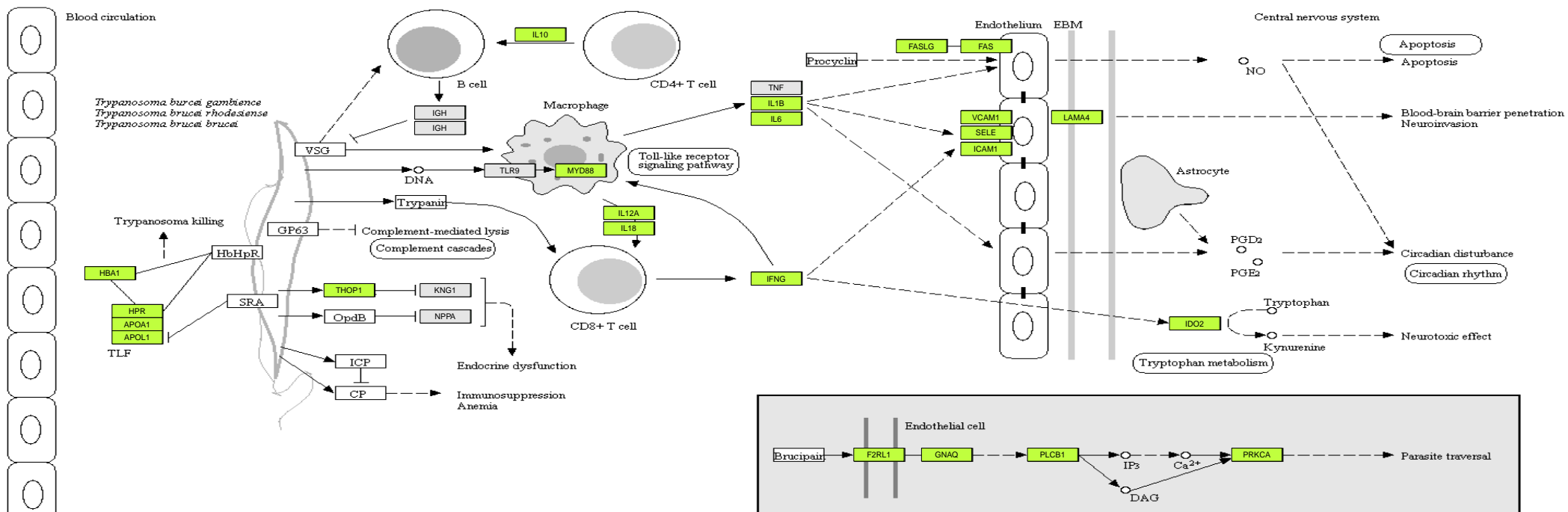
all genes



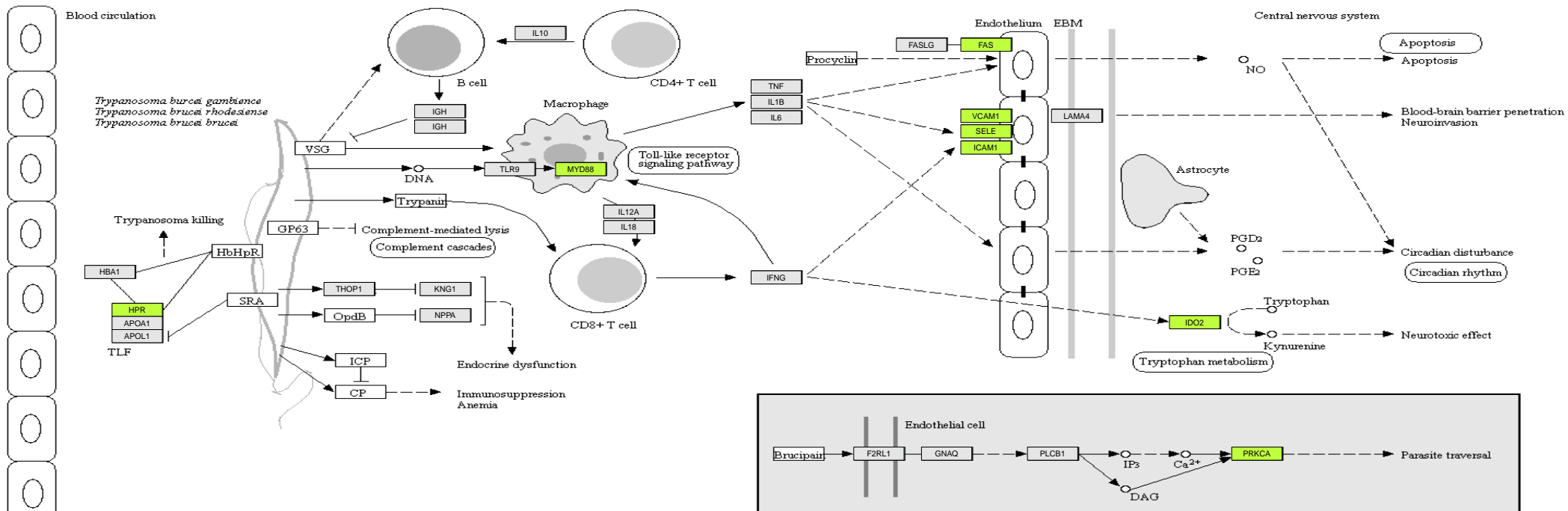
sink node genes



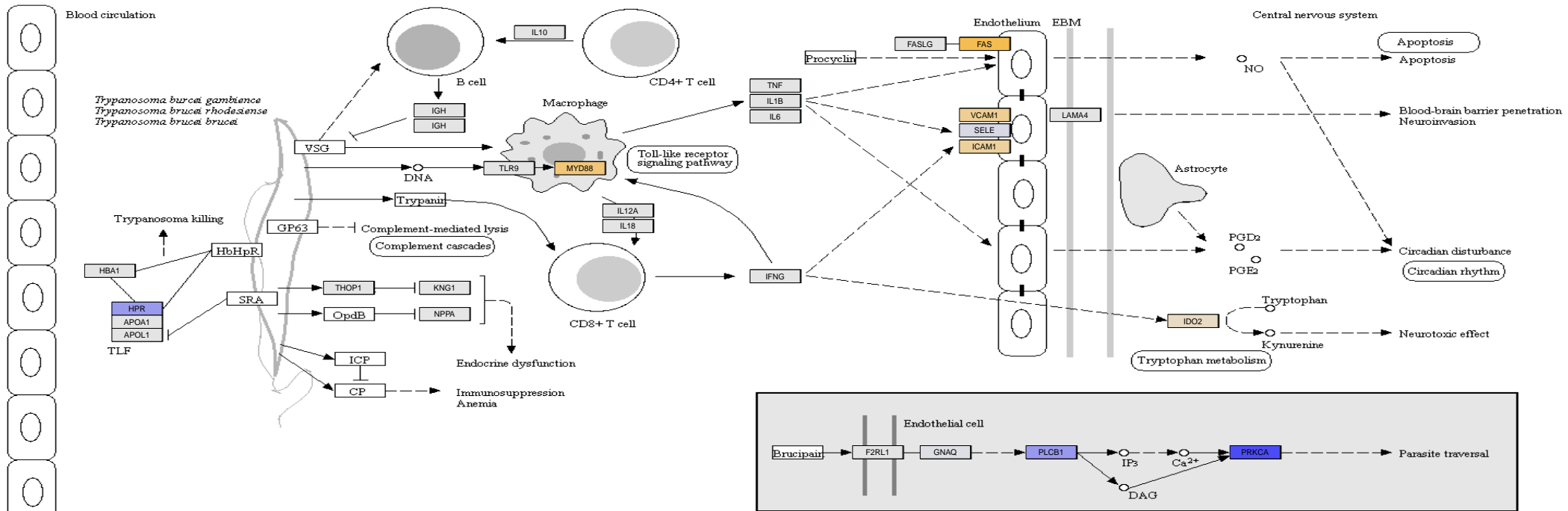
African trypanosomiasis genes with data



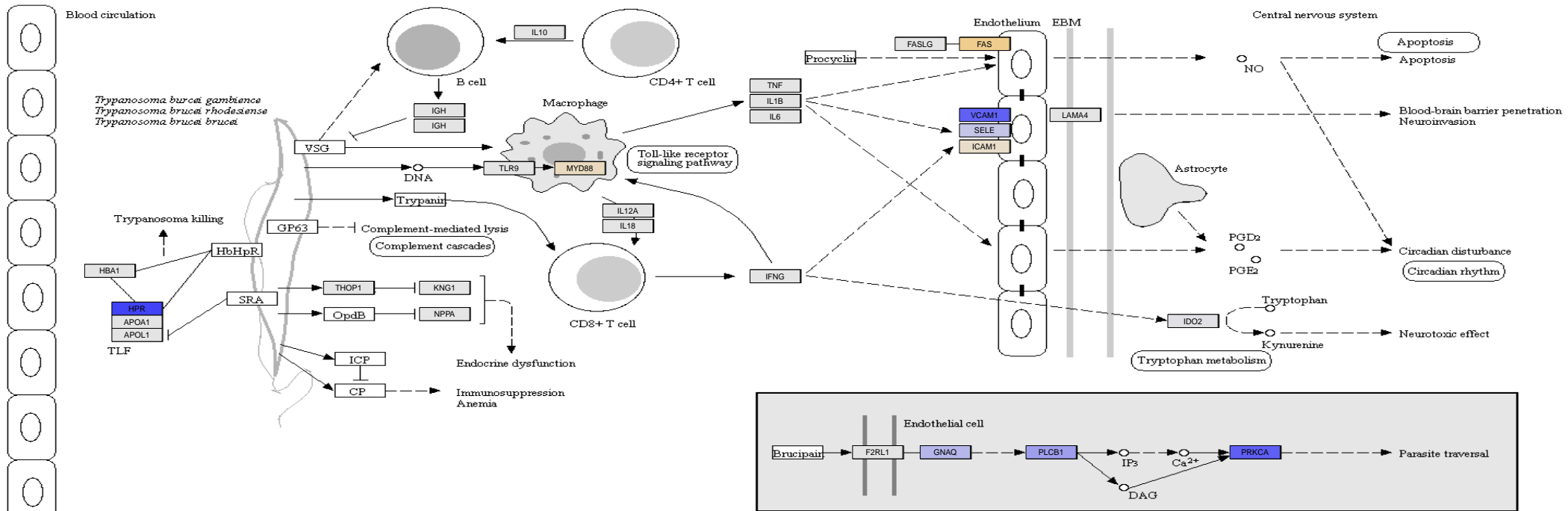
African trypanosomiasis sink nodes



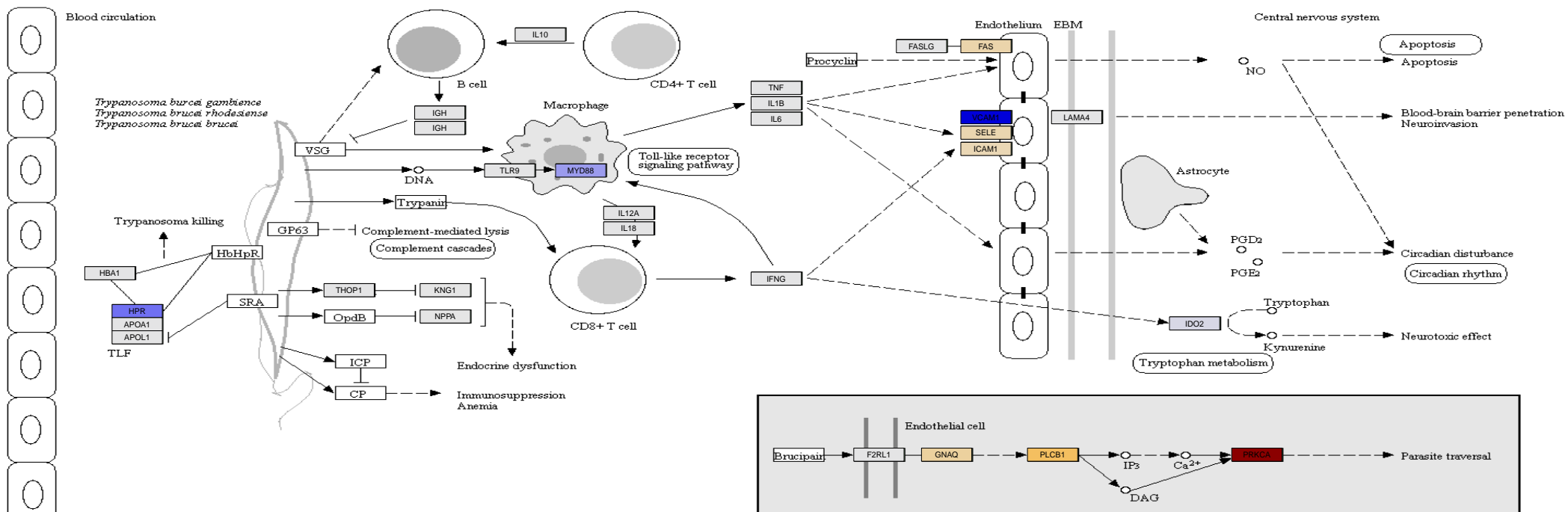
African trypanosomiasis group 1



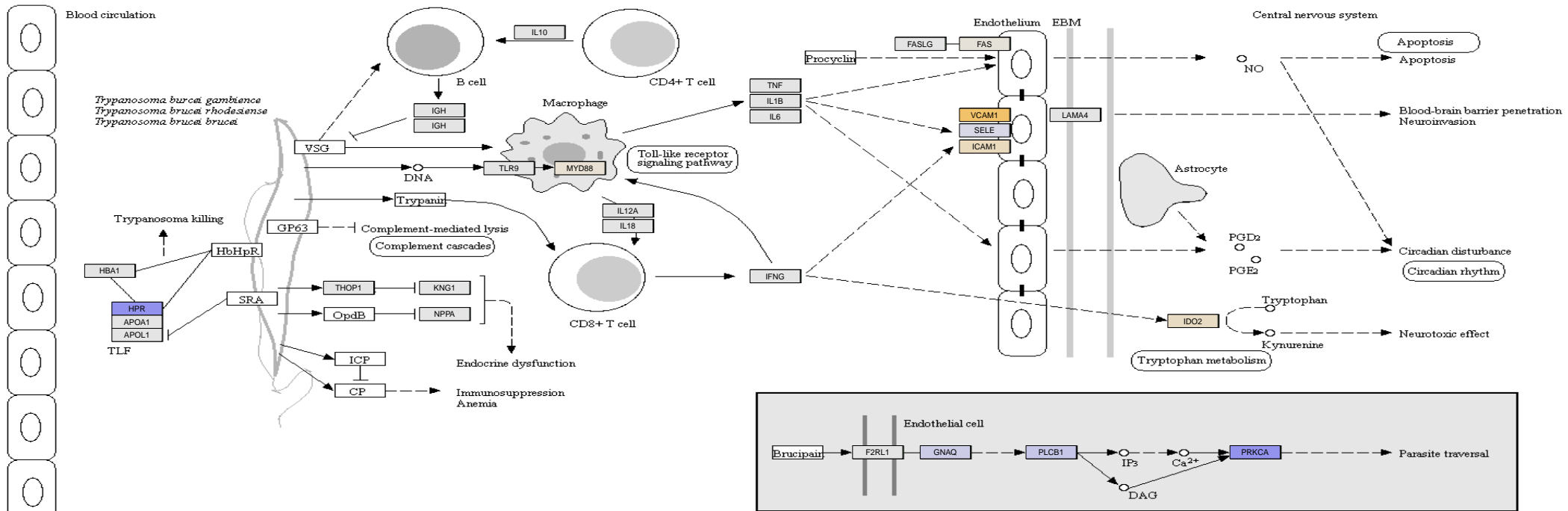
African trypanosomiasis group 2



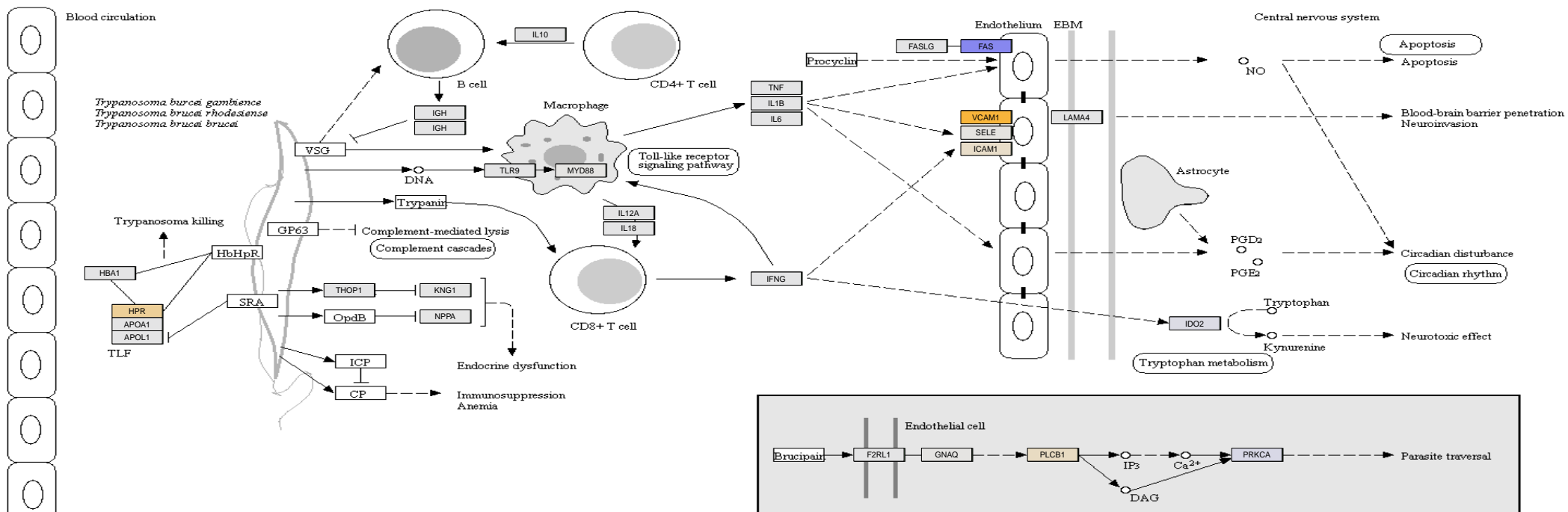
African trypanosomiasis group 3



African trypanosomiasis group 4

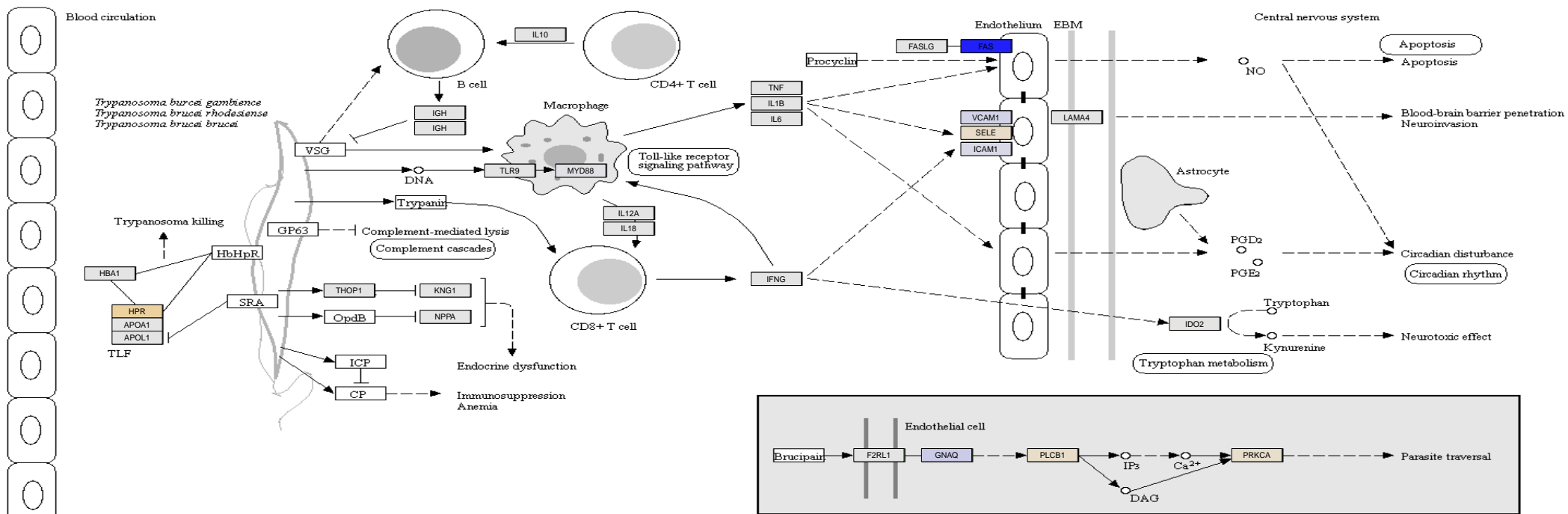


African trypanosomiasis group 5

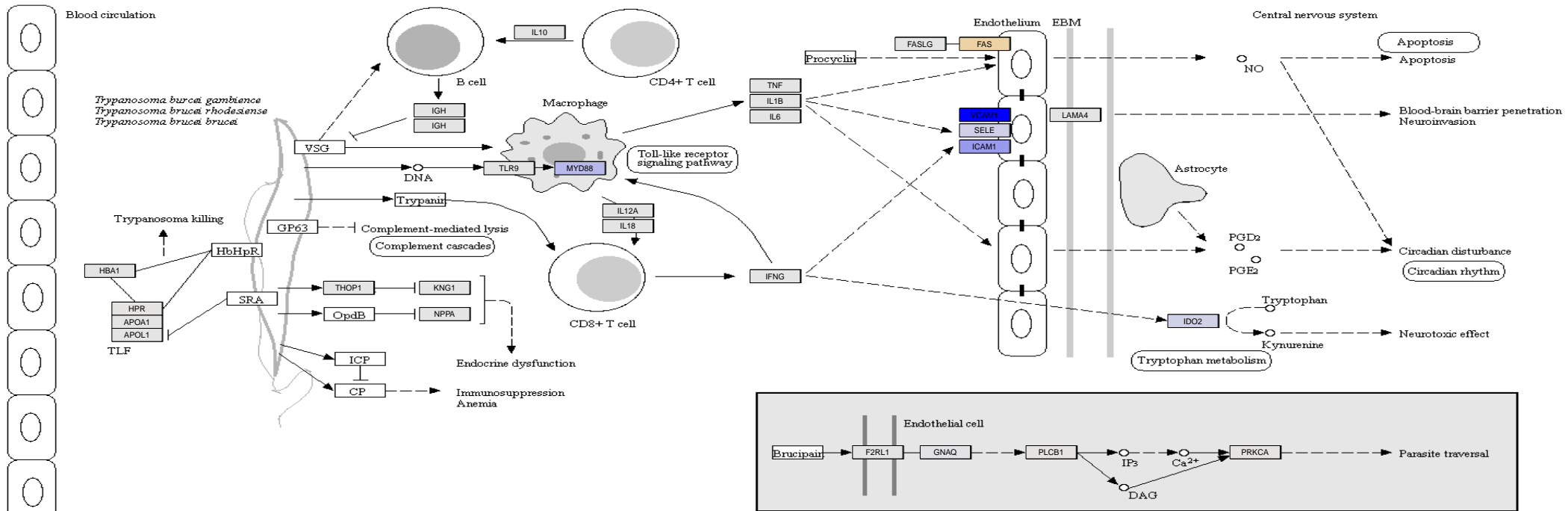




African trypanosomiasis group 6



African trypanosomiasis group 7



African trypanosomiasis group 8

