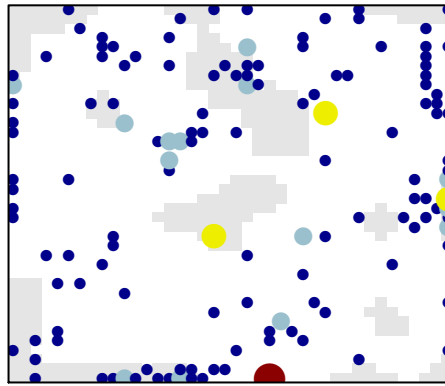
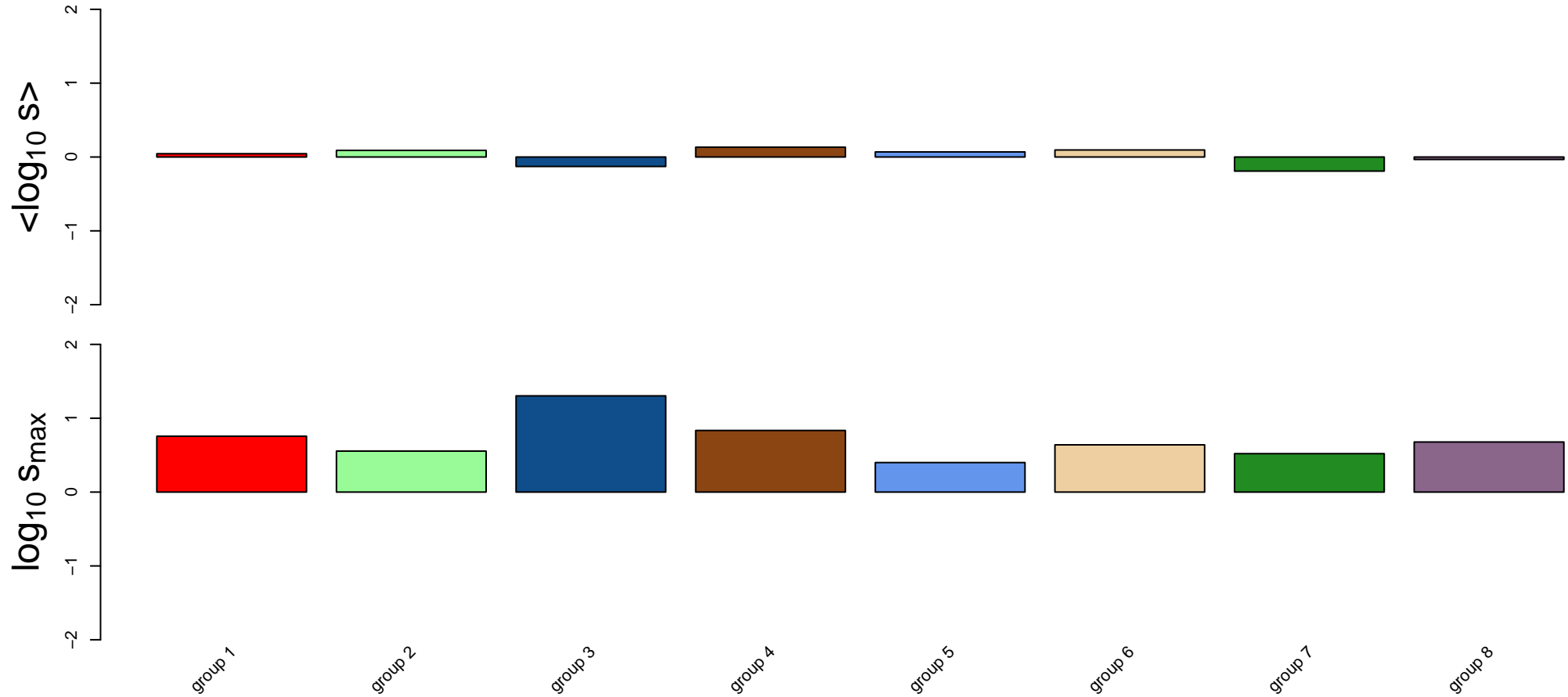
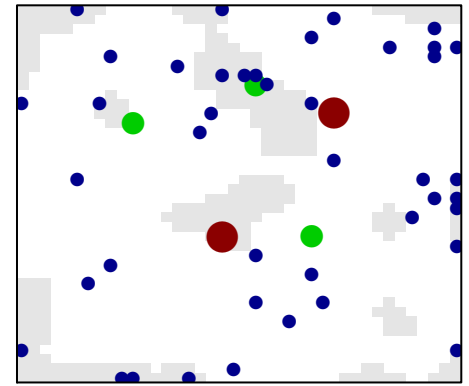


Acute myeloid leukemia

all genes



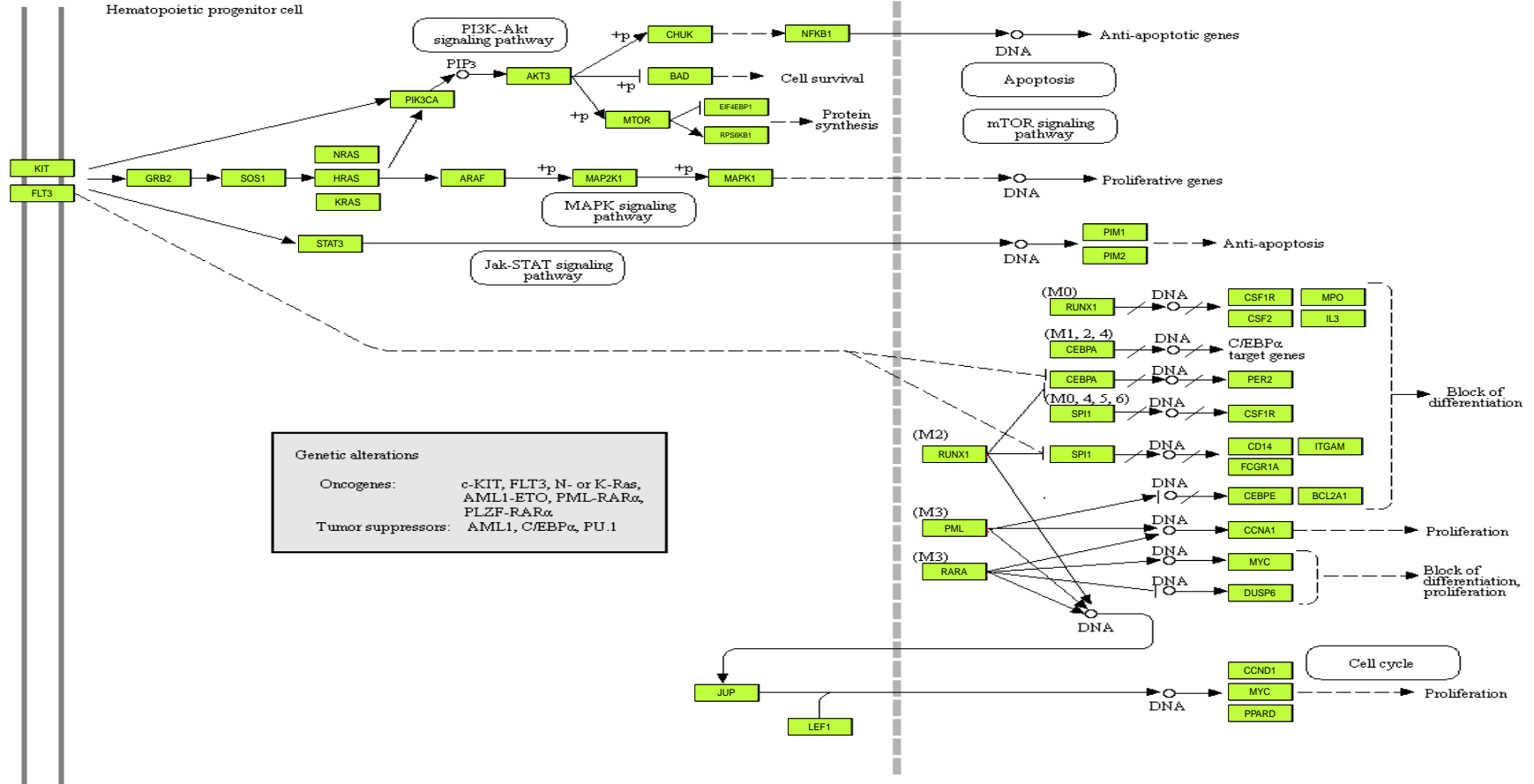
sink node genes



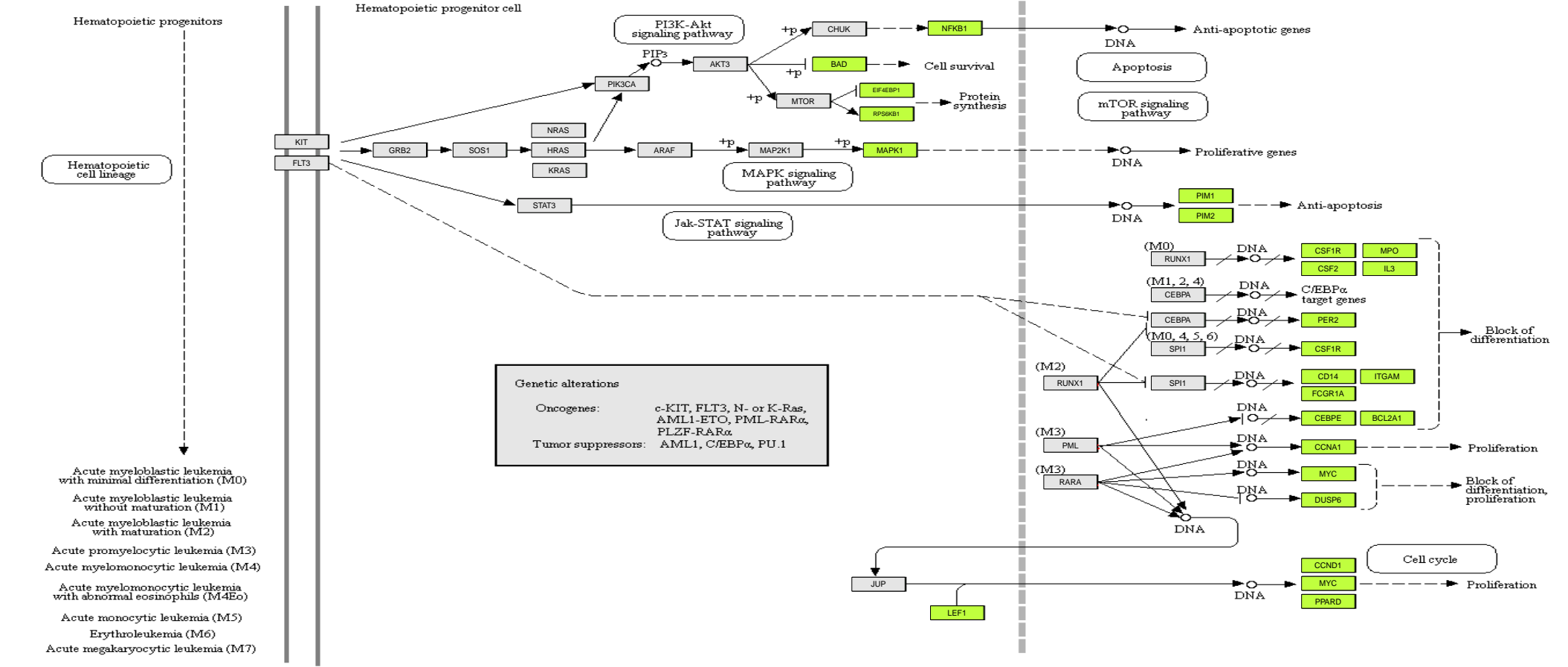
Acute_myeloid_leukemia genes with data

Hematopoietic progenitors
Hematopoietic cell lineage

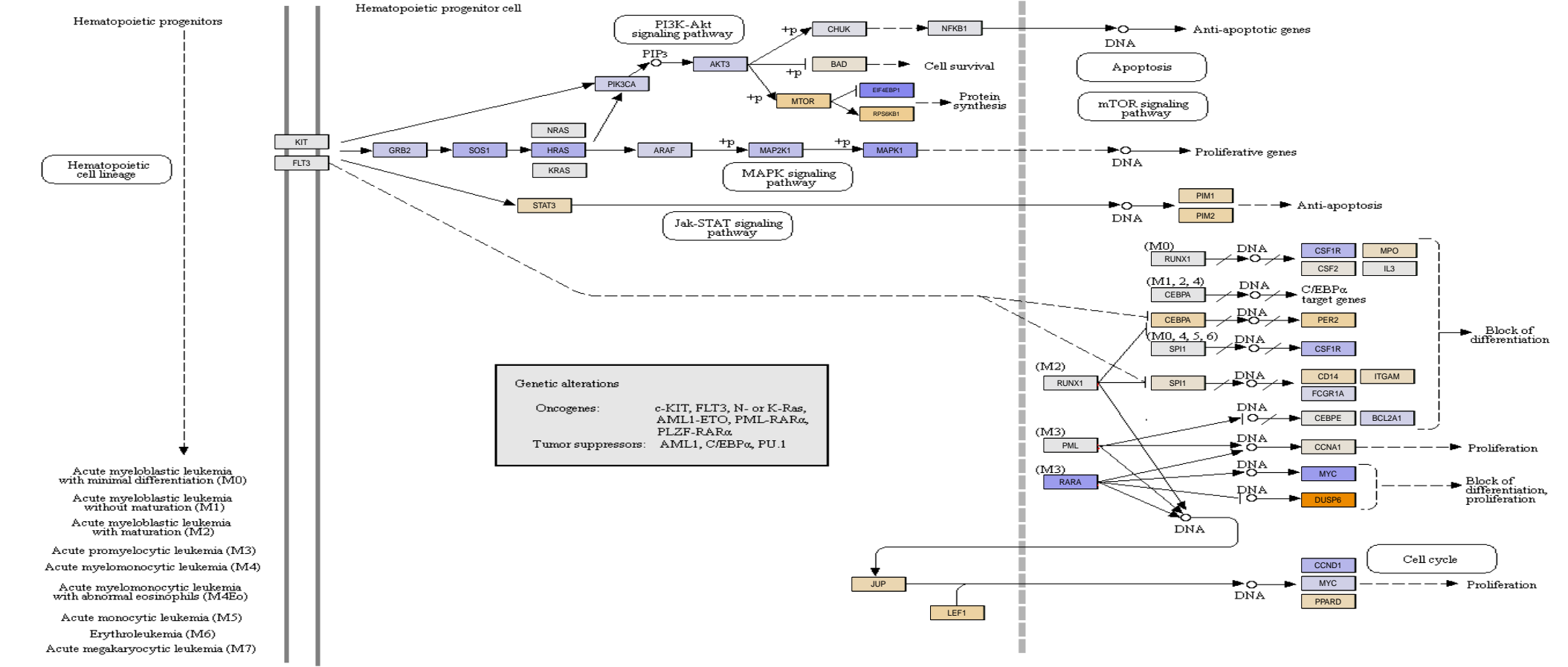
Hematopoietic progenitor cell



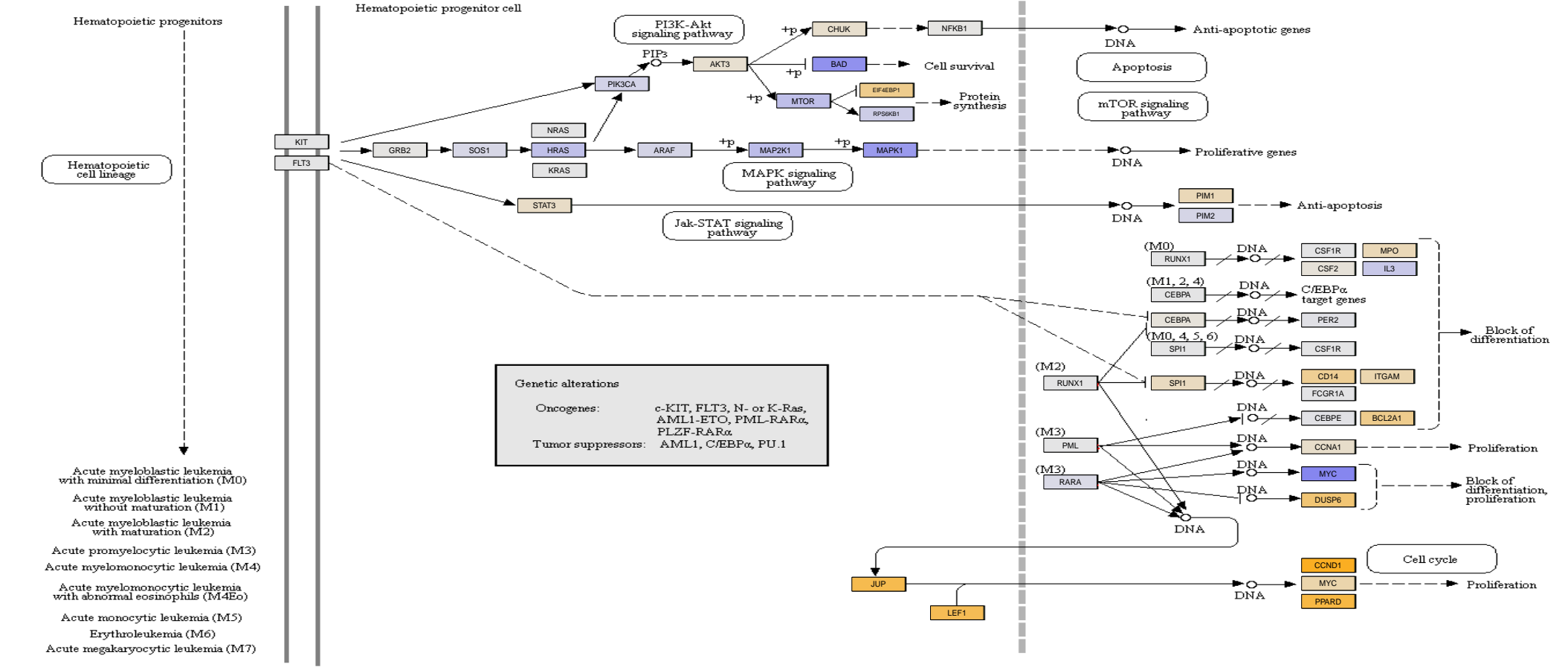
Acute_myeloid_leukemia sink nodes



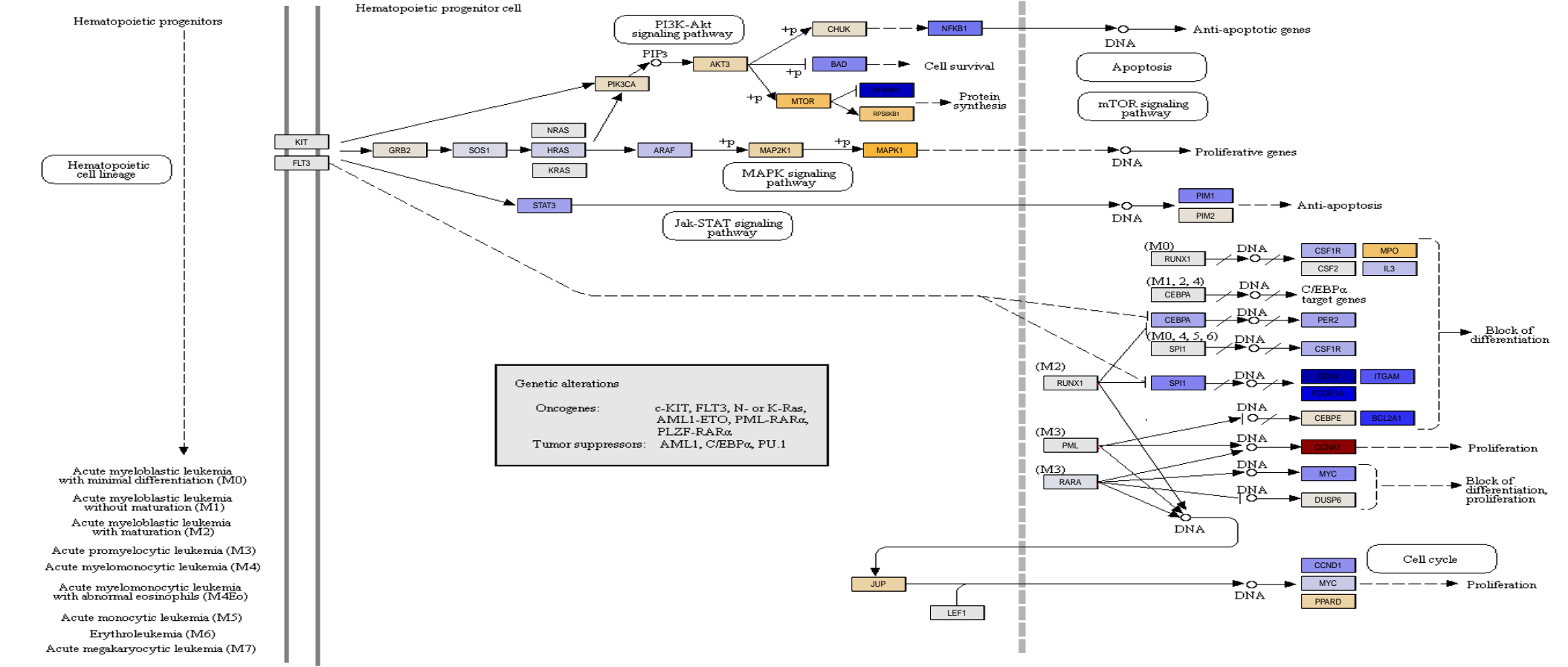
Acute_myeloid_leukemia_group_1



Acute_myeloid_leukemia_group_2



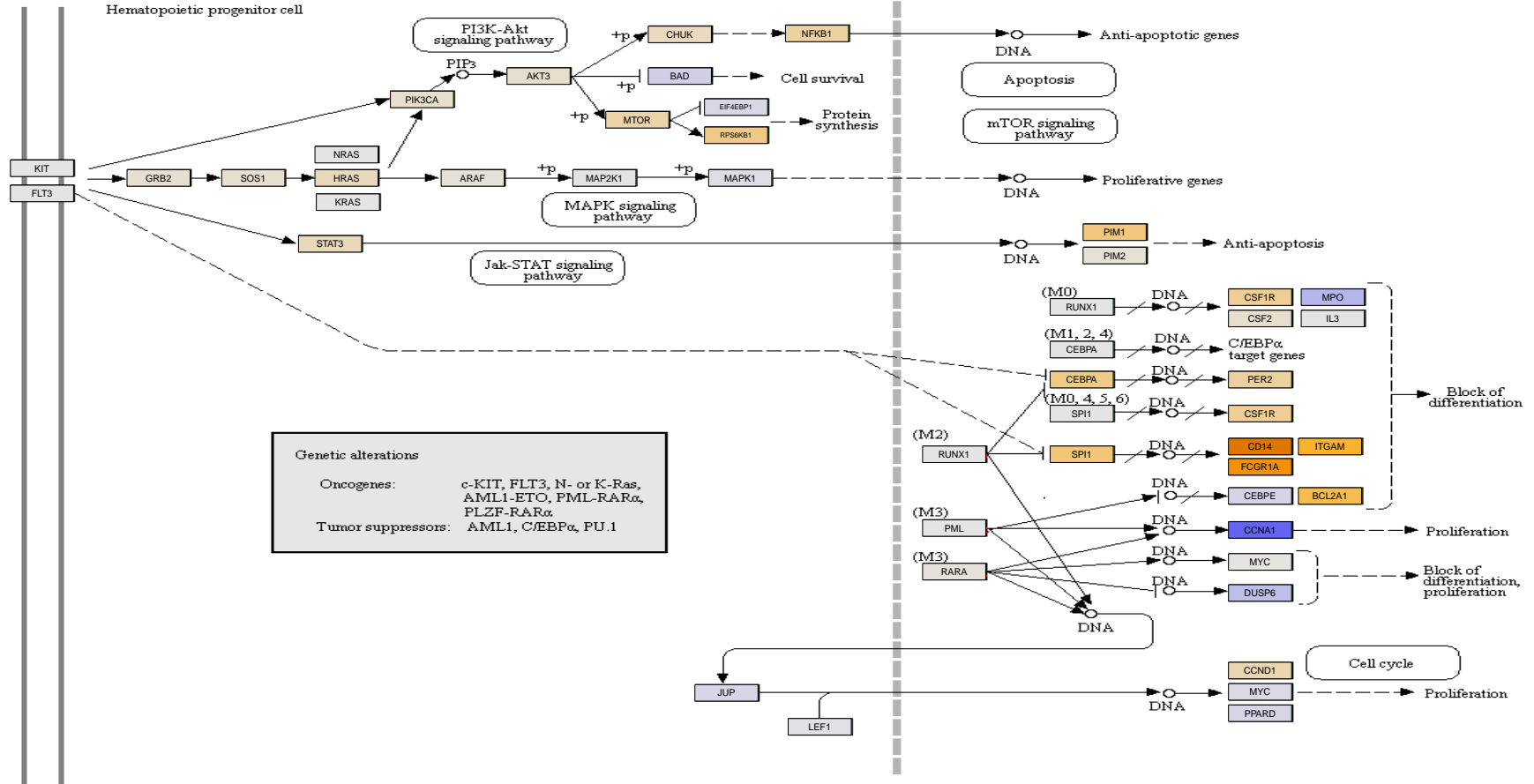
Acute_myeloid_leukemia_group_3



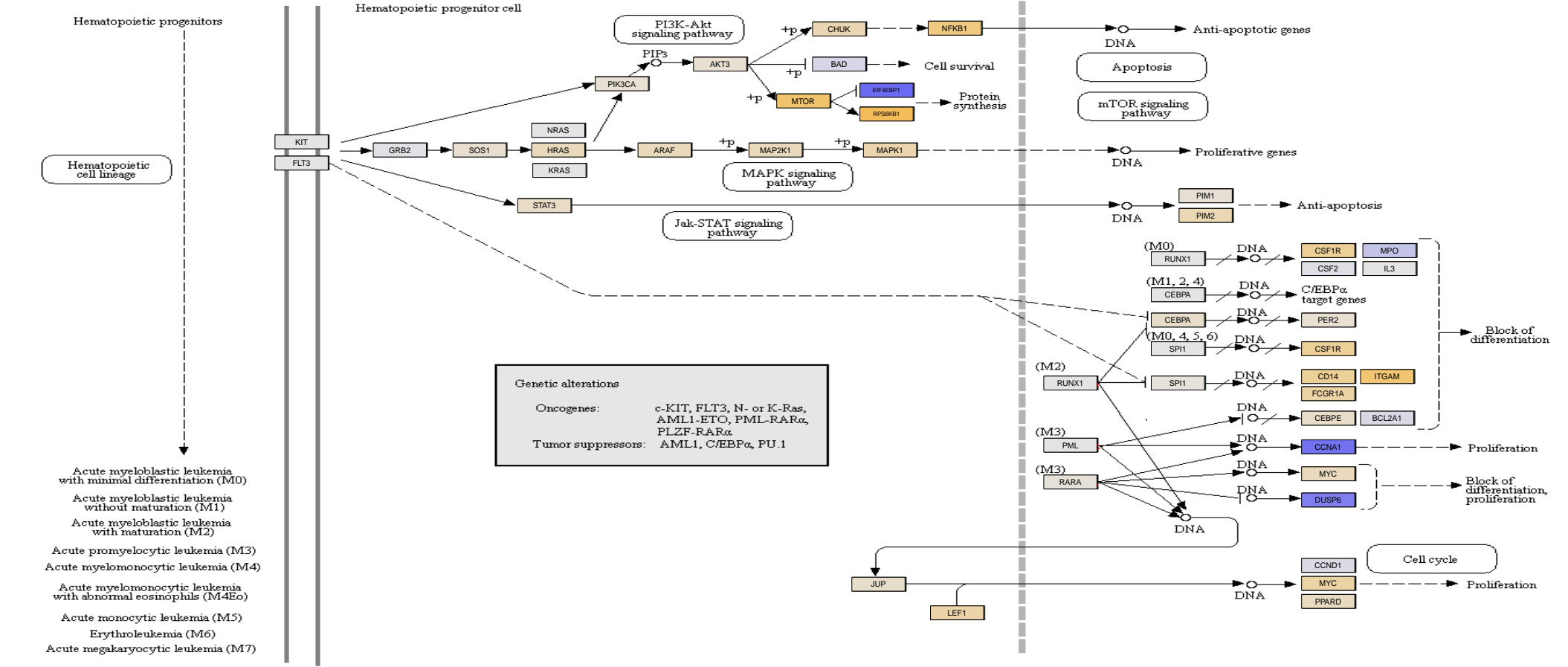
Acute_myeloid_leukemia_group_4

Hematopoietic progenitors
Hematopoietic cell lineage

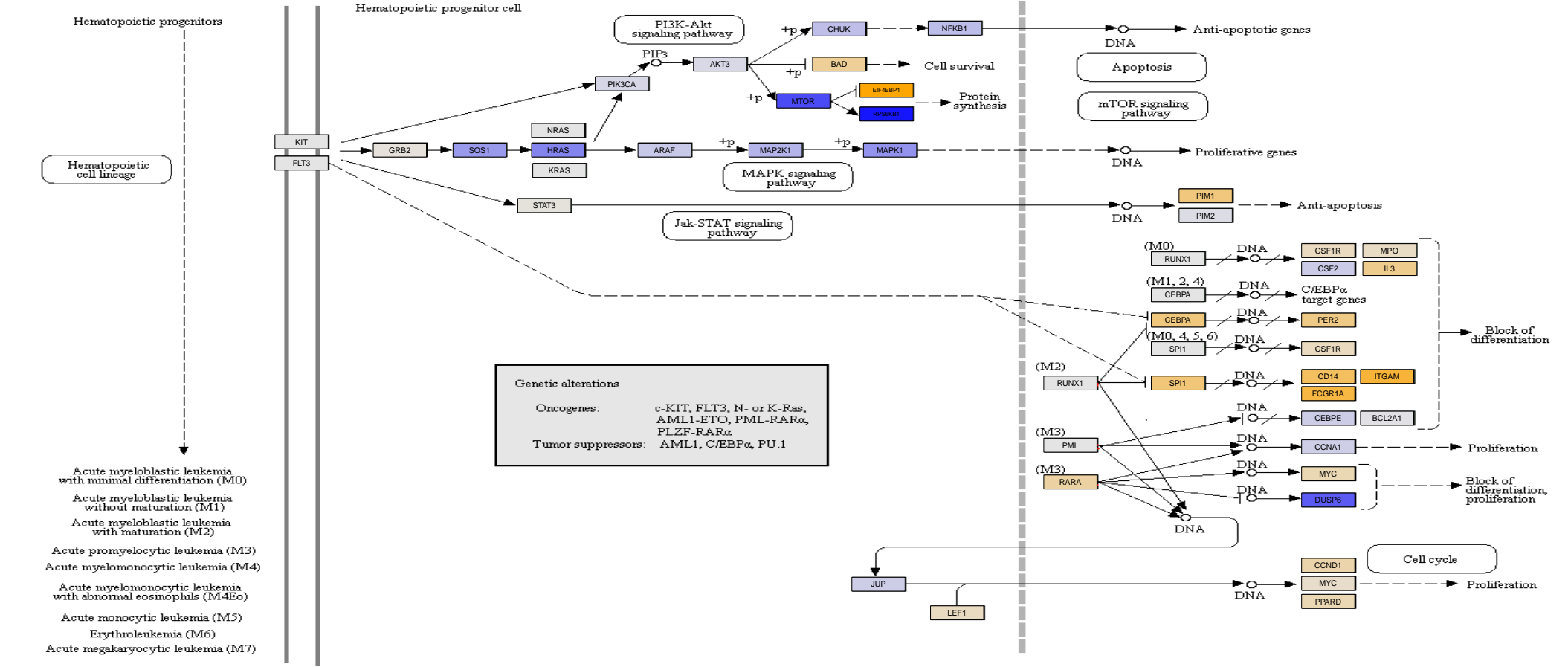
Hematopoietic progenitor cell



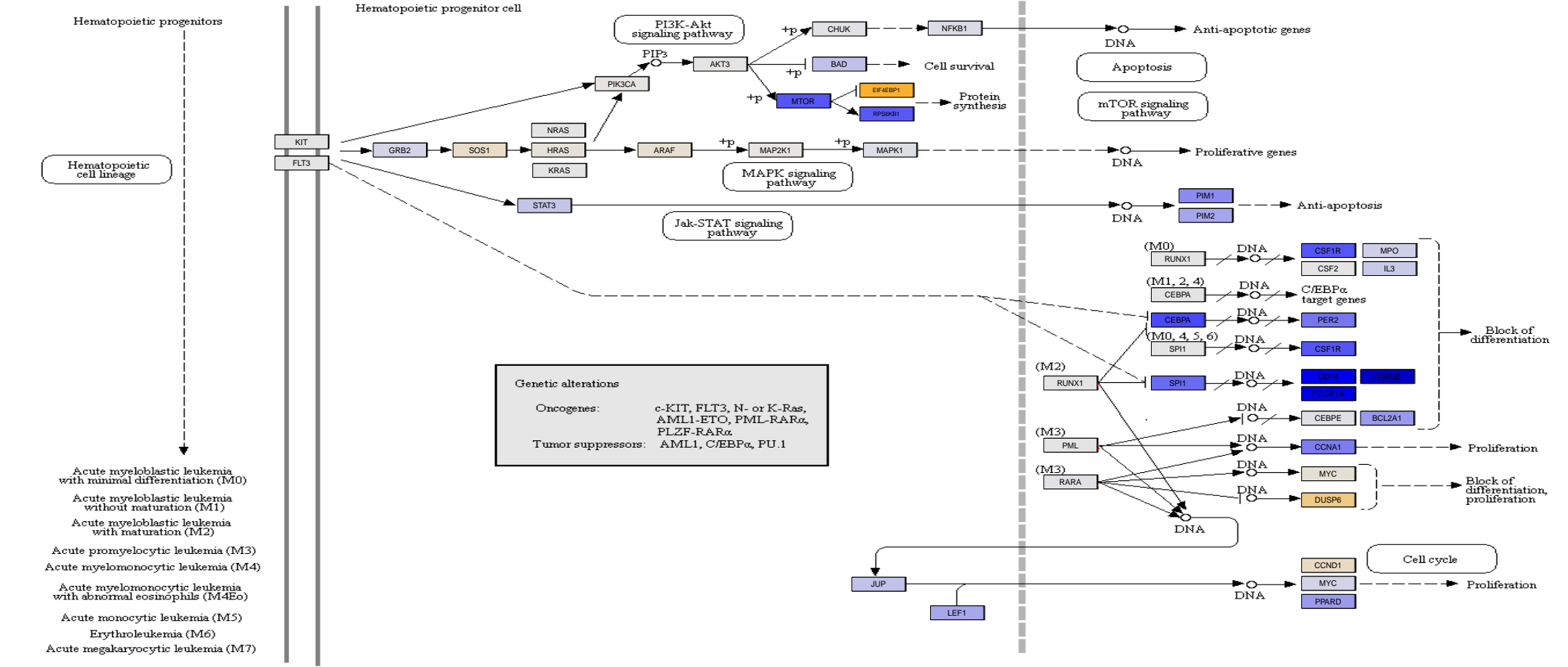
Acute_myeloid_leukemia_group.5



Acute_myeloid_leukemia_group_6



Acute_myeloid_leukemia_group 7



Acute_myeloid_leukemia_group_8

